

**PARTS  
CATALOGUE  
CATALOGUE  
DE PIÈCES DÉTACHÉES**

**F6A'01 (68R0)**

**F6B'01 (69F0)**

**F8C'01 (68T0)**

---

**YAMAHA**  
**GENUINE**  
Parts & Accessories

1Z68R-300F1

# FOREWORD

This Parts Catalogue is related to the parts for the model(s) in the below frame. When you are ordering replacement parts, please refer to this Parts Catalogue and quote both part numbers and part names correctly.

F6A'01(68R0), F6B'01(69F0), F8C'01(68T0)

1. Modifications or additions which have been made after issue of the Parts Catalogue will be announced in the Yamaha Parts News.  
It is advisable that you make necessary corrections to the Parts Catalogue according to the Yamaha Parts News.

2. Abbreviations  
The Following abbreviations are used in this Parts Catalogue.

- "UR" Use specified parts number.
- "UN" Use as many as needed.
- "AP" Alternate Parts
- "LM" Local Made  
(Parts need to be ordered locally)
- "O/S" Over Size

3. Parts, which are to be supplied in an assembly, are listed with a dot(.) in front of the part name as shown below.

**EXAMPLE**  
 CARBURETOR ASSY  
 .JET, PILOT  
 .NOZZLE, MAIN

4. Number of component for assembly  
The numeral appearing to the right of each component part indicates the quantity of parts for each assembly unit.

**EXAMPLE**

PART NO.	DESCRIPTION	w	E	E	E	REMARKS
6E0-85500-70	C.D.I. MAGNETO ASSY	1				
6E0-85550-70	.ROTOR ASSY	1				
6E0-15723-00-94.	PULLY, STARTER	1				

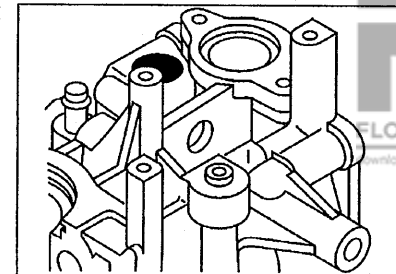
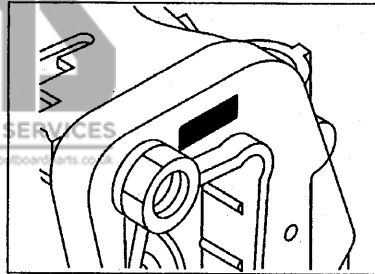
5. Quantity Column Information

NAME for Q'TY COLUMN	APPLICABLE MODEL
F6MH	F6AMH
F8MH	F8CMH
SAV	F6AMH, F6BMH, F8CMH
F8W	F8CW

6. Applicable Starting Serial No. and Color Code

1) Engine Starting Serial No.

F6AMH	S : 000974	F8CMH	S : 001068
	L : 300408		L : 300683
F6BMH	S : 200366	F8CW	S : 200101
	L : 500176		



2) Color Code

Color Code	Color Name	Abbreviation
004D	DARK BLUISH GRAY METALLIC 2	DBNM2

- 7. Note that the illustrations for reference in finding parts numbers, not to be used for assembling. When assembling, please use the applicable service manual.
- 8. The asterisk (\*) before a reference number indicates modification items after the first edition.

Ce Catalogue de pièces détachées concerne les pièces pour le(s) modèle(s) indiqué(s) dans le cadre ci-dessous. Lorsque vous commandez des pièces de rechange, veuillez vous référer à ce catalogue de pièces détachées et indiquer clairement les numéros et les noms des pièces détachées.

F6A'01 (68R0), F6B'01 (69F0), F8C'01 (68T0)

1. Les modifications ou ajouts ayant été effectués après la parution du catalogue de pièces détachées seront décrits dans les Bulletins d'information Yamaha concernant les pièces détachées. Il est recommandé que vous apportiez les corrections nécessaires au catalogue des pièces détachées en vous référant aux Bulletins d'information Yamaha.

**2. Abréviations**

Dans ce catalogue, les abréviations suivantes sont utilisées:

- "UR" Utiliser le numéro des pièces.
- "UN" Utiliser autant que nécessaire.
- "AP" Pièces de substitution
- "LM" Fabrication locale (les pièces doivent être commandées localement.)

3. Dans ce catalogue, les pièces qui sont fournies dans un ensemble sont précédées d'un point (.) de la manière indiquée ci-dessous.

**EXEMPLE**

- ENS CARBURATEUR
- .GICLEUR, ralenti
- .PUITS D'AIGUILLE

**4. Nombre de pièces composant un ensemble**

Le chiffre apparaissant à la droite de chaque description indique la quantité de pièces pour chaque ensemble de pièces.

**EXEMPLE**

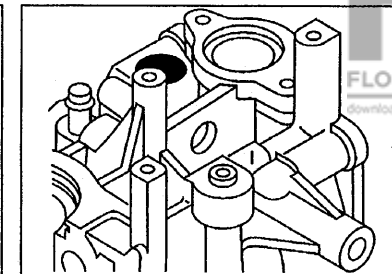
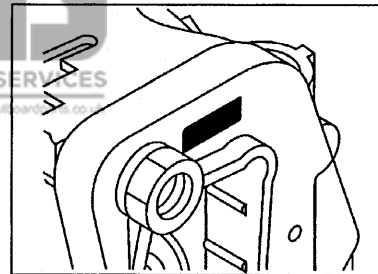
NO. PIECES	DESCRIPTION	u	u	F	u	REMARQUES
6E0-85500-70	MAGNETO C.D.I. CPLT	1				
6E0-85550-70	.ROTOR CPLT	1				
6E0-15723-00-94	..POULIE DE DEMARREUR	1				

Indication concernant la quantité	Applications modèle
F6MH	F6AMH
F8MH	F8CMH
SAV	F6AMH, F6BMH, F8CMH
F8W	F8CW

**6. Applications No de série et code couleur correspondants**

1) No. de série du moteur

F6AMH	S : 000974	F8CMH	S : 001068
	L : 300408		L : 300683
F6BMH	S : 200366	F8CW	S : 200101
	L : 500176		



2) Code couleur

Code couleur	Nom de couleur	Abréviation
004D	DARK BLUISH GRAY METALLIC 2	DBNM2

7. Veuillez noter que les illustrations sont indiquées pour référence pour trouver les numéros de pièces, non pour être utilisées lors de l'assemblage. Lors de l'assemblage, veuillez utiliser le manuel d'entretien adéquat.

8. L'astérisque (\*) placé devant un numéro de référence. indique des éléments qui ont été modifiés après la première édition.

SHEET 1/2

TOP COWLING .....	A4
CYLINDER, CRANKCASE 1 .....	A5
CRANKSHAFT, PISTON .....	A6
CYLINDER, CRANKCASE 2 .....	A7
VALVE .....	B1
INTAKE .....	B2
CARBURETOR .....	B3
OIL PUMP .....	B4
FUEL .....	B5
STARTER .....	B7
GENERATOR .....	C2
ELECTRICAL 1 .....	C3
ELECTRICAL 2 .....	C4
ELECTRICAL 3 .....	C6
STARTING MOTOR .....	C7
BOTTOM COWLING .....	D2
STEERING .....	D4
CONTROL 1 .....	D6
CONTROL 2 .....	E1
REMOTE CONTROL ATTACHMENT .....	E3
BRACKET 1 .....	E4
BRACKET 2 .....	E6
UPPER CASING .....	F1
OIL PAN .....	F2
LOWER CASING, DRIVE 1 .....	F3
LOWER CASING, DRIVE 2 .....	F6
FUEL TANK 1 .....	F7

INDEX

NUMERICAL INDEX .....	G1
-----------------------	----

SHEET 2/2

FUEL TANK 2 .....	A4*
STEERING GUIDE .....	A5*
REMOTE CONTROL BOX .....	A6*
REMOTE CONTROL ASSY .....	A7*
OPTIONAL PARTS .....	B3*
REPAIR KIT 1 .....	B5*
REPAIR KIT 2 .....	B6*
REPAIR KIT 3 .....	B7*

INDEX

NUMERICAL INDEX .....	G1*
-----------------------	-----

# TABLE DES MATIERES

Feuille 1/2

CAPOT SUPERIEUR .....	A4
CYLINDRE. CARTER 1 .....	A5
VILEBREQUIN. PISTON .....	A6
CYLINDRE. CARTER 2 .....	A7
SOUPAPE .....	B1
ADMISSION .....	B2
CARBURATEUR .....	B3
POMPE A HUILE .....	B4
CARBURANT .....	B5
DEMARREUR .....	B7
GENERATRICE .....	C2
PARTIE ELECTRIQUE 1 .....	C3
PARTIE ELECTRIQUE 2 .....	C4
PARTIE ELECTRIQUE 3 .....	C6
DEMARREUR ELECTRIQUE .....	C7
CAPOT INFERIEUR .....	D2
DIRECTION .....	D4
COMMANDE 1 .....	D6
COMMANDE 2 .....	E1
COMMANDE A DISTANCE .....	E3
SUPPORT 1 .....	E4
SUPPORT 2 .....	E6
FOURREAU .....	F1
VENTILATEUR D'HUILE .....	F2
BOITIER D'HELICE, TRANSMISSION 1 .....	F3
BOITIER D'HELICE, TRANSMISSION 2 .....	F6
RESERVOIR A CARBURANT 1 .....	F7

INDEX

INDEX NUMERIQUE .....	G1
-----------------------	----

Feuille 2/2

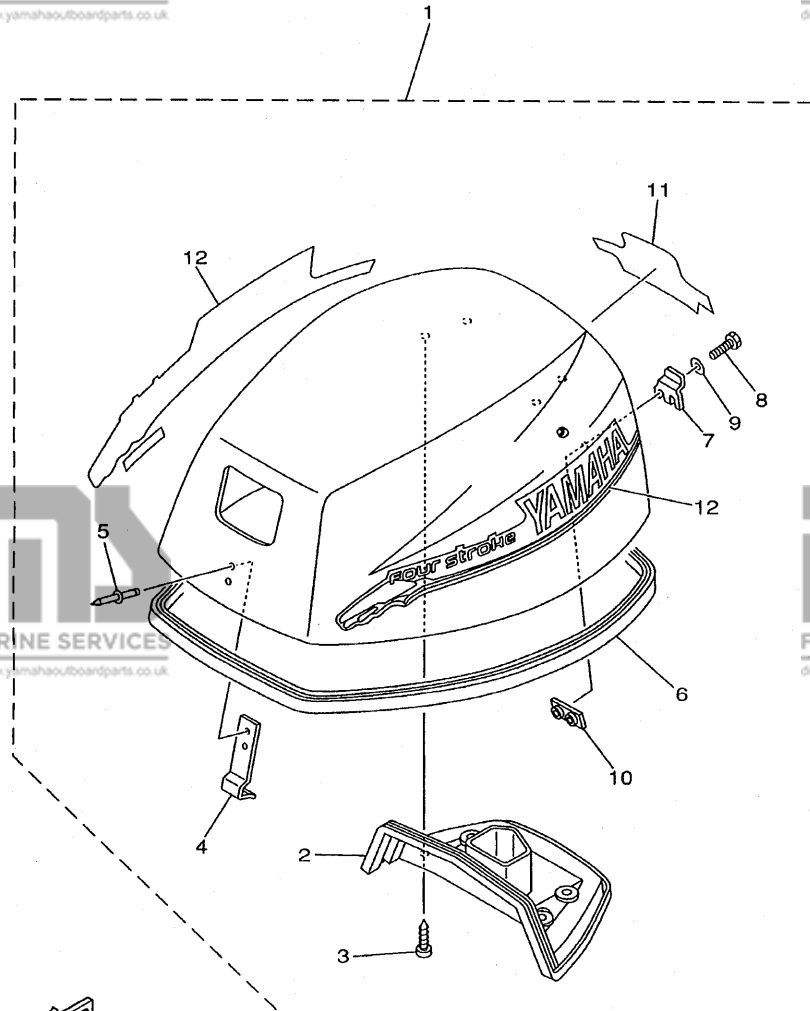
RESERVOIR A CARBURANT 2 .....	A4*
FIXATION DE DIRECTION .....	A5*
BOITIER DE COMMANDE A DISTANCE .....	A6*
BOITIER DE COMMANDE A DISTANCE .....	A7*
PIECES OPTIONNELLES .....	B3*
KITS DE REPARATION 1 .....	B5*
KITS DE REPARATION 2 .....	B6*
KITS DE REPARATION 3 .....	B7*

INDEX

INDEX NUMERIQUE .....	G1*
-----------------------	-----

**FIG. 1 TOP COWLING**

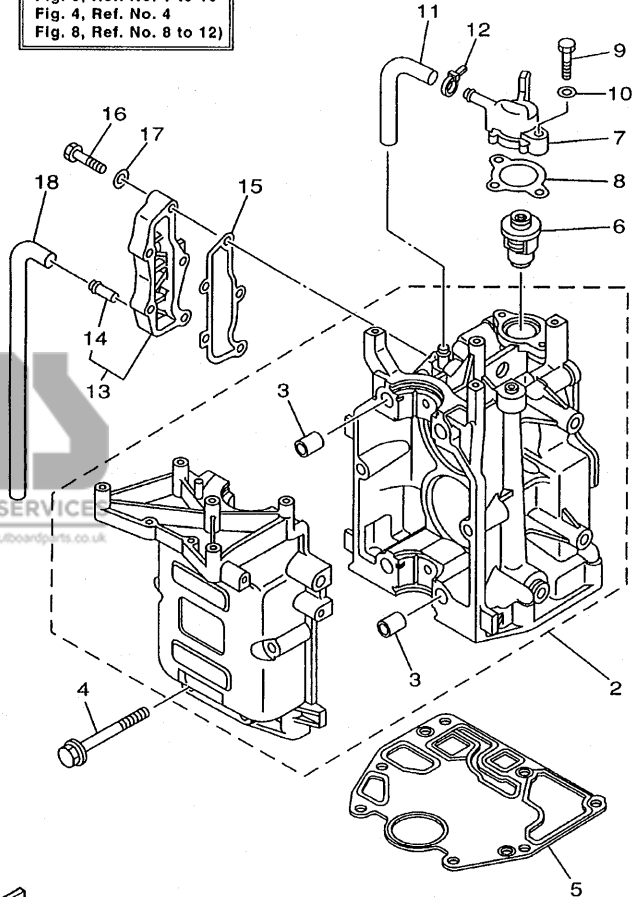
**CAPOT SUPERIEUR**



68R0010-0010

REF. NO.	PART NO. NO. PIECES	DESCRIPTION DESCRIPTION	F6MH	F8MH	SAV	F8W	REMARKS REMARQUES
1	68R-42610-50-4D	TOP COWLING ASSY CAPOT (ENS.)	1		1		F6A,F6B
	68T-42610-50-4D	TOP COWLING ASSY CAPOT (ENS.)		1	1	1	F8C
2	68T-42613-00	.MOLDING, AIR DUCT .MANCHON A AIR	1	1	1	1	
3	97780-60516	.SCREW, TAPPING .VIS, TETE FRAISEE	4	4	4	4	
4	6G1-42651-02	.HOOK .CROCHET	1	1	1	1	
5	90266-04M04	.RIVET .RIVET	2	2	2	2	
6	68T-42615-00	.SEAL .JOINT	1	1	1	1	
7	68T-42652-00	.HOOK .CROCHET	1	1	1	1	
8	97095-05016	.BOLT .BOULON	2	2	2	2	
9	92995-05600	.WASHER .RONDELLE	2	2	2	2	
10	68T-42649-00	.HOLDER, CLAMP BAND .SUPPORT, SANDOW DE SERRAGE	1	1	1	1	
11	68R-42678-10	.GRAPHIC, REAR .ADHESIF, ARRIERE	1		1		F6A,F6B
	68T-42678-10	.GRAPHIC, REAR .ADHESIF, ARRIERE		1	1	1	F8C
12	68T-W0070-50	.GRAPHIC SET .JEU DIEMBLEMES	1	1	1	1	

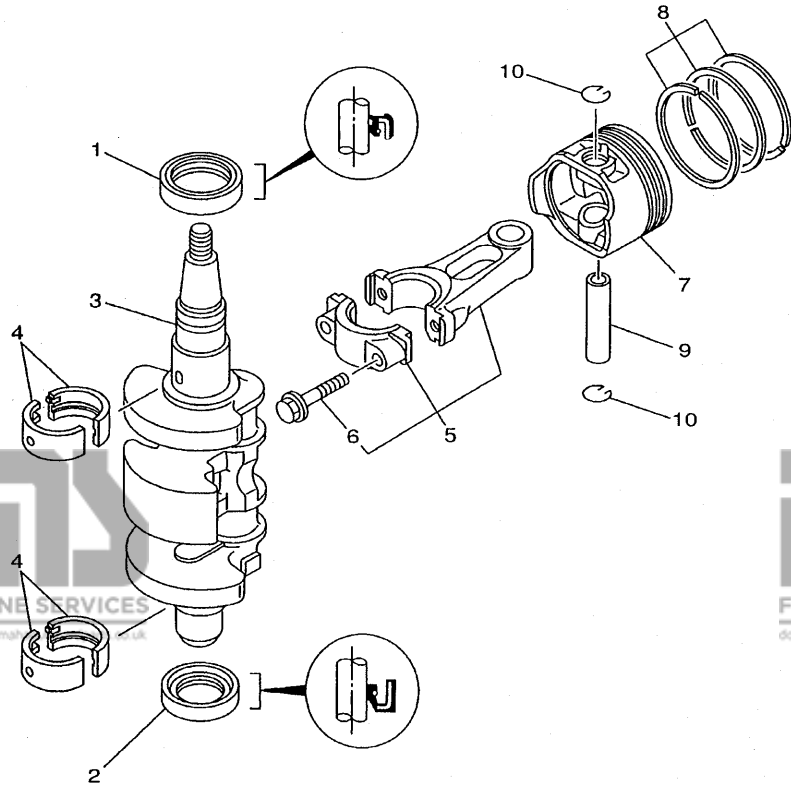
**CYLINDER BLOCK  
ASSY**  
(Fig. 2, Ref. No. 2 to 10,  
13 to 17  
Fig. 3, Ref. No. 1 to 10  
Fig. 4, Ref. No. 4  
Fig. 8, Ref. No. 8 to 12)



68R0100-0020

**FIG. 2 CYLINDER. CRANKCASE 1 CYLINDRE. CARTER 1**

REF. NO.	PART NO. NO. PIECES	DESCRIPTION DESCRIPTION	F6MH	F8MH	SAV	F8W	REMARKS REMARQUES
1	68T-W009B-00-4D	CYLINDER BLOCK ASSY CYLINDRE GROUPE (ENS.)	1	1	1	1	
2	68T-15100-00-94	CRANKCASE ASSY CARTER DE MOTEUR COMPLET	1	1	1	1	
3	99530-12016	.PIN, DOWEL .GOUJON, D'ASSEMBLAGE	4	4	4	4	
4	90119-08M29	BOLT, WITH WASHER BOULON, AVEC RONDELLE	6	6	6	6	
5	68T-11351-00	GASKET, CYLINDER JOINT, D'EMBASE	1	1	1	1	
6	66M-12411-00	THERMOSTAT THERMOSTAT	1	1	1	1	
7	68T-12413-00-9M	COVER, THERMOSTAT COUVERCLE, THERMOSTAT	1	1	1	1	
8	6G8-12414-A0	GASKET, COVER JOINT, COUVERCLE	1	1	1	1	
9	97013-06020	BOLT BOULON	2	2	2	2	
10	92903-06600	WASHER, PLATE RONDELLE, PLATE	2	2	2	2	
11	68T-12481-00	PIPE 1 DURITE 1	1	1	1	1	
12	90465-11M10	CLAMP BRIDE	1	1	1	1	
13	68T-41113-00-9M	OUTER COVER, EXHAUST COUVERCLE, ECHAPPEMENT	1	1	1	1	
14	6E9-24378-00	.PIPE, JOINT 4 .DURITE RACCORDEMENT 4	1	1	1	1	
15	68T-41114-A0	GASKET, EXHAUST OUTER COVER JOINT, COUVERCLE D'ECHAPPEMENT	1	1	1	1	
16	97013-06025	BOLT BOULON	5	5	5	5	
17	92903-06600	WASHER, PLATE RONDELLE, PLATE	5	5	5	5	
18	68T-12482-00	PIPE 2 DURITE 2	1	1	1	1	



**FIG. 3 CRANKSHAFT. PISTON VILEBREQUIN. PISTON**

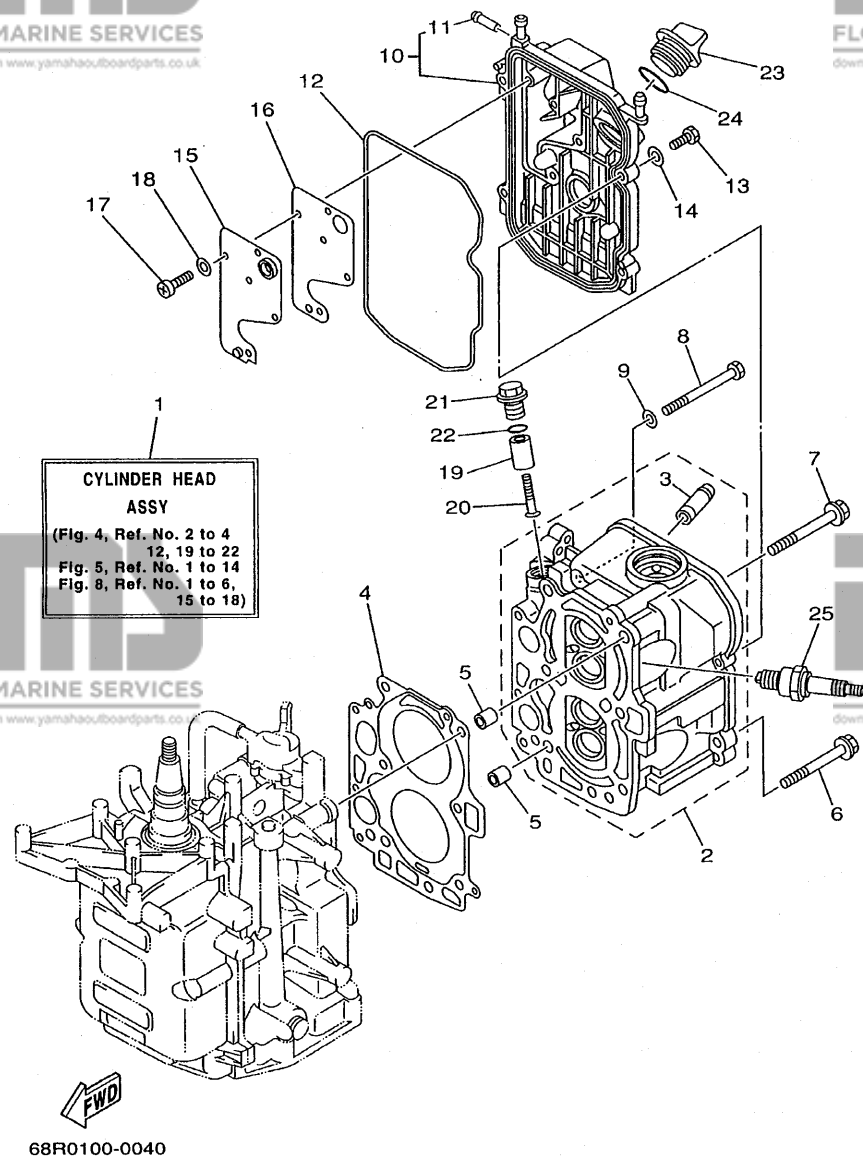
REF. NO.	PART NO. NO. PIECES	DESCRIPTION DESCRIPTION	F6MH	F8MH	SAV	F8W	REMARKS REMARQUES
1	93102-30M22	OIL SEAL JOINT SPY	1	1	1	1	
2	93101-25M69	OIL SEAL JOINT SPY	1	1	1	1	
3	68T-11411-00	CRANKSHAFT VILEBREQUIN COMPLET	1	1	1	1	
4	68T-11416-00	PLANE BEARING, CRANKSHAFT 1 COUSSINET DE VILEBREQUIN	4	4	4	4	UR BROWN
	68T-11416-10	PLANE BEARING, CRANKSHAFT 1 COUSSINET DE VILEBREQUIN	4	4	4	4	UR BLACK
	68T-11416-20	PLANE BEARING, CRANKSHAFT 1 COUSSINET DE VILEBREQUIN	4	4	4	4	UR BLUE
5	68T-11650-00	CONNECTING ROD ASSY BIELLE COMPLETE	2	2	2	2	
6	67D-11654-00	.BOLT, CONNECTING ROD .BOULON, BIELLE	2	2	2	2	
7	68T-11631-00-96	PISTON (STD) PISTON (STD)	2	2	2	2	
	68T-11635-00	PISTON (0.25MM O/S) PISTON (0.25MM O/S)	2	2	2	2	AP
	68T-11636-00	PISTON (0.50MM O/S) PISTON (0.50MM O/S)	2	2	2	2	AP
8	68T-11603-00	PISTON RING SET (STD) JUE DE SEGMENTS (STD)	2	2	2	2	
	68T-11604-00	PISTON RING SET (0.25MM O/S) JUE DE SEGMENTS (0.25MM O/S)	2	2	2	2	AP
	68T-11605-00	PISTON RING SET (0.50MM O/S) JUE DE SEGMENTS (0.50MM O/S)	2	2	2	2	AP
9	68T-11633-00	PIN, PISTON AXE, PISTON	2	2	2	2	
10	93450-15023	CIRCLIP CIRCLIP, TYPE S	4	4	4	4	



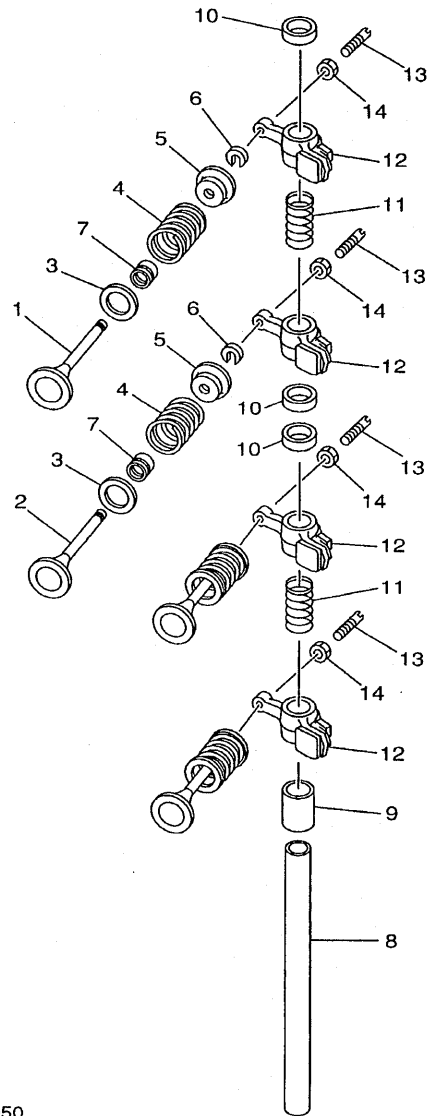
68R0010-0030



**FIG. 4 CYLINDER. CRANKCASE 2 CYLINDRE. CARTER 2**



REF. NO.	PART NO. NO. PIECES	DESCRIPTION DESCRIPTION	F8MH	F8MH	SAV	F8W	REMARKS REMARQUES
1	68T-W009A-00-4D	CYLINDER HEAD ASSY CULASSE (ENS.)	1	1	1	1	
2	68T-11111-00-94	HEAD, CYLINDER 1 CULASSE	1	1	1	1	
3	67D-11133-10	.GUIDE, INTAKE VALVE .GUIDE, SOUP D'ADM	4	4	4	4	
4	68T-11181-00	GASKET, CYLINDER HEAD 1 JOINT, DE CULASSE 1	1	1	1	1	
5	99510-10114	PIN, DOWEL GOUJON, D'ASSEMBLAGE	2	2	2	2	
6	90105-08M36	BOLT, WASHER BASED BOULON, AVEC RONDELLE	2	2	2	2	
7	90105-08M78	BOLT, WASHER BASED BOULON, AVEC RONDELLE	4	4	4	4	
8	97013-06070	BOLT BOULON	3	3	3	3	
9	92903-06600	WASHER, PLATE RONDELLE, PLATE	3	3	3	3	
10	68T-11191-00-94	COVER, CYLINDER HEAD 1 COUVERCLE, CULASSE 1	1	1	1	1	
11	650-24378-00	.PIPE, JOINT 4 .DURITE RACCORDEMENT 4	1	1	1	1	
12	68T-11356-00	SEAL, CYLINDER 2 JOINT, SPY CYLINDRE	1	1	1	1	
13	97095-06020	BOLT BOULON	4	4	4	4	
14	92995-06600	WASHER RONDELLE	4	4	4	4	
15	68T-11168-00	COVER, BREATHER COUVERCLE, RENIFLARD	1	1	1	1	
16	68T-11169-A0	GASKET, BREATHER COVER JOINT, COUVERCLE DE RENIFLARD	1	1	1	1	
17	98507-04010	SCREW, PAN HEAD VIS, TETE TRONCONIQUE	5	5	5	5	
18	92907-04600	WASHER RONDELLE	5	5	5	5	
19	68T-11325-00	ANODE ANODE	1	1	1	1	
20	90151-05M05	SCREW, COUNTERSUNK VIS, TETE NOYEE	1	1	1	1	
21	6G8-11197-01	PLUG, BLIND PLOT, BORGNE	1	1	1	1	
22	93210-13M63	O-RING JOINT TORIQUE	1	1	1	1	
23	6G8-15363-00	PLUG, OIL PLOT, HUILE	1	1	1	1	
24	93210-24M79	O-RING JOINT TORIQUE	1	1	1	1	
25	94702-00274	PLUG SPARK (NGK BR6HS-10) BOUGIE D'ALLUMAGE (NGK BR6HS-10)	2	2	2	2	



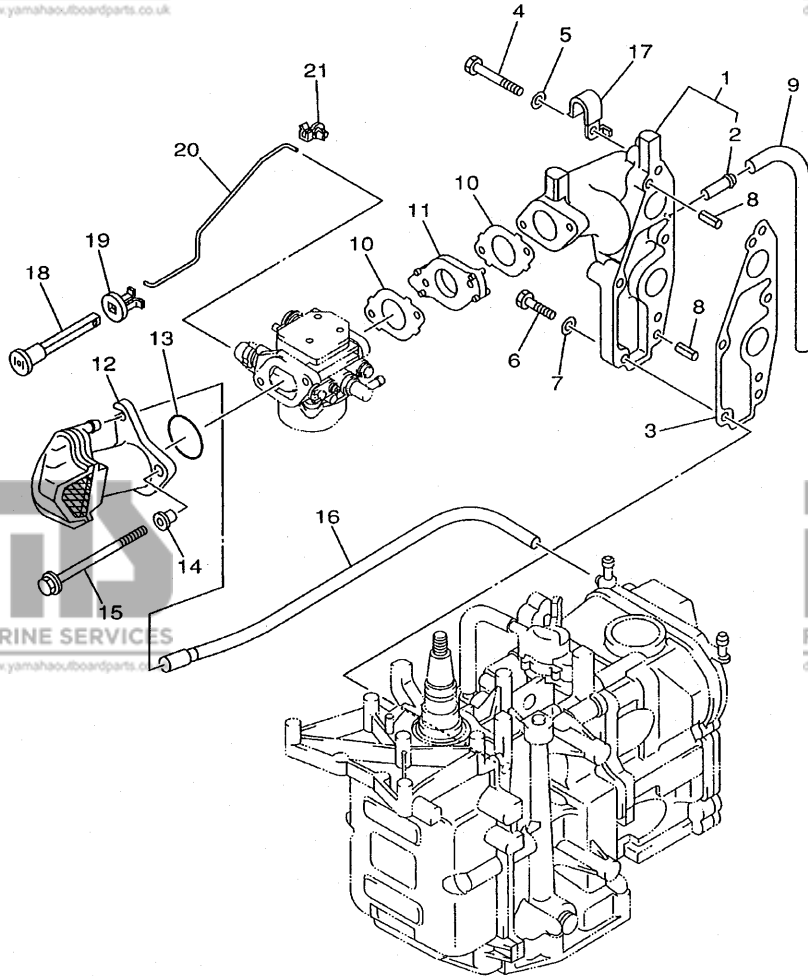
68R0010-0050

**FIG. 5 VALVE**

**SOUPAPE**

REF. NO.	PART NO. NO. PIECES	DESCRIPTION DESCRIPTION	F6MH	F8MH	SAV	F8W	REMARKS REMARQUES
1	67D-12111-00	VALVE, INTAKE SOUPAPE, ADMISSION	2	2	2	2	
2	67D-12121-00	VALVE, EXHAUST SOUPAPE, ECHAPPEMENT	2	2	2	2	
3	68T-12116-00	SEAT, VALVE SPRING SIEGE, RESSORT DE SOUPAPE	4	4	4	4	
4	68T-12113-00	SPRING, VALVE INNER RESSORT DE SOUPAPE, INTERNE	4	4	4	4	
5	7NJ-12117-00	RETAINER, VALVE SPRING BUTEE DE RESSORT DE SOUPAPE	4	4	4	4	
6	7NJ-12118-00	COTTER, VALVE FRAISE, SOUPAPE	4	4	4	4	
7	51Y-12119-00	SEAL, VALVE STEM JOINT, QUEUE DE SOUPAPE	4	4	4	4	
8	68T-12146-00	SHAFT, ROCKER AXE, CULBUTEUR	1	1	1	1	
9	90387-13M56	COLLAR COLLERETTE	1	1	1	1	
10	90387-14M03	COLLAR COLLERETTE	3	3	3	3	
11	90501-12M40	SPRING, COMPRESSION RESSORT, COMPRESSION	2	2	2	2	
12	68T-12151-00	ARM, VALVE ROCKER CULBUTEUR	4	4	4	4	
13	6G8-12159-00	SCREW, VALVE ADJUSTING VIS, REGLAGE DE SOUPAPE	4	4	4	4	
14	6G8-12158-00	NUT, LOCK CONTRE-ECROU	4	4	4	4	

**B1**



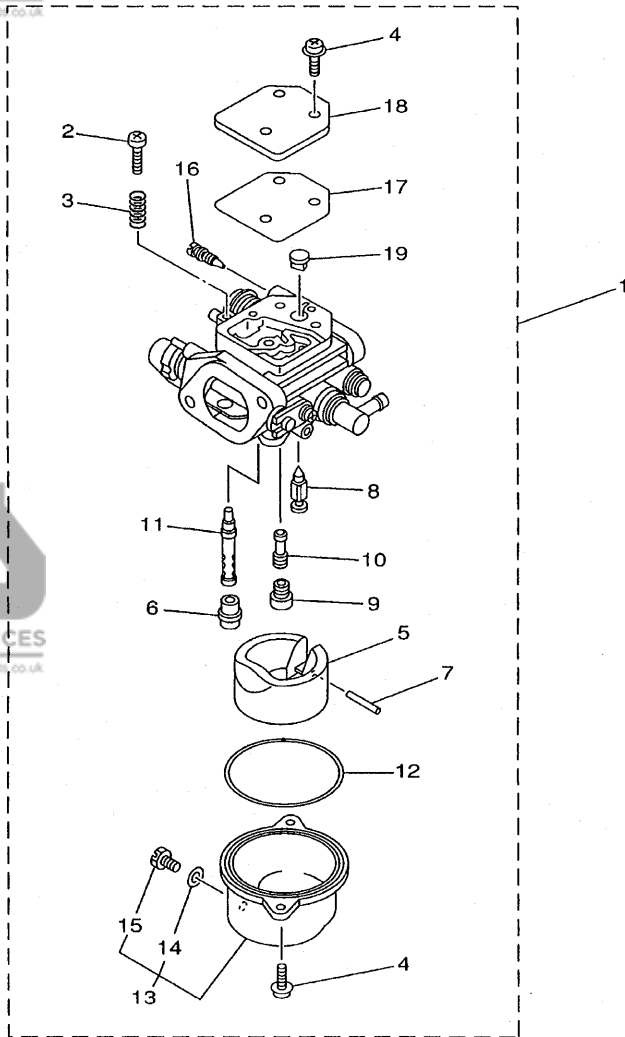
  
68R0010-0060

**FIG. 6 INTAKE**

**ADMISSION**

REF. NO.	PART NO. NO. PIECES	DESCRIPTION DESCRIPTION	FBMH	FBMH	SAV	FBW	REMARKS REMARQUES
1	68T-13641-00-1S	MANIFOLD 1 TUBULURE 1	1	1	1		MH
	68T-13641-10-1S	MANIFOLD 1 TUBULURE 1				1	W
2	650-24378-00	.PIPE, JOINT 4 .DURITE RACCORDEMENT 4	1	1	1	1	
3	68T-13645-00	GASKET, MANIFOLD 1 JOINT, TUBULURE 1	1	1	1	1	
4	97013-06035	BOLT BOULON	3	3	3	3	
5	92903-06600	WASHER, PLATE RONDELLE, PLATE	3	3	3	3	
6	97013-06025	BOLT BOULON	2	2	2	2	
7	92903-06600	WASHER, PLATE RONDELLE, PLATE	2	2	2	2	
8	91690-50014	PIN, SPRING GOUPILLE, ELASTIQUE	2	2	2	2	
9	90445-09074	HOSE (L130) DURITE (L130)	1	1	1	1	
10	68T-13646-A0	GASKET, MANIFOLD 2 JOINT, TUBULURE 2	2	2	2	2	
11	68T-14271-00	INSULATOR ISOLATEUR	1	1	1	1	
12	68T-14440-00	SILENCER ASSY, INTAKE SIENCIEUX D'ADMISSION	1	1	1	1	
13	93210-31MJ5	O-RING JOINT TORIQUE	1	1	1	1	
14	90387-06M70	COLLAR COLLERETTE	2	2	2	2	
15	97595-06585	BOLT, WITH WASHER VIS HEXAGONAL AVC RONDELLE	2	2	2	2	
16	68T-12483-00	PIPE 3 DURITE 3	1	1	1	1	
17	90465-08M99	CLAMP BRIDE	1	1	1	1	
18	6H4-41271-01	KNOB, CHOKE BOUTON DE STARTER	1	1	1	1	
19	689-41273-00	GROMMET PASSE-FIL	1	1	1	1	
20	68T-41256-00	ROD, CHOKE 1 TRINGLE 1, STARTER	1	1	1	1	
21	6J8-41262-00	JOINT, CHOKE LEVER RACCORD, LEVIER DE STARTER	1	1	1	1	

**B2**

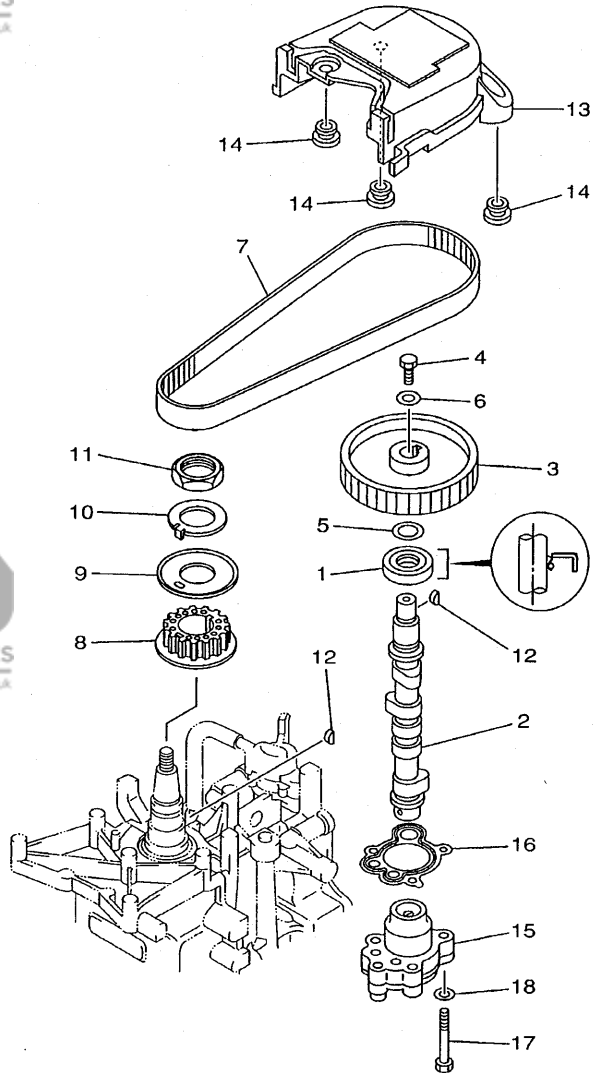


68R0010-0070

FIG. 7 CARBURETOR

CARBURATEUR

REF. NO.	PART NO. NO. PIECES	DESCRIPTION DESCRIPTION	F6MH	F8MH	SAV	F8W	REMARKS REMARQUES
1	68R-14301-00	CARBURETOR ASSY 1 CARBURATEUR COMPLET	1				F6A
	68T-14301-00	CARBURETOR ASSY 1 CARBURATEUR COMPLET		1			F8C
	68R-14301-20	CARBURETOR ASSY 1 CARBURATEUR COMPLET			1		F6A
	69F-14301-20	CARBURETOR ASSY 1 CARBURATEUR COMPLET			1		F6B
	68T-14301-20	CARBURETOR ASSY 1 CARBURATEUR COMPLET			1		F8C
	68T-14301-30	CARBURETOR ASSY 1 CARBURATEUR COMPLET				1	F8C
2	6E5-14321-00	.SCREW, THROTTLE .VIS, ACCELERATEUR	1	1	1	1	
3	6J8-14334-00	.SPRING, THROTTLE .RESSORT, ACCELERATEUR	1	1	1	1	
4	97980-04112	.SCREW, WITH WASHER .VIS, AVEC RONDELLE	5	5	5	5	
5	68T-14385-00	.FLOAT .FLOTTEUR	1	1	1	1	
6	67D-14966-00	.RUBBER CAP .CAOUTCHOUC CASQUILLO	1	1	1	1	
7	67D-14386-00	.PIN, FLOAT .AXE, FLOTTEUR	1	1	1	1	
8	68T-14546-00	.VALVE, NEEDLE .POINTEAU	1	1	1	1	
9	68T-1492E-37	.JET, MAIN (#74) .GICLEUR, PRINCIPAL (#74)	1	1	1	1	
10	68T-1492F-1K	.JET, AIR SLOW (#39) .GICLEUR, AIR (#39)	1	1	1	1	
11	68T-1492A-00	.NOZZLE, MAIN .PUITS D'AIGUILLE	1	1	1	1	
12	67D-14984-00	.GASKET, FLOAT CHAMBER .JOINT, CUVE DE FLOTTEUR	1	1	1	1	
13	68T-14981-00	.BODY, FLOAT CHAMBER .CORPS, CUVE DE FLOTTEUR	1	1	1	1	
14	6J8-14959-00	.GASKET .JOINT	1	1	1	1	
15	66T-14991-00	.PLUG, DRAIN .BOUCHON DE VIDANGE	1	1	1	1	
16	67D-14323-00	.SCREW, AIR ADJUSTING .VIS DE DOSEUR D'AIR	1	1		1	
	68T-14323-20	.SCREW, AIR ADJUSTING .VIS DE DOSEUR D'AIR				1	
17	67D-14536-00	.GASKET .JOINT	1	1	1	1	
18	67D-14527-00	.PLATE .PLAQUE	1	1	1	1	
19	68T-14126-00	.PLUG .PLOT	1	1	1	1	

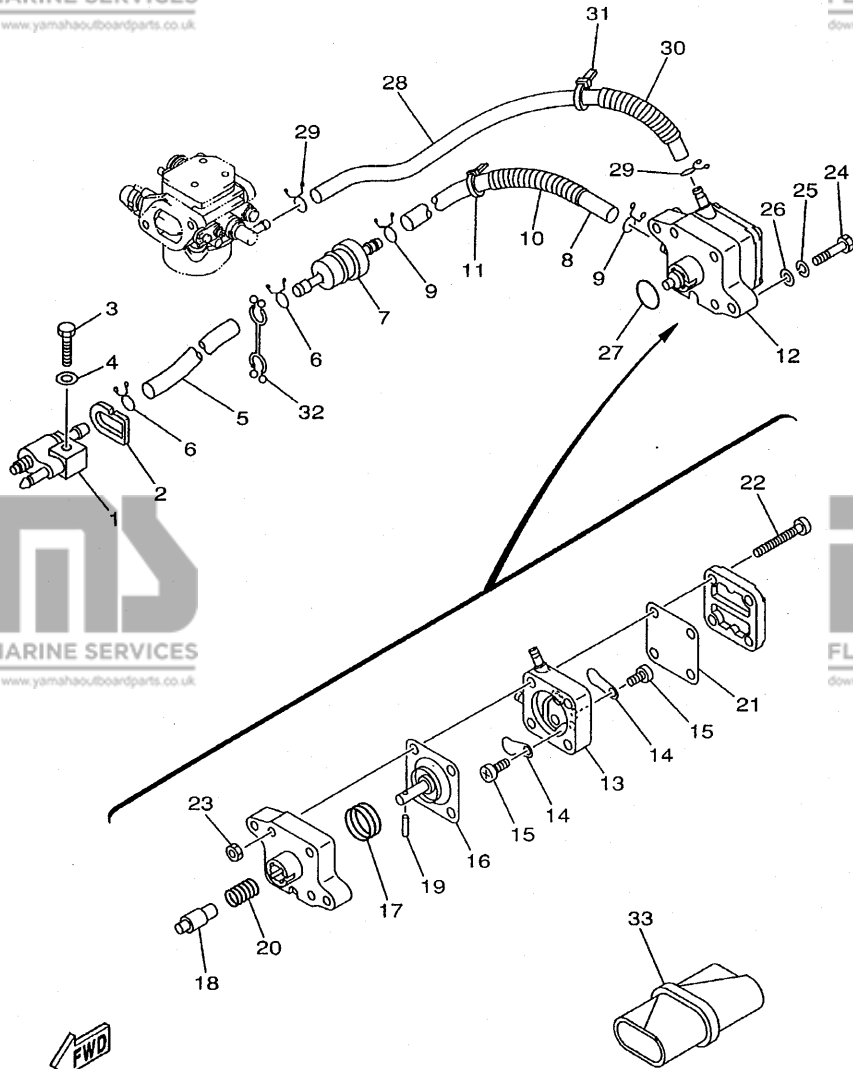


**FWD**  
68R0010-0080

**FIG. 8 OIL PUMP**

**POMPE A HUILE**

REF. NO.	PART NO. NO. PIECES	DESCRIPTION DESCRIPTION	F6MH	F8MH	SAV	F8W	REMARKS REMARQUES
1	93102-18M21	OIL SEAL JOINT SPY	1	1	1	1	
2	68T-12171-00	CAMSHAFT 1 ARBRE A CAMES 1	1	1	1	1	
3	66M-11537-00-94	GEAR, DRIVEN PIGNON SECONDAIRE	1	1	1	1	
4	97013-06016	BOLT BOULON	1	1	1	1	
5	90201-13201	WASHER, PLATE RONDELLE, PLATE	1	1	1	1	
6	90201-06M94	WASHER, PLATE RONDELLE, PLATE	1	1	1	1	
7	68T-46241-00	V-BELT COURROIE TRAPEZOIDALE	1	1	1	1	
8	68T-11536-00	GEAR, DRIVE ENGRENAGE, MENANT	1	1	1	1	
9	68T-11557-00	WASHER 1 RONDELLE 1	1	1	1	1	
10	6G8-11587-01	WASHER, LOCK RONDELLE, FREIN	1	1	1	1	
11	90170-24M09	NUT ECROU	1	1	1	1	
12	90280-03M01	KEY, WOODRUFF CLAVETTE, DEMI-LUNE	2	2	2	2	
13	68T-46297-00	COVER, DUST COUVERCLE, POUSSIÈRE	1	1	1	1	
14	90480-10627	GROMMET PASSE-FIL	3	3	3	3	
15	68T-13300-00	OIL PUMP ASSY POMPE A HUILE COMPLET	1	1	1	1	
16	68T-13329-00	GASKET, PUMP COVER JOINT, COUVERCLE DE POMPE	1	1	1	1	
17	97095-06030	BOLT BOULON	3	3	3	3	
18	92995-06600	WASHER RONDELLE	3	3	3	3	

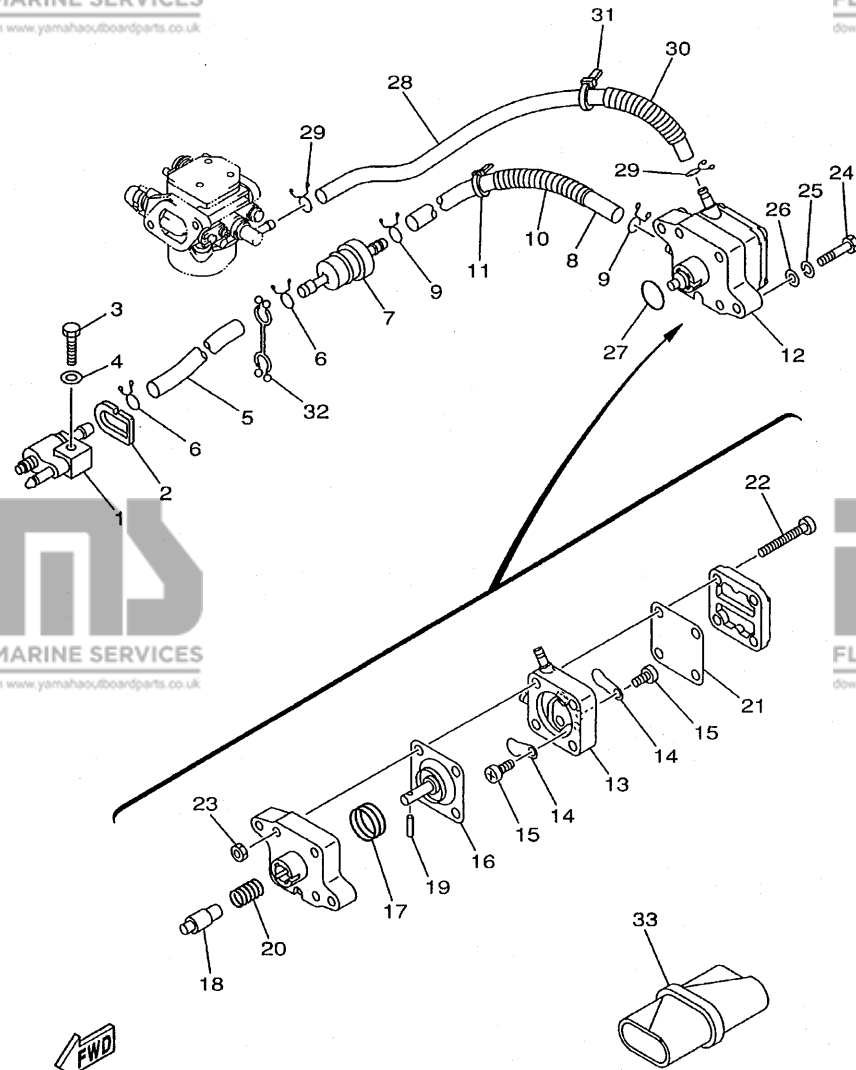


68R0010-0090

FIG. 9 FUEL

CARBURANT

REF. NO.	PART NO. NO. PIECES	DESCRIPTION DESCRIPTION	F6MH	F8MH	SAV	F8W	REMARKS REMARQUES
1	6G1-24304-02	FUEL PIPE JOINT COMP. 1 DURITE RACCORDEMT. A ESSENCE	1	1	1	1	
2	61N-24329-00	SEAL JOINT	1	1	1	1	
3	97095-06025	BOLT BOULON	1	1	1	1	
4	92995-06600	WASHER RONDELLE	1	1	1	1	
5	90445-10M18	HOSE (L295) DURITE (L295)	1	1	1	1	
6	90467-09M09	CLIP JONC	2	2	2	2	
7	68T-24251-00	STRAINER 1 FILTRE 1	1	1	1	1	
8	90445-10M50	HOSE (L170) DURITE (L170)	1	1	1	1	
9	90467-09M09	CLIP JONC	2	2	2	2	
10	90446-14M66	HOSE DURITE	1	1	1	1	
11	90465-11M10	CLAMP BRIDE	1	1	1	1	
12	68T-24410-00	FUEL PUMP ASSY POMPE A ESSENCE	1	1	1	1	
13	66M-24413-01	.BODY 2 .CORPS 2	1	1	1	1	
14	6A0-24421-01	.VALVE, CHECK .SOUPAPE, RETENUE	2	2	2	2	
15	6E7-14325-00	.SCREW, PAN HEAD .VIS TETE CONIQUE	2	2	2	2	
16	66M-24411-00	.DIAPHRAGM .DIAPHRAGME	1	1	1	1	
17	66M-24423-00	.SPRING, DIAPHRAGM .RESSORT, DIAPHRAGME	1	1	1	1	
18	66M-13131-00	.PLUNGER .PLONGEUR	1	1	1	1	
19	66M-24374-00	.PIN .GOUPILLE	1	1	1	1	
20	66M-24454-00	.SPRING .RESSORT	1	1	1	1	
21	66M-24471-00	.DIAPHRAGM .DIAPHRAGME	1	1	1	1	
22	66M-24444-00	.SCREW .VIS	4	4	4	4	
23	95380-05600	.NUT .ECROU	4	4	4	4	
24	97095-06030	BOLT BOULON	2	2	2	2	
25	92995-06100	WASHER, SPRING RONDELLE, GROWER	2	2	2	2	
26	92995-06600	WASHER RONDELLE	2	2	2	2	
27	93210-20M65	O-RING JOINT TORIQUE	1	1	1	1	



68R0010-0090

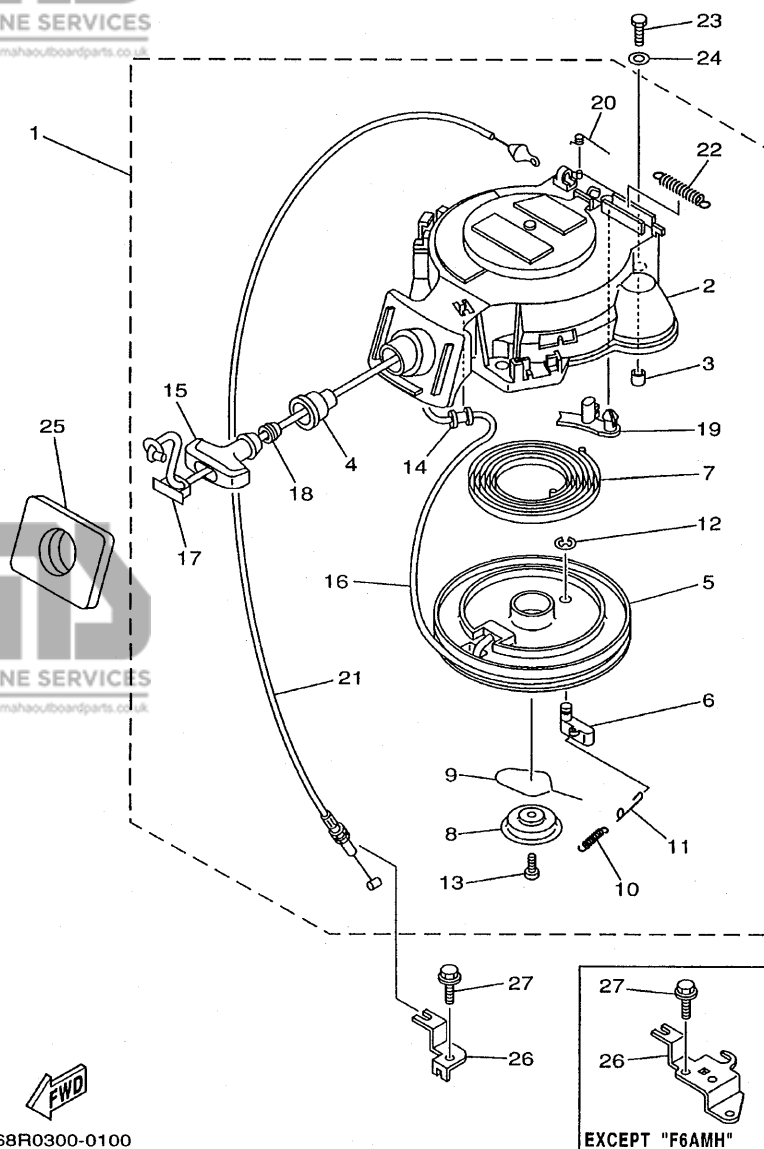
**FIG. 9 FUEL**

**CARBURANT**

REF. NO.	PART NO. NO. PIECES	DESCRIPTION DESCRIPTION	F8MH	F8MH	SAV	FBW	REMARKS REMARQUES
28	90445-10016	HOSE (L280) DURITE (L280)	1	1	1	1	
29	90467-09M09	CLIP JONC	2	2	2	2	
30	90446-14M66	HOSE DURITE	1	1	1	1	
31	90465-11M10	CLAMP BRIDE	1	1	1	1	
32	90464-10M53	CLAMP BRIDE	1	1	1	1	
33	68T-28100-00	TOOL KIT TROUSSE A OUTILS	1	1	1	1	

FIG. 10 STARTER

DEMARREUR



68R0300-0100

EXCEPT "F6AMH"

REF. NO.	PART NO. NO. PIECES	DESCRIPTION DESCRIPTION	F6MH	F8MH	SAV	F8W	REMARKS REMARQUES
1	68T-15710-01	STARTER ASSY DEMARREUR COMPLET	1	1	1	1	
2	68T-15711-01	.CASE, STARTER .CARTER DE DEMARREUR	1	1	1	1	
3	67D-15764-00	.COLLAR 1 .COLLERETTE 1	3	3	3	3	
4	68T-15795-00	.GUIDE, ROPE .GUIDE DE CABLE	1	1	1	1	
5	63V-15714-00	.DRUM, SHEAVE .TAMBOUR, FOULIE	1	1	1	1	
6	63V-15741-00	.PAWL, DRIVE .CLIQUET, ENTRAINEMENT	1	1	1	1	
7	63V-15713-00	.SPRING, STARTER .RESSORT DE DEMARREUR	1	1	1	1	
8	68T-15716-00	.PLATE, DRIVE .PLAQUE, ENTRAINEMENT	1	1	1	1	
9	63V-15705-01	.SPRING, DRIVE PAWL .RESSORT DE CLIQUET	1	1	1	1	
10	63V-15767-01	.SPRING .RESSORT	1	1	1	1	
11	68T-15784-00	.SPRING, RETURN .RESSORT, RAPPEL	1	1	1	1	
12	63V-15744-00	.CIRCLIP .CIRCLIP	1	1	1	1	
13	68T-15793-00	.SCREW .VIS	1	1	1	1	
14	68T-15764-00	.COLLAR 1 .COLLERETTE 1	1	1	1	1	
15	6G1-15755-00	.HANDLE, STARTER .POIGNEE, DE DEMARREUR	1	1	1	1	
16	*	.WIRE, STARTER (L:1800MM) .CABLE DE DEMARREUR (L:1800MM)	1	1	1	1	
17	6G1-15779-00	.COVER .COUVERCLE	1	1	1	1	
18	6A0-15789-00	.DAMPER .AMORTISSEUR	1	1	1	1	
19	66T-15794-00	.STOPPER .BUTEE	1	1	1	1	
20	66T-15734-00	.SPRING, RETURN .RESSORT, RAPPEL	1	1	1	1	
21	68T-15770-00	.CABLE COMP., STARTER STOP .CABLE, BUTEE DE DEMAR	1	1	1	1	
22	66T-15731-00	.SPRING, RETURN .RESSORT, RAPPEL	1	1	1	1	
23	97095-06020	BOLT BOULON	3	3	3	3	
24	92995-06600	WASHER RONDELLE	3	3	3	3	
25	68T-15762-00	SEAL, RUBBER 2 JOINT CAOUTCHOUC 2	1	1	1	1	

\* CUT FROM 50M ROLLS, PART NO. 90890-44373, CUTTING LENGTH 1.8M

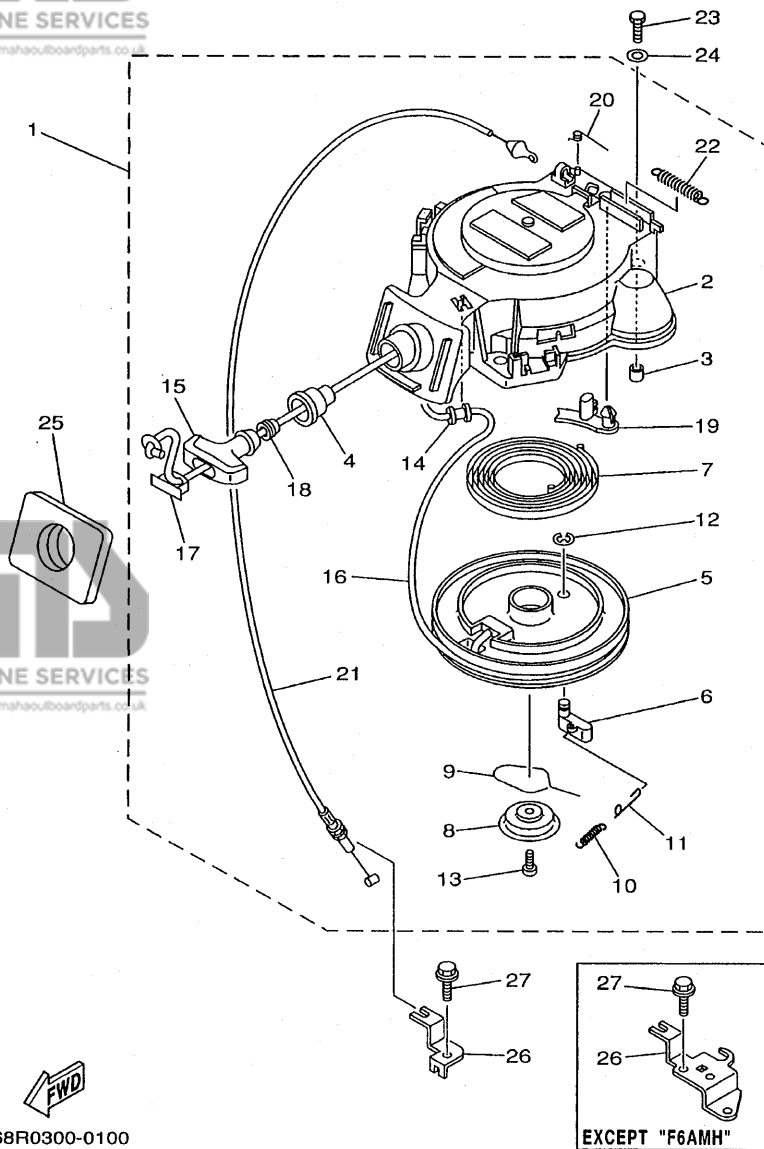
\* A PRELEVER SUR BOBINE 50M , REFERENCE 90890-44373, LONGUEUR DE COUPE 1.8M



**FIG. 10 STARTER**

**DEMARREUR**

REF. NO.	PART NO. NO. PIECES	DESCRIPTION DESCRIPTION	F6MH	F8MH	SAV	F8W	REMARKS REMARQUES
26	68T-15774-00	STAY 4 SUPPORT 4	1				
	68T-15774-10	STAY 4 SUPPORT 4		1	1	1	
27	90109-06M86	BOLT BOULON	1				
	90109-06M86	BOLT BOULON		2	2	2	



**FWD**  
68R0300-0100

EXCEPT "F6AMH"

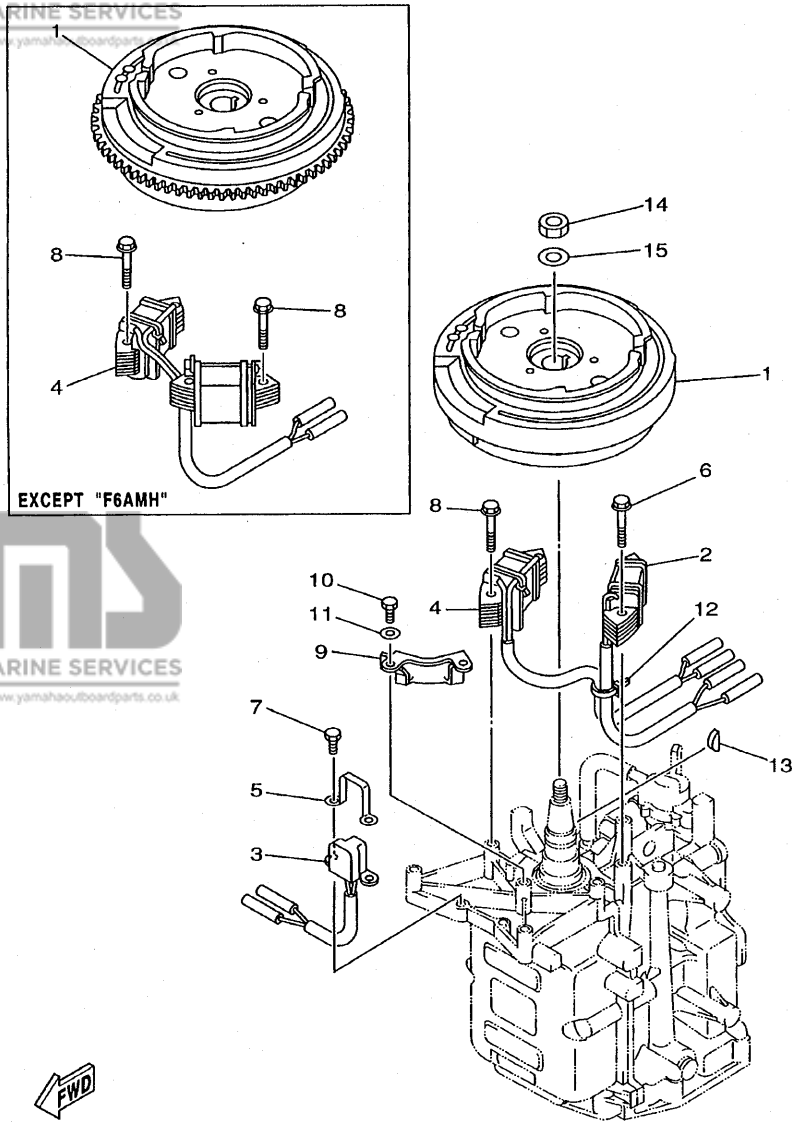


FIG. 11 GENERATOR

GENERATRICE

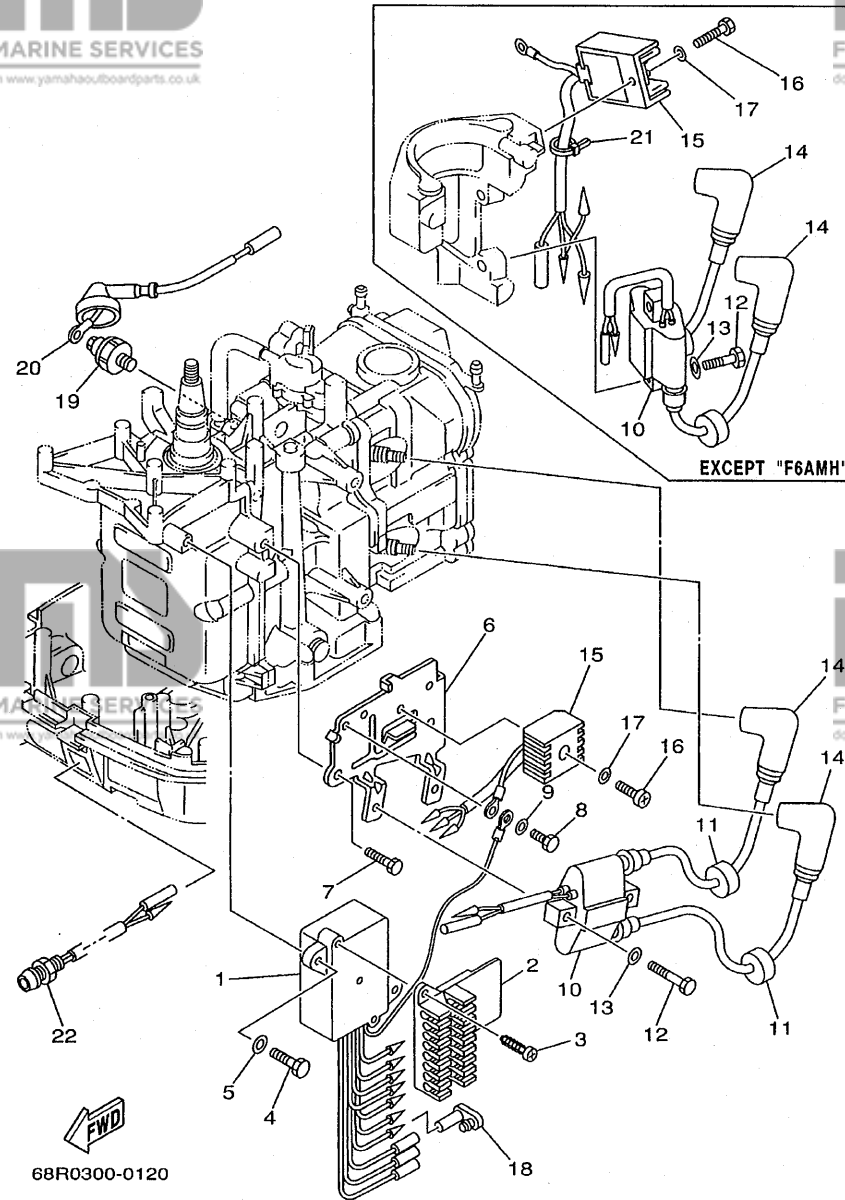
REF. NO.	PART NO. NO. PIECES	DESCRIPTION DESCRIPTION	F6MH	F8MH	SAV	F8W	REMARKS REMARQUES
	68T-85550-01	ROTOR ASSY ROTOR CPLT	1				
	68T-85550-11	ROTOR ASSY ROTOR CPLT		1	1	1	
2	68T-85520-00	COIL, CHARGE BOBINE, CHARGE	1	1	1	1	
3	68T-85580-01	COIL, PULSER BOBINE, PULSEUR	1	1	1	1	
4	68T-85533-00	COIL, LIGHTING BOBINE, ECLAIRAGE	1				
	68T-85533-10	COIL, LIGHTING BOBINE, ECLAIRAGE		1	1	1	
5	6H2-85582-00	ATTACHMENT, PULSER SUPPORT, PULSEUR	1	1	1	1	
6	90119-06014	BOLT, WITH WASHER BOULON, AVEC RONDELLE	2	2	2	2	
7	97095-05010	BOLT BOULON	2	2	2	2	
8	90119-06MA1	BOLT, WITH WASHER BOULON, AVEC RONDELLE	2				
	90119-06MA1	BOLT, WITH WASHER BOULON, AVEC RONDELLE		4	4	4	
9	68T-81328-00	CLAMP COLLIER	1				
10	97013-06012	BOLT BOULON	2				
11	92903-06600	WASHER, PLATE RONDELLE, PLATE	2				
12	90465-11M10	CLAMP BRIDE	1	1	1	1	
13	90280-04M06	KEY, WOODRUFF CLAVETTE, DEMI-LUNE	1	1	1	1	
14	90170-12066	NUT ECROU	1	1	1	1	
15	90201-12472	WASHER, PLATE RONDELLE, PLATE	1	1	1	1	



68R0300-1110

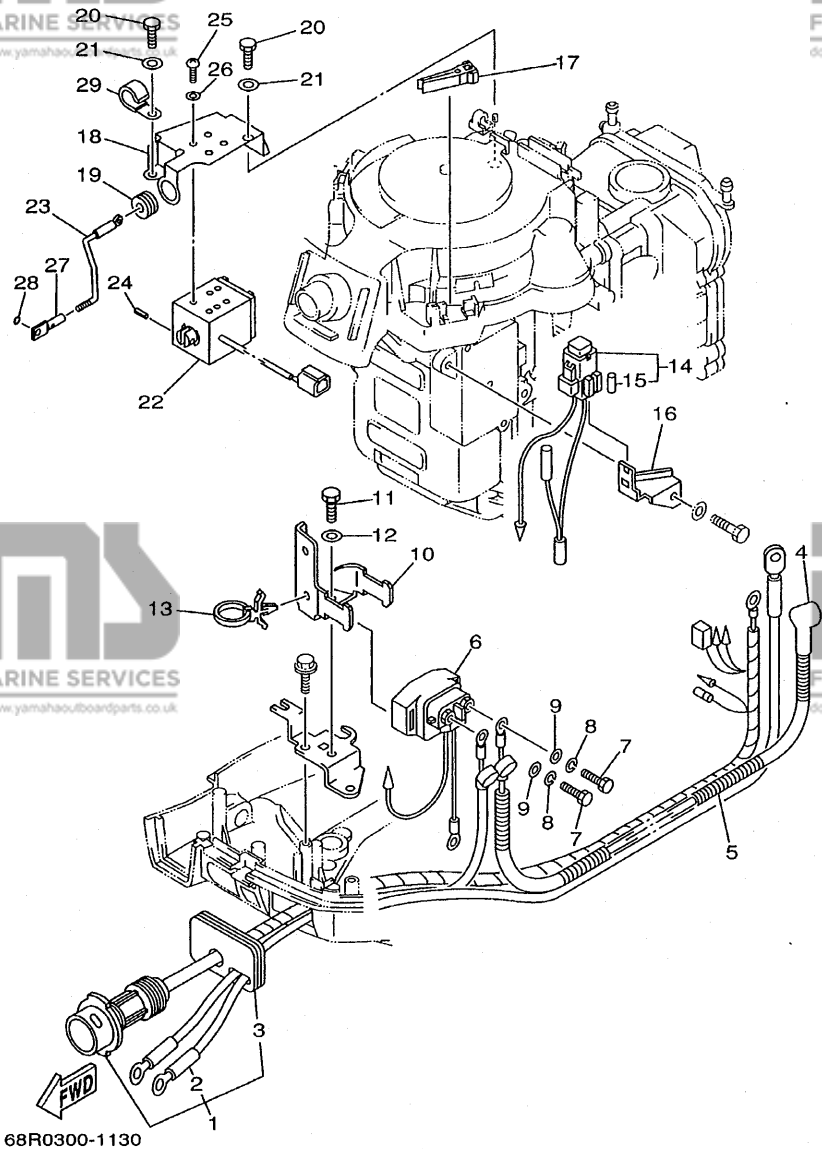
FIG. 12 ELECTRICAL 1

PARTIE ELECTRIQUE 1



REF. NO.	PART NO. NO. PIECES	DESCRIPTION DESCRIPTION	F6MH	F8MH	SAV	F8W	REMARKS REMARQUES
1	68R-85540-00	C.D.I. UNIT ASSY BLOC C.D.I.	1		1		F6A
	69F-85540-00	C.D.I. UNIT ASSY BLOC C.D.I.			1		F6B
	68T-85540-00	C.D.I. UNIT ASSY BLOC C.D.I.		1	1	1	F8C
2	68T-82522-00	CLAMP, COUPLER BRIDE, DE CONNECTEUR	1	1	1	1	
3	97780-40512	SCREW, TAPPING VIS, TETE FRAISEE	2	2	2	2	
4	97095-06020	BOLT BOULON	2	2	2	2	
5	92995-06600	WASHER RONDELLE	2	2	2	2	
6	68T-85542-00	BRACKET SUPPORT	1				
7	97095-08012	BOLT BOULON	2				
8	97095-06012	BOLT BOULON	1	1	1	1	
9	92995-06600	WASHER RONDELLE	1	1	1	1	
10	680-85570-00	IGNITION COIL ASSY BOBINE D'ALLUMAGE (ENS.)	1	1	1	1	
11	90480-25161	GROMMET PASSE-FIL	2	2	2	2	
12	97095-06025	BOLT BOULON	2	2	2	2	
13	92995-06600	WASHER RONDELLE	2	2	2	2	
14	6E3-82370-21	PLUG CAP ASSY ANTIPARASITE	2	2	2	2	
15	664-81970-61	RECTIFIER ASSY REDRESSEUR COMPLET	1				
	68T-81960-00	RECTIFIER & REGULATOR ASSY REDRESSEUR REGULATEUR CPLT		1	1	1	
16	97880-05025	SCREW, PAN HEAD VIS, TETE TRONCONIQUE	1				
	97095-06012	BOLT BOULON		1	1	1	
17	92990-05600	WASHER, PLATE RONDELLE, PLATE	1				
	92995-06600	WASHER RONDELLE		1	1	1	
18	6A0-82119-00	COVER, LEAD WIRE GARNITURE, FIL	1				
19	67F-82504-00	OIL PRESSURE SWITCH ASSY CONTACTEUR DE PRESSION D'HUILE	1	1	1	1	
20	68T-82127-10	WIRE, LEAD 2 FIL 2	1	1	1	1	
21	90465-11M10	CLAMP BRIDE	1	1	1	1	
22	68T-85410-00	EMERGENCY SIGNAL LIGHT ASSY FEU DE DETRESSE	1	1	1	1	

**C3**



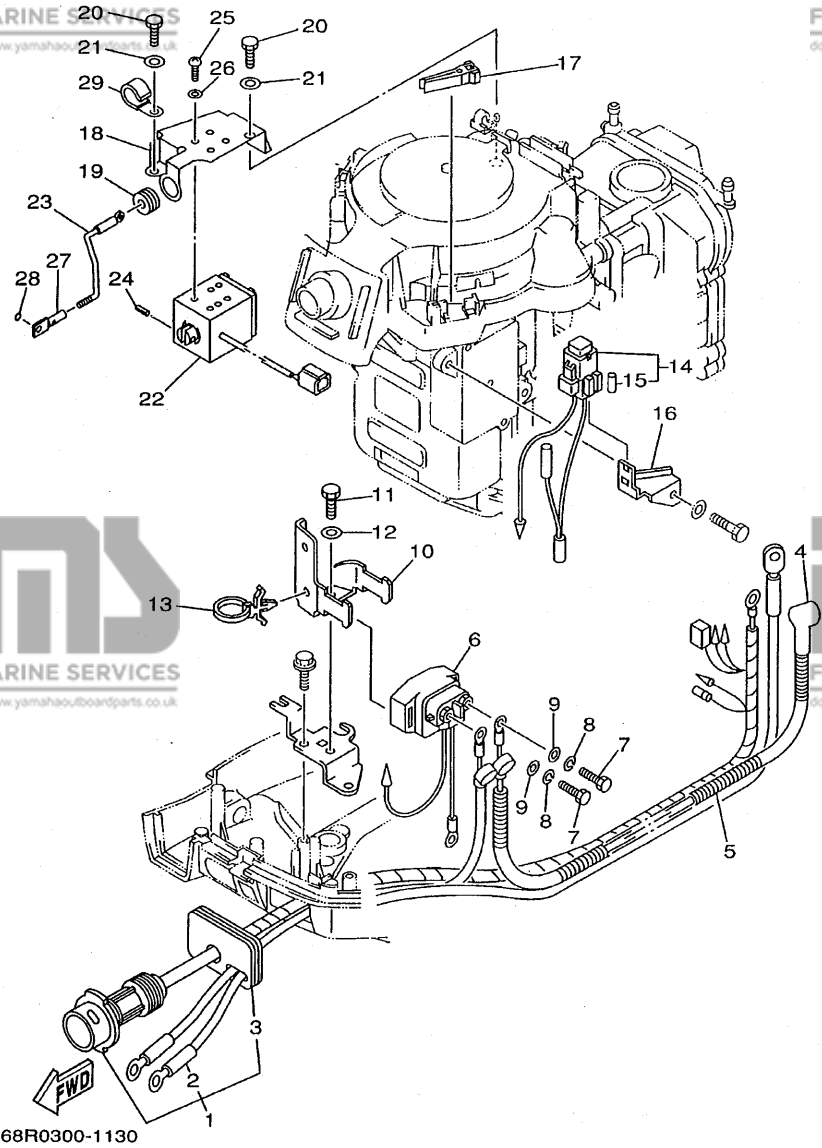
68R0300-1130

FIG. 13 ELECTRICAL 2

PARTIE ELECTRIQUE 2

REF. NO.	PART NO. NO. PIECES	DESCRIPTION DESCRIPTION	F6MH	F8MH	SAV	F8W	REMARKS REMARQUES
1	68T-82580-00	WIRE HARNESS ASSY 2 FAISCEAU DE FILS 2 CPLT				1	
2	68T-82105-00	.WIRE HARNESS .FAISCEAU DE FILS				1	
3	68T-42724-40	.GROMMET .PASSE-FIL				1	
4	6G8-82117-00	WIRE, LEAD FIL				1	
5	90446-10M86	HOSE DURITE				1	
6	68T-81940-00	STARTER RELAY ASSY LANCEUR RELAIS (ENS.)				1	
7	97095-06010	BOLT BOULON				2	
8	92995-06100	WASHER, SPRING RONDELLE, GROVER				2	
9	92995-06600	WASHER RONDELLE				2	
10	68T-81945-00	PLATE, SWITCH FITTING PLAQUE, FIXATION DU RELAIS				1	
11	97095-06012	BOLT BOULON				1	
12	92995-06600	WASHER RONDELLE				1	
13	90465-12M56	CLAMP BRIDE				1	
14	68T-82150-00	FUSE HOLDER ASSY SUPPORT DE FUSIBLE				1	
15	66V-82151-00	.FUSE (10A-BL) .FUSIBLE (10A-BL)				2	
16	68T-82171-00	STAY, FUSE BOX SUPPORT, BOITE A FUSIBLES				1	
17	67F-2812A-00	PULLER, FUSE TENDEUR, FUSIBLE				1	
18	68T-86112-00	STAY, SOLENOID SUPPORT, SOLENOIDE				1	
19	90480-13018	GROMMET PASSE-FIL				1	
20	97095-06012	BOLT BOULON				2	
21	92995-06600	WASHER RONDELLE				2	
22	68T-86111-00	COIL, SOLENOID BOBINE				1	
23	68T-41237-00	JOINT, LINK RACCORD				1	
24	91690-30010	PIN, SPRING GOUILLE, ELASTIQUE				1	
25	97880-04008	SCREW, PAN HEAD VIS, TETE TRONCONIQUE				4	
26	92990-04600	WASHER, PLATE RONDELLE, PLATE				4	
27	68T-86117-00	HOOK, WIRE PULL CROCHET, TENSION DE CABLE				1	

C4

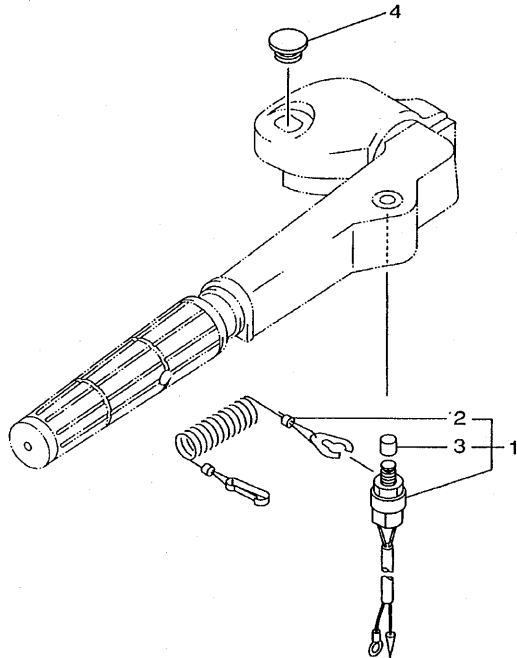


**FIG. 13 ELECTRICAL 2**

**PARTIE ELECTRIQUE 2**

REF. NO.	PART NO. NO. PIECES	DESCRIPTION DESCRIPTION	F6MH	F8MH	SAV	F8W	REMARKS REMARQUES
----------	---------------------	-------------------------	------	------	-----	-----	-------------------

28	93210-03261	O-RING JOINT TORIQUE				1	
29	90465-08M83	CLAMP BRIDE				1	

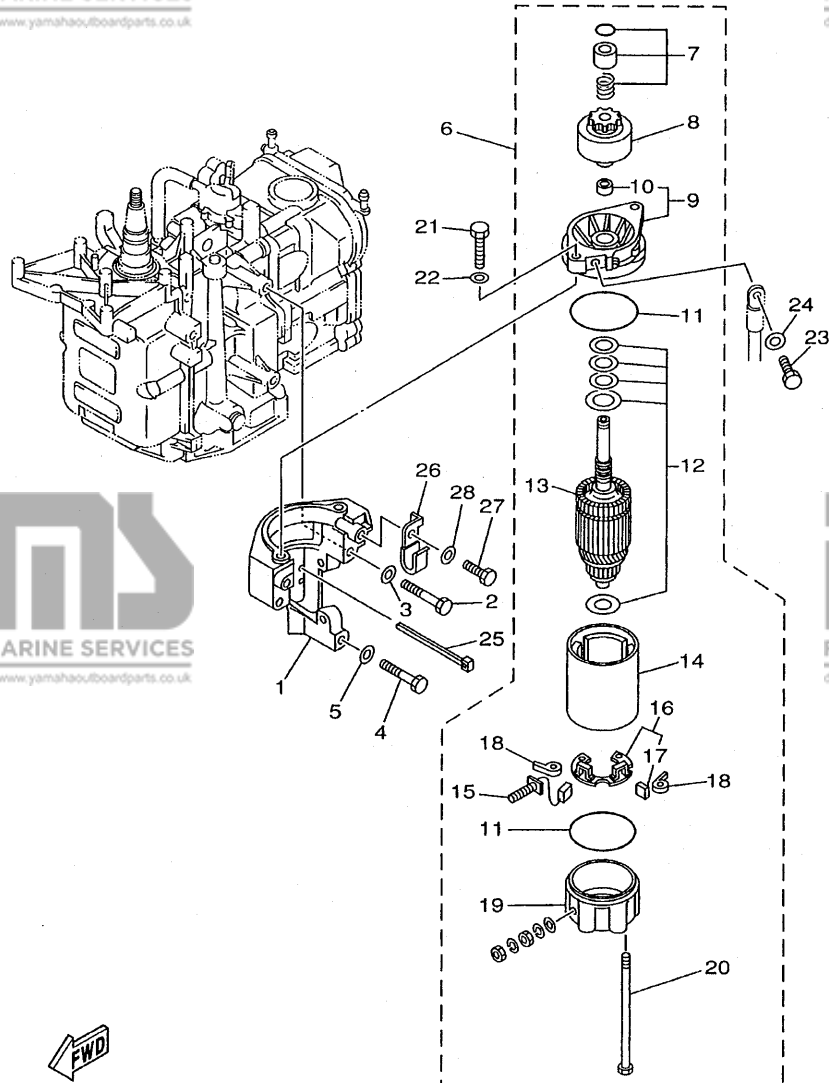


68R0300-0140

FIG. 14 ELECTRICAL 3

PARTIE ELECTRIQUE 3

REF. NO.	PART NO. NO. PIECES	DESCRIPTION DESCRIPTION	F8MH	F8MT	SAV	F8W	REMARKS REMARQUES
1	65W-82575-01	ENGINE STOP SWITCH ASSY COUPE CIRCUIT CPLT	1	1	1		
2	682-82556-00	.STOPPER .PLAQUETTE	1	1	1		
3	689-8257Y-00	.CAP .CHAPEAU	1	1	1		
4	6G1-42725-00	GROMMET PASSE-FIL	1	1	1		



68R0010-0150

FIG. 15 STARTING MOTOR

DEMARREUR ELECTRIQUE

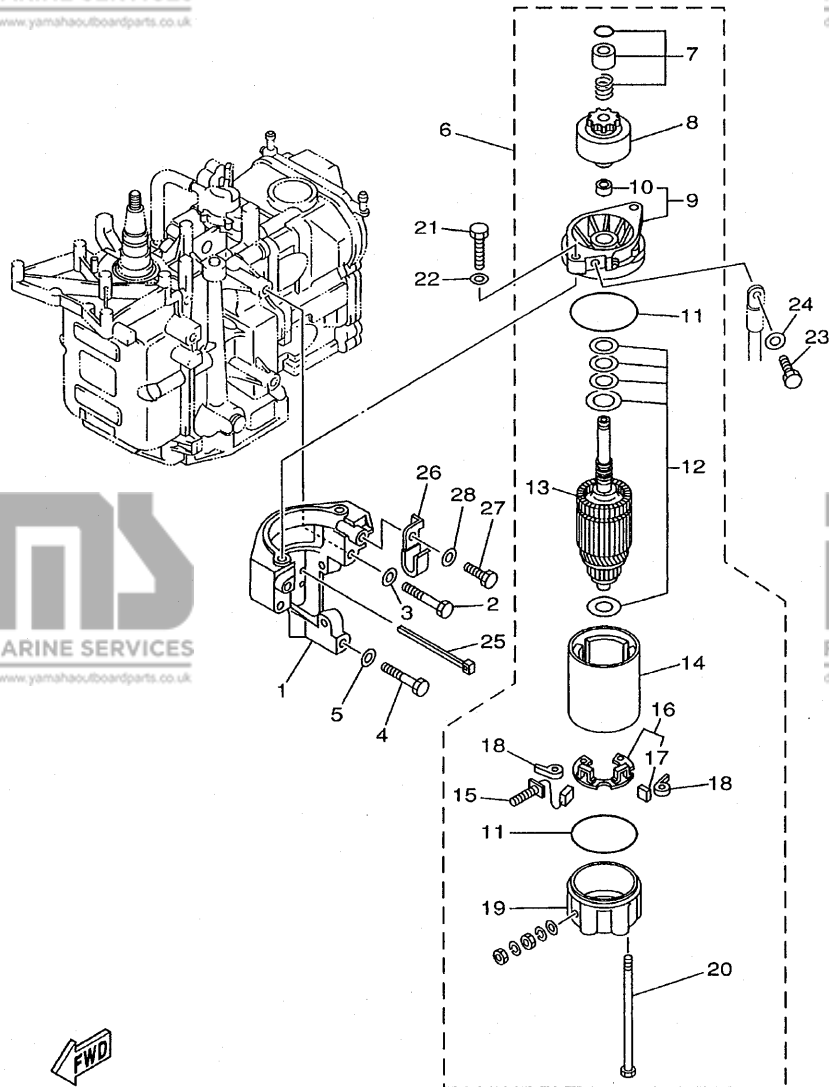
REF. NO.	PART NO. NO. PIECES	DESCRIPTION DESCRIPTION	F6M/H	F8M/H	SAV	F8W	REMARKS REMARQUES
1	68T-81822-00-94	BRACKET, STARTING MOTOR SUPPORT, DEMARREUR ELECTRIQUE			1	1	1
2	97013-08055	BOLT BOULON			2	2	2
3	92903-08600	WASHER, PLATE RONDELLE, PLATE			2	2	2
4	97013-08040	BOLT BOULON			1	1	1
5	92903-08600	WASHER, PLATE RONDELLE, PLATE			1	1	1
6	68T-81800-00	STARTING MOTOR ASSY DEMARREUR ELECTRIQUE COMPLET					1
7	68T-81857-00	.RETAINER .ARRETOIR					1
8	689-81807-12	.GEAR ASSY, STARTING MOTOR .PIGNON, DEMARREUR ELECTRIQUE					1
9	6F5-81830-11	.FRONT BRACKET ASSY .SUPPORT AVANT					1
10	689-81831-00	.METAL, FRONT .METAL, AVANT					1
11	689-81847-11	.O-RING .JOINT TORIQUE					2
12	689-81809-11	.WASHER KIT .JEU DE RONDELLES					1
13	689-81850-12	.ARMATURE ASSY .INDUIT					1
14	689-81810-11	.STATOR ASSY .STATOR COMPLET					1
15	689-81811-11	.BRUSH 1 .CHARBON 1					1
16	689-81840-11	.BRUSH HOLDER ASSY .SUPPORT DE CHARBON					1
17	689-81812-11	.BRUSH 2 .CHARBON 2					1
18	689-81813-10	.SPRING, BRUSH .RESSORT, DE CHARBON					2
19	689-81820-11	.REAR BRACKET ASSY .SUPPORT ARRIERE COMPLET					1
20	689-81826-10	.BOLT .BOULON					2
21	97013-08025	BOLT BOULON					2
22	92903-08600	WASHER, PLATE RONDELLE, PLATE					2
23	97095-08016	BOLT BOULON					1
24	92995-08600	WASHER RONDELLE					1
25	90465-11M10	CLAMP BRIDE			1	1	1
26	90465-08M99	CLAMP BRIDE			1	1	1
27	97095-08012	BOLT BOULON			1	1	1

**C7**

FIG. 15 STARTING MOTOR

DEMARREUR ELECTRIQUE

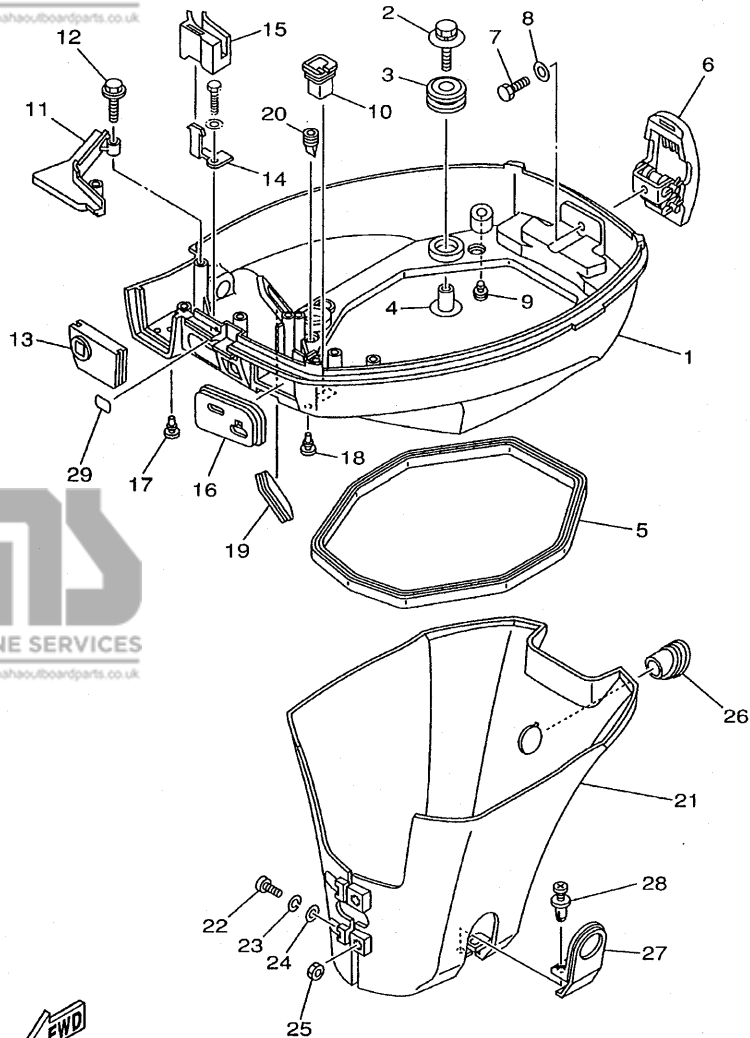
REF. NO.	PART NO. NO. PIECES	DESCRIPTION DESCRIPTION	F6MH	F8MH	SAV	F8W	REMARKS REMARQUES
28	92995-06600	WASHER RONDELLE			1	1	



68R0010-0150

**D1**





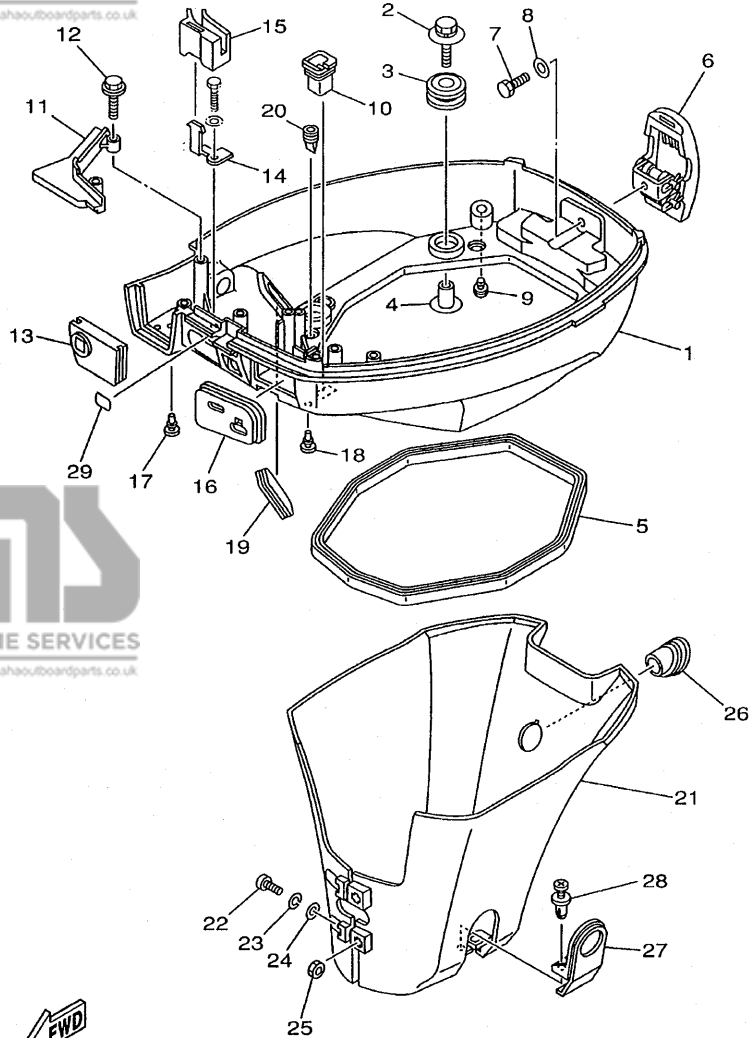
68R0010-0160

**FIG. 16 BOTTOM COWLING**

**CAPOT INFERIEUR**

REF. NO.	PART NO. NO. PIECES	DESCRIPTION DESCRIPTION	F6M/H	F8M/H	SAV	FBW	REMARKS REMARQUES
1	68T-42710-00-4D	BOTTOM COWLING ASSY ENS. EMBASE ( REF.NO. 12 FIG.10, REF.NO. 27 FIG.18, REF.NO. 7, 12 FIG.19, REF.NO. 12, 17)	1	1	1	1	
2	68F-85119-00	BOLT BOULON	4	4	4	4	
3	90480-21M82	GROMMET PASSE-FIL	4	4	4	4	
4	68F-86129-00	COLLAR COLLERETTE	4	4	4	4	
5	68T-42716-00	RUBBER, SEAL 1 JOINT EN CAOUTCHOUC 1	1	1	1	1	
6	68T-42801-00	COWLING CLAMP COMP. BRIDE DE CAPOT COMP.	1	1	1	1	
7	97095-06012	BOLT BOULON	1	1	1	1	
8	92995-06600	WASHER RONDELLE	1	1	1	1	
9	6H3-44391-01	NIPPLE, HOSE RACCORD D'ESSENCE	1	1	1	1	
10	682-42727-00	GROMMET PASSE-FIL	1	1	1	1	
11	68T-42738-00-4D	PLATE, FITTING ETRIER	1	1	1	1	
12	90109-06M81	BOLT BOULON	2	2	2	2	
13	68T-42725-00	GROMMET PASSE-FIL	1	1	1	1	
	68T-42725-10	GROMMET PASSE-FIL				1	
14	68T-26393-00	HOLDER SUPPORT	1	1	1	1	
15	68T-26367-00	PROTECTOR PROTECTEUR	1	1	1	1	
16	68T-42724-00	GROMMET PASSE-FIL	1	1	1	1	
17	90480-06M19	GROMMET PASSE-FIL	2	2	2	2	
18	90480-06M19	GROMMET PASSE-FIL	1	1	1	1	
19	6H4-42726-00	GROMMET PASSE-FIL	1	1	1	1	
20	65W-42717-00	RUBBER, SEAL 2 JOINT EN CAOUTCHOUC 2	2	2	2	2	
21	68T-42741-00	APRON CAPOT LATERAL	1	1	1	1	
22	97880-06030	SCREW, PAN HEAD VIS, TETE TRONCONIQUE	2	2	2	2	
23	92990-06100	WASHER, SPRING RONDELLE, GROWER	2	2	2	2	
24	92990-06600	WASHER, PLATE RONDELLE, PLATE	2	2	2	2	

**D2**

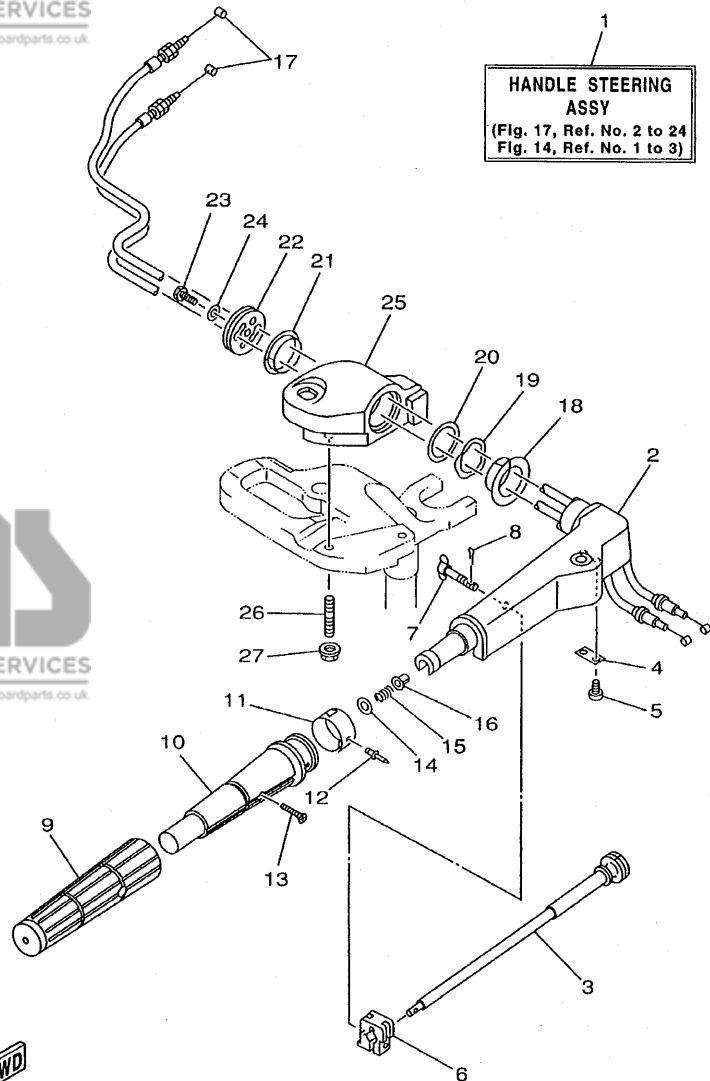


68R0010-0160

**FIG. 16 BOTTOM COWLING**

**CAPOT INFERIEUR**

REF. NO.	PART NO. NO. PIECES	DESCRIPTION DESCRIPTION	F6M/H	F8M/H	SAV	F8W	REMARKS REMARQUES
25	95380-06600	NUT, HEXAGON ECROU	2	2	2	2	
26	68T-42717-00	RUBBER, SEAL 2 JOINT EN CAOUTCHOUC 2	1	1	1	1	
27	68T-42771-00	APRON CAPOT LATERAL	1	1	1	1	
28	90338-06M20	PLUG PLOT	2	2	2	2	
29	65W-84342-00	SEAT, EMBLEM SIEGE, EMBLEME	1	1	1	1	



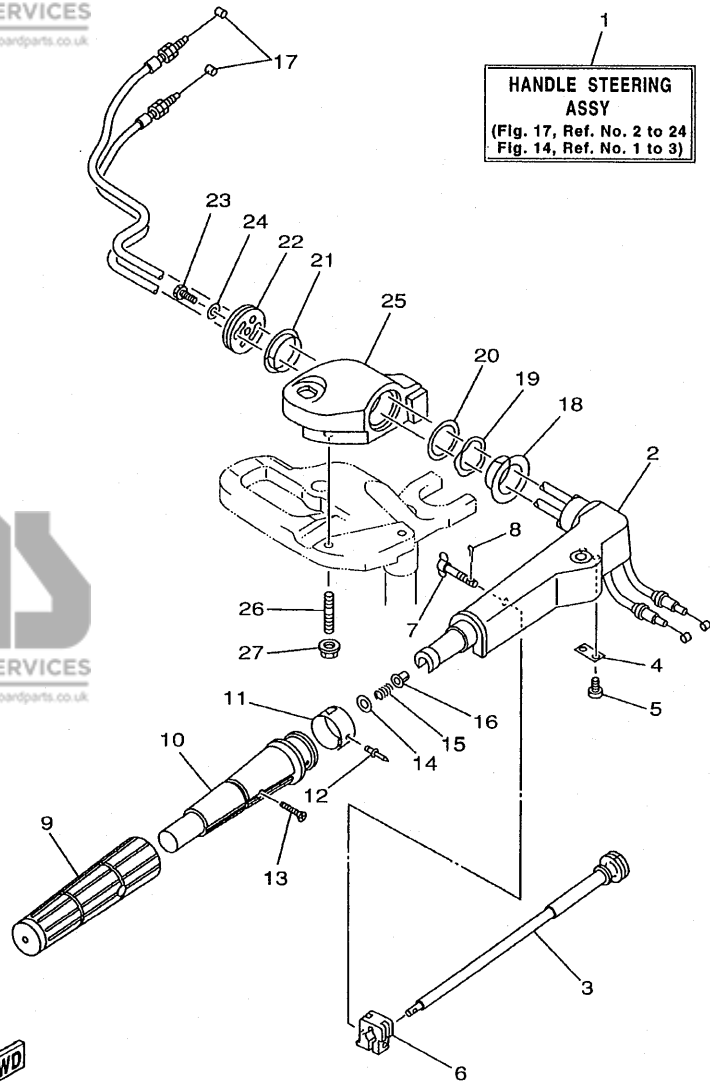
68R0300-0170

**FIG. 17 STEERING**

**DIRECTION**

REF. NO.	PART NO. NO. PIECES	DESCRIPTION DESCRIPTION	FSM/H	FSM/H	SAV	F8W	REMARKS REMARQUES
1	68T-W0084-00-4D	HANDLE STEERING ASSY BARRE FRANCHE (ENS.)	1	1	1		
2	63V-42111-00-4D	HANDLE, STEERING POIGNEE	1	1	1		
3	6G1-42138-01	LEVER, THROTTLE LEVIER, ACCELERATEUR	1	1	1		
4	6E0-42159-02	STAY SUPPORT	1	1	1		
5	97885-05012	SCREW, PAN HEAD VIS, TETE TRONCONIQUE	2	2	2		
6	6G1-42126-00	FRICITION, STEERING HANDLE GRIP CUVETTE, POIGNEE DE DIRECTION	1	1	1		
7	6G1-42125-01	BOLT, FRICTION ADJUSTING BOULON	1	1	1		
8	91490-16010	PIN, COTTER GOUPILLE, FENDUE	1	1	1		
9	67D-42177-00	RUBBER, HANDLE CAOUTCHOUC, POIGNEE	1	1	1		
10	67D-42119-00	GRIP, STEERING HANDLE POIGNEE, BARRE FRANCHE	1	1	1		
11	68R-42137-00	INDICATOR, THROTTLE INDICATEUR, ACCELERATION	1		1		F6A
	69F-42137-00	INDICATOR, THROTTLE INDICATEUR, ACCELERATION			1		F6B
	68T-42137-00	INDICATOR, THROTTLE INDICATEUR, ACCELERATION		1	1		F8C
12	90269-02M09	RIVET RIVET	1	1	1		
13	90149-05M13	SCREW VIS	1	1	1		
14	92903-10600	WASHER, PLATE RONDELLE, PLATE	1	1	1		
15	90501-23215	SPRING, COMPRESSION RESSORT, COMPRESSION	1	1	1		
16	90386-08032	BUSH DOUILLE	1	1	1		
17	68T-26301-01	THROTTLE CABLE ASSY CABLE D'ACCELERATEUR	2	2	2		
18	90386-34M97	BUSH DOUILLE	1	1	1		
19	90206-36M21	WASHER, WAVE RONDELLE, ONDULEE	1	1	1		
20	90202-36M55	WASHER, PLATE RONDELLE, PLATE	1	1	1		
21	90386-33M96	BUSH DOUILLE	1	1	1		
22	68T-42131-00	COVER, HANDLE STEERING COUVERCLE	1	1	1		
23	97075-06025	BOLT BOULON	1	1	1		
24	92995-06600	WASHER RONDELLE	1	1	1		
25	68T-42121-00-4D	BRACKET SUPPORT	1	1	1		

**D4**

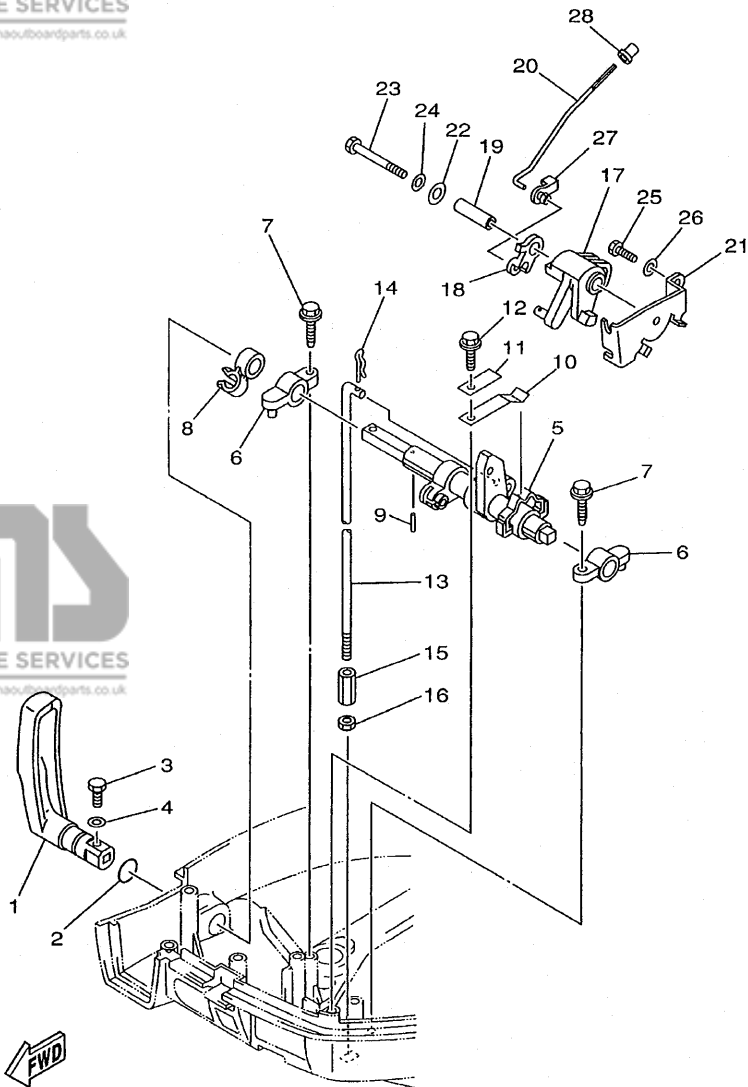


68R0300-0170

**FIG. 17 STEERING**

**DIRECTION**

REF. NO.	PART NO. NO. PIECES	DESCRIPTION	DIRECTION				REMARKS REMARQUES
			F8M/H	F8M/H	SAV	F8W	
26	90116-10M28	BOLT, STUD GOUJON	2	2	2		
27	90179-10004	NUT ECROU	2	2	2		



68R0010-0180

FIG. 18 CONTROL 1

COMMANDE 1

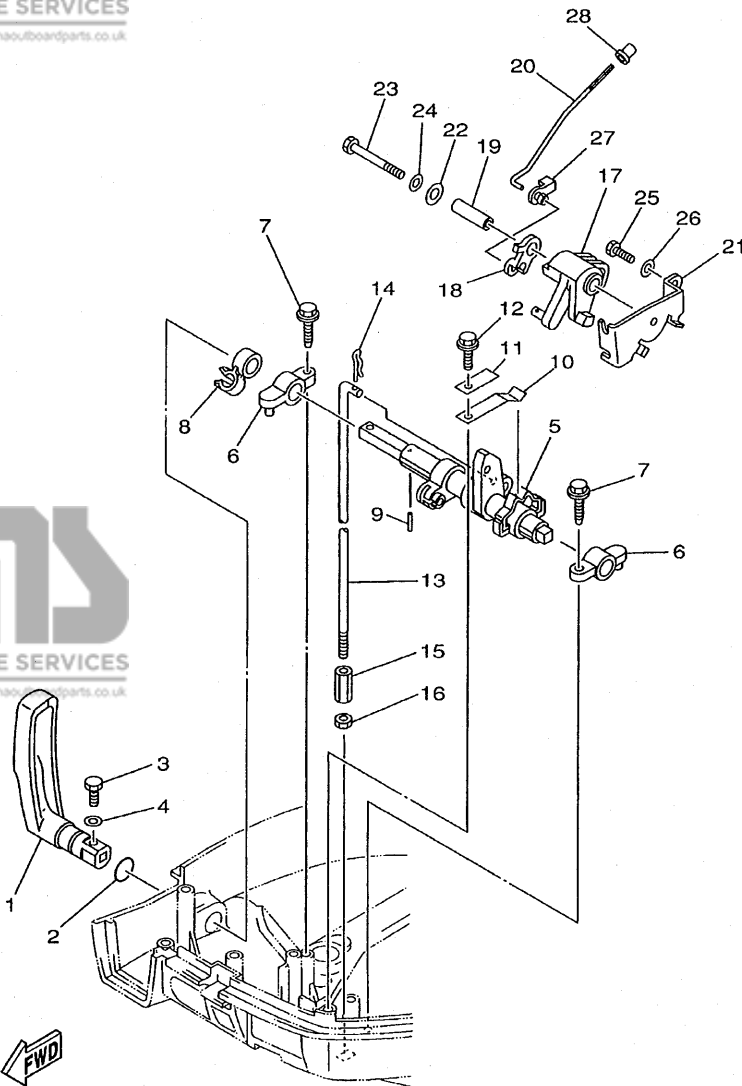
REF. NO.	PART NO. NO. PIECES	DESCRIPTION DESCRIPTION	F8M/H	F8M/H	SAV	F8W	REMARKS REMARQUES
1	68T-44111-00	HANDLE, GEAR SHIFT POIGNEE, LEVIER D'EMBRAYAGE	1	1	1		
2	93210-12327	O-RING JOINT TORIQUE	1	1	1		
3	97095-05016	BOLT BOULON	1	1	1		
4	92995-05600	WASHER RONDELLE	1	1	1		
5	68T-44121-01	LEVER, SHIFT ROD LEVIER, TIGE D'INVERSION	1	1	1		
6	6G1-41662-01-94	BRACKET SUPPORT	2	2	2		
7	90109-06M81	BOLT BOULON	2	2	2		
8	90464-10M60	CLAMP BRIDE	1	1	1		
9	91690-30014	PIN, SPRING GOUILLE, ELASTIQUE	1	1	1		
10	65W-44116-00	SPRING RESSORT	1	1	1		
11	66R-44114-00	STOPPER PLAQUETTE	1	1	1		
12	90109-06M86	BOLT BOULON	1	1	1		
13	68T-44143-00 68T-44143-10	ROD, SHIFT TIGE D'EMBRAYAGE ROD, SHIFT TIGE D'EMBRAYAGE	1	1	1		S L
14	90468-18001	CLIP JONC	1	1	1		
15	90170-06015	NUT ECROU	1	1	1		
16	95380-06700	NUT ECROU	1	1	1		
17	68T-41638-00	PULLEY POULIE	1	1	1		
18	68R-41283-00 68T-41283-00	LEVER, FREE ACCEL. LEVIER LEVER, FREE ACCEL. LEVIER	1	1	1		F6A,F6B F8C
19	90387-06M59	COLLAR COLLERETTE	1	1	1		
20	68T-41211-00 69F-41211-00	LINK, ACCEL. BIELLETTTE, ACCELERATION LINK, ACCEL. BIELLETTTE, ACCELERATION	1	1	1		F6A,F8C F6B
21	68T-14497-00	STAY, THROTTLE WIRE SUPPORT DE BOISSEAU	1	1	1		
22	90201-06M62	WASHER, PLATE RONDELLE, PLATE	1	1	1		
23	97095-06045	BOLT BOULON	1	1	1		
24	92995-06600	WASHER RONDELLE	1	1	1		

**D6**

**FIG. 18 CONTROL 1**

**COMMANDE 1**

REF. NO.	PART NO. NO. PIECES	DESCRIPTION DESCRIPTION	F6M/H	F8M/H	SAV	F8W	REMARKS REMARQUES
25	97095-06012	BOLT BOULON	1	1	1		
26	92995-06600	WASHER RONDELLE	1	1	1		
27	661-41262-02	JOINT, CHOKE LEVER RACCORD, LEVIER DE STARTER	1	1	1		
28	647-14395-60	CAP, OVERFLOW PIPE COUVRE DE DURITE REFOULEMENT	1	1	1		

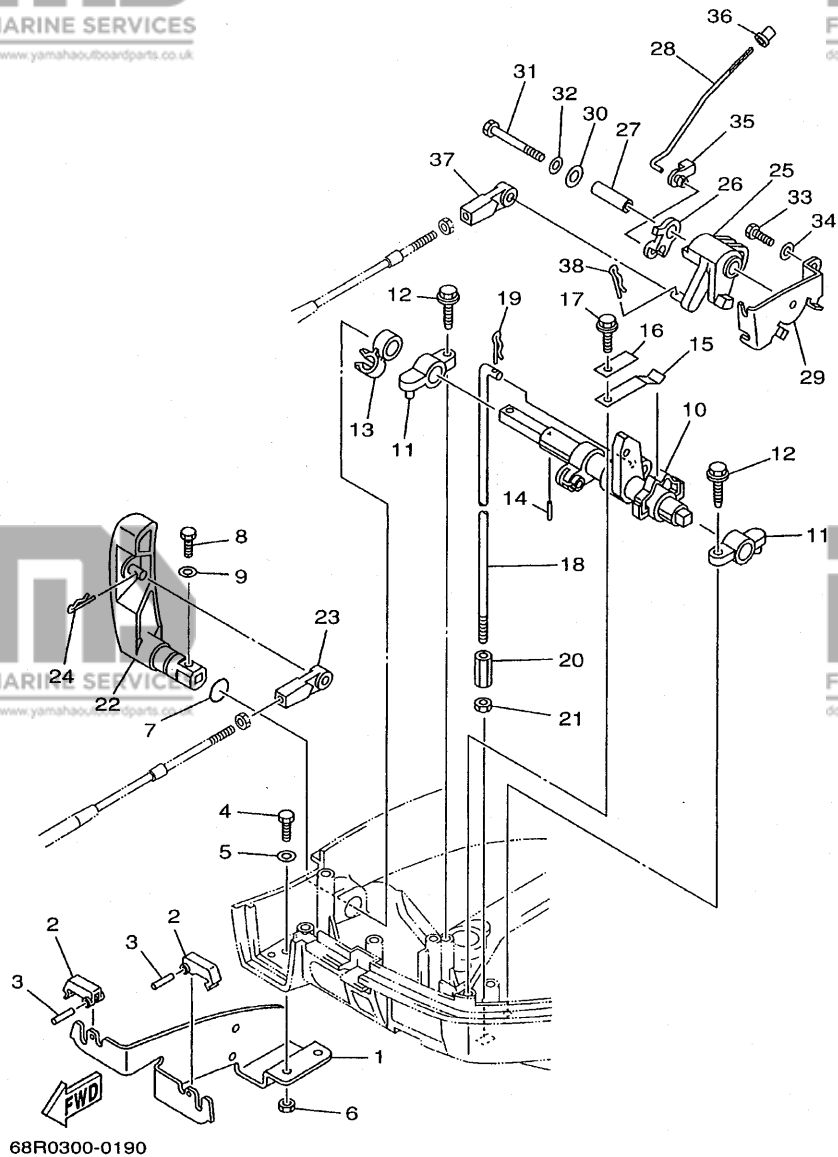


68R0010-0180

**D7**

FIG. 19 CONTROL 2

COMMANDE 2



68R0300-0190

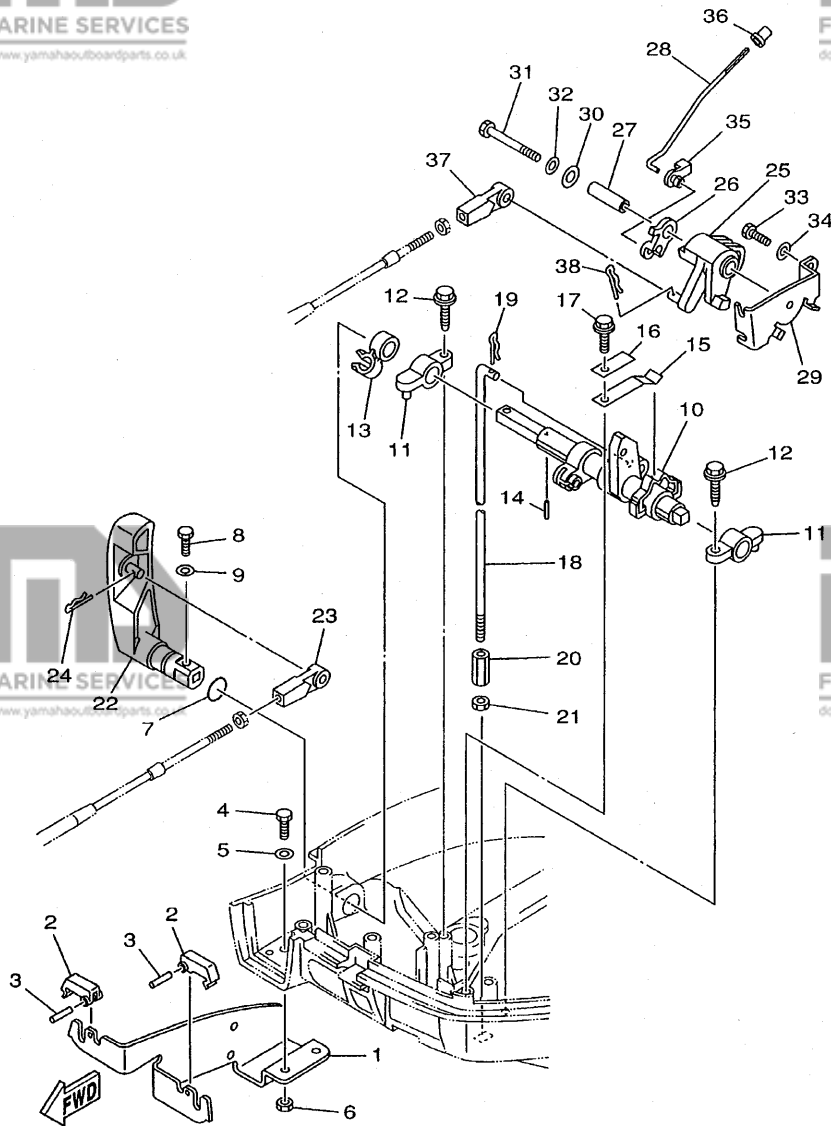
REF. NO.	PART NO. NO. PIECES	DESCRIPTION DESCRIPTION	F6MH	F8MH	SAV	F8W	REMARKS REMARQUES
1	68T-48531-00	BRACKET, REMOTE CONTROL 1 ETRIER 1, COMMANDE A DISTANCE				1	
2	682-48538-50	CLAMP, CABLE 1 COLLIER				2	
3	91690-30012	PIN, SPRING GOUPILE, ELASTIQUE				2	
4	97095-06012	BOLT BOULON				2	
5	92995-06600	WASHER RONDELLE				2	
6	95380-06600	NUT, HEXAGON ECROU				2	
7	93210-12327	O-RING JOINT TORIQUE				1	
8	97095-05016	BOLT BOULON				1	
9	92995-05600	WASHER RONDELLE				1	
10	68T-44121-01	LEVER, SHIFT ROD LEVIER, TIGE D'INVERSION				1	
11	6G1-41662-01-94	BRACKET SUPPORT				2	
12	90109-06M81	BOLT BOULON				2	
13	90464-10M60	CLAMP BRIDE				1	
14	91690-30014	PIN, SPRING GOUPILE, ELASTIQUE				1	
15	65W-44116-00	SPRING RESSORT				1	
16	66R-44114-00	STOPPER PLAQUETTE				1	
17	90109-06M86	BOLT BOULON				1	
18	68T-44143-00	ROD, SHIFT TIGE D'EMBAYAGE				1	S
19	90468-18001	CLIP JONC				1	
20	90170-06015	NUT ECROU				1	
21	95380-06700	NUT ECROU				1	
22	68T-44111-10	HANDLE, GEAR SHIFT POIGNEE, LEVIER D'EMBAYAGE				1	
23	663-48344-00	CABLE END, REMOTE CONTROL CHAPE CABLE				1	
24	90468-18008	CLIP JONC				1	
25	68T-41638-00	PULLEY POULIE				1	
26	68T-41283-00	LEVER, FREE ACCEL. LEVIER				1	
27	90387-06M59	COLLAR COLLERETTE				1	

**E1**

FIG. 19 CONTROL 2

COMMANDE 2

REF. NO.	PART NO. NO. PIECES	DESCRIPTION DESCRIPTION	F6MH	F8MH	SAV	F8W	REMARKS REMARQUES
28	68T-41211-00	LINK, ACCEL. BIELLETTE, ACCELERATION				1	
29	68T-14497-00	STAY, THROTTLE WIRE SUPPORT DE BOISSEAU				1	
30	90201-06M62	WASHER, PLATE RONDELLE, PLATE				1	
31	97095-06045	BOLT BOULON				1	
32	92995-06600	WASHER RONDELLE				1	
33	97095-06012	BOLT BOULON				1	
34	92995-06600	WASHER RONDELLE				1	
35	661-41262-02	JOINT, CHOKE LEVER RACCORD, LEVIER DE STARTER				1	
36	647-14395-60	CAP, OVERFLOW PIPE COUVRE DE DURITE REFOULEMENT				1	
37	663-48344-00	CABLE END, REMOTE CONTROL CHAPE CABLE				1	
38	90468-18008	CLIP JONC				1	

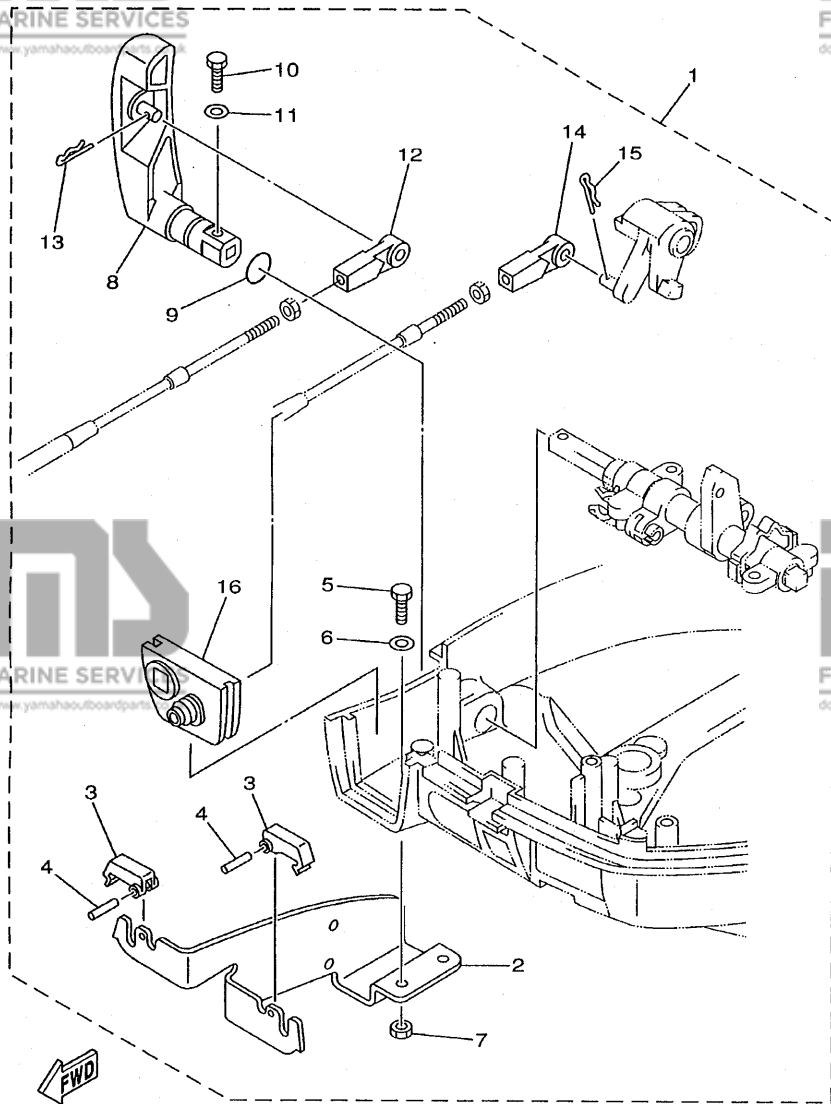


68R0300-0190



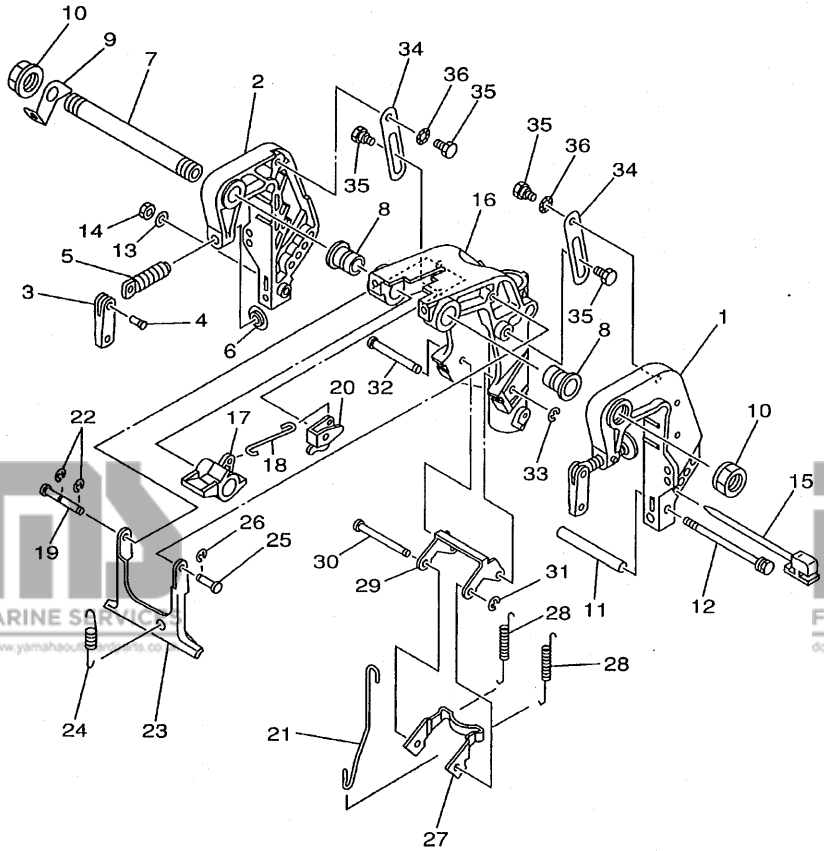
FIG. 20 REMOTE CONTROL ATTACHMENT

COMMANDE A DISTANCE



68R0010-1190

REF. NO.	PART NO. NO. PIECES	DESCRIPTION DESCRIPTION	F6M/H	F8M/H	SAV	F8W	REMARKS REMARQUES
1	68R-48501-00	REMOTE CONT. ATTACHMENT ASSY. COMMANDE A DISTANCE (KIT)	1	1	1		AP
2	68T-48531-00	.BRACKET, REMOTE CONTROL 1 .ETRIER 1, COMMANDE A DISTANCE	1	1	1		
3	682-48538-50	.CLAMP, CABLE 1 .COLLIER	2	2	2		
4	91690-30012	.PIN, SPRING .GOUPILLE, ELASTIQUE	2	2	2		
5	97095-06012	.BOLT .BOULON	2	2	2		
6	92995-06600	.WASHER .RONDELLE	2	2	2		
7	95380-06600	.NUT, HEXAGON .ECROU	2	2	2		
8	68T-44111-10	.HANDLE, GEAR SHIFT .POIGNEE, LEVIER D'EMBAYAGE	1	1	1		
9	93210-12327	.O-RING .JOINT TORIQUE	1	1	1		
10	97095-05016	.BOLT .BOULON	1	1	1		
11	92995-05600	.WASHER .RONDELLE	1	1	1		
12	663-48344-00	.CABLE END, REMOTE CONTROL .CHAPE CABLE	1	1	1		
13	90468-18008	.CLIP .JONC	1	1	1		
14	663-48344-00	.CABLE END, REMOTE CONTROL .CHAPE CABLE	1	1	1		
15	90468-18008	.CLIP .JONC	1	1	1		
16	68T-42725-10	.GROMMET .PASSE-FIL	1	1	1		



**FWD**  
68R0010-0200

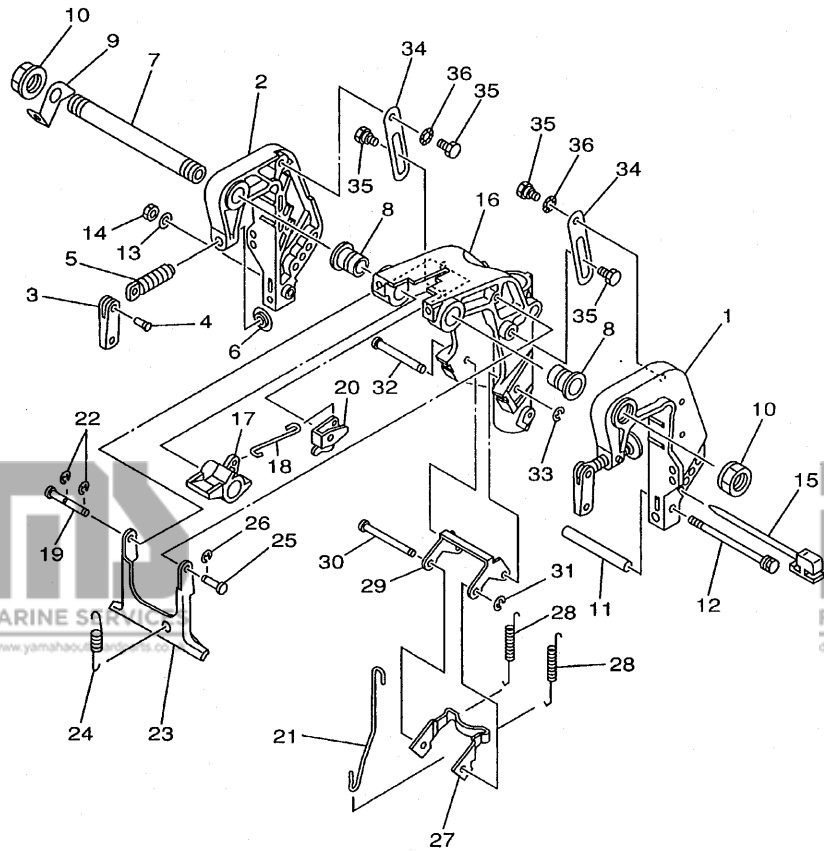
**FIG. 21 BRACKET 1**

**SUPPORT 1**

REF. NO.	PART NO. NO. PIECES	DESCRIPTION DESCRIPTION	F8M/H	F8M/H	SAV	F8W	REMARKS REMARQUES
1	68T-43111-01-4D	BRACKET, CLAMP PRESSE	1	1	1	1	
2	68T-43112-01-4D	BRACKET, CLAMP PRESSE	1	1	1	1	
3	6E0-43118-01	HANDLE, TRANSOM CLAMP POIGNEE DE VIS DE PRESSE	2	2	2	2	
4	90243-04M01	PIN GOUPILLE	2	2	2	2	
5	677-43116-01	SCREW, TRANSOM CLAMP VIS DE PRESSE	2	2	2	2	
6	648-43114-01	PAD, TRANSOM CLAMP RONDELLE D'APPUI	2	2	2	2	
7	63V-43131-10	BOLT, CLAMP BRACKET BOULON, PRESSE	1	1	1	1	FOR RIDE GUIDE (L:283MM)
8	90386-22MA4	BUSH DOUILLE	2	2	2	2	
9	66R-43113-00	PLATE, CLAMP BRACKET PLAQUETTE, PRESSE	1	1	1	1	
10	63V-43145-00	CAP, CLAMP BRACKET CAPUCHON, PRESSE	2	2	2	2	
11	90387-06M13	COLLAR COLLERETTE	1	1	1	1	
12	90101-06M18	BOLT BOULON	1	1	1	1	
13	92990-06600	WASHER, PLATE RONDELLE, PLATE	1	1	1	1	
14	95380-06700	NUT ECROU	1	1	1	1	
15	6L2-43160-00	TILT ROD ASSY BROCHE D'INCLINAISON (ENS.)	1	1	1	1	
16	68T-43311-00-4D	BRACKET, SWIVEL 1 SUPPORT, PIVOT 1	1	1	1	1	S
	68T-43311-10-4D	BRACKET, SWIVEL 1 SUPPORT, PIVOT 1	1	1	1		L
17	68T-43631-00	LEVER, TILT LEVIER, INCLINAISON	1	1	1	1	
18	68T-43616-00	ROD, TILT LOCK TIGE	1	1	1	1	
19	68T-43646-00	SHAFT, LEVER AXE, LEVER	1	1	1	1	
20	68T-43641-00	LEVER, TILT LEVIER, INCLINAISON	1	1	1	1	
21	68T-43617-00	ROD, TILT LOCK TIGE	1	1	1	1	
22	99080-05600	CIRCLIP CIRCLIP	2	2	2	2	
23	68T-43350-00	RECEIVER ASSY RECEIVER ASSY	1	1	1	1	
24	90506-18M41	SPRING, TENSION RESSORT, TENSION	1	1	1	1	S
	90506-20005	SPRING, TENSION RESSORT, TENSION	1	1	1		L
25	63V-43191-00	SHAFT, STOPPER AXE, BUTEE	1	1	1	1	

**FIG. 21 BRACKET 1**

**SUPPORT 1**



REF. NO.	PART NO. NO. PIECES	DESCRIPTION DESCRIPTION	F6MH	F8MH	SAV	F8W	REMARKS REMARQUES
26	99080-05600	CIRCLIP CIRCLIP	1	1	1	1	
27	68T-43614-00	PLATE, TILT LOCK ETRIER, VERROUILLAGE MARCHE AR	1	1	1	1	
28	90506-20M42	SPRING, TENSION RESSORT, TENSION	2	2	2	2	S
	90506-23003	SPRING, TENSION RESSORT, TENSION	2	2	2		L
29	68T-43615-00	PLATE, TILT LOCK ETRIER, VERROUILLAGE MARCHE AR	1	1	1	1	
30	68T-43611-00	SHAFT, TILT LOCK AXE, VERROUILLAGE MARCHE AR	1	1	1	1	
31	93430-04M03	CIRCLIP CIRCLIP, TYPE S	1	1	1	1	
32	68T-43659-00	SHAFT, REVERSE LOCK AXE, VERROUILLAGE MARCHE AR	1	1	1	1	
33	99080-05600	CIRCLIP CIRCLIP	1	1	1	1	
34	68T-43627-00	STOPPER PLAQUETTE	2	2	2	2	
35	90109-06M84	BOLT BOULON	4	4	4	4	
36	90206-10M24	WASHER, WAVE RONDELLE, ONDULEE	2	2	2	2	



68R0010-0200

**E5**

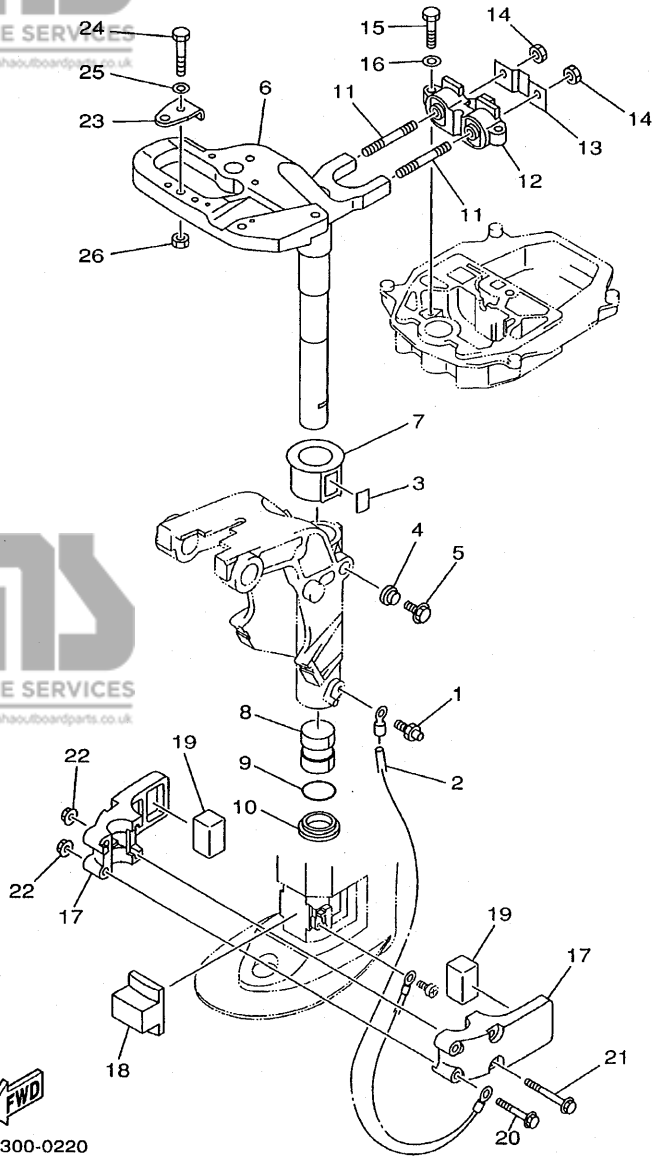


FIG. 22 BRACKET 2

SUPPORT 2

REF. NO.	PART NO. NO. PIECES	DESCRIPTION DESCRIPTION	FBMH	FBMH	SAV	FBW	REMARKS REMARQUES
1	93700-06M03	NIPPLE, GREASE GRAISSEUR	1	1	1	1	
2	68T-82127-00	WIRE, LEAD 2 FIL 2	1	1	1	1	
3	63V-42528-00	PLATE, FRICTION PLAQUE, FRICTION	1	1	1	1	
4	689-43373-01	SEAL, DAMPER JOINT	1	1	1	1	
5	90105-06M07	BOLT, WASHER BASED BOULON, AVEC RONDELLE	1	1	1	1	
6	68T-42511-01-4D	BRACKET, STEERING CADRE, DIRECTION	1	1	1	1	S
	68T-42511-11-4D	BRACKET, STEERING CADRE, DIRECTION	1	1	1	1	L
7	63V-42537-00	BUSHING, PIVOT SHAFT COUSSINET	1	1	1	1	
8	90386-30048	BUSH DOUILLE	1	1	1	1	
9	93210-29M94	O-RING JOINT TORIQUE	1	1	1	1	
10	90386-30M60	BUSH DOUILLE	1	1	1	1	
11	90116-08M54	BOLT, STUD GOUJON	2	2	2	2	
12	68T-44517-00-94	MOUNT RUBBER SILENT-BLOC	1	1	1	1	
	68T-44517-10-94	MOUNT RUBBER SILENT-BLOC				1	
13	68T-44526-00	PLATE PLAQUE	1	1	1	1	
14	95380-08600	NUT ECROU	2	2	2	2	
15	97075-06025	BOLT BOULON	2	2	2	2	
16	92995-06600	WASHER RONDELLE	2	2	2	2	
17	68T-44551-00-4D	HOUSING, LOWER MOUNT RUBBER BOITIER, SILENT-BLOC INFÉRIEUR	2	2	2	2	
18	68T-44557-00	MOUNT DAMPER, LOWER FRONT SILENT-BLOC, INFÉRIEUR AVANT	1	1	1	1	
19	682-44555-00	MOUNT DAMPER, LOWER SIDE SILENT-BLOC, INFÉRIEUR LATERAL	2	2	2	2	
20	90119-06012	BOLT, WITH WASHER BOULON, AVEC RONDELLE	2	2	2	2	
21	90119-06013	BOLT, WITH WASHER BOULON, AVEC RONDELLE	2	2	2	2	
22	90179-06M28	NUT ECROU	4	4	4	4	
23	63V-48511-01	HOOK, STEERING ATTACHE, DIRECTION				1	
24	97075-08035	BOLT BOULON				1	
25	92995-08600	WASHER RONDELLE				1	

**E6**

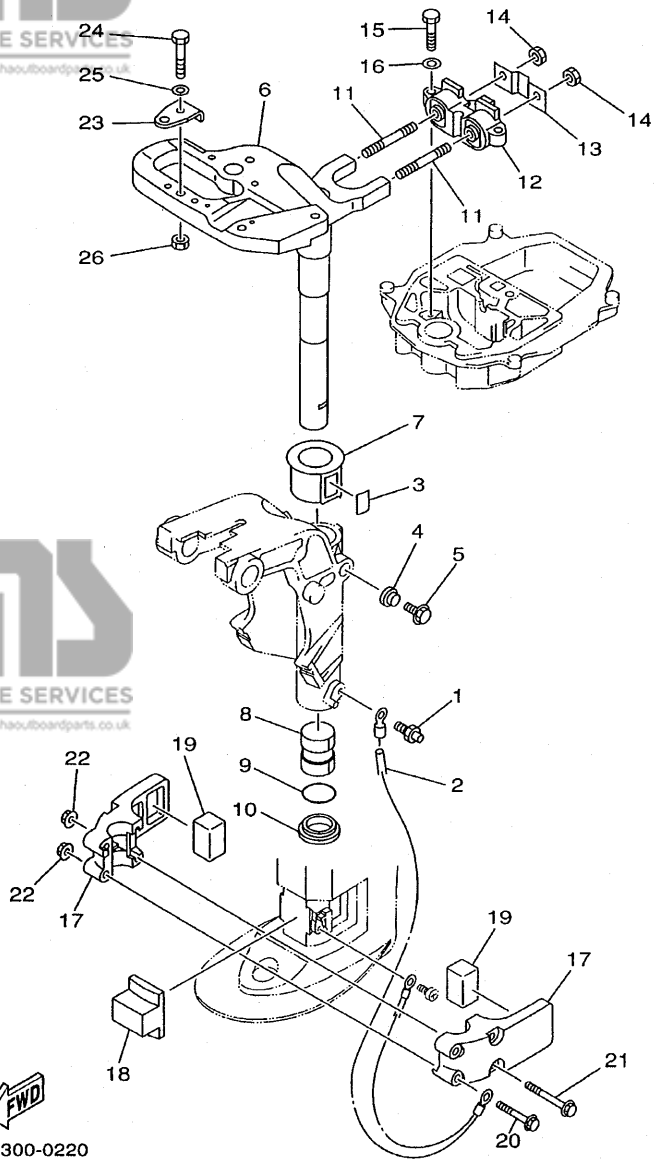


FIG. 22 BRACKET 2

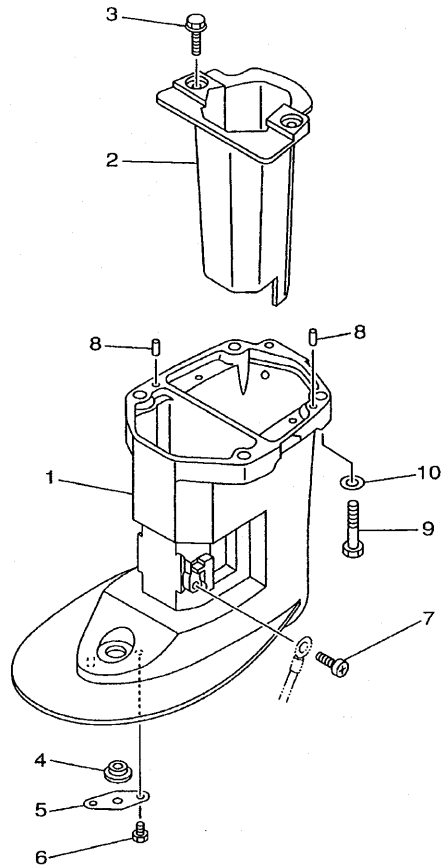
SUPPORT 2

REF. NO.	PART NO. NO. PIECES	DESCRIPTION DESCRIPTION	F6MH	F8MH	SAV	F8W	REMARKS REMARQUES
26	90185-08057	NUT, SELF-LOCKING ECROU, AUTO-BLOCANT				1	

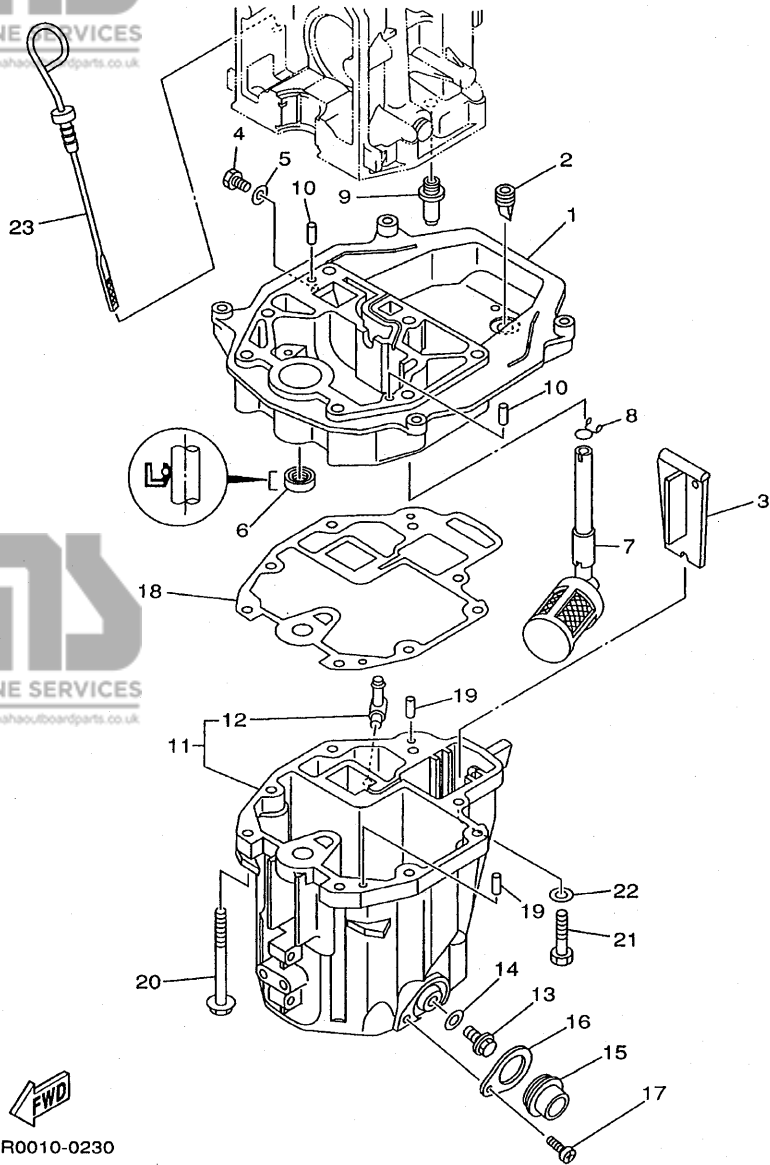
FIG. 23 UPPER CASING

FOURREAU

REF. NO.	PART NO. NO. PIECES	DESCRIPTION DESCRIPTION	F6MH	F8MH	SAV	F8W	REMARKS REMARQUES
1	68T-45111-00-4D	CASING, UPPER FOURREAU	1	1	1	1	S
	68T-45111-10-4D	CASING, UPPER FOURREAU	1	1	1		L
2	68T-14711-00-5B	MUFFLER 1 POT D'ECHAPPEMENT 1	1	1	1	1	
3	97575-06514	BOLT, WITH WASHER VIS HEXAGONAL AVC RONDELLE	2	2	2	2	
4	90480-14M54	GROMMET PASSE-FIL	1	1	1	1	
5	68T-45321-00	PLATE PLAQUETTE	1	1	1	1	
6	97095-06008	BOLT BOULON	1	1	1	1	
7	97885-05008	SCREW, PAN HEAD VIS, TETE TRONCONIQUE	1	1	1	1	
8	93604-12M07	PIN, DOWEL GOUJON	2	2	2	2	
9	97075-08035	BOLT BOULON	4	4	4	4	
10	92995-08600	WASHER RONDELLE	4	4	4	4	



68R0010-0220



68R0010-0230

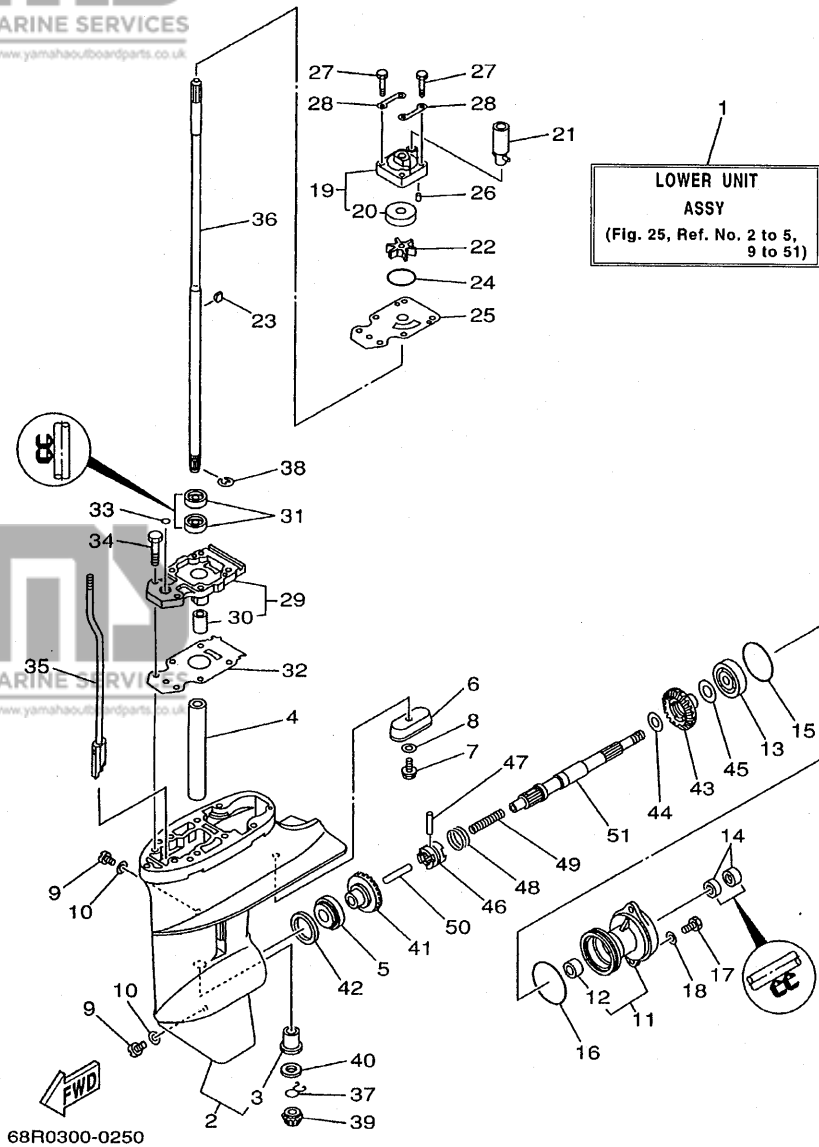
**FIG. 24 OIL PAN**

**VENTILATEUR D'HUILE**

REF. NO.	PART NO. NO. PIECES	DESCRIPTION DESCRIPTION	F6MH	F8MH	SAV	F8W	REMARKS REMARQUES
1	68T-41137-00-94	GUIDE, EXHAUST COLLECTEUR D'ÉCHAPPEMENT	1	1	1	1	
2	65W-42717-00	RUBBER, SEAL 2 JOINT EN CAOUTCHOUC 2	1	1	1	1	
3	68T-45181-00	PLATE PLAQUETTE	1	1	1	1	
4	97095-08014	BOLT BOULON	1	1	1	1	
5	90430-08143	GASKET JOINT	1	1	1	1	
6	93101-12M70	OIL SEAL JOINT SPY	1	1	1	1	
7	68T-13421-01	STRAINER 2 FILTRE 2	1	1	1	1	
8	90467-11M08	CLIP JONC	1	1	1	1	
9	6G8-11575-00	RELIEF VALVE ASSY SOUPAPE DE RENTREE D'AIR	1	1	1	1	
10	93606-12019	PIN, DOWEL GOUJON	2	2	2	2	
11	68T-15311-00-5B	OIL PAN VENTILATEUR D'HUILE	1	1	1	1	
12	6H1-11372-00	.NIPPLE, HOSE .RACCORD, TUYAU	1	1	1	1	
13	90340-10M10	PLUG, STRAIGHT SCREW PLOT, FILETE DROIT	1	1	1	1	
14	90430-10M11	GASKET JOINT	1	1	1	1	
15	68T-15316-00	DAMPER, ENGINE MOUNT 1 AMORTISSEUR DE SUPPORT	1	1	1	1	
16	68T-15317-00	SPACER, ENGINE MOUNT ENTRETOISE DE SUPPORT	1	1	1	1	
17	97885-05008	SCREW, PAN HEAD VIS, TETE TRONCONIQUE	1	1	1	1	
18	68T-13475-00	GASKET JOINT	1	1	1	1	
19	93604-12M07	PIN, DOWEL GOUJON	2	2	2	2	
20	90119-08005	BOLT, WITH WASHER BOULON, AVEC RONDELLE	6	6	6	6	
21	97075-08030	BOLT BOULON	2	2	2	2	
22	92995-08600	WASHER RONDELLE	2	2	2	2	
23	68T-15362-00	PLUG, OIL LEVEL PLOT, NIVEAU D'HUILE	1	1	1	1	

FIG. 25 LOWER CASING. DRIVE 1

BOITIER D'HELICE, TRANSMISSION 1

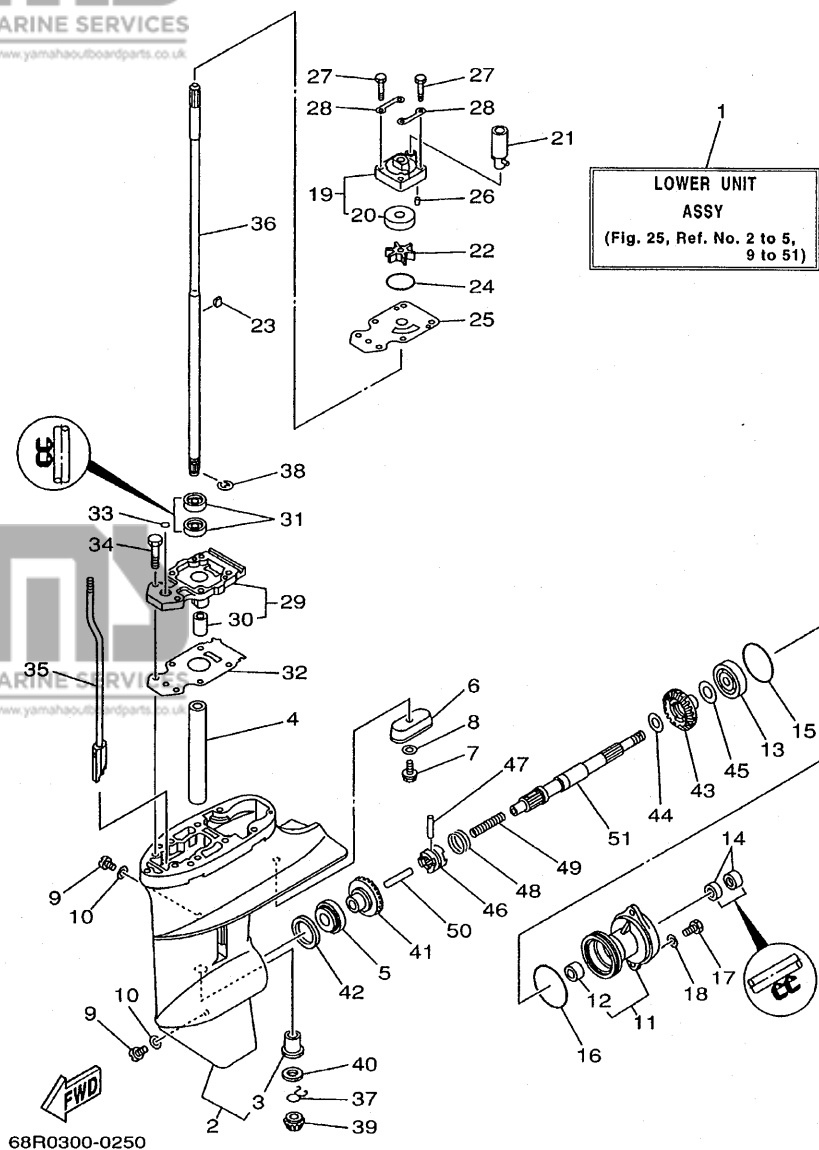


REF. NO.	PART NO. NO. PIECES	DESCRIPTION DESCRIPTION	FGMH	FBMH	SAV	FBW	REMARKS REMARQUES
1	68T-45300-00-4D	LOWER UNIT ASSY UNITE INFERIEURE (ENS.)	1	1	1	1	S
	68T-45300-10-4D	LOWER UNIT ASSY UNITE INFERIEURE (ENS.)	1	1	1		L
2	68T-45311-00-4D	CASING, LOWER BOITIER D'HELICE	1	1	1	1	
3	6G1-45317-09	.BUSHING, DRIVE SHAFT .DOUILLE, ARBRE MOTEUR	1	1	1	1	
4	90387-14M49	COLLAR COLLERETTE	1	1	1	1	
5	93306-004U0	BEARING ROULEMENT	1	1	1	1	
6	68T-45251-00	ANODE ANODE	1	1	1	1	
7	95895-06016	BOLT, FLANGE BOULON, A COLLERETTE	1	1	1	1	
8	92990-06300	WASHER, INTERNAL TOOTH RONDELLE, DENTURE INTERNE	1	1	1	1	
9	90340-08M04	PLUG, STRAIGHT SCREW PLOT, FILETE DROIT	2	2	2	2	
10	90430-08020	GASKET JOINT	2	2	2	2	
11	6G1-45361-01-4D	CAP, LOWER CASING COUVERCLE, BOITIER D'HELICE	1	1	1	1	
12	6G1-45362-09	.BUSHING .COUSSINET	1	1	1	1	
13	93306-004U0	BEARING ROULEMENT	1	1	1	1	
14	93101-15074	OIL SEAL JOINT SPY	2	2	2	2	
15	93210-49046	O-RING JOINT TORIQUE	1	1	1	1	
16	93210-53M08	O-RING JOINT TORIQUE	1	1	1	1	
17	97095-06016	BOLT BOULON	2	2	2	2	
18	92995-06600	WASHER RONDELLE	2	2	2	2	
19	63V-44301-00	WATER PUMP HOUSING COMP. CARTER, POMPE A EAU (ENS)	1	1	1	1	
20	63V-44322-00	.INSERT, CARTRIDGE .CUVETTE	1	1	1	1	
21	68T-44366-00	DAMPER, WATER SEAL JOINT, TUBE D'EAU	1	1	1	1	
22	68T-44352-00	IMPELLER TURBINE	1	1	1	1	
23	664-44338-00	KEY, WOODRUFF CLAVETTE, VOLANT	1	1	1	1	
24	93210-44398	O-RING JOINT TORIQUE	1	1	1	1	
25	68T-44323-00	OUTER PLATE, CARTRIDGE PLAQUE EXTERIEURE	1	1	1	1	
26	93604-12M07	PIN, DOWEL GOUJON	2	2	2	2	

**F3**



**FIG. 25 LOWER CASING. DRIVE 1 BOITIER D'HELICE, TRANSMISSION 1**



REF. NO.	PART NO. NO. PIECES	DESCRIPTION DESCRIPTION	FGMH	FBMH	SAV	FBW	REMARKS REMARQUES
27	97080-08045	BOLT BOULON	4	4	4	4	
28	63V-44328-00	PLATE PLAQUETTE	2	2	2	2	
29	68T-45331-00-5B	HOUSING, BEARING FLASQUE, ROULEMENT	1	1	1	1	
30	6G1-45316-09	BUSHING, DRIVE SHAFT DOUILLE, ARBRE MOTEUR	1	1	1	1	
31	93101-11M23	OIL SEAL JOINT SPY	2	2	2	2	
32	68T-45315-A0	PACKING, LOWER CASING JOINT, BOITIER D'HELICE	1	1	1	1	
33	93210-06ME6	O-RING JOINT TORIQUE	1	1	1	1	
34	97080-08025	BOLT BOULON	2	2	2	2	
35	68T-44150-00	SHIFT CAM ASSY CAME D'INVERSION	1	1	1	1	
36	68T-45511-00	SHAFT, DRIVE ARBRE, MOTEUR	1	1	1	1	S
	68T-45511-10	SHAFT, DRIVE ARBRE, MOTEUR	1	1	1	1	L
37	90467-09M05	CLIP JONC	1	1	1	1	
38	93430-07012	CIRCLIP CIRCLIP, TYPE S	1	1	1	1	
39	68T-45551-00	PINION PIGNON D'ATTAQUE	1	1	1	1	
40	6G1-45533-00-19	SHIM (T:1.9MM) CALE (T:1.9MM)	1	1	1	1	UR
	6G1-45533-00-20	SHIM (T:2.0MM) CALE (T:2.0MM)	1	1	1	1	UR
	6G1-45533-00-21	SHIM (T:2.1MM) CALE (T:2.1MM)	1	1	1	1	UR
	6G1-45533-00-22	SHIM (T:2.2MM) CALE (T:2.2MM)	1	1	1	1	UR
41	68T-45560-00	GEAR PIGNON	1	1	1	1	
42	664-45587-01-10	SHIM (T:0.10MM) CALE (T:0.10MM)	1	1	1	1	UR
	664-45587-01-12	SHIM (T:0.12MM) CALE (T:0.12MM)	1	1	1	1	UR
	664-45587-01-15	SHIM (T:0.15MM) CALE (T:0.15MM)	1	1	1	1	UR
	664-45587-01-18	SHIM (T:0.18MM) CALE (T:0.18MM)	1	1	1	1	UR
	664-45587-01-30	SHIM (T:0.30MM) CALE (T:0.30MM)	1	1	1	1	UR
	664-45587-01-40	SHIM (T:0.40MM) CALE (T:0.40MM)	1	1	1	1	UR
	664-45587-01-50	SHIM (T:0.50MM) CALE (T:0.50MM)	1	1	1	1	UR
43	68T-45571-00	GEAR PIGNON	1	1	1	1	

**F4**

FIG. 25 LOWER CASING. DRIVE 1

BOITIER D'HELICE, TRANSMISSION 1

REF. NO.	PART NO. NO. PIECES	DESCRIPTION DESCRIPTION	F6MH	F8MH	SAV	F6W	REMARKS REMARQUES
44	90201-15M89	WASHER, PLATE RONDELLE, PLATE	1	1	1	1	
45	647-45567-00	SHIM (T:0.10MM) CALE (T:0.10MM)	1	1	1	1	
46	68T-45631-00	CLUTCH, DOG CRABOT	1	1	1	1	
47	6G1-45632-00	PIN, CROSS GOUPILLE DE CRABOT	1	1	1	1	
48	654-45633-00	RING, CROSS PIN JONG. GOUPILLE CRABOT	1	1	1	1	
49	90501-12M05	SPRING, COMPRESSION RESSORT, COMPRESSION	1	1	1	1	
50	6G1-45635-00	PLUNGER, SHIFT POUSSOIR D'EMBRAYAGE	1	1	1	1	
51	68T-45611-00	SHAFT, PROPELLER ARBRE, HELICE	1	1	1	1	

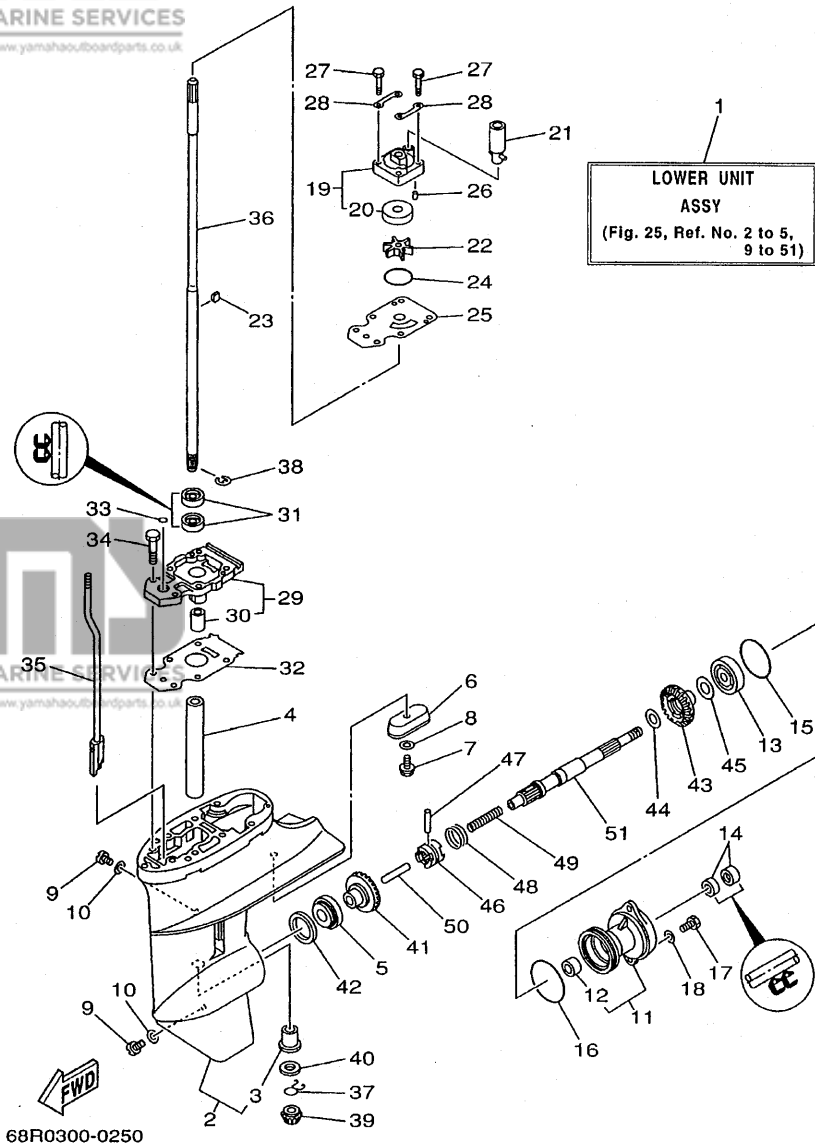
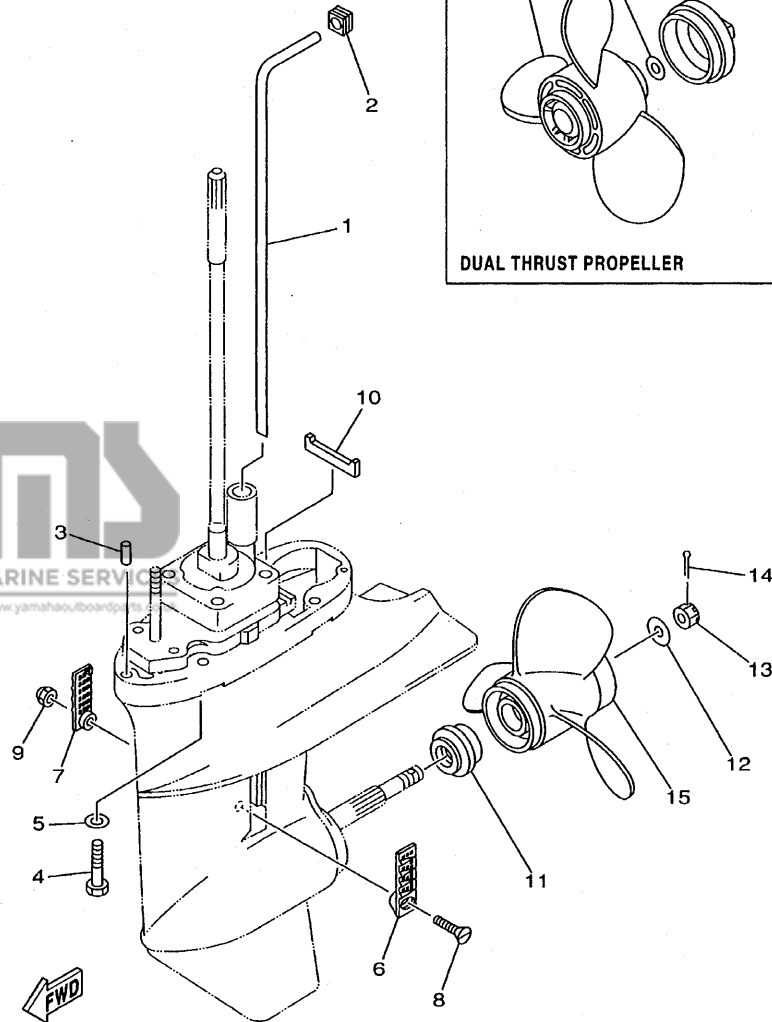
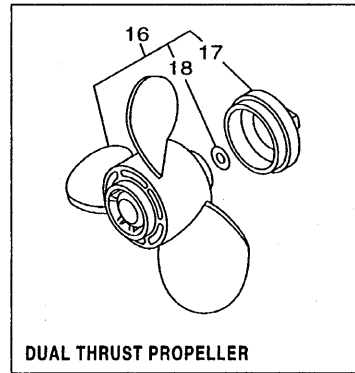


FIG. 26 LOWER CASING. DRIVE 2

BOITIER D'HELICE, TRANSMISSION 2

REF. NO.	PART NO. NO. PIECES	DESCRIPTION DESCRIPTION	FSM/H	FSM/H	SAV	FSW	REMARKS REMARQUES
	68T-44361-00	TUBE, WATER TUBE D'EAU	1	1	1	1	FLOOD MARINE SERVICES
	68T-44361-10	TUBE, WATER TUBE D'EAU	1	1	1	1	L
2	63V-44365-10	DAMPER, WATER SEAL JOINT, TUBE D'EAU	1	1	1	1	
3	93604-12M07	PIN, DOWEL GOUJON	2	2	2	2	
4	97075-08035	BOLT BOULON	4	4	4	4	
5	92995-08600	WASHER RONDELLE	4	4	4	4	
6	6G1-45214-00	COVER, WATER INLET GRILLE, ENTREE D'EAU	1	1	1	1	
7	6G1-45215-00	COVER, WATER INLET GRILLE, ENTREE D'EAU	1	1	1	1	
8	90152-05M03	SCREW, COUNTERSUNK VIS, TETE NOYEE	1	1	1	1	
9	90185-05002	NUT, SELF-LOCKING ECROU, AUTO-BLOCANT	1	1	1	1	
10	63V-45375-00	DAMPER, SEAL BOURRELET, CAOUTCHOUC	1	1	1	1	
11	6G1-45987-02	SPACER ENTRETOISE	1	1	1	1	
12	90201-10M01	WASHER, PLATE RONDELLE, PLATE	1	1	1	1	
13	90171-10M01	NUT, CASTLE ECROU, CRENELE	1	1	1	1	
14	91490-30020	PIN, COTTER GOUPILLE, FENDUE	1	1	1	1	
15	6G1-45941-00-EL	PROPELLER (3X8-1/2"X8-1/2"-N) HELICE (3X8-1/2"X8-1/2"-N)	1	1	1	1	UR
	6G1-45943-00-EL	PROPELLER (3X8-1/2"X7-1/2"-N) HELICE (3X8-1/2"X7-1/2"-N)	1	1	1	1	UR
	6G1-45947-00-EL	PROPELLER (3X8-1/2"X6-1/2"-N) HELICE (3X8-1/2"X6-1/2"-N)	1	1	1	1	UR
	6G1-45952-00-EL	PROPELLER (3X8-1/2"X8"-N) HELICE (3X8-1/2"X8"-N)	1	1	1	1	UR
16	6G1-W4591-01-EL	PROPELLER (3X9"X7"-N) HELICE (3X9"X7"-N)	1	1	1	1	UR DUAL THRUST PROP.
	6G1-W4592-00-EL	PROPELLER (3X9"X5"-N) HELICE (3X9"X5"-N)	1	1	1	1	UR DUAL THRUST PROP.
17	6G1-45616-01	.NUT, PROPELLER .CONE, HELICE	1	1	1	1	
18	90201-10M02	.WASHER, PLATE .RONDELLE, PLATE	1	1	1	1	



68R0100-0230

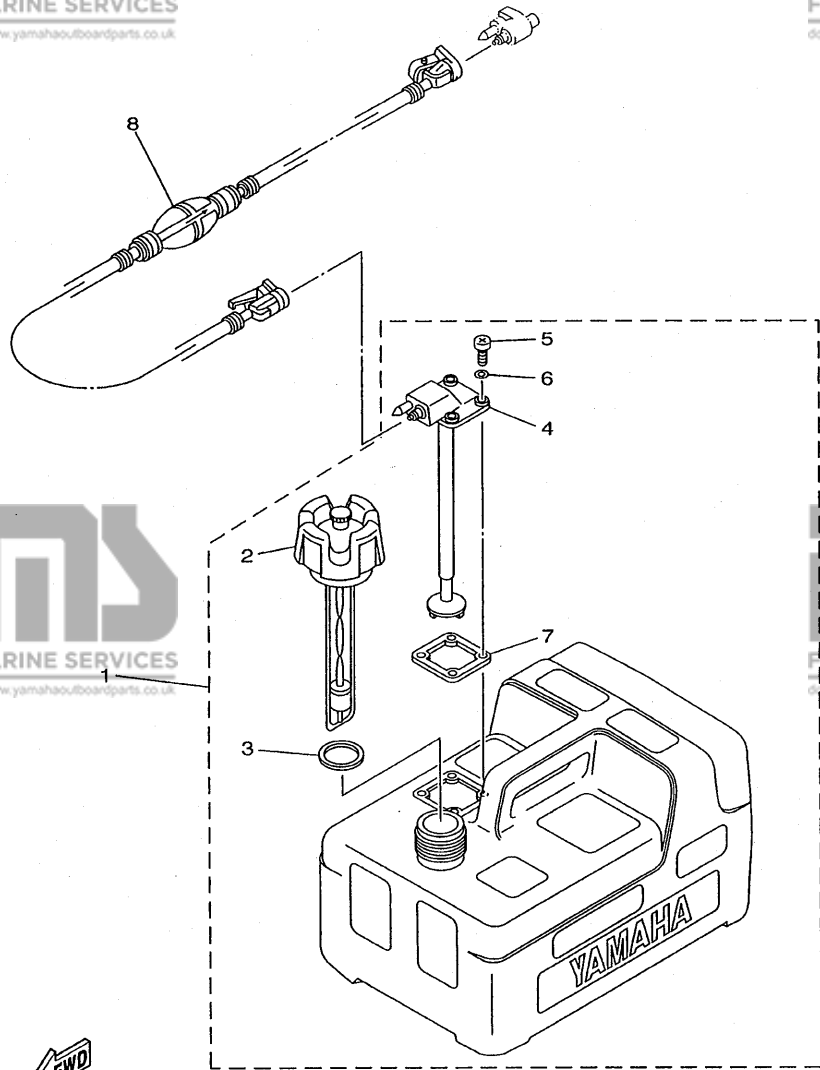


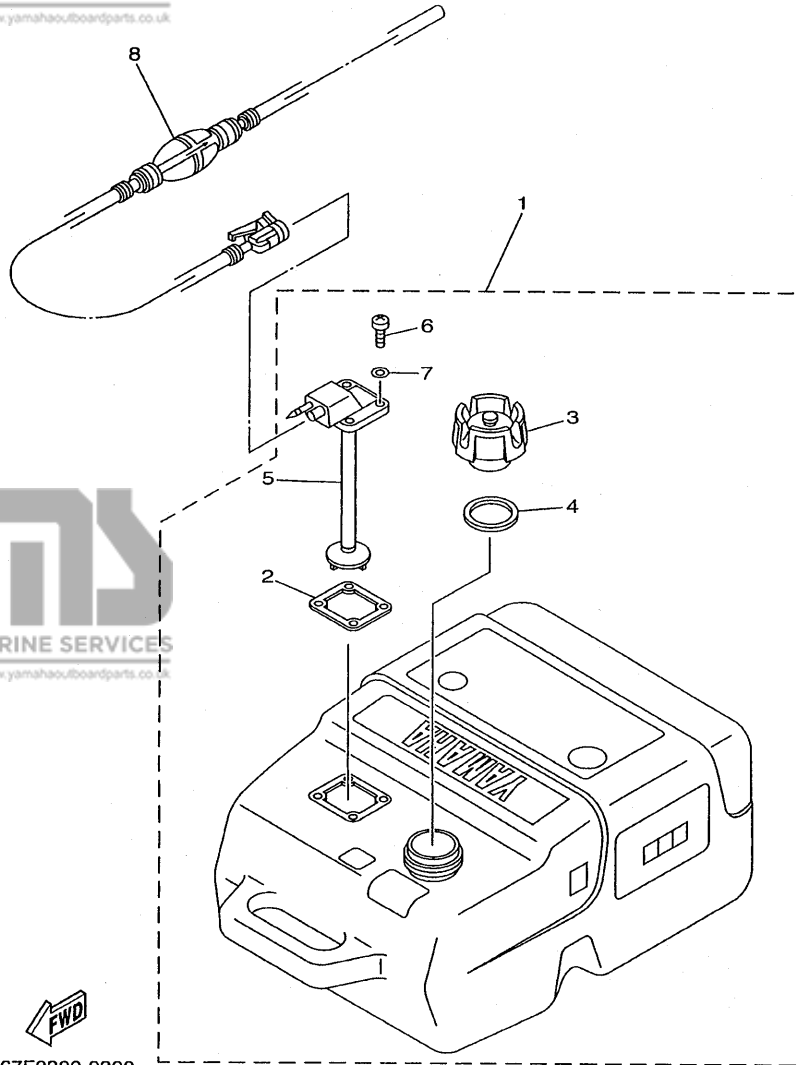
FIG. 27 FUEL TANK 1

RESERVOIR A CARBURANT 1

REF. NO.	PART NO. NO. PIECES	DESCRIPTION DESCRIPTION	F6MH	F8MH	SAV	F8W	REMARKS REMARQUES
1	6YL-24201-01	FUEL TANK ASSY (12L) RESERVOIR A ESSENCE (ENS.) 12L	1	1		1	AP
2	6YL-24610-00	.CAP ASSY .BOUCHON	1	1		1	
3	6YL-24641-00	.GASKET, CAP 1 .JOINT 1, BOUCHON	1	1		1	
4	6YL-24260-01	.FUEL METER ASSY .INDICATEUR DE CARBURANT	1	1		1	
5	90157-05M16	.SCREW, PAN HEAD .VIS, TETE TRONCONIQUE	4	4		4	
6	6YL-24329-00	.SEAL .JOINT	4	4		4	
7	6YL-24268-01	.GASKET, FUEL METER .JOINT, JAUGE A CARBURANT	1	1		1	
8	6YL-24306-52	FUEL PIPE COMP. 1 DURITE A ESSENCE 1	1	1		1	AP



66R0700-9260



67F0300-9300

FIG. 28 FUEL TANK 2

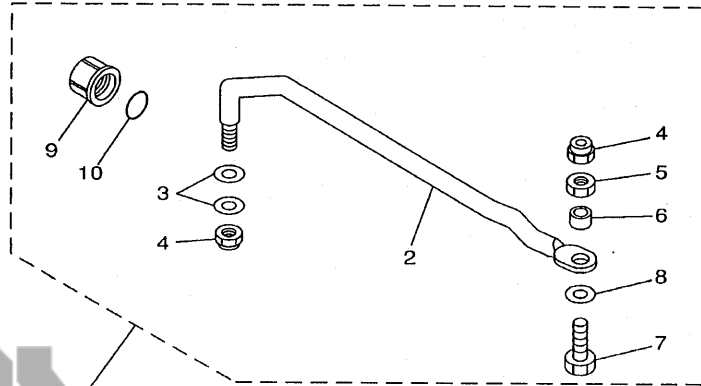
RESERVOIR A CARBURANT 2

REF. NO.	PART NO. NO. PIECES	DESCRIPTION DESCRIPTION	FGMH	FBMH	SAV	FBW	REMARKS REMARQUES
1	6YK-24201-10	FUEL TANK ASSY (25L) RESERVOIR A ESSENCE (ENS.) 25L			1		AP
2	6YL-24268-01	.GASKET, FUEL METER .JOINT, JAUGE A CARBURANT			1		
3	6YK-24610-10	.CAP ASSY .BOUCHON			1		WITHOUT INDICATOR
4	6YL-24641-00	.GASKET, CAP 1 .JOINT 1, BOUCHON			1		
5	6YK-24260-01	.FUEL METER ASSY .INDICATEUR DE CARBURANT			1		
6	90157-05M16	.SCREW, PAN HEAD .VIS, TETE TRONCONIQUE			4		
7	6YL-24329-00	.SEAL .JOINT			4		
8	6YL-24306-52	FUEL PIPE COMP. 1 DURITE A ESSENCE 1			1		AP

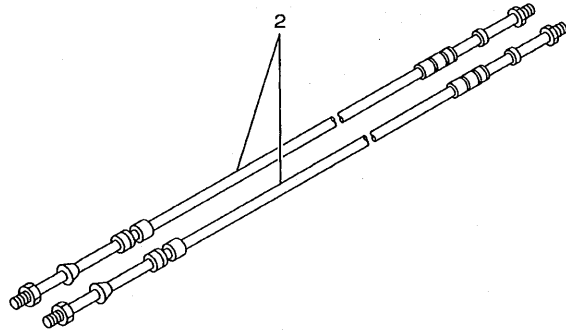
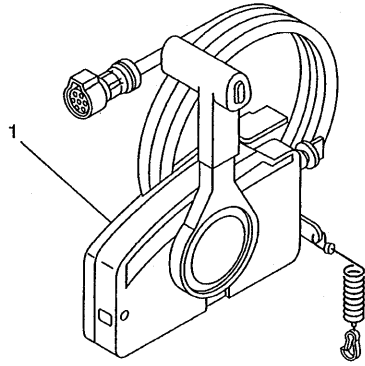
**FIG. 29 STEERING GUIDE**

**FIXATION DE DIRECTION**

REF. NO.	PART NO. NO. PIECES	DESCRIPTION DESCRIPTION	F8MH	F8MH	SAV	F8W	REMARKS REMARQUES
1	68T-61350-00	STEERING GUIDE ATTACHMENT KIT FIXATIONS DE DIRECTION				1	
2	68T-61351-00	.ROD, STEERING LINK .RENOI DE DIRECTION				1	
3	90201-10M20	.WASHER, PLATE .RONDELLE, PLATE				2	
4	90185-09M01	.NUT, SELF-LOCKING .ECROU, AUTO-BLOCANT				2	
5	90170-09M03	.NUT .ECROU				1	
6	90387-10M42	.COLLAR .COLLERETTE				1	
7	6E5-61355-00	.BOLT .BOULON				1	
8	90201-10M63	.WASHER, PLATE .RONDELLE, PLATE				1	
9	6E5-43145-01	.CAP, CLAMP BRACKET .CAPUCHON, PRESSE				1	
10	93210-16275	.O-RING .JOINT TORIQUE				1	



68R0300-0290



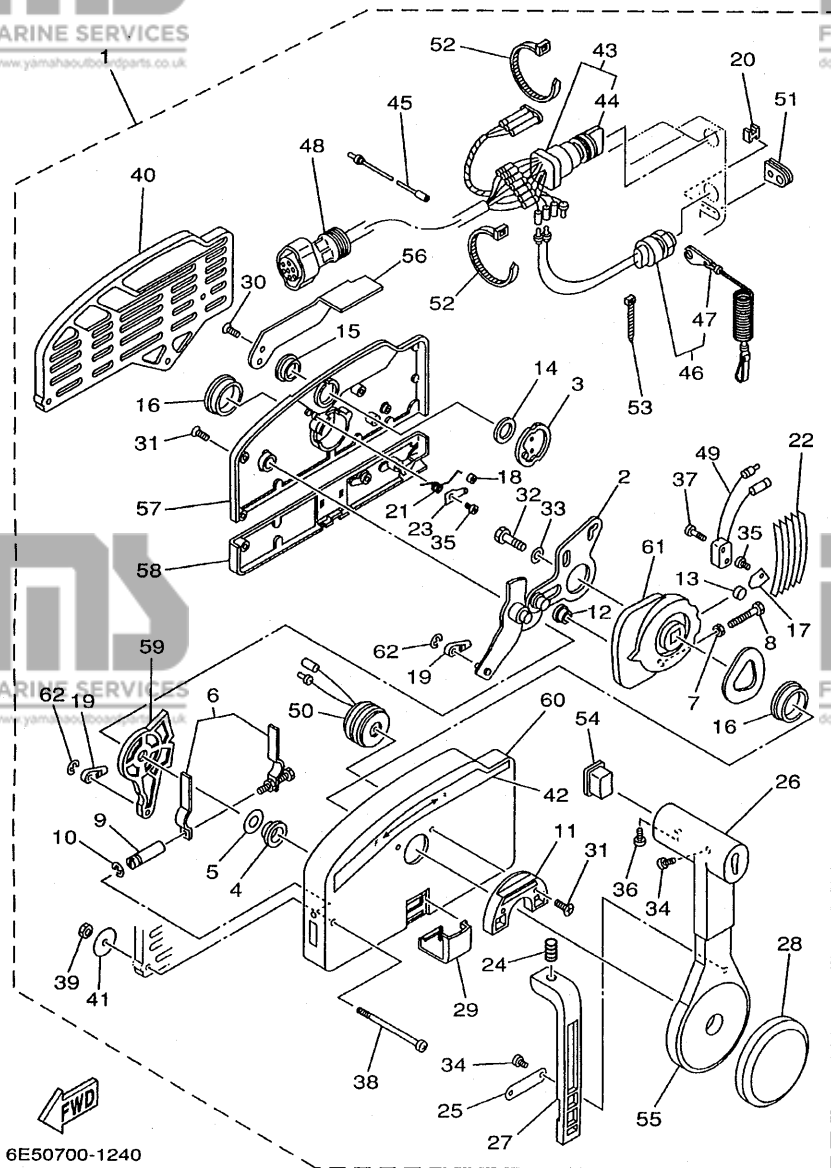
67M0100-8280

**FIG. 30 REMOTE CONTROL BOX**

**BOITIER DE COMMANDE A DISTANCE**

REF. NO.	PART NO. NO. PIECES	DESCRIPTION DESCRIPTION	F8MH	F8MH	SAV	F8W	REMARKS REMARQUES
1	703-48201-15	REMOTE CONTROL ASSY (10P) BOITIER DE COMMANDE A DISTANCE				1	AP
2	701-48310-80	CABLE, REMOTE CONTROL L=10F CABLE, COMMANDE A DISTANCE:10F				2	UR
	701-48310-90	CABLE, REMOTE CONTROL L=11F CABLE, COMMANDE A DISTANCE:11F				2	UR
	701-48320-00	CABLE, REMOTE CONTROL L=12F CABLE, COMMANDE A DISTANCE:12F				2	UR

**FIG. 31 REMOTE CONTROL ASSY BOITIER DE COMMANDE A DISTANCE**

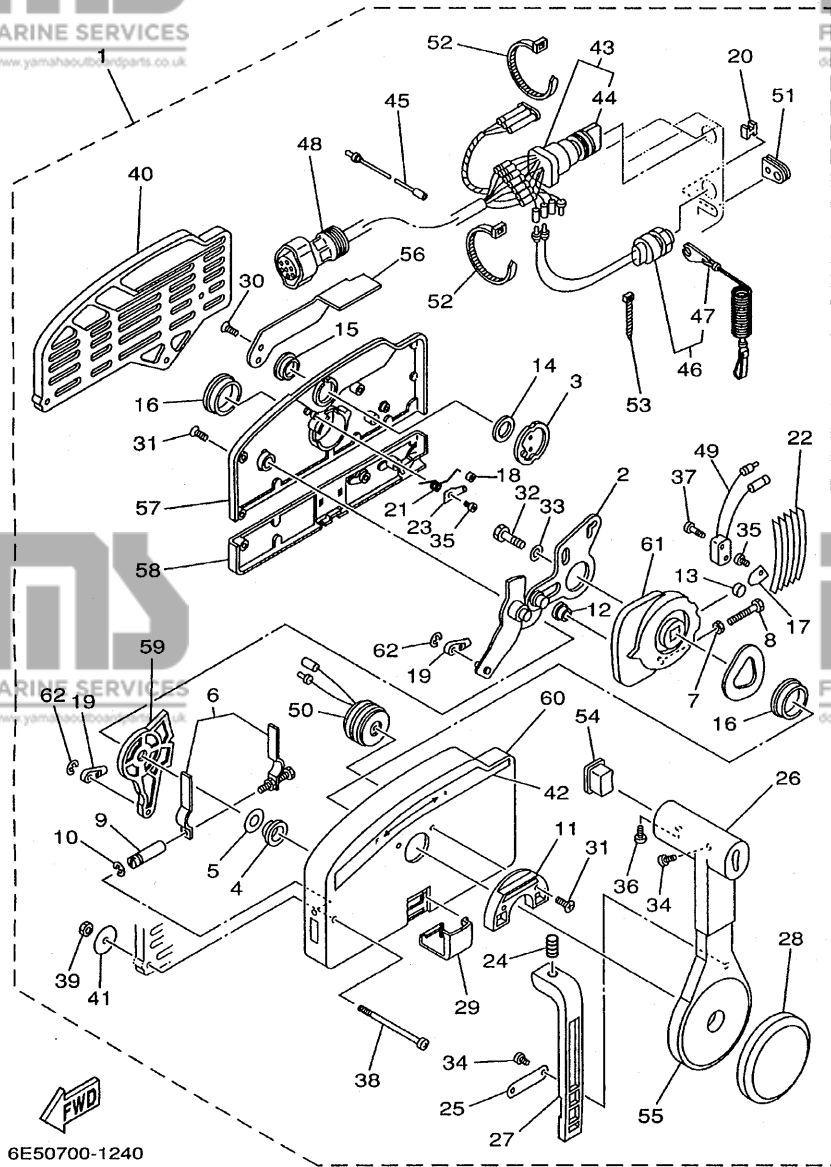


6E50700-1240

REF. NO.	PART NO. NO. PIECES	DESCRIPTION	F8MH	F8MH	SAV	F8W	REMARKS
1	703-48201-15	REMOTE CONTROL ASSY (10P) BOITIER DE COMMANDE A DISTANCE				1	FLAP
2	703-48261-01	.ARM, THROTTLE				1	
3	703-48153-00	.BRAS, ACCELERATION				1	
4	703-48235-00	.SHAFT, FREE ACCEL. .AXE				1	
5	703-48268-00	.BUSHING .COUSSINET				1	
6	703-48264-00	.SPACER .ENTRETOISE				1	
7	95380-05600	.NUT .ECROU				1	
8	97380-05025	.BOLT .BOULON				1	
9	703-48265-00	.SHAFT, FRICTION .AXE, COPILOTE				1	
10	93430-06024	.CIRCLIP				3	
11	703-48245-00	.CIRCLIP, TYPE S .PLATE, LOCK .PLAQUE, VERROU				1	
12	703-48252-00	.ROLLER, CAM .POULIE				1	
13	701-48248-00	.ROLLER, FREE ACCEL. .POULIE				1	
14	703-48198-00	.WASHER, WAVE .RONDELLE, ELASTIQUE ONDULEE				1	
15	703-48243-00	.BUSHING .COUSSINET				1	
16	703-48236-00	.BUSHING 1 .POULIE				2	
17	703-48189-00	.RETAINER .FLASQUE				1	
18	703-48234-00	.ROLLER, DETENT .POULIE				1	
19	703-48345-01	.CABLE END, REMOTE CONTROL 2 .CHAPE CABLE				2	
20	703-48358-00	.ANCHOR, CABLE .COLLIER				1	
21	703-48244-00	.SPRING, FREE ACCEL. .RESSORT				1	
22	703-48238-00	.SPRING, DETENT .RESSORT				5	
23	703-48246-00	.SPACER .ENTRETOISE				1	
24	703-48227-00	.SPRING, NEUTRAL LOCK .RESSORT				1	
25	703-48226-00	.PLATE, STOPPER .PLAQUETTE				1	
26	703-48222-00	.GRIP, CONTROL LEVER .POIGNEE, COMMANDE LEVIER				1	SINGLE
27	703-48223-00	.LOCK, NEUTRAL .VERROU, NEUTRAL				1	



**FIG. 31 REMOTE CONTROL ASSY BOITIER DE COMMANDE A DISTANCE**

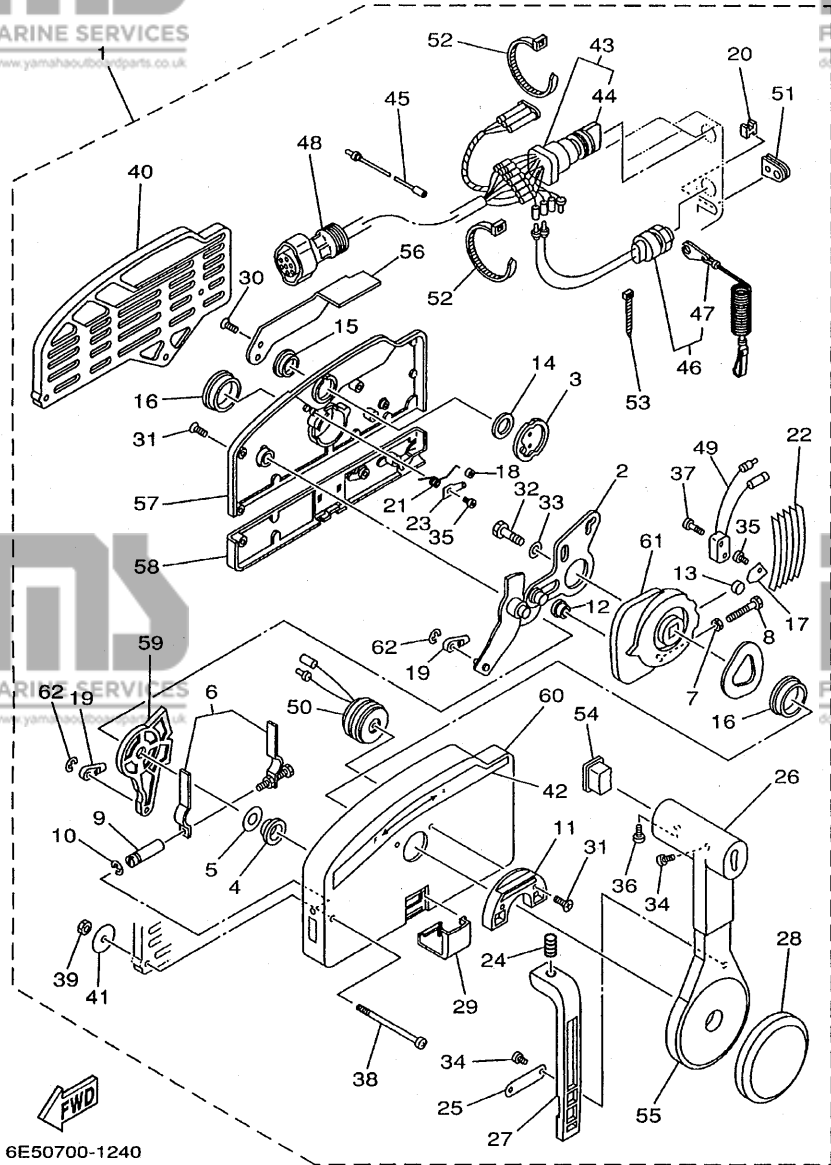


6E50700-1240

REF. NO.	PART NO. NO. PIECES	DESCRIPTION DESCRIPTION	F6MH	F8MH	SAV	F8W	REMARKS REMARQUES
28	703-48225-00	.COVER .COUVERCLE				1	
29	703-48219-00	.COVER, LEAD .COUVERCLE				1	
30	703-48281-00	.SCREW .VIS				2	
31	703-48282-00	.SCREW .VIS				7	
32	97095-08030	.BOLT .BOULON				1	
33	92990-08600	.WASHER, PLATE .RONDELLE, PLATE				1	
34	98580-04010	.SCREW, PAN HEAD .VIS, TETE TRONCONIQUE				3	
35	98580-04006	.SCREW, PAN HEAD .VIS, TETE TRONCONIQUE				2	
36	98580-05010	.SCREW, PAN HEAD .VIS, TETE TRONCONIQUE				1	
37	98580-03015	.SCREW, PAN HEAD .VIS, TETE TRONCONIQUE				2	
38	703-48291-10	.SCREW (M6) .VIS (M6)				3	
39	95380-06600	.NUT, HEXAGON .ECROU				3	
40	703-48293-10	.SPACER, REMOTE CONTROL .ENTRETOISE				1	SINGLE
41	701-48287-00	.WASHER .RONDELLE				3	
42	703-48215-00	.GRAPHIC .ADHESIF				1	
43	703-82510-42	.MAIN SWITCH ASSY .CONTACTEUR A CLEF COMPLET				1	
44	676-82577-00	.CAP, KEY .CABOCHON				1	
45	703-82531-00	.WIRE, LEAD .FIL				1	
46	688-82575-01	.ENGINE STOP SWITCH ASSY .COUPE CIRCUIT CPLT				1	
47	682-82556-00	.STOPPER .PLAQUETTE				1	
48	688-8258A-20	.EXTENSION, WIRE HARNESS .EXTENSION, FAISCEAU				1	L:5M (10P)
49	703-82540-00	.NEUTRAL SWITCH ASSY .CONTACTEUR DE POINT-MORT				1	
50	703-83383-02	.BUZZER .RONFLEUR				1	
51	703-48284-00	.GROMMET .PASSE-FIL				1	
52	703-82591-00	.BAND .COLLIER				2	
53	703-82592-00	.BAND .COLLIER				1	
54	703-48224-00	.COVER, CONTROL LEVER .COUVERCLE				1	WITHOUT PT/T SW.

**FIG. 31 REMOTE CONTROL ASSY**

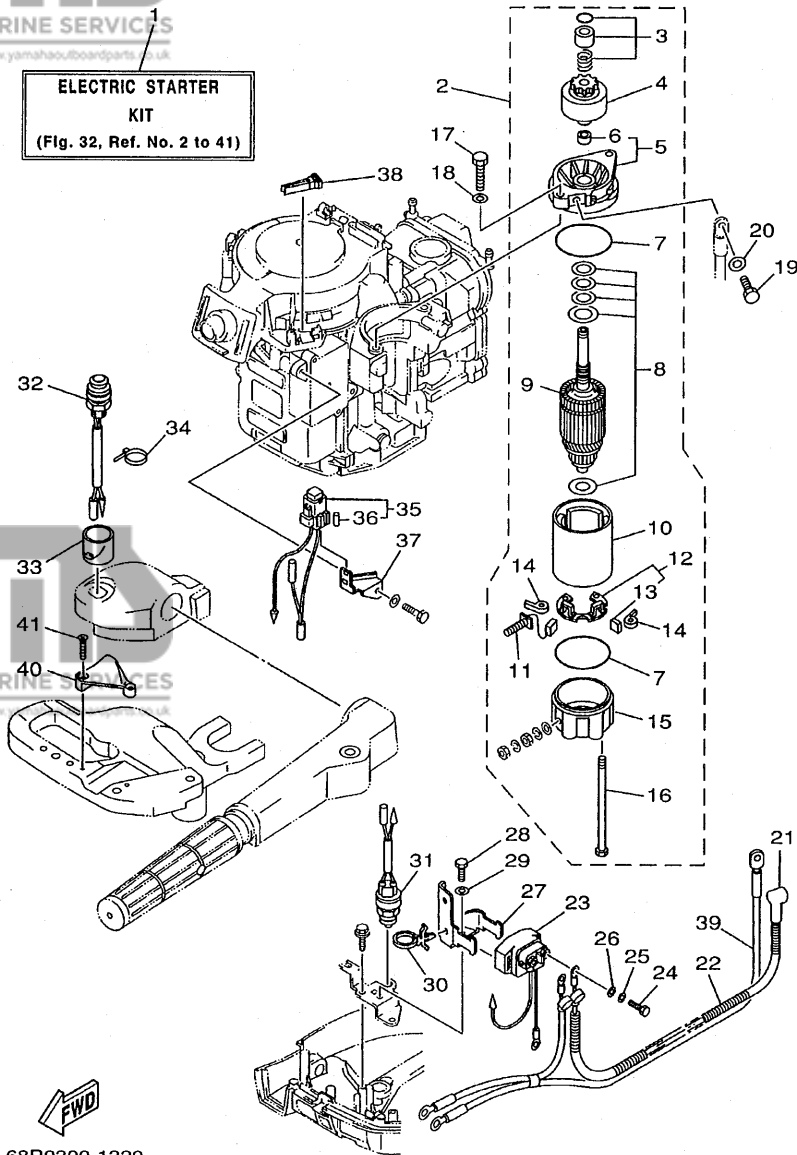
**BOITIER DE COMMANDE A DISTANCE**



6E50700-1240

REF. NO.	PART NO. NO. PIECES	DESCRIPTION DESCRIPTION	F6MH	F8MH	SAV	F8W	REMARKS REMARQUES
55	703-48221-00	.LEVER, CONTROL .LEVIER, COMMANDE				1	
56	703-48152-00	.KNOB, FREE ACCEL. .BOUTON				1	
57	703-48212-00	.BACK PLATE 1 .PLAQUETTE 1				1	
58	703-48213-00	.BACK PLATE 2 .PLAQUETTE 2				1	
59	703-48271-00	.ARM, SHIFT .BRAS				1	
60	703-48211-01	.HOUSING,1 .CORPS				1	
61	703-48232-00	.GEAR .PIGNON				1	
62	93430-06024	.CIRCLIP .CIRCLIP, TYPE S				2	

**ELECTRIC STARTER  
KIT**  
(Fig. 32, Ref. No. 2 to 41)



68R0300-1320

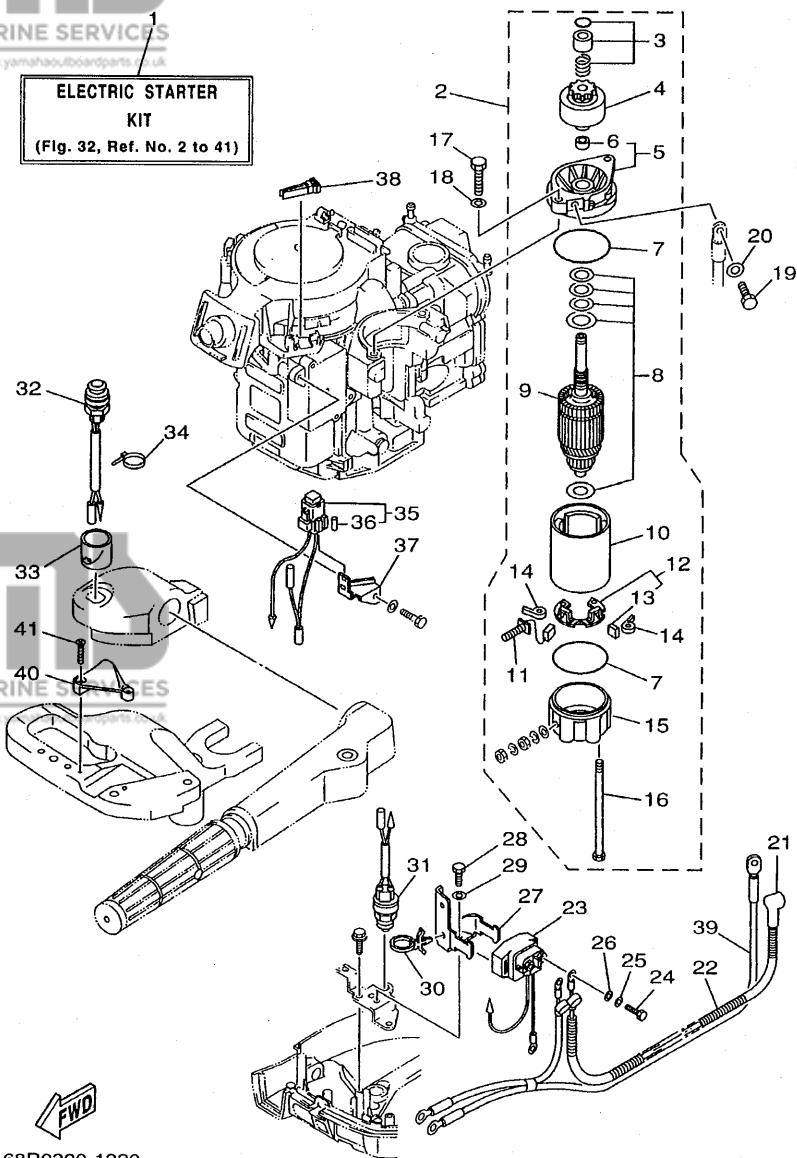
FIG. 32 OPTIONAL PARTS

PIECES OPTIONNELLES

REF. NO.	PART NO. NO. PIECES	DESCRIPTION DESCRIPTION	FBMH	FBMH	SAV	FBW	REMARKS REMARQUES
	68R-W8180-00	ELECTRIC STARTER KIT KIT DEMARREUR ELECTRIQUE			1	1	FLCPD MARINE SERVICES
2	68T-81800-00	STARTING MOTOR ASSY DEMARREUR ELECTRIQUE COMPLET			1	1	
3	68T-81857-00	.RETAINER .ARRETOIR			1	1	
4	689-81807-12	.GEAR ASSY, STARTING MOTOR .PIGNON, DEMARREUR ELECTRIQUE			1	1	
5	6F5-81830-11	.FRONT BRACKET ASSY SUPPORT AVANT			1	1	
6	689-81831-00	.METAL, FRONT .METAL, AVANT			1	1	
7	689-81847-11	.O-RING .JOINT TORIQUE			2	2	
8	689-81809-11	.WASHER KIT .JEU DE RONDELLES			1	1	
9	689-81850-12	.ARMATURE ASSY .INDUIT			1	1	
10	689-81810-11	.STATOR ASSY STATOR COMPLET			1	1	
11	689-81811-11	.BRUSH 1 .CHARBON 1			1	1	
12	689-81840-11	.BRUSH HOLDER ASSY SUPPORT DE CHARBON			1	1	
13	689-81812-11	.BRUSH 2 .CHARBON 2			1	1	
14	689-81813-10	.SPRING, BRUSH .RESSORT, DE CHARBON			2	2	
15	689-81820-11	.REAR BRACKET ASSY SUPPORT ARRIERE COMPLET			1	1	
16	689-81826-10	.BOLT .BOULON			2	2	
17	97013-08025	BOLT BOULON			2	2	
18	92903-08600	WASHER, PLATE RONDELLE, PLATE			2	2	
19	97095-08016	BOLT BOULON			1	1	
20	92995-08600	WASHER RONDELLE			1	1	
21	6G8-82117-00	WIRE, LEAD FIL			1	1	
22	90446-10M86	HOSE DURITE			1	1	
23	68T-81940-00	STARTER RELAY ASSY LANCEUR RELAIS (ENS.)			1	1	
24	97095-06010	BOLT BOULON			2	2	
25	92995-06100	WASHER, SPRING RONDELLE, GROWER			2	2	
26	92995-06600	WASHER RONDELLE			2	2	
27	68T-81945-00	PLATE, SWITCH FITTING PLAQUE, FIXATION DU RELAIS			1	1	

**B3**

**ELECTRIC STARTER  
KIT**  
(Fig. 32, Ref. No. 2 to 41)



68R0300-1320

**FIG. 32 OPTIONAL PARTS**

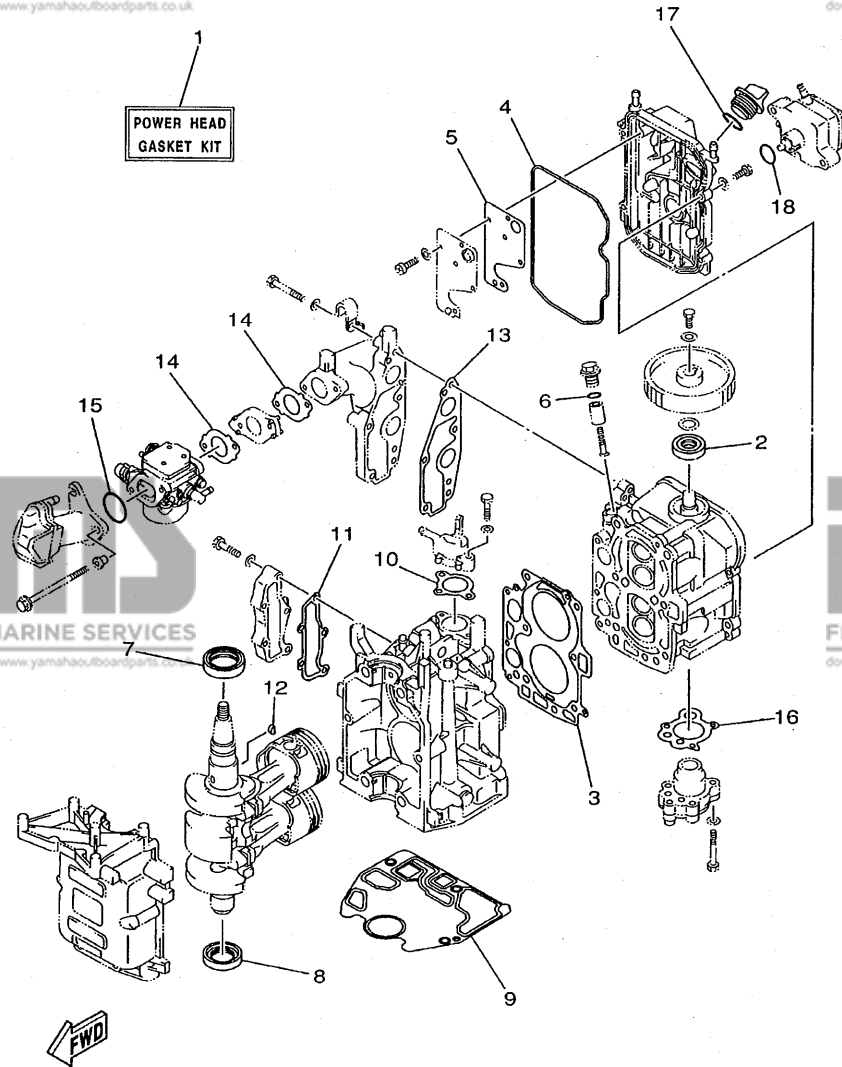
**PIECES OPTIONNELLES**

REF. NO.	PART NO. NO. PIECES	DESCRIPTION DESCRIPTION	F8MH	F8MH	SAV	F8W	REMARKS REMARQUES
28	97095-06012	BOLT BOULON			1	1	
29	92995-06600	WASHER RONDELLE			1	1	
30	90465-12M56	CLAMP BRIDE			1	1	
31	6F5-82540-00	NEUTRAL SWITCH ASSY CONTACTEUR DE POINT-MORT			1	1	
32	68T-81870-00	STARTING SWITCH ASSY CONTACT A CLEF			1	1	
33	68T-81821-00	COVER, SWITCH COUVERCLE, COMMUTEUR			1	1	
34	90465-11M10	CLAMP BRIDE			1	1	
35	68T-82150-00	FUSE HOLDER ASSY SUPPORT DE FUSIBLE			1	1	
36	66V-82151-00	.FUSE (10A-BL) .FUSIBLE (10A-BL)			2	2	
37	68T-82171-00	STAY, FUSE BOX SUPPORT, BOITE A FUSIBLES			1	1	
38	67F-2812A-00	PULLER, FUSE TENDEUR, FUSIBLE			1	1	
39	68T-82105-00	WIRE HARNESS FAISCEAU DE FILS			1	1	
40	68T-82594-00	CLAMP BRIDE			1	1	
41	90151-05003	SCREW, COUNTERSUNK VIS, TETE NOYEE			2	2	

FIG. 33 REPAIR KIT 1

KITS DE REPARATION 1

REF. NO.	PART NO. NO. PIECES	DESCRIPTION DESCRIPTION	FSM/H	FSM/H	SAV	FSW	REMARKS REMARQUES
1	68T-W0001-00	POWER HEAD GASKET KIT POCHETTE DE JINTS TETE MOTRICE	1	1	1	1	
2	93102-18M21	.OIL SEAL .JOINT SPY	1	1	1	1	
3	68T-11181-00	.GASKET, CYLINDER HEAD 1 .JOINT, DE CULASSE 1	1	1	1	1	
4	68T-11356-00	.SEAL, CYLINDER 2 .JOINT, SPY CYLINDRE	1	1	1	1	
5	68T-11169-A0	.GASKET, BREATHER COVER .JOINT, COUVERCLE DE RENIFLARD	1	1	1	1	
6	93210-13M63	.O-RING .JOINT TORIQUE	1	1	1	1	
7	93102-30M22	.OIL SEAL .JOINT SPY	1	1	1	1	
8	93101-25M69	.OIL SEAL .JOINT SPY	1	1	1	1	
9	68T-11351-00	.GASKET, CYLINDER .JOINT, D'EMBASE	1	1	1	1	
10	6G8-12414-A0	.GASKET, COVER .JOINT, COUVERCLE	1	1	1	1	
11	68T-41114-A0	.GASKET, EXHAUST OUTER COVER .JOINT, COUVERCLE D'ECHAPPEMEN	1	1	1	1	
12	90280-03M01	.KEY, WOODRUFF .CLAVETTE, DEMI-LUNE	1	1	1	1	
13	68T-13645-00	.GASKET, MANIFOLD 1 .JOINT, TUBULURE 1	1	1	1	1	
14	68T-13646-A0	.GASKET, MANIFOLD 2 .JOINT, TUBULURE 2	2	2	2	2	
15	93210-31MJ5	.O-RING .JOINT TORIQUE	1	1	1	1	
16	68T-13329-00	.GASKET, PUMP COVER .JOINT, COUVERCLE DE POMPE	1	1	1	1	
17	93210-24M79	.O-RING .JOINT TORIQUE	1	1	1	1	
18	93210-20M65	.O-RING .JOINT TORIQUE	1	1	1	1	



68R0100-0250

**B5**

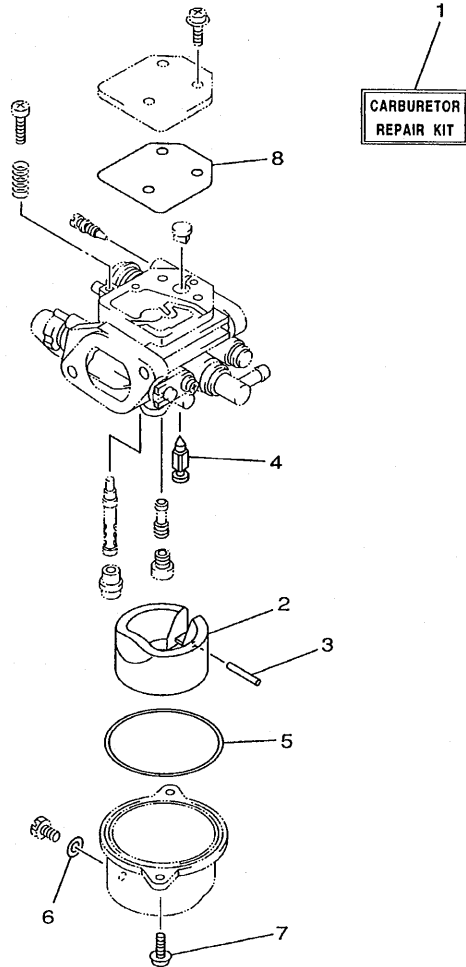


FIG. 34 REPAIR KIT 2

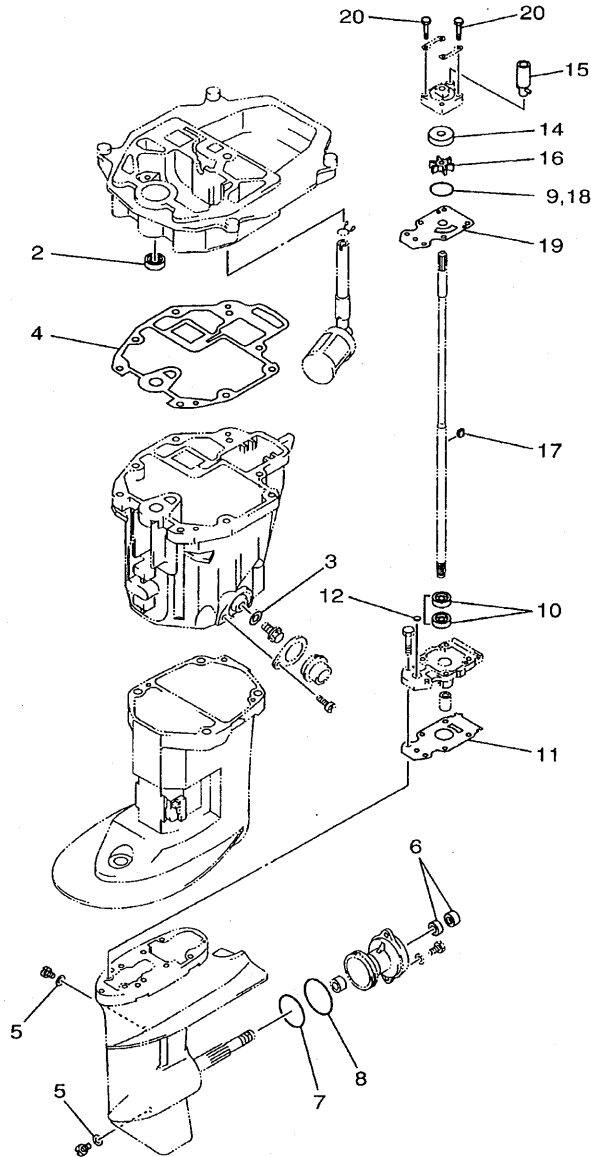
KITS DE REPARATION 2

REF. NO.	PART NO. NO. PIECES	DESCRIPTION DESCRIPTION	F6MH	F8MH	SAV	F8W	REMARKS REMARQUES
1	68T-W0093-00	CARBURETOR REPAIR KIT KIT DE REPARATION CARBURATEUR	1	1	1	1	
2	68T-14385-00	.FLOAT .FLOTTEUR	1	1	1	1	
3	67D-14386-00	.PIN, FLOAT .AXE, FLOTTEUR	1	1	1	1	
4	68T-14546-00	.VALVE, NEEDLE .POINTEAU	1	1	1	1	
5	67D-14984-00	.GASKET, FLOAT CHAMBER .JOINT, CUVE DE FLOTTEUR	1	1	1	1	
6	6J8-14959-00	.GASKET .JOINT	1	1	1	1	
7	97980-04112	.SCREW, WITH WASHER .VIS, AVEC RONDELLE	2	2	2	2	
8	67D-14536-00	.GASKET .JOINT	1	1	1	1	



68R0100-0260

**B6**



68R0100-0270

FIG. 35 REPAIR KIT 3

KITS DE PEPARATION 3

REF. NO.	PART NO. NO. PIECES	DESCRIPTION DESCRIPTION	FSMH	FSMH	SAV	FBW	REMARKS REMARQUES
1	68T-W0001-20	LOWER UNIT GASKET KIT POCHETTE DE JOINTS EMBASE	1	1	1	1	
2	93101-12M70	.OIL SEAL .JOINT SPY	1	1	1	1	
3	90430-10M11	.GASKET .JOINT	1	1	1	1	
4	68T-13475-00	.GASKET .JOINT	1	1	1	1	
5	90430-08020	.GASKET .JOINT	2	2	2	2	
6	93101-15074	.OIL SEAL .JOINT SPY	2	2	2	2	
7	93210-49046	.O-RING .JOINT TORIQUE	1	1	1	1	
8	93210-53M08	.O-RING .JOINT TORIQUE	1	1	1	1	
9	93210-44398	.O-RING .JOINT TORIQUE	1	1	1	1	
10	93101-11M23	.OIL SEAL .JOINT SPY	2	2	2	2	
11	68T-45315-A0	.PACKING, LOWER CASING .JOINT, BOITIER D'HELICE	1	1	1	1	
12	93210-06ME6	.O-RING .JOINT TORIQUE	1	1	1	1	
13	68T-W0078-00	WATER PUMP REPAIR KIT KIT DE REPARATION DE LA POMPE	1	1	1	1	
14	63V-44322-00	.INSERT, CARTRIDGE .CUVETTE	1	1	1	1	
15	68T-44366-00	.DAMPER, WATER SEAL .JOINT, TUBE D'EAU	1	1	1	1	
16	68T-44352-00	.IMPELLER .TURBINE	1	1	1	1	
17	664-44338-00	.KEY, WOODRUFF .CLAVETTE, VOLANT	1	1	1	1	
18	93210-44398	.O-RING .JOINT TORIQUE	1	1	1	1	
19	68T-44323-00	.OUTER PLATE, CARTRIDGE .PLAQUE EXTERIEURE	1	1	1	1	
20	97080-08045	.BOLT .BOULON	4	4	4	4	

**B7**

PART NO. NO. PIECES	REF. NO.
68T-W0001-00	33 - 1
68T-W0001-20	35 - 1
68T-W0070-50	1 - 12
68T-W0078-00	35 - 13
68T-W0084-00-4D	17 - 1
68T-W009A-00-4D	4 - 1
68T-W009B-00-4D	2 - 1
68T-W0093-00	34 - 1
6G1-W4591-01-EL	26 - 16
6G1-W4592-00-EL	26 - 16
68R-W8180-00	32 - 1
68T-11111-00-94	4 - 2
67D-11133-10	4 - 3
68T-11168-00	4 - 15
68T-11169-A0	4 - 16
	33 - 5
68T-11181-00	4 - 4
	33 - 3
68T-11191-00-94	4 - 10
6G8-11197-01	4 - 21
68T-11325-00	4 - 19
68T-11351-00	2 - 5
	33 - 9
68T-11356-00	4 - 12
	33 - 4
6H1-11372-00	24 - 12
68T-11411-00	3 - 3
68T-11416-00	3 - 4
68T-11416-10	3 - 4
68T-11416-20	3 - 4
68T-11536-00	8 - 8
66M-11537-00-94	8 - 3
68T-11557-00	8 - 9
6G8-11575-00	24 - 9
6G8-11587-01	8 - 10
68T-11603-00	3 - 8
68T-11604-00	3 - 8
68T-11605-00	3 - 8
68T-11631-00-96	3 - 7
68T-11633-00	3 - 9
68T-11635-00	3 - 7
68T-11636-00	3 - 7
68T-11650-00	3 - 5
67D-11654-00	3 - 6
67D-12111-00	5 - 1
68T-12113-00	5 - 4
68T-12116-00	5 - 3
7NJ-12117-00	5 - 5

PART NO. NO. PIECES	REF. NO.	PART NO. NO. PIECES	REF. NO.
68T-14497-00	18 - 21	6YK-24201-10	28 - 1
	19 - 29	6YL-24201-01	27 - 1
67D-14527-00	7 - 18	68T-24251-00	9 - 7
67D-14536-00	7 - 17	6YK-24260-01	28 - 5
	34 - 8	6YL-24260-01	27 - 4
68T-14546-00	7 - 8	6YL-24268-01	27 - 7
	34 - 4		28 - 2
68T-14711-00-5B	23 - 2	6G1-24304-02	9 - 1
68T-1492A-00	7 - 11	6YL-24306-52	27 - 8
68T-1492E-37	7 - 9		28 - 8
68T-1492F-1K	7 - 10	6YL-24329-00	27 - 6
6J8-14959-00	7 - 14		28 - 7
	34 - 6	61N-24329-00	9 - 2
67D-14966-00	7 - 6	66M-24374-00	9 - 19
68T-14981-00	7 - 13	6E9-24378-00	2 - 14
67D-14984-00	7 - 12	650-24378-00	4 - 11
	34 - 5		6 - 2
66T-14991-00	7 - 15	68T-24410-00	9 - 12
68T-15100-00-94	2 - 2	68T-24411-00	9 - 16
68T-15311-00-5B	24 - 11	66M-24413-01	9 - 13
68T-15316-00	24 - 15	6A0-24421-01	9 - 14
68T-15317-00	24 - 16	66M-24423-00	9 - 17
68T-15362-00	24 - 23	66M-24444-00	9 - 22
6G8-15363-00	4 - 23	66M-24454-00	9 - 20
63V-15705-01	10 - 9	66M-24471-00	9 - 21
68T-15710-01	10 - 1	6YK-24610-10	28 - 3
68T-15711-01	10 - 2	6YL-24610-00	27 - 2
63V-15713-00	10 - 7	6YL-24641-00	27 - 3
63V-15714-00	10 - 5		28 - 4
68T-15716-00	10 - 8	68T-26301-01	17 - 17
66T-15731-00	10 - 22	68T-26367-00	16 - 15
66T-15734-00	10 - 20	68T-26393-00	16 - 14
63V-15741-00	10 - 6	68T-28100-00	9 - 33
63V-15744-00	10 - 12	67F-2812A-00	13 - 17
6G1-15755-00	10 - 15		32 - 38
68T-15762-00	10 - 25	68T-41113-00-9M	2 - 13
67D-15764-00	10 - 3	68T-41114-A0	2 - 15
68T-15764-00	10 - 14		33 - 11
63V-15767-01	10 - 10	68T-41137-00-94	24 - 1
68T-15770-00	10 - 21	68T-41211-00	18 - 20
68T-15774-00	10 - 26		19 - 28
68T-15774-10	10 - 26	69F-41211-00	18 - 20
6G1-15779-00	10 - 17	68T-41237-00	13 - 23
68T-15784-00	10 - 11	68T-41256-00	6 - 20
6A0-15789-00	10 - 18	6J8-41262-00	6 - 21
68T-15793-00	10 - 13	661-41262-02	18 - 27
66T-15794-00	10 - 19		19 - 35
68T-15795-00	10 - 4	6H4-41271-01	6 - 18

PART NO. NO. PIECES	REF. NO.
689-41273-00	6 - 19
68R-41283-00	18 - 18
68T-41283-00	18 - 18
	19 - 26
68T-41638-00	18 - 17
	19 - 25
6G1-41662-01-94	18 - 6
	19 - 11
63V-42111-00-4D	17 - 2
67D-42119-00	17 - 10
68T-42121-00-4D	17 - 25
6G1-42125-01	17 - 7
6G1-42126-00	17 - 6
68T-42131-00	17 - 22
68R-42137-00	17 - 11
68T-42137-00	17 - 11
69F-42137-00	17 - 11
6G1-42138-01	17 - 3
6E0-42159-02	17 - 4
67D-42177-00	17 - 9
68T-42511-01-4D	22 - 6
68T-42511-11-4D	22 - 6
63V-42528-00	22 - 3
63V-42537-00	22 - 7
68R-42610-50-4D	1 - 1
68T-42610-50-4D	1 - 1
68T-42613-00	1 - 2
68T-42615-00	1 - 6
68T-42649-00	1 - 10
6G1-42651-02	1 - 4
68T-42652-00	1 - 7
68R-42678-10	1 - 11
68T-42678-10	1 - 11
68T-42710-00-4D	16 - 1
68T-42716-00	16 - 5
65W-42717-00	16 - 20
	24 - 2
68T-42717-00	16 - 26
68T-42724-00	16 - 16
68T-42724-40	13 - 3
6G1-42725-00	14 - 4
68T-42725-00	16 - 13
68T-42725-10	16 - 13
	20 - 16
6H4-42726-00	16 - 19
682-42727-00	16 - 10
68T-42738-00-4D	16 - 11
68T-42741-00	16 - 21

PART NO. NO. PIECES	REF. NO.
68T-42771-00	16 - 27
68T-42801-00	16 - 6
68T-43111-01-4D	21 - 1
68T-43112-01-4D	21 - 2
66R-43113-00	21 - 9
648-43114-01	21 - 6
677-43116-01	21 - 5
6E0-43118-01	21 - 3
63V-43131-10	21 - 7
6E5-43145-01	29 - 9
63V-43145-00	21 - 10
6L2-43160-00	21 - 15
63V-43191-00	21 - 25
68T-43311-00-4D	21 - 16
68T-43311-10-4D	21 - 16
68T-43350-00	21 - 23
689-43373-01	22 - 4
68T-43611-00	21 - 30
68T-43614-00	21 - 27
68T-43615-00	21 - 29
68T-43616-00	21 - 18
68T-43617-00	21 - 21
68T-43627-00	21 - 34
68T-43631-00	21 - 17
68T-43641-00	21 - 20
68T-43646-00	21 - 19
68T-43659-00	21 - 32
68T-44111-00	18 - 1
68T-44111-10	19 - 22
	20 - 8
66R-44114-00	18 - 11
	19 - 16
65W-44116-00	18 - 10
	19 - 15
68T-44121-01	18 - 5
	19 - 10
68T-44143-00	18 - 13
	19 - 18
68T-44143-10	18 - 13
68T-44150-00	25 - 35
63V-44301-00	25 - 19
63V-44322-00	25 - 20
	35 - 14
68T-44323-00	25 - 25
	35 - 19
63V-44328-00	25 - 28
664-44338-00	25 - 23
	35 - 17



PART NO. NO. PIECES	REF. NO.
68T-44352-00	25 - 22
	35 - 16
68T-44361-00	26 - 1
68T-44361-10	26 - 1
63V-44365-10	26 - 2
68T-44366-00	25 - 21
	35 - 15
6H3-44391-01	16 - 9
68T-44517-00-94	22 - 12
68T-44517-10-94	22 - 12
68T-44526-00	22 - 13
68T-44551-00-4D	22 - 17
682-44555-00	22 - 19
68T-44557-00	22 - 18
68T-45111-00-4D	23 - 1
68T-45111-10-4D	23 - 1
68T-45181-00	24 - 3
6G1-45214-00	26 - 6
6G1-45215-00	26 - 7
68T-45251-00	25 - 6
68T-45300-00-4D	25 - 1
68T-45300-10-4D	25 - 1
68T-45311-00-4D	25 - 2
68T-45315-A0	25 - 32
	35 - 11
6G1-45316-09	25 - 30
6G1-45317-09	25 - 3
68T-45321-00	23 - 5
68T-45331-00-5B	25 - 29
6G1-45361-01-4D	25 - 11
6G1-45362-09	25 - 12
63V-45375-00	26 - 10
68T-45511-00	25 - 36
68T-45511-10	25 - 36
6G1-45533-00-19	25 - 40
6G1-45533-00-20	25 - 40
6G1-45533-00-21	25 - 40
6G1-45533-00-22	25 - 40
68T-45551-00	25 - 39
68T-45560-00	25 - 41
647-45567-00	25 - 45
68T-45571-00	25 - 43
664-45587-01-10	25 - 42
664-45587-01-12	25 - 42
664-45587-01-15	25 - 42
664-45587-01-18	25 - 42
664-45587-01-30	25 - 42
664-45587-01-40	25 - 42

NUMERICAL INDEX  
INDEX NUMERIQUE

PART NO. NO. PIECES	REF. NO.
703-48281-00	31 - 30
703-48282-00	31 - 31
703-48284-00	31 - 51
701-48287-00	31 - 41
703-48291-10	31 - 38
703-48293-10	31 - 40
701-48310-80	30 - 2
701-48310-90	30 - 2
701-48320-00	30 - 2
663-48344-00	19 - 23
	19 - 37
	20 - 12
	20 - 14
703-48345-01	31 - 19
703-48358-00	31 - 20
68R-48501-00	20 - 1
63V-48511-01	22 - 23
68T-48531-00	19 - 1
	20 - 2
682-48538-50	19 - 2
	20 - 3
68T-61350-00	29 - 1
68T-61351-00	29 - 2
6E5-61355-00	29 - 7
68T-81328-00	11 - 9
68T-81800-00	15 - 6
	32 - 2
689-81807-12	15 - 8
	32 - 4
689-81809-11	15 - 12
	32 - 8
689-81810-11	15 - 14
	32 - 10
689-81811-11	15 - 15
	32 - 11
689-81812-11	15 - 17
	32 - 13
689-81813-10	15 - 18
	32 - 14
689-81820-11	15 - 19
	32 - 15
68T-81821-00	32 - 33
68T-81822-00-94	15 - 1
689-81826-10	15 - 20
	32 - 16
6F5-81830-11	15 - 9
	32 - 5
689-81831-00	15 - 10

PART NO. NO. PIECES	REF. NO.
65W-84342-00	16 - 29
68F-85119-00	16 - 2
68T-85410-00	12 - 22
68T-85520-00	11 - 2
68T-85533-00	11 - 4
68T-85533-10	11 - 4
68R-85540-00	12 - 1
68T-85540-00	12 - 1
69F-85540-00	12 - 1
68T-85542-00	12 - 6
68T-85550-01	11 - 1
68T-85550-11	11 - 1
680-85570-00	12 - 10
68T-85580-01	11 - 3
6H2-85582-00	11 - 5
68T-86111-00	13 - 22
68T-86112-00	13 - 18
68T-86117-00	13 - 27
68F-86129-00	16 - 4
90101-06M18	21 - 12
90105-06M07	22 - 5
90105-08M36	4 - 6
90105-08M78	4 - 7
90109-06M81	16 - 12
	18 - 7
	19 - 12
90109-06M84	21 - 35
90109-06M86	10 - 27
	18 - 12
	19 - 17
90116-08M54	22 - 11
90116-10M28	17 - 26
90119-06MA1	11 - 8
90119-06O12	22 - 20
90119-06O13	22 - 21
90119-06O14	11 - 6
90119-08M29	2 - 4
90119-08O05	24 - 20
90149-05M13	17 - 13
90151-05M05	4 - 20
90151-05O03	32 - 41
90152-05M03	26 - 8
90157-05M16	27 - 5
	28 - 6
90170-06O15	18 - 15
	19 - 20
90170-09M03	29 - 5
90170-12066	11 - 14

PART NO. NO. PIECES	REF. NO.
90170-24M09	8 - 11
90171-10M01	26 - 13
90179-06M28	22 - 22
90179-10O04	17 - 27
90185-05O02	26 - 9
90185-08O57	22 - 26
90185-09M01	29 - 4
90201-06M62	18 - 22
	19 - 30
90201-06M94	8 - 6
90201-10M01	26 - 12
90201-10M02	26 - 18
90201-10M20	29 - 3
90201-10M63	29 - 8
90201-12472	11 - 15
90201-13201	8 - 5
90201-15M89	25 - 44
90202-36M55	17 - 20
90206-10M24	21 - 36
90206-36M21	17 - 19
90243-04M01	21 - 4
90266-04M04	1 - 5
90269-02M09	17 - 12
90280-03M01	8 - 12
	33 - 12
90280-04M06	11 - 13
90338-06M20	16 - 28
90340-08M04	25 - 9
90340-10M10	24 - 13
90386-08O32	17 - 16
90386-22MA4	21 - 8
90386-30M60	22 - 10
90386-30O48	22 - 8
90386-33M96	17 - 21
90386-34M97	17 - 18
90387-06M13	21 - 11
90387-06M59	18 - 19
	19 - 27
90387-06M70	6 - 14
90387-10M42	29 - 6
90387-13M56	5 - 9
90387-14M03	5 - 10
90387-14M49	25 - 4
90430-08O20	25 - 10
	35 - 5
90430-08143	24 - 5
90430-10M11	24 - 14
	35 - 3



FLOOD MARINE SERVICES  
downloaded from www.yamahaooutboardparts.co.uk

PART NO. NO. PIECES	REF. NO.
90445-09074	6 - 9
90445-10M18	9 - 5
90445-10M50	9 - 8
90445-10016	9 - 28
90446-10M86	13 - 5
	32 - 22
90446-14M66	9 - 10
	9 - 30
90464-10M53	9 - 32
90464-10M60	18 - 8
	19 - 13
90465-08M83	13 - 29
90465-08M99	6 - 17
	15 - 26
90465-11M10	2 - 12
	9 - 11
	9 - 31
	11 - 12
	12 - 21
	15 - 25
	32 - 34
90465-12M56	13 - 13
	32 - 30
90467-09M05	25 - 37
90467-09M09	9 - 6
	9 - 9
	9 - 29
90467-11M08	24 - 8
90468-18001	18 - 14
	19 - 19
90468-18008	19 - 24
	19 - 38
	20 - 13
	20 - 15
90480-06M19	16 - 17
	16 - 18
90480-10627	8 - 14
90480-13018	13 - 19
90480-14M54	23 - 4
90480-21M82	16 - 3
90480-25161	12 - 11
90501-12M05	25 - 49
90501-12M40	5 - 11
90501-23215	17 - 15
90506-18M41	21 - 24
90506-20M42	21 - 28
90506-20005	21 - 24
90506-23003	21 - 28



NUMERICAL INDEX  
INDEX NUMERIQUE

PART NO. NO. PIECES	REF. NO.	PART NO. NO. PIECES	REF. NO.
92995-06600	17 - 24	93210-49046	25 - 15
	18 - 24		35 - 7
	18 - 26	93210-53M08	25 - 16
	19 - 5		35 - 8
	19 - 32	93306-004U0	25 - 5
	19 - 34		25 - 13
	20 - 6	93430-04M03	21 - 31
	22 - 16	93430-06024	31 - 10
	25 - 18		31 - 62
	32 - 26	93430-07012	25 - 38
	32 - 29	93450-15023	3 - 10
92995-08600	15 - 24	93604-12M07	23 - 8
	22 - 25		24 - 19
	23 - 10		25 - 26
	24 - 22		26 - 3
	26 - 5	93606-12019	24 - 10
	32 - 20	93700-06M03	22 - 1
93101-11M23	25 - 31	94702-00274	4 - 25
	35 - 10	95380-05600	9 - 23
93101-12M70	24 - 6		31 - 7
	35 - 2	95380-06600	16 - 25
93101-15074	25 - 14		19 - 6
	35 - 6		20 - 7
93101-25M69	3 - 2		31 - 39
	33 - 8	95380-06700	18 - 16
93102-18M21	8 - 1		19 - 21
	33 - 2		21 - 14
93102-30M22	3 - 1	95380-08600	22 - 14
	33 - 7	95895-06016	25 - 7
93210-03261	13 - 28	97013-06012	11 - 10
93210-06ME6	25 - 33	97013-06016	8 - 4
	35 - 12	97013-06020	2 - 9
93210-12327	18 - 2	97013-06025	2 - 16
	19 - 7		6 - 6
	20 - 9	97013-06035	6 - 4
93210-13M63	4 - 22	97013-06070	4 - 8
	33 - 6	97013-08025	15 - 21
93210-16275	29 - 10		32 - 17
93210-20M65	9 - 27	97013-08040	15 - 4
	33 - 18	97013-08055	15 - 2
93210-24M79	4 - 24	97075-06025	17 - 23
	33 - 17		22 - 15
93210-29M94	22 - 9	97075-08030	24 - 21
93210-31MJ5	6 - 13	97075-08035	22 - 24
	33 - 15		23 - 9
93210-44398	25 - 24		26 - 4
	35 - 9	97080-08025	25 - 34
	35 - 18	97080-08045	25 - 27



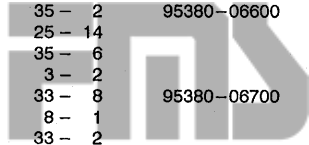
FLOOD MARINE SERVICES  
downloaded from www.yamahaooutboardparts.co.uk

PART NO. NO. PIECES	REF. NO.
97080-08045	35 - 20
97095-05010	11 - 7
97095-05016	1 - 8
	18 - 3
	19 - 8
	20 - 10
97095-06008	23 - 6
97095-06010	13 - 7
	32 - 24
97095-06012	12 - 8
	12 - 16
	13 - 11
	13 - 20
	15 - 27
	16 - 7
	18 - 25
	19 - 4
	19 - 33
	20 - 5
	32 - 28
97095-06016	25 - 17
97095-06020	4 - 13
	10 - 23
	12 - 4
97095-06025	9 - 3
	12 - 12
97095-06030	8 - 17
	9 - 24
97095-06045	18 - 23
	19 - 31
97095-08012	12 - 7
97095-08014	24 - 4
97095-08016	15 - 23
	32 - 19
97095-08030	31 - 32
97380-05025	31 - 8
97575-06514	23 - 3
97595-06585	6 - 15
97780-40512	12 - 3
97780-60516	1 - 3
97880-04008	13 - 25
97880-05025	12 - 16
97880-06030	16 - 22
97885-05008	23 - 7
	24 - 17
97885-05012	17 - 5
97980-04112	7 - 4
	34 - 7

PART NO. NO. PIECES	REF. NO.
98507-04010	4 - 17
98580-03015	31 - 37
98580-04006	31 - 35
98580-04010	31 - 34
98580-05010	31 - 36
99080-05600	21 - 22
	21 - 26
	21 - 33
99510-10114	4 - 5
99530-12016	2 - 3



FLOOD MARINE SERVICES  
downloaded from www.yamahaooutboardparts.co.uk



FLOOD MARINE SERVICES  
downloaded from www.yamahaooutboardparts.co.uk



FLOOD MARINE SERVICES  
downloaded from www.yamahaooutboardparts.co.uk



FLOOD MARINE SERVICES  
downloaded from www.yamahaooutboardparts.co.uk



FLOOD MARINE SERVICES  
downloaded from www.yamahaooutboardparts.co.uk



FLOOD MARINE SERVICES  
downloaded from www.yamahaooutboardparts.co.uk