

**PARTS
CATALOGUE
CATALOGUE
DE PIÈCES DÉTACHÉES**

F8B '99(6J7)

F9.9B'99(6G9)

1X6G9-300F1

YAMAHA
GENUINE
Parts & Accessories

A1

FOREWORD

This Parts Catalogue is related to the parts for the model(s) in the below frame. When you are ordering replacement parts, please refer to this Parts Catalogue and quote both part numbers and part names correctly.

F8B'99(6J7)/F9.9B'99(6G9)

5. Quantity Column Information

NAME for Q'TY COLUMN	APPLICABLE MODEL
MH	F8BMH, F9.9BMH
EH	F8BEH, F9.9BEH
E	F8BE, F9.9BE

6. Applicable Serial No. and Color Code

1) Engine Serial No.

F8BMH	S : 000559 ~ L : 301806 ~	F9.9BMH	S : 011117 ~ L : 308537 ~
F8BEH	S : 200163 ~ L : 500797 ~	F9.9BEH	S : 200473 ~ F9.9BE L : 402185 ~
F8BE	S : 100323 ~ L : 401000 ~		

1. Modifications or additions which have been made after issue of the Parts Catalogue will be announced in the Yamaha Parts News.

It is advisable that you make necessary corrections to the Parts Catalogue according to the Yamaha Parts News.

2. Abbreviations

The Following abbreviations are used in this Parts Catalogue.

"UR" Use specified parts number.

"UN" Use as many as needed.

"AP" Alternate Parts

"LM" Local Made
(Parts need to be ordered locally)

"O/S" Over Size

3. Parts, which are to be supplied in an assembly, are listed with a dot(.) in front of the part name as shown below.

EXAMPLE

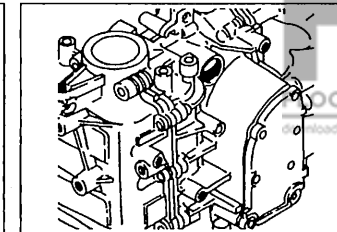
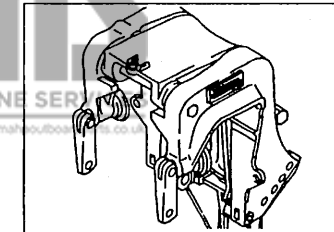
CARBURETOR ASSY
.JET, PILOT
.NOZZLE, MAIN

4. Number of component for assembly

The numeral appearing to the right of each component part indicates the quantity of parts for each assembly unit.

EXAMPLE

PART NO.	DESCRIPTION	E	EH	EHT	REMARKS
6E0-85500-70	C.D.I. MAGNETO ASSY	1			
6E0-85550-70	.ROTOR ASSY	1			
6E0-15723-00-94.	.PULLY, STARTER	1			



2) Color Code

Color Code	Color Name	Abbreviation
004D	DARK BLuish GRAY METALLIC 2	DBNM2

7. Note that the illustrations for reference in funding parts numbers, not to be used for assembling. When assembling, pleas use the applicable service manual.

8. The asterisk (*) before a reference number indicates modification items after the first edition.

AVANT-PROPOS

Ce Catalogue de pièces détachées concerne les pièces pour le(s) modèle(s) indiqué(s) dans le cadre ci-dessous. Lorsque vous commandez des pièces de rechange, veuillez vous référer à ce catalogue de pièces détachées et indiquer clairement les numéros et les noms des pièces détachées.

F8B'99(6J7)/F9.9B'99(6G9)

1. Les modifications ou ajouts ayant été effectués après la parution du catalogue de pièces détachées seront décrits dans les Bulletins d'information Yamaha concernant les pièces détachées. Il est recommandé que vous apportiez les corrections nécessaires au catalogue des pièces détachées en vous référant aux Bulletins d'information Yamaha.

2. Abréviations

Dans ce catalogue, les abréviations suivantes sont utilisées:

"UR" Utiliser le numéro des pièces.

"UN" Utiliser autant que nécessaire.

"AP" Pièces de substitution

"LM" Fabrication locale (les pièces doivent être commandées localement.)

3. Dans ce catalogue, les pièces qui sont fournies dans un ensemble sont précédées d'un point (.) de la manière indiquée ci-dessous.

EXEMPLE

ENS CARBURATEUR

.GICLEUR, ralenti

.PUITS D'AIGUILLE

4. Nombre de pièces composant un ensemble

Le chiffre apparaissant à la droite de chaque description indique la quantité de pièces pour chaque ensemble de pièces.

EXEMPLE

NO. PIECES	DESCRIPTION					REMARQUES
		w	u	u	L	
6E0-85500-70	MAGNETO C.D.I. CPLT	1				
6E0-85550-70	.ROTOR CPLT	1				
6E0-15723-00-94	..POULIE DE DEMARREUR	1				

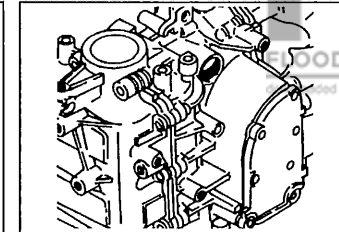
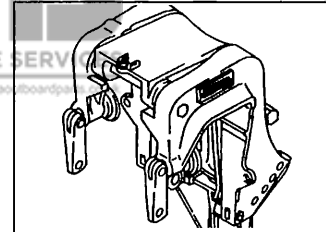
5. Indication concernant la quantité

Indication concernant la quantité	Applications modèle
MH	F8BMH, F9.9BMH
EH	F8BEH, F9.9BEH
E	F8BE, F9.9BE

6. Applications No de série et code couleur correspondants

1) No. de série du moteur

F8BMH	S : 000559 ~ L : 301806 ~	F9.9BMH	S : 011117 ~ L : 308537 ~
F8BEH	S : 200163 ~ L : 500797 ~	F9.9BEH	S : 200473 ~ F9.9BE L : 402185 ~
F8BE	S : 100323 ~ L : 401000 ~		



2) Code couleur

Code couleur	Nom de couleur	Abréviation
004D	DARK BLUIISH GRAY METALLIC 2	DBNM2

7. Veuillez noter que les illustrations sont indiquées pour référence pour trouver les numéros de pièces, non pour être utilisées lors de l'assemblage. Lors de l'assemblage, veuillez utiliser le manuel d'entretien adéquat.

8. L'astérisque (*) placé devant un numéro de référence. indique des éléments qui ont été modifiés après la première édition.

SHEET 1/2

CYLINDER. CRANKCASE	A4
CRANKSHAFT. PISTON	A6
VALVE	A7
INTAKE	B1
CARBURETOR	B3
OIL PUMP	B5
OIL PAN	B6
STARTER	B7
FUEL	C2
FUEL TANK 1	C4
FUEL TANK 2	C5
TOP COWLING	C6
BOTTOM COWLING	C7
BRACKET 1	D2
BRACKET 2	D5
STEERING	D6
CONTROL	E1
REMO-CON ATTACHMENT	E3
STEERING GUIDE	E4
REMOTE CONTROL BOX	E5
REMOTE CONTROL ASSY 1	E6
REMOTE CONTROL ASSY 2	F2
UPPER CASING	F4
LOWER CASING. DRIVE 1	F6

INDEX

NUMERICAL INDEX	G1
-----------------------	----

CONTENTS

SHEET 2/2

LOWER CASING. DRIVE 1	A4*
LOWER CASING. DRIVE 2	A5*
GENERATOR	A7*
STARTING MOTOR	B1*
ELECTRICAL 1	B2*
ELECTRICAL 2	B4*
ELECTRICAL 3	B6*
OPTIONAL PARTS	B7*
REPAIR KIT 1	C1*
REPAIR KIT 2	C3*

INDEX

NUMERICAL INDEX	G1*
-----------------------	-----

Feuille 1/2

CYLINDRE. CARTER	A4
VILEBREQUIN. PISTON	A6
SOUPAPE	A7
ADMISSION	B1
CARBURATEUR	B3
POMPE A HUILE	B5
VENTILATEUR D'HUILE	B6
DEMARREUR	B7
CARBURANT	C2
RESERVOIR A CARBURANT 1	C4
RESERVOIR A CARBURANT 2	C5
CAPOT SUPERIEUR	C6
CAPOT INFERIEUR	C7
SUPPORT 1	D2
SUPPORT 2	D5
DIRECTION	D6
COMMANDES	E1
COMMANDE A DISTANCE	E3
FIXATION DE DIRECTION	E4
BOITIER DE COMMANDE A DISTANCE	E5
BOITIER DE COMMANDE A DISTANCE 1	E6
BOITIER DE COMMANDE A DISTANCE 2	F2
FOURREAU	F4
BOITIER D'HELICE, TRANSMISSION 1	F6

INDEX

INDEX NUMERIQUE	G1
-----------------------	----

TABLE DES MATIERES

Feuille 2/2

BOITIER D'HELICE, TRANSMISSION 1	A4*
BOITIER D'HELICE, TRANSMISSION 2	A5*
GENERATRICE	A7*
DEMARREUR ELECTRIQUE	B1*
PARTIE ELECTRIQUE 1	B2*
PARTIE ELECTRIQUE 2	B4*
PARTIE ELECTRIQUE 3	B6*
PIECES OPTIONNELLES	B7*
KITS DE REPARATION 1	C1*
KITS DE REPARATION 2	C3*

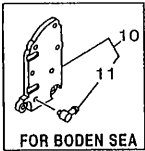
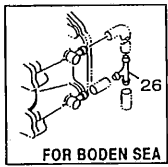
INDEX

INDEX NUMERIQUE	G1*
-----------------------	-----

FIG. 1 CYLINDER. CRANKCASE CYLINDRE. CARTER

REF. NO.	PART NO. NO. PIECES	DESCRIPTION DESCRIPTION	MH	EH	U	REMARKS REMARQUES
1	6G8-W0090-33-1S	CRANK CYLINDER ASSY EMBIELLAGE CYLINDRE (ENS.) (REF.NO. 2-5, 7-47, FIG.2, REF.NO. 1-12, FIG.3, REF.NO. 1-16)	1	1	1	
2	6G8-15100-05-1S	CRANKCASE ASSY CARTER DE MOTEUR COMPLET	1	1	1	
3	99510-10114	PIN, DOWEL GOIJON, D'ASSEMBLAGE	2	2	2	
4	90119-08M18	BOLT, WITH WASHER BOULON, AVEC RONDELLE	4	4	4	
5	90119-06M12	BOLT, WITH WASHER BOULON, AVEC RONDELLE	6	6	6	
6	6G8-11351-A0	GASKET, CYLINDER JOINT, D'EMBASE	1	1	1	
7	6G8-41111-02-1S	INNER COVER, EXHAUST PLAQUE, ECHAPPEMENT	1	1	1	
8	6G8-41112-02	GASKET, EXHAUST INNER COVER JOINT, PLAQUE D'ECHAPPEMENT	1	1	1	
9	6G8-41114-00	GASKET, EXHAUST OUTER COVER JOINT, COUVERCLE D'ECHAPPEMENT	1	1	1	
10	6G8-41113-10-1S	OUTER COVER, EXHAUST COUVERCLE, ECHAPPEMENT	1	1	1	UR STD
	6G8-41113-02-1S	OUTER COVER, EXHAUST COUVERCLE, ECHAPPEMENT	1	1	1	UR F8B BODEN SEA
11	676-11372-00	.NIPPLE, HOSE .RACCORD, TUYAU	1	1	1	F8B BODEN SEA
12	97013-06025	BOLT BOULON	2	2	2	
13	92903-06600	WASHER, PLATE RONDELLE, PLATE	2	2	2	
14	97013-06030	BOLT BOULON	5	5	5	
15	92903-06600	WASHER, PLATE RONDELLE, PLATE	5	5	5	
16	6G8-12411-02	THERMOSTAT THERMOSTAT	1	1	1	
17	6G8-12413-00-1S	COVER, THERMOSTAT COUVERCLE, THERMOSTAT	1	1	1	
18	6E5-24377-00	.PIPE, JOINT 3 .DURITE RACCORDEMENT	1	1	1	
19	6G8-12414-A0	GASKET, COVER JOINT, COUVERCLE	1	1	1	
20	97513-06520	BOLT, WITH WASHER VIS HEXAGONAL AVEC RONDELLE	2	2	2	
21	90445-11M66	HOSE DURITE	1	1	1	
22	6G8-11111-03-1S	HEAD, CYLINDER 1 CULASSE	1	1	1	
23	6G8-11133-10	.GUIDE, INTAKE VALVE .GUIDE, SOUP D'ADM	4	4	4	
24	93450-09M01	.CIRCLIP .CIRCLIP, TYPE S	4	4	4	

CRANK CYLINDER ASSY

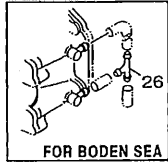


FWD
6G80300-9010

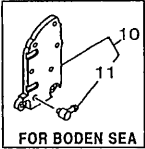
FIG. 1 CYLINDER. CRANKCASE CYLINDRE. CARTER

REF. NO.	PART NO. NO. PIECES	DESCRIPTION DESCRIPTION	MT	HT	W	REMARKS REMARQUES
25	676-11372-00	.NIPPLE, HOSE .RACCORD, TUYAU	2	2	2	
26	6G9-24379-00	PIPE, JOINT 4 DURITE RACCORDEMENT 4	1	1	1	UR STD
	688-24378-00	PIPE, JOINT 4 DURITE RACCORDEMENT 4	1	1	1	UR F8B BODEN SEA
27	6G8-12481-01	PIPE 1 DURITE 1	1	1	1	
28	90445-09220	HOSE DURITE	2	2	2	
29	90105-08M37	BOLT, WASHER BASED BOULON, AVEC RONDELLE	3	3	3	
30	90105-08M36	BOLT, WASHER BASED BOULON, AVEC RONDELLE	3	3	3	
31	99510-10114	PIN, DOWEL GOUJON, D'ASSEMBLAGE	2	2	2	
32	97013-06035	BOLT BOULON	2	2	2	
33	92903-06600	WASHER, PLATE RONDELLE, PLATE	2	2	2	
34	6G8-11181-A1	GASKET, CYLINDER HEAD 1 JOINT, DE CULASSE 1	1	1	1	
35	93210-11M59	O-RING JOINT TORIQUE	1	1	1	
36	6G8-11191-01-1S	COVER, CYLINDER HEAD 1 COUVERCLE, CULASSE 1	1	1	1	
37	6G8-15373-00	.PIPE, BREATHER .DURITE DE RENIFLARD	1	1	1	
38	676-11372-00	.NIPPLE, HOSE .RACCORD, TUYAU	1	1	1	
39	6G8-81336-00	GROMMET OEILLET CAOUTCHOUC	2	2	2	
40	6G8-11356-00	SEAL, CYLINDER 2 JOINT, SPY CYLINDRE	1	1	1	
41	97513-06520	BOLT, WITH WASHER VIS HEXAGONAL AVC RONDELLE	4	4	4	
42	6G8-11325-00	ANODE ANODE	1	1	1	
43	97880-05025	SCREW, PAN HEAD VIS, TETE TRONCONIQUE	1	1	1	
44	6G8-11197-00	PLUG, BLIND PLOT, BORGNE	1	1	1	
45	93210-13M63	O-RING JOINT TORIQUE	1	1	1	
46	6G8-15363-00	PLUG, OIL PLOT, HUILE	1	1	1	
47	93210-24M79	O-RING JOINT TORIQUE	1	1	1	
48	94701-00282	PLUG SPARK (NGK CR6HS) BOUGIE (NGK CR6HS)	2	2	2	UR F9.9B
	94701-00300	PLUG SPARK (NGK CR5HS) BOUGIE (NGK CR5HS)	2	2	2	UR F8B

CRANK CYLINDER ASSY



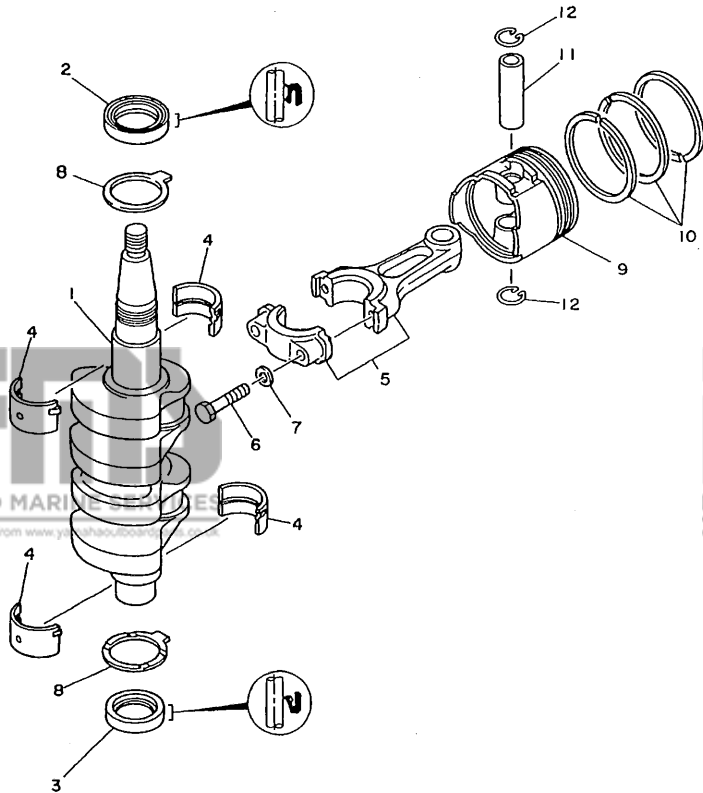
FOR BODEN SEA



FOR BODEN SEA



6G80300-9010

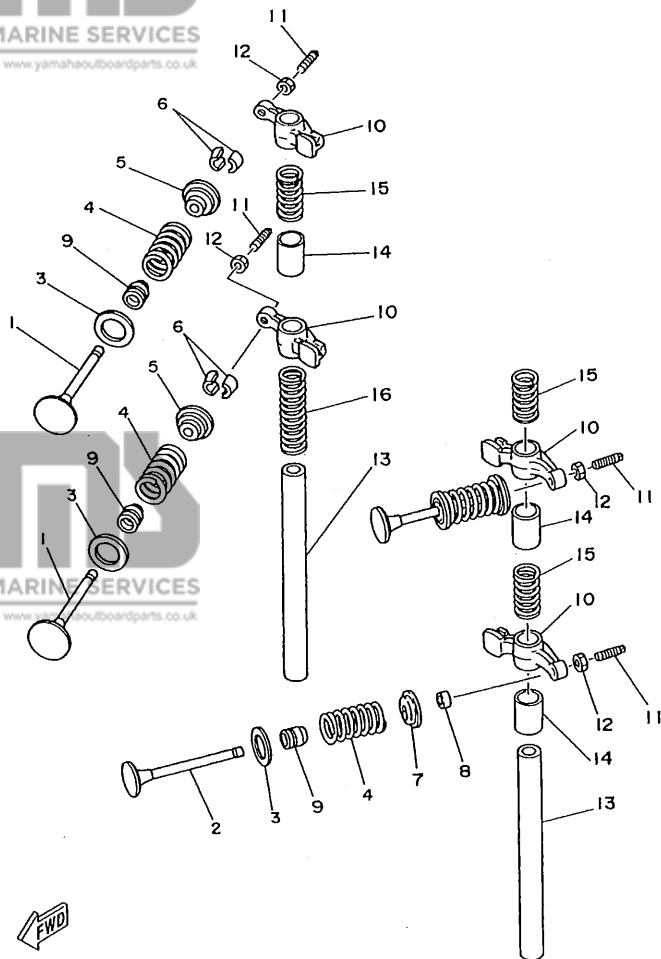


6G90010-4020

FIG. 2 CRANKSHAFT. PISTON

VILEBREQUIN. PISTON

REF. NO.	PART NO. NO. PIECES	DESCRIPTION DESCRIPTION	MH	ET	U	REMARKS REMARQUES
1	6G8-11411-04	CRANKSHAFT VILEBREQUIN COMPLET	1	1	1	
2	93102-30M22	OIL SEAL JOINT SPY	1	1	1	
3	93101-25M24	OIL SEAL JOINT SPY	1	1	1	
4	6G8-11416-00	PLANE BEARING, CRANKSHAFT 1 COUSSINET DE VILEBREQUIN	4	4	4	UR BROWN
	6G8-11416-10	PLANE BEARING, CRANKSHAFT 1 COUSSINET DE VILEBREQUIN	4	4	4	UR BLACK
	6G8-11416-20	PLANE BEARING, CRANKSHAFT 1 COUSSINET DE VILEBREQUIN	4	4	4	UR BLUE
5	6G8-11650-03	CONNECTING ROD ASSY BIELLE COMPLETE	2	2	2	
6	6G8-11654-00	BOLT, CONNECTING ROD BOULON, BIELLE	4	4	4	
7	90201-06M00	WASHER, PLATE RONDELLE, PLATE	4	4	4	
8	6G8-11426-00	PLANE BEARING, CRANKSHAFT 1 COUSSINET, VILEBREQUIN 1	2	2	2	
9	6G8-11631-03-96	PISTON (STD) PISTON (STD)	2	2	2	
	6G8-11635-03	PISTON (0.25MM O/S) PISTON (0.25MM O/S)	2	2	2	AP
	6G8-11636-03	PISTON (0.50MM O/S) PISTON (0.50MM O/S)	2	2	2	AP
10	6G8-11610-02	PISTON RING SET (STD) JEU DE SEGMENTS (STD)	2	2	2	
	6G8-11610-12	PISTON RING SET (0.25MM O/S) JEU DE SEGMENTS (0.25MM O/S)	2	2	2	AP
	6G8-11610-22	PISTON RING SET (0.50MM O/S) JEU DE SEGMENTS (0.50MM O/S)	2	2	2	AP
11	634-11633-00	PIN, PISTON AXE, PISTON	2	2	2	
12	93450-15023	CIRCLIP CIRCLIP, TYPE S	4	4	4	

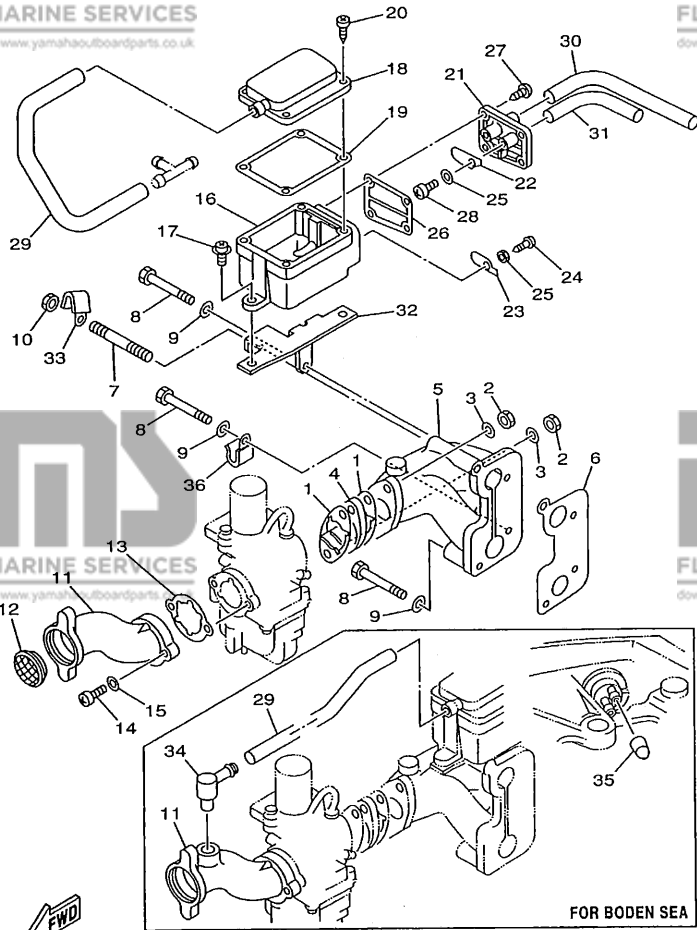


6G90010-4030

FIG. 3 VALVE

SOUPAPE

REF. NO.	PART NO. NO. PIECES	DESCRIPTION DESCRIPTION	MH	EU	U	REMARKS REMARQUES
1	6G8-12111-00	VALVE, INTAKE SOUPAPE, ADMISSION	2	2	2	
2	6G8-12121-01	VALVE, EXHAUST SOUPAPE, ECHAPPEMENT	2	2	2	
3	6G8-12116-00	SEAT, VALVE SPRING SIEGE, RESSORT DE SOUPAPE	4	4	4	
4	6G8-12113-00	SPRING, VALVE INNER RESSORT DE SOUPAPE, INTERNE	4	4	4	
5	6G8-12117-00	RETAINER, VALVE SPRING BUTEE DE RESSORT DE SOUPAPE	2	2	2	
6	30X-12118-00	COTTER, VALVE FRAISE, SOUPAPE	4	4	4	
7	6G8-12117-10	RETAINER, VALVE SPRING BUTEE DE RESSORT DE SOUPAPE	2	2	2	
8	6G8-12153-00	LIFTER, VALVE LEVE-SOUPAPE	2	2	2	
9	51Y-12119-00	SEAL, VALVE STEM JOINT, QUEUE DE SOUPAPE	4	4	4	
10	6G8-12151-00	ARM, VALVE ROCKER CULBUTEUR	4	4	4	
11	6G8-12159-00	SCREW, VALVE ADJUSTING VIS, REGLAGE DE SOUPAPE	4	4	4	
12	6G8-12158-00	NUT, LOCK CONTRE-ECROU	4	4	4	
13	6G8-12146-00	SHAFT, ROCKER AXE, CULBUTEUR	2	2	2	
14	90387-13M56	COLLAR COLLERETTE	3	3	3	
15	90501-12M40	SPRING, COMPRESSION RESSORT, COMPRESSION	3	3	3	
16	90501-12M41	SPRING, COMPRESSION RESSORT, COMPRESSION	1	1	1	

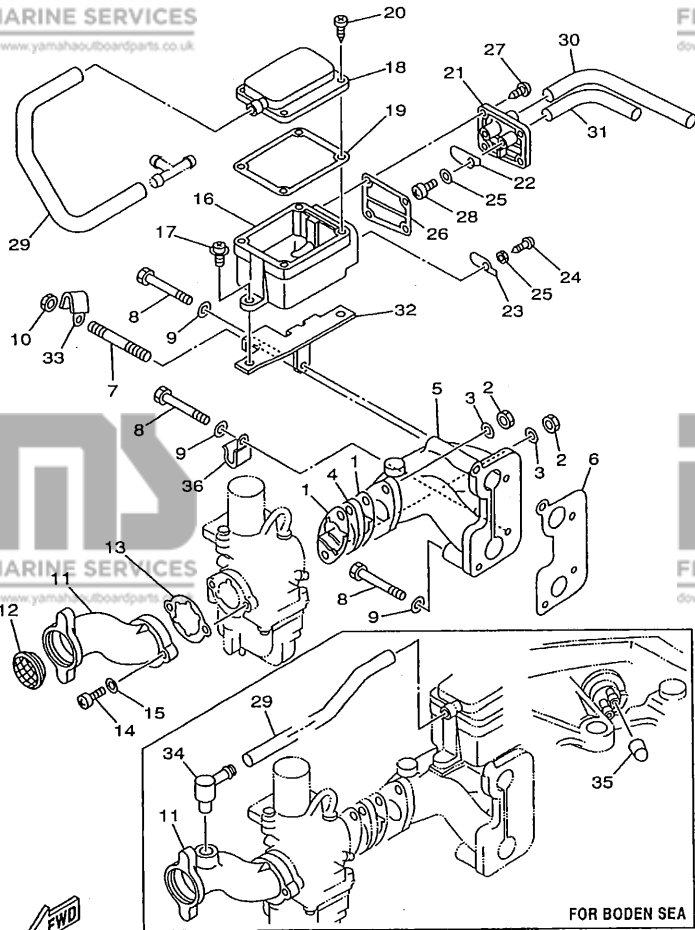


6G80300-9040

FIG. 4 INTAKE

ADMISSION

REF. NO.	PART NO. NO. PIECES	DESCRIPTION DESCRIPTION	MH	EH	W	REMARKS REMARQUES
1	6G8-13646-A0	GASKET, MANIFOLD 2 JOINT, TUBULURE 2	2	2	2	
2	95380-06700	NUT ECROU	2	2	2	
3	92990-06600	WASHER, PLATE RONDELLE, PLATE	2	2	2	
4	6G8-13647-00	GASKET, MANIFOLD 3 JOINT, TUBULURE 3	1	1	1	
5	6G8-13641-01-94	MANIFOLD 1 TUBULURE 1	1	1	1	
6	6G8-13645-00	GASKET, MANIFOLD 1 JOINT, TUBULURE 1	1	1	1	
7	90116-06M15	BOLT, STUD GOUJON	1	1	1	
8	97095-06045	BOLT BOULON	3	3	3	
9	92995-06600	WASHER RONDELLE	3	3	3	
10	95380-06700	NUT ECROU	1	1	1	
11	6G8-14479-02-94	FUNNEL AILLE	1	1	1	UR STD
	6G8-14479-10-94	FUNNEL AILLE	1	1	1	UR F8B BODEN SEA
12	6G8-14478-00	LOUVER VOLET	1	1	1	
13	6G8-14198-A0	GASKET JOINT	1	1	1	
14	97880-05016	SCREW, PAN HEAD VIS, TETE TRONCONIQUE	2	2	2	
15	92990-05600	WASHER, PLATE RONDELLE, PLATE	2	2	2	
16	6G8-15358-00	SEPARATOR, OIL SEPARATEUR, HUILE	1	1	1	
17	90159-06M05	SCREW, WITH WASHER VIS, AVEC RONDELLE	2	2	2	
18	6G8-15368-00-94	SEPERATOR, OIL SEPARATEUR, HUILE	1	1	1	
19	6G8-15369-00	GASKET, OIL SEAL HOUSING JOINT SPY DE LOGEMENT	1	1	1	
20	97780-40512	SCREW, TAPPING VIS, TETE FRAISEE	4	4	4	
21	6G8-15371-00-94	BREATHER RENIFLARD	1	1	1	
22	6G8-15346-00	BREATHER 1 RENIFLARD 1	1	1	1	
23	6G8-15347-00	BREATHER 2 RENIFLARD 2	1	1	1	
24	97780-40512	SCREW, TAPPING VIS, TETE FRAISEE	1	1	1	
25	92990-04200	WASHER, PLAIN RONDELLE, PLATE	2	2	2	
26	6G8-15374-00	GASKET, BREATHER JOINT, RENIFLARD	1	1	1	

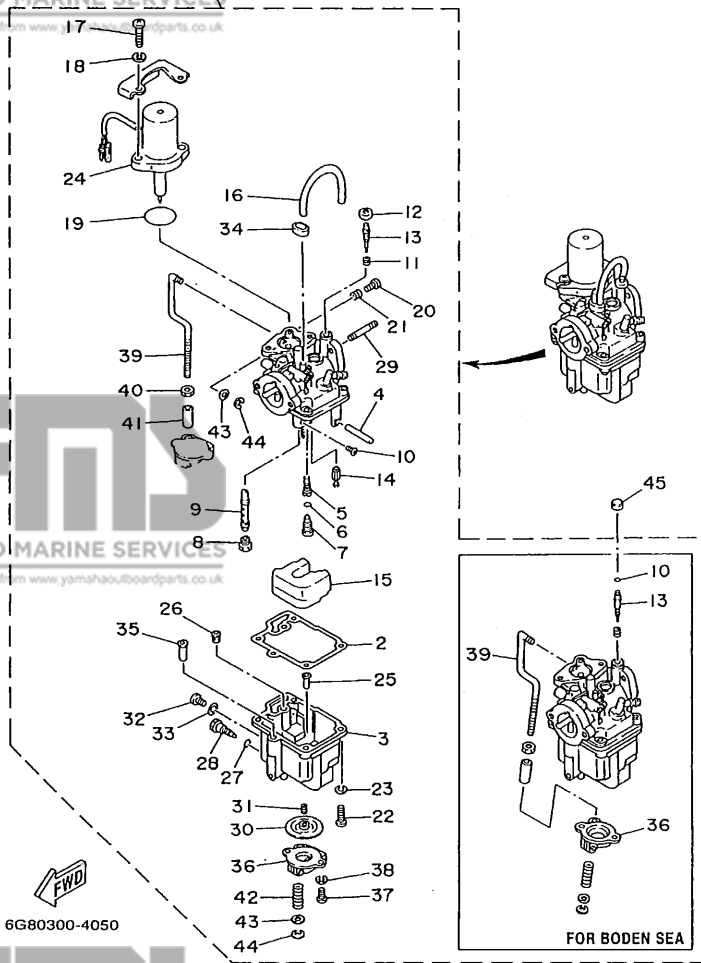


6G80300-9040

FIG. 4 INTAKE

ADMISSION

REF. NO.	PART NO. NO. PIECES	DESCRIPTION DESCRIPTION	MH	EH	E	REMARKS REMARQUES
27	97780-40512	SCREW, TAPPING VIS, TETE FRAISEE	4	4	4	
28	98507-04010	SCREW, PAN HEAD VIS, TETE TRONCONIQUE	1	1	1	
29	6G8-15393-00	PIPE, BREATHER 2 DURITE, RENIFLARD 2	1	1	1	UR STD
	6G8-15393-10	PIPE, BREATHER 2 DURITE, RENIFLARD 2	1	1	1	UR F8B BODEN SEA
30	90445-11M52	HOSE DURITE	1	1	1	
31	90445-09065	HOSE DURITE	1	1	1	
32	6G8-15376-00	HOLDER, GUIDE SUPPORT, GUIDE	1	1	1	
33	90465-08M75	CLAMP BRIDE	1	1	1	
34	6G8-15373-00	PIPE, BREATHER DURITE DE RENIFLARD	1	1	1	F8B BODEN SEA
35	6G8-13448-00	CAP CAPUCHON	1	1	1	F8B BODEN SEA
36	90465-08M75	CLAMP BRIDE	1	1	1	



6G80300-4050

FIG. 5 CARBURETOR

CARBURATEUR

REF. NO.	PART NO. NO. PIECES	DESCRIPTION DESCRIPTION	MH	HT	W	REMARKS REMARQUES
1	6G9-14301-05	CARBURETOR ASSY 1 CARBURATEUR COMPLET	1	1	1	UR F9.9B STD
	6J6-14301-06	CARBURETOR ASSY 1 CARBURATEUR COMPLET	1	1	1	UR F8B STD
	6J7-14301-10	CARBURETOR ASSY 1 CARBURATEUR COMPLET	1	1	1	UR F8B BODEN SEA
2	6G8-14384-01	.GASKET, FLOAT CHAMBER .JOINT, CUVE DE FLOTTEUR	1	1	1	
3	6G8-14381-02	.BODY, FLOAT CHAMBER .CORPS, CUVE DE FLOTTEUR	1	1	1	
4	647-14386-00	.PIN, FLOAT .AXE, FLOTTEUR	1	1	1	
5	6G8-14342-24	.JET, PILOT (# 48) .GICLEUR, RALENTI (# 48)	1	1	1	
6	654-14198-00	.GASKET .JOINT	1	1	1	
7	6G8-14345-00	.PLUG, MAIN NOZZLE .PLOT, GICLEUR PRINCIPAL	1	1	1	
8	648-14343-43	.JET, MAIN (# 86) .GICLEUR, PRINCIPAL (# 86)	1	1	1	UR STD
	648-14343-41	.JET, MAIN (# 82) .GICLEUR, PRINCIPAL (# 82)	1	1	1	UR F8B BODEN SEA
9	6G8-14341-20	.NOZZLE, MAIN .PUITS D'AIGUILLE	1	1	1	UR STD
	6G8-14341-30	.NOZZLE, MAIN .PUITS D'AIGUILLE	1	1	1	UR F8B BODEN SEA
10	6G8-14216-00	.SCREW .VIS	1	1	1	UR STD
	5H0-14397-00	.O-RING .JOINT TORIQUE	1	1	1	UR F8B BODEN SEA
11	647-14334-00	.SPRING .RESSORT	1	1	1	
12	6G8-14997-00	.SEAL .DURITE	1	1	1	STD
13	6G8-14323-00	.SCREW, AIR ADJUSTING .VIS DE DOSEUR D'AIR	1	1	1	UR STD
	6G8-14323-10	.SCREW, AIR ADJUSTING .VIS DE DOSEUR D'AIR	1	1	1	UR F8B BODEN SEA
14	6G8-14392-00	.VALVE, NEEDLE .POINTEAU	1	1	1	
15	6G8-14385-00	.FLOAT .FLOTTEUR	1	1	1	
16	6G8-14197-01	.PIPE .DURITE	1	1	1	
17	98580-06018	.SCREW, PAN HEAD .VIS, TETE TRONCONIQUE	2	2	2	
18	92990-06100	.WASHER, SPRING .RONDELLE, GROWER	2	2	2	
19	1HV-14147-00	.O-RING .JOINT TORIQUE	1	1	1	
20	654-14321-01	.SCREW, THROTTLE .VIS, ACCELERATEUR	1	1	1	
21	646-14212-00	.SPRING, PILOT ADJUSTING .RESSORT, VIS DE RALENTI	1	1	1	

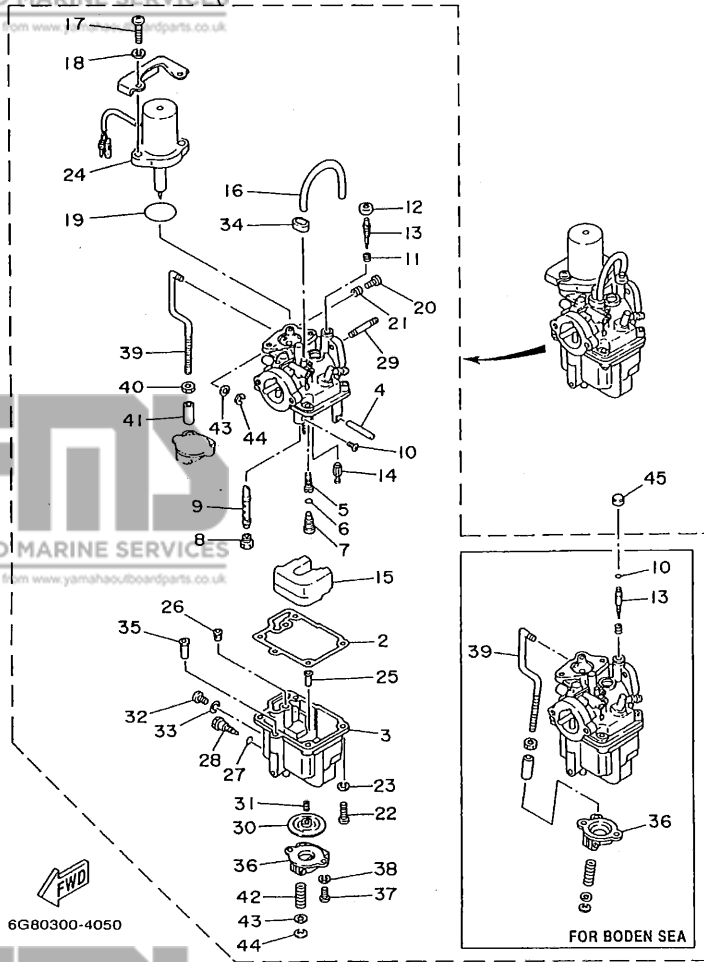
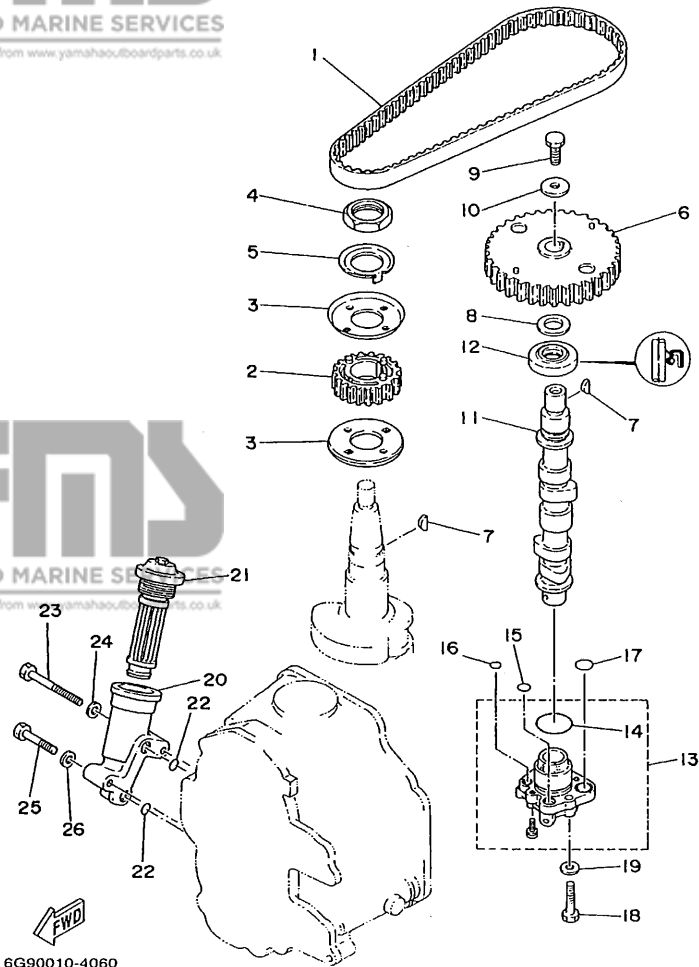


FIG. 5 CARBURETOR

CARBURATEUR

REF. NO.	PART NO. NO. PIECES	DESCRIPTION DESCRIPTION	MH	ET	LU	REMARKS REMARQUES
22	98580-04016	.SCREW, PAN HEAD .VIS, TETE TRONCONIQUE	4	4	4	
23	92990-04100	.WASHER, SPRING .RONDELLE, GROWER	4	4	4	
24	6G8-1410A-01	.STARTER SET .JEU DE STATERS	1	1	1	
25	6G8-14827-00	.FILTER .FILTRE	1	1	1	
26	6A4-14344-30	.JET, STARTER (# 60) .GICLEUR, STARTER (# 60)	1	1	1	
27	5Y1-14397-00	.O-RING .JOINT TORIQUE	1	1	1	
28	6G8-14383-00	.SCREW, DRAIN .BOUCHON, PURGE	1	1	1	
29	90116-06M26	.BOLT, STUD .GOUJON	2	2	2	
30	6G8-14368-02	.DIAPHRAGM ASSY 1 .DIAPHRAGME 1	1	1	1	
31	6G8-14275-01	.SPRING .RESSORT	1	1	1	
32	97890-05006	.SCREW, PAN HEAD .VIS, TETE TRONCONIQUE	1	1	1	
33	646-14198-01	.GASKET .JOINT	1	1	1	
34	6G8-14349-00	.PIPE .DURITE	1	1	1	
35	6G8-14217-00	.VALVE, CHOKE .CLAPET DE STARTER	1	1	1	
36	6G8-14293-03	.COVER 1 .COUVERCLE 1	1	1	1	UR STD
	6G8-14293-10	.COVER 1 .COUVERCLE 1	1	1	1	UR F8B BODEN SEA
37	98580-04010	.SCREW, PAN HEAD .VIS, TETE TRONCONIQUE	2	2	2	
38	92990-04100	.WASHER, SPRING .RONDELLE, GROWER	2	2	2	
39	6G8-14379-00	.ROD, STARTER .TRINGLE, STARTER	1	1	1	UR STD
	6G8-14379-10	.ROD, STARTER .TRINGLE, STARTER	1	1	1	UR F8B BODEN SEA
40	98813-03100	.NUT .ECROU	1	1	1	
41	6G8-14229-00	.SHAFT, CHOKE .AXE, STARTER	1	1	1	
42	6G8-14286-01	.SPRING .RESSORT	1	1	1	
43	6G8-14357-00	.WASHER, PLAIN .RONDELLE PLATE	2	2	2	
44	389-14137-00	.CLIP .JONC	2	2	2	
45	6G8-14457-00	.SEAL .JOINT	1	1	1	F8B BODEN SEA

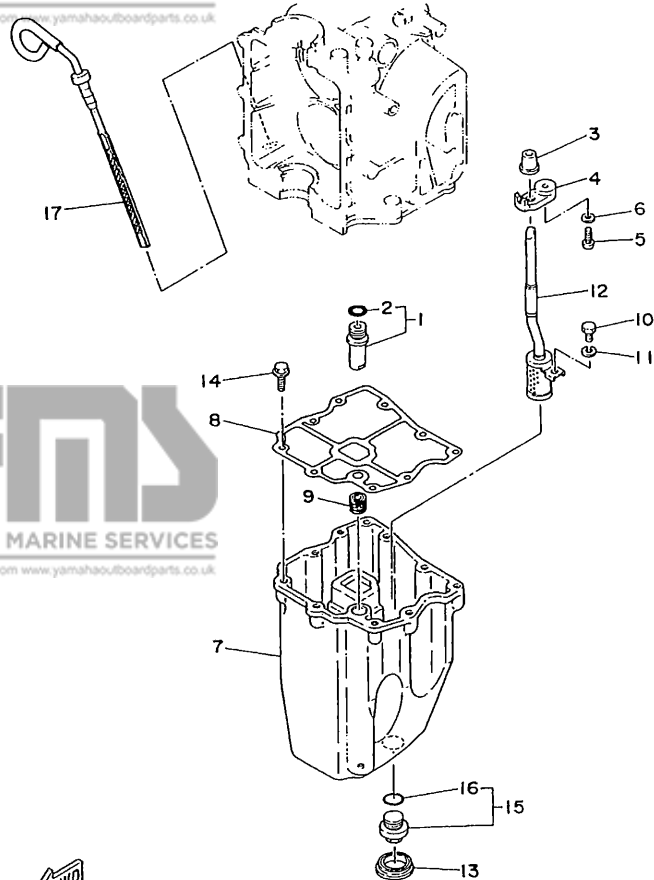


6G90010-4060

FIG. 6 OIL PUMP

POMPE A HUILE

REF. NO.	PART NO. NO. PIECES	DESCRIPTION DESCRIPTION	MH	ET	U	REMARKS REMARQUES
1	6G8-46241-00	V-BELT COURROIE TRAPEZOIDALE	1	1	1	
2	6G8-11536-00-94	GEAR, DRIVE PIGNON SECONDAIRE	1	1	1	
3	6G8-11557-00	WASHER 1 RONDELLE 1	2	2	2	
4	90170-24M09	NUT ECROU	1	1	1	
5	6G8-11587-00	WASHER, LOCK RONDELLE, FREIN	1	1	1	
6	6G8-11537-00-94	GEAR, DRIVEN PIGNON SECONDAIRE	1	1	1	
7	90280-03M01	KEY, WOODRUFF CLAVETTE, DEMI-LUNE	2	2	2	
8	90201-13201	WASHER, PLATE RONDELLE, PLATE	1	1	1	
9	97013-06016	BOLT BOULON	1	1	1	
10	90201-06M94	WASHER, PLATE RONDELLE, PLATE	1	1	1	
11	6G8-12171-00	CAMSHAFT 1 ARBRE A CAMES 1	1	1	1	
12	93102-18M21	OIL SEAL JOINT SPY	1	1	1	
13	6G8-13300-02	OIL PUMP ASSY POMPE A HUILE COMPLET	1	1	1	
14	93210-27ME3	O-RING JOINT TORIQUE	1	1	1	
15	93210-10M61	O-RING JOINT TORIQUE	1	1	1	
16	93210-09M01	O-RING JOINT TORIQUE	1	1	1	
17	93210-13M63	O-RING JOINT TORIQUE	2	2	2	
18	97095-06025	BOLT BOULON	3	3	3	
19	92995-06600	WASHER RONDELLE	3	3	3	
20	6G8-13442-00-1S	HOUSING, OIL FILTER LOGEMENT, FILTRE A HUILE	1	1	1	
21	6G8-13440-00	ELEMENT ASSY, OIL CLEANER ELEMENT, FILTRE A HUILE	1	1	1	
22	93210-09M01	O-RING JOINT TORIQUE	2	2	2	
23	97013-06050	BOLT BOULON	1	1	1	
24	92903-06600	WASHER, PLATE RONDELLE, PLATE	1	1	1	
25	97013-06030	BOLT BOULON	1	1	1	
26	92903-06600	WASHER, PLATE RONDELLE, PLATE	1	1	1	



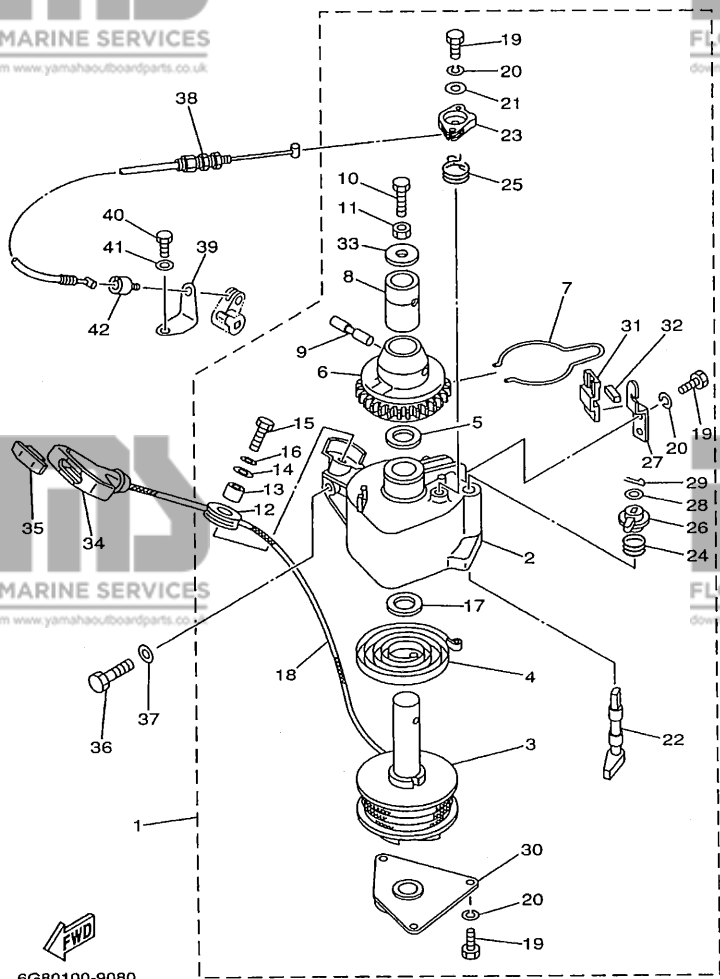
6G90010-4070

FIG. 7 OIL PAN

VENTILATEUR D'HUILE

REF. NO.	PART NO. NO. PIECES	DESCRIPTION DESCRIPTION	MH	EH	U	REMARKS REMARQUES
1	6G8-11575-00	RELIEF VALVE ASSY SOUPAPE DE RENTREE D'AIR	1	1	1	
2	93210-12M62	.O-RING .JOINT TORIQUE	1	1	1	
3	6G8-15379-00	SEAL, CRANKCASE JOINT SPY DE CARTER DE MOTEUR	1	1	1	
4	6G8-13487-00	GUIDE, OIL HOSE GUIDE DE DURITE A HUILE	1	1	1	
5	97880-05012	SCREW, PAN HEAD VIS, TETE TRONCONIQUE	1	1	1	
6	92990-05600	WASHER, PLATE RONDELLE, PLATE	1	1	1	
7	6G8-15311-03-0D	OIL PAN VENTILATEUR D'HUILE	1	1	1	
8	6G8-15312-A1	GASKET, OIL PAN JOINT DE VENTILATEUR D'HUILE	1	1	1	
9	6G8-45127-00	SEAL JOINT	1	1	1	
10	97013-06010	BOLT BOULON	1	1	1	
11	92903-06100	WASHER, SPRING RONDELLE, GROUVER	1	1	1	
12	6G8-13421-00	STRAINER 2 FILTRE 2	1	1	1	
13	6G8-15316-00	DAMPER, ENGINE MOUNT 1 AMORTISSEUR DE SUPPORT	1	1	1	
14	90105-06M33	BOLT, WASHER BASED BOULON, AVEC RONDELLE	9	9	9	
15	6G8-13471-00	PLUG, DRAIN PLOT, VIDANGE	1	1	1	
16	93210-16M64	.O-RING .JOINT TORIQUE	1	1	1	
17	6G8-15362-04	PLUG, OIL LEVEL PLOT, NIVEAU D'HUILE	1	1	1	

B6



6G80100-9080

FIG. 8 STARTER

DEMARREUR

REF. NO.	PART NO. NO. PIECES	DESCRIPTION DESCRIPTION	M	H	E	U	REMARKS REMARQUES
1	6G8-15710-10	STARTER ASSY DEMARREUR COMPLET	1				
2	6G8-15711-00	CASE, STARTER CARTER DE DEMARREUR	1				
3	6G8-15714-00	DRUM, SHEAVE TAMBOUR, POULIE	1				
4	6G8-15713-00	SPRING, STARTER RESSORT DE DEMARREUR	1				
5	6G8-15719-00	WASHER, THRUST RONDELLE, DE BUTEE	1				
6	6G8-15723-00	PULLEY, STARTER POULIE DE DEMARREUR	1				
7	6G8-15715-00	SPRING, FRICTION RESSORT, PLAQUE D'ENTRAINEMT	1				
8	6G8-15754-00	BUSH 2 BAGUE 2	1				
9	6G8-15727-00	PIN AXE	1				
10	6G8-15768-00	BOLT BOULON	1				
11	95333-08700	NUT ECROU	1				
12	6F5-15752-00	ROLLER, WIRE GALET, CABLE	1				
13	663-15753-00	BUSH CHARBON	1				
14	663-15791-00	WASHER, LOCK RONDELLE-FREIN	1				
15	97305-06025	BOLT BOULON	1				
16	92903-06100	WASHER, SPRING RONDELLE, GROWER	1				
17	6G8-15739-00	WASHER, THRUST RONDELLE, DE BUTEE	1				
18	*	WIRE (L:1850) CABLE (L:1850)	1				
19	97322-05012	BOLT BOULON	6				
20	92902-05100	WASHER, SPRING RONDELLE, GROWER	6				
21	6G8-15726-00	WASHER, FLAT RONDELLE, PLATE	1				
22	6G8-15794-00	STOPPER BUTEE	1				
23	6G8-15746-00	ARM BRAS	1				
24	6G8-15767-00	SPRING RESSORT	1				
25	6G8-15734-00	SPRING, RETURN RESSORT, RAPPEL	1				

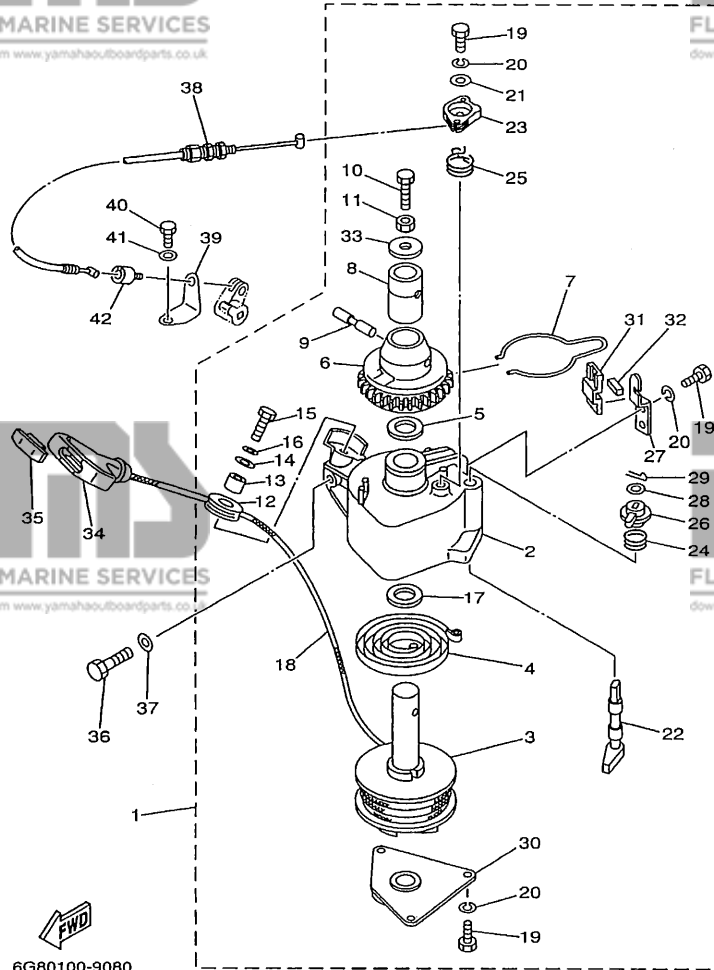
* CUT FROM 50M ROLLS, PART NO. 90890-44373,
CUTTING LENGTH 1.85M

* A PRELEVER SUR BOBINE 50M , REFERENCE 90890-44373,
LONGUEUR DE COUPE 1.85M

FIG. 8 STARTER

DEMARREUR

REF. NO.	PART NO. NO. PIECES	DESCRIPTION DESCRIPTION	MH	H	U	REMARKS REMARQUES
26	6G8-15747-00	.LINK .BIELLETTTE	1			
27	6G8-15716-00	.PLATE, DRIVE .PLAQUE, ENTRAINEMENT	1			
28	92902-06200	.WASHER .RONDELLE	1			
29	91490-16012	.PIN, COTTER .GOUPILLE, FENDUE	1			
30	6G8-15712-00	.COVER, STARTER CASE .COUVERCLE, CARTER DEMARREUR	1			
31	6G8-15779-00	.COVER .COUVERCLE	1			
32	6G8-15789-00	.DAMPER .AMORTISSEUR	1			
33	6G8-15742-00	.WASHER, DRIVE PAWL .RONDELLE, CLIQUET	1			
34	6G1-15755-00	HANDLE, STARTER POIGNEE, DE DEMARREUR	1			
35	689-15779-01	COVER COUVERCLE	1			
36	97075-08030	BOLT BOULON	3			
37	92995-08600	WASHER RONDELLE	3			
38	6G8-15770-00	CABLE COMP., STARTER STOP CABLE, BUTEE DE DEMAR	1			
39	6G8-15771-00	STAY 1 SUPPORT 1	1			
40	97095-06012	BOLT BOULON	1			
41	92995-06600	WASHER RONDELLE	1			
42	6G8-15772-00	STAY 2 SUPPORT 2	1			



6G80100-9080

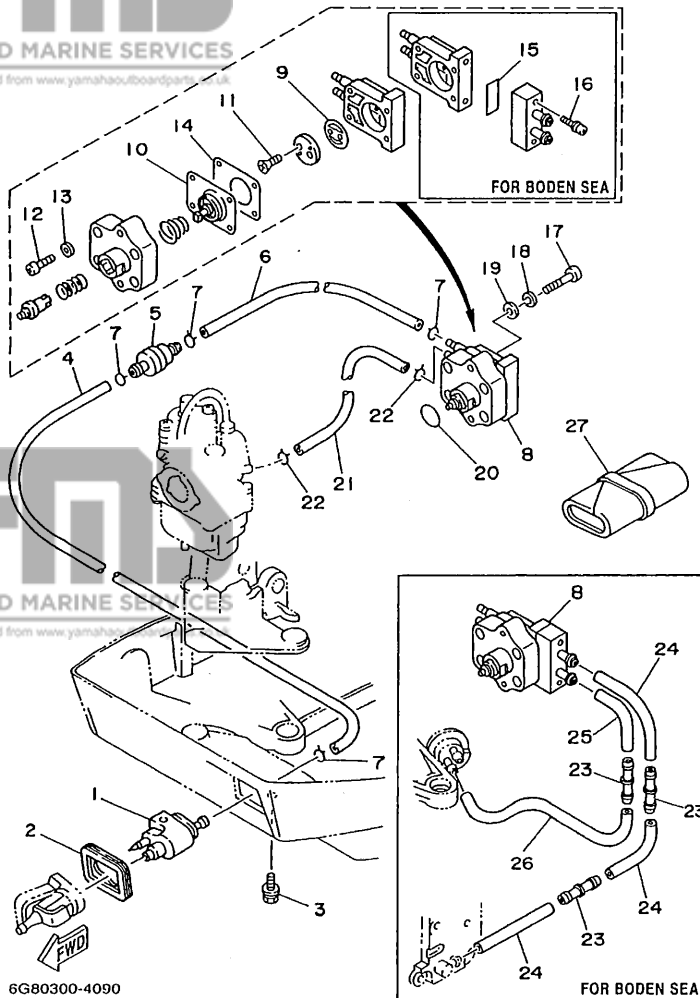


FIG. 9 FUEL CARBURANT

REF. NO.	PART NO. NO. PIECES	DESCRIPTION DESCRIPTION	MH	ET	W	REMARKS REMARQUES
1	6G1-24304-02	FUEL PIPE JOINT COMP. 1 DURITE RACCORDEMENT. A ESSENCE	1	1	1	
2	6G8-24329-00	SEAL JOINT	1	1	1	
3	97595-06520	BOLT, WITH WASHER VIS HEXAGONAL AVC RONDELLE	1	1	1	
4	6G8-24311-00	PIPE, FUEL 1 DURITE A ESSENCE	1	1	1	
5	646-24251-02	STRAINER 1 FILTRE_1	1	1	1	
6	90445-09065	HOSE DURITE	1	1	1	
7	90467-08004	CLIP JONC	4	4	4	
8	6G8-24410-03	FUEL PUMP ASSY POMPE A ESSENCE	1	1	1	UR STD
	6G8-24410-E0	FUEL PUMP ASSY POMPE A ESSENCE	1	1	1	UR F8B BODEN SEA
9	6G8-24421-00	.VALVE, CHECK SOUPAPE, RETENUE	1	1	1	
10	6G8-24411-02	.DIAPHRAGM .DIAPHRAGME	1	1	1	
11	98780-03008	.SCREW, FLAT HEAD .VIS, TETE PLATE	2	2	2	
12	98503-04014	.SCREW, PAN HEAD .VIS, TETE TRONCONIQUE	4	4	4	
13	92903-04600	.WASHER .RONDELLE	4	4	4	
14	6G8-24471-00	.DIAPHRAGM .DIAPHRAGME	1	1	1	
15	6G8-24329-00	.SEAL .JOINT	1	1	1	F8B BODEN SEA
16	677-24444-00	.SCREW .VIS	2	2	2	F8B BODEN SEA
17	97880-06025	SCREW, PAN HEAD VIS, TETE TRONCONIQUE	2	2	2	
18	92990-06100	WASHER, SPRING RONDELLE, GROWER	2	2	2	
19	92990-06600	WASHER, PLATE RONDELLE, PLATE	2	2	2	
20	93210-20M65	O-RING JOINT TORIQUE	1	1	1	
21	90445-09105	HOSE DURITE	1	1	1	
22	90467-08004	CLIP JONC	2	2	2	
23	6G8-24376-00	PIPE, JOINT 1 DURITE 1, RACCORDEMENT	3	3	3	F8B BODEN SEA
24	90445-09065	HOSE DURITE	3	3	3	F8B BODEN SEA
25	6H4-24312-00	PIPE 2 DURITE 2	1	1	1	F8B BODEN SEA
26	90445-09M00	HOSE DURITE	1	1	1	F8B BODEN SEA

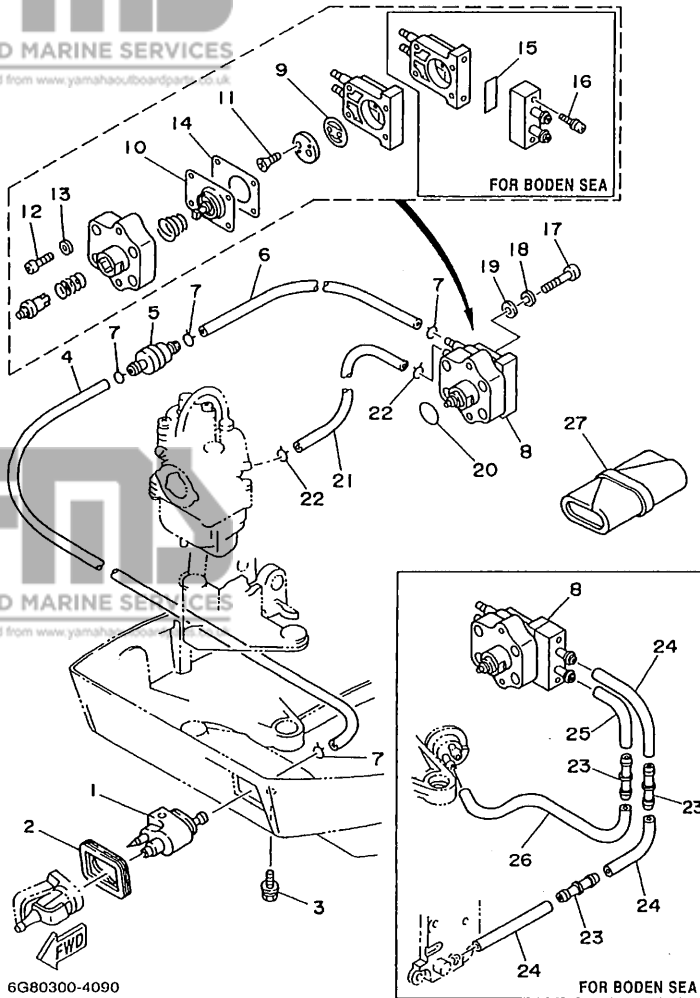
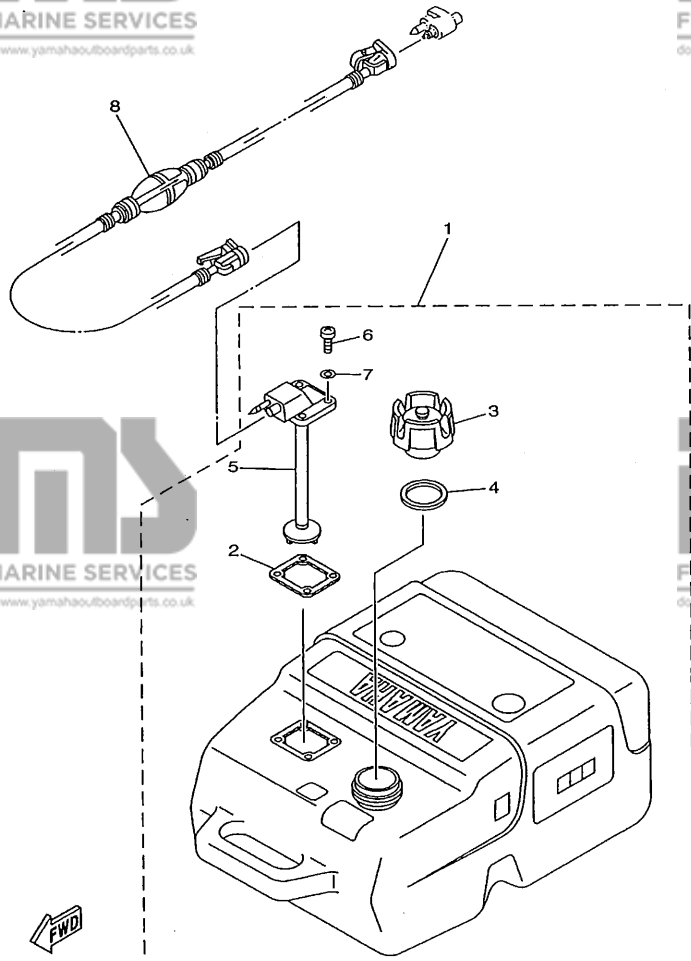


FIG. 9 FUEL CARBURANT

REF. NO.	PART NO. NO. PIECES	DESCRIPTION DESCRIPTION	MH	ET	LI	REMARKS REMARQUES
27	676-W2810-01	TOOL KIT TROUSSE A OUTILS	1	1	1	



6J8NV-9080

FIG. 10 FUEL TANK 1

RESERVOIR A CARBURANT 1

REF. NO.	PART NO. NO. PIECES	DESCRIPTION DESCRIPTION	MH	EH	W	REMARKS REMARQUES
1	6YK-24201-01	FUEL TANK ASSY	1	1	1	UR PLASTIC, 25L, 'SCEPTER' UR F8B BODEN SEA
	6YK-24201-10	RESERVOIR A ESSENCE (ENS.) FUEL TANK ASSY (25L) RESERVOIR A ESSENCE (ENS.) 25L	1	1	1	
2	6YL-24268-01	.GASKET, FUEL METER .JOINT, JAUGE A CARBURANT	1	1	1	UR WITH INDICATOR
3	6YK-24610-00	.CAP ASSY .BOUCHON	1	1	1	
	6YK-24610-10	.CAP ASSY .BOUCHON	1	1	1	UR F8B BODEN SEA WITHOUT INDICATOR
4	6YL-24641-00	.GASKET, CAP 1 .JOINT 1, BOUCHON	1	1	1	
5	6YK-24260-01	.FUEL METER ASSY .INDICATEUR DE CARBURANT	1	1	1	
6	90157-05M16	.SCREW, PAN HEAD .VIS, TETE TRONCONIQUE	4	4	4	
7	6YL-24329-00	.SEAL .JOINT	4	4	4	
8	6YL-24306-50	FUEL PIPE COMP. 1 DURITE A ESSENCE 1	1	1	1	

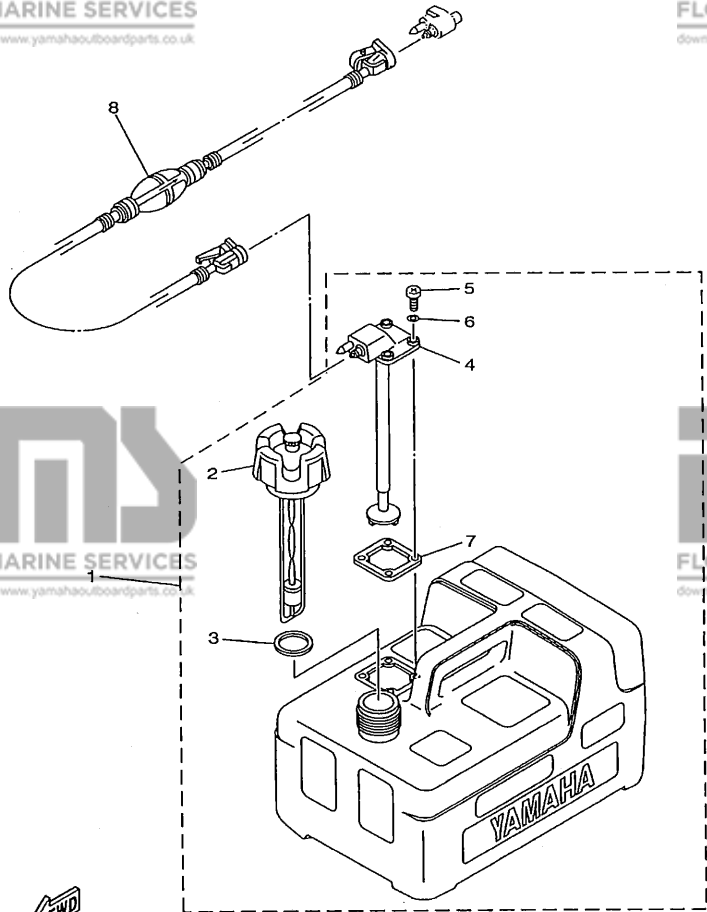


FIG. 11 FUEL TANK 2

RESERVOIR A CARBURANT 2

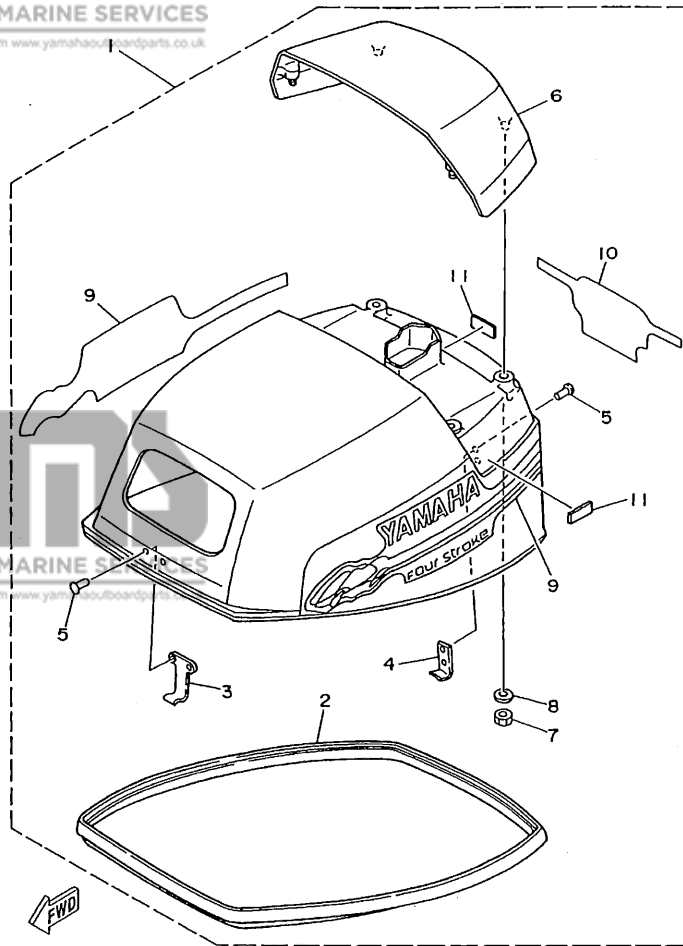
REF. NO.	PART NO. NO. PIECES	DESCRIPTION DESCRIPTION	MH	EH	U	REMARKS REMARQUES
1	6YL-24201-01	FUEL TANK ASSY (12L) RESERVOIR A ESSENCE (ENS.) 12L	1		1	F8B STD
2	6YL-24610-00	.CAP ASSY .BOUCHON	1		1	
3	6YL-24641-00	.GASKET, CAP 1 .JOINT 1, BOUCHON	1		1	
4	6YL-24260-01	.FUEL METER ASSY .INDICATEUR DE CARBURANT	1		1	
5	90157-05M16	.SCREW, PAN HEAD .VIS, TETE TRONCONIQUE	4		4	
6	6YL-24329-00	.SEAL .JOINT	4		4	
7	6YL-24268-01	.GASKET, FUEL METER .JOINT, JAUGE A CARBURANT	1		1	
8	6YL-24306-50	FUEL PIPE COMP. 1 DURITE A ESSENCE 1	1		1	



66RNV-9110

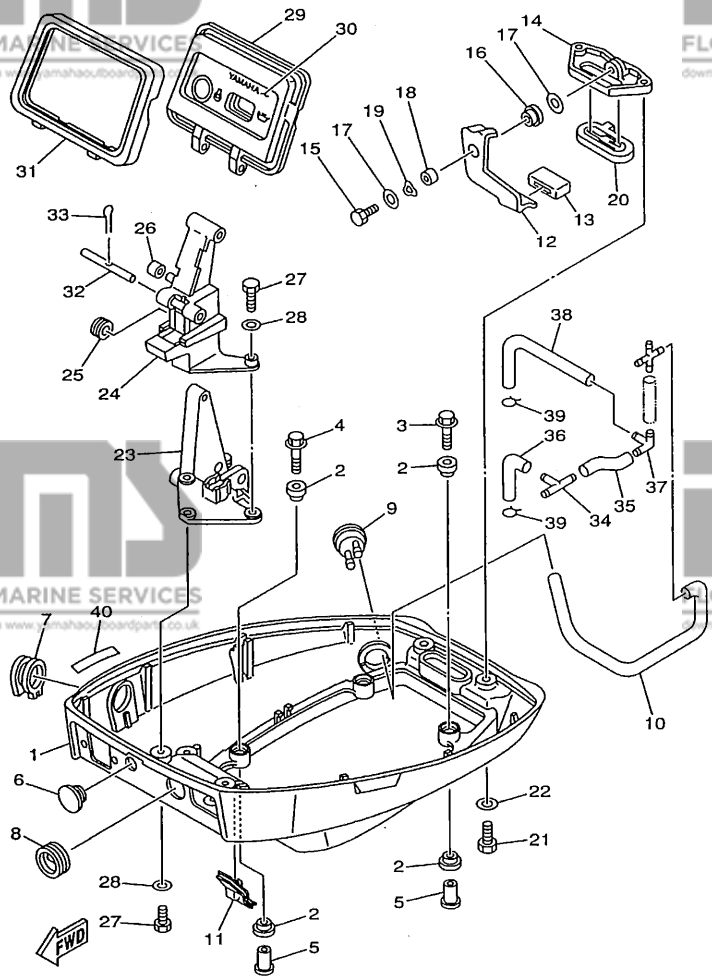
FIG. 12 TOP COWLING

CAPOT SUPERIEUR



6G90010-5110

REF. NO.	PART NO. NO. PIECES	DESCRIPTION	MH	H	U	REMARKS
1	6G9-42610-14-4D	TOP COWLING ASSY CAPOT (ENS.)	1	1	1	UR F9.9B
	6J7-42610-51-4D	TOP COWLING ASSY CAPOT (ENS.)	1	1	1	UR F8B
2	6G8-42615-01	.SEAL .JOINT	1	1	1	
3	6G8-42651-00	.HOOK .CROCHET	1	1	1	
4	6G8-42652-00	.HOOK .CROCHET	1	1	1	
5	90266-04M04	.RIVET .RIVET	4	4	4	
6	6G8-42613-01-4D	.MOLDING, AIR DUCT .MANCHON A AIR	1	1	1	
7	95303-06700	.NUT .ECROU	4	4	4	
8	92903-06200	.WASHER, PLAIN .RONDELLE, PLATE	4	4	4	
9	6G9-W0070-13	.GRAPHIC SET .JEU DIEMBLEMES	1	1	1	
10	6G9-42678-13	.GRAPHIC, REAR .ADHESIF, ARRIERE	1	1	1	UR F9.9B
	6J7-42678-51	.GRAPHIC, REAR .ADHESIF, ARRIERE	1	1	1	UR F8B
11	6G8-42662-00	.DAMPER .AMORTISSEUR	3	3	3	

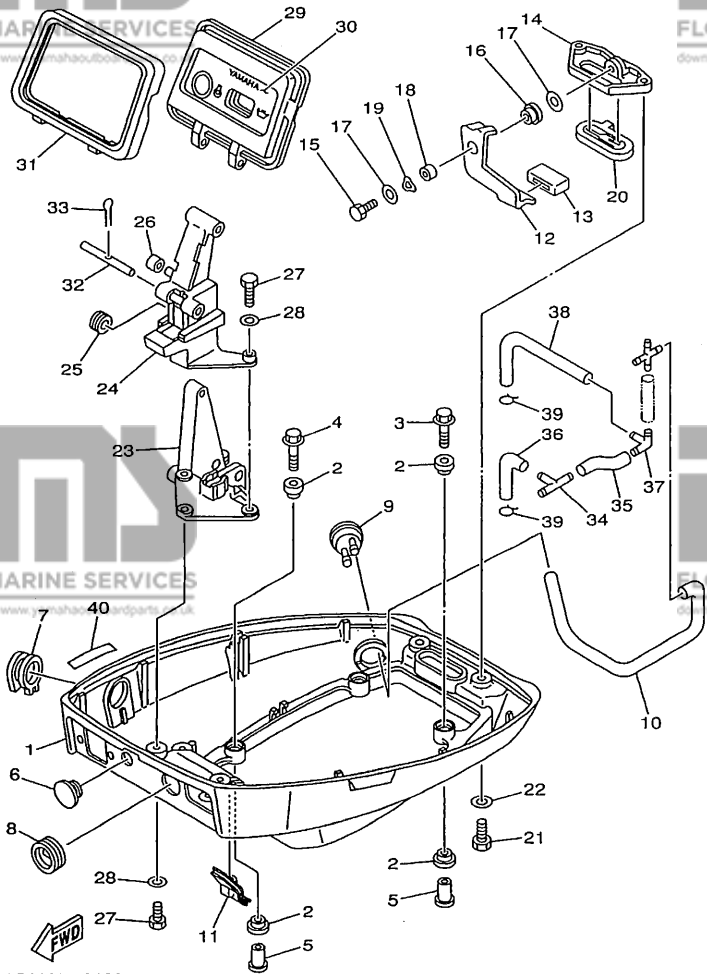


6G90300-9130

FIG. 13 BOTTOM COWLING

CAPOT INFERIEUR

REF. NO.	PART NO. NO. PIECES	DESCRIPTION DESCRIPTION	MH	EU	U	REMARKS REMARQUES
1	6G8-42711-02-4D	COWLING, BOTTOM CUVETTE	1	1	1	
2	90480-09M35	GROMMET PASSE-FIL	8	8	8	
3	90119-06M56	BOLT, WITH WASHER BOULON, AVEC RONDELLE	2	2	2	
4	90119-06M55	BOLT, WITH WASHER BOULON, AVEC RONDELLE	2	2	2	
5	90387-06M15	COLLAR COLLERETTE	4	4	4	
6	90480-17165	GROMMET PASSE-FIL			1	
7	6G8-42724-00	GROMMET PASSE-FIL	1	1	1	
8	6G8-42724-40	GROMMET PASSE-FIL		1		
9	6G8-44391-00	NIPPLE, HOSE RACCORD D'ESSENCE	1	1	1	
10	90445-09163	HOSE DURITE	1	1	1	F9.9B STD/F8B STD
11	6G8-42727-00	GROMMET PASSE-FIL	1	1	1	
12	6G8-42815-00	LEVER, CLAMP LEVIER, PRESSE	1	1	1	
13	6G8-42831-00	BUSHING POULIE	1	1	1	
14	6G8-42811-00-94	STAY SUPPORT	1	1	1	
15	97013-06016	BOLT BOULON	1	1	1	
16	90386-08M49	BUSH DOUILLE	1	1	1	
17	90201-06M31	WASHER, PLATE RONDELLE, PLATE	2	2	2	
18	90387-06M72	COLLAR COLLERETTE	1	1	1	
19	90206-08M13	WASHER, WAVE RONDELLE, ONDULEE	1	1	1	
20	6G8-42748-00	GROMMET PASSE-FIL	1	1	1	
21	97095-06016	BOLT BOULON	2	2	2	
22	92995-06600	WASHER RONDELLE	2	2	2	
23	6G8-42738-00-94	PLATE, FITTING ETRIER	1	1	1	
24	6G8-42719-00-94	PANEL, FRONT LOWER PANNEAU, AVANT INFERIEUR	1	1	1	
25	90480-19031	GROMMET PASSE-FIL	1	1	1	
26	90445-05ME6	HOSE DURITE	1	1	1	
27	97095-06016	BOLT BOULON	4	4	4	



6G90300-9130

FIG. 13 BOTTOM COWLING

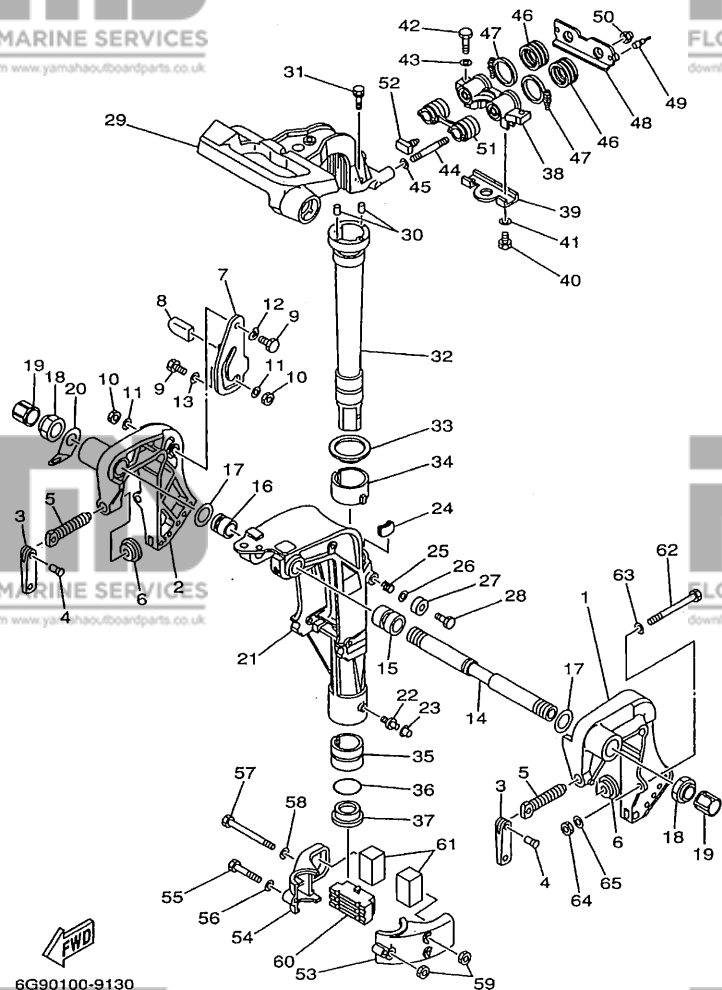
CAPOT INFERIEUR

REF. NO.	PART NO. NO. PIECES	DESCRIPTION DESCRIPTION	M	H	U	REMARKS REMARQUES
28	92995-06600	WASHER RONDELLE	4	4	4	
29	6G8-42614-02	PANEL, FRONT UPPER PANNEAU, AVANT SUPERIEUR	1			UR
	6G8-42614-12	PANEL, FRONT UPPER PANNEAU, AVANT SUPERIEUR		1	1	UR
30	6G8-42677-00	GRAPHIC, FRONT ADHESIF, AVANT	1			UR
	6G8-42677-10	GRAPHIC, FRONT ADHESIF, AVANT		1		UR
	6G8-42677-20	GRAPHIC, FRONT ADHESIF, AVANT			1	UR
31	6G8-42629-02	SEAL JOINT	1	1	1	
32	6G8-42755-00	HINGE, COWLING PENTURE	1	1	1	
33	91490-16010	PIN, COTTER GOUPILLE, FENDUE	1	1	1	
34	6G8-24379-00	PIPE, JOINT 4 DURITE RACCORDEMENT	1	1	1	
35	90445-10M78	HOSE DURITE	1	1	1	
36	6G8-12476-00	PIPE 6 DURITE 6	1	1	1	
37	6G8-24378-01	PIPE, JOINT 3 DURITE, RACCORDEMENT 3	1	1	1	
38	6G8-12485-00	PIPE 5 DURITE 5	1	1	1	
39	90467-10M04	CLIP JONC	2	2	2	
40	6E0-44191-11	INDICATOR, SHIFT ETIQUETTE, EMBRAYAGE			1	

FIG. 14 BRACKET 1

SUPPORT 1

REF. NO.	PART NO. NO. PIECES	DESCRIPTION DESCRIPTION	MH	ET	u	REMARKS REMARQUES
1	6G8-43111-04-4D	BRACKET, CLAMP PRESSE	1	1	1	
2	6G8-43112-04-4D	BRACKET, CLAMP PRESSE	1	1	1	
3	6E0-43118-01	HANDLE, TRANSOM CLAMP POIGNEE DE VIS DE PRESSE	2	2	2	
4	90243-04M01	PIN GOUILLE	2	2	2	
5	6E7-43116-00	SCREW, TRANSOM CLAMP VIS DE PRESSE	2	2	2	
6	648-43114-01	PAD, TRANSOM CLAMP RONDELLE D'APPUI	2	2	2	
7	6G8-43181-00	LEVER, TILT STOP LEVIER, VERROUILLAGE RELEVAGE	1	1	1	
8	682-43318-01	COVER CAPUCHON	1	1	1	
9	90109-06M25	BOLT BOULON	2	2	2	
10	95680-06100	NUT, U ECROU, U	2	2	2	
11	92990-06600	WASHER, PLATE RONDELLE, PLATE	2	2	2	
12	90206-10M15	WASHER, WAVE RONDELLE, ONDULEE	1	1	1	
13	682-43339-01	WASHER RONDELLE	1	1	1	
14	6G8-43131-00	BOLT, CLAMP BRACKET BOULON, PRESSE	1	1	1	
15	90386-22M92	BUSH DOUILLE	1	1	1	
16	90386-22M93	BUSH DOUILLE	1	1	1	
17	90201-22M03	WASHER, PLATE RONDELLE, PLATE	2	2	2	
18	90185-22043	NUT, SELF-LOCKING ECROU, AUTO-BLOCANT	2	2	2	
19	6G5-43145-00	CAP, CLAMP BRACKET CAPUCHON, PRESSE	2	2	2	
20	6J8-43113-01	PLATE, CLAMP BRACKET PLAQUETTE, PRESSE	1	1	1	
21	6G9-43311-04-4D	BRACKET, SWIVEL SUPPORT, PIVOT	1	1	1	UR S
	6G8-43311-15-4D	BRACKET, SWIVEL SUPPORT, PIVOT	1	1	1	UR L
22	93700-06M03	NIPPLE, GREASE GRAISSEUR	1	1	1	
23	663-45119-00	CAP, GREASE NIPPLE CAPUCHON, GRAISSEUR	1	1	1	AP
24	6G8-42528-00	PLATE, FRICTION PLAQUE, FRICTION	1	1	1	
25	90501-18M00	SPRING, COMPRESSION RESSORT, COMPRESSION	1	1	1	
26	90201-06M31	WASHER, PLATE RONDELLE, PLATE	1	1	1	

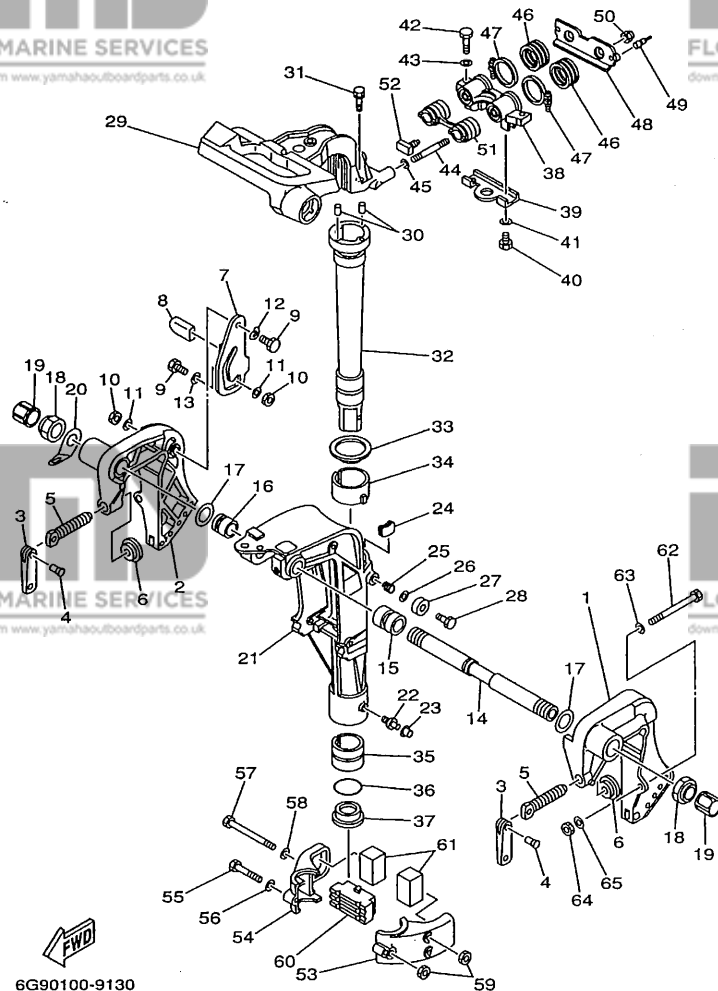


6G90100-9130

D2

FIG. 14 BRACKET 1 SUPPORT 1

REF. NO.	PART NO. NO. PIECES	DESCRIPTION DESCRIPTION	MH	HT	W	REMARKS REMARQUES
27	6G8-43373-00	SEAL, DAMPER JOINT	1	1	1	
28	97095-06025	BOLT BOULON	1	1	1	
29	6G9-42511-01-4D	BRACKET, STEERING CADRE, DIRECTION	1	1	1	
30	93605-15065	PIN, DOWEL GOUJON	2	2	2	
31	90119-06M06	BOLT, WITH WASHER BOULON, AVEC RONDELLE	2	2	2	
32	6G9-42521-00-94	SHAFT, STEERING PIVOT AXE, PIVOT DE DIRECTION	1	1	1	UR S
	6G8-42521-10-94	SHAFT, STEERING PIVOT AXE, PIVOT DE DIRECTION	1	1	1	UR LX
33	90209-45M09	WASHER RONDELLE	1	1	1	
34	6G8-42537-00	BUSHING, PIVOT SHAFT COUSSINET	1	1	1	
35	90386-37M47	BUSH DOUILLE	1	1	1	
36	93210-37M67	O-RING JOINT TORIQUE	1	1	1	
37	90386-37M48	BUSH DOUILLE	1	1	1	
38	6G8-44517-00-94	MOUNT RUBBER SILENT-BLOC	1	1	1	
39	6G8-44526-00	PLATE PLAQUE	1	1	1	
40	97095-06012	BOLT BOULON	2	2	2	
41	92995-06600	WASHER RONDELLE	2	2	2	
42	97095-08030	BOLT BOULON	2	2	2	
43	92995-08600	WASHER RONDELLE	2	2	2	
44	90116-08M28	BOLT, STUD GOUJON	2	2	2	
45	90201-08M12	WASHER, PLATE RONDELLE, PLATE	2	2	2	
46	6G8-44522-00	SEAL JOINT	2	2	2	
47	90460-38M06	CLAMP, HOSE BRIDE, DE DURITE	2	2	2	
48	6G8-44518-00	BRACKET COMP. SUPPORT COMPLET	1	1	1	
49	6G8-44533-00	DAMPER, UPPER MOUNT RUBBER COUVERCLE, SUSPENSION INFERIEUR	2	2	2	
50	90185-08057	NUT, SELF-LOCKING ECROU, AUTO-BLOCANT	2	2	2	
51	6G8-44521-00	SEAL JOINT	1	1	1	
52	6G8-44532-00	STOPPER, UPPER MOUNT PLAQUETTE	1	1	1	



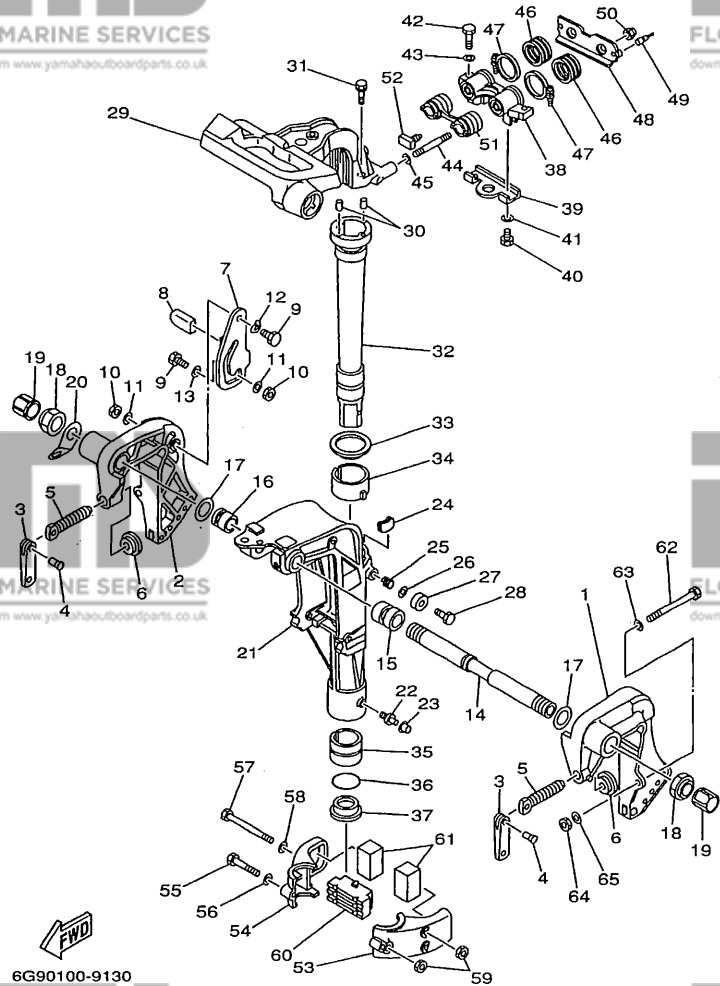
6G90100-9130

D3

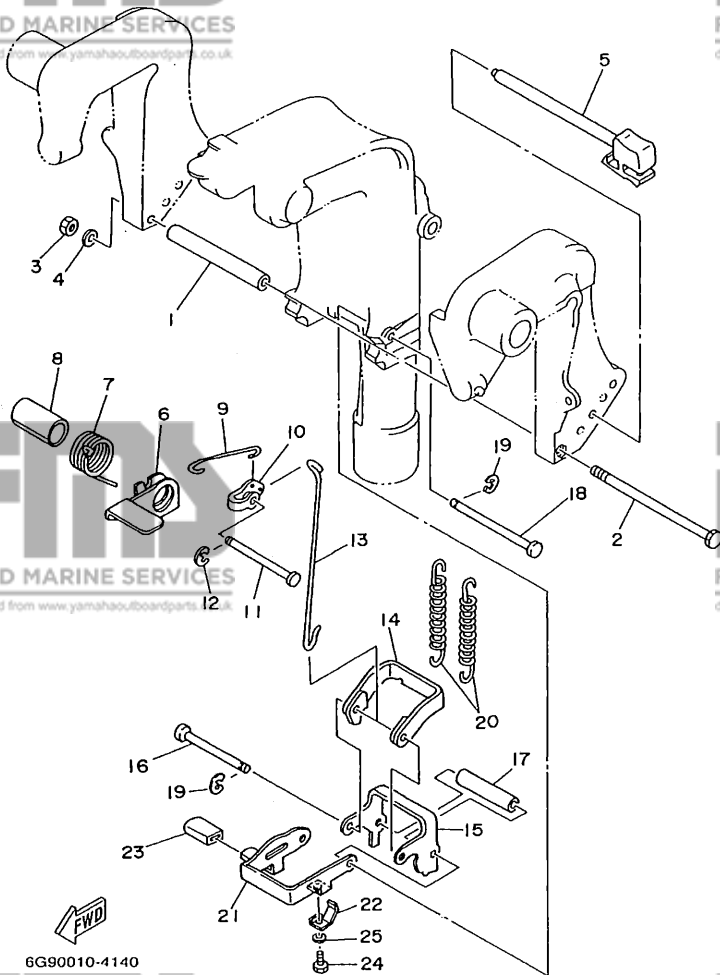
FIG. 14 BRACKET 1

SUPPORT 1

REF. NO.	PART NO. NO. PIECES	DESCRIPTION DESCRIPTION	MH	W	REMARKS REMARQUES	
53	6G8-44551-01-4D	HOUSING, LOWER MOUNT RUBBER BOITIER, SILENT-BLOC INFÉRIEUR	1	1	1	
54	6G8-44552-02-4D	HOUSING, LOWER MOUNT RUBBER BOITIER, SILENT-BLOC INFÉRIEUR	1	1	1	
55	97095-06045	BOLT BOULON	1	1	1	
56	92995-06600	WASHER RONDELLE	1	1	1	
57	97095-06095	BOLT BOULON	2	2	2	
58	92995-06600	WASHER RONDELLE	2	2	2	
59	95380-06700	NUT ECROU	3	3	3	
60	6G8-44557-00	MOUNT DAMPER, LOWER FRONT SILENT-BLOC, INFÉRIEUR AVANT	1	1	1	
61	682-44555-00	MOUNT DAMPER, LOWER SIDE SILENT-BLOC, INFÉRIEUR LATÉRAL	2	2	2	
62	90101-08M88	BOLT BOULON	2	2	2	AP
63	92990-08600	WASHER, PLATE RONDELLE, PLATE	2	2	2	AP
64	95780-08300	NUT, FLANGE ECROU, A COLLERETTE	2	2	2	AP
65	90201-08MA4	WASHER, PLATE RONDELLE, PLATE	2	2	2	AP



6G90100-9130



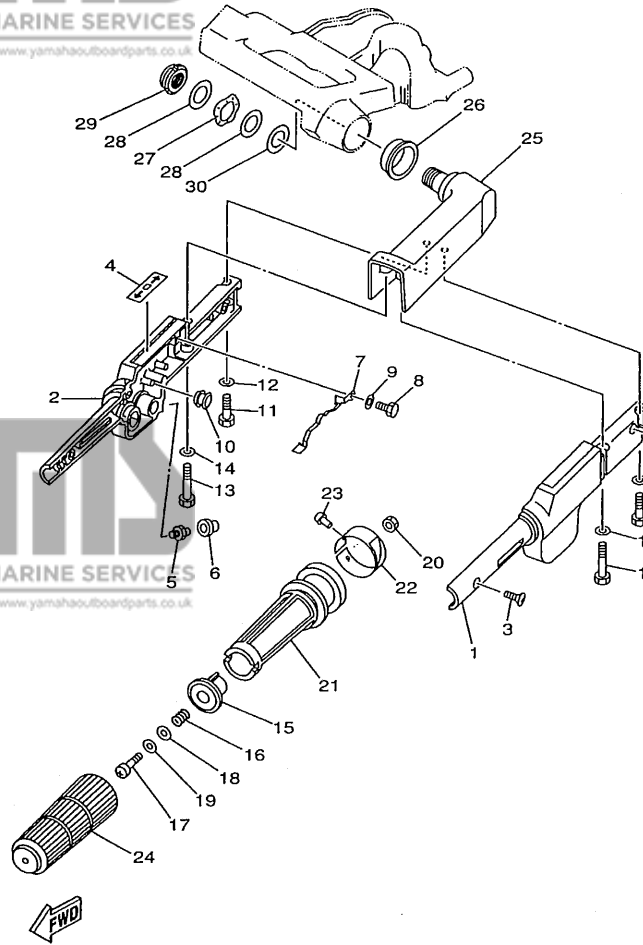
6G90010-4140

FIG. 15 BRACKET 2

SUPPORT 2

REF. NO.	PART NO. NO. PIECES	DESCRIPTION DESCRIPTION	MH	ET	W	REMARKS REMARQUES
1	90387-06M09	COLLAR COLLERETTE	1	1	1	
2	97095-06135	BOLT BOULON	1	1	1	
3	95380-06700	NUT ECROU	1	1	1	
4	92990-06600	WASHER, PLATE RONDELLE, PLATE	1	1	1	
5	6G8-43160-01	TILT ROD ASSY BROCHE D'INCLINAISON.(ENS.)	1	1	1	
6	6G8-43631-03	LEVER, TILT LEVIER, INCLINAISON	1	1	1	
7	90508-18M33	SPRING, TORSION RESSORT, TORSION	1	1	1	
8	90386-20M94	BUSH DOUILLE	1	1	1	
9	6G8-43616-00	ROD, TILT LOCK TIGE	1	1	1	
10	682-43641-00	LEVER, TILT LEVIER, INCLINAISON	1	1	1	
11	90249-06M20	PIN GOUPILLE	1	1	1	
12	93430-05027	CIRCLIP CIRCLIP, TYPE S	1	1	1	
13	6G8-43617-00	ROD, TILT LOCK TIGE	1	1	1	
14	682-43614-00	PLATE, TILT LOCK ETRIER, VERROUILLAGE MARCHE AR	1	1	1	
15	682-43615-01	PLATE, TILT LOCK ETRIER, VERROUILLAGE MARCHE AR	1	1	1	
16	682-43611-01	SHAFT, TILT LOCK AXE, VERROUILLAGE MARCHE AR	1	1	1	
17	90387-06M20	COLLAR COLLERETTE	1	1	1	
18	682-43659-00	SHAFT, REVERSE LOCK AXE, VERROUILLAGE MARCHE AR	1	1	1	
19	93430-05027	CIRCLIP CIRCLIP, TYPE S	2	2	2	
20	90506-26M01	SPRING, TENSION RESSORT, TENSION	2	2	2	UR
	90506-26M07	SPRING, TENSION RESSORT, TENSION	2	2	2	UR FOR DUAL THRUST PROP.
21	6G9-43681-00	LEVER, SHALLOW WATER DRIVE 1 LEVIER, PEU PROFOND D'EAU 1	1	1	1	
22	6G9-43643-00	SPRING RESSORT	1	1	1	
23	682-43318-01	COVER CAPUCHON	1	1	1	
24	97095-06008	BOLT BOULON	1	1	1	
25	92990-06600	WASHER, PLATE RONDELLE, PLATE	1	1	1	

D5



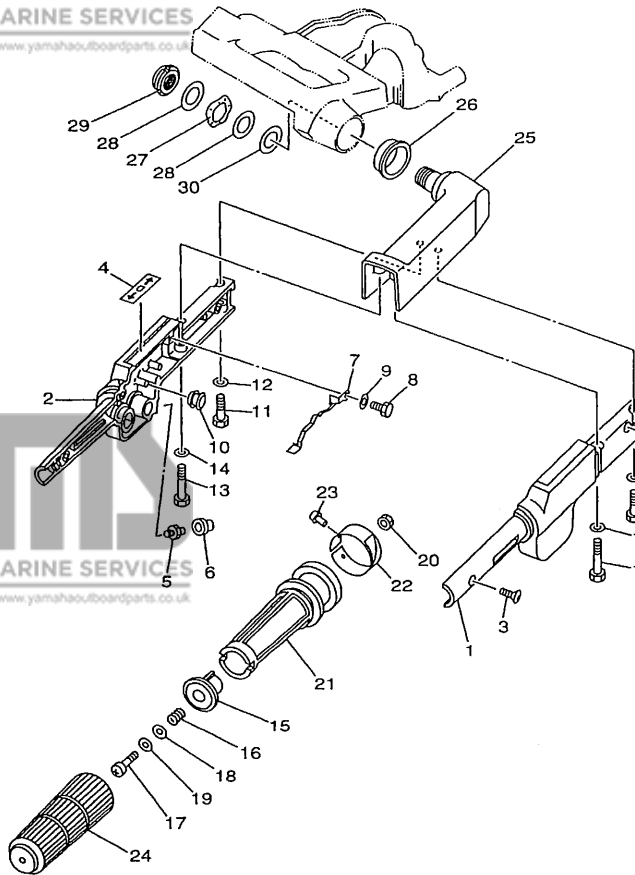
6G80100-9160

FIG. 16 STEERING

DIRECTION

REF. NO.	PART NO. NO. PIECES	DESCRIPTION DESCRIPTION	MH	EH	U	REMARKS REMARQUES
1	6G8-42111-01-4D	HANDLE, STEERING POIGNEE	1	1		
2	6G8-42112-02-4D	HANDLE, STEERING POIGNEE	1	1		
3	98780-05016	SCREW, FLAT HEAD VIS, TETE PLATE	2	2		
4	6G8-44191-00	INDICATOR, SHIFT ETIQUETTE, EMBRAYAGE	1	1		
5	93700-06M03	NIPPLE, GREASE GRAISSEUR	1	1		
6	663-45119-00	CAP, GREASE NIPPLE CAPUCHON, GRAISSEUR	1	1		AP
7	6G8-42147-01	SPRING RESSORT	1	1		
8	97095-05012	BOLT BOULON	1	1		
9	92995-05600	WASHER RONDELLE	1	1		
10	6H4-42725-00	GROMMET PASSE-FIL	1	1		
11	97095-06025	BOLT BOULON	2	2		
12	92995-06600	WASHER RONDELLE	2	2		
13	97095-06040	BOLT BOULON	2	2		
14	92995-06600	WASHER RONDELLE	2	2		
15	6G8-42126-01-94	FRICION, STEERING HANDLE GRIP CUVETTE, POIGNEE DE DIRECTION	1	1		
16	90501-23M42	SPRING, COMPRESSION RESSORT, COMPRESSION	1	1		
17	97880-06030	SCREW, PAN HEAD VIS, TETE TRONCONIQUE	1	1		
18	90201-06049	WASHER, PLATE RONDELLE, PLATE	1	1		
19	90202-06007	WASHER, PLATE RONDELLE, PLATE	1	1		
20	95380-06700	NUT ECROU	1	1		
21	6G8-42119-00	GRIP, STEERING HANDLE POIGNEE, BARRE FRANCHE	1	1		
22	6G8-42137-01	INDICATOR, THROTTLE INDICATEUR, ACCELERATION	1	1		UR F9.9B
	6J6-42137-00	INDICATOR, THROTTLE INDICATEUR, ACCELERATION	1	1		UR F8B
23	90269-02M09	RIVET RIVET	1	1		
24	6G8-42177-00	RUBBER, HANDLE CAOUTCHOUC, POIGNEE	1	1		
25	6G8-42113-02-4D	HANDLE, STEERING 3 POIGNEE 3	1	1		
26	90386-33M56	BUSH DOUILLE	1	1		

D6



FWD
6G80100-9160

FIG. 16 STEERING

DIRECTION

REF. NO.	PART NO. NO. PIECES	DESCRIPTION	MH	EU	U	REMARKS REMARQUES
27	90206-20M14	WASHER, WAVE RONDELLE, ONDULEE	1	1		
28	90201-20M00	WASHER, PLATE RONDELLE, PLATE	2	2		
29	90185-20M03	NUT, SELF-LOCKING ECROU, AUTO-BLOCANT	1	1		
30	90202-20M33	WASHER, PLATE RONDELLE, PLATE	1	1		

D7

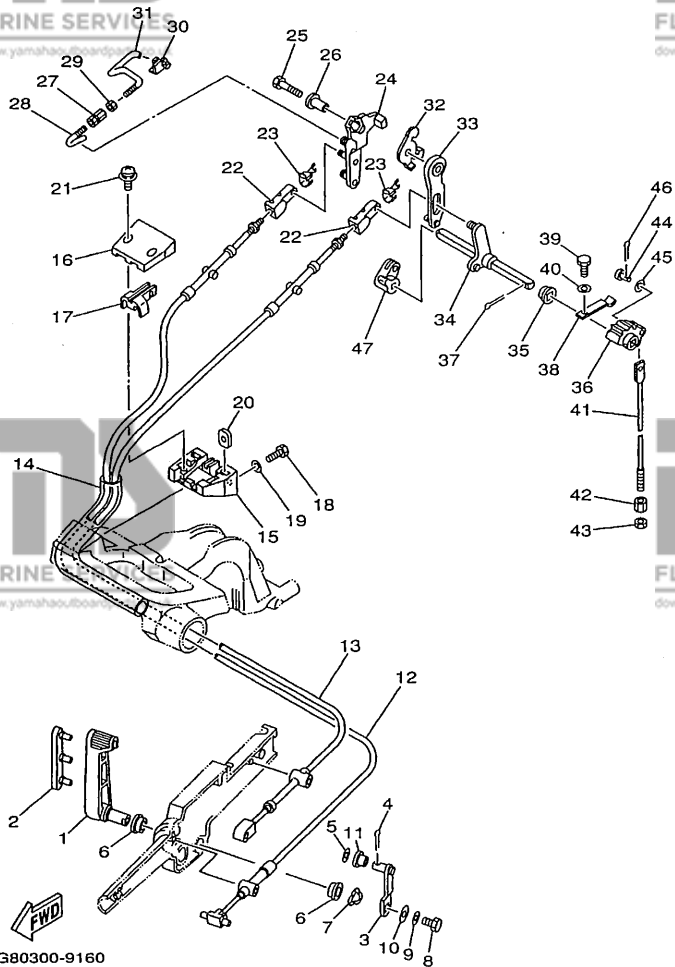


FIG. 17 CONTROL

COMMANDE

REF. NO.	PART NO. NO. PIECES	DESCRIPTION DESCRIPTION	MH	IE	u	REMARKS REMARQUES
1	6G8-44121-00-98	LEVER, SHIFT ROD LEVIER, TIGE D'INVERSION	1	1		
2	6G8-42129-00	BUSHING, RUBBER DOUILLE, CAOUTCHOUC	1	1		
3	6G8-44123-00	ARM, SHIFT ROD BRAS, TIGE D'INVERSION	1	1		
4	91490-16010	PIN, COTTER GOUPILLE, FENDUE	1	1		
5	92990-05200	WASHER, PLAIN RONDELLE, PLATE	1	1		
6	90386-12069	BUSH DOUILLE	2	2		
7	90206-12052	WASHER, WAVE RONDELLE, ONDULEE	1	1		
8	97013-06016	BOLT BOULON	1	1		
9	92903-06600	WASHER, PLATE RONDELLE, PLATE	1	1		
10	90201-06M94	WASHER, PLATE RONDELLE, PLATE	1	1		
11	90386-05M54	BUSH DOUILLE	1	1		
12	6G8-48311-02	CABLE CABLE	1	1		UR F9.9B
	6J6-48311-02	CABLE CABLE	1	1		UR F8B
13	6G8-48321-01	CABLE CABLE	1	1		
14	90445-24M00	HOSE DURITE	1	1		
15	6G8-41661-00-98	BRACKET SUPPORT	1	1		
16	6G8-41662-00-98	BRACKET SUPPORT	1	1		
17	6G8-41663-00	BRACKET 3 SUPPORT 3	1	1		
18	97095-06016	BOLT BOULON	2	2		
19	92995-06600	WASHER RONDELLE	2	2		
20	6G8-41654-00	NUT ECROU	2	2		
21	90159-05M06	SCREW, WITH WASHER VIS, AVEC RONDELLE	2	2		
22	6G8-26363-00	END, CABLE EMBOUT DE CABLE	2	2	2	
23	6G8-26364-00	END, CABLE 2 EMBOUT, DE CABLE	2	2	2	
24	6G8-41212-00	ARM, ACCEL. BRAS	1	1	1	
25	97013-06030	BOLT BOULON	1	1	1	
26	90387-06M58	COLLAR COLLERETTE	1	1	1	

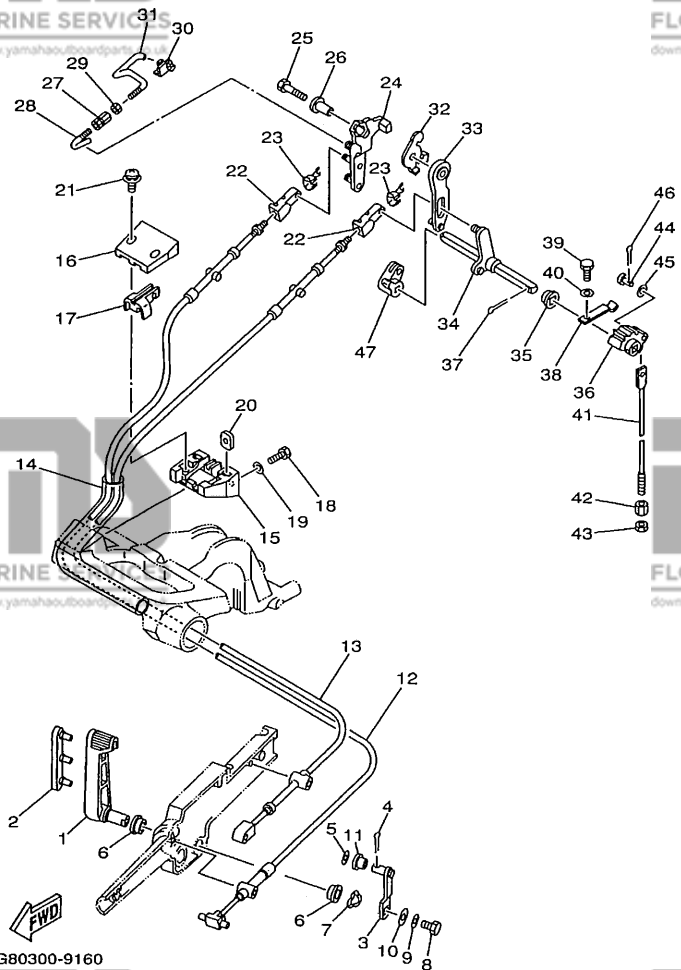
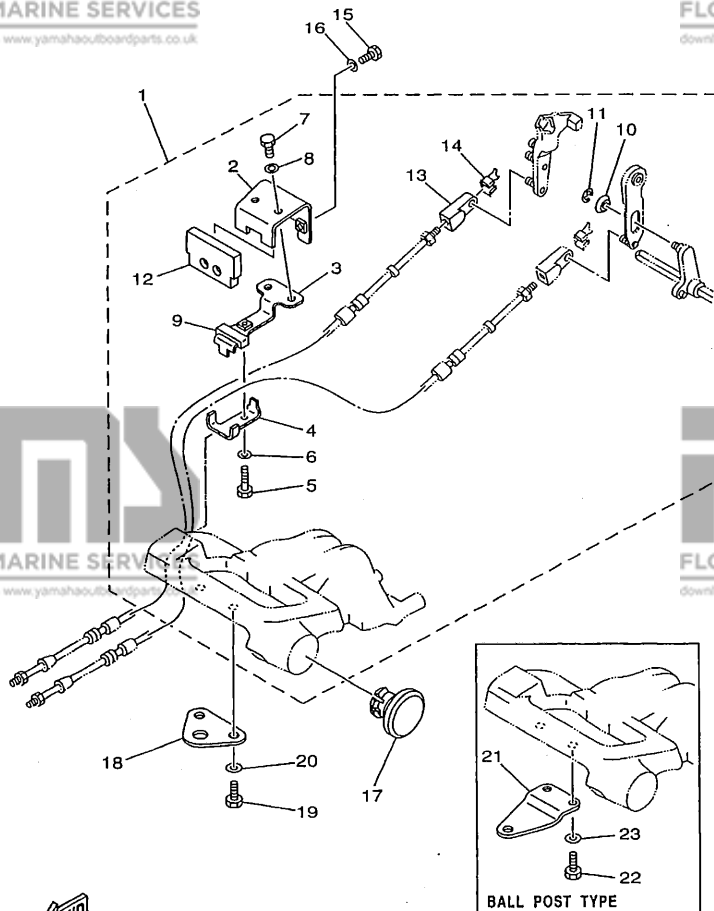


FIG. 17 CONTROL

COMMANDE

REF. NO.	PART NO. NO. PIECES	DESCRIPTION DESCRIPTION	M/H	EH	E	REMARKS REMARQUES
27	6G8-41238-01	JOINT, LINK RACCORD	1	1	1	
28	6G8-41241-01	ROD, LINK BIELLETTE	1	1	1	
29	95380-04600	NUT ECROU	1	1	1	
30	6G8-41237-01	JOINT, LINK RACCORD	1	1	1	
31	6G8-41242-01	ROD 2 TIGE 2	1	1	1	
32	6G8-14493-00	STAY 1 SUPPORT 1	1	1	1	UR F9.9B
	6J6-14493-00	STAY 1 SUPPORT 1	1	1	1	UR F8B
33	6G8-44111-00	HANDLE, GEAR SHIFT POIGNEE, LEVIER D'EMBRAYAGE	1	1	1	
34	6G8-44159-00	HANDLE, GEAR SHIFT POIGNEE, LEVIER D'EMBRAYAGE	1	1	1	
35	682-44132-00	BUSHING COUSSINET	1	1	1	
36	682-44121-01	LEVER, SHIFT ROD LEVIER, TIGE D'INVERSION	1	1	1	
37	91490-25020	PIN, COTTER GOUPILLE, FENDUE	1	1	1	
38	682-44116-01	SPRING RESSORT	1	1	1	
39	97095-06014	BOLT BOULON	1	1	1	
40	92995-06600	WASHER RONDELLE	1	1	1	
41	6G9-44143-00	ROD, SHIFT TIGE D'EMBRAYAGE	1	1	1	UR S
	6G8-44143-10	ROD, SHIFT TIGE D'EMBRAYAGE	1	1	1	UR L/X
42	90170-06015	NUT ECROU	1	1	1	
43	95380-06700	NUT ECROU	1	1	1	
44	91790-05020	PIN, CLEVIS BOULON, A GOUPILLE	1	1	1	
45	92990-05600	WASHER, PLATE RONDELLE, PLATE	1	1	1	
46	91490-16010	PIN, COTTER GOUPILLE, FENDUE	1	1	1	
47	6G8-44125-00	LEVER, SHIFT ROD LEVIER, TIGE D'INVERSION	1	1	1	

FIG. 18 REMOTE CONTROL ATTACHMENT COMMANDE A DISTANCE



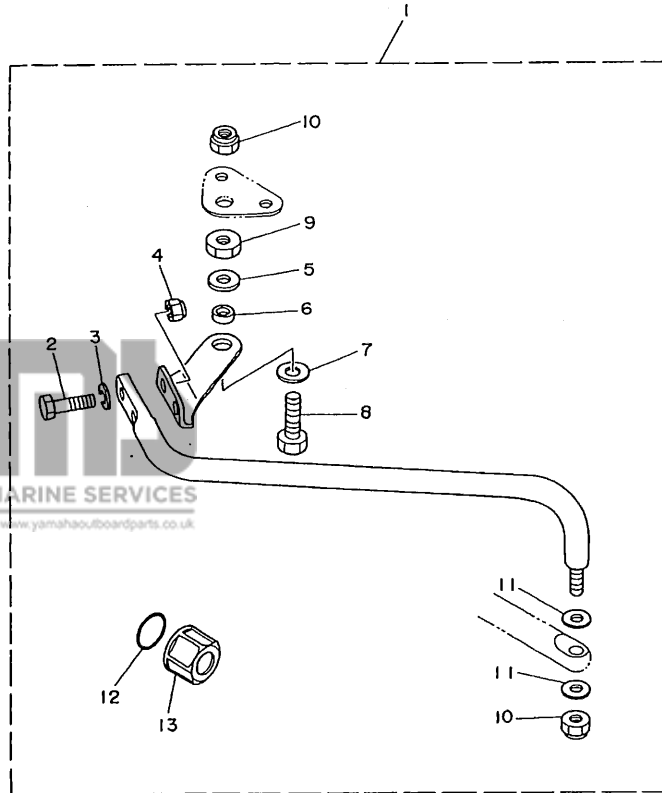
REF. NO.	PART NO. NO. PIECES	DESCRIPTION DESCRIPTION	MH	EH	u	REMARKS REMARQUES
1	6G8-48501-03	REMOTE CONT. ATTACHMENT ASSY. COMMANDE A DISTANCE (KIT)			1	AP
2	6G8-48531-51	.BRACKET, REMOTE CONTROL 1 .ETRIER 1, COMMANDE A DISTANCE			1	
3	6G8-48532-50	.BRACKET, REMOTE CONTROL 2 .ETRIER 2, COMMANDE A DISTANCE			1	
4	6G8-48538-50	.CLAMP, CABLE 1 .COLLIER			1	
5	97095-06030	.BOLT .BOULON			1	
6	92995-06600	.WASHER .RONDELLE			1	
7	97095-06012	.BOLT .BOULON			2	
8	92995-06600	.WASHER .RONDELLE			2	
9	6G8-48565-50	.GROMMET .PASSE-FIL			1	
10	90387-06M73	.COLLAR .COLLERETTE			1	
11	93430-04M03	.CIRCLIP .CIRCLIP, TYPE S			1	
12	6G8-48351-51	.SEAL, RUBBER .PASSE-FIL			1	
13	6G8-26363-00	.END, CABLE .EMBOUT DE CABLE			1	
14	6G8-26364-00	.END, CABLE 2 .EMBOUT, DE CABLE			1	
15	97095-06016	BOLT BOULON			2	
16	92995-06600	WASHER RONDELLE			2	
17	6G8-42551-00	GROMMET PASSE-FIL			1	
18	6G8-48511-20	HOOK, STEERING ATTACHE, DIRECTION			1	UR STEERING GUIDE TYPE
19	97095-06016	BOLT BOULON			2	
20	92995-06600	WASHER RONDELLE			2	
21	6G8-48511-10	HOOK, STEERING ATTACHE, DIRECTION			1	AP BALL POST TYPE
22	97095-06016	BOLT BOULON			2	
23	92995-06600	WASHER RONDELLE			2	

6G90100-9190

FIG. 19 STEERING GUIDE

FIXATION DE DIRECTION

REF. NO.	PART NO. NO. PIECES	DESCRIPTION DESCRIPTION	MH	EH	U	REMARKS REMARQUES
1	6G8-61350-00	STEERING GUIDE ATTACHMENT KIT FIXATIONS DE DIRECTION			1	
2	97075-08025	.BOLT .BOULON			2	
3	92995-08600	.WASHER .RONDELLE			2	
4	90185-08057	.NUT, SELF-LOCKING .ECROU, AUTO-BLOCANT			2	
5	90201-10M04	.WASHER, PLATE .RONDELLE, PLATE			1	
6	90387-10M06	.COLLAR .COLLERETTE			1	
7	90201-10M63	.WASHER, PLATE .RONDELLE, PLATE			1	
8	6E5-61355-00	.BOLT .BOULON			1	
9	90170-09M03	.NUT .ECROU			1	
10	90185-09M01	.NUT, SELF-LOCKING .ECROU, AUTO-BLOCANT			2	
11	90201-10M20	.WASHER, PLATE .RONDELLE, PLATE			2	
12	93210-16275	.O-RING JOINT TORIQUE			1	
13	6E5-43145-01	.CAP. CLAMP BRACKET .CAPUCHON, PRESSE			1	



6G90100-9200

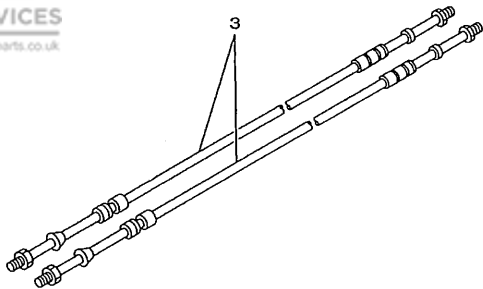
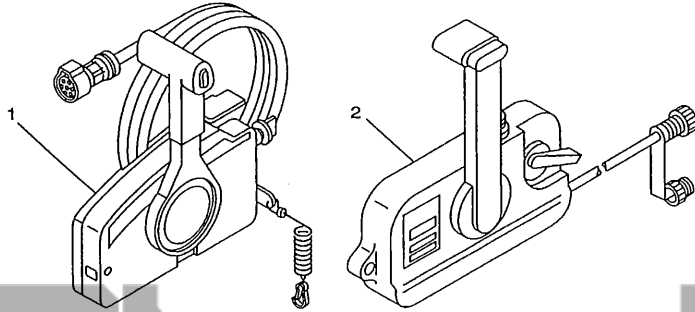
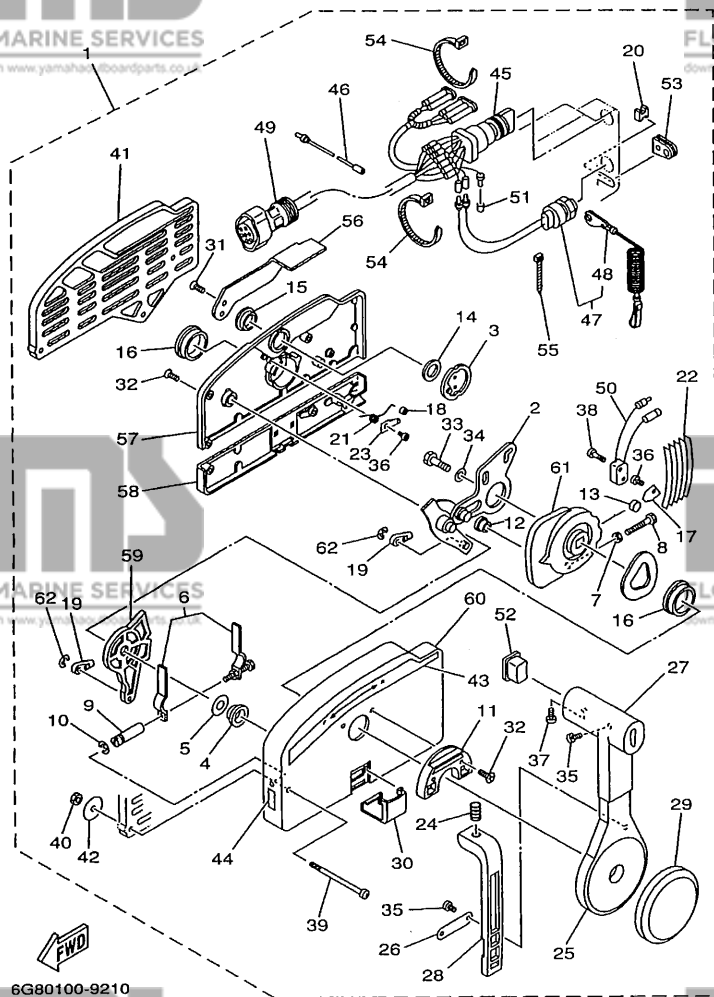


FIG. 20 REMOTE CONTROL BOX BOITIER DE COMMANDE A DISTANCE

REF. NO.	PART NO. NO. PIECES	DESCRIPTION DESCRIPTION	MH	EH	U	REMARKS REMARQUES
1	703-48240-12	REMOTE CONTROL ASSY (7P) BOITIER DE COMMANDE A DISTANCE			1	AP
2	701-48101-51	REMOTE CONTROL ASSY BOITIER DE COMMANDE A DISTANCE			1	
3	701-48310-40	CABLE, REMOTE CONTROL L=8F CABLE, COMMANDE A DISTANCE :8F			2	UR
	701-48310-60	CABLE, REMOTE CONTROL L=9F CABLE, COMMANDE A DISTANCE :9F			2	UR
	701-48310-80	CABLE, REMOTE CONTROL L=10F CABLE, COMMANDE A DISTANCE :10F			2	UR
	701-48310-90	CABLE, REMOTE CONTROL L=11F CABLE, COMMANDE A DISTANCE :11F			2	UR
	701-48320-00	CABLE, REMOTE CONTROL L=12F CABLE, COMMANDE A DISTANCE :12F			2	UR
	701-48320-20	CABLE, REMOTE CONTROL L=13F CABLE, COMMANDE A DISTANCE			2	UR
	701-48320-30	CABLE, REMOTE CONTROL L=14F CABLE, COMMANDE A DISTANCE :14F			2	UR
	701-48320-50	CABLE, REMOTE CONTROL L=15F CABLE, COMMANDE A DISTANCE :15F			2	UR



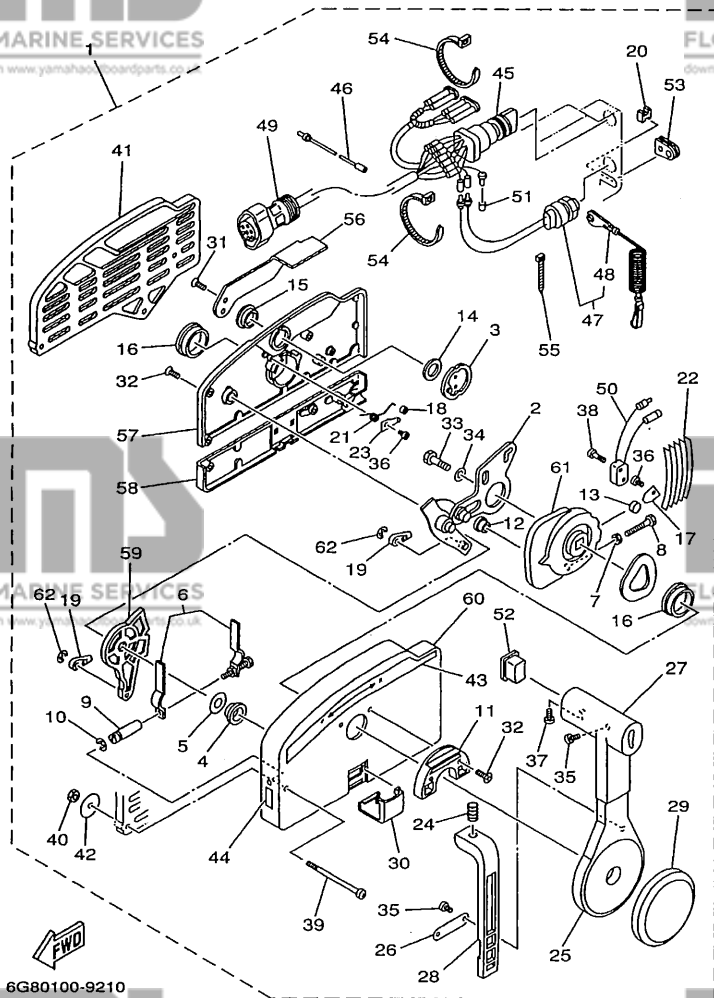
OMACC-9020



6G80100-9210

FIG. 21 REMOTE CONTROL ASSY 1 BOITIER DE COMMANDE A DISTANCE 1

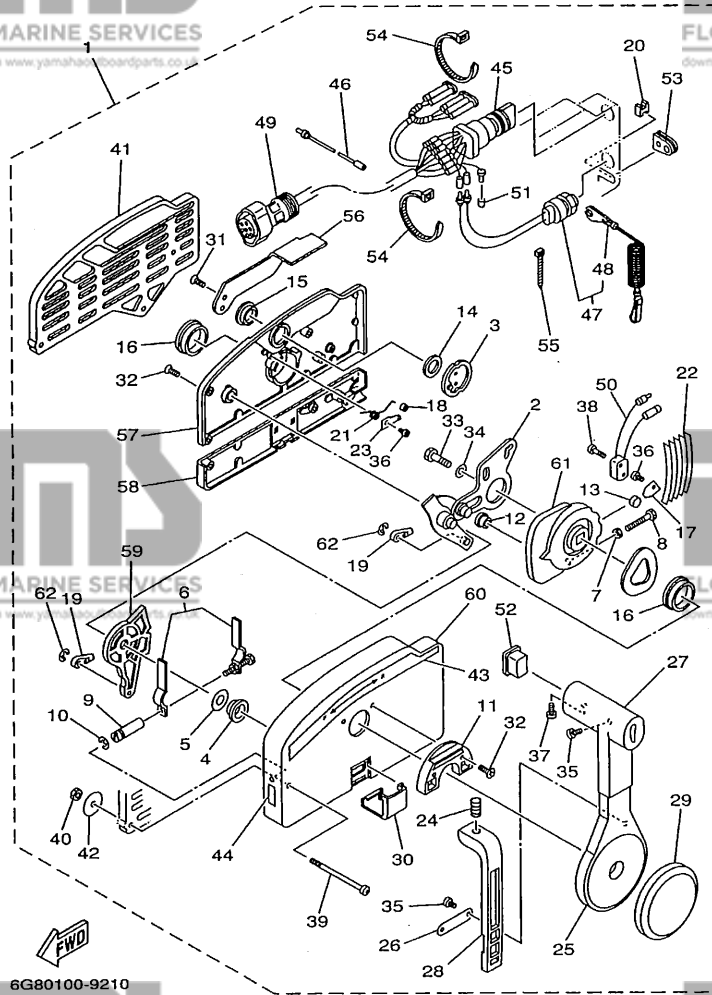
REF. NO.	PART NO. NO. PIECES	DESCRIPTION DESCRIPTION	M	H	U	W	REMARKS REMARQUES
1	703-48240-12	REMOTE CONTROL ASSY (7P) BOITIER DE COMMANDE A DISTANCE				1	
2	703-48261-11	.ARM, THROTTLE .BRAS, ACCELERATION				1	
3	703-48153-00	.SHAFT, FREE ACCEL. .AXE				1	
4	703-48235-00	.BUSHING .COUSSINET				1	
5	703-48268-00	.SPACER .ENTRETOISE				1	
6	703-48264-00	.THROTTLE, FRICTION .ACCELERATION				1	
7	95380-05600	.NUT .ECROU				1	
8	97380-05025	.BOLT .BOULON				1	
9	703-48265-00	.SHAFT, FRICTION .AXE, COPILOTE				1	
10	93430-06024	.CIRCLIP .CIRCLIP, TYPE S				3	
11	703-48245-00	.PLATE, LOCK .PLAQUE, VERROU				1	
12	703-48252-00	.ROLLER, CAM .POULIE				1	
13	701-48248-00	.ROLLER, FREE ACCEL. .POULIE				1	
14	703-48198-00	.WASHER, WAVE .RONDELLE, ELASTIQUE ONDULEE				1	
15	703-48243-00	.BUSHING .COUSSINET				1	
16	703-48236-00	.BUSHING 1 .POULIE				2	
17	703-48189-00	.RETAINER .FLASQUE				1	
18	703-48234-00	.ROLLER, DETENT .POULIE				1	
19	703-48345-01	.CABLE END, REMOTE CONTROL 2 .CHAPE CABLE				2	
20	703-48358-00	.ANCHOR, CABLE .COLLIER				1	
21	703-48244-00	.SPRING, FREE ACCEL. .RESSORT				1	
22	703-48238-00	.SPRING, DETENT .RESSORT				5	
23	703-48246-00	.SPACER .ENTRETOISE				1	
24	703-48227-00	.SPRING, NEUTRAL LOCK .RESSORT				1	
25	703-48221-00	.LEVER, CONTROL .LEVIER, COMMANDE				1	
26	703-48226-00	.PLATE, STOPPER .PLAQUETTE				1	
27	703-48222-00	.GRIP, CONTROL LEVER .POIGNEE, COMMANDE LEVIER				1	SINGLE



6G80100-9210

FIG. 21 REMOTE CONTROL ASSY 1 BOITIER DE COMMANDE A DISTANCE 1

REF. NO.	PART NO. NO. PIECES	DESCRIPTION DESCRIPTION	MH	EH	U	REMARKS REMARQUES
28	703-48223-00	.LOCK, NEUTRAL .VERROU, NEUTRAL			1	
29	703-48225-00	.COVER .COUVERCLE			1	
30	703-48219-00	.COVER, LEAD .COUVERCLE			1	
31	703-48281-00	.SCREW .VIS			2	
32	703-48282-00	.SCREW .VIS			7	
33	97395-08030	.BOLT .BOULON			1	
34	92990-08600	.WASHER, PLATE .RONDELLE, PLATE			1	
35	98580-04010	.SCREW, PAN HEAD .VIS, TETE TRONCONIQUE			3	SINGLE
36	98580-04006	.SCREW, PAN HEAD .VIS, TETE TRONCONIQUE			2	
37	98580-05010	.SCREW, PAN HEAD .VIS, TETE TRONCONIQUE			1	
38	98580-03015	.SCREW, PAN HEAD .VIS, TETE TRONCONIQUE			2	
39	703-48291-10	.SCREW (M6) .VIS (M6)			3	
40	95380-06600	.NUT .ECROU			3	
41	703-48293-10	.SPACER, REMOTE CONTROL .ENTRETOISE			1	SINGLE
42	701-48287-00	.WASHER .RONDELLE			3	
43	703-48215-00	.GRAPHIC .ADHESIF			1	
44	702-48217-00	.MARK .ETIQUETTE			1	
45	703-82510-20	.MAIN SWITCH ASSY .CONTACTEUR A CLEF COMPLET			1	
46	703-82531-00	.WIRE, LEAD .FIL			1	
47	688-82575-01	.ENGINE STOP SWITCH ASSY .COUPE CIRCUIT CPLT			1	
48	682-82556-00	.STOPPER .PLAQUETTE			1	
49	688-82586-21	.EXTENSION, WIRE HARNESS .EXTENSION, FAISCEAU DE FILS			1	L:5M (7P)
50	703-82540-00	.NEUTRAL SWITCH ASSY .CONTACTEUR DE POINT-MORT			1	
51	703-82542-00	.CAP .COUVERCLE			1	
52	703-48224-00	.COVER, CONTROL LEVER .COUVERCLE			1	WITHOUT PT/T SW.
53	703-48284-00	.GROMMET .PASSE-FIL			1	
54	703-82591-00	.BAND .COLLIER			2	



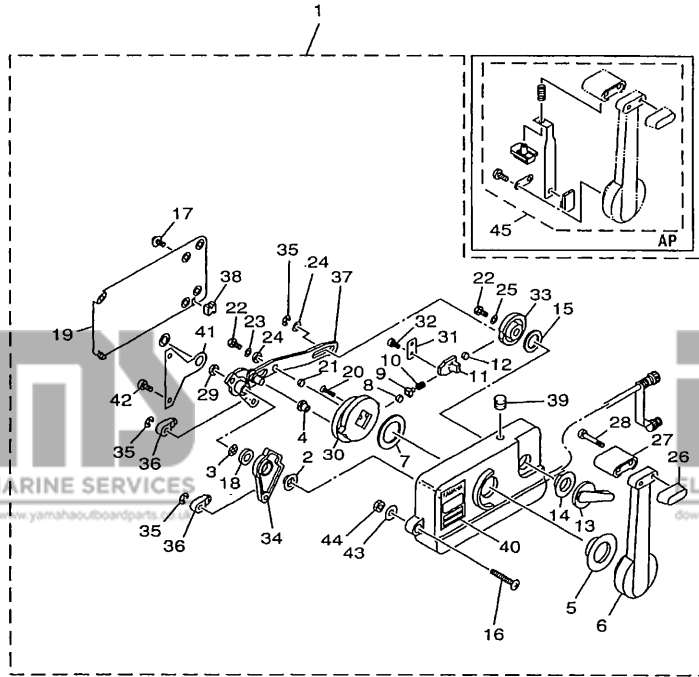
6G80100-9210

FIG. 21 REMOTE CONTROL ASSY 1 BOITIER DE COMMANDE A DISTANCE 1

REF. NO.	PART NO. NO. PIECES	DESCRIPTION DESCRIPTION	MH	EH	U	REMARKS REMARQUES
55	703-82592-00	.BAND .COLLIER			1	
56	703-48152-00	.KNOB, FREE ACCEL. .BOUTON			1	
57	703-48212-00	.BACK PLATE 1 .PLAQUETTE 1			1	
58	703-48213-00	.BACK PLATE 2 .PLAQUETTE 2			1	
59	703-48271-00	.ARM, SHIFT .BRAS			1	
60	703-48211-01	.HOUSING,1 .CORPS			1	
61	703-48232-00	.GEAR .PIGNON			1	
62	93430-06024	.CIRCLIP .CIRCLIP, TYPE S			2	

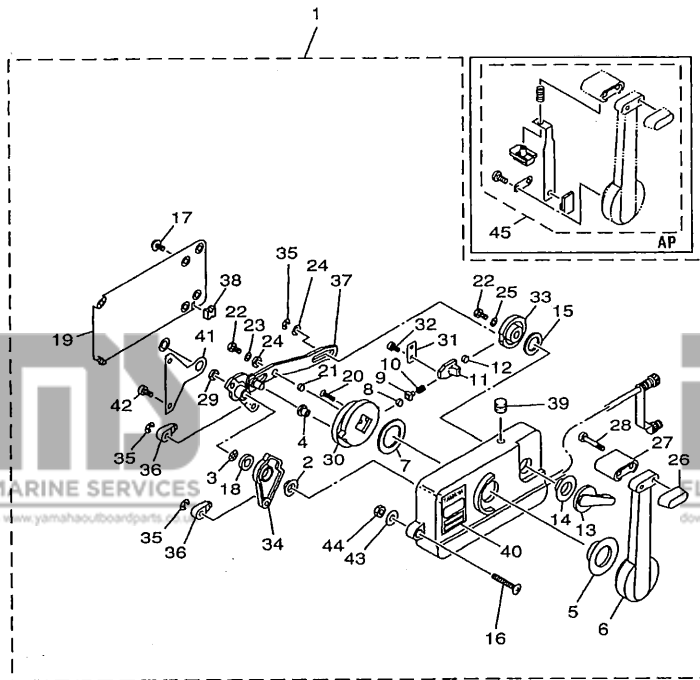
FIG. 22 REMOTE CONTROL ASSY 2 BOITIER DE COMMANDE A DISTANCE 2

REF. NO.	PART NO. NO. PIECES	DESCRIPTION DESCRIPTION	MH	EH	W	REMARKS REMARQUES
1	701-48101-51	REMOTE CONTROL ASSY BOITIER DE COMMANDE A DISTANCE			1	
2	701-48235-00	.BUSHING .COUSSINET			1	
3	701-48197-10	.WASHER, WAVE .RONDELLE, ELASTIQUE ONDULEE			1	
4	701-48252-00	.ROLLER, CAM .POULIE			1	
5	701-48234-00	.BUSHING 1 .POULIE			1	
6	701-48221-00	.LEVER, CONTROL .LEVIER, COMMANDE			1	
7	701-48196-11	.WASHER, WAVE .RONDELLE, ELASTIQUE ONDULEE			1	
8	701-48236-00	.ROLLER, DETENT .POULIE			1	
9	702-48237-00	.ADAPTOR .ADAPTEUR			1	
10	702-48238-00	.SPRING, DETENT .RESSORT			1	
11	701-48249-00	.ADAPTOR, SPRING .ADAPTEUR			1	
12	701-48248-00	.ROLLER, FREE ACCEL. .POULIE			1	
13	701-48152-11	.KNOB, FREE ACCEL. .BOUTON			1	SINGLE
14	701-48243-00	.BUSHING .COUSSINET			1	
15	701-48198-10	.WASHER, WAVE .RONDELLE, ELASTIQUE ONDULEE			1	
16	701-48281-10	.SCREW .VIS			3	
17	98580-05010	.SCREW, PAN HEAD .VIS, TETE TRONCONIQUE			4	
18	701-48268-00	.SPACER .ENTRETOISE			1	
19	701-48213-00	.BACK PLATE 2 .PLAQUETTE 2			1	
20	98780-06025	.SCREW, FLAT HEAD .VIS, TETE PLATE			2	
21	701-48255-00	.COLLAR .ENTRETOISE			1	
22	97080-06018	.BOLT .BOULON			2	
23	702-48288-00	.WASHER, PLAIN .RONDELLE, PLATE			1	
24	701-48246-00	.SPACER .ENTRETOISE			2	
25	92990-06300	.WASHER, INTERNAL TOOTH .RONDELLE, DENTURE INTERNE			1	
26	701-48229-00	.GRIP, CONTROL LEVER .POIGNEE, COMMANDE LEVIER			1	
27	701-48222-00	.GRIP, CONTROL LEVER .POIGNEE, COMMANDE LEVIER			1	



6G80100-9220

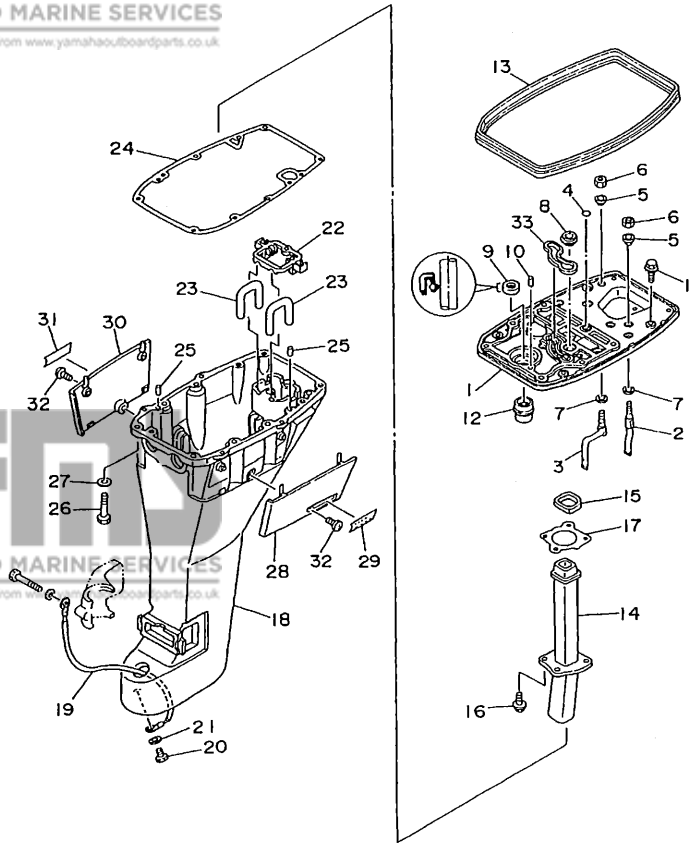
FIG. 22 REMOTE CONTROL ASSY 2 BOITIER DE COMMANDE A DISTANCE 2



REF. NO.	PART NO. NO. PIECES	DESCRIPTION DESCRIPTION	MH	ET	U	REMARKS REMARQUES
28	98580-05555	.SCREW, PAN HEAD .VIS, TETE TRONCONIQUE			2	
29	701-48266-00	.SPACER .ENTRETOISE			1	
30	701-48232-00	.GEAR .PIGNON			1	
31	701-48189-11	.RETAINER .FLASQUE			1	
32	98580-05010	.SCREW, PAN HEAD .VIS, TETE TRONCONIQUE			2	
33	701-48153-12	.SHAFT, FREE ACCEL. .AXE			1	
34	701-48271-00	.ARM, SHIFT .BRAS			1	SINGLE
35	93430-06024	.CIRCLIP .CIRCLIP, TYPE S			3	
36	703-48345-01	.CABLE END,REMOTE CONTROL 2 .CHAPE CABLE			2	
37	701-48261-00	.ARM, THROTTLE .BRAS, ACCELERATION			1	SINGLE
38	701-48358-00	.ANCHOR, CABLE .COLLIER			1	
39	701-48138-50	.CAP, LOCK ARM .AMORTISSEUR			1	
40	701-48126-00	.GRAPHIC .ADHESIF			1	
41	701-48133-00	.PLATE, LINK .PLAQUE, BIELLETTE			1	
42	98580-05020	.SCREW, PAN HEAD .VIS, TETE TRONCONIQUE			2	
43	701-48287-00	.WASHER .RONDELLE			3	
44	95380-06600	.NUT .ECROU			3	
45	701-48280-00	NEUTRAL LOCK KIT KIT DE VERROU NEUTRAL			1	AP



6G80100-9220



6G90010-5230

FIG. 23 UPPER CASING

FOURREAU

REF. NO.	PART NO. NO. PIECES	DESCRIPTION DESCRIPTION	MH	EH	U	REMARKS REMARQUES
1	6G8-41137-04-94	GUIDE, EXHAUST COLLECTEUR D'ÉCHAPPEMENT	1	1	1	
2	6G8-12483-00	PIPE 3 DURITE 3	1	1	1	
3	6G8-12484-00	PIPE 4 DURITE 4	1	1	1	
4	93210-08M60	O-RING JOINT TORIQUE	1	1	1	
5	90386-10M70	BUSH DOUILLE	2	2	2	
6	95380-10700	NUT ECROU	2	2	2	
7	90202-10M03	WASHER, PLATE RONDELLE, PLATE	2	2	2	
8	6G8-44367-00	DAMPER, WATER SEAL JOINT TUBE D'EAU	1	1	1	
9	93101-13M27	OIL SEAL JOINT SPY	1	1	1	
10	93606-12019	PIN, DOWEL GOUJON	2	2	2	
11	97513-06520	BOLT, WITH WASHER VIS HEXAGONAL AVC RONDELLE	2	2	2	
12	6G8-45135-00	PIPE TUYAU	1	1	1	
13	6G8-42716-00	RUBBER, SEAL 1 JOINT EN CAOUTCHOUC 1	1	1	1	
14	6G8-41131-01	MANIFOLD, EXT. 1 PIPE D'ÉCHAPPEMENT	1	1	1	
15	6G8-41138-00	SEAL, EXT. 1 JOINT DE GROUPE 1	1	1	1	
16	90105-06M33	BOLT, WASHER BASED BOULON, AVEC RONDELLE	4	4	4	
17	6G8-41133-A0	GASKET, EXHAUST MANIFOLD 1 JOINT, PIPE D'ÉCHAPPEMENT	1	1	1	
18	6G9-45111-03-4D	CASING, UPPER FOURREAU	1	1	1	UR S
	6G8-45111-13-4D	CASING, UPPER FOURREAU	1	1	1	UR L
19	6G8-82149-00	WIRE, LEAD 3 FIL 3	1	1	1	
20	97095-06012	BOLT BOULON	1	1	1	
21	92995-06600	WASHER RONDELLE	1	1	1	
22	6G8-45151-10	COVER, UPPER CASING CAPUCHON, FOURREAU	1	1	1	
23	6G8-45136-00	PIPE DURITE	2	2	2	
24	6G8-45113-A1	GASKET, UPPER CASING JOINT, TUBE D'ARBRE	1	1	1	
25	93606-12019	PIN, DOWEL GOUJON	2	2	2	
26	97095-08040	BOLT BOULON.	6	6	6	

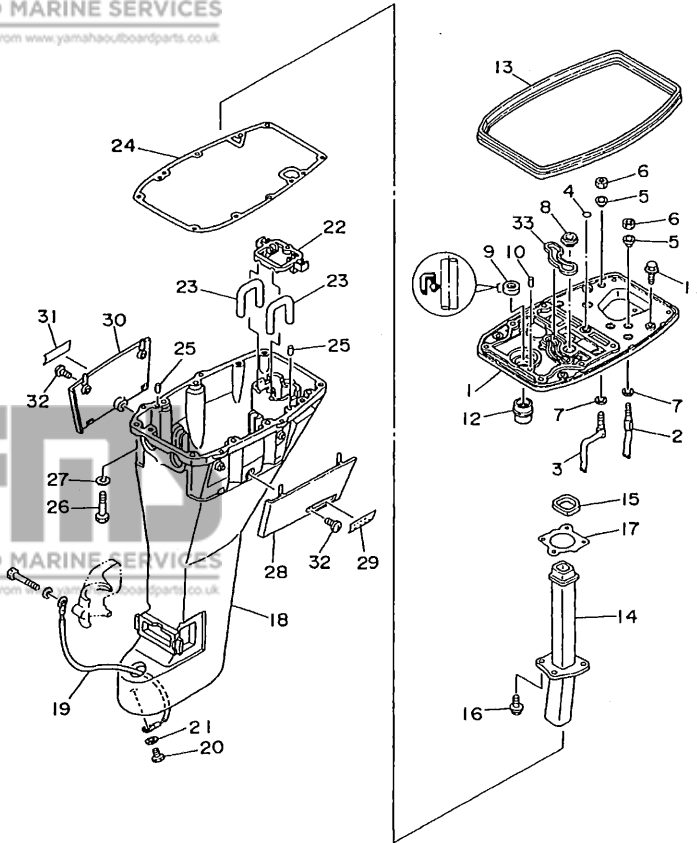


FIG. 23 UPPER CASING

FOURREAU

REF. NO.	PART NO. NO. PIECES	DESCRIPTION DESCRIPTION	MH	EH	U	REMARKS REMARQUES
27	92995-08600	WASHER RONDELLE	6	6	6	
28	6G8-42741-00-4D	APRON CAPOT LATERAL	1	1	1	
29	6G8-42791-00	MARK 1 ETIQUETTE 1	1	1	1	
30	6G8-42771-00-4D	APRON CAPOT LATERAL	1	1	1	
31	6G8-42792-00	MARK 1 ETIQUETTE	1	1	1	
32	90157-06M04	SCREW, PAN HEAD VIS, TETE TRONCONIQUE	2	2	2	
33	6G8-11355-00	SEAL, CYLINDER 1 JOINT, SPY CYLINDRE	1	1	1	



6G90010-5230

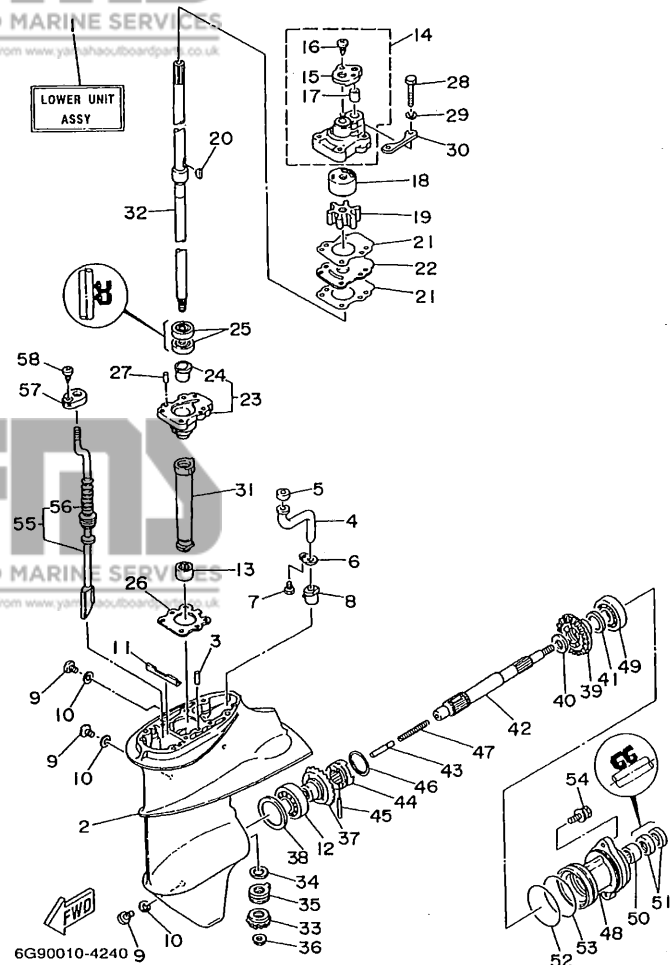


FIG. 24 LOWER CASING, DRIVE 1 BOITIER D'HELICE, TRANSMISSION 1

REF. NO.	PART NO. NO. PIECES	DESCRIPTION	MH	EH	W	REMARKS REMARQUES
1	6G9-45300-06-4D	LOWER UNIT ASSY UNITE INFERIEURE (ENS.) (REF.NO. 2-58)	1	1	1	UR S
	6G9-45300-16-4D	LOWER UNIT ASSY UNITE INFERIEURE (ENS.) (REF.NO. 2-58)	1	1	1	UR L
2	6E8-45311-00-4D	CASING, LOWER BOITIER D'HELICE	1	1	1	
3	93604-08062	PIN, DOWEL GOUJON	1	1	1	
4	683-44362-01	TUBE, WATER TUBE D'EAU	1	1	1	
5	683-44365-01	DAMPER, WATER SEAL JOINT, TUBE D'EAU	1	1	1	
6	683-44373-00	SET PLATE, WATER TUBE BRIDE, TUBE D'EAU	1	1	1	
7	97095-06010	BOLT BOULON	1	1	1	
8	6E7-44366-00	DAMPER, WATER SEAL JOINT, TUBE D'EAU	1	1	1	
9	90340-08M04	PLUG, STRAIGHT SCREW PLOT, FILETE DROIT	3	3	3	
10	90430-08020	GASKET JOINT	3	3	3	
11	682-45376-01	GUIDE, SEAL DAMPER BUTEE, JOINT CAOUTCHOUC	1	1	1	
12	93332-00005	BEARING ROULEMENT	1	1	1	
13	93315-314V8	BEARING ROULEMENT	1	1	1	
14	682-44300-01	HOUSING WATER PUMP ASSY CORPS POMPE A EAU (ENS)	1	1	1	
15	682-44312-00	COVER, WATER PUMP HOUSING COUVERCLE	1	1	1	
16	97780-40112	SCREW, TAPPING VIS, TETE FRAISEE	2	2	2	
17	682-44365-00	DAMPER, WATER SEAL JOINT, TUBE D'EAU	1	1	1	
18	682-44322-00	INSERT, CARTRIDGE CUVETTE	1	1	1	
19	682-44352-01	IMPELLER TURBINE	1	1	1	
20	90280-03024	KEY, WOODRUFF CLAVETTE, DEMI-LUNE	1	1	1	
21	682-44315-A0	GASKET, WATER PUMP JOINT, POMPE A EAU	2	2	2	
22	682-44323-00	OUTER PLATE, CARTRIDGE PLAQUE EXTERIEURE	1	1	1	
23	6E7-45331-00-5B	HOUSING, BEARING FLASQUE, ROULEMENT	1	1	1	
24	626-45316-09	BUSHING, DRIVE SHAFT DOUILLE, ARBRE MOTEUR	1	1	1	

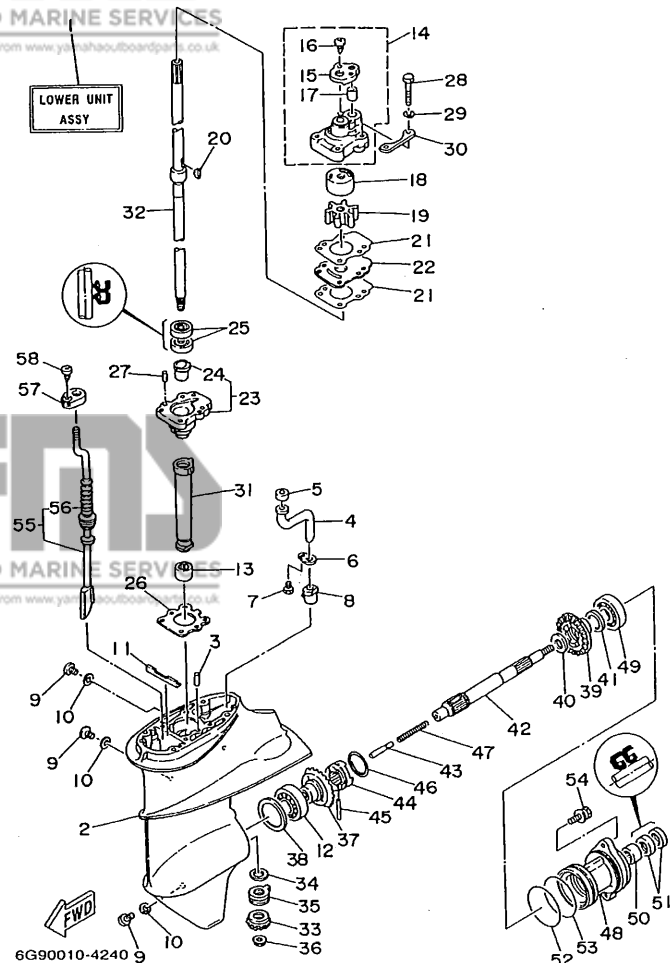


FIG. 24 LOWER CASING. DRIVE 1

BOITIER D'HELICE, TRANSMISSION 1

REF. NO.	PART NO. NO. PIECES	DESCRIPTION DESCRIPTION	MH	EH	u	REMARKS REMARQUES
25	93101-20048	OIL SEAL	2	2	2	
		JOINT SPY				
26	683-45315-A0	PACKING, LOWER CASING	1	1	1	
		JOINT, BOITIER D'HELICE				
27	93606-12019	PIN, DOWEL	2	2	2	
		GOUJON				
28	97095-06045	BOLT	4	4	4	
		BOULON				
29	92995-06600	WASHER	4	4	4	
		RONDELLE				
30	682-44328-00	PLATE	2	2	2	
		PLAQUETTE				
31	6E7-45536-00	SLEEVE, DRIVE SHAFT	1	1	1	
		MANCHON, ARBRE MOTEUR				
32	6G9-45501-01	DRIVE SHAFT COMP.	1	1	1	UR S
		ARBRE MOTEUR COMP.				
	6G9-45501-11	DRIVE SHAFT COMP.	1	1	1	UR L
		ARBRE MOTEUR COMP.				
33	6E7-45551-00	PINION	1	1	1	
		PIGNON D'ATTAQUE				
34	6E8-45587-00-13	SHIM (T:1.13MM)	1	1	1	UR
		CALE (T:1.13MM)				
	6E8-45587-00-20	SHIM (T:1.20MM)	1	1	1	UR
		CALE (T:1.20MM)				
35	93341-414V1	BEARING	1	1	1	
		ROULEMENT				
36	90179-08M06	NUT	1	1	1	
		ECROU				
37	6E7-45560-01	GEAR	1	1	1	
		PIGNON				
38	664-45567-01-10	SHIM (T:0.10MM)	1	1	1	UR
		CALE (T:0.10MM)				
	664-45567-01-12	SHIM (T:0.12MM)	1	1	1	UR
		CALE (T:0.12MM)				
	664-45567-01-15	SHIM (T:0.15MM)	1	1	1	UR
		CALE (T:0.15MM)				
	664-45567-01-18	SHIM (T:0.18MM)	1	1	1	UR
		CALE (T:0.18MM)				
	664-45567-01-30	SHIM (T:0.30MM)	1	1	1	UR
		CALE (T:0.30MM)				
	664-45567-01-40	SHIM (T:0.40MM)	1	1	1	UR
		CALE (T:0.40MM)				
	664-45567-01-50	SHIM (T:0.50MM)	1	1	1	UR
		CALE (T:0.50MM)				
39	6E7-45571-00	GEAR	1	1	1	
		PIGNON				
40	90201-17682	WASHER, PLATE	1	1	1	
		RONDELLE, PLATE				
41	626-45577-00-01	SHIM (T:0.10MM)	1	1	1	UR
		CALE (T:0.10MM)				
	626-45577-00-03	SHIM (T:0.30MM)	1	1	1	UR
		CALE (T:0.30MM)				
	626-45577-00-05	SHIM (T:0.50MM)	1	1	1	UR
		CALE (T:0.50MM)				

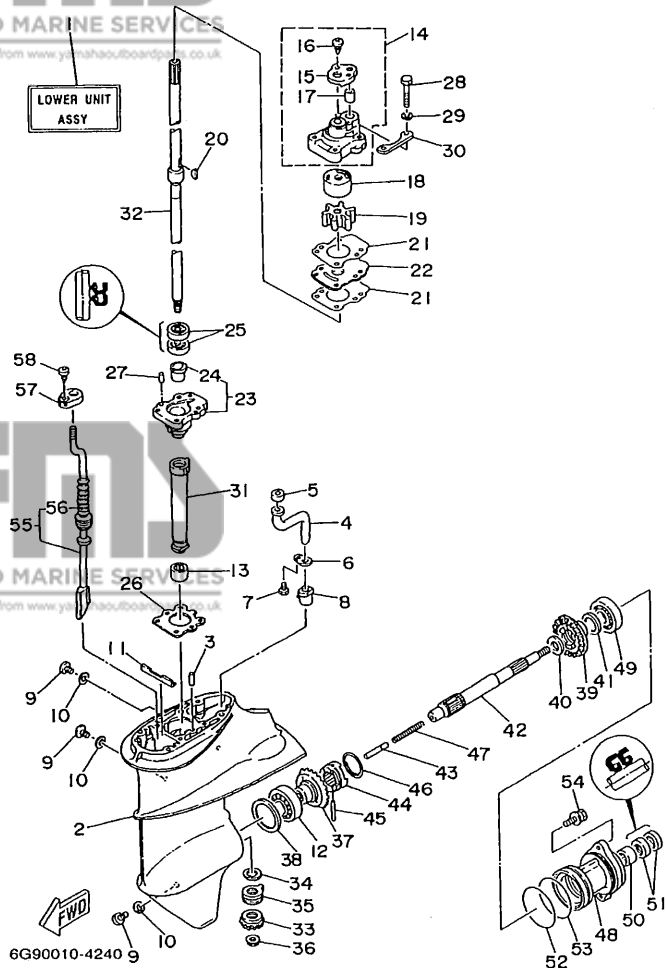
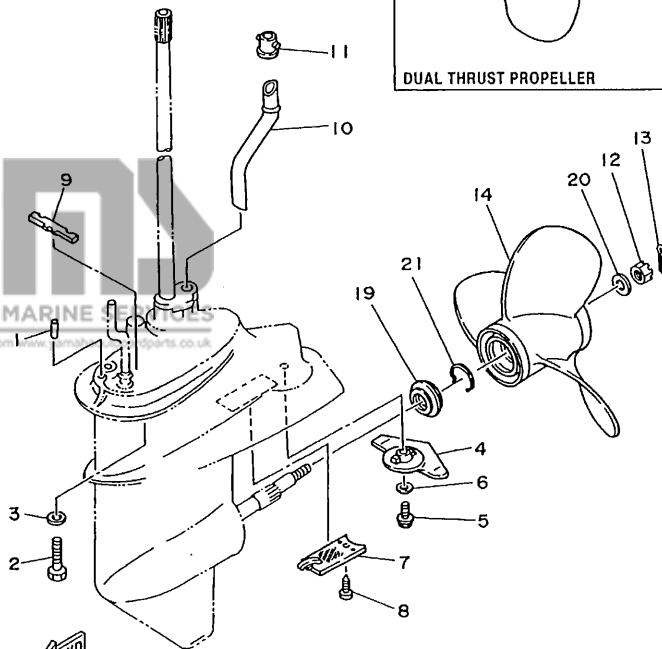
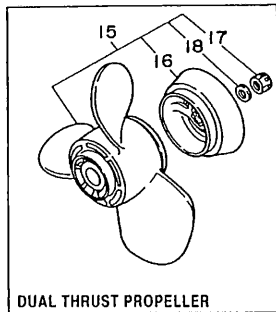


FIG. 24 LOWER CASING, DRIVE 1 BOITIER D'HELICE, TRANSMISSION 1

REF. NO.	PART NO. NO. PIECES	DESCRIPTION	MH	UT	W	REMARKS
42	683-45611-00	SHAFT, PROPELLER ARBRE, HELICE	1	1	1	
43	650-45635-00	PLUNGER, SHIFT POUSSOIR D'EMBRAYAGE	1	1	1	
44	682-45631-00	CLUTCH, DOG CRABOT	1	1	1	
45	90250-05010	PIN, STRAIGHT GOUPILLE, DROITE	1	1	1	
46	648-45633-00	RING, CROSS PIN JONC, GOUPILLE CRABOT	1	1	1	
47	90501-14M06	SPRING, COMPRESSION RESSORT, COMPRESSION	1	1	1	
48	683-45361-02-4D	CAP, LOWER CASING COUVERCLE, BOITIER D'HELICE	1	1	1	
49	93306-00501	BEARING (B6005) ROULEMENT (B6005)	1	1	1	
50	93315-317U2	BEARING ROULEMENT	1	1	1	
51	93101-17054	OIL SEAL JOINT SPY	2	2	2	
52	93210-57M09	O-RING JOINT TORIQUE	1	1	1	
53	93210-56M80	O-RING JOINT TORIQUE	1	1	1	
54	97595-06520	BOLT, WITH WASHER VIS HEXAGONAL AVC RONDELLE	2	2	2	
55	6G9-44150-00	SHIFT CAM ASSY CAME D'INVERSION	1	1	1	UR S
55	6G9-44150-10	SHIFT CAM ASSY CAME D'INVERSION	1	1	1	UR L
56	682-44147-00	BOOT, SHIFT ROD SOUFFLET, TIGE D'INVERSION	1	1	1	
57	682-44176-00	BRACKET SUPPORT	1	1	1	
58	97780-50510	SCREW, TAPPING VIS, TETE FRAISEE	1	1	1	

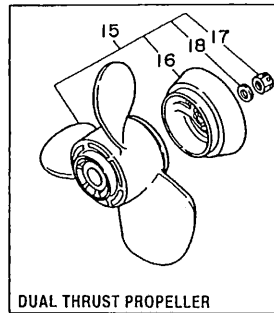


6G90010-4250

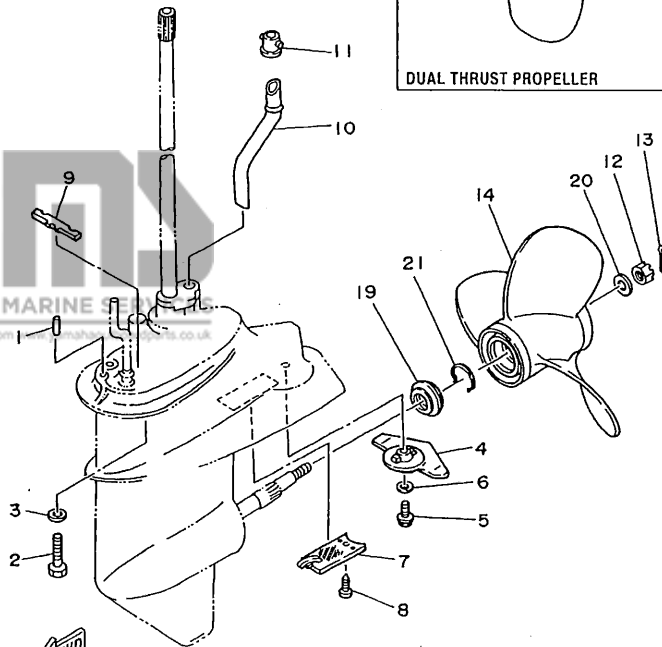
FIG. 25 LOWER CASING, DRIVE 2 BOITIER D'HELICE, TRANSMISSION 2

REF. NO.	PART NO. NO. PIECES	DESCRIPTION DESCRIPTION	MH	EH	u	REMARKS REMARQUES
1	93606-12019	PIN, DOWEL GOUJON	2	2	2	
2	97075-08035	BOLT BOULON	4	4	4	
3	92995-08600	WASHER RONDELLE	4	4	4	
4	6E8-45251-02	ANODE ANODE	1	1	1	
5	95895-06020	BOLT, FLANGE BOULON, A COLLERETTE	1	1	1	
6	92990-06300	WASHER, INTERNAL TOOTH RONDELLE, DENTURE INTERNE	1	1	1	
7	6E7-45214-00	COVER, WATER INLET GRILLE, ENTREE D'EAU	1	1	1	
8	97880-05012	SCREW, PAN HEAD VIS, TETE TRONCONIQUE	1	1	1	
9	682-45375-01	DAMPER, SEAL BOURRELET, CAOUTCHOUC	1	1	1	
10	6G9-44361-00	TUBE, WATER TUBE D'EAU	1	1	1	UR S
	6G8-44361-10	TUBE, WATER TUBE D'EAU	1	1	1	UR L
11	626-44365-01	DAMPER, WATER SEAL JOINT, TUBE D'EAU	1	1	1	
12	90171-10M01	NUT, CASTLE ECROU, CRENELE	1	1	1	
13	91490-30020	PIN, COTTER GOUPILLE, FENDUE	1	1	1	UR
	91490-30030	PIN, COTTER GOUPILLE, FENDUE	1	1	1	UR FOR DUAL THRUST PROP.
14	63V-45947-00-EL	PROPELLER (3X9-1/4"X8-3/8"-J) HELICE (3X9-1/4"X8-3/8"-J)	1	1	1	UR
	683-45941-00-EL	PROPELLER (3X9-1/4"X12"-J) HELICE (3X9-1/4"X12"-J)	1	1	1	UR
	683-45943-00-EL	PROPELLER (3X9-1/4"X10-1/2"-J) HELICE (3X9-1/4"X10-1/2"-J)	1	1	1	UR
	683-45945-00-EL	PROPELLER (3X9-1/4"X9"-J) HELICE (3X9-1/4"X9"-J)	1	1	1	UR
	683-45947-00-EL	PROPELLER (3X9-1/4"X8"-J) HELICE (3X9-1/4"X8"-J)	1	1	1	UR
	683-45949-00-EL	PROPELLER (3X9-1/2"X6-1/2"-J) HELICE (3X9-1/2"X6-1/2"-J)	1	1	1	UR
	683-45952-00-EL	PROPELLER (3X9-1/4"X9-3/4"-J) HELICE (3X9-1/4"X9-3/4"-J)	1	1	1	UR
15	683-W4591-02-EL	PROPELLER (3X9-3/4"X8"-J) HELICE (3X9-3/4"X8"-J)	1	1	1	UR DUAL THRUST PROP.
	683-W4592-02-EL	PROPELLER (3X9-3/4"X6-1/2"-J) HELICE (3X9-3/4"X6-1/2"-J)	1	1	1	UR DUAL THRUST PROP.
16	6E7-45986-00	.RING, DEFLECTOR .DEFLECTEUR DE CERCLE	1	1	1	
17	90171-10M07	.NUT, CASTLE .ECROU, CRENELE	1	1	1	
18	90201-10M02	.WASHER, PLATE .RONDELLE, PLATE	1	1	1	

A5



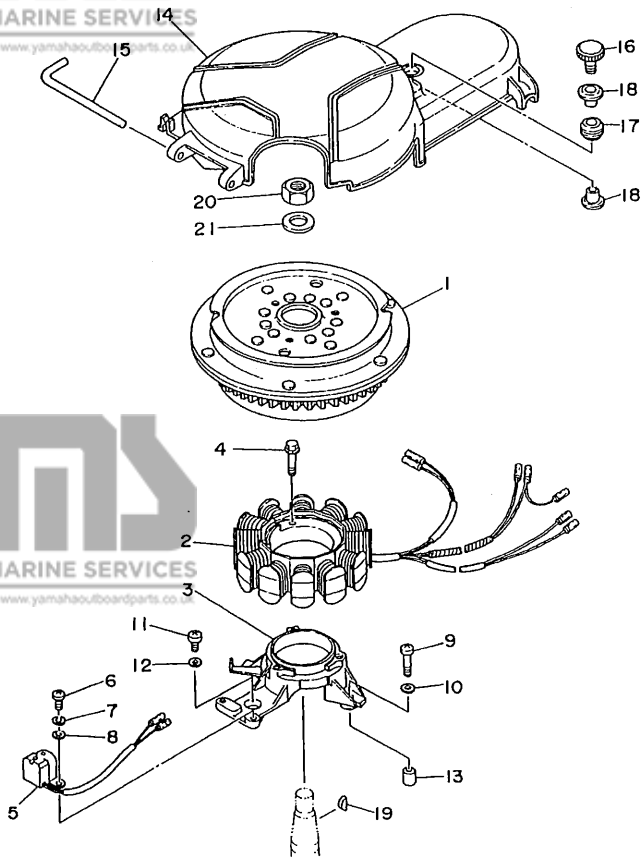
DUAL THRUST PROPELLER



6G90010-4250

FIG. 25 LOWER CASING. DRIVE 2 BOITIER D'HELICE, TRANSMISSION 2

REF. NO.	PART NO. NO. PIECES	DESCRIPTION DESCRIPTION	MH	EH	U	REMARKS REMARQUES
19	6G9-45987-00	SPACER ENTRETOISE	1	1	1	
20	90201-10M01	WASHER, PLATE RONDELLE, PLATE	1	1	1	
21	93450-10M05	CIRCLIP CIRCLIP, TYPE S	1	1	1	

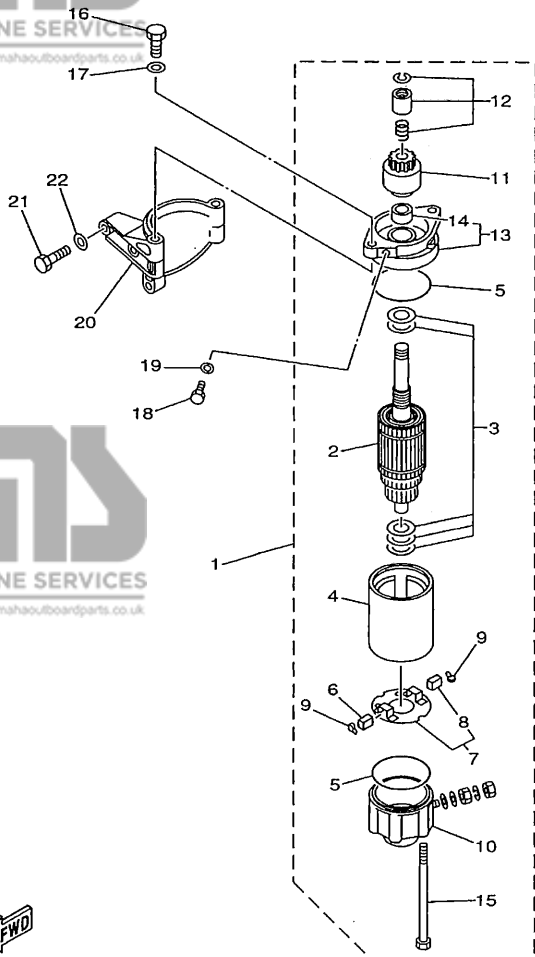


6G90010-4260

FIG. 26 GENERATOR

GENERATRICE

REF. NO.	PART NO. NO. PIECES	DESCRIPTION DESCRIPTION	MH	IT	W	REMARKS REMARQUES
1	6G8-85550-01	ROTOR ASSY ROTOR CPLT		1	1	UR
	6G8-85550-11	ROTOR ASSY ROTOR CPLT		1		UR
2	6G9-85510-01	STATOR ASSY STATOR CPLT	1	1	1	
3	6G8-85561-00-94	BASE, MAGNETO BASE, MAGNETO	1	1	1	
4	95023-06025	BOLT, FLANGE BOULON, A COLLERETTE	3	3	3	
5	6G8-85580-02	COIL, PULSER BOBINE, PULSEUR	1	1	1	
6	97880-05012	SCREW, PAN HEAD VIS, TETE TRONCONIQUE	2	2	2	
7	92990-05100	WASHER, SPRING RONDELLE, GROWER	2	2	2	
8	92990-05600	WASHER, PLATE RONDELLE, PLATE	2	2	2	
9	97880-06025	SCREW, PAN HEAD VIS, TETE TRONCONIQUE	2	2	2	
10	92990-06600	WASHER, PLATE RONDELLE, PLATE	2	2	2	
11	97880-06020	SCREW, PAN HEAD VIS, TETE TRONCONIQUE	1	1	1	
12	92990-06600	WASHER, PLATE RONDELLE, PLATE	1	1	1	
13	99530-08012	PIN, DOWEL GOUJON, D'ASSEMBLAGE	2	2	2	
14	6G8-81337-01	COVER, FLYWHEEL COUVERCLE, VOLANT	1	1	1	
15	6G8-42752-00	SHAFT AXE	1	1	1	
16	6G8-81323-00	SCREW 1 VIS 1	1	1	1	
17	90480-15M31	GROMMET PASSE-FIL	1	1	1	
18	90387-06M71	COLLAR COLLERETTE	2	2	2	
19	90280-05013	KEY, WOODRUFF CLAVETTE, DEMI-LUNE	1	1	1	
20	90170-12066	NUT ECROU	1	1	1	
21	90201-12472	WASHER, PLATE RONDELLE, PLATE	1	1	1	



6G90100-8270

FIG. 27 STARTING MOTOR

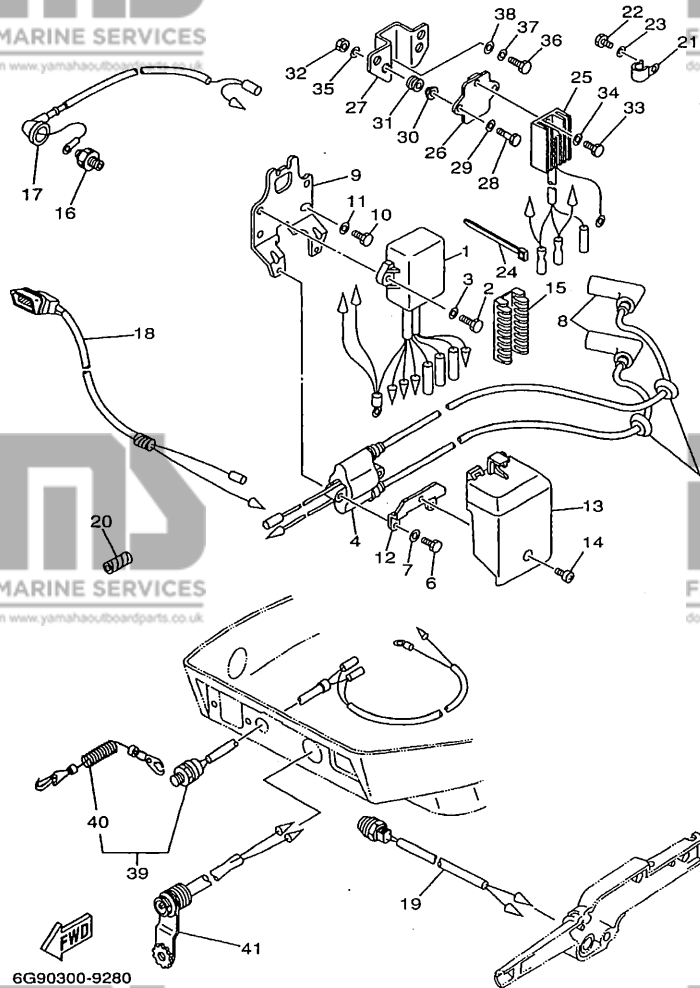
DEMARREUR ELECTRIQUE

REF. NO.	PART NO. NO. PIECES	DESCRIPTION DESCRIPTION	MH	HT	W	REMARKS REMARQUES
1	6G8-81800-11	STARTING MOTOR ASSY DEMARREUR ELECTRIQUE COMPLET		1	1	
2	689-81850-12	.ARMATURE ASSY .INDUIT		1	1	
3	689-81809-11	.WASHER KIT .JEU DE RONDELLES		1	1	
4	689-81810-11	.STATOR ASSY .STATOR COMPLET		1	1	
5	689-81847-11	.O-RING .JOINT TORIQUE		2	2	
6	689-81811-11	.BRUSH 1 .CHARBON 1		1	1	
7	689-81840-11	.BRUSH HOLDER ASSY .SUPPORT DE CHARBON		1	1	
8	689-81812-11	.BRUSH 2 .CHARBON 2		1	1	
9	689-81813-10	.SPRING, BRUSH .RESSORT, DE CHARBON		2	2	
10	689-81820-11	.REAR BRACKET ASSY .SUPPORT ARRIERE COMPLET		1	1	
11	689-81807-12	.GEAR ASSY, STARTING MOTOR .PIGNON, DEMARREUR ELECTRIQUE		1	1	
12	689-81857-11	.PINION STOPPER SET .BUTEE PIGNON		1	1	
13	6F5-81830-11	.FRONT BRACKET ASSY .SUPPORT AVANT		1	1	
14	689-81831-00	.METAL, FRONT .METAL, AVANT		1	1	
15	689-81826-10	.BOLT .BOULON		2	2	
16	97075-08025	BOLT BOULON		2	2	
17	92995-08600	WASHER RONDELLE		2	2	
18	97095-08016	BOLT BOULON		1	1	
19	92995-08600	WASHER RONDELLE		1	1	
20	6G8-81822-40-94	BRACKET, STARTING MOTOR SUPPORT, DEMARREUR ELECTRIQUE		1	1	
21	97013-08030	BOLT BOULON		3	3	
22	92903-08600	WASHER, PLATE RONDELLE, PLATE		3	3	

B1

FIG. 28 ELECTRICAL 1

PARTIE ELECTRIQUE 1



6G90300-9280

REF. NO.	PART NO. NO. PIECES	DESCRIPTION DESCRIPTION	MH	HT	W	REMARKS REMARQUES
1	6G9-85540-22	C.D.I. UNIT ASSY BLOC C.D.I.	1	1	1	
2	97095-06020	BOLT BOULON	2	2	2	
3	92995-06600	WASHER RONDELLE	2	2	2	
4	6G8-85570-21	IGNITION COIL ASSY BOBINE D'ALLUMAGE (ENS.)	1	1	1	
5	90480-25161	GROMMET PASSE-FIL	2	2	2	
6	97095-06025	BOLT BOULON	2	2	2	
7	92995-06600	WASHER RONDELLE	2	2	2	
8	6G8-82370-30	PLUG CAP ASSY ANTIPARASITE	2	2	2	
9	6G8-85542-00	BRACKET SUPPORT	1	1	1	
10	97095-06020	BOLT BOULON	2	2	2	
11	92995-06600	WASHER RONDELLE	2	2	2	
12	6G8-85525-00	PLATE PLAQUE	1	1	1	
13	6G8-81916-00	COVER, TERMINAL COUVERCLE, BORNE	1	1	1	
14	98980-06008	SCREW, BIND VIS, DE PRESSION	1	1	1	
15	6G8-82522-00	CLAMP, COUPLER BRIDE, DE CONNECTEUR	1	1	1	
16	6G8-82504-00	OIL PRESSURE SWITCH ASSY CONTACTEUR DE PRESSION D'HUILE	1	1	1	
17	6G8-82127-00	WIRE, LEAD 2 FIL 2	1	1	1	
18	6G8-83582-01	PILOT LIGHT ASSY LAMPE-TEMOIN COMPLET	1	1		
19	6G8-82550-10	ENGINE STOP SWITCH ASSY COMMUTEUR D'ARRET CPLT	1	1		
20	90446-10M02	HOSE DURITE	1	1	1	
21	90465-08M75	CLAMP BRIDE	1	1	1	
22	97013-06012	BOLT BOULON	1	1	1	
23	92903-06600	WASHER, PLATE RONDELLE, PLATE	1	1	1	
24	90465-13M11	CLAMP BRIDE	1	1	1	
25	6J8-81960-00	RECTIFIER & REGULATOR ASSY REDRESSEUR REGULATEUR CPLT	1			
26	6G9-81948-00	BRACKET JOINT TORIQUE	1			
27	6G8-81948-02	BRACKET JOINT TORIQUE	1			

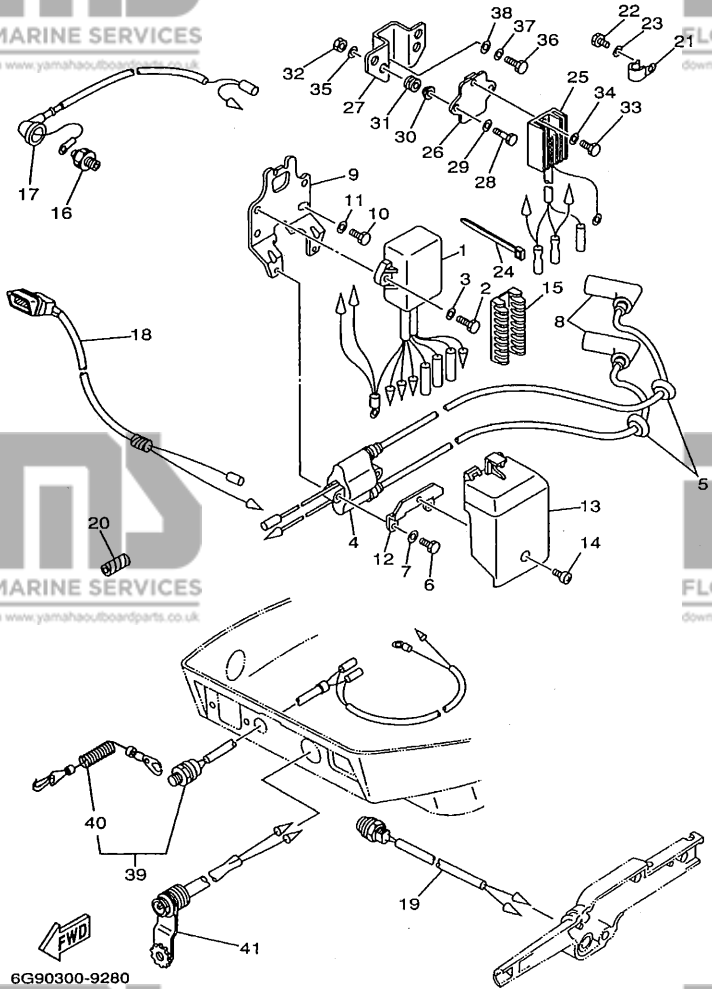
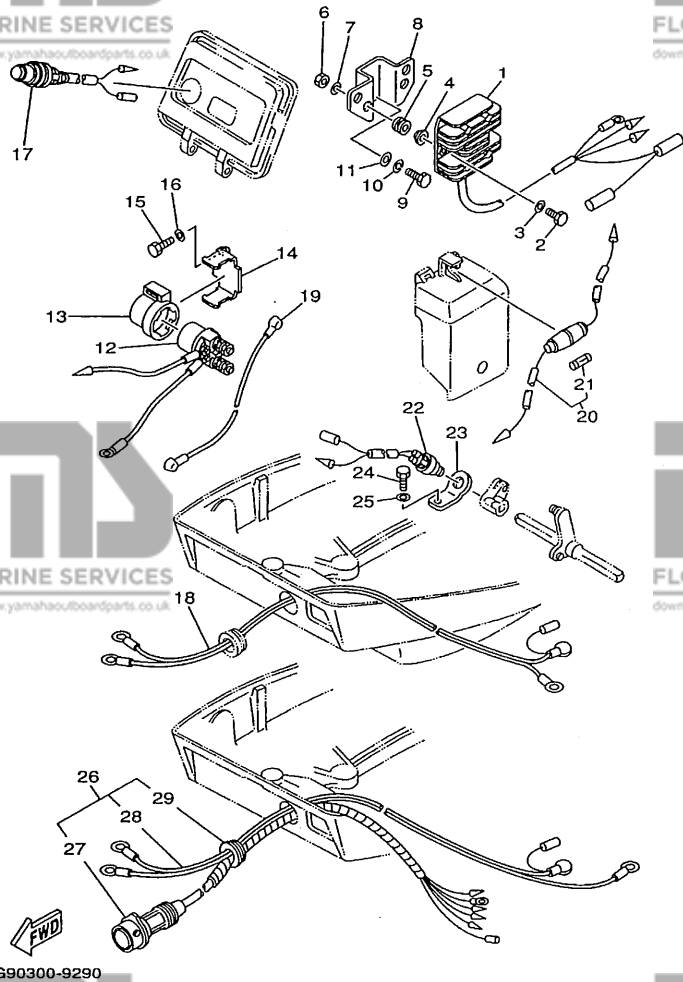


FIG. 28 ELECTRICAL 1

PARTIE ELECTRIQUE 1

REF. NO.	PART NO. NO. PIECES	DESCRIPTION DESCRIPTION	MH	EH	W	REMARKS REMARQUES
28	97095-06025	BOLT BOULON	2			
29	92995-06600	WASHER RONDELLE	2			
30	90387-06M70	COLLAR COLLERETTE	2			
31	90480-13M24	GROMMET PASSE-FIL	2			
32	95380-06700	NUT ECRQU	2			
33	97095-06016	BOLT BOULON	1			
34	92995-06600	WASHER RONDELLE	1			
35	92990-06600	WASHER, PLATE RONDELLE, PLATE	2			
36	97095-06020	BOLT BOULON	1			
37	92995-06100	WASHER, SPRING RONDELLE, GROWER	1			
38	92995-06600	WASHER RONDELLE	1			
39	6G8-82575-00	ENGINE STOP SWITCH ASSY COUPE CIRCUIT CPLT	1	1		
40	682-82556-00	.STOPPER .PLAQUETTE	1	1		
41	682-84381-00	2P CONCENT RALLONGE 2 FILS	1			

B3



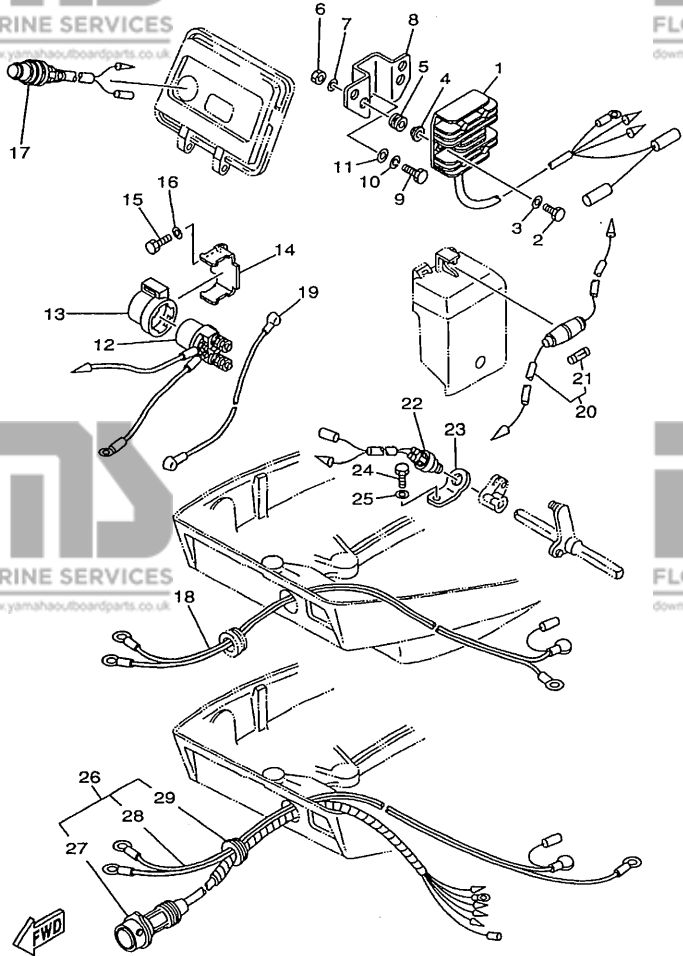
6G903300-9290

FIG. 29 ELECTRICAL 2

PARTIE ELECTRIQUE 2

REF. NO.	PART NO. NO. PIECES	DESCRIPTION DESCRIPTION	MH	ET	W	REMARKS REMARQUES
1	6G8-81960-A1	RECTIFIER & REGULATOR ASSY REDRESSEUR REGULATEUR CPLT		1	1	
2	97095-06025	BOLT BOULON		2	2	
3	92995-06600	WASHER RONDELLE		2	2	
4	90387-06M70	COLLAR COLLERETTE		2	2	
5	90480-13M24	GROMMET PASSE-FIL		2	2	
6	95380-06700	NUT ECROU		2	2	
7	92990-06600	WASHER, PLATE RONDELLE, PLATE		2	2	
8	6G8-81948-02	BRACKET JOINT TORIQUE		1	1	
9	97095-06020	BOLT BOULON		1	1	
10	92995-06100	WASHER, SPRING RONDELLE, GROUVER		1	1	
11	92995-06600	WASHER RONDELLE		1	1	
12	6J0-81941-10	STARTER RELAY ASSY LANCEUR RELAIS (ENS.)		1	1	
13	6G1-81952-00	HOLDER, RELAY SUPPORT, RELAIS		1	1	
14	6G8-81953-00	STAY, RELAY SUPPORT, RELAIS		1	1	
15	97095-06012	BOLT BOULON		1	1	
16	92995-06600	WASHER RONDELLE		1	1	
17	6G8-81870-00	STARTING SWITCH ASSY CONTACT A CLEF		1		
18	6G8-82105-01	WIRE HARNESS FAISCEAU DE FILS		1		
19	6G8-82117-00	WIRE, LEAD FIL		1	1	
20	6G8-82150-00	FUSE HOLDER ASSY SUPPORT DE FUSIBLE		1	1	
21	663-82151-00	.FUSE (12V-20A) .FUSIBLE (12V-20A)		1	1	
22	6H3-82540-00	NEUTRAL SWITCH ASSY CONTACTEUR DE POINT-MORT		1	1	
23	6G8-82554-00	STAY, NEUTRAL SWITCH SUPPORT, CONT DE POINT-MORT		1	1	
24	97095-06012	BOLT BOULON		1	1	
25	92995-06600	WASHER RONDELLE		1	1	
26	6G8-82580-00	WIRE HARNESS ASSY 2 FAISCEAU DE FILS 2 CPLT		1		
27	6G8-82590-00	.WIRE HARNESS ASSY .FAISCEAU DE FILS COMPLET		1		

B4



6G90300-9290

FIG. 29 ELECTRICAL 2

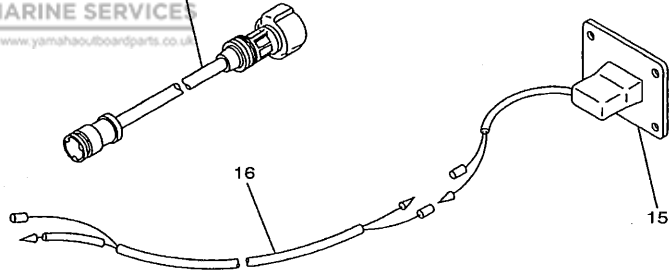
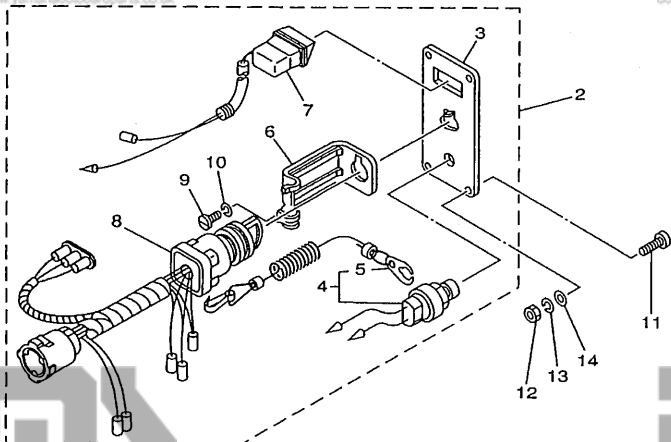
PARTIE ELECTRIQUE 2

REF. NO.	PART NO. NO. PIECES	DESCRIPTION DESCRIPTION	MH	EH	U	REMARKS REMARQUES
28	6G8-82105-01	.WIRE HARNESS .FAISCEAU DE FILS			1	
29	6G8-42724-50	.GROMMET .PASSE-FIL			1	

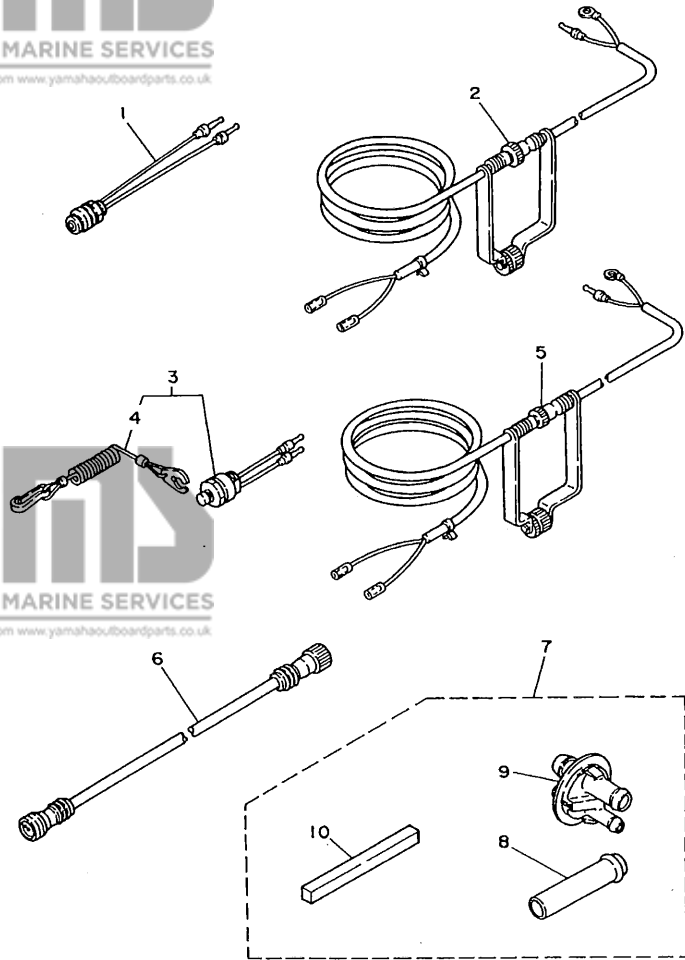
FIG. 30 ELECTRICAL 3

PARTIE ELECTRIQUE 3

REF. NO.	PART NO. NO. PIECES	DESCRIPTION DESCRIPTION	MH	EH	W	REMARKS REMARQUES
1	688-82586-50	EXTENSION, WIRE HARNESS .EXTENSION, FAISCEAU DE FILS			1	AP L:5M (7P)
2	6G8-82570-02	PANEL SWITCH ASSY PLATINE D'INTERRUPEUR CPLT			1	AP
3	6G8-82571-01	.PANEL, SWITCH .TABLEAU, CONTACTEUR			1	
4	688-82575-01	.ENGINE STOP SWITCH ASSY .COUPE CIRCUIT CPLT			1	
5	682-82556-00	..STOPPER ..PLAQUETTE			1	
6	663-82581-01	..STAY, CORD CLAMP ..SUPPORT, COLLIER DE CORDON			1	
7	6G8-83582-01	.PILOT LIGHT ASSY .LAMPE-TEMOIN COMPLET			1	
8	6G8-82510-00	.MAIN SWITCH ASSY .CONTACTEUR A CLEF COMPLET			1	
9	98903-04008	.SCREW, BIND .VIS, DE PRESSION			1	
10	92903-04100	.WASHER, SPRING .RONDELLE, GROWER			1	
11	90149-05M05	SCREW VIS			4	AP
12	95380-05600	NUT ECROU			4	AP
13	92990-05100	WASHER, SPRING RONDELLE, GROWER			4	AP
14	92990-05600	WASHER, PLATE RONDELLE, PLATE			4	AP
15	6G8-83530-00	PILOT LIGHT ASSY VOLTMETRE CPLT			1	AP
16	6G8-82541-00	WIRE, LEAD FIL			1	AP



FWD
6G80100-9300



6G80100-9310

FIG. 31 OPTIONAL PARTS

PIECES OPTIONNELLES

REF. NO.	PART NO. NO. PIECES	DESCRIPTION DESCRIPTION	MH	ET	W	REMARKS REMARQUES
1	689-82550-11	ENGINE STOP SWITCH ASSY COMMUNTEUR D'ARRET CPLT			1	
2	6A0-82553-20	EXTENSION, WIRE LEAD EXTENSION, FAISCEAU			1	
3	689-82575-13	ENGINE STOP SWITCH ASSY COUPE CIRCUIT CPLT			1	
4	682-82556-00	.STOPPER .PLAQUETTE			1	
5	6A0-82553-20	EXTENSION, WIRE LEAD EXTENSION, FAISCEAU			1	
6	689-82553-10	EXTENSION, WIRE LEAD EXTENSION, FAISCEAU			1	
7	6G8-W4537-00	WELL-TYPE EXHAUST KIT KIT D'ECHAPPEMENT			1	
8	6G8-14611-00	.PIPE, EXHAUST 1 .COUDE D'ECHAPPEMENT			1	
9	6G8-44391-10	.NIPPLE, HOSE .RACCORD D'ESSENCE			1	
10	6G8-45375-10	.DAMPER, SEAL .BOURRELET, CAOUTCHOUC			1	

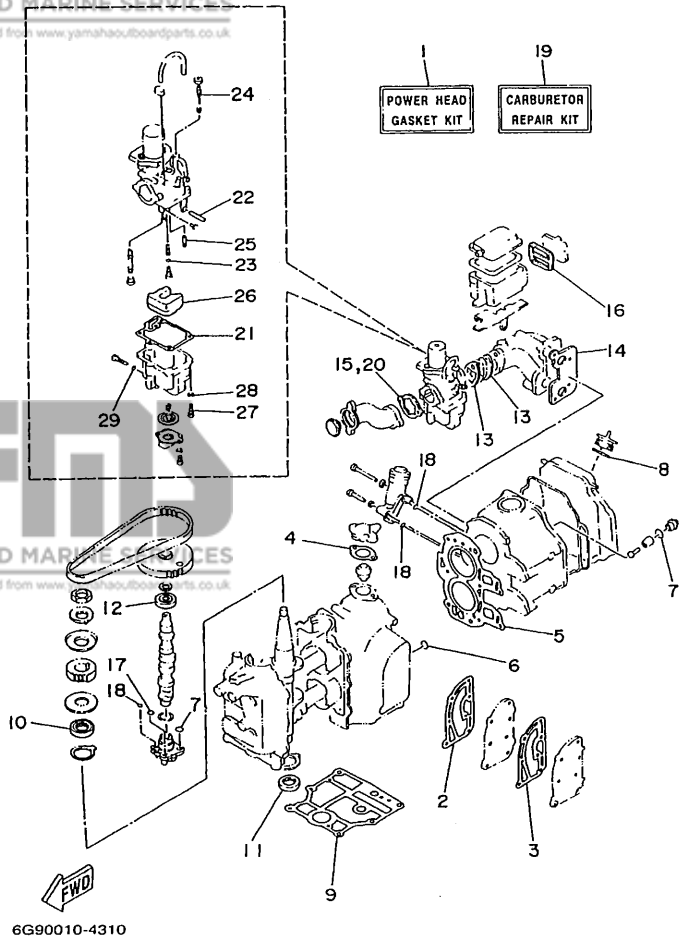
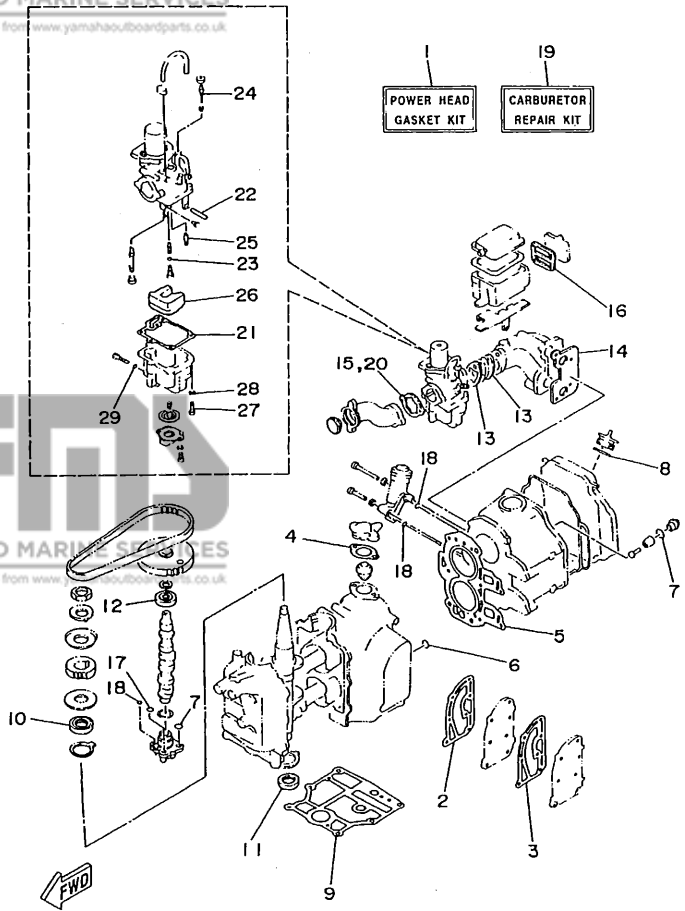


FIG. 32 REPAIR KIT 1

KITS DE REPARATION 1

REF. NO.	PART NO. NO. PIECES	DESCRIPTION DESCRIPTION	M	H	U	W	REMARKS REMARQUES
1	6G8-W0001-A3	POWER HEAD GASKET KIT POCHETTE DE JINTS TETE MOTRICE	1	1	1		
2	6G8-41112-02	.GASKET, EXHAUST INNER COVER .JOINT, PLAQUE D'ECHAPPEMENT	1	1	1		
3	6G8-41114-00	.GASKET, EXHAUST OUTER COVER .JOINT, COUVERCLE D'ECHAPPEMEN	1	1	1		
4	6G8-12414-A0	.GASKET, COVER .JOINT, COUVERCLE	1	1	1		
5	6G8-11181-A1	.GASKET, CYLINDER HEAD 1 .JOINT, DE CULASSE 1	1	1	1		
6	93210-11M59	.O-RING .JOINT TORIQUE	1	1	1		
7	93210-13M63	.O-RING .JOINT TORIQUE	3	3	3		
8	93210-24M79	.O-RING .JOINT TORIQUE	1	1	1		
9	6G8-11351-A0	.GASKET, CYLINDER .JOINT, D'EMBASE	1	1	1		
10	93102-30M22	.OIL SEAL .JOINT SPY	1	1	1		
11	93101-25M24	.OIL SEAL .JOINT SPY	1	1	1		
12	93102-18M21	.OIL SEAL .JOINT SPY	1	1	1		
13	6G8-13646-A0	.GASKET, MANIFOLD 2 .JOINT, TUBULURE 2	2	2	2		
14	6G8-13645-00	.GASKET, MANIFOLD 1 .JOINT, TUBULURE 1	1	1	1		
15	6G8-14198-A0	.GASKET .JOINT	1	1	1		
16	6G8-15374-00	.GASKET, BREATHER .JOINT, RENIFLARD	1	1	1		
17	93210-10M61	.O-RING .JOINT TORIQUE	1	1	1		
18	93210-09M01	.O-RING .JOINT TORIQUE	3	3	3		
19	6G8-W0093-03	CARBURETOR REPAIR KIT KIT DE REPARATION CARBURATEUR	1	1	1		
20	6G8-14198-A0	.GASKET .JOINT	1	1	1		
21	6G8-14384-01	.GASKET, FLOAT CHAMBER .JOINT, CUVE DE FLOTTEUR	1	1	1		
22	647-14386-00	.PIN, FLOAT .AXE, FLOTTEUR	1	1	1		
23	654-14198-00	.GASKET .JOINT	1	1	1		
24	6G8-14323-00	.SCREW, AIR ADJUSTING .VIS DE DOSEUR D'AIR	1	1	1		
25	6G8-14392-00	.VALVE, NEEDLE .POINTEAU	1	1	1		
26	6G8-14385-00	.FLOAT .FLOTTEUR	1	1	1		
27	98580-04016	.SCREW, PAN HEAD .VIS, TETE TRONCONIQUE	1	1	1		

C1

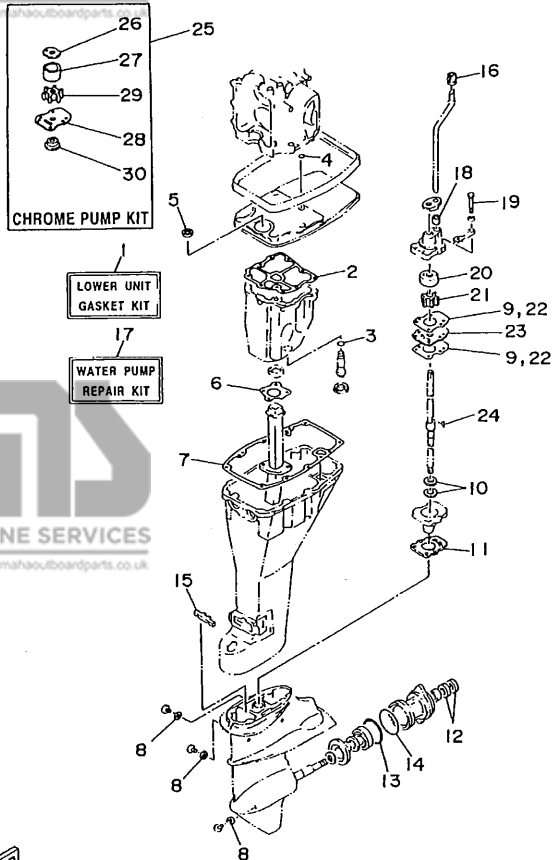


6G90010-4310

FIG. 32 REPAIR KIT 1

KITS DE REPARATION 1

REF. NO.	PART NO. NO. PIECES	DESCRIPTION DESCRIPTION	MH	EH	W	REMARKS REMARQUES
28	92990-04100	.WASHER, SPRING .RONDELLE, GROUVER	1	1	1	
29	5Y1-14397-00	.O-RING .JOINT TORIQUE	1	1	1	



FMS
6G90010-4320

FIG. 33 REPAIR KIT 2

KITS DE REPARATION 2

REF. NO.	PART NO. NO. PIECES	DESCRIPTION DESCRIPTION	MH	U	W	REMARKS REMARQUES
1	6G9-W0001-C6	LOWER UNIT GASKET KIT POCHETTE DE JOINTS EMBASE	1	1	1	
2	6G8-15312-A1	.GASKET, OIL PAN .JOINT DE VENTILATEUR D'HUILE	1	1	1	
3	93210-16M64	.O-RING .JOINT TORIQUE	1	1	1	
4	93210-08M60	.O-RING .JOINT TORIQUE	1	1	1	
5	93101-13M27	.OIL SEAL .JOINT SPY	1	1	1	
6	6G8-41133-A0	.GASKET, EXHAUST MANIFOLD 1 .JOINT, PIPE D'ECHAPPEMENT	1	1	1	
7	6G8-45113-A1	.GASKET, UPPER CASING .JOINT, TUBE D'ARBRE	1	1	1	
8	90430-08020	.GASKET .JOINT	3	3	3	
9	682-44315-A0	.GASKET, WATER PUMP .JOINT, POMPE A EAU	2	2	2	
10	93101-20048	.OIL SEAL .JOINT SPY	2	2	2	
11	683-45315-A0	.PACKING, LOWER CASING .JOINT, BOITIER D'HELICE	1	1	1	
12	93101-17054	.OIL SEAL .JOINT SPY	2	2	2	
13	93210-57M09	.O-RING .JOINT TORIQUE	1	1	1	
14	93210-56M80	.O-RING .JOINT TORIQUE	1	1	1	
15	682-45375-01	.DAMPER, SEAL .BOURRELET, CAOUTCHOUC	1	1	1	
16	626-44365-01	.DAMPER, WATER SEAL .JOINT, TUBE D'EAU	1	1	1	
17	682-W0078-A2	WATER PUMP REPAIR KIT KIT DE REPARATION DE LA POMPE	1	1	1	
18	682-44365-00	.DAMPER, WATER SEAL .JOINT, TUBE D'EAU	1	1	1	
19	97095-06045	.BOLT .BOULON	4	4	4	
20	682-44322-00	.INSERT, CARTRIDGE .CUVETTE	1	1	1	
21	682-44352-01	.IMPELLER .TURBINE	1	1	1	
22	682-44315-A0	.GASKET, WATER PUMP .JOINT, POMPE A EAU	2	2	2	
23	682-44323-00	.OUTER PLATE, CARTRIDGE .PLAQUE EXTERIEURE	1	1	1	
24	90280-03024	.KEY, WOODRUFF .CLAVETTE, DEMI-LUNE	1	1	1	
25	682-W0078-0A	CHROME PUMP KIT KIT DE POMPE A EAU CHROME	1	1	1	
26	682-44321-40	.INNER PLATE, CARTRIDGE .CUVETTE	1	1	1	
27	682-44322-40	.INSERT, CARTRIDGE .CUVETTE	1	1	1	

C3

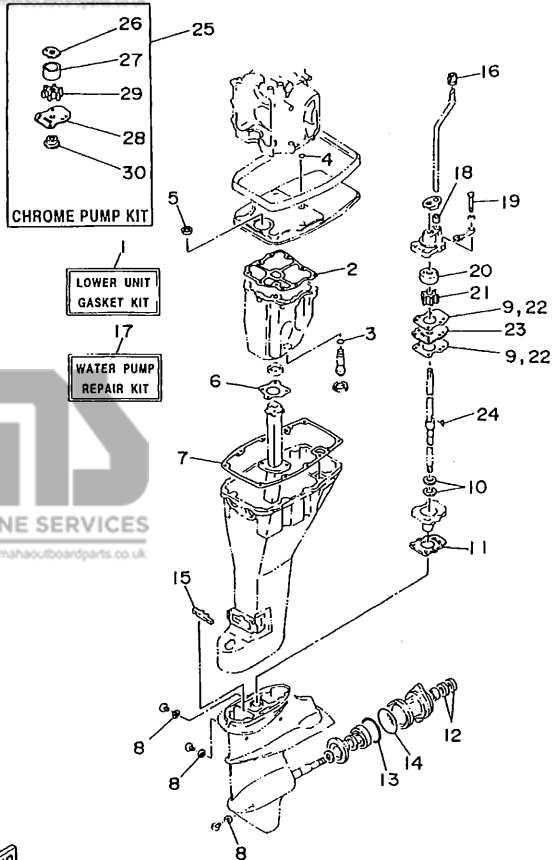


FIG. 33 REPAIR KIT 2

KITS DE REPARATION 2

REF. NO.	PART NO. NO. PIECES	DESCRIPTION DESCRIPTION	MH	EH	E	REMARKS REMARQUES
28	682-44323-40	.OUTER PLATE, CARTRIDGE .PLAQUE EXTERIEURE	1	1	1	
29	682-44352-01	.IMPELLER .TURBINE	1	1	1	
30	682-45344-00	.COVER, OIL SEAL .FLASQE, JOINT D'HUILE	1	1	1	



6G90010-4320

NUMERICAL INDEX
INDEX NUMERIQUE

PART NO. NO. PIECES	REF. NO.
6G8-W0001-A3	32 - 1
6G9-W0001-C6	33 - 1
6G9-W0070-13	12 - 9
682-W0078-A2	33 - 17
682-W0078-OA	33 - 25
6G8-W0090-33-1S	1 - 1
6G8-W0093-03	32 - 19
676-W2810-01	9 - 27
6G8-W4537-00	31 - 7
683-W4591-02-EL	25 - 15
683-W4592-02-EL	25 - 15
6G8-11111-03-1S	1 - 22
6G8-11133-10	1 - 23
6G8-11181-A1	1 - 34
	32 - 5
6G8-11191-01-1S	1 - 36
6G8-11197-00	1 - 44
6G8-11325-00	1 - 42
6G8-11351-A0	1 - 6
	32 - 9
6G8-11355-00	23 - 33
6G8-11356-00	1 - 40
676-11372-00	1 - 11
	1 - 25
	1 - 38
6G8-11411-04	2 - 1
6G8-11416-00	2 - 4
6G8-11416-10	2 - 4
6G8-11416-20	2 - 4
6G8-11426-00	2 - 8
6G8-11536-00-94	6 - 2
6G8-11537-00-94	6 - 6
6G8-11557-00	6 - 3
6G8-11575-00	7 - 1
6G8-11587-00	6 - 5
6G8-11610-02	2 - 10
6G8-11610-12	2 - 10
6G8-11610-22	2 - 10
6G8-11631-03-96	2 - 9
634-11633-00	2 - 11
6G8-11635-03	2 - 9
6G8-11636-03	2 - 9
6G8-11650-03	2 - 5
6G8-11654-00	2 - 6
6G8-12111-00	3 - 1
6G8-12113-00	3 - 4
6G8-12116-00	3 - 3
6G8-12117-00	3 - 5

PART NO. NO. PIECES	REF. NO.
6G8-12117-10	3 - 7
30X-12118-00	3 - 6
51Y-12119-00	3 - 9
6G8-12121-01	3 - 2
6G8-12146-00	3 - 13
6G8-12151-00	3 - 10
6G8-12153-00	3 - 8
6G8-12158-00	3 - 12
6G8-12159-00	3 - 11
6G8-12171-00	6 - 11
6G8-12411-02	1 - 16
6G8-12413-00-1S	1 - 17
6G8-12414-A0	1 - 19
	32 - 4
6G8-12476-00	13 - 36
6G8-12481-01	1 - 27
6G8-12483-00	23 - 2
6G8-12484-00	23 - 3
6G8-12485-00	13 - 38
6G8-13300-02	6 - 13
6G8-13421-00	7 - 12
6G8-13440-00	6 - 21
6G8-13442-00-1S	6 - 20
6G8-13448-00	4 - 35
6G8-13471-00	7 - 15
6G8-13487-00	7 - 4
6G8-13641-01-94	4 - 5
6G8-13645-00	4 - 6
	32 - 14
6G8-13646-A0	4 - 1
	32 - 13
6G8-13647-00	4 - 4
6G8-1410A-01	5 - 24
389-14137-00	5 - 44
1HV-14147-00	5 - 19
6G8-14197-01	5 - 16
6G8-14198-A0	4 - 13
	32 - 15
	32 - 20
646-14198-01	5 - 33
654-14198-00	5 - 6
	32 - 23
646-14212-00	5 - 21
6G8-14216-00	5 - 10
6G8-14217-00	5 - 35
6G8-14229-00	5 - 41
6G8-14275-01	5 - 31
6G8-14286-01	5 - 42

PART NO. NO. PIECES	REF. NO.
6G8-14293-03	5 - 36
6G8-14293-10	5 - 36
6G8-14301-05	5 - 1
6J6-14301-06	5 - 1
6J7-14301-10	5 - 1
664-14321-01	5 - 20
6G8-14323-00	5 - 13
	32 - 24
6G8-14323-10	5 - 13
647-14334-00	5 - 11
6G8-14341-20	5 - 9
6G8-14341-30	5 - 9
6G8-14342-24	5 - 5
648-14343-41	5 - 8
648-14343-43	5 - 8
6A4-14344-30	5 - 26
6G8-14345-00	5 - 7
6G8-14349-00	5 - 34
6G8-14357-00	5 - 43
6G8-14368-02	5 - 30
6G8-14379-00	5 - 39
6G8-14379-10	5 - 39
6G8-14381-02	5 - 3
6G8-14383-00	5 - 28
6G8-14384-01	5 - 2
	32 - 21
6G8-14385-00	5 - 15
	32 - 26
647-14386-00	5 - 4
	32 - 22
6G8-14392-00	5 - 14
	32 - 25
5H0-14397-00	5 - 10
5Y1-14397-00	5 - 27
	32 - 29
6G8-14457-00	5 - 45
6G8-14478-00	4 - 12
6G8-14479-02-94	4 - 11
6G8-14479-10-94	4 - 11
6G8-14493-00	17 - 32
6J6-14493-00	17 - 32
6G8-14611-00	31 - 8
6G8-14827-00	5 - 25
6G8-14997-00	5 - 12
6G8-15100-05-1S	1 - 2
6G8-15311-03-0D	7 - 7
6G8-15312-A1	7 - 8
	33 - 2

PART NO. NO. PIECES	REF. NO.
6G8-15316-00	7 - 13
6G8-15346-00	4 - 22
6G8-15347-00	4 - 23
6G8-15358-00	4 - 16
6G8-15362-04	7 - 17
6G8-15363-00	1 - 46
6G8-15368-00-94	4 - 18
6G8-15369-00	4 - 19
6G8-15371-00-94	4 - 21
6G8-15373-00	1 - 37
	4 - 34
6G8-15374-00	4 - 26
	32 - 16
6G8-15376-00	4 - 32
6G8-15379-00	7 - 3
6G8-15393-00	4 - 29
6G8-15393-10	4 - 29
6G8-15710-10	8 - 1
6G8-15711-00	8 - 2
6G8-15712-00	8 - 30
6G8-15713-00	8 - 4
6G8-15714-00	8 - 3
6G8-15715-00	8 - 7
6G8-15716-00	8 - 27
6G8-15719-00	8 - 5
6G8-15723-00	8 - 6
6G8-15726-00	8 - 21
6G8-15727-00	8 - 9
6G8-15734-00	8 - 25
6G8-15739-00	8 - 17
6G8-15742-00	8 - 33
6G8-15746-00	8 - 23
6G8-15747-00	8 - 26
6F5-15752-00	8 - 12
663-15753-00	8 - 13
6G8-15754-00	8 - 8
6G1-15755-00	8 - 34
6G8-15767-00	8 - 24
6G8-15768-00	8 - 10
6G8-15770-00	8 - 38
6G8-15771-00	8 - 39
6G8-15772-00	8 - 42
6G8-15779-00	8 - 31
689-15779-01	8 - 35
6G8-15789-00	8 - 32
663-15791-00	8 - 14
6G8-15794-00	8 - 22
6YK-24201-01	10 - 1

PART NO. NO. PIECES	REF. NO.
6YK-24201-10	10 - 1
6YL-24201-01	11 - 1
646-24251-02	9 - 5
6YK-24260-01	10 - 5
6YL-24260-01	11 - 4
6YL-24268-01	10 - 2
	11 - 7
6G1-24304-02	9 - 1
6YL-24306-50	10 - 8
	11 - 8
6G8-24311-00	9 - 4
6H4-24312-00	9 - 25
6G8-24329-00	9 - 2
	9 - 15
6YL-24329-00	10 - 7
	11 - 6
6G8-24376-00	9 - 23
6E5-24377-00	1 - 18
6G8-24378-01	13 - 37
688-24378-00	1 - 26
6G8-24379-00	13 - 34
6G8-24379-00	1 - 26
6G8-24410-E0	9 - 8
6G8-24410-03	9 - 8
6G8-24411-02	9 - 10
6G8-24421-00	9 - 9
677-24444-00	9 - 16
6G8-24471-00	9 - 14
6YK-24610-00	10 - 3
6YK-24610-10	10 - 3
6YL-24610-00	11 - 2
6YL-24641-00	10 - 4
	11 - 3
6G8-26363-00	17 - 22
	18 - 13
6G8-26364-00	17 - 23
	18 - 14
6G8-41111-02-1S	1 - 7
6G8-41112-02	1 - 8
	32 - 2
6G8-41113-02-1S	1 - 10
6G8-41113-10-1S	1 - 10
6G8-41114-00	1 - 9
	32 - 3
6G8-41131-01	23 - 14
6G8-41133-A0	23 - 17
	33 - 6
6G8-41137-04-94	23 - 1

PART NO. NO. PIECES	REF. NO.
6G8-41138-00	23 - 15
6G8-41212-00	17 - 24
6G8-41237-01	17 - 30
6G8-41238-01	17 - 27
6G8-41241-01	17 - 28
6G8-41242-01	17 - 31
6G8-41654-00	17 - 20
6G8-41661-00-98	17 - 15
6G8-41662-00-98	17 - 16
6G8-41663-00	17 - 17
6G8-42111-01-4D	16 - 1
6G8-42112-02-4D	16 - 2
6G8-42113-02-4D	16 - 25
6G8-42119-00	16 - 21
6G8-42126-01-94	16 - 15
6G8-42129-00	17 - 2
6G8-42137-01	16 - 22
6J6-42137-00	16 - 22
6G8-42147-01	16 - 7
6G8-42177-00	16 - 24
6G9-42511-01-4D	14 - 29
6G8-42521-10-94	14 - 32
6G9-42521-00-94	14 - 32
6G8-42528-00	14 - 24
6G8-42537-00	14 - 34
6G8-42551-00	18 - 17
6G9-42610-14-4D	12 - 1
6J7-42610-51-4D	12 - 1
6G8-42613-01-4D	12 - 6
6G8-42614-02	13 - 29
6G8-42614-12	13 - 29
6G8-42615-01	12 - 2
6G8-42629-02	13 - 31
6G8-42651-00	12 - 3
6G8-42652-00	12 - 4
6G8-42662-00	12 - 11
6G8-42677-00	13 - 30
6G8-42677-10	13 - 30
6G8-42677-20	13 - 30
6G9-42678-13	12 - 10
6J7-42678-51	12 - 10
6G8-42711-02-4D	13 - 1
6G8-42716-00	23 - 13
6G8-42719-00-94	13 - 24
6G8-42724-00	13 - 7
6G8-42724-40	13 - 8
6G8-42724-50	29 - 29
6H4-42725-00	16 - 10

NUMERICAL INDEX
INDEX NUMERIQUE

PART NO. NO. PIECES	REF. NO.
6G8-42727-00	13 - 11
6G8-42738-00-94	13 - 23
6G8-42741-00-4D	23 - 28
6G8-42748-00	13 - 20
6G8-42752-00	26 - 15
6G8-42755-00	13 - 32
6G8-42771-00-4D	23 - 30
6G8-42791-00	23 - 29
6G8-42792-00	23 - 31
6G8-42811-00-94	13 - 14
6G8-42815-00	13 - 12
6G8-42831-00	13 - 13
6G8-43111-04-4D	14 - 1
6G8-43112-04-4D	14 - 2
6J8-43113-01	14 - 20
648-43114-01	14 - 6
6E7-43116-00	14 - 5
6E0-43118-01	14 - 3
6G8-43131-00	14 - 14
6E5-43145-01	19 - 13
6G5-43145-00	14 - 19
6G8-43160-01	15 - 5
6G8-43181-00	14 - 7
6G8-43311-15-4D	14 - 21
6G9-43311-04-4D	14 - 21
682-43318-01	14 - 8
682-43339-01	14 - 13
6G8-43373-00	14 - 27
682-43611-01	15 - 16
682-43614-00	15 - 14
682-43615-01	15 - 15
6G8-43616-00	15 - 9
6G8-43617-00	15 - 13
6G8-43631-03	15 - 6
682-43641-00	15 - 10
6G9-43643-00	15 - 22
682-43659-00	15 - 18
6G9-43681-00	15 - 21
6G8-44111-00	17 - 33
682-44116-01	17 - 38
6G8-44121-00-98	17 - 1
682-44121-01	17 - 36
6G8-44123-00	17 - 3
6G8-44125-00	17 - 47
682-44132-00	17 - 35
6G8-44143-10	17 - 41
6G9-44143-00	17 - 41

PART NO. NO. PIECES	REF. NO.
682-44147-00	24 - 56
6G9-44150-00	24 - 55
6G9-44150-10	24 - 55
6G8-44159-00	17 - 34
682-44176-00	24 - 57
6E0-44191-11	13 - 40
6G8-44191-00	16 - 4
682-44300-01	24 - 14
682-44312-00	24 - 15
682-44315-A0	24 - 21
682-44321-40	33 - 9
682-44322-00	33 - 22
682-44322-40	33 - 26
682-44322-00	24 - 18
682-44322-00	33 - 20
682-44322-40	33 - 27
682-44323-00	24 - 22
682-44323-40	33 - 23
682-44323-40	33 - 28
682-44328-00	24 - 30
682-44352-01	24 - 19
6G8-44361-10	33 - 21
6G9-44361-00	33 - 29
683-44362-01	25 - 10
626-44365-01	25 - 10
682-44365-00	24 - 4
682-44365-01	25 - 11
682-44365-00	33 - 16
682-44365-00	24 - 17
682-44365-01	33 - 18
683-44365-01	24 - 5
6E7-44366-00	24 - 8
6G8-44367-00	23 - 8
683-44373-00	24 - 6
6G8-44391-00	13 - 9
6G8-44391-10	31 - 9
6G8-44517-00-94	14 - 38
6G8-44518-00	14 - 48
6G8-44521-00	14 - 51
6G8-44522-00	14 - 46
6G8-44526-00	14 - 39
6G8-44532-00	14 - 52
6G8-44533-00	14 - 49
6G8-44551-01-4D	14 - 53
6G8-44552-02-4D	14 - 54
682-44555-00	14 - 61
6G8-44557-00	14 - 60
6G8-45111-13-4D	23 - 18

PART NO. NO. PIECES	REF. NO.
6G9-45111-03-4D	23 - 18
6G8-45113-A1	23 - 24
6G9-45113-00	33 - 7
663-45119-00	14 - 23
6E7-45214-00	16 - 6
6G8-45127-00	7 - 9
6G8-45135-00	23 - 12
6G8-45136-00	23 - 23
6G8-45151-10	23 - 22
6E7-45214-00	25 - 7
6E8-45251-02	25 - 4
6G9-45300-06-4D	24 - 1
6G9-45300-16-4D	24 - 1
6E8-45311-00-4D	24 - 2
663-45315-A0	24 - 26
626-45316-09	33 - 11
6E7-45331-00-5B	24 - 24
682-45344-00	24 - 23
683-45361-02-4D	33 - 28
6G8-45375-10	33 - 28
682-45375-01	24 - 48
682-45376-01	31 - 10
6G9-45501-01	25 - 9
6G9-45501-11	33 - 15
6E7-45536-00	24 - 11
6E7-45551-00	24 - 33
6E7-45560-01	24 - 37
664-45567-01-10	24 - 38
664-45567-01-12	24 - 38
664-45567-01-15	24 - 38
664-45567-01-18	24 - 38
664-45567-01-30	24 - 38
664-45567-01-40	24 - 38
664-45567-01-50	24 - 38
6E7-45571-00	24 - 39
626-45577-00-01	24 - 41
626-45577-00-03	24 - 41
626-45577-00-05	24 - 41
6E8-45587-00-13	24 - 34
6E8-45587-00-20	24 - 34
683-45611-00	24 - 42
682-45631-00	24 - 44
648-45633-00	24 - 46
650-45635-00	24 - 43
683-45941-00-EL	25 - 14
683-45943-00-EL	25 - 14

PART NO. NO. PIECES	REF. NO.
683-45945-00-EL	25 - 14
63V-45947-00-EL	25 - 14
683-45947-00-EL	25 - 14
683-45949-00-EL	25 - 14
683-45952-00-EL	25 - 14
6E7-45986-00	25 - 16
6G9-45987-00	25 - 19
6G8-46241-00	6 - 1
701-48101-51	20 - 2
701-48126-00	22 - 40
701-48133-00	22 - 41
701-48138-50	22 - 39
701-48152-11	22 - 13
703-48152-00	21 - 56
701-48153-12	22 - 33
703-48153-00	21 - 3
701-48189-11	22 - 31
703-48189-00	21 - 17
701-48196-11	22 - 7
701-48197-10	22 - 3
701-48198-10	22 - 15
703-48198-00	21 - 14
703-48211-01	21 - 60
703-48212-00	21 - 57
701-48213-00	22 - 19
703-48213-00	21 - 58
703-48215-00	21 - 43
702-48217-00	21 - 44
703-48219-00	21 - 30
701-48221-00	22 - 6
703-48221-00	21 - 25
701-48222-00	22 - 27
703-48222-00	21 - 27
703-48223-00	21 - 28
703-48224-00	21 - 52
703-48225-00	21 - 29
703-48226-00	21 - 26
703-48227-00	21 - 24
701-48229-00	22 - 26
701-48232-00	22 - 30
703-48232-00	21 - 61
701-48234-00	22 - 5
703-48234-00	21 - 18
701-48235-00	22 - 2
703-48235-00	21 - 4
701-48236-00	22 - 8
703-48236-00	21 - 16

PART NO. NO. PIECES	REF. NO.
702-48237-00	22 - 9
702-48238-00	22 - 10
703-48238-00	21 - 22
703-48240-12	20 - 1
701-48243-00	22 - 14
703-48243-00	21 - 15
703-48244-00	21 - 21
703-48245-00	21 - 11
701-48246-00	22 - 24
703-48246-00	21 - 23
701-48248-00	21 - 13
701-48249-00	22 - 12
701-48252-00	22 - 11
703-48252-00	22 - 4
703-48252-00	21 - 12
701-48255-00	22 - 21
701-48261-00	22 - 37
703-48261-11	21 - 2
703-48264-00	21 - 6
703-48265-00	21 - 9
701-48266-00	22 - 29
701-48268-00	22 - 18
703-48268-00	21 - 5
701-48271-00	22 - 34
703-48271-00	21 - 59
701-48280-00	22 - 45
701-48281-10	22 - 16
703-48281-00	21 - 31
703-48282-00	21 - 32
703-48284-00	21 - 53
701-48287-00	21 - 42
703-48287-00	22 - 43
702-48288-00	22 - 23
703-48291-10	21 - 39
703-48293-10	21 - 41
701-48310-40	20 - 3
701-48310-60	20 - 3
701-48310-80	20 - 3
701-48310-90	20 - 3
6G8-48311-02	17 - 12
6J6-48311-02	17 - 12
701-48320-00	20 - 3
701-48320-20	20 - 3
701-48320-30	20 - 3
701-48320-50	20 - 3
6G8-48321-01	17 - 13
703-48345-01	21 - 19

PART NO. NO. PIECES	REF. NO.
703-48345-01	22 - 36
6G8-48351-51	18 - 12
701-48358-00	22 - 38
703-48358-00	21 - 20
6G8-48501-03	18 - 1
6G8-48511-10	18 - 21
6G8-48511-20	18 - 18
6G8-48531-51	18 - 2
6G8-48532-50	18 - 3
6G8-48538-50	18 - 4
6G8-48565-50	18 - 9
6G8-61350-00	19 - 1
6E5-61355-00	19 - 8
6G8-81323-00	26 - 16
6G8-81336-00	1 - 39
6G8-81337-01	26 - 14
6G8-81800-11	27 - 1
689-81807-12	27 - 11
689-81809-11	27 - 3
689-81810-11	27 - 4
689-81811-11	27 - 6
689-81812-11	27 - 8
689-81813-10	27 - 9
689-81820-11	27 - 10
6G8-81822-40-94	27 - 20
689-81826-10	27 - 15
6F5-81830-11	27 - 13
689-81831-00	27 - 14
689-81840-11	27 - 7
689-81847-11	27 - 5
689-81850-12	27 - 2
689-81857-11	27 - 12
6G8-81870-00	29 - 17
6G8-81916-00	28 - 13
6J0-81941-10	29 - 12
6G8-81948-02	28 - 27
	29 - 8
6G9-81948-00	28 - 26
6G1-81952-00	29 - 13
6G8-81953-00	29 - 14
6G8-81960-A1	29 - 1
6J8-81960-01	28 - 25
6G8-82105-01	29 - 18
	29 - 28
6G8-82117-00	29 - 19
6G8-82127-00	28 - 17
6G8-82149-00	23 - 19
6G8-82150-00	29 - 20



FLOOD MARINE SERVICES
downloaded from www.yamahauiboardparts.co.uk

PART NO. NO. PIECES	REF. NO.
663-82151-00	29 - 21
6G8-82370-30	28 - 8
6G8-82504-00	28 - 16
6G8-82510-00	30 - 8
703-82510-20	21 - 45
6G8-82522-00	28 - 15
703-82531-00	21 - 46
6H3-82540-00	29 - 22
703-82540-00	21 - 50
6G8-82541-00	30 - 16
703-82542-00	21 - 51
6G8-82550-10	28 - 19
689-82550-11	31 - 1
6A0-82553-20	31 - 2
	31 - 5
	31 - 6
689-82553-10	31 - 6
6G8-82554-00	29 - 23
682-82556-00	21 - 48
	28 - 40
	30 - 5
	31 - 4
6G8-82570-02	30 - 2
6G8-82571-01	30 - 3
6G8-82575-00	28 - 39
688-82575-01	21 - 47
	30 - 4
	31 - 3
689-82575-13	31 - 3
6G8-82580-00	29 - 26
663-82581-01	30 - 6
689-82586-21	21 - 49
688-82586-50	30 - 1
6G8-82590-00	29 - 27
703-82591-00	21 - 54
703-82592-00	21 - 55
6G8-83530-00	30 - 15
6G8-83582-01	28 - 18
	30 - 7
	28 - 41
682-84381-00	28 - 41
6G9-85510-01	26 - 2
6G8-85525-00	28 - 12
6G9-85540-22	28 - 1
6G8-85542-00	28 - 9
6G8-85550-01	26 - 1
6G8-85550-11	26 - 1
6G8-85561-00-94	26 - 3
6G8-85570-21	28 - 4
6G8-85580-02	26 - 5
90101-08M88	14 - 62

NUMERICAL INDEX
INDEX NUMERIQUE

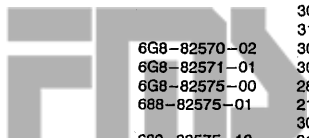
PART NO. NO. PIECES	REF. NO.
90105-06M33	7 - 14
	23 - 16
90105-08M36	1 - 30
90105-08M37	1 - 29
90109-06M25	14 - 9
90116-06M15	4 - 7
90116-06M26	5 - 29
90116-08M28	14 - 44
90119-06M06	14 - 31
90119-06M12	1 - 5
90119-06M55	13 - 4
90119-06M56	13 - 3
90119-08M18	1 - 4
90149-05M05	30 - 11
90157-05M16	10 - 6
	11 - 5
90157-06M04	23 - 32
90159-05M06	17 - 21
90159-06M05	4 - 17
90170-06015	17 - 42
90170-09M03	19 - 9
90170-12066	26 - 20
90170-24M09	6 - 4
90171-10M01	25 - 12
90171-10M07	25 - 17
90179-08M06	24 - 36
90185-08057	14 - 50
	19 - 4
90185-09M01	19 - 10
90185-20M03	16 - 29
90185-22043	14 - 18
90201-06M00	2 - 7
90201-06M31	13 - 17
	14 - 26
90201-06M94	6 - 10
	17 - 10
	16 - 18
90201-06049	16 - 18
90201-08MA4	14 - 65
90201-08M12	14 - 45
90201-10M01	25 - 20
90201-10M02	25 - 18
90201-10M04	19 - 5
90201-10M20	19 - 11
90201-10M63	19 - 7
90201-12472	26 - 21
90201-13201	6 - 8
90201-17682	24 - 40
90201-20M00	16 - 28

PART NO. NO. PIECES	REF. NO.
90201-22M03	14 - 17
90202-06007	16 - 19
90202-10M03	23 - 7
90202-20M33	16 - 30
90206-08M13	13 - 19
90206-10M15	14 - 12
90206-12052	17 - 7
90206-20M14	16 - 27
90209-45M09	14 - 33
90243-04M01	14 - 4
90249-06M20	15 - 11
90250-05010	24 - 45
90266-04M04	12 - 5
90269-02M09	16 - 23
90280-03M01	6 - 7
90280-03024	24 - 20
	33 - 24
90280-05013	26 - 19
90340-08M04	24 - 9
90386-05M54	17 - 11
90386-08M49	13 - 16
90386-10M70	23 - 5
90386-12069	17 - 6
90386-20M94	15 - 8
90386-22M92	14 - 15
90386-22M93	14 - 16
90386-33M56	16 - 26
90386-37M47	14 - 35
90386-37M48	14 - 37
90387-06M09	15 - 1
90387-06M15	13 - 5
90387-06M20	15 - 17
90387-06M58	17 - 26
90387-06M70	28 - 30
	29 - 4
90387-06M71	26 - 18
90387-06M72	13 - 18
90387-06M73	18 - 10
90387-10M06	19 - 6
90387-13M56	3 - 14
90430-08020	24 - 10
	33 - 8
90445-05ME6	13 - 26
90445-09M00	9 - 26
90445-09065	4 - 31
	9 - 6
	9 - 24
	9 - 21
90445-09105	9 - 28

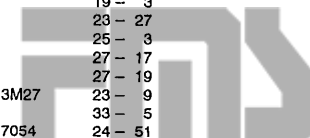
PART NO. NO. PIECES	REF. NO.
90445-09163	13 - 10
90445-09220	1 - 28
90445-10M78	13 - 35
90445-11M52	4 - 30
90445-11M66	1 - 21
90445-24M00	17 - 14
90446-10M02	28 - 20
90460-38M06	14 - 47
90465-08M75	4 - 33
	4 - 36
	28 - 21
90465-13M11	28 - 24
90467-08004	9 - 7
	9 - 22
90467-10M04	13 - 39
90480-09M35	13 - 2
90480-13M24	28 - 31
	29 - 5
90480-15M31	26 - 17
90480-17165	13 - 6
90480-19031	13 - 25
90480-25161	28 - 5
90501-12M40	3 - 15
90501-12M41	3 - 16
90501-14M06	24 - 47
90501-18M00	14 - 25
90501-23M42	16 - 16
90506-26M01	15 - 20
90506-26M07	15 - 20
90508-18M33	15 - 7
91490-16010	13 - 33
	17 - 4
	17 - 46
91490-16012	8 - 29
91490-25020	17 - 37
91490-30020	25 - 13
91490-30030	25 - 13
91790-05020	17 - 44
92902-05100	8 - 20
92902-06200	8 - 28
92903-04100	30 - 10
92903-04600	9 - 13
92903-06100	7 - 11
	8 - 16
	12 - 8
92903-06200	1 - 13
92903-06600	1 - 13
	1 - 15
	1 - 33

PART NO. NO. PIECES	REF. NO.
92903-06600	6 - 24
	6 - 26
	17 - 9
	28 - 23
92903-08600	27 - 22
92990-04100	5 - 23
	5 - 38
	32 - 28
92990-04200	4 - 25
92990-05100	26 - 7
	30 - 13
92990-05200	17 - 5
92990-05600	4 - 15
	7 - 6
	17 - 45
	26 - 8
	30 - 14
92990-06100	5 - 18
	9 - 18
92990-06300	22 - 25
	25 - 6
92990-06600	4 - 3
	9 - 19
	14 - 11
	15 - 4
	15 - 25
	26 - 10
	26 - 12
	28 - 35
	29 - 7
92990-08600	14 - 63
	21 - 34
92995-05600	16 - 9
92995-06100	28 - 37
	29 - 10
92995-06600	4 - 9
	6 - 19
	8 - 41
	13 - 22
	13 - 28
	14 - 41
	14 - 56
	14 - 58
	16 - 12
	16 - 14
	17 - 19
	17 - 40
	18 - 6

PART NO. NO. PIECES	REF. NO.
92995-06600	18 - 8
	18 - 16
	18 - 20
	18 - 23
	23 - 21
	24 - 29
	28 - 3
	28 - 7
	28 - 29
	28 - 34
	28 - 38
	29 - 3
	29 - 11
	29 - 16
	29 - 25
92995-08600	8 - 37
	14 - 43
	19 - 3
	23 - 27
	25 - 3
	27 - 17
	27 - 19
93101-13M27	23 - 9
	33 - 5
93101-17054	24 - 51
	33 - 12
93101-20048	24 - 25
	33 - 10
93101-25M24	2 - 3
	32 - 11
93102-18M21	6 - 12
	32 - 12
93102-30M22	2 - 2
	32 - 10
93210-08M60	23 - 4
	33 - 4
93210-09M01	6 - 16
	6 - 22
	32 - 18
93210-10M61	6 - 15
	32 - 17
93210-11M59	1 - 35
	32 - 6
93210-12M62	7 - 2
93210-13M63	1 - 45
	6 - 17
	32 - 7



FLOOD MARINE SERVICES
downloaded from www.yamahauiboardparts.co.uk



FLOOD MARINE SERVICES
downloaded from www.yamahauiboardparts.co.uk



FLOOD MARINE SERVICES
downloaded from www.yamahauiboardparts.co.uk



FLOOD MARINE SERVICES
downloaded from www.yamahauiboardparts.co.uk



FLOOD MARINE SERVICES
downloaded from www.yamahauiboardparts.co.uk



FLOOD MARINE SERVICES

downloaded from www.yamahaoutboardparts.co.uk

PART NO. NO. PIECES	REF. NO.
93210-16M64	7 - 16
	33 - 3
93210-16275	19 - 12
93210-20M65	9 - 20
93210-24M79	1 - 47
	32 - 8
93210-27ME3	6 - 14
93210-37M67	14 - 36
93210-56M80	24 - 53
	33 - 14
93210-57M09	24 - 52
	33 - 13
93306-00501	24 - 49
93315-314V8	24 - 13
93315-317U2	24 - 50
93332-00005	24 - 12
93341-414V1	24 - 35
93430-04M03	18 - 11
93430-05027	15 - 12
	15 - 19
93430-06024	21 - 10
	21 - 62
	22 - 35
93450-09M01	1 - 24
93450-10M05	25 - 21
93450-15023	2 - 12
93604-08062	24 - 3
93605-15065	14 - 30
93606-12019	23 - 10
	23 - 25
	24 - 27
	25 - 1
93700-06M03	14 - 22
	16 - 5
94701-00282	1 - 48
94701-00300	1 - 48
95023-06025	26 - 4
95303-06700	12 - 7
95333-08700	8 - 11
95380-04600	17 - 29
95380-05600	21 - 7
	30 - 12
95380-06600	21 - 40
	22 - 44
95380-06700	4 - 2
	4 - 10
	14 - 59
	15 - 3

PART NO. NO. PIECES	REF. NO.
95380-06700	16 - 20
	17 - 43
	28 - 32
	29 - 6
95380-10700	23 - 6
95680-06100	14 - 10
95780-08300	14 - 64
95895-06020	25 - 5
97013-06010	7 - 10
97013-06012	28 - 22
97013-06016	6 - 9
	13 - 15
	17 - 8
97013-06025	1 - 12
97013-06030	1 - 14
	6 - 25
	17 - 25
97013-06035	1 - 32
97013-06050	6 - 23
97013-08030	27 - 21
97075-08025	19 - 2
	27 - 16
97075-08030	8 - 36
97075-08035	25 - 2
97080-06018	22 - 22
97095-05012	16 - 8
97095-06008	15 - 24
97095-06010	24 - 7
97095-06012	8 - 40
	14 - 40
	18 - 7
	23 - 20
	29 - 15
	29 - 24
97095-06014	17 - 39
97095-06016	13 - 21
	13 - 27
	17 - 18
	18 - 15
	18 - 19
	18 - 22
	28 - 33
97095-06020	28 - 2
	28 - 10
	28 - 36
	29 - 9
97095-06025	6 - 18
	14 - 28



FLOOD MARINE SERVICES

downloaded from www.yamahaoutboardparts.co.uk

NUMERICAL INDEX
INDEX NUMERIQUE

PART NO. NO. PIECES	REF. NO.
97095-06025	16 - 11
	28 - 6
	28 - 28
	29 - 2
97095-06030	18 - 5
97095-06040	16 - 13
97095-06045	4 - 8
	14 - 55
	24 - 28
	33 - 19
97095-06095	14 - 57
97095-06135	15 - 2
97095-08016	27 - 18
97095-08030	14 - 42
97095-08040	23 - 26
97305-06025	8 - 15
97322-05012	8 - 19
97380-05025	21 - 8
97395-08030	21 - 33
97513-06520	1 - 20
	1 - 41
	23 - 11
97595-06520	9 - 3
	24 - 54
97780-40112	24 - 16
97780-40512	4 - 20
	4 - 24
	4 - 27
	24 - 58
97780-50510	7 - 5
97880-05012	7 - 5
	25 - 8
	26 - 6
	4 - 14
97880-05016	4 - 14
97880-05025	1 - 43
97880-06020	26 - 11
97880-06025	9 - 17
	26 - 9
97880-06030	16 - 17
97890-05006	5 - 32
98503-04014	9 - 12
98507-04010	4 - 28
98580-03015	21 - 38
98580-04006	21 - 36
98580-04010	5 - 37
	21 - 35
98580-04016	5 - 22
	32 - 27
98580-05010	21 - 37

PART NO. NO. PIECES	REF. NO.
98580-05010	22 - 17
	22 - 32
98580-05020	22 - 42
98580-05555	22 - 28
98580-06018	5 - 17
98780-03008	9 - 11
98780-05016	16 - 3
98780-06025	22 - 20
98813-03100	5 - 40
98903-04008	30 - 9
98980-06008	28 - 14
99510-10114	1 - 3
	1 - 31
99530-08012	26 - 13

PART NO. NO. PIECES	REF. NO.
98580-05010	22 - 17
	22 - 32
98580-05020	22 - 42
98580-05555	22 - 28
98580-06018	5 - 17
98780-03008	9 - 11
98780-05016	16 - 3
98780-06025	22 - 20
98813-03100	5 - 40
98903-04008	30 - 9
98980-06008	28 - 14
99510-10114	1 - 3
	1 - 31
99530-08012	26 - 13



FLOOD MARINE SERVICES

downloaded from www.yamahaoutboardparts.co.uk



FLOOD MARINE SERVICES

downloaded from www.yamahaoutboardparts.co.uk



FLOOD MARINE SERVICES

downloaded from www.yamahaoutboardparts.co.uk



FLOOD MARINE SERVICES

downloaded from www.yamahaoutboardparts.co.uk



FLOOD MARINE SERVICES

downloaded from www.yamahaoutboardparts.co.uk