

**PARTS  
CATALOGUE  
CATALOGUE  
DE PIÈCES DÉTACHÉES**

**F15A'98(66M)**

---



FLOOD MARINE SERVICES

downloaded from [www.yamahaoutboardparts.co.uk](http://www.yamahaoutboardparts.co.uk)



FLOOD MARINE SERVICES

downloaded from [www.yamahaoutboardparts.co.uk](http://www.yamahaoutboardparts.co.uk)



FLOOD MARINE SERVICES

downloaded from [www.yamahaoutboardparts.co.uk](http://www.yamahaoutboardparts.co.uk)



FLOOD MARINE SERVICES

downloaded from [www.yamahaoutboardparts.co.uk](http://www.yamahaoutboardparts.co.uk)



FLOOD MARINE SERVICES

downloaded from [www.yamahaoutboardparts.co.uk](http://www.yamahaoutboardparts.co.uk)



FLOOD MARINE SERVICES

downloaded from [www.yamahaoutboardparts.co.uk](http://www.yamahaoutboardparts.co.uk)



FLOOD MARINE SERVICES

downloaded from [www.yamahaoutboardparts.co.uk](http://www.yamahaoutboardparts.co.uk)



FLOOD MARINE SERVICES

downloaded from [www.yamahaoutboardparts.co.uk](http://www.yamahaoutboardparts.co.uk)



FLOOD MARINE SERVICES

downloaded from [www.yamahaoutboardparts.co.uk](http://www.yamahaoutboardparts.co.uk)

**FMS**

FLOOD MARINE SERVICES

downloaded from [www.yamahaoutboardparts.co.uk](http://www.yamahaoutboardparts.co.uk)

**FMS**

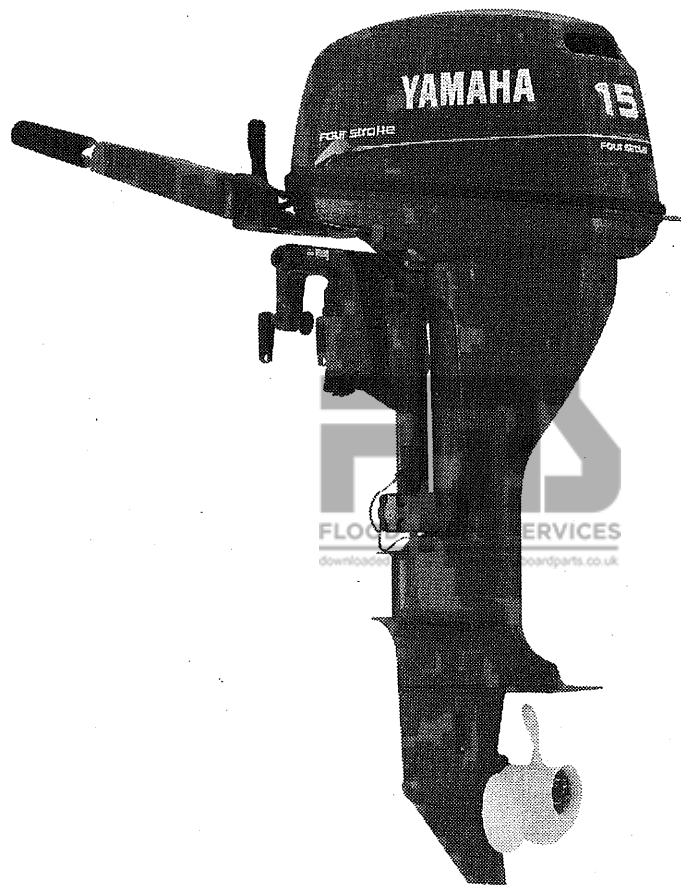
FLOOD MARINE SERVICES

downloaded from [www.yamahaoutboardparts.co.uk](http://www.yamahaoutboardparts.co.uk)

**FMS**

FLOOD MARINE SERVICES

downloaded from [www.yamahaoutboardparts.co.uk](http://www.yamahaoutboardparts.co.uk)



**FMS**

FLOOD MARINE SERVICES

downloaded from [www.yamahaoutboardparts.co.uk](http://www.yamahaoutboardparts.co.uk)

**FMS**

FLOOD MARINE SERVICES

downloaded from [www.yamahaoutboardparts.co.uk](http://www.yamahaoutboardparts.co.uk)

**FMS**

FLOOD MARINE SERVICES

downloaded from [www.yamahaoutboardparts.co.uk](http://www.yamahaoutboardparts.co.uk)

**FMS**

FLOOD MARINE SERVICES

downloaded from [www.yamahaoutboardparts.co.uk](http://www.yamahaoutboardparts.co.uk)

**FMS**

FLOOD MARINE SERVICES

downloaded from [www.yamahaoutboardparts.co.uk](http://www.yamahaoutboardparts.co.uk)

**FMS**

FLOOD MARINE SERVICES

downloaded from [www.yamahaoutboardparts.co.uk](http://www.yamahaoutboardparts.co.uk)

This Parts Catalogue is related to the parts for the model(s) in the below frame. When you are ordering replacement parts, please refer to this Parts Catalogue and quote both part numbers and part names correctly.

F15A'98(66M)

1. Modifications or additions which have been made after issue of the Parts Catalogue will be announced in the Yamaha Parts News.  
It is advisable that you make necessary corrections to the Parts Catalogue according to the Yamaha Parts News.

2. Abbreviations

The Following abbreviations are used in this Parts Catalogue.

- "UR" Use specified parts number.
- "UN" Use as many as needed.
- "AP" Alternate Parts
- "LM" Local Made  
(Parts need to be ordered locally)
- "O/S" Over Size

3. Parts, which are to be supplied in an assembly, are listed with a dot(.) in front of the part name as shown below.

EXAMPLE

- CARBURETOR ASSY
- .JET, PILOT
- .NOZZLE, MAIN

4. Number of component for assembly

The numeral appearing to the right of each component part indicates the quantity of parts for each assembly unit.

EXAMPLE

| PART NO.         | DESCRIPTION         | w | u | h | REMARKS |
|------------------|---------------------|---|---|---|---------|
| 6E0-85500-70     | C.D.I. MAGNETO ASSY | 1 |   |   |         |
| 6E0-85550-70     | .ROTOR ASSY         | 1 |   |   |         |
| 6E0-15723-00-94. | PULLY, STARTER      | 1 |   |   |         |

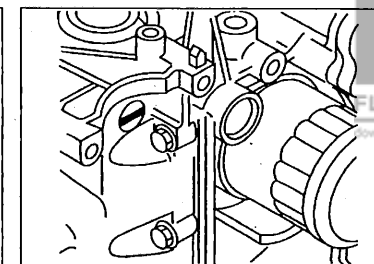
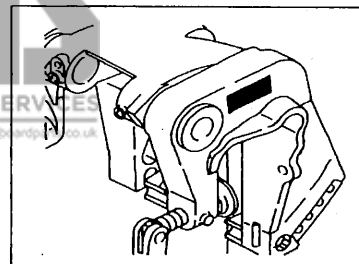
5. Quantity Column Information

| Indiquation concernant la quantided | Applications modèle |
|-------------------------------------|---------------------|
| MH                                  | F15AMH              |
| EH                                  | F15AEH              |
| E                                   | F15AE               |

6. Applicable Serial No. and Color Code

1) Engine Sserial No.

|        |                              |       |                              |
|--------|------------------------------|-------|------------------------------|
| F15AMH | S : 000101 ~<br>L : 300101 ~ | F15AE | S : 100101 ~<br>L : 400101 ~ |
| F15AEH | S : 200101 ~<br>L : 500101 ~ |       |                              |



2) Color Code

| Color Code | Color Name                  | Abbreviation |
|------------|-----------------------------|--------------|
| 004D       | DARK BLUISH GRAY METALLIC 2 | DBNM2        |

7. Note that the illustrations for reference in funding parts numbers, not to be used for assembling. When assembling, pleas use the applicable service manual.
8. The asterisk (\*) before a reference number indicates modification items after the first edition.

AVANT-PROPOS

Ce Catalogue de pièces détachées concerne les pièces pour le(s) modèle(s) indiqué(s) dans le cadre ci-dessous. Lorsque vous commandez des pièces de rechange, veuillez vous référer à ce catalogue de pièces détachées et indiquer clairement les numéros et les noms des pièces détachées.

F15A'98(66M)

1. Les modifications ou ajouts ayant été effectués après la parution du catalogue de pièces détachées seront décrits dans les Bulletins d'information Yamaha concernant les pièces détachées. Il est recommandé que vous apportiez les corrections nécessaires au catalogue des pièces détachées en vous référant aux Bulletins d'information Yamaha.

2. Abréviations

Dans ce catalogue, les abréviations suivantes sont utilisées:

"UR" Utiliser le numéro des pièces.

"UN" Utiliser autant que nécessaire.

"AP" Pièces de substitution

"LM" Fabrication locale (les pièces doivent être commandées localement.)

3. Dans ce catalogue, les pièces qui sont fournies dans un ensemble sont précédées d'un point (.) de la manière indiquée ci-dessous.

EXEMPLE

ENS CARBURATEUR

.GICLEUR, ralenti

.PUITS D'AIGUILLE

4. Nombre de pièces composant un ensemble

Le chiffre apparaissant à la droite de chaque description indique la quantité de pièces pour chaque ensemble de pièces.

EXEMPLE

| NO. PIECES      | DESCRIPTION           | U | EH | EHT | REMARQUES |
|-----------------|-----------------------|---|----|-----|-----------|
| 6E0-85500-70    | MAGNETO C.D.I. CPLT   | 1 |    |     |           |
| 6E0-85550-70    | .ROTOR CPLT           | 1 |    |     |           |
| 6E0-15723-00-94 | ..POULIE DE DEMARREUR | 1 |    |     |           |

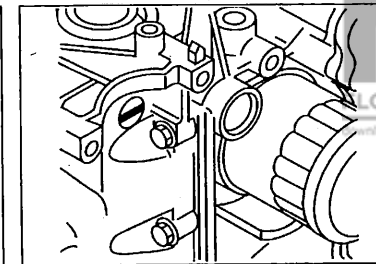
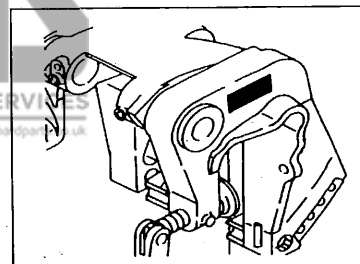
5. Indication concernant la quantité

| Indication concernant la quantité | Applications modèle |
|-----------------------------------|---------------------|
| MH                                | F15AMH              |
| EH                                | F15AEH              |
| E                                 | F15AE               |

6. Applications No de série et code couleur correspondants

1) No. de série du moteur

|        |                              |       |                              |
|--------|------------------------------|-------|------------------------------|
| F15AMH | S : 000101 ~<br>L : 300101 ~ | F15AE | S : 100101 ~<br>L : 400101 ~ |
| F15AEH | S : 200101 ~<br>L : 500101 ~ |       |                              |



2) Code couleur

| Code couleur | Nom de couleur              | Abréviation |
|--------------|-----------------------------|-------------|
| 004D         | DARK BLUISH GRAY METALLIC 2 | DBNM2       |

7. Veuillez noter que les illustrations sont indiquées pour référence pour trouver les numéros de pièces, non pour être utilisées lors de l'assemblage. Lors de l'assemblage, veuillez utiliser le manuel d'entretien adéquat.

8. L'astérisque (\*) placé devant un numéro de référence. indique des éléments qui ont été modifiés après la première édition.

SHEET 1/2

|                                   |    |
|-----------------------------------|----|
| CYLINDER. CRANKCASE .....         | A4 |
| CYLINDER. CRANKCASE 2 .....       | A6 |
| CRANKSHAFT. PISTON .....          | A7 |
| VALVE .....                       | B1 |
| INTAKE .....                      | B2 |
| CARBURETOR .....                  | B3 |
| OIL PUMP .....                    | B5 |
| OIL PAN .....                     | B6 |
| STARTER .....                     | B7 |
| FUEL .....                        | C2 |
| FUEL 2 .....                      | C4 |
| TOP COWLING .....                 | C5 |
| BOTTOM COWLING .....              | C6 |
| BRACKET 1 .....                   | D1 |
| BRACKET 2 .....                   | D3 |
| STEERING .....                    | D4 |
| STEERING 2 .....                  | D6 |
| CONTROL .....                     | D7 |
| STEERING GUIDE ATTACHMENT 1 ..... | E2 |
| REMOTE CONTROL ASSY 1 .....       | E3 |
| UPPER CASING .....                | E4 |
| LOWER CASING. DRIVE 1 .....       | E5 |
| LOWER CASING. DRIVE 2 .....       | F1 |
| GENERATOR .....                   | F2 |
| STARTING MOTOR .....              | F3 |
| ELECTRICAL 1 .....                | F4 |
| ELECTRICAL 2 .....                | F6 |
| REPAIR KIT 1 .....                | F7 |

INDEX

|                       |    |
|-----------------------|----|
| NUMERICAL INDEX ..... | G1 |
|-----------------------|----|

# CONTENTS

SHEET 2/2

|                    |     |
|--------------------|-----|
| REPAIR KIT 2 ..... | A4* |
| REPAIR KIT 3 ..... | A5* |

INDEX

|                       |     |
|-----------------------|-----|
| NUMERICAL INDEX ..... | G1* |
|-----------------------|-----|

SHEET 1/2

|                                      |    |
|--------------------------------------|----|
| CYLINDRE. CARTER .....               | A4 |
| CYLINDRE. CARTER 2 .....             | A6 |
| VILEBREQUIN. PISTON .....            | A7 |
| SOUPAPE .....                        | B1 |
| ADMISSION .....                      | B2 |
| CARBURATEUR .....                    | B3 |
| POMPE A HUILE .....                  | B5 |
| VENTILATEUR D'HUILE .....            | B6 |
| DEMARREUR .....                      | B7 |
| CARBURANT .....                      | C2 |
| CARBURANT 2 .....                    | C4 |
| CAPOT SUPERIEUR .....                | C5 |
| CAPOT INFERIEUR .....                | C6 |
| SUPPORT 1 .....                      | D1 |
| SUPPORT 2 .....                      | D3 |
| DIRECTION .....                      | D4 |
| DIRECTION 2 .....                    | D6 |
| COMMANDE .....                       | D7 |
| DIRECTION GUIDE ACCESSOIRE 1 .....   | E2 |
| BOITIER DE COMMANDE A DISTANCE ..... | E3 |
| FOURREAU .....                       | E4 |
| BOITIER D'HELICE, TRANSMISSION ..... | E5 |
| BOITIER D'HELICE, TRANSMISSION ..... | F1 |
| GENERATRICE .....                    | F2 |
| DEMARREUR ELECTRIQUE .....           | F3 |
| PARTIE ELECTRIQUE 1 .....            | F4 |
| PARTIE ELECTRIQUE 2 .....            | F6 |
| KITS DE REPARATION 1 .....           | F7 |

**INDEX**

|                       |    |
|-----------------------|----|
| NUMERICAL INDEX ..... | G1 |
|-----------------------|----|

# TABLE DES MATIERES

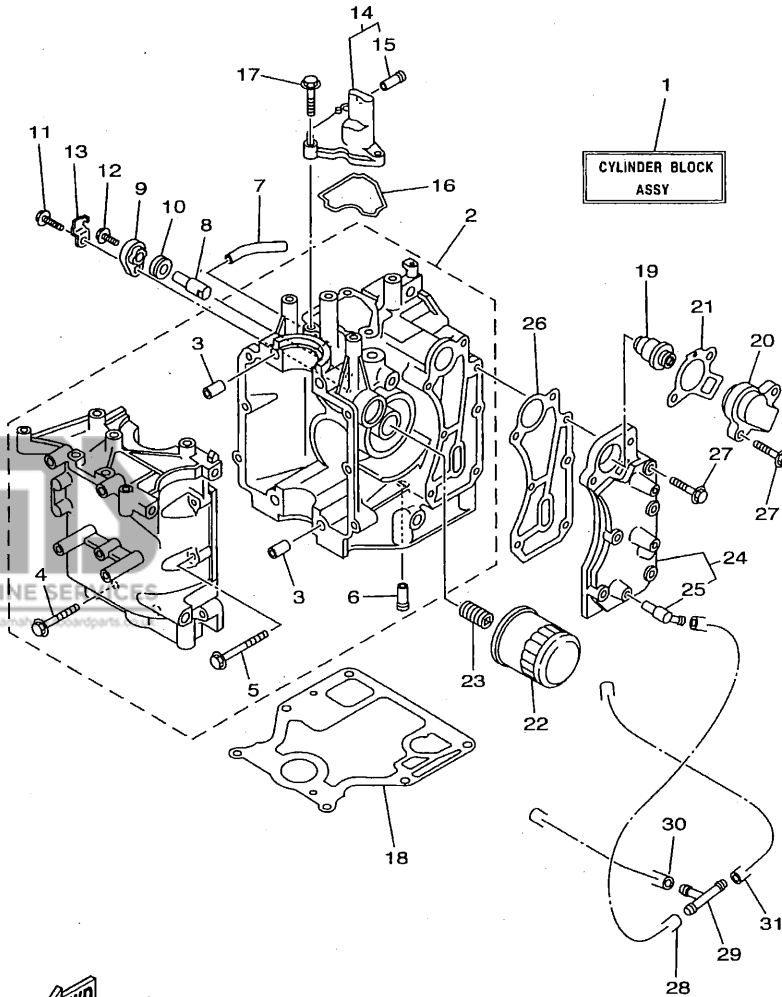
SHEET 2/2

|                            |     |
|----------------------------|-----|
| KITS DE REPARATION 2 ..... | A4* |
| KITS DE REPARATION 3 ..... | A5* |

**INDEX**

|                       |     |
|-----------------------|-----|
| NUMERICAL INDEX ..... | G1* |
|-----------------------|-----|

**FIG. 1 CYLINDER. CRANKCASE CYLINDRE. CARTER**



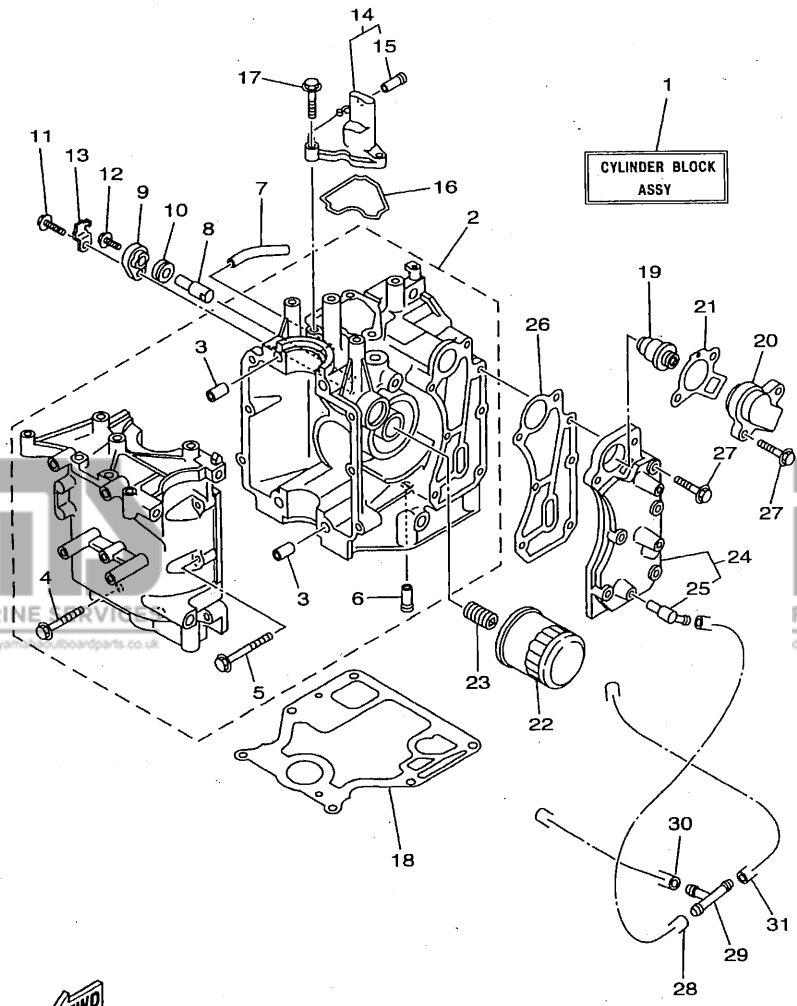
**FWD**  
66MJA-8010

| REF. NO. | PART NO. SE NO. | DESCRIPTION DESCRIPTION   | MH | EH | W | REMARKS REMARQUES |
|----------|-----------------|---|----|----|---|-------------------|
| 1        | 66M-W009B-00-4D | CYLINDER BLOCK ASSY<br>CYLINDRE GROUPE (ENS.)<br>(REF.NO. 2~28, FIG.2, REF.NO. 5,<br>FIG.3, REF.NO. 1~11, FIG.7, REF.NO. 7~10,<br>FIG.8, REF.NO. 18, FIG.24, REF.NO. 8,<br>FIG.26, REF.NO. 8) | 1  | 1  | 1 |                   |
| 2        | 66M-15100-00-94 | CRANKCASE ASSY<br>CARTER DE MOTEUR COMPLET  | 1  | 1  | 1 |                   |
| 3        | 99510-10114     | .PIN, DOWEL<br>.GOUJON, D'ASSEMBLAGE  | 2  | 2  | 2 |                   |
| 4        | 90119-08M20     | .BOLT, WITH WASHER<br>.BOULON, AVEC RONDELLE  | 4  | 4  | 4 |                   |
| 5        | 90119-06M14     | .BOLT, WITH WASHER<br>.BOULON, AVEC RONDELLE  | 6  | 6  | 6 |                   |
| 6        | 6E5-24377-00    | .PIPE, JOINT 3<br>.DURITE RACCORDEMENT  | 1  | 1  | 1 |                   |
| 7        | 90445-10M46     | HOSE<br>DURITE  | 1  | 1  | 1 |                   |
| 8        | 66M-11325-00    | ANODE<br>ANODE  | 1  | 1  | 1 |                   |
| 9        | 66M-11327-00-94 | COVER, ANODE<br>COUVERCLE   | 1  | 1  | 1 |                   |
| 10       | 66M-11328-00    | GROMMET, ANODE<br>PASSE-FIL   | 1  | 1  | 1 |                   |
| 11       | 97513-06520     | BOLT, WITH WASHER<br>VIS HEXAGONAL  | 1  | 1  | 1 |                   |
| 12       | 97595-05512     | BOLT, WITH WASHER<br>VIS HEXAGONAL  | 1  | 1  | 1 |                   |
| 13       | 66M-12535-00    | PLATE<br>PLAQUE   | 1  | 1  | 1 |                   |
| 14       | 66M-11168-00-94 | COVER, BREATHER<br>COUVERCLE, RENIFLARD   | 1  | 1  | 1 |                   |
| 15       | 6E5-24377-00    | .PIPE, JOINT 3<br>.DURITE RACCORDEMENT  | 1  | 1  | 1 |                   |
| 16       | 66M-11357-00    | SEAL, CYLINDER 3<br>JOINT, SPY CYLINDRE   | 1  | 1  | 1 |                   |
| 17       | 97513-06520     | BOLT, WITH WASHER<br>VIS HEXAGONAL  | 3  | 3  | 3 |                   |
| 18       | 66M-11351-00    | GASKET, CYLINDER<br>JOINT, D'EMBASE   | 1  | 1  | 1 |                   |
| 19       | 66M-12411-00    | THERMOSTAT<br>THERMOSTAT  | 1  | 1  | 1 |                   |
| 20       | 6H3-12413-00    | COVER, THERMOSTAT<br>COUVERCLE, THERMOSTAT  | 1  | 1  | 1 |                   |
| 21       | 62Y-12414-00    | GASKET, COVER<br>JOINT, COUVERCLE   | 1  | 1  | 1 |                   |
| 22       | 3FV-13440-00    | ELEMENT ASSY, OIL CLEANER<br>ELEMENT, FILTRE A HUILE  | 1  | 1  | 1 |                   |
| 23       | 90401-20M00     | BOLT, UNION<br>BOULON, RACCORD  | 1  | 1  | 1 |                   |
| 24       | 66M-41113-00-9M | OUTER COVER, EXHAUST<br>COUVERCLE, ECHAPPEMENT  | 1  | 1  | 1 |                   |
| 25       | 676-11372-00    | .NIPPLE, HOSE<br>.RACCORD, TUYAU  | 1  | 1  | 1 |                   |

**A4**



FIG. 1 CYLINDER. CRANKCASE CYLINDRE. CARTER



**FWD**  
66MJA-8010

| REF. NO. | PART NO. NO. PIECES | DESCRIPTION DESCRIPTION                                    | MH | EH | W | REMARKS REMARQUES |
|----------|---------------------|--|----|----|---|-------------------|
| 26       | 66M-41114-00        | GASKET, EXHAUST OUTER COVER JOINT, COUVERCLE D'ECHAPPEMENT | 1  | 1  | 1 |                   |
| 27       | 97513-06530         | BOLT, WITH WASHER VIS HEXAGONAL                            | 7  | 7  | 7 |                   |
| 28       | 90445-09061         | HOSE DURITE  | 1  | 1  | 1 |                   |
| 29       | 688-24378-00        | PIPE, JOINT 4 DURITE RACCORDEMENT 4                        | 1  | 1  | 1 |                   |
| 30       | 90445-09086         | HOSE DURITE  | 1  | 1  | 1 |                   |
| 31       | 90445-09105         | HOSE DURITE  | 1  | 1  | 1 |                   |

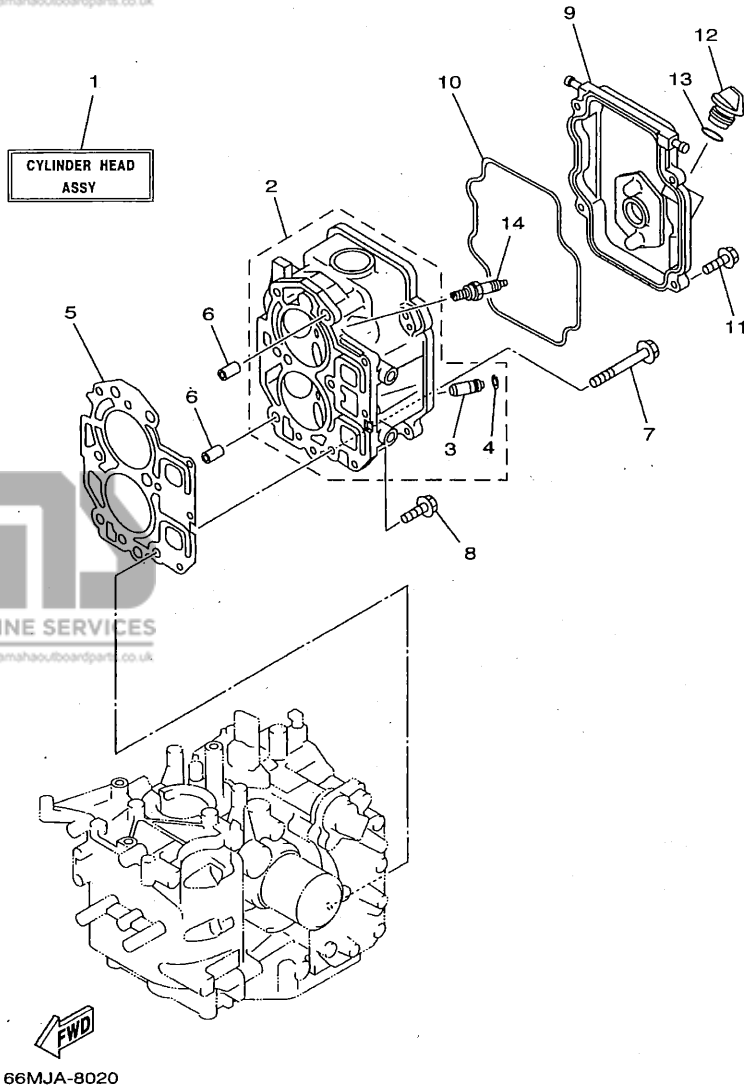
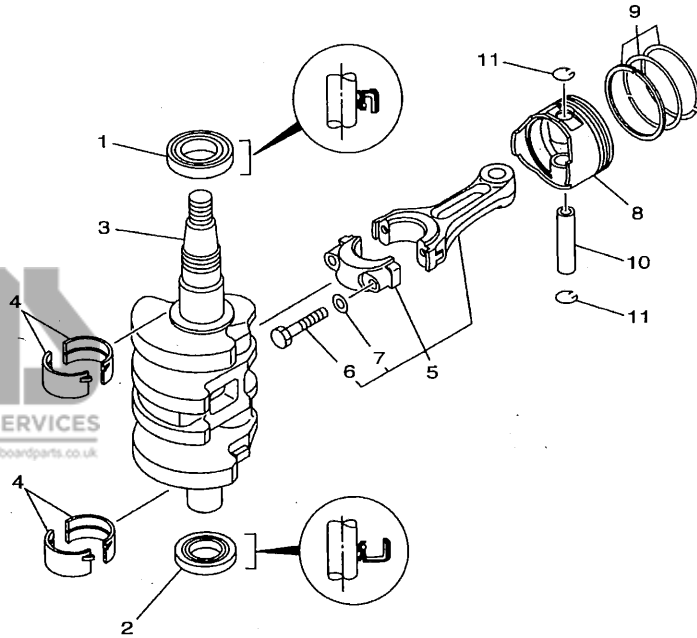


FIG. 2 CYLINDER. CRANKCASE 2 CYLINDRE. CARTER 2

| REF. NO. | PART NO. NO. PIECES | DESCRIPTION DESCRIPTION  | M/H | E/H | W | REMARKS<br>REMARQUES |
|----------|---------------------|--|-----|-----|---|----------------------|
| 1        | 66M-W009A-00-4D     | CYLINDER HEAD ASSY<br>CULASSE (ENS.)<br>(REF.NO. 2-5, 9-13,<br>FIG.4, REF.NO. 1-14,<br>FIG.7, REF.NO. 1-6, 10, 15-18 ) | 1   | 1   | 1 |                      |
| 2        | 66M-11111-00-94     | HEAD, CYLINDER 1<br>CULASSE  | 1   | 1   | 1 |                      |
| 3        | 66M-11133-10        | .GUIDE, INTAKE VALVE<br>.GUIDE, SOUP D'ADM   | 1   | 1   | 1 |                      |
| 4        | 93450-09M01         | .CIRCLIP<br>.CIRCLIP, TYPE S   | 4   | 4   | 4 |                      |
| 5        | 66M-11181-00        | GASKET, CYLINDER HEAD 1<br>JOINT, DE CULASSE 1   | 1   | 1   | 1 |                      |
| 6        | 99510-10114         | PIN, DOWEL<br>GOUJON, D'ASSEMBLAGE   | 2   | 2   | 2 |                      |
| 7        | 90105-08M78         | BOLT, WASHER BASED<br>BOULON, AVEC RONDELLE  | 6   | 6   | 6 |                      |
| 8        | 97513-06525         | BOLT, WITH WASHER<br>VIS HEXAGONAL   | 3   | 3   | 3 |                      |
| 9        | 66M-11191-00-94     | COVER, CYLINDER HEAD 1<br>COUVERCLE, CULASSE 1   | 1   | 1   | 1 |                      |
| 10       | 66M-11356-00        | SEAL, CYLINDER 2<br>JOINT, SPY CYLINDRE  | 1   | 1   | 1 |                      |
| 11       | 97513-06520         | BOLT, WITH WASHER<br>VIS HEXAGONAL   | 4   | 4   | 4 |                      |
| 12       | 6G8-15363-00        | PLUG, OIL<br>PLOT, HUILE   | 1   | 1   | 1 |                      |
| 13       | 93210-24M79         | O-RING<br>JOINT TORIQUE  | 1   | 1   | 1 |                      |
| 14       | 94701-00375         | PLUG, SPARK (NGK DPR6EA-9)<br>BOUGIE D'ALLUMAGE(NGK DPR6EA-9)  | 2   | 2   | 2 |                      |



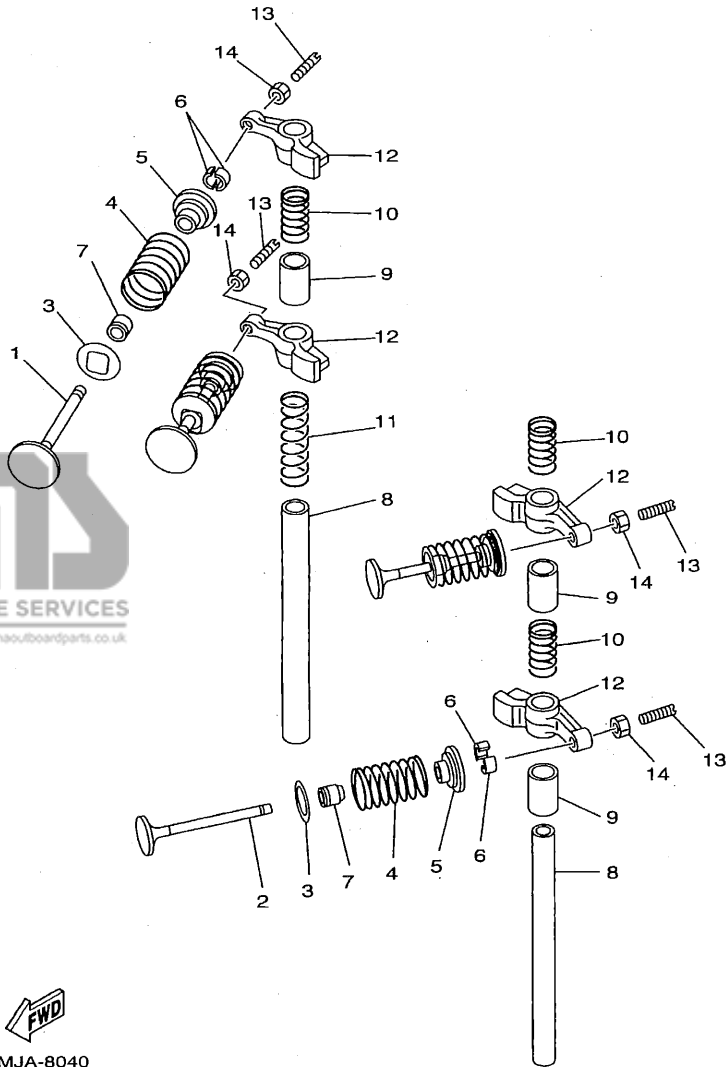
**FWD**  
66MJA-8030

**FIG. 3 CRANKSHAFT. PISTON**

**VILEBREQUIN. PISTON**

| REF. NO. | PART NO. NO. PIECES | DESCRIPTION DESCRIPTION                                   | MH | EH | EU | REMARKS REMARQUES |
|----------|---------------------|---|----|----|----|-------------------|
| 1        | 93102-35M51S        | OIL SEAL JOINT SPY  | 1  | 1  | 1  |                   |
| 2        | 93102-25M52         | OIL SEAL JOINT SPY  | 1  | 1  | 1  |                   |
| 3        | 66M-11411-00        | CRANKSHAFT VILEBREQUIN COMPLET                            | 1  | 1  | 1  |                   |
| 4        | 66M-11416-00        | PLANE BEARING, CRANKSHAFT 1 COUSSINET DE VILEBREQUIN      | 4  | 4  | 4  | UR BROWN BRUN     |
|          | 66M-11416-10        | PLANE BEARING, CRANKSHAFT 1 COUSSINET DE VILEBREQUIN      | 4  | 4  | 4  | UR BLACK NOIR     |
|          | 66M-11416-20        | PLANE BEARING, CRANKSHAFT 1 COUSSINET DE VILEBREQUIN      | 4  | 4  | 4  | UR BLUE BLEU      |
| 5        | 66M-11650-00        | CONNECTING ROD ASSY BIELLE COMPLETE                       | 2  | 2  | 2  |                   |
| 6        | 66M-11654-00        | BOLT, CONNECTING ROD BOULON, BIELLE                       | 2  | 2  | 2  |                   |
| 7        | 90201-07M01         | WASHER, PLATE RONDELLE, PLATE                             | 2  | 2  | 2  |                   |
| 8        | 66M-11631-00-96     | PISTON (STD) PISTON (STD)                                 | 2  | 2  | 2  |                   |
|          | 66M-11635-00        | PISTON (0.25MM O/S) PISTON (0.25MM O/S)                   | 2  | 2  | 2  | AP                |
|          | 66M-11636-00        | PISTON (0.50MM O/S) PISTON (0.50MM O/S)                   | 2  | 2  | 2  | AP                |
| 9        | 66M-11603-00        | PISTON RING SET (STD) JUE DE SEGMENTS (STD)               | 2  | 2  | 2  |                   |
|          | 66M-11604-00        | PISTON RING SET (0.25MM O/S) JUE DE SEGMENTS (0.25MM O/S) | 2  | 2  | 2  | AP                |
|          | 66M-11605-00        | PISTON RING SET (0.50MM O/S) JUE DE SEGMENTS (0.50MM O/S) | 2  | 2  | 2  | AP                |
| 10       | 634-11633-00        | PIN, PISTON AXE, PISTON                                   | 2  | 2  | 2  |                   |
| 11       | 93450-15023         | CIRCLIP CIRCLIP, TYPE S                                   | 4  | 4  | 4  |                   |

**A7**



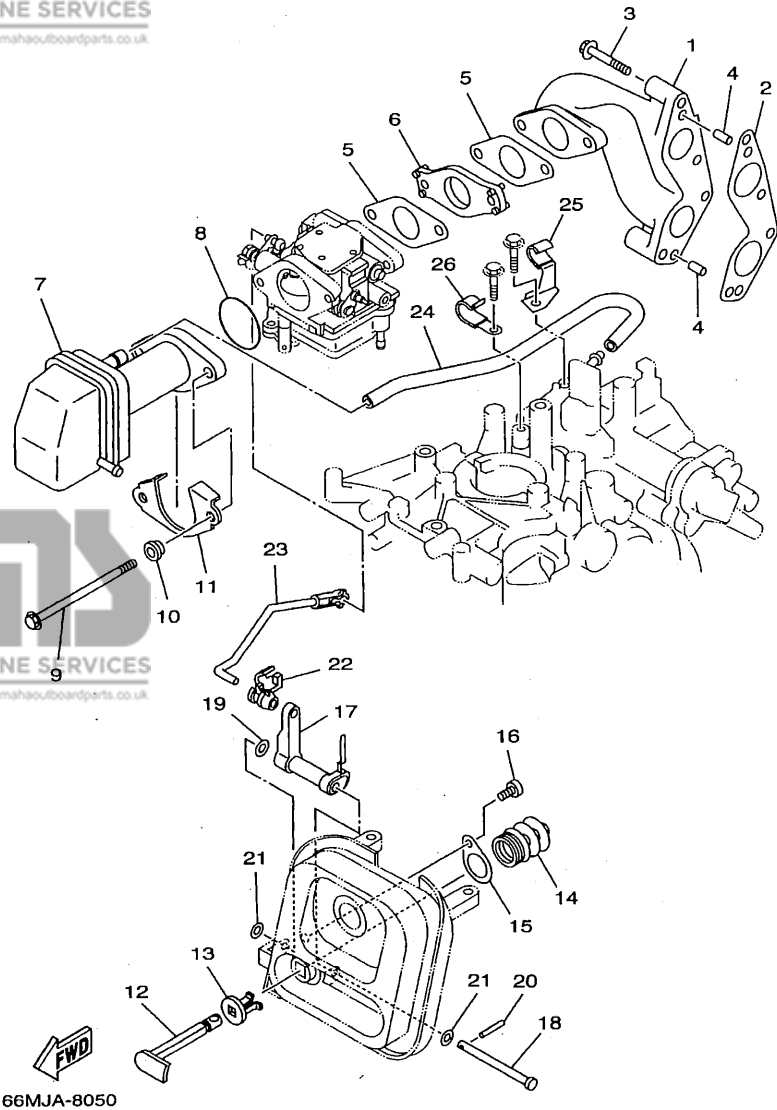
**FWD**  
66MJA-8040

**FIG. 4 VALVE**

**SOUPAPE**

| REF. NO. | PART NO. SERIE | DESCRIPTION DESCRIPTION                               | MH | HE | W | REMARKS REMARQUES |
|----------|----------------|---|----|----|---|-------------------|
| 1        | 66M-12111-00   | VALVE, INTAKE<br>SOUPAPE, ADMISSION                   | 2  | 2  | 2 |                   |
| 2        | 66M-12121-00   | VALVE, EXHAUST<br>SOUPAPE, ECHAPPEMENT                | 2  | 2  | 2 |                   |
| 3        | 66M-12116-00   | SEAT, VALVE SPRING<br>SIEGE, RESSORT DE SOUPAPE       | 4  | 4  | 4 |                   |
| 4        | 66M-12113-00   | SPRING, VALVE INNER<br>RESSORT DE SOUPAPE, INTERNE    | 4  | 4  | 4 |                   |
| 5        | 30X-12117-00   | RETAINER, VALVE SPRING<br>BUTEE DE RESSORT DE SOUPAPE | 4  | 4  | 4 |                   |
| 6        | 30X-12118-00   | COTTER, VALVE<br>FRAISE, SOUPAPE                      | 8  | 8  | 8 |                   |
| 7        | 51Y-12119-00   | SEAL, VALVE STEM<br>JOINT, QUEUE DE SOUPAPE           | 4  | 4  | 4 |                   |
| 8        | 66M-12146-00   | SHAFT, ROCKER<br>AXE, CULBUTEUR                       | 2  | 2  | 2 |                   |
| 9        | 90387-13M56    | COLLAR<br>COLLERETTE                                  | 3  | 3  | 3 |                   |
| 10       | 90501-12M40    | SPRING, COMPRESSION<br>RESSORT, COMPRESSION           | 3  | 3  | 3 |                   |
| 11       | 90501-12M41    | SPRING, COMPRESSION<br>RESSORT, COMPRESSION           | 1  | 1  | 1 |                   |
| 12       | 66M-12151-00   | ARM, VALVE ROCKER<br>CULBUTEUR                        | 4  | 4  | 4 |                   |
| 13       | 62Y-12159-00   | SCREW, VALVE ADJUSTING<br>VIS, REGLAGE DE SOUPAPE     | 4  | 4  | 4 |                   |
| 14       | 62Y-12158-00   | NUT, LOCK<br>CONTRE-ECROU                             | 4  | 4  | 4 |                   |

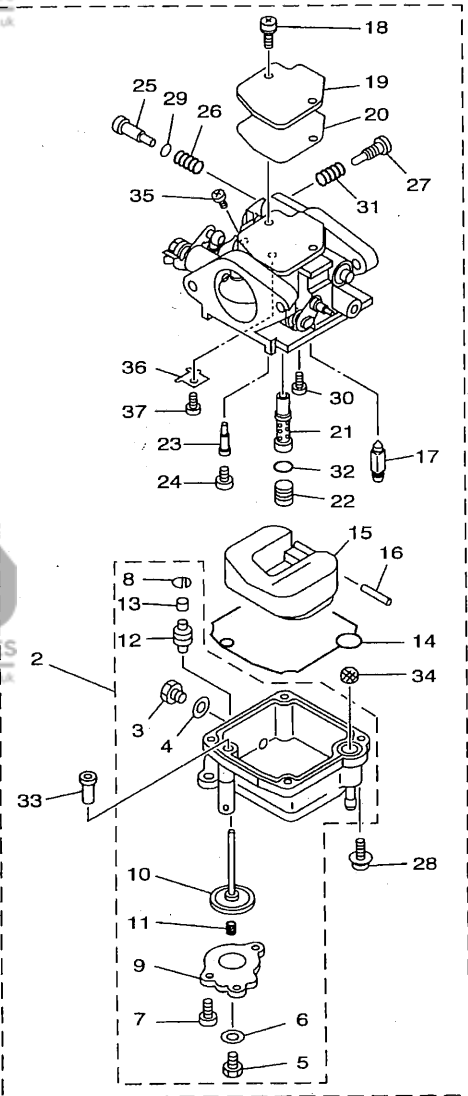
**B1**



**FIG. 5 INTAKE**

**ADMISSION**

| REF. NO. | PART NO. NO. PIECES | DESCRIPTION DESCRIPTION                        | MH | EH | W | REMARKS REMARQUES |
|----------|---------------------|--|----|----|---|-------------------|
| 1        | 66M-13641-00-94     | MANIFOLD 1<br>TUBULURE 1                       | 1  | 1  | 1 |                   |
| 2        | 66M-13645-00        | GASKET, MANIFOLD 1<br>JOINT, TUBULURE 1        | 1  | 1  | 1 |                   |
| 3        | 97595-06540         | BOLT, WITH WASHER<br>VIS HEXAGONAL             | 4  | 4  | 4 |                   |
| 4        | 93606-12019         | PIN, DOWEL<br>GOUJON                           | 2  | 2  | 2 |                   |
| 5        | 66M-13646-00        | GASKET, MANIFOLD 2<br>JOINT, TUBULURE 2        | 2  | 2  | 2 |                   |
| 6        | 66M-14271-00        | INSULATOR<br>ISOLATEUR                         | 1  | 1  | 1 |                   |
| 7        | 66M-14440-00        | SILENCER ASSY, INTAKE<br>SIENCIEUX D'ADMISSION | 1  | 1  | 1 |                   |
| 8        | 93210-35M86         | O-RING<br>JOINT TORIQUE                        | 1  | 1  | 1 |                   |
| 9        | 90119-06M76         | BOLT, WITH WASHER<br>BOULON, AVEC RONDELLE     | 2  | 2  | 2 |                   |
| 10       | 90387-06M79         | COLLAR<br>COLLERETTE                           | 2  | 2  | 2 |                   |
| 11       | 66M-14477-00        | PLATE<br>PLAQUE                                | 1  | 1  | 1 |                   |
| 12       | 66M-41271-00        | KNOB, CHOKE<br>BOUTON DE STARTER               | 1  | 1  | 1 |                   |
| 13       | 689-41273-00        | GROMMET<br>PASSE-FIL                           | 1  | 1  | 1 |                   |
| 14       | 66M-41292-00        | BUSH 2<br>BAGUE 2                              | 1  | 1  | 1 |                   |
| 15       | 66M-41298-00        | WASHER 2<br>RONDELLE 2                         | 1  | 1  | 1 |                   |
| 16       | 97780-50510         | SCREW, TAPPING<br>VIS, TETE FRAISEE            | 1  | 1  | 1 |                   |
| 17       | 66M-41252-00        | LEVER, CHOKE 1<br>LEVIER 1                     | 1  | 1  | 1 |                   |
| 18       | 90240-05M20         | PIN, CLEVIS<br>BOULON, A GOUPILLE              | 1  | 1  | 1 |                   |
| 19       | 90206-05005         | WASHER, WAVE<br>RONDELLE, ONDULEE              | 1  | 1  | 1 |                   |
| 20       | 91690-20016         | PIN, SPRING<br>GOUPILLE, ELASTIQUE             | 1  | 1  | 1 |                   |
| 21       | 90202-05088         | WASHER, PLATE<br>RONDELLE, PLATE               | 2  | 2  | 2 |                   |
| 22       | 6R5-41237-00        | JOINT, LINK<br>RACCORD                         | 1  | 1  | 1 |                   |
| 23       | 66M-41256-00        | ROD, CHOKE 1<br>TRINGLE 1, STARTER             | 1  | 1  | 1 |                   |
| 24       | 66M-15373-00        | PIPE, BREATHER<br>DURITE DE RENIFLARD          | 1  | 1  | 1 |                   |
| 25       | 90465-08M71         | CLAMP<br>BRIDE                                 | 1  | 1  | 1 |                   |
| 26       | 90465-08M72         | CLAMP<br>BRIDE                                 | 1  | 1  | 1 |                   |



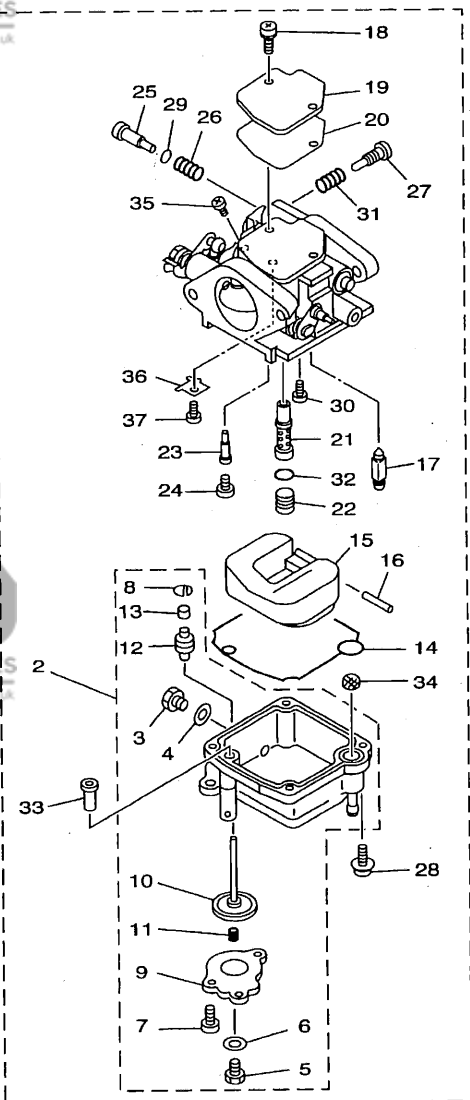
**FWD**  
66MJA-8060

**FIG. 6 CARBURETOR**

**CARBURATEUR**

| REF. NO. | PART NO. NO. PIECES | DESCRIPTION DESCRIPTION                                 | MH | EH | U | REMARKS REMARQUES |
|----------|---------------------|---|----|----|---|-------------------|
| 1        | 66M-14301-00        | CARBURETOR ASSY 1<br>CARBURATEUR COMPLET                | 1  | 1  | 1 |                   |
| 2        | 66M-14381-00        | .BODY, FLOAT CHAMBER<br>.CORPS, CUVE DE FLOTTEUR        | 1  | 1  | 1 |                   |
| 3        | 62Y-14383-00        | .SCREW, DRAIN<br>.BOUCHON, PURGE                        | 1  | 1  | 1 |                   |
| 4        | 66M-14398-00        | .GASKET<br>.JOINT                                       | 1  | 1  | 1 |                   |
| 5        | 677-14383-01        | .SCREW, DRAIN<br>.BOUCHON, PURGE                        | 1  | 1  | 1 |                   |
| 6        | 6L2-14398-00        | .GASKET<br>.JOINT                                       | 1  | 1  | 1 |                   |
| 7        | 66M-14325-00        | .SCREW, PAN HEAD<br>.VIS TETE CONIQUE                   | 3  | 3  | 3 |                   |
| 8        | 66M-14377-00        | .STOPPER<br>.BUTEE                                      | 1  | 1  | 1 |                   |
| 9        | 66M-14958-00        | .COVER, DIAPHRAGM<br>.COUVERCLE, DIAPHRAGME             | 1  | 1  | 1 |                   |
| 10       | 66M-14368-00        | .DIAPHRAGM ASSY 1<br>.DIAPHRAGME 1                      | 1  | 1  | 1 |                   |
| 11       | 6G8-14275-02        | .SPRING<br>.RESSORT                                     | 1  | 1  | 1 |                   |
| 12       | 66M-14239-00        | .SEAL<br>.JOINT   | 1  | 1  | 1 |                   |
| 13       | 66M-14225-00        | .CAP<br>.COUVERCLE                                      | 1  | 1  | 1 |                   |
| 14       | 66M-14384-00        | .GASKET, FLOAT CHAMBER<br>.JOINT, CUVE DE FLOTTEUR      | 1  | 1  | 1 |                   |
| 15       | 6L2-14385-00        | .FLOAT<br>.FLOTTEUR                                     | 1  | 1  | 1 |                   |
| 16       | 6E5-14386-01        | .PIN, FLOAT<br>.AXE, FLOTTEUR                           | 1  | 1  | 1 |                   |
| 17       | 6L2-14392-00        | .VALVE, NEEDLE<br>.POINTEAU                             | 1  | 1  | 1 |                   |
| 18       | 97980-04110         | .SCREW, WITH WASHER<br>.VIS, AVEC RONDELLE              | 2  | 2  | 2 |                   |
| 19       | 6L2-14157-00        | .COVER, MIXING<br>.COUVERCLE DE CHAMBRE                 | 1  | 1  | 1 |                   |
| 20       | 62Y-14399-00        | .GASKET<br>.JOINT                                       | 1  | 1  | 1 |                   |
| 21       | 66M-14341-00        | .NOZZLE, MAIN<br>.PUITS D'AIGUILLE                      | 1  | 1  | 1 |                   |
| 22       | 66M-14343-52        | .JET, MAIN (#104)<br>.GICLEUR, PRINCIPAL (#104)         | 1  | 1  | 1 |                   |
| 23       | 66M-14342-23        | .JET, PILOT (#45)<br>.GICLEUR, RALENTI (#45)            | 1  | 1  | 1 |                   |
| 24       | 66M-14355-00        | .PLUG<br>.PLOT  | 1  | 1  | 1 |                   |
| 25       | 5H0-14323-00        | .SCREW, AIR ADJUSTING<br>.VIS DE DOSEUR D'AIR           | 1  | 1  | 1 |                   |
| 26       | 30X-14334-00        | .SPRING, AIR ADJUSTING<br>.RESSORT, VIS DE DOSEUR D'AIR | 1  | 1  | 1 |                   |
| 27       | 62Y-14321-00        | .SCREW, THROTTLE<br>.VIS, ACCELERATEUR                  | 1  | 1  | 1 |                   |

**B3**



66MJ-8060

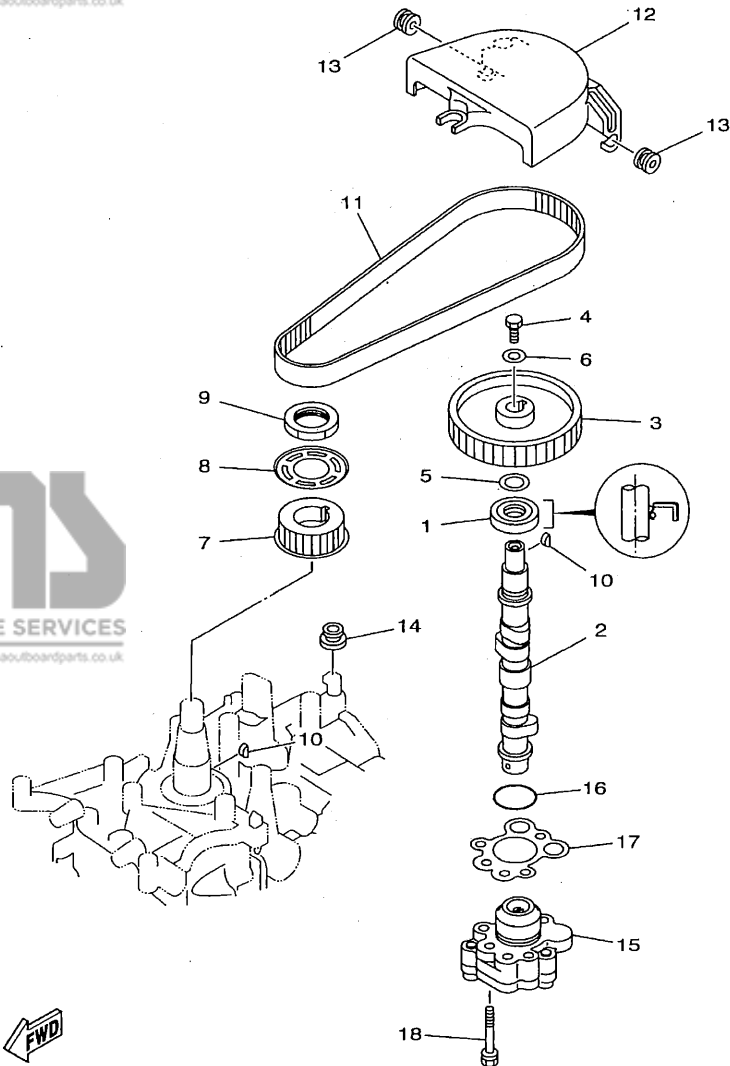
FIG. 6 CARBURETOR

CARBURATEUR

| REF. NO. | PART NO. NO. PIECES | DESCRIPTION DESCRIPTION                              | MH | EH | W | REMARKS REMARQUES |
|----------|---------------------|--|----|----|---|-------------------|
| 28       | 97980-04112         | .SCREW, WITH WASHER<br>.VIS, AVEC RONDELLE           | 4  | 4  | 4 |                   |
| 29       | 62Y-14397-00        | .O-RING<br>.JOINT TORIQUE                            | 1  | 1  | 1 |                   |
| 30       | 98980-04006         | .SCREW, BIND<br>.VIS, DE PRESSION                    | 1  | 1  | 1 |                   |
| 31       | 646-14212-01        | .SPRING, PILOT ADJUSTING<br>.RESSORT, VIS DE RALENTI | 1  | 1  | 1 |                   |
| 32       | 6F5-14397-00        | .O-RING<br>.JOINT TORIQUE                            | 1  | 1  | 1 |                   |
| 33       | 66M-14272-00        | .CHECK VALVE ASSY<br>.CLAPET (ENS.)                  | 1  | 1  | 1 |                   |
| 34       | 66M-14827-00        | .FILTER<br>.FILTRE                                   | 1  | 1  | 1 |                   |
| 35       | 97890-04005         | .SCREW, PAN HEAD<br>.VIS, TETE TRONCONIQUE           | 1  | 1  | 1 |                   |
| 36       | 66M-14157-00        | .PLATE<br>.PLAQUE                                    | 1  | 1  | 1 |                   |
| 37       | 98580-03005         | .SCREW, PAN HEAD<br>.VIS, TETE TRONCONIQUE           | 1  | 1  | 1 |                   |

FIG. 7 OIL PUMP

POMPE A HUILE



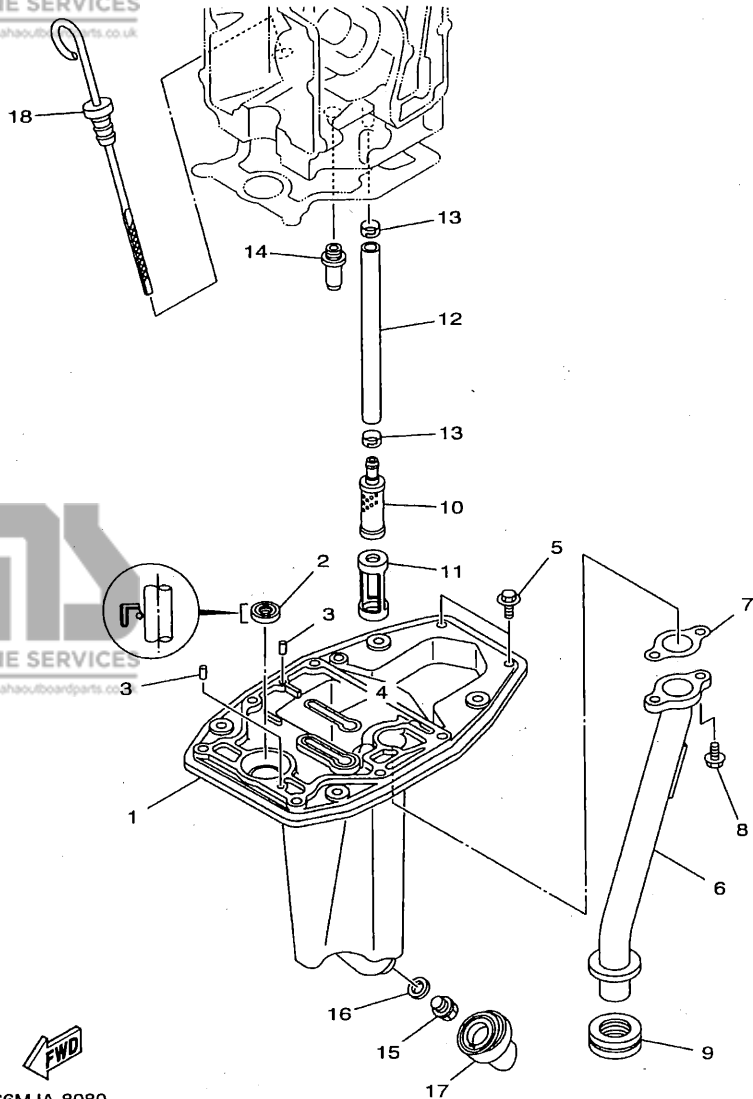
| REF. NO. | PART NO. SE NO. PIECES | DESCRIPTION DESCRIPTION                         | MH | EH | W | REMARKS REMARQUES |
|----------|------------------------|---|----|----|---|-------------------|
| 1        | 93102-18M21            | OIL SEAL<br>JOINT SPY                           | 1  | 1  | 1 |                   |
| 2        | 66M-12171-00           | CAMSHAFT 1<br>ARBRE A CAMES 1                   | 1  | 1  | 1 |                   |
| 3        | 66M-11537-00-94        | GEAR, DRIVEN<br>PIGNON SECONDAIRE               | 1  | 1  | 1 |                   |
| 4        | 97013-06016            | BOLT<br>BOULON                                  | 1  | 1  | 1 |                   |
| 5        | 90201-13201            | WASHER, PLATE<br>RONDELLE, PLATE                | 1  | 1  | 1 |                   |
| 6        | 90201-06M94            | WASHER, PLATE<br>RONDELLE, PLATE                | 1  | 1  | 1 |                   |
| 7        | 66M-11536-00           | GEAR, DRIVE<br>PIGNON SECONDAIRE                | 1  | 1  | 1 |                   |
| 8        | 66M-11557-00           | WASHER 1<br>RONDELLE 1                          | 1  | 1  | 1 |                   |
| 9        | 90170-28M37            | NUT<br>ECROU                                    | 1  | 1  | 1 |                   |
| 10       | 90280-03M01            | KEY, WOODRUFF<br>CLAVETTE, DEMI-LUNE            | 2  | 2  | 2 |                   |
| 11       | 66M-46241-00           | V-BELT<br>COURROIE TRAPEZOIDALE                 | 1  | 1  | 1 |                   |
| 12       | 66M-46297-00           | COVER, DUST<br>COUVERCLE, POUSSIERE             | 1  | 1  | 1 |                   |
| 13       | 90480-10M16            | GROMMET<br>PASSE-FIL                            | 2  | 2  | 2 |                   |
| 14       | 90480-12072            | GROMMET<br>PASSE-FIL                            | 1  | 1  | 1 |                   |
| 15       | 66M-13300-00           | OIL PUMP ASSY<br>POMPE A HUILE COMPLET          | 1  | 1  | 1 |                   |
| 16       | 93210-27ME3            | O-RING<br>JOINT TORIQUE                         | 1  | 1  | 1 |                   |
| 17       | 66M-13329-00           | GASKET, PUMP COVER<br>JOINT, COUVERCLE DE POMPE | 1  | 1  | 1 |                   |
| 18       | 97595-06535            | BOLT, WITH WASHER<br>VIS HEXAGONAL              | 3  | 3  | 3 |                   |



66MJA-8070

**B5**





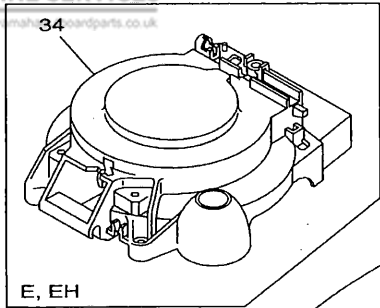
66MJA-8080

**FIG. 8 OIL PAN**

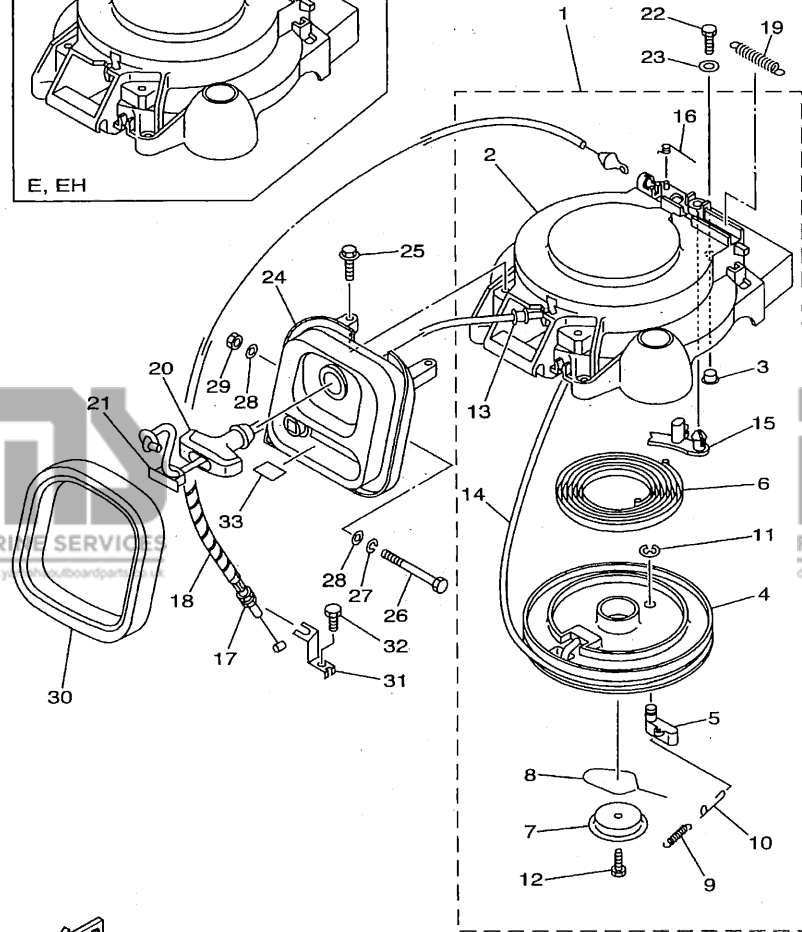
**VENTILATEUR D'HUILE**

| REF. NO. | PART NO. NO. PIECES | DESCRIPTION DESCRIPTION                              | M/H | Et | ω | REMARKS REMARQUES |
|----------|---------------------|--|-----|----|---|-------------------|
| 1        | 66M-41137-00-5B     | GUIDE, EXHAUST COLLECTEUR D'ÉCHAPPEMENT              | 1   | 1  | 1 |                   |
| 2        | 93101-13M27         | OIL SEAL JOINT SPY                                   | 1   | 1  | 1 |                   |
| 3        | 93606-12019         | PIN, DOWEL GOUJON                                    | 2   | 2  | 2 |                   |
| 4        | 66M-11355-00        | SEAL, CYLINDER 1 JOINT, SPY CYLINDRE                 | 1   | 1  | 1 |                   |
| 5        | 97595-06520         | BOLT, WITH WASHER VIS HEXAGONAL                      | 2   | 2  | 2 |                   |
| 6        | 66M-41131-00        | MANIFOLD, EXT. 1 PIPE D'ÉCHAPPEMENT                  | 1   | 1  | 1 |                   |
| 7        | 66M-41133-00        | GASKET, EXHAUST MANIFOLD 1 JOINT, PIPE D'ÉCHAPPEMENT | 1   | 1  | 1 |                   |
| 8        | 97595-06516         | BOLT, WITH WASHER VIS HEXAGONAL                      | 2   | 2  | 2 |                   |
| 9        | 66M-41138-00        | SEAL, EXT. 1 JOINT DE GROUPE 1                       | 1   | 1  | 1 |                   |
| 10       | 66M-13421-00        | STRAINER 2 FILTRE 2                                  | 1   | 1  | 1 |                   |
| 11       | 66M-13417-00        | COVER, STRAINER COUVERCLE, FILTRE                    | 1   | 1  | 1 |                   |
| 12       | 66M-13416-00        | PIPE, OIL 1 DURITE A HUILE                           | 1   | 1  | 1 |                   |
| 13       | 66M-24351-00        | BAND 1 COLLIER 1                                     | 2   | 2  | 2 |                   |
| 14       | 6G8-11575-00        | RELIEF VALVE ASS'Y SOUPAPE DE RENTREE D'AIR          | 1   | 1  | 1 |                   |
| 15       | 90340-14M06         | PLUG, STRAIGHT SCREW PLOT, FILETE DROIT              | 1   | 1  | 1 |                   |
| 16       | 90430-14M09         | GASKET JOINT   | 1   | 1  | 1 |                   |
| 17       | 66M-15316-00        | DAMPER, ENGINE MOUNT 1 AMORTISSEUR DE SUPPORT        | 1   | 1  | 1 |                   |
| 18       | 66M-15362-00        | PLUG, OIL LEVEL PLOT, NIVEAU D'HUILE                 | 1   | 1  | 1 |                   |

**B6**



E, EH



66MJA-8090

FIG. 9 STARTER

DEMARREUR

| REF. NO. | PART NO. NO. PIECES | DESCRIPTION DESCRIPTION                                     | MH | EH | U | REMARKS REMARQUES |
|----------|---------------------|---|----|----|---|-------------------|
| 1        | 66M-15710-00        | STARTER ASSY<br>DEMARREUR COMPLET                           | 1  |    |   |                   |
| 2        | 66M-15711-00        | .CASE, STARTER<br>.CARTER DE DEMARREUR                      | 1  |    |   |                   |
| 3        | 90387-06M05         | .COLLAR<br>.COLLERETTE                                      | 3  |    |   |                   |
| 4        | 63V-15714-00        | .DRUM, SHEAVE<br>.TAMBOUR, POULIE                           | 1  |    |   |                   |
| 5        | 63V-15741-00        | .PAWL, DRIVE<br>.CLIQUET, ENTRAINEMENT                      | 1  |    |   |                   |
| 6        | 63V-15713-00        | .SPRING, STARTER<br>.RESSORT DE DEMARREUR                   | 1  |    |   |                   |
| 7        | 63V-15716-00        | .PLATE, DRIVE<br>.PLAQUE, ENTRAINEMENT                      | 1  |    |   |                   |
| 8        | 63V-15705-01        | .SPRING, DRIVE PAWL<br>.RESSORT DE CLIQUET                  | 1  |    |   |                   |
| 9        | 63V-15767-01        | .SPRING<br>.RESSORT   | 1  |    |   |                   |
| 10       | 63V-15784-01        | .SPRING, RETURN<br>.RESSORT, RAPPEL                         | 1  |    |   |                   |
| 11       | 63V-15744-00        | .CIRCLIP<br>.CIRCLIP  | 1  |    |   |                   |
| 12       | 63V-15768-00        | .BOLT<br>.BOULON  | 1  |    |   |                   |
| 13       | 63V-15764-00        | .COLLAR 1<br>.COLLERETTE 1                                  | 1  |    |   |                   |
| 14       | *                   | .WIRE, STARTER (L:1800MM)<br>.CABLE DE DEMARREUR (L:1800MM) | 1  |    |   |                   |
| 15       | 66T-15794-00        | .STOPPER<br>.BUTEE  | 1  |    |   |                   |
| 16       | 66T-15734-00        | .SPRING, RETURN<br>.RESSORT, RAPPEL                         | 1  |    |   |                   |
| 17       | 66M-15770-00        | CABLE COMP., STARTER STOP<br>CABLE, BUTEE DE DEMAR          | 1  |    |   |                   |
| 18       | 90446-06M90         | HOSE<br>DURITE  | 1  |    |   |                   |
| 19       | 66T-15731-00        | SPRING, RETURN<br>RESSORT, RAPPEL                           | 1  |    |   |                   |
| 20       | 6G1-15755-00        | HANDLE, STARTER<br>POIGNEE, DE DEMARREUR                    | 1  |    |   |                   |
| 21       | 6G1-15779-00        | COVER<br>COUVERCLE  | 1  |    |   |                   |
| 22       | 97095-06020         | BOLT<br>BOULON  | 3  | 3  | 3 |                   |
| 23       | 92995-06600         | WASHER<br>RONDELLE  | 3  | 3  | 3 |                   |
| 24       | 66M-15758-00        | GUIDE, ROPE<br>GUIDE DE CABLE                               | 1  |    |   | UR M, MH          |
|          | 66M-15758-10        | GUIDE, ROPE<br>GUIDE DE CABLE                               |    | 1  | 1 | UR E, EH          |

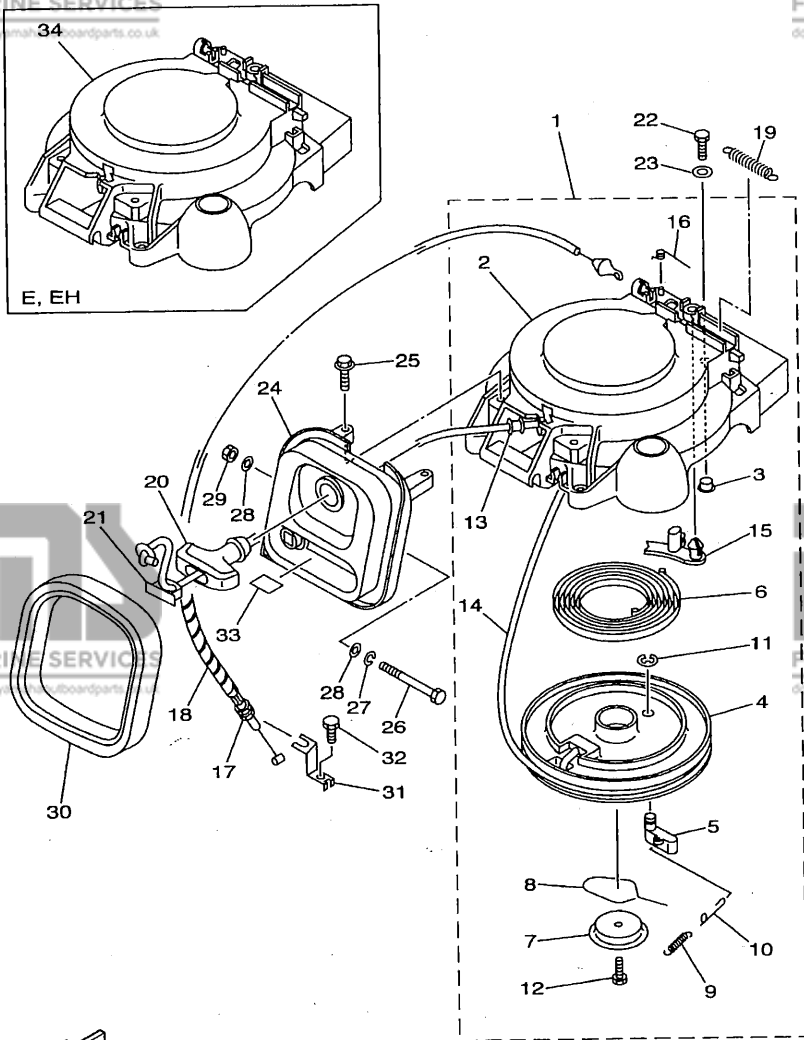
\* CUT FROM 50M ROLLS, PART NO. 90890-44373, CUTTING LENGTH 1.8M

\* A PRELEVER SUR BOBINE 50M, REFERENCE 90890-44373, LONGUEUR DE COUPE 1.8M

**B7**

**FIG. 9 STARTER**

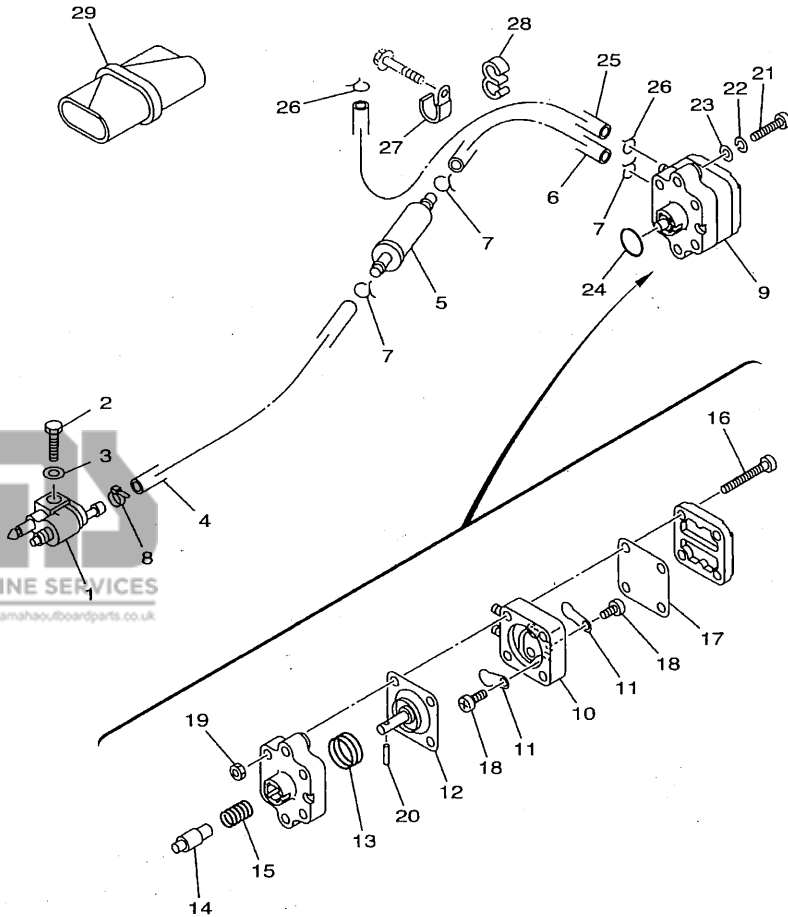
**DEMARREUR**



| REF. NO. | PART NO. NO. PIECES | DESCRIPTION DESCRIPTION                    | MH | EH | U | REMARKS REMARQUES |
|----------|---------------------|--|----|----|---|-------------------|
| 25       | 90119-06M59         | BOLT, WITH WASHER<br>BOULON, AVEC RONDELLE | 2  | 2  | 2 |                   |
| 26       | 97095-06090         | BOLT<br>BOULON                             | 1  | 1  | 1 |                   |
| 27       | 92995-06100         | WASHER, SPRING<br>RONDELLE, GROWER         | 1  | 1  | 1 |                   |
| 28       | 90201-06M05         | WASHER, PLATE<br>RONDELLE, PLATE           | 2  | 2  | 2 |                   |
| 29       | 95380-06700         | NUT<br>ECROU                               | 1  | 1  | 1 |                   |
| 30       | 66M-15762-00        | SEAL, RUBBER 2<br>JOINT CAOUTCHOUC 2       | 1  | 1  | 1 |                   |
| 31       | 66M-15774-00        | STAY 4<br>SUPPORT 4                        | 1  |    |   |                   |
| 32       | 90109-06M86         | BOLT<br>BOULON                             | 1  |    |   |                   |
| 33       | 66M-84342-00        | SEAT, EMBLEM<br>SIEGE, EMBLEME             | 1  | 1  | 1 |                   |
| 34       | 66M-15711-10        | CASE, STARTER<br>CARTER DE DEMARREUR       |    | 1  | 1 | E, EH             |

**FWD**  
66MJA-8090

**C1**



**FWD**  
66MJA-8100

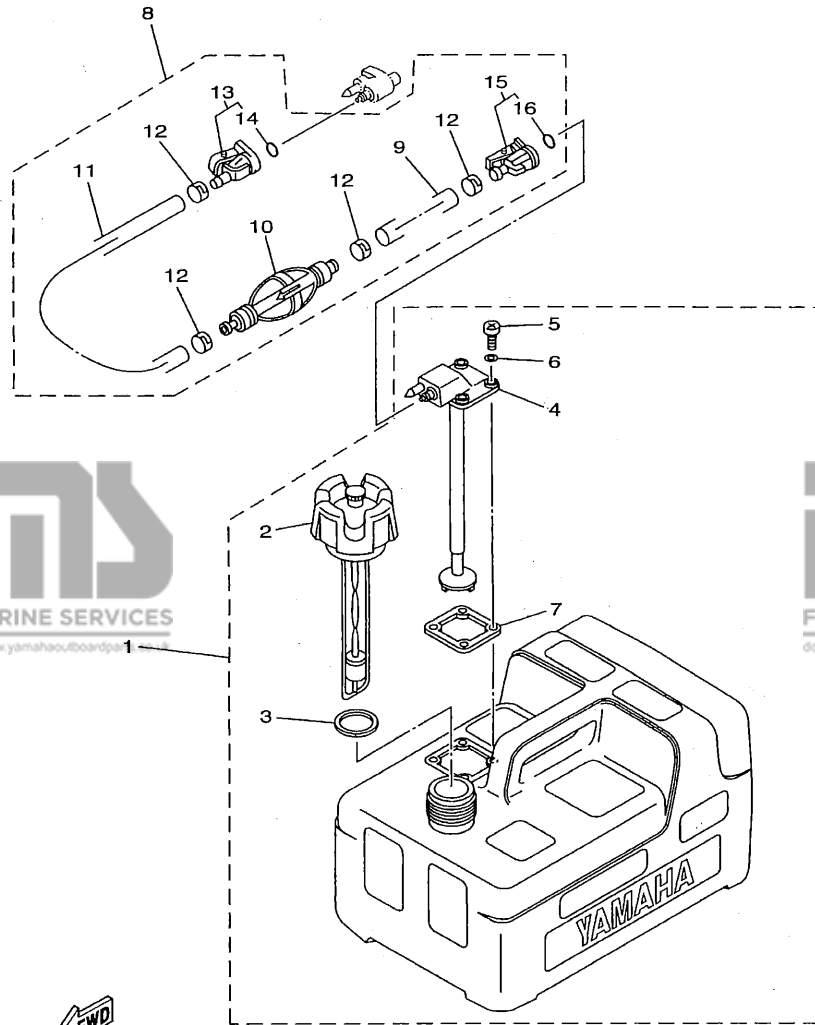
**FIG. 10 FUEL**

**CARBURANT**

| REF. NO. | PART NO. NO. PIECES | DESCRIPTION DESCRIPTION                                 | MH | EH | W | REMARKS<br>REMARQUES |
|----------|---------------------|---|----|----|---|----------------------|
| 1        | 6G1-24304-02        | FUEL PIPE JOINT COMP. 1<br>DURITE RACCORDEMT. A ESSENCE | 1  | 1  | 1 |                      |
| 2        | 97095-06020         | BOLT<br>BOULON  | 1  | 1  | 1 |                      |
| 3        | 92995-06600         | WASHER<br>RONDELLE                                      | 1  | 1  | 1 |                      |
| 4        | 90445-10M40         | HOSE<br>DURITE  | 1  | 1  | 1 |                      |
| 5        | 65W-24251-00        | STRAINER 1<br>FILTRE 1                                  | 1  | 1  | 1 |                      |
| 6        | 90445-10M20         | HOSE<br>DURITE  | 1  | 1  | 1 |                      |
| 7        | 90467-09M03         | CLIP<br>JONC  | 3  | 3  | 3 |                      |
| 8        | 90465-11M10         | CLAMP<br>BRIDE  | 1  | 1  | 1 |                      |
| 9        | 66M-24410-00        | FUEL PUMP ASSY<br>POMPE A ESSENCE                       | 1  | 1  | 1 |                      |
| 10       | 66M-24413-00        | .BODY 2<br>.CORPS 2                                     | 1  | 1  | 1 |                      |
| 11       | 6A0-24421-01        | .VALVE, CHECK<br>.SOUPAPE, RETENUE                      | 2  | 2  | 2 |                      |
| 12       | 66M-24411-00        | .DIAPHRAGM<br>.DIAPHRAGME                               | 1  | 1  | 1 |                      |
| 13       | 66M-24423-00        | .SPRING, DIAPHRAGM<br>.RESSORT, DIAPHRAGME              | 1  | 1  | 1 |                      |
| 14       | 66M-13131-00        | .PLUNGER<br>.PLONGEUR                                   | 1  | 1  | 1 |                      |
| 15       | 66M-24454-00        | .SPRING<br>.RESSORT                                     | 1  | 1  | 1 |                      |
| 16       | 66M-24444-00        | .SCREW<br>.VIS  | 4  | 4  | 4 |                      |
| 17       | 66M-24471-00        | .DIAPHRAGM<br>.DIAPHRAGME                               | 1  | 1  | 1 |                      |
| 18       | 6A0-14325-00        | .SCREW, PAN HEAD<br>.VIS TETE CONIQUE                   | 2  | 2  | 2 |                      |
| 19       | 95380-05600         | .NUT<br>.ECROU  | 2  | 2  | 2 |                      |
| 20       | 66M-24374-00        | .PIN<br>.GOUILLE  | 1  | 1  | 1 |                      |
| 21       | 97880-06030         | SCREW, PAN HEAD<br>VIS, TETE TRONCONIQUE                | 2  | 2  | 2 |                      |
| 22       | 92990-06100         | WASHER, SPRING<br>RONDELLE, GROWER                      | 2  | 2  | 2 |                      |
| 23       | 92990-06600         | WASHER, PLATE<br>RONDELLE, PLATE                        | 2  | 2  | 2 |                      |
| 24       | 93210-20M65         | O-RING<br>JOINT TORIQUE                                 | 1  | 1  | 1 |                      |
| 25       | 90445-10M40         | HOSE<br>DURITE  | 1  | 1  | 1 |                      |
| 26       | 90467-09M03         | CLIP<br>JONC  | 2  | 2  | 2 |                      |
| 27       | 90465-08M07         | CLAMP<br>BRIDE  | 1  | 1  | 1 |                      |

**C2**





66MUS-8110

FIG. 11 FUEL 2

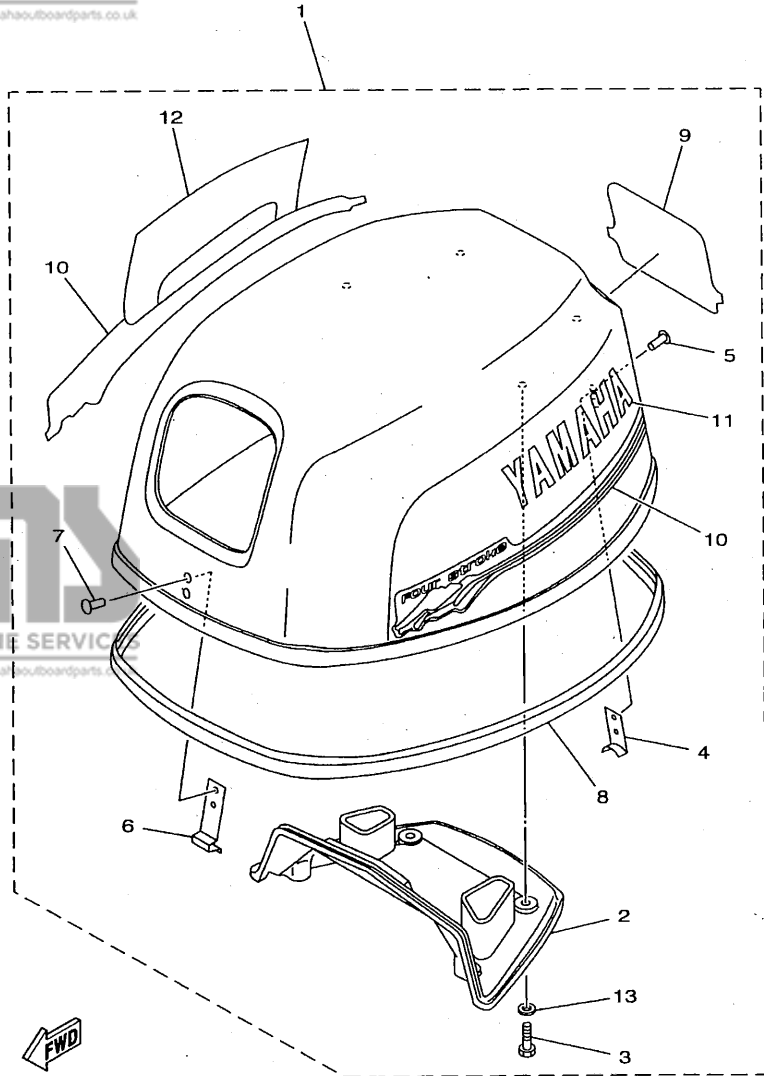
CARBURANT 2

| REF. NO. | PART NO. NO. PIECES | DESCRIPTION DESCRIPTION                                   | MHT | EH | W | REMARKS REMARQUES |
|----------|---------------------|---|-----|----|---|-------------------|
| 1        | 6YL-24201-00        | FUEL TANK ASSY (12 L)<br>RESERVOIR A ESSENCE (ENS.)12 L   | 1   | 1  | 1 |                   |
| 2        | 6YL-24610-00        | .CAP ASSY<br>.BOUCHON                                     | 1   | 1  | 1 |                   |
| 3        | 6YL-24641-00        | .GASKET, CAP 1<br>.JOINT 1, BOUCHON                       | 1   | 1  | 1 |                   |
| 4        | 6YL-24260-00        | .FUEL METER ASSY<br>.INDICATEUR DE CARBURANT              | 1   | 1  | 1 |                   |
| 5        | 98586-05016         | .SCREW, PAN HEAD<br>.VIS, TETE TRONCONIQUE                | 4   | 4  | 4 |                   |
| 6        | 6Y1-24329-00        | .SEAL<br>.JOINT   | 4   | 4  | 4 |                   |
| 7        | 6YL-24268-00        | .GASKET, FUEL METER<br>.JOINT, JAUGE A CARBURANT          | 1   | 1  | 1 |                   |
| 8        | 6Y1-24306-51        | FUEL PIPE COMP. 1<br>DURITE A ESSENCE 1                   | 1   | 1  | 1 |                   |
| 9        | 90445-11M06         | .HOSE (L:2050MM)<br>.DURITE (L:2050MM)                    | 1   | 1  | 1 |                   |
| 10       | 6Y1-24360-51        | .PRIMER PUMP ASSY<br>.POMPE D'AMORCAGE                    | 1   | 1  | 1 |                   |
| 11       | 90445-11M05         | .HOSE (L:850MM)<br>.DURITE (L:850MM)                      | 1   | 1  | 1 |                   |
| 12       | 650-24351-51        | .BAND 1<br>.COLLIER 1                                     | 4   | 4  | 4 |                   |
| 13       | 6G1-24305-01        | .FUEL PIPE JOINT COMP. 2<br>.DURITE RACCORDEMT. A ESSENCE | 1   | 1  | 1 |                   |
| 14       | 93210-08287         | ..O-RING<br>..JOINT TORIQUE                               | 1   | 1  | 1 |                   |
| 15       | 6Y1-24305-02        | .FUEL PIPE JOINT COMP. 2<br>.DURITE RACCORDEMT. A ESSENCE | 1   | 1  | 1 |                   |
| 16       | 93210-08287         | ..O-RING<br>..JOINT TORIQUE                               | 1   | 1  | 1 |                   |

FIG. 12 TOP COWLING

CAPOT SUPERIEUR

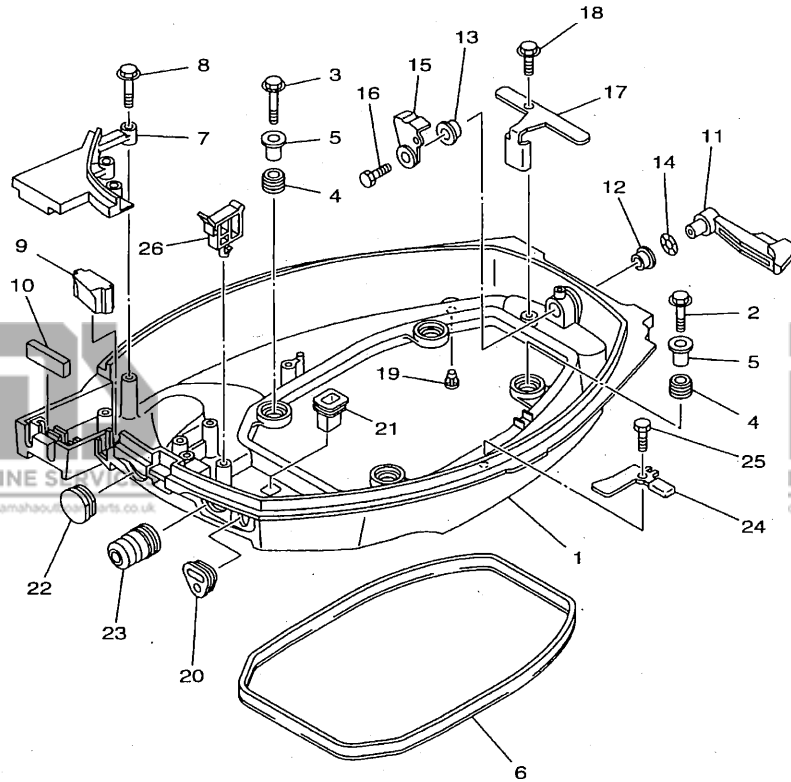
| REF. NO. | PART NO. NO. PIECES | DESCRIPTION DESCRIPTION               | M/H | E/H | W | REMARKS REMARQUES |
|----------|---------------------|---------------------------------------|-----|-----|---|-------------------|
| 1        | 66M-42610-00-4D     | TOP COWLING ASSY<br>CAPOT (ENS.)      | 1   | 1   | 1 |                   |
| 2        | 66M-42613-00        | .MOLDING, AIR DUCT<br>.MANCHON A AIR  | 1   | 1   | 1 |                   |
| 3        | 97780-60520         | .SCREW, TAPPING<br>.VIS, TETE FRAISEE | 4   | 4   | 4 |                   |
| 4        | 6E0-42651-02        | .HOOK<br>.CROCHET                     | 1   | 1   | 1 |                   |
| 5        | 90266-04M04         | .RIVET<br>.RIVET                      | 2   | 2   | 2 |                   |
| 6        | 6E7-42652-00        | .HOOK<br>.CROCHET                     | 1   | 1   | 1 |                   |
| 7        | 90266-04M04         | .RIVET<br>.RIVET                      | 2   | 2   | 2 |                   |
| 8        | 66M-42615-00        | .SEAL<br>.JOINT                       | 1   | 1   | 1 |                   |
| 9        | 66M-42678-10        | .GRAPHIC, REAR<br>.ADHESIF, ARRIERE   | 1   | 1   | 1 |                   |
| 10       | 66M-W0070-10        | .GRAPHIC SET<br>.JEU DIEMBLEMES       | 1   | 1   | 1 |                   |
| 11       | 66M-42681-10        | .MARK, COWLING<br>.ADHESIF, CAPOT     | 1   | 1   | 1 |                   |
| 12       | 66M-42682-10        | .MARK, COWLING<br>.ADHESIF, CAPOT     | 1   | 1   | 1 |                   |
| 13       | 90202-05M38         | .WASHER, PLATE<br>.RONDELLE, PLATE    | 4   | 4   | 4 |                   |



**FWD**  
66MJA-8110

**FIG. 13 BOTTOM COWLING**

**CAPOT INFERIEUR**



| REF. NO. | PART NO.<br>NO. PIECES | DESCRIPTION<br>DESCRIPTION  | MH | EH | U | REMARKS<br>REMARQUES |
|----------|------------------------|---|----|----|---|----------------------|
| 1        | 66M-42710-00-4D        | BOTTOM COWLING ASSY<br>ENS. EMBASE<br>(REF.NO. 8, 18, 25,<br>FIG.9, REF.NO. 32,<br>FIG.18, REF.NO. 5, 8, FIG.27, REF.NO. 10 ) | 1  | 1  | 1 |                      |
| 2        | 97595-06535            | BOLT, WITH WASHER<br>VIS HEXAGONAL  | 2  | 2  | 2 |                      |
| 3        | 97595-06525            | BOLT, WITH WASHER<br>VIS HEXAGONAL  | 2  | 2  | 2 |                      |
| 4        | 90480-15M31            | GROMMET<br>PASSE-FIL  | 4  | 4  | 4 |                      |
| 5        | 90387-06M52            | COLLAR<br>COLLERETTE  | 4  | 4  | 4 |                      |
| 6        | 66M-42716-00           | RUBBER, SEAL 1<br>JOINT EN CAOUTCHOUC 1   | 1  | 1  | 1 |                      |
| 7        | 66M-42738-00-4D        | PLATE, FITTING<br>ETRIER  | 1  | 1  | 1 |                      |
| 8        | 90109-06M82            | BOLT<br>BOULON  | 3  | 3  | 3 |                      |
| 9        | 66M-42725-00           | GROMMET<br>PASSE-FIL  | 1  |    |   | UR MH                |
|          | 66M-42725-10           | GROMMET<br>PASSE-FIL  |    | 1  |   | UR EH                |
|          | 66M-42725-20           | GROMMET<br>PASSE-FIL  |    |    | 1 | UR E                 |
| 10       | 62Y-42727-00           | GROMMET<br>PASSE-FIL  |    |    | 1 | UR E                 |
|          | 65W-42727-00           | GROMMET<br>PASSE-FIL  | 1  | 1  |   | UR MH, EH            |
| 11       | 66M-42815-00-4D        | LEVER, CLAMP<br>LEVIER, PRESSE  | 1  | 1  | 1 |                      |
| 12       | 90386-12M37            | BUSH<br>DOUILLE   | 1  | 1  | 1 |                      |
| 13       | 90386-12MA2            | BUSH<br>DOUILLE   | 1  | 1  | 1 |                      |
| 14       | 90206-12052            | WASHER, WAVE<br>RONDELLE, ONDULEE   | 1  | 1  | 1 |                      |
| 15       | 6L2-42816-00           | LEVER, CLAMP<br>LEVIER, PRESSE  | 1  | 1  | 1 |                      |
| 16       | 97095-06012            | BOLT<br>BOULON  | 1  | 1  | 1 |                      |
| 17       | 66M-42766-00           | BRACKET 2<br>SUPPORT 2  | 1  | 1  | 1 |                      |
| 18       | 90109-06M86            | BOLT<br>BOULON  | 1  | 1  | 1 |                      |
| 19       | 6H3-44391-01           | NIPPLE, HOSE<br>RACCORD D'ESSENCE   | 1  | 1  | 1 |                      |
| 20       | 65W-26326-10           | GROMMET<br>RONDELLE CAOUTCHOUC  |    |    | 1 | UR E                 |
|          | 66M-26326-00           | GROMMET<br>RONDELLE CAOUTCHOUC  | 1  | 1  |   | UR MH, EH            |
| 21       | 682-42727-00           | GROMMET<br>PASSE-FIL  | 1  | 1  | 1 |                      |

**FWD**  
66MJA-8120

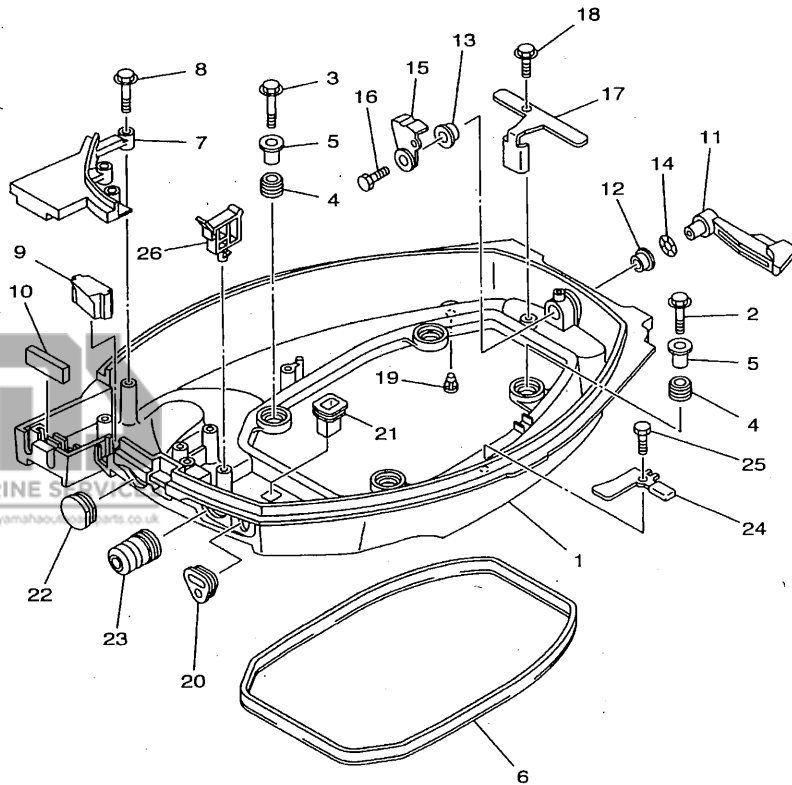
**C6**



**FIG. 13 BOTTOM COWLING**

**CAPOT INFERIEUR**

| REF. NO. | PART NO. NO. PIECES | DESCRIPTION DESCRIPTION | MH | EH | U | REMARKS REMARQUES |
|----------|---------------------|-------------------------|----|----|---|-------------------|
| 22       | 682-42724-00        | GROMMET PASSE-FIL       | 1  | 1  | 1 |                   |
| 23       | 65W-42726-00        | GROMMET PASSE-FIL       | 1  | 1  |   | UR MH,EH          |
|          | 65W-42726-10        | GROMMET PASSE-FIL       |    |    | 1 | UR E              |
| 24       | 66M-42743-00        | BRACKET SUPPORT         | 2  | 2  | 2 |                   |
| 25       | 90109-06M86         | BOLT BOULON             | 2  | 2  | 2 |                   |
| 26       | 90465-25M57         | CLAMP BRIDE             | 1  | 1  | 1 |                   |

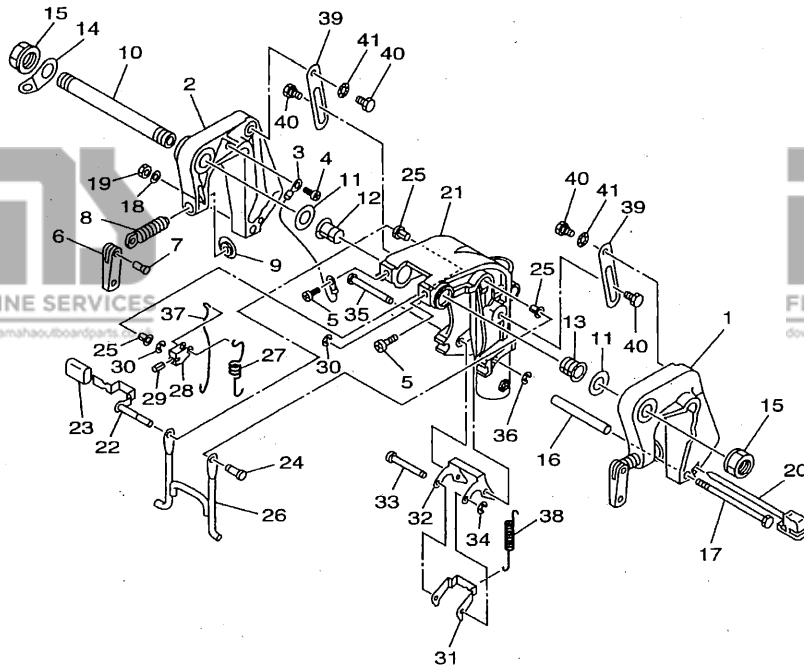


**FWD**  
66MJA-8120

FIG. 14 BRACKET 1

SUPPORT 1

| REF. NO. | PART NO. NO. PIECES | DESCRIPTION DESCRIPTION                        | MH | EH | W | REMARKS REMARQUES |
|----------|---------------------|--|----|----|---|-------------------|
| 1        | 63V-43111-03-4D     | BRACKET, CLAMP PRESSE                          | 1  | 1  | 1 |                   |
| 2        | 63V-43112-04-4D     | BRACKET, CLAMP PRESSE                          | 1  | 1  | 1 |                   |
| 3        | 66M-82148-00        | WIRE, LEAD 4 FIL 4                             | 1  | 1  | 1 |                   |
| 4        | 97885-06008         | SCREW, PAN HEAD VIS, TETE TRONCONIQUE          | 1  | 1  | 1 |                   |
| 5        | 97885-08010         | SCREW, PAN HEAD VIS, TETE TRONCONIQUE          | 2  | 2  | 2 |                   |
| 6        | 6E0-43118-01        | HANDLE, TRANSOM CLAMP POIGNEE DE VIS DE PRESSE | 2  | 2  | 2 |                   |
| 7        | 90243-04M01         | PIN GOUPILLE                                   | 2  | 2  | 2 |                   |
| 8        | 6E7-43116-00        | SCREW, TRANSOM CLAMP VIS DE PRESSE             | 2  | 2  | 2 |                   |
| 9        | 648-43114-01        | PAD, TRANSOM CLAMP RONDELLE D'APPUI            | 2  | 2  | 2 |                   |
| 10       | 63V-43131-10        | BOLT, CLAMP BRACKET BOULON, PRESSE             | 1  | 1  | 1 |                   |
| 11       | 90202-22M54         | WASHER, PLATE RONDELLE, PLATE                  | 2  | 2  | 2 |                   |
| 12       | 90386-22M94         | BUSH DOUILLE                                   | 1  | 1  | 1 |                   |
| 13       | 90386-22M94         | BUSH DOUILLE                                   | 1  | 1  | 1 |                   |
| 14       | 66M-43113-00        | PLATE, CLAMP BRACKET PLAQUETTE, PRESSE         | 1  | 1  | 1 |                   |
| 15       | 63V-43145-00        | CAP, CLAMP BRACKET CAPUCHON, PRESSE            | 2  | 2  | 2 |                   |
| 16       | 90387-06M13         | COLLAR COLLERETTE                              | 1  | 1  | 1 |                   |
| 17       | 90101-06M29         | BOLT BOULON                                    | 1  | 1  | 1 |                   |
| 18       | 92995-06600         | WASHER RONDELLE                                | 1  | 1  | 1 |                   |
| 19       | 95380-06700         | NUT ECROU                                      | 1  | 1  | 1 |                   |
| 20       | 6L2-43160-00        | TILT ROD ASSY BROCHE D'INCLINAISON (ENS.)      | 1  | 1  | 1 |                   |
| 21       | 63V-43311-02-4D     | BRACKET, SWIVEL SUPPORT, PIVOT                 | 1  | 1  | 1 | UR S              |
|          | 66M-43311-10-4D     | BRACKET, SWIVEL SUPPORT, PIVOT                 | 1  | 1  | 1 | UR L              |
| 22       | 63V-43630-00        | TILT LEVER ASSY LEVIER D'INCLINAISON           | 1  | 1  | 1 |                   |
| 23       | 682-43318-01        | COVER CAPUCHON                                 | 1  | 1  | 1 |                   |
| 24       | 63V-43191-00        | SHAFT, STOPPER AXE, BUTEE                      | 1  | 1  | 1 |                   |
| 25       | 90386-07M95         | BUSH DOUILLE                                   | 3  | 3  | 3 |                   |
| 26       | 66M-43350-00        | RECEIVER ASSY. RECEIVER ASSY                   | 1  | 1  | 1 |                   |



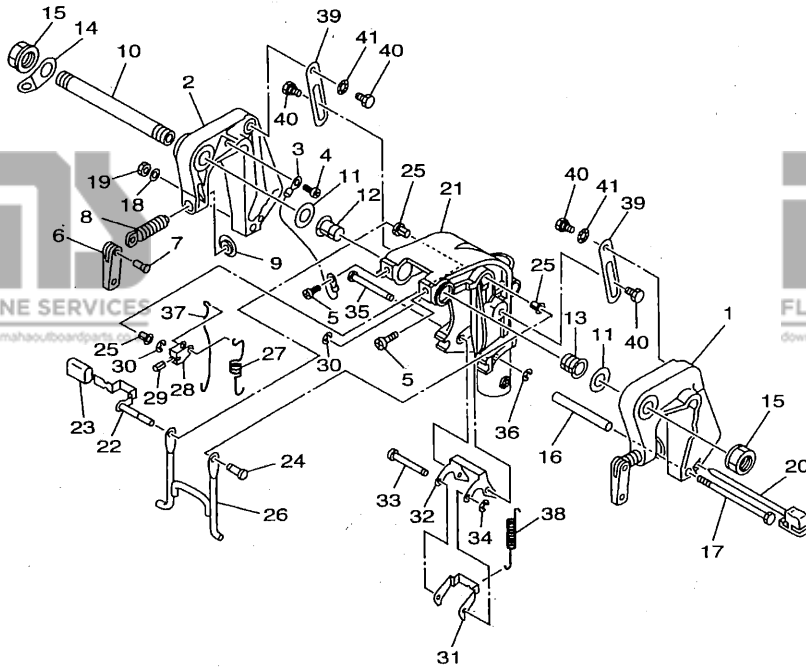
**FWD**  
66MJA-8130

**D1**

**FIG. 14 BRACKET 1**

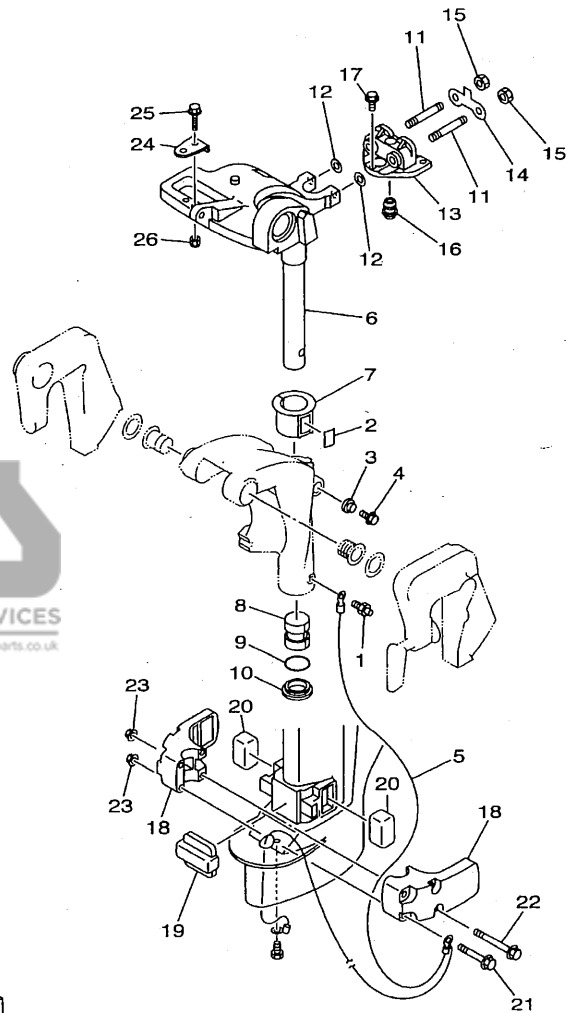
**SUPPORT 1**

| REF. NO. | PART NO. NO. PIECES | DESCRIPTION DESCRIPTION                             | MH | EH | W | REMARKS REMARQUES |
|----------|---------------------|---|----|----|---|-------------------|
| 27       | 90507-20M00         | SPRING, TENSION<br>RESSORT, TENSION                 | 1  | 1  | 1 |                   |
| 28       | 63V-43641-00        | LEVER, TILT<br>LEVIER, INCLINAISON                  | 1  | 1  | 1 |                   |
| 29       | 91690-30012         | PIN, SPRING<br>GOUILLE, ELASTIQUE                   | 1  | 1  | 1 |                   |
| 30       | 93430-05027         | CIRCLIP<br>CIRCLIP, TYPE S                          | 2  | 2  | 2 |                   |
| 31       | 66M-43614-00        | PLATE, TILT LOCK<br>ETRIER, VERROUILLAGE MARCHE AR. | 1  | 1  | 1 |                   |
| 32       | 63V-43615-00        | PLATE, TILT LOCK<br>ETRIER, VERROUILLAGE MARCHE AR  | 1  | 1  | 1 |                   |
| 33       | 63V-43611-00        | SHAFT, TILT LOCK<br>AXE, VERROUILLAGE MARCHE AR     | 1  | 1  | 1 |                   |
| 34       | 93430-05027         | CIRCLIP<br>CIRCLIP, TYPE S                          | 1  | 1  | 1 |                   |
| 35       | 63V-43659-00        | SHAFT, REVERSE LOCK<br>AXE, VERROUILLAGE MARCHE AR  | 1  | 1  | 1 |                   |
| 36       | 93430-05027         | CIRCLIP<br>CIRCLIP, TYPE S                          | 1  | 1  | 1 |                   |
| 37       | 63V-43617-00        | ROD, TILT LOCK<br>TIGE                              | 1  | 1  | 1 |                   |
| 38       | 90507-26M00         | SPRING, TENSION<br>RESSORT, TENSION                 | 1  | 1  | 1 |                   |
| 39       | 63V-43181-00        | LEVER, TILT STOP<br>LEVIER, VERROUILLAGE RELEVAGE   | 2  | 2  | 2 |                   |
| 40       | 90109-06M84         | BOLT<br>BOULON                                      | 4  | 4  | 4 |                   |
| 41       | 90206-10M24         | WASHER, WAVE<br>RONDELLE, ONDULEE                   | 2  | 2  | 2 |                   |



66MJA-8130

**D2**

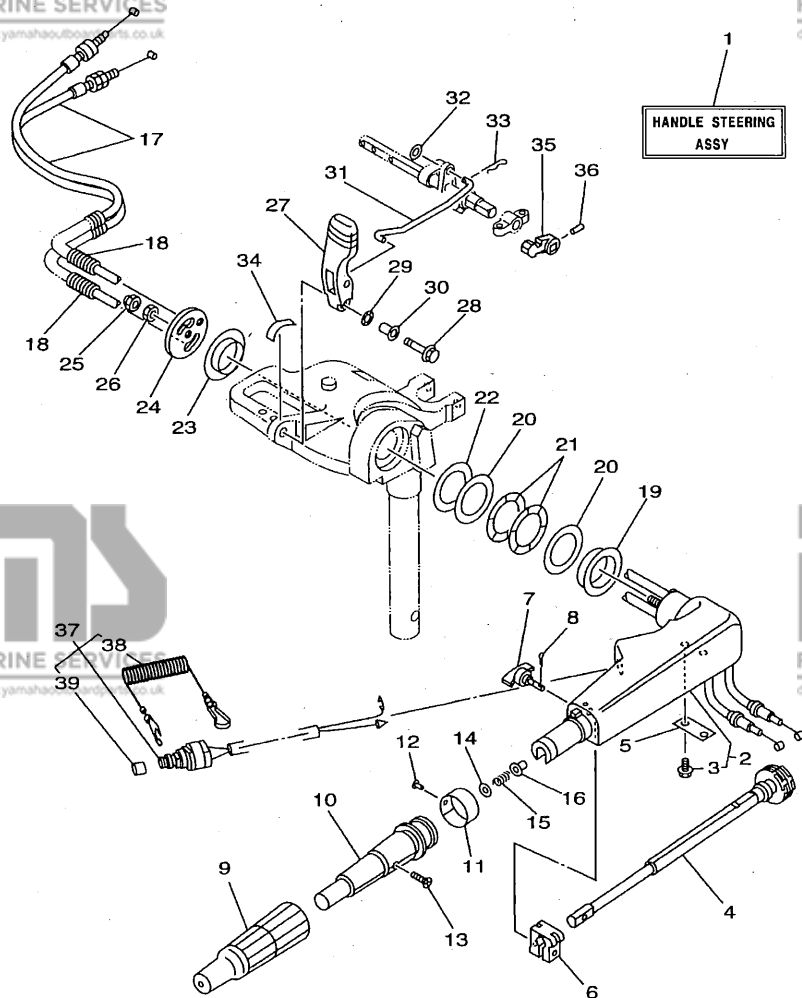


66MNV-8150

FIG. 15 BRACKET 2

SUPPORT 2

| REF. NO. | PART NO. NO. PIECES | DESCRIPTION DESCRIPTION                                    | MH | CH | W | REMARKS REMARQUES |
|----------|---------------------|--|----|----|---|-------------------|
| 1        | 93700-06M03         | NIPPLE, GREASE GRAISSEUR                                   | 1  | 1  | 1 |                   |
| 2        | 63V-42528-00        | PLATE, FRICTION PLAQUE, FRICTION                           | 1  | 1  | 1 |                   |
| 3        | 689-43373-01        | SEAL, DAMPER JOINT   | 1  | 1  | 1 |                   |
| 4        | 90105-06M07         | BOLT, WASHER BASED BOULON, AVEC RONDELLE                   | 1  | 1  | 1 |                   |
| 5        | 66M-82127-00        | WIRE, LEAD 2 FIL 2   | 1  | 1  | 1 |                   |
| 6        | 66M-42511-00-4D     | BRACKET, STEERING CADRE, DIRECTION                         | 1  | 1  | 1 | UR S              |
|          | 66M-42511-10-4D     | BRACKET, STEERING CADRE, DIRECTION                         | 1  | 1  | 1 | UR L              |
| 7        | 63V-42537-00        | BUSHING, PIVOT SHAFT COUSSINET                             | 1  | 1  | 1 |                   |
| 8        | 90386-30048         | BUSH DOUILLE   | 1  | 1  | 1 |                   |
| 9        | 93210-29M94         | O-RING JOINT TORIQUE                                       | 1  | 1  | 1 |                   |
| 10       | 90386-30M60         | BUSH DOUILLE   | 1  | 1  | 1 |                   |
| 11       | 90116-08M54         | BOLT, STUD GOUJON  | 2  | 2  | 2 |                   |
| 12       | 90201-08M06         | WASHER, PLATE RONDELLE, PLATE                              | 2  | 2  | 2 |                   |
| 13       | 66M-44514-00-4D     | MOUNT DAMPER, UPPER SIDE SILENT-BLOC, SUPERIEUR LATERAL    | 1  | 1  | 1 |                   |
| 14       | 66M-44526-00        | PLATE PLAQUE   | 1  | 1  | 1 |                   |
| 15       | 95380-08600         | NUT ECROU  | 2  | 2  | 2 |                   |
| 16       | 66M-44366-00        | DAMPER, WATER SEAL JOINT, TUBE D'EAU                       | 1  | 1  | 1 |                   |
| 17       | 97575-06525         | BOLT, WITH WASHER VIS HEXAGONAL                            | 1  | 1  | 1 |                   |
| 18       | 66M-44551-00-4D     | HOUSING, LOWER MOUNT RUBBER BOITIER, SILENT-BLOC INFERIEUR | 2  | 2  | 2 |                   |
| 19       | 66M-44557-00        | MOUNT DAMPER, LOWER FRONT SILENT-BLOC, INFERIEUR AVANT     | 1  | 1  | 1 |                   |
| 20       | 682-44555-30        | MOUNT DAMPER, LOWER SIDE SILENT-BLOC, INFERIEUR LATERAL    | 2  | 2  | 2 |                   |
| 21       | 90119-08M45         | BOLT, WITH WASHER BOULON, AVEC RONDELLE                    | 2  | 2  | 2 |                   |
| 22       | 90119-08M46         | BOLT, WITH WASHER BOULON, AVEC RONDELLE                    | 2  | 2  | 2 |                   |
| 23       | 90179-08M34         | NUT ECROU  | 4  | 4  | 4 |                   |
| 24       | 63V-48511-01-4D     | HOOK, STEERING ATTACHE, DIRECTION                          |    |    | 1 |                   |
| 25       | 97575-08535         | BOLT, WITH WASHER VIS HEXAGONAL                            |    |    | 1 |                   |
| 26       | 90185-08057         | NUT, SELF-LOCKING ECROU, AUTO-BLOCANT                      |    |    | 1 |                   |



**FWD**  
66MJA-8150

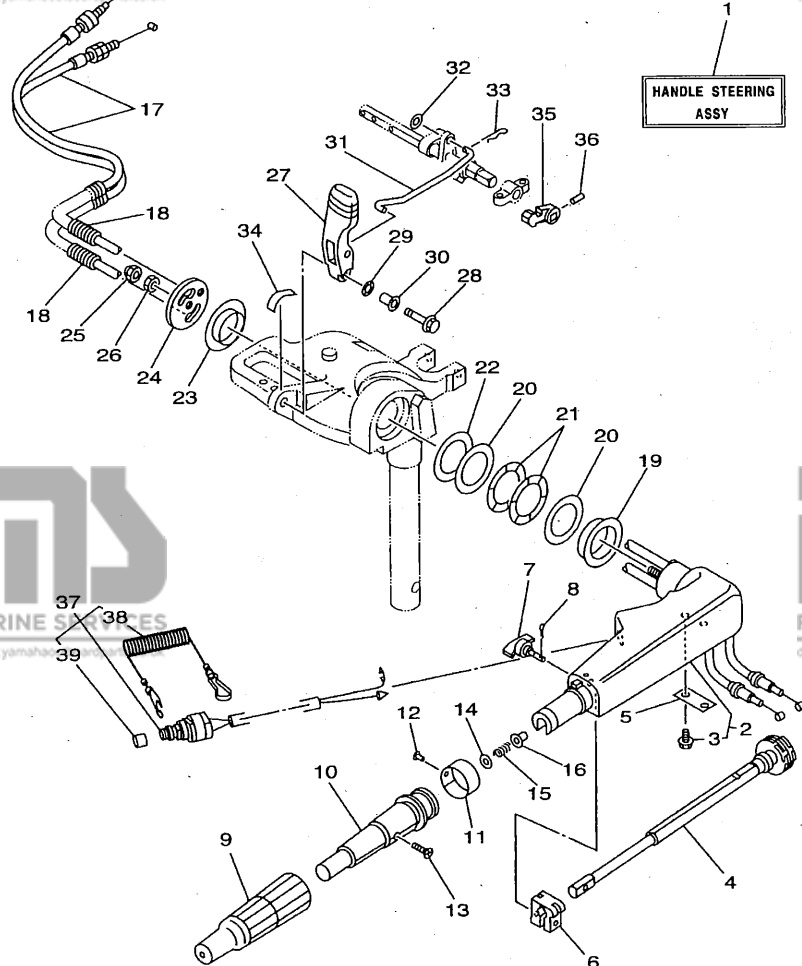
**FIG. 16 STEERING**

**DIRECTION**

| REF. NO.   | PART NO. NO. PIECES                | DESCRIPTION DESCRIPTION  | MH | EH | W | REMARKS REMARQUES |
|--|------------------------------------|--|----|----|---|-------------------|
| 1  | 66M-W0084-00-4D                    | HANDLE STEERING ASSY<br>BARRE FRANCHE (ENS.)<br>(REF.NO. 2-18, 24-26, 37-39) | 1  | 1  |   |                   |
| 2  | 65W-42101-01-4D<br>65W-42101-00-4D | HANDLE, STEERING<br>POIGNEE<br>HANDLE, STEERING<br>POIGNEE                   | 1  | 1  |   | *N<br>*P          |
| 3  | 90109-06M86                        | .BOLT<br>BOULON  | 2  | 2  |   |                   |
| 4  | 65W-42138-00                       | LEVER, THROTTLE<br>LEVIER, ACCELERATEUR                                      | 1  | 1  |   |                   |
| 5  | 65W-42159-00                       | STAY<br>SUPPORT  | 1  | 1  |   |                   |
| 6  | 6G1-42126-00                       | FRICTION, STEERING HANDLE GRIP<br>CUVETTE, POIGNEE DE DIRECTION              | 1  | 1  |   |                   |
| 7  | 65W-42125-00                       | BOLT, FRICTION ADJUSTING<br>BOULON   | 1  | 1  |   |                   |
| 8  | 91490-16010                        | PIN, COTTER<br>GOUPILLE, FENDUE  | 1  | 1  |   |                   |
| 9  | 66M-42177-00                       | RUBBER, HANDLE<br>CAOUTCHOUC, POIGNEE  | 1  | 1  |   |                   |
| 10   | 66M-42119-00                       | GRIP, STEERING HANDLE<br>POIGNEE, BARRE FRANCHE                              | 1  | 1  |   |                   |
| 11   | 689-42137-20                       | INDICATOR, THROTTLE<br>INDICATEUR, ACCELERATION                              | 1  | 1  |   |                   |
| 12   | 90269-02M09                        | RIVET<br>RIVET   | 1  | 1  |   |                   |
| 13   | 90149-05M13                        | SCREW<br>VIS   | 1  | 1  |   |                   |
| 14   | 92903-10600                        | WASHER, PLATE<br>RONDELLE, PLATE   | 1  | 1  |   |                   |
| 15   | 90501-23215                        | SPRING, COMPRESSION<br>RESSORT, COMPRESSION                                  | 1  | 1  |   |                   |
| 16   | 90386-08032                        | BUSH<br>DOUILLE  | 1  | 1  |   |                   |
| 17   | 66M-26311-00                       | CABLE, THROTTLE 1<br>CABLE 1, ACCELERATEUR                                   | 2  | 2  |   |                   |
| 18   | 90446-10M87                        | HOSE<br>DURITE   | 2  | 2  |   |                   |
| 19   | 90386-40MA0                        | BUSH<br>DOUILLE  | 1  | 1  |   |                   |
| 20   | 90201-43M00                        | WASHER, PLATE<br>RONDELLE, PLATE   | 2  | 2  |   |                   |
| *N: MH S; 000456 ~ EH S; 200188 ~<br>L; 300298 ~ L; 500151 ~ |                                    |  |    |    |   |                   |
| *P: MH S; ~ 000455 EH S; ~ 200187<br>L; ~ 300297 L; ~ 500150 |                                    |  |    |    |   |                   |

\*N = COMPONENT OF HANDLE STEERING ASSY  
\*N = CONTENU DE BARRE FRANCHE (ENS.)

**D4**

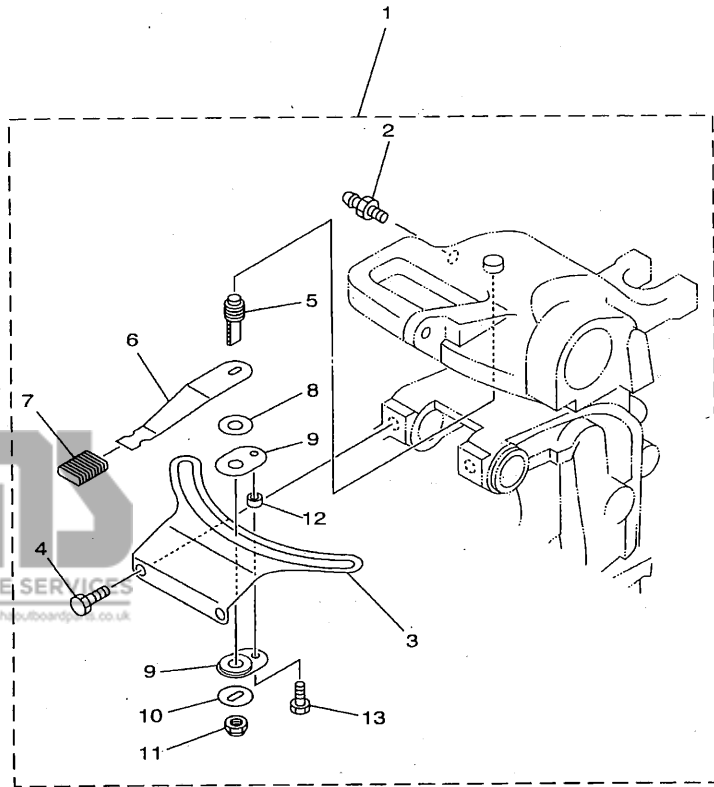


**FIG. 16 STEERING**

**DIRECTION**

| REF. NO. | PART NO. NO. PIECES | DESCRIPTION DESCRIPTION                                      | MH | EH | U | REMARKS REMARQUES |
|----------|---------------------|--|----|----|---|-------------------|
| 21       | 90206-43M22         | WASHER, WAVE<br>RONDELLE, ONDULEE                            | 2  | 2  |   |                   |
| 22       | 90202-43M57         | WASHER, PLATE<br>RONDELLE, PLATE                             | 1  | 1  |   |                   |
| 23       | 90386-40M99         | BUSH<br>DOUILLE  | 1  | 1  |   |                   |
| 24       | 66M-42131-01        | COVER, HANDLE STEERING<br>COUVERCLE                          | 1  | 1  |   | *N                |
|          | 66M-42131-00        | COVER, HANDLE STEERING<br>COUVERCLE                          | 1  | 1  |   | *P                |
| 25       | 95780-10300         | NUT, FLANGE<br>ECROU, A COLLERETTE                           | 1  | 1  |   | *N                |
|          | 90185-08057         | NUT, SELF-LOCKING<br>ECROU, AUTO-BLOCANT                     | 1  | 1  |   | *P                |
| 26       | 95380-10700         | NUT<br>ECROU   | 1  | 1  |   | *N                |
|          | 95380-08600         | NUT<br>ECROU   | 1  | 1  |   | *P                |
| 27       | 66M-44111-00        | HANDLE, GEAR SHIFT<br>POIGNEE, LEVIER D'EMBRAYAGE            | 1  | 1  |   |                   |
| 28       | 97595-06530         | BOLT, WITH WASHER<br>VIS HEXAGONAL                           | 1  | 1  |   |                   |
| 29       | 90206-10M04         | WASHER, WAVE<br>RONDELLE, ONDULEE                            | 1  | 1  | 1 |                   |
| 30       | 90387-06M78         | COLLAR<br>COLLERETTE   | 1  | 1  |   |                   |
| 31       | 66M-44124-00        | LINK, SHIFT ROD<br>BIELLETTTE                                | 1  | 1  |   |                   |
| 32       | 92990-06200         | WASHER, PLAIN<br>RONDELLE, PLATE                             | 1  | 1  |   |                   |
| 33       | 90468-18008         | CLIP<br>JONC   | 1  | 1  |   |                   |
| 34       | 6E0-44191-11        | INDICATOR, SHIFT<br>ETIQUETTE, EMBRAYAGE                     | 1  | 1  |   |                   |
| 35       | 65W-44173-00        | LEVER, SHIFT CONTROL<br>POIGNEE, INVERSION                   |    |    | 1 |                   |
| 36       | 91690-30320         | PIN, SPRING<br>GOUPILLE, ELASTIQUE                           |    |    | 1 |                   |
| 37       | 65W-82575-00        | ENGINE STOP SWITCH ASSY<br>COUPE CIRCUIT CPLT                | 1  | 1  |   |                   |
| 38       | 682-82556-00        | .STOPPER<br>.PLAQUETTE                                       | 1  | 1  |   |                   |
| 39       | 689-8257Y-00        | .CAP<br>.CHAPEAU   | 1  | 1  |   |                   |
|          |                     | *N: MH S; 000456 ~ EH S; 200188 ~<br>L; 300298 ~ L; 500151 ~ |    |    |   |                   |
|          |                     | *P: MH S; ~ 000455 EH S; ~ 200187<br>L; ~ 300297 L; ~ 500150 |    |    |   |                   |

\*N = COMPONENT OF HANDLE STEERING ASSY  
\*N = CONTENU DE BARRE FRANCHE (ENS.)



**FWD**  
66MJA-8160

**FIG. 17 STEERING 2**

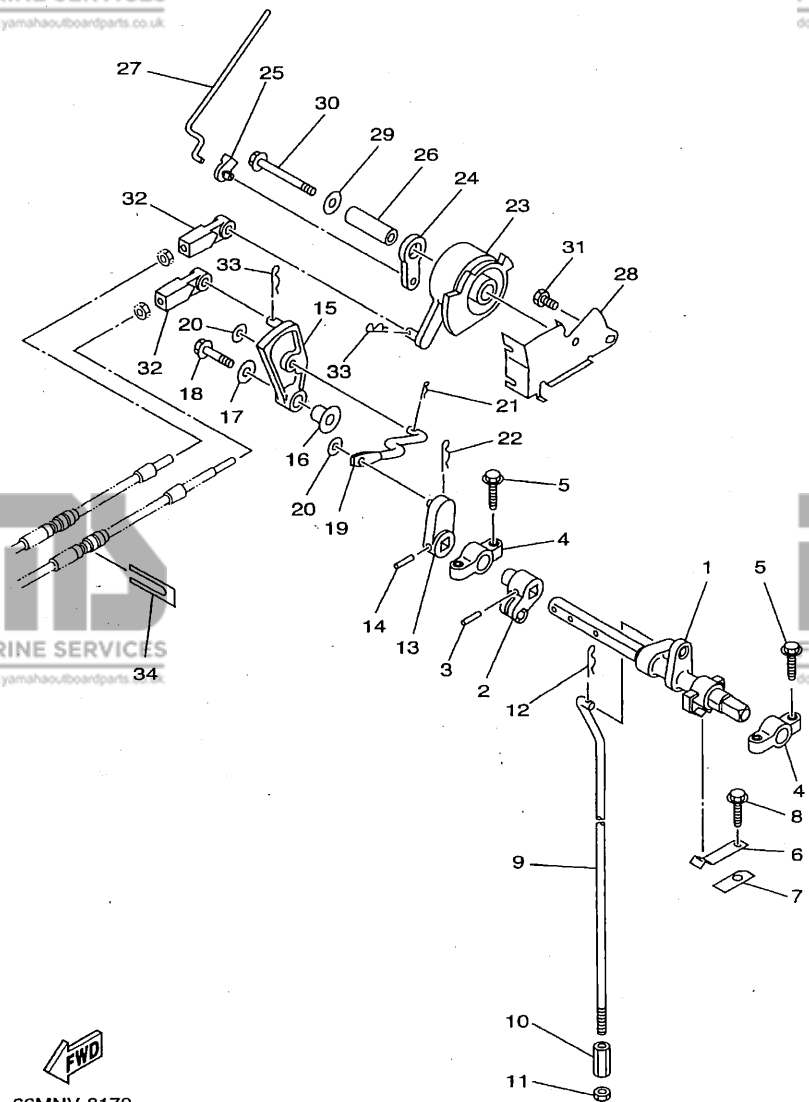
**DIRECTION 2**

| REF. NO. | PART NO. NO. PIECES | DESCRIPTION DESCRIPTION                               | MH | EH | E | REMARKS REMARQUES |
|----------|---------------------|---|----|----|---|-------------------|
| 1        | 66M-42508-00        | STEERING FRICTION ASSY<br>DIRECTION FRICTION (ENS.)   | 1  | 1  |   |                   |
| 2        | 93700-06M03         | .NIPPLE, GREASE<br>.GRAISSEUR                         | 1  | 1  |   |                   |
| 3        | 66M-42527-00        | .PLATE, FRICTION<br>.PLAQUE, FRICTION                 | 1  | 1  |   |                   |
| 4        | 90109-08M91         | .BOLT<br>.BOULON                                      | 2  | 2  |   |                   |
| 5        | 65W-42562-00        | .SHAFT, STEERING LOCK<br>.ARBRE, ANTIVOL DE DIRECTION | 1  | 1  |   |                   |
| 6        | 66M-42561-00        | .KNOB, STEERING LOCK<br>.BOUTON                       | 1  | 1  |   |                   |
| 7        | 689-43633-00        | .COVER, TILT LEVER<br>.COUVERCLE                      | 1  | 1  |   |                   |
| 8        | 90202-10M56         | .WASHER, PLATE<br>.RONDELLE, PLATE                    | 1  | 1  |   |                   |
| 9        | 65W-42528-00        | .PLATE, FRICTION<br>.PLAQUE, FRICTION                 | 2  | 2  |   |                   |
| 10       | 90209-10M26         | .WASHER<br>.RONDELLE                                  | 1  | 1  |   |                   |
| 11       | 90185-10M14         | .NUT, SELF-LOCKING<br>.ECROU, AUTO-BLOCANT            | 1  | 1  |   |                   |
| 12       | 90387-05M11         | .COLLAR<br>.COLLERETTE                                | 1  | 1  |   |                   |
| 13       | 90109-05M89         | .BOLT<br>.BOULON                                      | 1  | 1  |   |                   |

**D6**

FIG. 18 CONTROL

COMMANDE



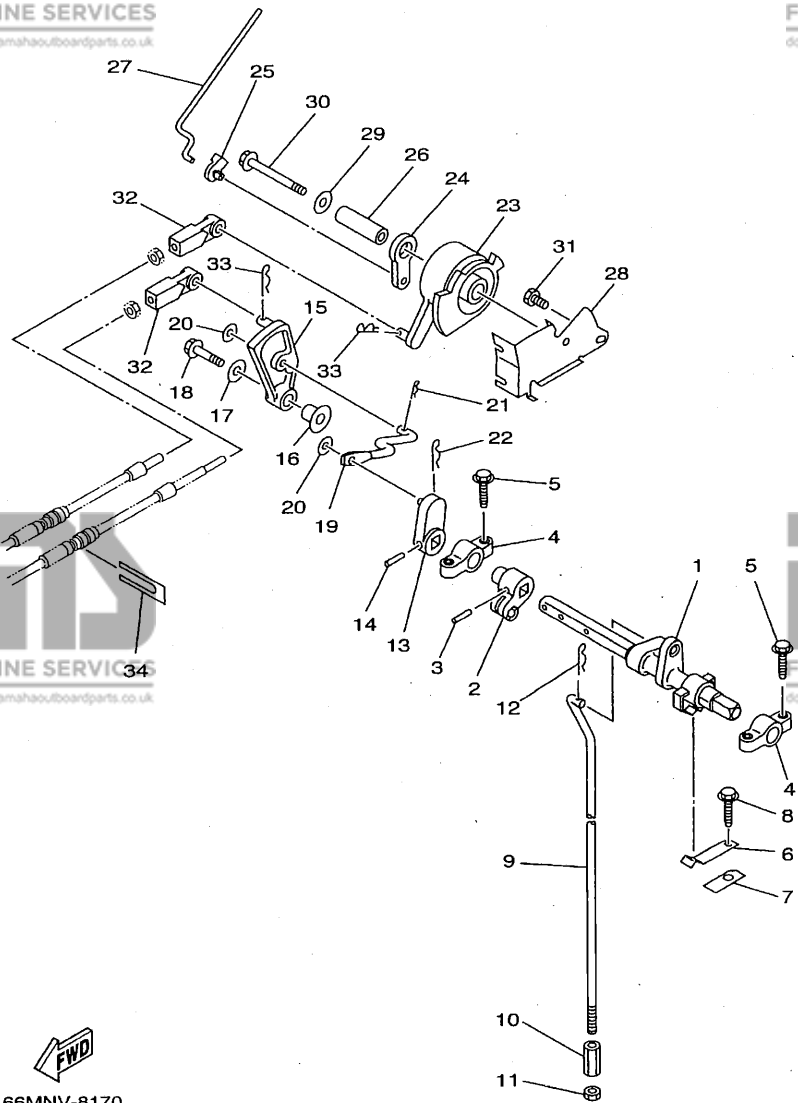
| REF. NO. | PART NO. NO. PIECES | DESCRIPTION DESCRIPTION                                 | MH | EH | W | REMARKS REMARQUES |
|----------|---------------------|---|----|----|---|-------------------|
| 1        | 65W-44121-00        | LEVER, SHIFT ROD<br>LEVIER, TIGE D'INVERSION            | 1  | 1  | 1 |                   |
| 2        | 66M-44122-00        | BUSHING, SHIFT ROD LEVER<br>DOUILLE, LEVIER D'EMBRAYAGE | 1  | 1  | 1 |                   |
| 3        | 91690-30320         | PIN, SPRING<br>GOUPILLE, ELASTIQUE                      | 1  | 1  | 1 |                   |
| 4        | 6F5-41662-00        | BRACKET<br>SUPPORT                                      | 2  | 2  | 2 |                   |
| 5        | 90109-06M81         | BOLT<br>BOULON  | 4  | 4  | 4 |                   |
| 6        | 65W-44116-00        | SPRING<br>RESSORT                                       | 1  | 1  | 1 |                   |
| 7        | 66M-44117-00        | BRACKET<br>SUPPORT                                      | 1  | 1  | 1 |                   |
| 8        | 90109-06M86         | BOLT<br>BOULON  | 1  | 1  | 1 |                   |
| 9        | 66M-44143-00        | ROD, SHIFT<br>TIGE D'EMBRAYAGE                          | 1  | 1  | 1 | UR S              |
|          | 66M-44143-10        | ROD, SHIFT<br>TIGE D'EMBRAYAGE                          | 1  | 1  | 1 | UR L              |
| 10       | 90170-06015         | NUT<br>ECROU  | 1  | 1  | 1 |                   |
| 11       | 95380-06700         | NUT<br>ECROU  | 1  | 1  | 1 |                   |
| 12       | 90468-18008         | CLIP<br>JONC  | 1  | 1  | 1 |                   |
| 13       | 65W-44142-00        | SEAL<br>JOINT   |    |    | 1 |                   |
| 14       | 91690-30320         | PIN, SPRING<br>GOUPILLE, ELASTIQUE                      |    |    | 1 |                   |
| 15       | 65W-44125-00        | LEVER, SHIFT ROD<br>LEVIER, TIGE D'INVERSION            |    |    | 1 |                   |
| 16       | 90387-06M29         | COLLAR<br>COLLERETTE                                    |    |    | 1 |                   |
| 17       | 90201-06M31         | WASHER, PLATE<br>RONDELLE, PLATE                        |    |    | 1 |                   |
| 18       | 97595-06525         | BOLT, WITH WASHER<br>VIS HEXAGONAL                      |    |    | 1 |                   |
| 19       | 66M-44192-00        | JOINT, ROD 1<br>RACCORD 1, BIELLETTE                    |    |    | 1 |                   |
| 20       | 90201-05M06         | WASHER, PLATE<br>RONDELLE, PLATE                        |    |    | 2 |                   |
| 21       | 90468-10005         | CLIP<br>JONC  |    |    | 1 |                   |
| 22       | 90468-18008         | CLIP<br>JONC  |    |    | 1 |                   |
| 23       | 65W-41638-00        | PULLEY<br>POULIE  | 1  | 1  | 1 |                   |
| 24       | 65W-41283-00        | LEVER, FREE ACCEL.<br>LEVIER                            | 1  | 1  | 1 |                   |
| 25       | 661-41262-02        | JOINT, CHOKÉ LEVER<br>RACCORD, LEVIER DE STARTER        | 1  | 1  | 1 |                   |
| 26       | 90387-06M08         | COLLAR<br>COLLERETTE                                    | 1  | 1  | 1 |                   |



66MNV-8170

**D7**





66MNV-8170

FIG. 18 CONTROL

COMMANDE

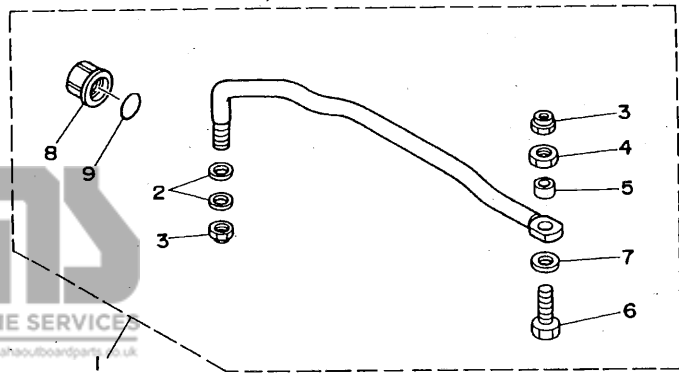
| REF. NO. | PART NO. NO. PIECES | DESCRIPTION DESCRIPTION                    | M/H | E/T | W | REMARKS REMARQUES |
|----------|---------------------|--|-----|-----|---|-------------------|
| 27       | 66M-41211-00        | LINK, ACCEL.<br>BIELLETTTE, ACCELERATION   | 1   | 1   | 1 |                   |
| 28       | 65W-14497-00        | STAY, THROTTLE WIRE<br>SUPPORT DE BOISSEAU | 1   | 1   | 1 |                   |
| 29       | 90201-06M31         | WASHER, PLATE<br>RONDELLE, PLATE           | 1   | 1   | 1 |                   |
| 30       | 97595-06555         | BOLT, WITH WASHER<br>VIS HEXAGONAL         | 1   | 1   | 1 |                   |
| 31       | 97095-06010         | BOLT<br>BOULON                             | 1   | 1   | 1 |                   |
| 32       | 663-48344-00        | CABLE END, REMOTE CONTROL<br>CHAPE CABLE   |     |     | 2 |                   |
| 33       | 90468-18008         | CLIP<br>JONC                               |     |     | 2 |                   |
| 34       | 6H3-48538-00        | CLAMP, CABLE 1<br>COLLIER                  |     |     | 1 |                   |

E1

**FIG. 19 STEERING GUIDE ATTACHMENT 1**

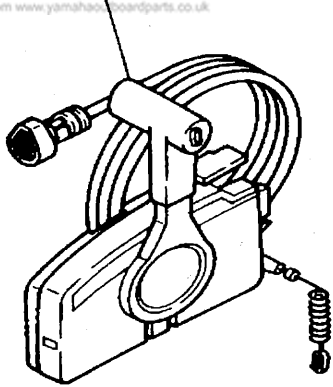
**DIRECTION GUIDE ACCESSOIRE 1**

| REF. NO. | PART NO. NO. PIECES | DESCRIPTION DESCRIPTION                                 | MH | EH | U | REMARKS REMARQUES |
|----------|---------------------|---|----|----|---|-------------------|
| 1        | 63V-61350-00        | STEERING GUIDE ATTACHMENT KIT<br>FIXATIONS DE DIRECTION |    |    | 1 |                   |
| 2        | 90201-10M20         | .WASHER, PLATE<br>.RONDELLE, PLATE                      |    |    | 2 |                   |
| 3        | 90185-09M01         | .NUT, SELF-LOCKING<br>.ECROU, AUTO-BLOCANT              |    |    | 2 |                   |
| 4        | 90170-09M03         | .NUT<br>.ECROU  |    |    | 1 |                   |
| 5        | 90387-10M42         | .COLLAR<br>.COLLERETTE                                  |    |    | 1 |                   |
| 6        | 6E5-61355-00        | .BOLT<br>.BOULON  |    |    | 1 |                   |
| 7        | 90201-10M63         | .WASHER, PLATE<br>.RONDELLE, PLATE                      |    |    | 1 |                   |
| 8        | 6E5-43145-01        | .CAP, CLAMP BRACKET<br>.CAPUCHON, PRESSE                |    |    | 1 |                   |
| 9        | 93210-16275         | .O-RING<br>.JOINT TORIQUE                               |    |    | 1 |                   |



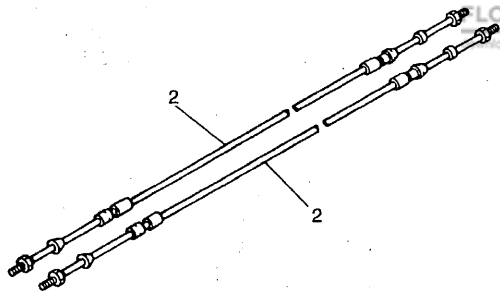
63VNV-5140

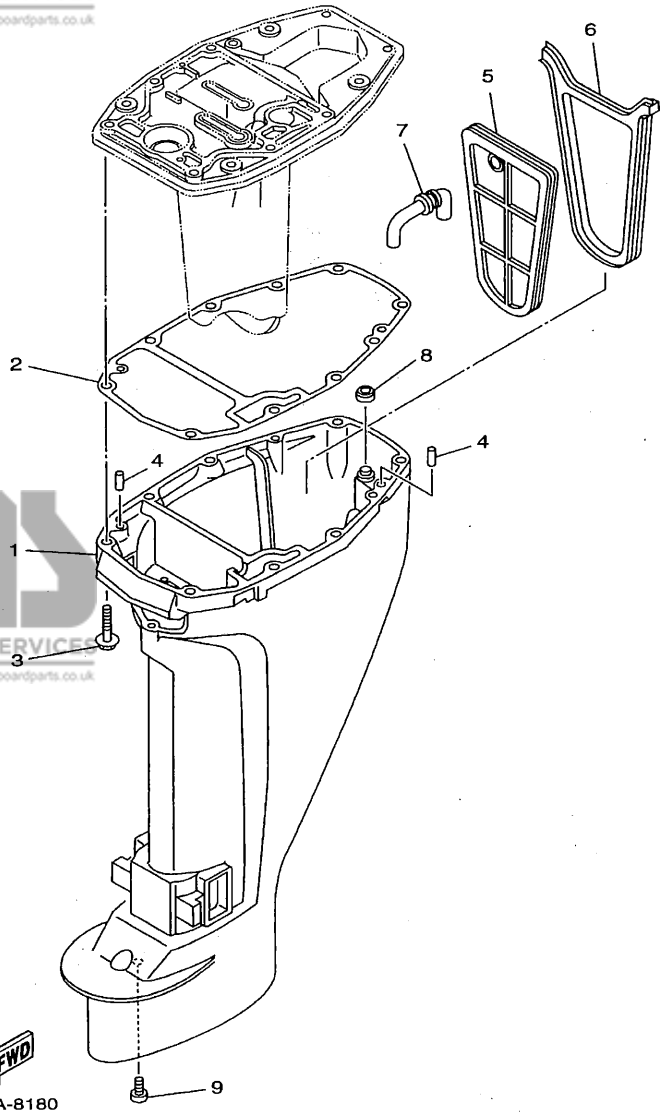
**E2**



**FIG. 20 REMOTE CONTROL ASSY 1 BOITIER DE COMMANDE A DISTANCE**

| REF. NO.   | PART NO. NO. PIECES | DESCRIPTION DESCRIPTION                                   | M/H | E/I | W | REMARKS REMARQUES |
|--|---------------------|---|-----|-----|---|-------------------|
| 1  | 703-48203-14        | REMOTE CONTROL ASSY *<br>BOITIER DE COMMANDE A DISTANCE * |     |     | 1 | PUSH, 7P          |
| 2  | 701-48310-80        | CABLE, REMOTE CONTROL<br>CABLE, COMMANDE A DISTANCE       |     |     | 2 | UR L:10F          |
|  | 701-48310-90        | CABLE, REMOTE CONTROL<br>CABLE, COMMANDE A DISTANCE       |     |     | 2 | UR L:11F          |
|  | 701-48320-00        | CABLE, REMOTE CONTROL<br>CABLE, COMMANDE A DISTANCE       |     |     | 2 | UR L=12F          |
| <p>* SEE "RIGGING PARTS APPLICATION" PARTS CATALOGUE FOR COMPONENT PARTS.</p> <p>* POUR CONTENU PIECES, VOIR LA CATALOGUE DE "PIECES DE GREEMENT".</p> |                     |   |     |     |   |                   |



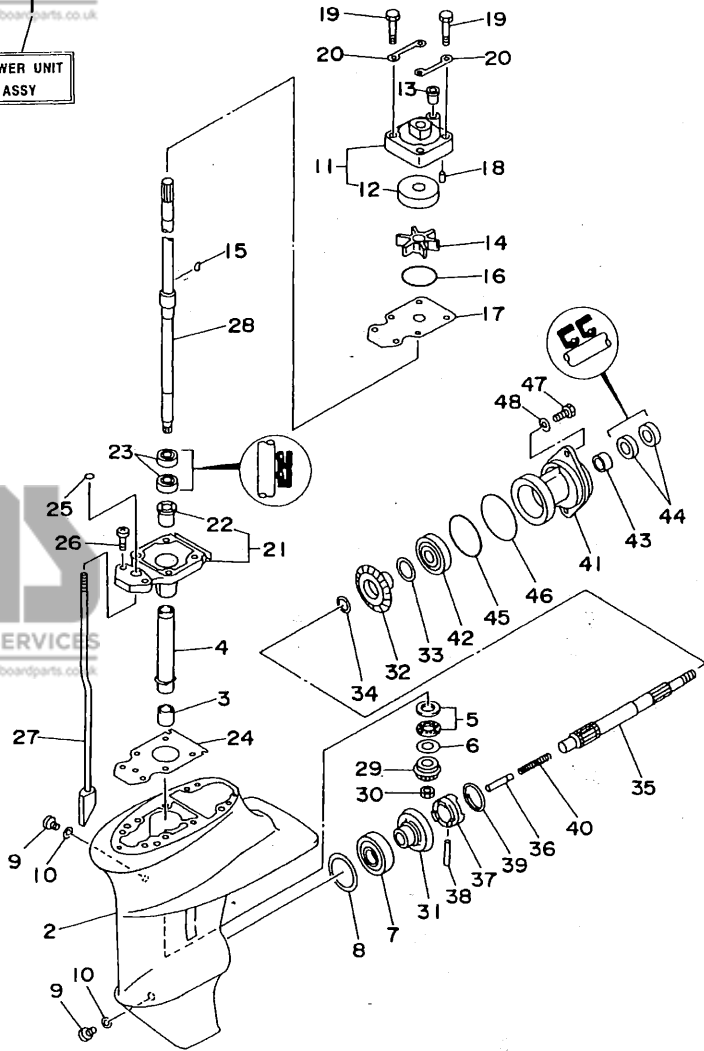


**FIG. 21 UPPER CASING**

**FOURREAU**

| REF. NO. | PART NO. / NO. PIECES | DESCRIPTION / DESCRIPTION                | MH | EH | W | REMARKS / REMARQUES |
|----------|-----------------------|--|----|----|---|---------------------|
| 1        | 66M-45111-00-4D       | CASING, UPPER FOURREAU                   | 1  | 1  | 1 | UR S                |
|          | 66M-45111-10-4D       | CASING, UPPER FOURREAU                   | 1  | 1  | 1 | UR L                |
| 2        | 66M-45113-00          | GASKET, UPPER CASING JOINT, TUBE D'ARBRE | 1  | 1  | 1 |                     |
| 3        | 97575-08545           | BOLT, WITH WASHER VIS HEXAGONAL          | 6  | 6  | 6 |                     |
| 4        | 93606-12019           | PIN, DOWEL GOUJON                        | 2  | 2  | 2 |                     |
| 5        | 66M-45126-00          | PLATE, SEAL DAMPER PLAQUETTE             | 1  | 1  | 1 |                     |
| 6        | 66M-45115-00          | GASKET, UPPER CASING JOINT, TUBE D'ARBRE | 1  | 1  | 1 |                     |
| 7        | 66M-45136-00          | PIPE DURITE                              | 1  | 1  | 1 |                     |
| 8        | 66M-45128-00          | SEAL 2 JOINT 2                           | 1  | 1  | 1 |                     |
| 9        | 90157-06M06           | SCREW, PAN HEAD VIS, TETE TRONCONIQUE    | 1  | 1  | 1 |                     |

LOWER UNIT ASSY



63VJA-5142

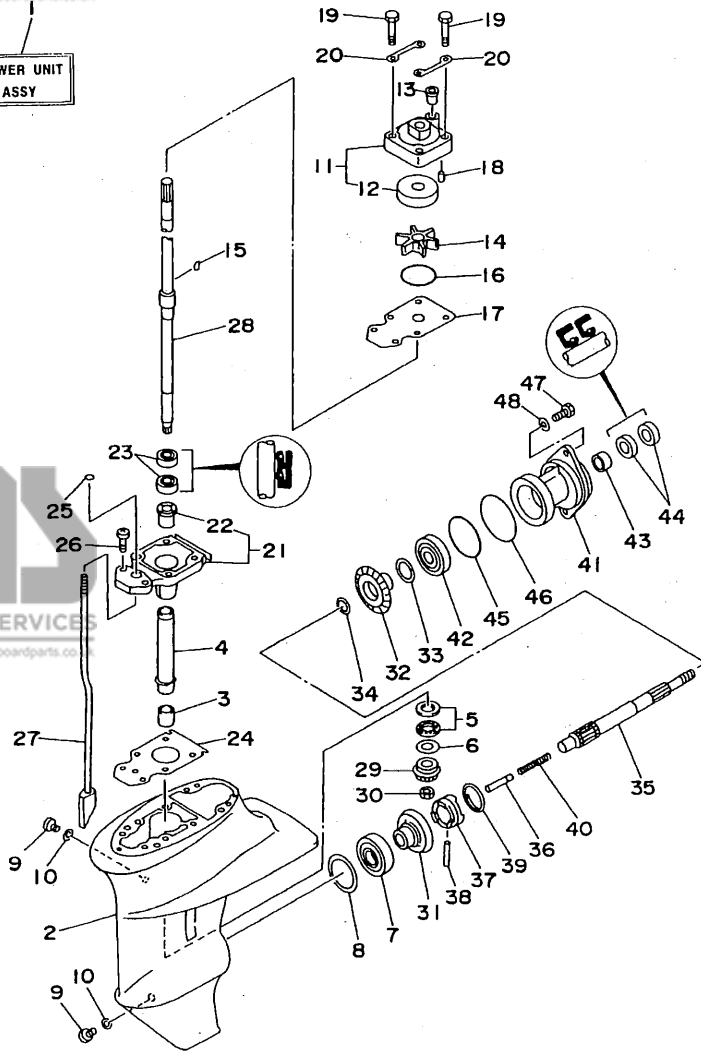
**FIG. 22 LOWER CASING. DRIVE 1**

**BOITIERD'HELICE, TRANSMISSION**

| REF. NO. | PART NO. NO. PIECES | DESCRIPTION DESCRIPTION  | MH | HT | W | REMARKS REMARQUES |
|----------|---------------------|--|----|----|---|-------------------|
| 1        | 66M-45300-00-4D     | LOWER UNIT ASSY<br>UNITE INFERIEURE (ENS.)<br>(REF.NO. 2~48, FIG .23, REF.NO. 13 ) | 1  | 1  | 1 | UR S              |
|          | 66M-45300-10-4D     | LOWER UNIT ASSY<br>UNITE INFERIEURE (ENS.)<br>(REF.NO. 2~48, FIG .23, REF.NO. 13 ) | 1  | 1  | 1 | UR L              |
| 2        | 66M-45311-00-4D     | CASING, LOWER<br>BOITIER D'HELICE  | 1  | 1  | 1 | UR S              |
|          | 63V-45311-01-4D     | CASING, LOWER<br>BOITIER D'HELICE  | 1  | 1  | 1 | UR L              |
| 3        | 93315-314V8         | BEARING<br>ROULEMENT   | 1  | 1  | 1 |                   |
| 4        | 63V-45536-00        | SLEEVE, DRIVE SHAFT<br>MANCHON, ARBRE MOTEUR                                       | 1  | 1  | 1 |                   |
| 5        | 93341-414V1         | BEARING<br>ROULEMENT   | 1  | 1  | 1 |                   |
| 6        | 6E8-45587-00-13     | SHIM (T:1.13MM)<br>CALE (T:1.13MM)   | 1  | 1  | 1 | UR                |
|          | 6E8-45587-00-20     | SHIM (T:1.20MM)<br>CALE (T:1.20MM)   | 1  | 1  | 1 | UR                |
| 7        | 93332-00005         | BEARING<br>ROULEMENT   | 1  | 1  | 1 |                   |
| 8        | 664-45567-01-10     | SHIM (T:0.10MM)<br>CALE (T:0.10MM)   | 1  | 1  | 1 | UR                |
|          | 664-45567-01-12     | SHIM (T:0.12MM)<br>CALE (T:0.12MM)   | 1  | 1  | 1 | UR                |
|          | 664-45567-01-15     | SHIM (T:0.15MM)<br>CALE (T:0.15MM)   | 1  | 1  | 1 | UR                |
|          | 664-45567-01-18     | SHIM (T:0.18MM)<br>CALE (T:0.18MM)   | 1  | 1  | 1 | UR                |
|          | 664-45567-01-30     | SHIM (T:0.30MM)<br>CALE (T:0.30MM)   | 1  | 1  | 1 | UR                |
|          | 664-45567-01-40     | SHIM (T:0.40MM)<br>CALE (T:0.40MM)   | 1  | 1  | 1 | UR                |
|          | 664-45567-01-50     | SHIM (T:0.50MM)<br>CALE (T:0.50MM)   | 1  | 1  | 1 | UR                |
| 9        | 90340-08M04         | PLUG, STRAIGHT SCREW<br>PLOT, FILETE DROIT   | 2  | 2  | 2 |                   |
| 10       | 90430-08020         | GASKET<br>JOINT  | 2  | 2  | 2 |                   |
| 11       | 63V-44301-00        | WATER PUMP HOUSING COMP.<br>CARTER, POMPE A EAU (ENS)                              | 1  | 1  | 1 |                   |
| 12       | 63V-44322-00        | .INSERT, CARTRIDGE<br>.CUVETTE   | 1  | 1  | 1 |                   |
| 13       | 647-44366-00        | DAMPER, WATER SEAL<br>JOINT, TUBE D'EAU  | 1  | 1  | 1 |                   |
| 14       | 63V-44352-01        | IMPELLER<br>TURBINE  | 1  | 1  | 1 |                   |
| 15       | 664-44338-00        | KEY, WOODRUFF<br>CLAVETTE, VOLANT  | 1  | 1  | 1 |                   |
| 16       | 93210-44398         | O-RING<br>JOINT TORIQUE  | 1  | 1  | 1 |                   |

**E5**

LOWER UNIT  
ASSY



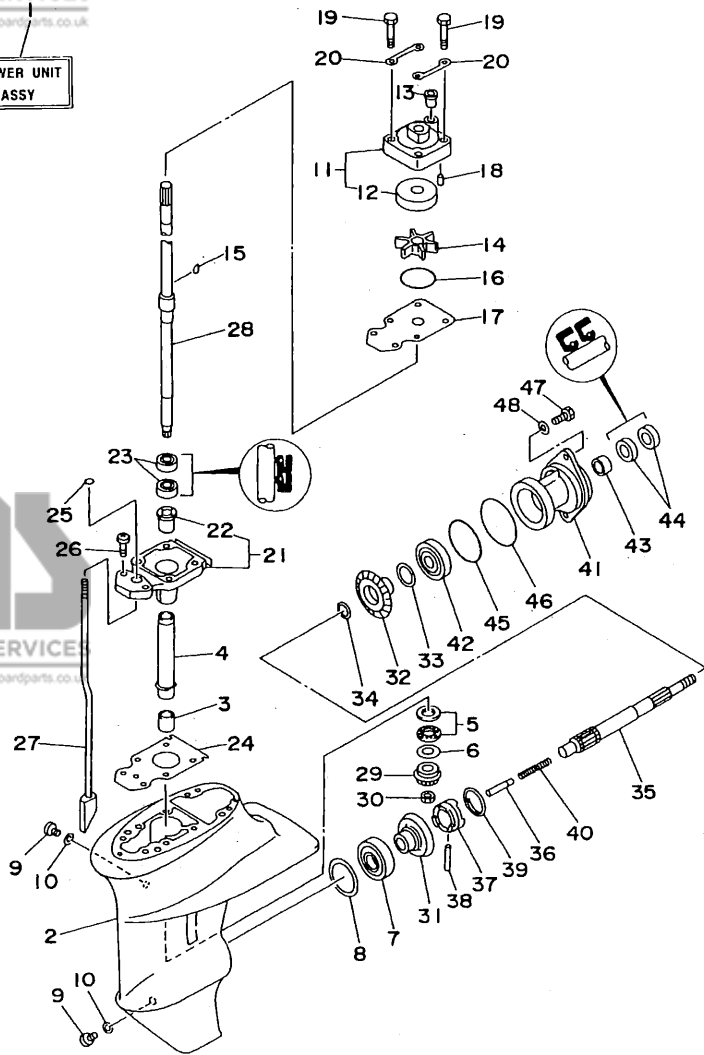
63VJA-5142

FIG. 22 LOWER CASING. DRIVE 1

BOITIER D'HELICE, TRANSMISSION

| REF. NO. | PART NO. NO. PIECES | DESCRIPTION DESCRIPTION                          | MH | EH | W | REMARKS REMARQUES |
|----------|---------------------|--|----|----|---|-------------------|
| 17       | 63V-44323-00        | OUTER PLATE, CARTRIDGE<br>PLAQUE EXTERIEURE      | 1  | 1  | 1 |                   |
| 18       | 93604-12M07         | PIN, DOWEL<br>GOUJON                             | 2  | 2  | 2 |                   |
| 19       | 97080-08045         | BOLT<br>BOULON                                   | 4  | 4  | 4 |                   |
| 20       | 63V-44328-00        | PLATE<br>PLAQUETTE                               | 2  | 2  | 2 |                   |
| 21       | 63V-45331-00-5B     | HOUSING, BEARING<br>FLASQUE, ROULEMENT           | 1  | 1  | 1 |                   |
| 22       | 90381-14020         | BUSH, SOLID<br>.DOUILLE, SOLIDE                  | 1  | 1  | 1 |                   |
| 23       | 93101-20048         | OIL SEAL<br>JOINT SPY                            | 2  | 2  | 2 |                   |
| 24       | 63V-45315-A0        | PACKING, LOWER CASING<br>JOINT, BOITIER D'HELICE | 1  | 1  | 1 |                   |
| 25       | 93210-06ME6         | O-RING<br>JOINT TORIQUE                          | 1  | 1  | 1 |                   |
| 26       | 97080-08025         | BOLT<br>BOULON                                   | 2  | 2  | 2 |                   |
| 27       | 63V-44150-00        | SHIFT CAM ASSY<br>CAME D'INVERSION               | 1  | 1  | 1 | UR S              |
|          | 66M-44150-10        | SHIFT CAM ASSY<br>CAME D'INVERSION               | 1  | 1  | 1 | UR L              |
| 28       | 63V-45510-01        | DRIVE SHAFT ASSY<br>ARBRE MOTEUR (ENS.)          | 1  | 1  | 1 | UR S              |
|          | 63V-45510-11        | DRIVE SHAFT ASSY<br>ARBRE MOTEUR (ENS.)          | 1  | 1  | 1 | UR L              |
| 29       | 63V-45551-00S       | PINION<br>PIGNON D'ATTAQUE                       | 1  | 1  | 1 |                   |
| 30       | 90179-08M06         | NUT<br>ECROU                                     | 1  | 1  | 1 |                   |
| 31       | 6E7-45560-00        | GEAR<br>PIGNON                                   | 1  | 1  | 1 |                   |
| 32       | 6E7-45571-00        | GEAR<br>PIGNON                                   | 1  | 1  | 1 |                   |
| 33       | 626-45577-00-01     | SHIM (0.1MM)<br>CALE (0.1MM)                     | 1  | 1  | 1 | UR                |
|          | 626-45577-00-03     | SHIM (0.3MM)<br>CALE (0.3MM)                     | 1  | 1  | 1 | UR                |
|          | 626-45577-00-05     | SHIM (0.5MM)<br>CALE (0.5MM)                     | 1  | 1  | 1 | UR                |
| 34       | 90201-17682         | WASHER, PLATE<br>RONDELLE, PLATE                 | 1  | 1  | 1 |                   |
| 35       | 683-45611-00        | SHAFT, PROPELLER<br>ARBRE, HELICE                | 1  | 1  | 1 |                   |
| 36       | 650-45635-00        | PLUNGER, SHIFT<br>POUSSOIR D'EMBRAYAGE           | 1  | 1  | 1 |                   |
| 37       | 682-45631-00        | CLUTCH, DOG<br>CRABOT                            | 1  | 1  | 1 |                   |
| 38       | 90250-05010         | PIN, STRAIGHT<br>GOUPILE, DROITE                 | 1  | 1  | 1 |                   |
| 39       | 648-45633-00        | RING, CROSS PIN<br>JONC, GOUPILLE CRABOT         | 1  | 1  | 1 |                   |

LOWER UNIT  
ASSY



63VJA-5142

FIG. 22 LOWER CASING. DRIVE 1

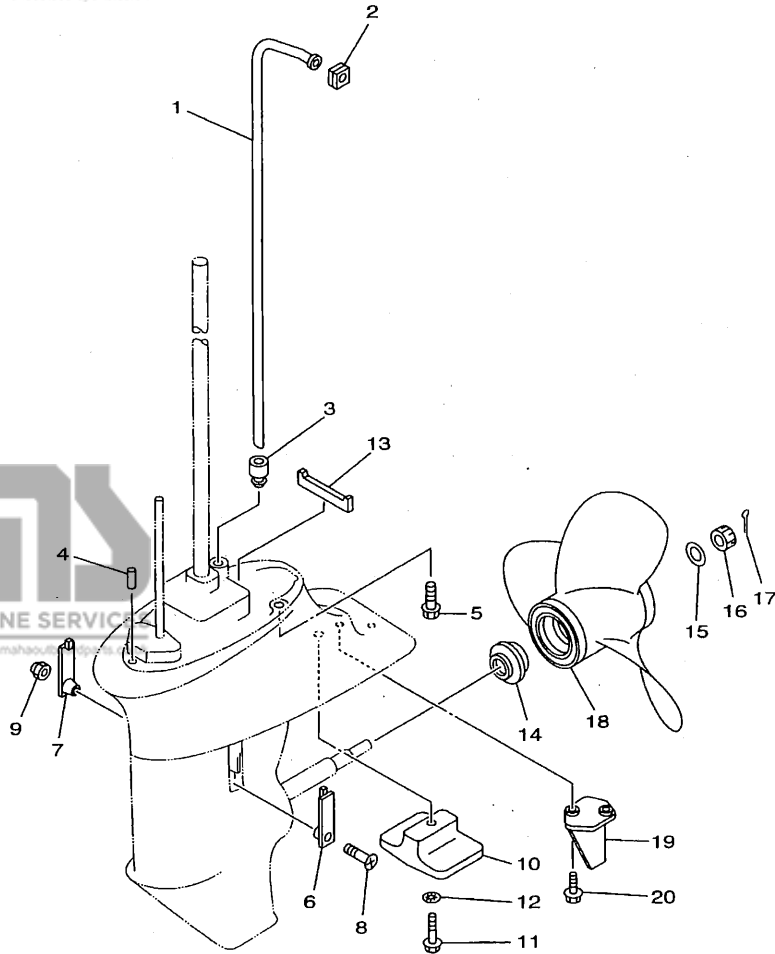
BOITIER D'HELICE, TRANSMISSION

| REF. NO. | PART NO. NO. PIECES | DESCRIPTION DESCRIPTION                          | MH | EH | W | REMARKS REMARQUES |
|----------|---------------------|--|----|----|---|-------------------|
| 40       | 90501-14M06         | SPRING, COMPRESSION<br>RESSORT, COMPRESSION      | 1  | 1  | 1 |                   |
| 41       | 683-45361-02-4D     | CAP, LOWER CASING<br>COUVERCLE, BOITIER D'HELICE | 1  | 1  | 1 |                   |
| 42       | 93306-00501         | BEARING (B6005)<br>ROULEMENT (B6005)             | 1  | 1  | 1 |                   |
| 43       | 93315-317U2         | BEARING<br>ROULEMENT                             | 1  | 1  | 1 |                   |
| 44       | 93101-17054         | OIL SEAL<br>JOINT SPY                            | 2  | 2  | 2 |                   |
| 45       | 93210-57M09         | O-RING<br>JOINT TORIQUE                          | 1  | 1  | 1 |                   |
| 46       | 93210-56M80         | O-RING<br>JOINT TORIQUE                          | 1  | 1  | 1 |                   |
| 47       | 97095-06020         | BOLT<br>BOULON                                   | 2  | 2  | 2 |                   |
| 48       | 92995-06600         | WASHER<br>RONDELLE                               | 2  | 2  | 2 |                   |

E7

FIG. 23 LOWER CASING. DRIVE 2

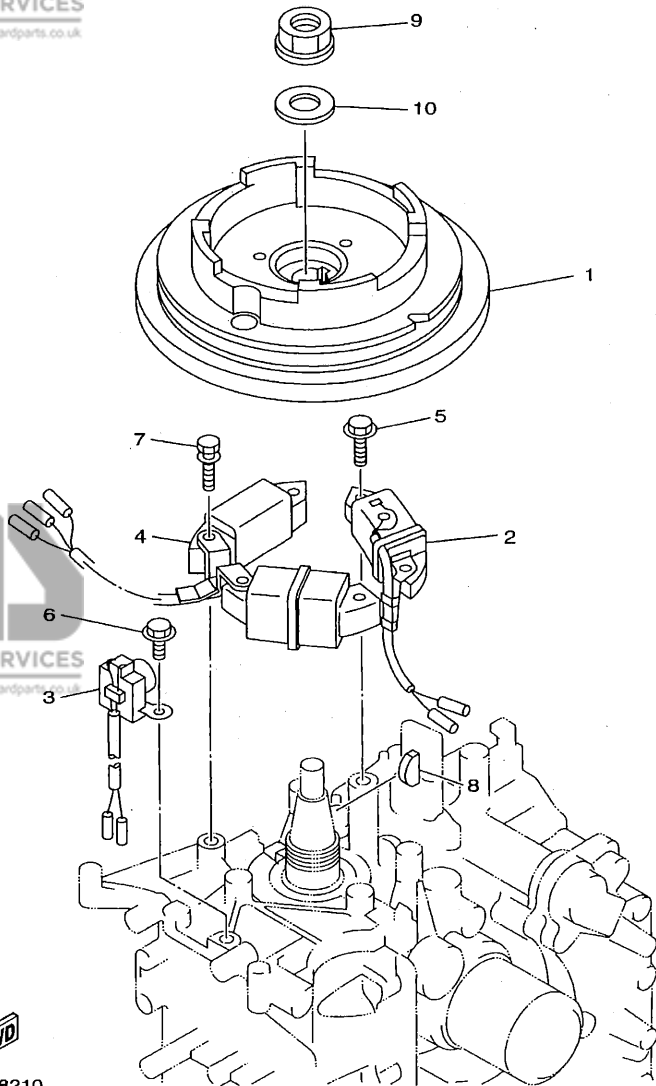
BOITIER D'HELICE, TRANSMISSION



**FWD**  
66MJA-8200

| REF. NO. | PART NO. / E S E | DESCRIPTION / DESCRIPTION                                  | MH | EH | W | REMARKS / REMARQUES |
|----------|------------------|--|----|----|---|---------------------|
| 1        | 66M-44361-00     | TUBE, WATER / TUBE D'EAU                                   | 1  | 1  | 1 | UR S                |
|          | 66M-44361-10     | TUBE, WATER / TUBE D'EAU                                   | 1  | 1  | 1 | UR L                |
| 2        | 63V-44365-10     | DAMPER, WATER SEAL JOINT, TUBE D'EAU                       | 1  | 1  | 1 |                     |
| 3        | 63V-44368-00     | RUBBER, WATER SEAL 4 CAOUTCHOU EAU JUNTA 4                 | 1  | 1  | 1 |                     |
| 4        | 93604-12M07      | PIN, DOWEL / GOUJON  | 2  | 2  | 2 |                     |
| 5        | 97575-08530      | BOLT, WITH WASHER VIS HEXAGONAL                            | 4  | 4  | 4 |                     |
| 6        | 6G1-45214-00     | COVER, WATER INLET GRILLE, ENTREE D'EAU                    | 1  | 1  | 1 |                     |
| 7        | 63V-45215-00     | COVER, WATER INLET GRILLE, ENTREE D'EAU                    | 1  | 1  | 1 |                     |
| 8        | 98180-05025      | SCREW, OVAL HEAD VIS, TETE OVALE                           | 1  | 1  | 1 |                     |
| 9        | 90185-05002      | NUT, SELF-LOCKING ECROU, AUTO-BLOCANT                      | 1  | 1  | 1 |                     |
| 10       | 61N-45251-00     | ANODE  | 1  | 1  | 1 |                     |
| 11       | 95895-06030      | BOLT, FLANGE BOULON, A COLLERETTE                          | 1  | 1  | 1 |                     |
| 12       | 92990-06300      | WASHER, INTERNAL TOOTH RONDELLE, DENTURE INTERNE           | 1  | 1  | 1 |                     |
| 13       | 63V-45375-00     | DAMPER, SEAL BOURRELET, CAOUTCHOU                          | 1  | 1  | 1 |                     |
| 14       | 6E7-45987-01     | SPACER ENTRETROISE   | 1  | 1  | 1 |                     |
| 15       | 90201-10M01      | WASHER, PLATE RONDELLE, PLATE                              | 1  | 1  | 1 |                     |
| 16       | 90171-10M01      | NUT, CASTLE ECROU, CRENELE                                 | 1  | 1  | 1 |                     |
| 17       | 91490-30020      | PIN, COTTER GOUPILLE, FENDUE                               | 1  | 1  | 1 |                     |
| 18       | 63V-45947-00-EL  | PROPELLER (3X9-1/4"X8-3/8"-J) HELICE (3X9-1/4"X8-3/8"-J)   | 1  | 1  | 1 | UR                  |
|          | 683-45941-00-EL  | PROPELLER (3X9-1/4"X12"-J) HELICE (3X9-1/4"X12"-J)         | 1  | 1  | 1 | UR                  |
|          | 683-45943-00-EL  | PROPELLER (3X9-1/4"X10-1/2"-J) HELICE (3X9-1/4"X10-1/2"-J) | 1  | 1  | 1 | UR                  |
|          | 683-45945-00-EL  | PROPELLER (3X9-1/4"X9"-J) HELICE (3X9-1/4"X9"-J)           | 1  | 1  | 1 | UR                  |
|          | 683-45952-00-EL  | PROPELLER (3X9-1/4"X9-3/4"-J) HELICE (3X9-1/4"X9-3/4"-J)   | 1  | 1  | 1 | UR                  |
| 19       | 66M-45371-00     | TAB-TRIM ANODE DERIVE                                      | 1  | 1  | 1 |                     |
| 20       | 97595-06516      | BOLT, WITH WASHER VIS HEXAGONAL                            | 2  | 2  | 2 |                     |

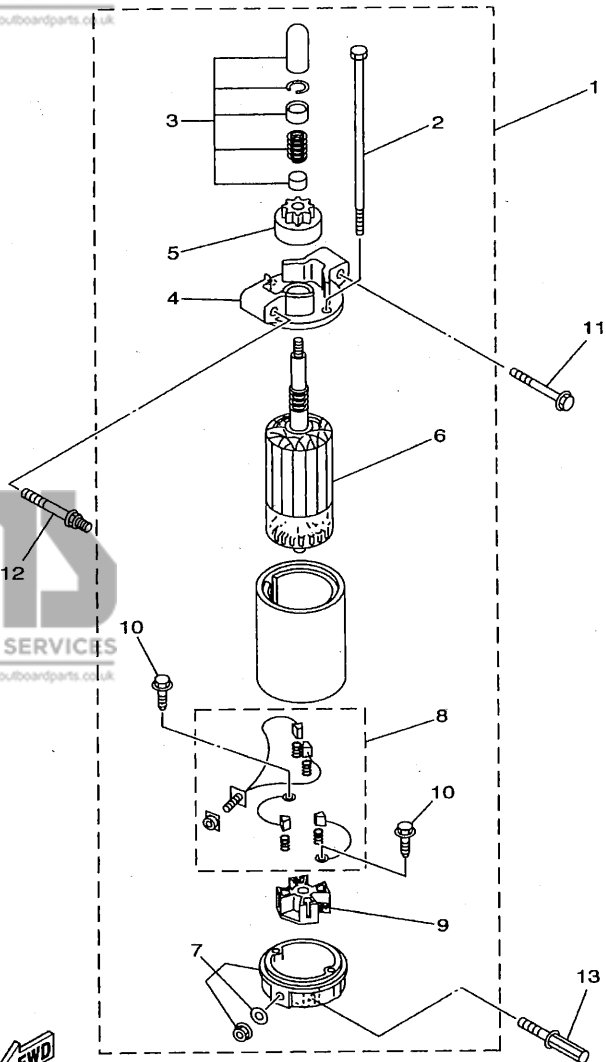




**FIG. 24 GENERATOR**

**GENERATRICE**

| REF. NO. | PART NO. NO. PIECES | DESCRIPTION DESCRIPTION              | MH | EH | U | REMARKS REMARQUES |
|----------|---------------------|--------------------------------------|----|----|---|-------------------|
| 1        | 66M-85550-00        | ROTOR ASSY<br>ROTOR CPLT             | 1  |    |   | M                 |
|          | 66M-85550-10        | ROTOR ASSY<br>ROTOR CPLT             |    | 1  | 1 | E                 |
| 2        | 66M-85520-00        | COIL, CHARGE<br>BOBINE, CHARGE       | 1  | 1  | 1 |                   |
| 3        | 66M-85580-00        | COIL, PULSER<br>BOBINE, PULSEUR      | 1  | 1  | 1 |                   |
| 4        | 66M-85533-00        | COIL, LIGHTING<br>BOBINE, ECLAIRAGE  | 1  | 1  |   | 6A                |
|          | 66M-85533-10        | COIL, LIGHTING<br>BOBINE, ECLAIRAGE  |    |    | 1 | 10A               |
| 5        | 97595-06625         | BOLT, WITH WASHER<br>VIS HEXAGONAL   | 2  | 2  | 2 |                   |
| 6        | 97595-06516         | BOLT, WITH WASHER<br>VIS HEXAGONAL   | 2  | 2  | 2 |                   |
| 7        | 97595-06530         | BOLT, WITH WASHER<br>VIS HEXAGONAL   | 4  | 4  |   |                   |
|          | 97595-06540         | BOLT, WITH WASHER<br>VIS HEXAGONAL   |    |    | 4 |                   |
| 8        | 90280-05013         | KEY, WOODRUFF<br>CLAVETTE, DEMI-LUNE | 1  | 1  | 1 |                   |
| 9        | 90179-16M05         | NUT<br>ECROU                         | 1  | 1  | 1 |                   |
| 10       | 90201-16M44         | WASHER, PLATE<br>RONDELLE, PLATE     | 1  | 1  | 1 |                   |



66MJA-8220

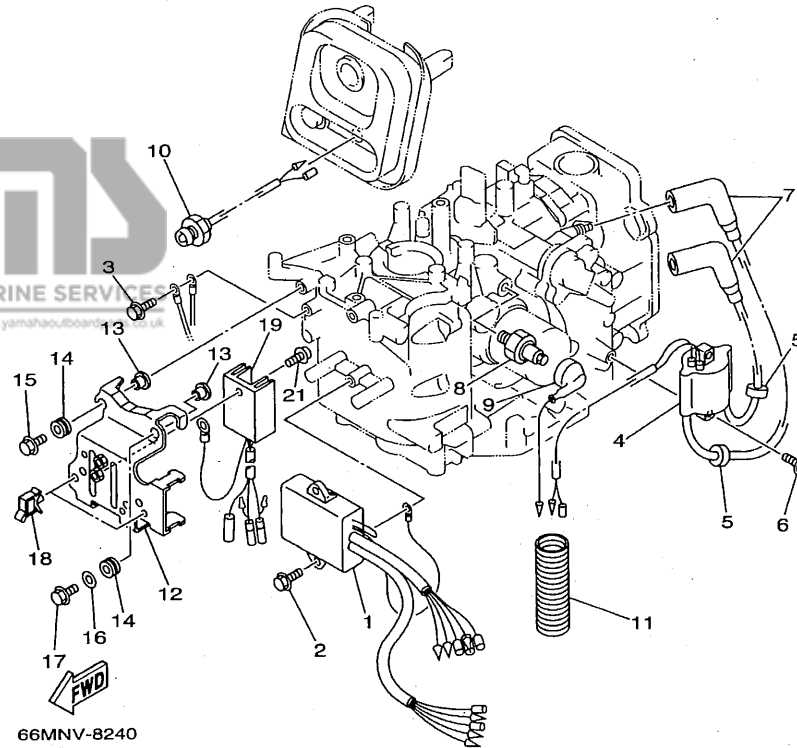
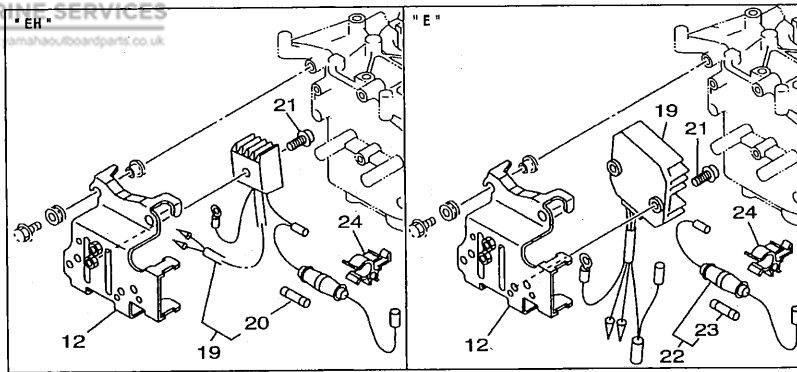
FIG. 25 STARTING MOTOR

DEMARREUR ELECTRIQUE

| REF. NO. | PART NO. / NO. PIECES | DESCRIPTION / DESCRIPTION                                  | MH | EH | W | REMARKS / REMARQUES |
|----------|-----------------------|--|----|----|---|---------------------|
| 1        | 66M-81800-00          | STARTING MOTOR ASSY / DEMARREUR ELECTRIQUE COMPLET         | 1  | 1  |   |                     |
| 2        | 65W-81826-00          | .BOLT / .BOULON  | 2  | 2  |   |                     |
| 3        | 65W-81857-00          | .RETAINER / .ARRETOIR                                      | 1  | 1  |   |                     |
| 4        | 65W-81830-00          | .FRONT BRACKET ASSY / .SUPPORT AVANT                       | 1  | 1  |   |                     |
| 5        | 66M-81807-00          | .GEAR ASSY, STARTING MOTOR / .PIGNON, DEMARREUR ELECTRIQUE | 1  | 1  |   |                     |
| 6        | 65W-81850-00          | .ARMATURE ASSY / .INDUIT                                   | 1  | 1  |   |                     |
| 7        | 66M-81820-00          | .REAR BRACKET ASSY / .SUPPORT ARRIERE COMPLET              | 1  | 1  |   |                     |
| 8        | 65W-81801-00          | .BRUSH SET / .CHARBON                                      | 1  | 1  |   |                     |
| 9        | 65W-81840-00          | .BRUSH HOLDER ASSY / .SUPPORT DE CHARBON                   | 1  | 1  |   |                     |
| 10       | 65W-8182S-00          | .SCREW / .VIS  | 2  | 2  |   |                     |
| 11       | 90119-08M39           | BOLT, WITH WASHER / BOULON, AVEC RONDELLE                  | 1  | 1  |   |                     |
| 12       | 90109-08M78           | BOLT / BOULON  | 1  | 1  |   |                     |
| 13       | 90109-08M85           | BOLT / BOULON  | 1  | 1  |   |                     |

FIG. 26 ELECTRICAL 1

PARTIE ELECTRIQUE 1



| REF. NO. | PART NO. NO. PIECES | DESCRIPTION DESCRIPTION                                    | MH | EH | W | REMARKS REMARQUES |
|----------|---------------------|--|----|----|---|-------------------|
| 1        | 66M-85540-00        | C.D.I. UNIT ASSY<br>BLOC C.D.I.                            | 1  | 1  | 1 |                   |
| 2        | 97595-06520         | BOLT, WITH WASHER<br>VIS HEXAGONAL                         | 2  | 2  | 2 |                   |
| 3        | 97595-06616         | BOLT, WITH WASHER<br>VIS HEXAGONAL                         | 1  | 1  |   |                   |
| 4        | 66M-85570-00        | IGNITION COIL ASSY<br>BOBINE D'ALLUMAGE (ENS.)             | 1  | 1  | 1 |                   |
| 5        | 90480-25161         | GROMMET<br>PASSE-FIL                                       | 2  | 2  | 2 |                   |
| 6        | 97595-06520         | BOLT, WITH WASHER<br>VIS HEXAGONAL                         | 2  | 2  | 2 |                   |
| 7        | 6G8-82370-20        | PLUG CAP ASSY<br>ANTIPARASITE                              | 2  | 2  | 2 |                   |
| 8        | 62Y-82504-10        | OIL PRESSURE SWITCH ASSY<br>CONTACTEUR DE PRESSION D'HUILE | 1  | 1  | 1 |                   |
| 9        | 66M-82127-10        | WIRE, LEAD 2<br>FIL 2                                      | 1  | 1  | 1 |                   |
| 10       | 65W-85410-00        | EMERGENCY SIGNAL LIGHT ASSY<br>FEU DE DETRESSE             | 1  | 1  | 1 |                   |
| 11       | 6H1-83557-00        | TUBE<br>TUBE   | 1  | 1  | 1 |                   |
| 12       | 66M-85542-00        | BRACKET<br>SUPPORT   | 1  | 1  |   |                   |
|          | 66M-85542-10        | BRACKET<br>SUPPORT   |    |    | 1 |                   |
| 13       | 90387-06M05         | COLLAR<br>COLLERETTE                                       | 4  | 4  | 4 |                   |
| 14       | 90480-13M24         | GROMMET<br>PASSE-FIL                                       | 4  | 4  | 4 |                   |
| 15       | 95895-06020         | BOLT, FLANGE<br>BOULON, A COLLERETTE                       | 3  | 3  | 3 |                   |
| 16       | 90201-06M05         | WASHER, PLATE<br>RONDELLE, PLATE                           | 1  | 1  | 1 |                   |
| 17       | 97595-06525         | BOLT, WITH WASHER<br>VIS HEXAGONAL                         | 1  | 1  | 1 |                   |
| 18       | 90464-09M13         | CLAMP<br>BRIDE   | 2  | 2  | 2 |                   |
| 19       | 6J8-81960-00        | RECTIFIER & REGULATOR ASSY<br>REDRESSEUR REGULATEUR CPLT   | 1  |    |   |                   |
|          | 6G8-81960-A1        | RECTIFIER & REGULATOR ASSY<br>REDRESSEUR REGULATEUR CPLT   |    |    | 1 |                   |
|          | 6G1-81970-61        | RECTIFIER ASSY<br>REDRESSEUR COMPLET                       |    | 1  |   |                   |
| 20       | 6G1-82151-00        | FUSE<br>FUSIBLE  |    | 1  |   |                   |
| 21       | 97595-06516         | BOLT, WITH WASHER<br>VIS HEXAGONAL                         | 1  |    |   |                   |
|          | 97980-05225         | SCREW, WITH WASHER<br>VIS, AVEC RONDELLE                   |    | 1  |   |                   |
|          | 97595-06516         | BOLT, WITH WASHER<br>VIS HEXAGONAL                         |    |    | 2 |                   |
| 22       | 6G8-82150-00        | FUSE HOLDER ASSY<br>SUPPORT DE FUSIBLE                     |    |    | 1 |                   |

**F4**



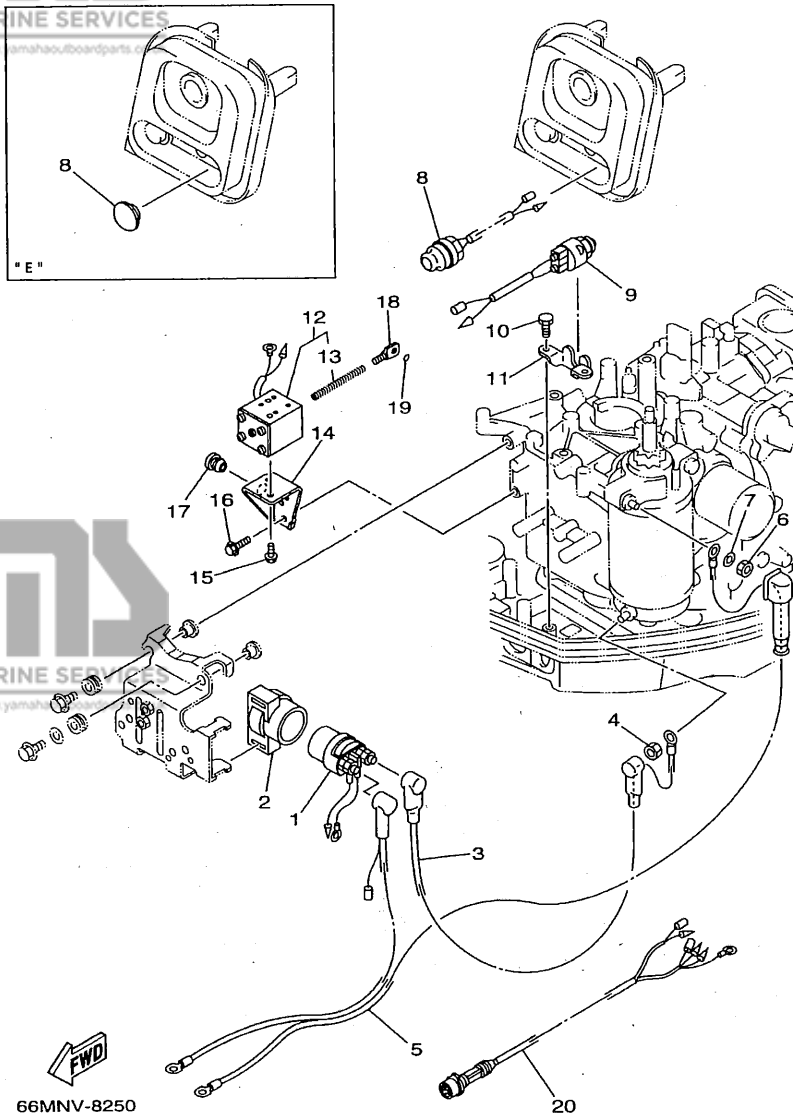


FIG. 27 ELECTRICAL 2

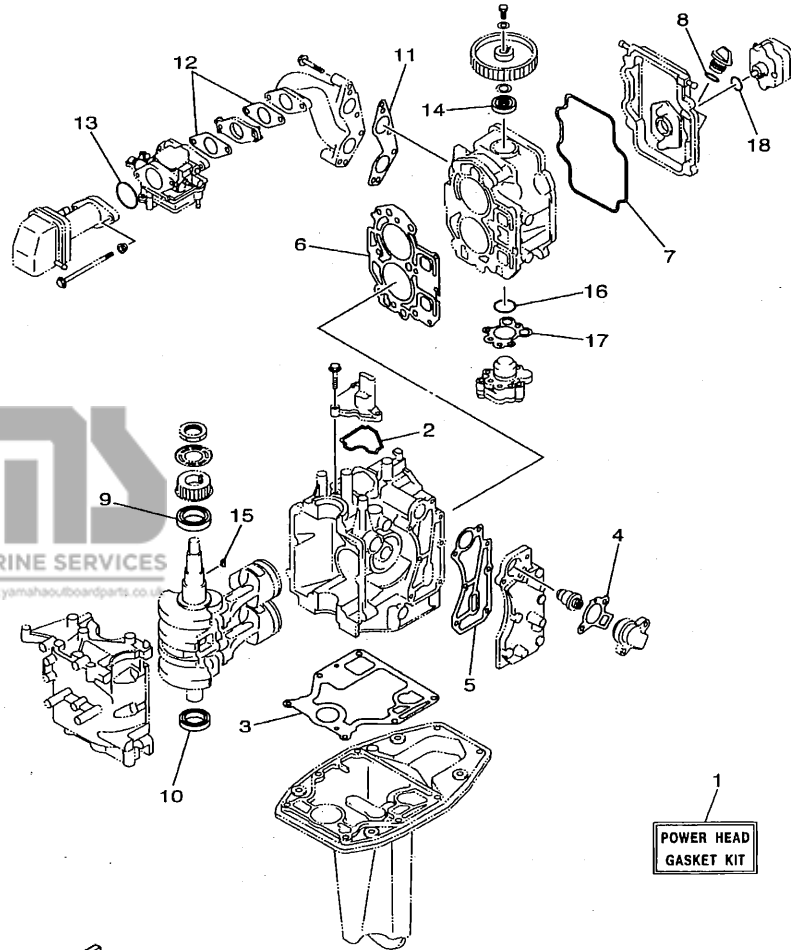
PARTIE ELECTRIQUE 2

| REF. NO. | PART NO. NO. PIECES | DESCRIPTION DESCRIPTION                             | MH | EH | U | REMARKS REMARQUES |
|----------|---------------------|---|----|----|---|-------------------|
| 1        | 6G1-81941-10        | STARTER RELAY ASSY<br>LANCEUR RELAIS (ENS.)         |    | 1  | 1 |                   |
| 2        | 6G1-81952-00        | HOLDER, RELAY<br>SUPPORT, RELAIS                    |    | 1  | 1 |                   |
| 3        | 66M-82117-00        | WIRE, LEAD<br>FIL                                   |    | 1  | 1 |                   |
| 4        | 65W-8182B-00        | NUT, SPECIAL<br>ECROU, SPECIAL                      |    | 1  | 1 |                   |
| 5        | 66M-82105-00        | WIRE HARNESS<br>FAISCEAU DE FILS                    |    | 1  | 1 |                   |
| 6        | 95380-08700         | NUT<br>ECROU  |    | 1  | 1 |                   |
| 7        | 92990-08600         | WASHER, PLATE<br>RONDELLE, PLATE                    |    | 1  | 1 |                   |
| 8        | 65W-81870-00        | STARTING SWITCH ASSY<br>CONTACT A CLEF              |    | 1  |   | UR                |
|          | 6G1-42725-00        | GROMMET<br>PASSE-FIL                                |    |    | 1 | UR                |
| 9        | 6H3-82540-00        | NEUTRAL SWITCH ASSY<br>CONTACTEUR DE POINT-MORT     |    | 1  |   |                   |
| 10       | 90109-06M86         | BOLT<br>BOULON                                      |    | 2  |   |                   |
| 11       | 6J8-82554-00        | STAY, NEUTRAL SWITCH<br>SUPPORT, CONT DE POINT-MORT |    | 1  |   |                   |
| 12       | 66M-86111-00        | COIL, SOLENOID<br>BOBINE                            |    |    | 1 |                   |
| 13       | 66M-86116-00        | WIRE, PULL<br>CABLE, TENSION                        |    |    | 1 |                   |
| 14       | 66M-86112-00        | STAY, SOLENOID<br>SUPPORT, SOLENOIDE                |    |    | 1 |                   |
| 15       | 97980-05208         | SCREW, WITH WASHER<br>VIS, AVEC RONDELLE            |    |    | 2 |                   |
| 16       | 97595-06516         | BOLT, WITH WASHER<br>VIS HEXAGONAL                  |    |    | 2 |                   |
| 17       | 90480-10M13         | GROMMET<br>PASSE-FIL                                |    |    | 1 |                   |
| 18       | 66M-86117-00        | HOOK, WIRE PULL<br>CROCHET, TENSION DE CABLE        |    |    | 1 |                   |
| 19       | 93210-03261         | O-RING<br>JOINT TORIQUE                             |    |    | 1 |                   |
| 20       | 66M-82590-00        | WIRE HARNESS ASSY<br>FAISCEAU DE FILS COMPLET       |    |    | 1 |                   |

FIG. 28 REPAIR KIT 1

KITS DE REPARATION 1

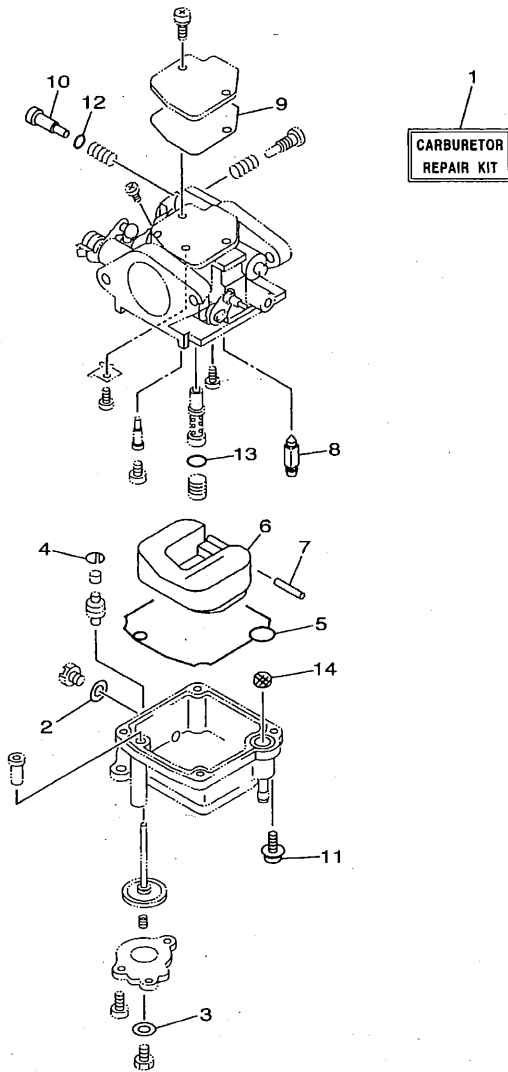
| REF. NO. | PART NO. NO. PIECES | DESCRIPTION DESCRIPTION  | MH | EH | W | REMARKS REMARQUES |
|----------|---------------------|--|----|----|---|-------------------|
| 1        | 66M-W0001-00        | POWER HEAD GASKET KIT<br>POCHETTE DE JINTS TETE MOTRICE        | 1  | 1  | 1 |                   |
| 2        | 66M-11357-00        | .SEAL, CYLINDER 3<br>.JOINT, SPY CYLINDRE                      | 1  | 1  | 1 |                   |
| 3        | 66M-11351-00        | .GASKET, CYLINDER<br>.JOINT, D'EMBASE                          | 1  | 1  | 1 |                   |
| 4        | 62Y-12414-00        | .GASKET, COVER<br>.JOINT, COUVERCLE                            | 1  | 1  | 1 |                   |
| 5        | 66M-41114-00        | .GASKET, EXHAUST OUTER COVER<br>.JOINT, COUVERCLE D'ECHAPPEMEN | 1  | 1  | 1 |                   |
| 6        | 66M-11181-00        | .GASKET, CYLINDER HEAD 1<br>.JOINT, DE CULASSE 1               | 1  | 1  | 1 |                   |
| 7        | 66M-11356-00        | .SEAL, CYLINDER 2<br>.JOINT, SPY CYLINDRE                      | 1  | 1  | 1 |                   |
| 8        | 93210-24M79         | .O-RING<br>.JOINT TORIQUE                                      | 1  | 1  | 1 |                   |
| 9        | 93102-35M51         | .OIL SEAL<br>.JOINT SPY  | 1  | 1  | 1 |                   |
| 10       | 93102-25M52         | .OIL SEAL<br>.JOINT SPY  | 1  | 1  | 1 |                   |
| 11       | 66M-13645-00        | .GASKET, MANIFOLD 1<br>.JOINT, TUBULURE 1                      | 1  | 1  | 1 |                   |
| 12       | 66M-13646-00        | .GASKET, MANIFOLD 2<br>.JOINT, TUBULURE 2                      | 2  | 2  | 2 |                   |
| 13       | 93210-35M86         | .O-RING<br>.JOINT TORIQUE                                      | 1  | 1  | 1 |                   |
| 14       | 93102-18M21         | .OIL SEAL<br>.JOINT SPY  | 1  | 1  | 1 |                   |
| 15       | 90280-03M01 S       | .KEY, WOODRUFF<br>.CLAVETTE, DEMI-LUNE                         | 1  | 1  | 1 |                   |
| 16       | 93210-27ME3         | .O-RING<br>.JOINT TORIQUE                                      | 1  | 1  | 1 |                   |
| 17       | 66M-13329-00        | .GASKET, PUMP COVER<br>.JOINT, COUVERCLE DE POMPE              | 1  | 1  | 1 |                   |
| 18       | 93210-20M65         | .O-RING<br>.JOINT TORIQUE                                      | 1  | 1  | 1 |                   |



1  
POWER HEAD  
GASKET KIT



66MJA-8250



**FWD**  
66MJA-8260

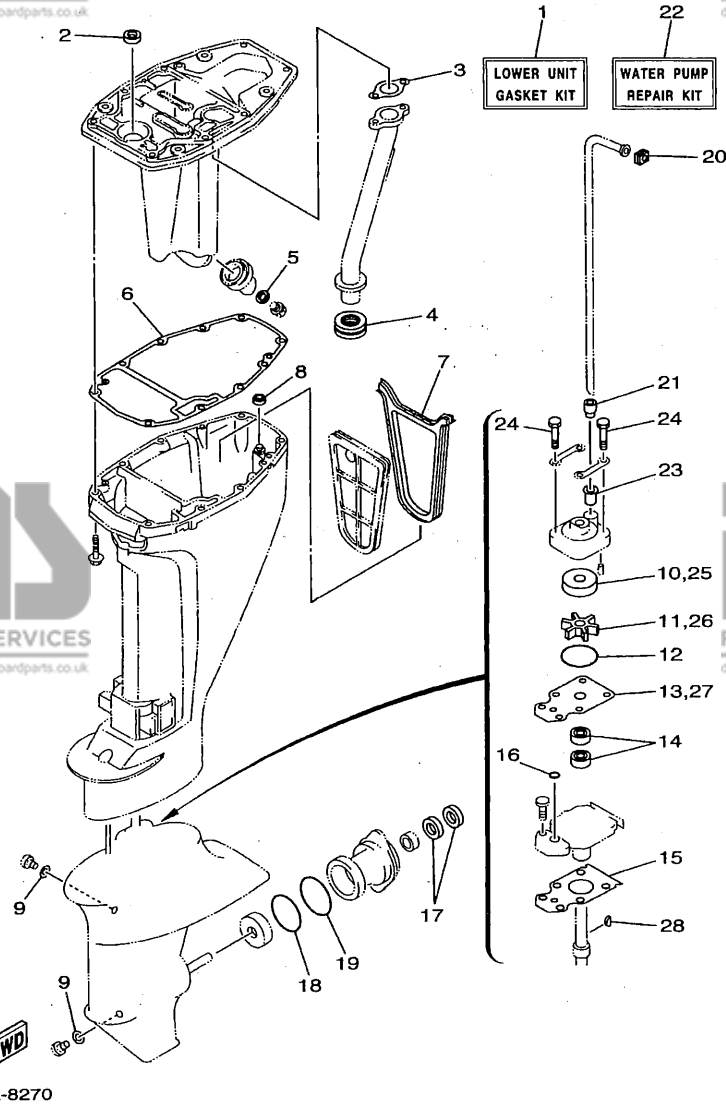
**FIG. 29 REPAIR KIT 2**

**KITS DE REPARATION 2**

| REF. NO. | PART NO. NO. PIECES | DESCRIPTION DESCRIPTION                                | MH | EH | W | REMARKS REMARQUES |
|----------|---------------------|--|----|----|---|-------------------|
| 1        | 66M-W0093-00        | CARBURETOR REPAIR KIT<br>KIT DE REPARATION CARBURATEUR | 1  | 1  | 1 |                   |
| 2        | 66M-14398-00        | .GASKET  | 1  | 1  | 1 |                   |
| 3        | 6L2-14398-00        | .JOINT   | 1  | 1  | 1 |                   |
| 4        | 66M-14377-00        | .GASKET  | 1  | 1  | 1 |                   |
| 5        | 66M-14384-00        | .JOINT   | 1  | 1  | 1 |                   |
| 6        | 66M-14385-00        | .STOPPER   | 1  | 1  | 1 |                   |
| 7        | 66M-14384-00        | .BUTEE   | 1  | 1  | 1 |                   |
| 8        | 66M-14384-00        | .GASKET, FLOAT CHAMBER<br>.JOINT, CUVE DE FLOTTEUR     | 1  | 1  | 1 |                   |
| 9        | 66M-14384-00        | .GASKET, FLOAT CHAMBER<br>.JOINT, CUVE DE FLOTTEUR     | 1  | 1  | 1 |                   |
| 10       | 6L2-14385-00        | .FLOAT   | 1  | 1  | 1 |                   |
| 11       | 6E5-14386-01        | .PIN, FLOAT  | 1  | 1  | 1 |                   |
| 12       | 6L2-14392-00        | .AXE, FLOTTEUR   | 1  | 1  | 1 |                   |
| 13       | 6L2-14392-00        | .VALVE, NEEDLE<br>.POINTEAU                            | 1  | 1  | 1 |                   |
| 14       | 62Y-14399-00        | .GASKET  | 1  | 1  | 1 |                   |
| 15       | 62Y-14399-00        | .JOINT   | 1  | 1  | 1 |                   |
| 16       | 5H0-14323-00        | .SCREW, AIR ADJUSTING<br>.VIS DE DOSEUR D'AIR          | 1  | 1  | 1 |                   |
| 17       | 97980-04112         | .SCREW, WITH WASHER<br>.VIS, AVEC RONDELLE             | 4  | 4  | 4 |                   |
| 18       | 62Y-14397-00        | .O-RING  | 1  | 1  | 1 |                   |
| 19       | 62Y-14397-00        | .JOINT TORIQUE   | 1  | 1  | 1 |                   |
| 20       | 6F5-14397-00        | .O-RING  | 1  | 1  | 1 |                   |
| 21       | 6F5-14397-00        | .JOINT TORIQUE   | 1  | 1  | 1 |                   |
| 22       | 66M-14827-00        | .FILTER  | 1  | 1  | 1 |                   |
| 23       | 66M-14827-00        | .FILTRE  | 1  | 1  | 1 |                   |

FIG. 30 REPAIR KIT 3

KITS DE PERARATION 3



| REF. NO. | PART NO. NO. PIECES | DESCRIPTION DESCRIPTION                                   | MH | EH | LW | REMARKS REMARQUES |
|----------|---------------------|---|----|----|----|-------------------|
| 1        | 66M-W0001-20        | LOWER UNIT GASKET KIT<br>POCHETTE DE JOINTS EMBASE        | 1  | 1  | 1  |                   |
| 2        | 93101-13M27         | .OIL SEAL<br>.JOINT SPY                                   | 1  | 1  | 1  |                   |
| 3        | 66M-41133-00        | .GASKET, EXHAUST MANIFOLD 1<br>.JOINT, PIPE D'ECHAPPEMENT | 1  | 1  | 1  |                   |
| 4        | 66M-41138-00        | .SEAL, EXT. 1<br>.JOINT DE GROUPE 1                       | 1  | 1  | 1  |                   |
| 5        | 90430-14M09         | .GASKET<br>.JOINT   | 1  | 1  | 1  |                   |
| 6        | 66M-45113-00        | .GASKET, UPPER CASING<br>.JOINT, TUBE D'ARBRE             | 1  | 1  | 1  |                   |
| 7        | 66M-45115-00        | .GASKET, UPPER CASING<br>.JOINT, TUBE D'ARBRE             | 1  | 1  | 1  |                   |
| 8        | 66M-45128-00        | .SEAL 2<br>.JOINT 2                                       | 1  | 1  | 1  |                   |
| 9        | 90430-08020         | .GASKET<br>.JOINT   | 2  | 2  | 2  |                   |
| 10       | 63V-44322-00        | .INSERT, CARTRIDGE<br>.CUVETTE                            | 1  | 1  | 1  |                   |
| 11       | 63V-44352-00        | .IMPELLER<br>.TURBINE                                     | 1  | 1  | 1  |                   |
| 12       | 93210-44398         | .O-RING<br>.JOINT TORIQUE                                 | 1  | 1  | 1  |                   |
| 13       | 63V-44323-00        | .OUTER PLATE, CARTRIDGE<br>.PLAQUE EXTERIEURE             | 1  | 1  | 1  |                   |
| 14       | 93101-20048         | .OIL SEAL<br>.JOINT SPY                                   | 2  | 2  | 2  |                   |
| 15       | 63V-45315-A0        | .PACKING, LOWER CASING<br>.JOINT, BOITIER D'HELICE        | 1  | 1  | 1  |                   |
| 16       | 93210-06ME6         | .O-RING<br>.JOINT TORIQUE                                 | 1  | 1  | 1  |                   |
| 17       | 93101-17054         | .OIL SEAL<br>.JOINT SPY                                   | 2  | 2  | 2  |                   |
| 18       | 93210-57M09         | .O-RING<br>.JOINT TORIQUE                                 | 1  | 1  | 1  |                   |
| 19       | 93210-56M80         | .O-RING<br>.JOINT TORIQUE                                 | 1  | 1  | 1  |                   |
| 20       | 63V-44365-10        | .DAMPER, WATER SEAL<br>.JOINT, TUBE D'EAU                 | 1  | 1  | 1  |                   |
| 21       | 63V-44368-00        | .RUBBER, WATER SEAL 4<br>.CAOUTCHOUC EAU JUNTA 4          | 1  | 1  | 1  |                   |
| 22       | 63V-W0078-00        | WATER PUMP REPAIR KIT<br>KIT DE REPARATION DE LA POMPE    | 1  | 1  | 1  |                   |
| 23       | 647-44366-00        | .DAMPER, WATER SEAL<br>.JOINT, TUBE D'EAU                 | 1  | 1  | 1  |                   |
| 24       | 97080-08045         | .BOLT<br>.BOULON  | 4  | 4  | 4  |                   |
| 25       | 63V-44322-00        | .INSERT, CARTRIDGE<br>.CUVETTE                            | 1  | 1  | 1  |                   |
| 26       | 63V-44352-00        | .IMPELLER<br>.TURBINE                                     | 1  | 1  | 1  |                   |
| 27       | 63V-44323-00        | .OUTER PLATE, CARTRIDGE<br>.PLAQUE EXTERIEURE             | 1  | 1  | 1  |                   |

A5

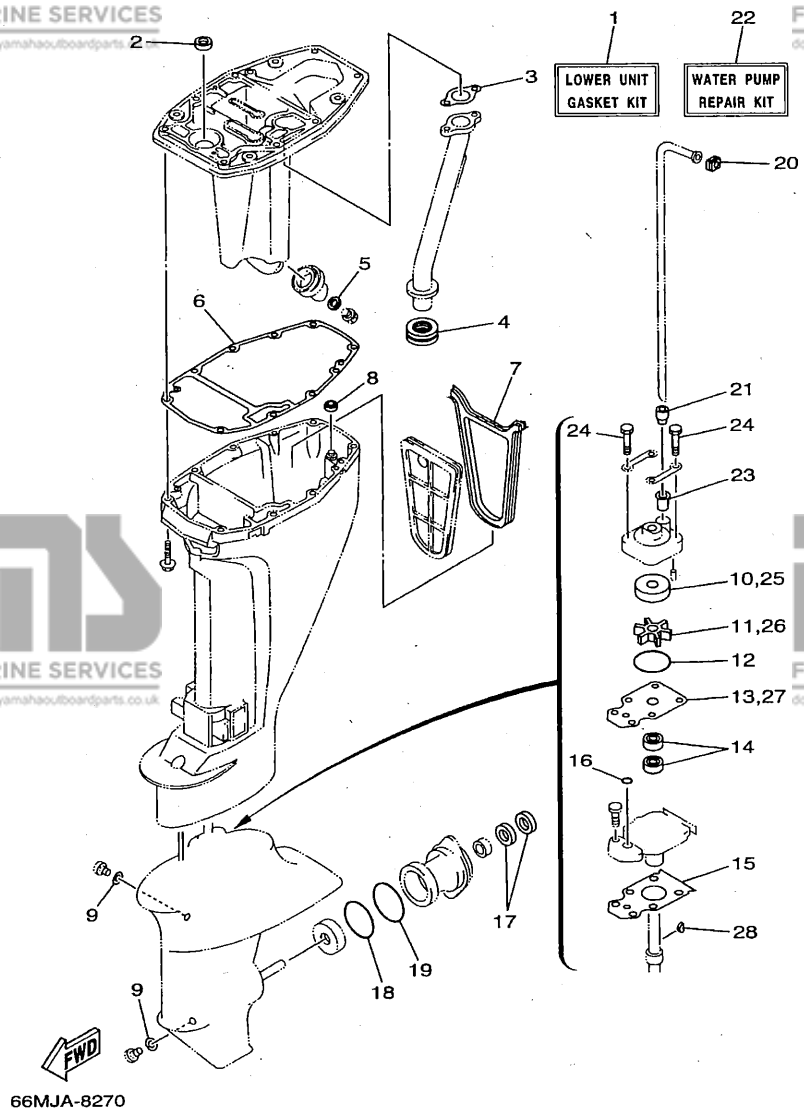


FIG. 30 REPAIR KIT 3

KITS DE PEPARATION 3

| REF. NO. | PART NO. NO. PIECES | DESCRIPTION DESCRIPTION | MH | EH | U | REMARKS REMARQUES |
|----------|---------------------|-------------------------|----|----|---|-------------------|
|----------|---------------------|-------------------------|----|----|---|-------------------|

|    |              |                                     |   |   |   |  |
|----|--------------|-------------------------------------|---|---|---|--|
| 28 | 664-44338-00 | .KEY, WOODRUFF<br>.CLAVETTE, VOLANT | 1 | 1 | 1 |  |
|----|--------------|-------------------------------------|---|---|---|--|



| PART NO.<br>NO. PIECES | REF.<br>NO. |
|------------------------|-------------|
| 66M-W0001-00           | 28 - 1      |
| 66M-W0001-20           | 30 - 1      |
| 66M-W0070-10           | 12 - 10     |
| 63V-W0078-00           | 30 - 22     |
| 66M-W0084-00-4D16      | 1 - 1       |
| 66M-W009A-00-4D        | 2 - 1       |
| 66M-W009B-00-4D        | 1 - 1       |
| 66M-W0093-00           | 29 - 1      |
| 66M-11111-00-94        | 2 - 2       |
| 66M-11133-10           | 2 - 3       |
| 66M-11168-00-94        | 1 - 14      |
| 66M-11181-00           | 2 - 5       |
|                        | 28 - 6      |
| 66M-11191-00-94        | 2 - 9       |
| 66M-11325-00           | 1 - 8       |
| 66M-11327-00-94        | 1 - 9       |
| 66M-11328-00           | 1 - 10      |
| 66M-11351-00           | 1 - 18      |
|                        | 28 - 3      |
| 66M-11355-00           | 8 - 4       |
| 66M-11356-00           | 2 - 10      |
|                        | 28 - 7      |
| 66M-11357-00           | 1 - 16      |
|                        | 28 - 2      |
| 676-11372-00           | 1 - 25      |
| 66M-11411-00           | 3 - 3       |
| 66M-11416-00           | 3 - 4       |
| 66M-11416-10           | 3 - 4       |
| 66M-11416-20           | 3 - 4       |
| 66M-11536-00           | 7 - 7       |
| 66M-11537-00-94        | 7 - 3       |
| 66M-11557-00           | 7 - 8       |
| 6G8-11575-00           | 8 - 14      |
| 66M-11603-00           | 3 - 9       |
| 66M-11604-00           | 3 - 9       |
| 66M-11605-00           | 3 - 9       |
| 66M-11631-00-96        | 3 - 8       |
| 634-11633-00           | 3 - 10      |
| 66M-11635-00           | 3 - 8       |
| 66M-11636-00           | 3 - 8       |
| 66M-11650-00           | 3 - 5       |
| 66M-11654-00           | 3 - 6       |
| 66M-12111-00           | 4 - 1       |
| 66M-12113-00           | 4 - 4       |
| 66M-12116-00           | 4 - 3       |
| 30X-12117-00           | 4 - 5       |
| 30X-12118-00           | 4 - 6       |
| 51Y-12119-00           | 4 - 7       |

| PART NO.<br>NO. PIECES | REF.<br>NO. |
|------------------------|-------------|
| 66M-12121-00           | 4 - 2       |
| 66M-12146-00           | 4 - 8       |
| 66M-12151-00           | 4 - 12      |
| 62Y-12158-00           | 4 - 14      |
| 62Y-12159-00           | 4 - 13      |
| 66M-12171-00           | 7 - 2       |
| 66M-12411-00           | 1 - 19      |
| 6H3-12413-00           | 1 - 20      |
| 62Y-12414-00           | 1 - 21      |
|                        | 28 - 4      |
| 66M-12535-00           | 1 - 13      |
| 66M-13131-00           | 10 - 14     |
| 66M-13300-00           | 7 - 15      |
| 66M-13329-00           | 7 - 17      |
|                        | 28 - 17     |
| 66M-13416-00           | 8 - 12      |
| 66M-13417-00           | 8 - 11      |
| 66M-13421-00           | 8 - 10      |
| 3FV-13440-00           | 1 - 22      |
| 66M-13641-00-94        | 5 - 1       |
| 66M-13645-00           | 5 - 2       |
|                        | 28 - 11     |
| 66M-13646-00           | 5 - 5       |
|                        | 28 - 12     |
| 6L2-14157-00           | 6 - 19      |
| 66M-14157-00           | 6 - 36      |
| 646-14212-01           | 6 - 31      |
| 66M-14225-00           | 6 - 13      |
| 66M-14239-00           | 6 - 12      |
| 66M-14271-00           | 5 - 6       |
| 66M-14272-00           | 6 - 33      |
| 6G8-14275-02           | 6 - 11      |
| 66M-14301-00           | 6 - 1       |
| 62Y-14321-00           | 6 - 27      |
| 5H0-14323-00           | 6 - 25      |
|                        | 29 - 10     |
| 6A0-14325-00           | 10 - 18     |
| 66M-14325-00           | 6 - 7       |
| 30X-14334-00           | 6 - 26      |
| 66M-14341-00           | 6 - 21      |
| 66M-14342-23           | 6 - 23      |
| 66M-14343-52           | 6 - 22      |
| 66M-14355-00           | 6 - 24      |
| 66M-14368-00           | 6 - 10      |
| 66M-14377-00           | 6 - 8       |
|                        | 29 - 4      |
| 66M-14381-00           | 6 - 2       |
| 62Y-14383-00           | 6 - 3       |

| PART NO.<br>NO. PIECES | REF.<br>NO. |
|------------------------|-------------|
| 677-14383-01           | 6 - 5       |
| 66M-14384-00           | 6 - 14      |
|                        | 29 - 5      |
| 6L2-14385-00           | 6 - 15      |
|                        | 29 - 6      |
| 6E5-14386-01           | 6 - 16      |
|                        | 29 - 7      |
| 6L2-14392-00           | 6 - 17      |
|                        | 29 - 8      |
| 6F5-14397-00           | 6 - 32      |
|                        | 29 - 13     |
| 62Y-14397-00           | 6 - 29      |
|                        | 29 - 12     |
| 6L2-14398-00           | 6 - 6       |
|                        | 29 - 3      |
| 66M-14398-00           | 6 - 4       |
|                        | 29 - 2      |
| 62Y-14399-00           | 6 - 20      |
|                        | 29 - 9      |
| 66M-14440-00           | 5 - 7       |
| 66M-14477-00           | 5 - 11      |
| 65W-14497-00           | 18 - 28     |
| 66M-14827-00           | 6 - 34      |
|                        | 29 - 14     |
| 66M-14958-00           | 6 - 9       |
| 66M-15100-00-94        | 1 - 2       |
| 66M-15316-00           | 8 - 17      |
| 66M-15362-00           | 8 - 18      |
| 6G8-15363-00           | 2 - 12      |
| 66M-15373-00           | 5 - 24      |
| 63V-15705-01           | 9 - 8       |
| 66M-15710-00           | 9 - 1       |
| 66M-15711-00           | 9 - 2       |
| 66M-15711-10           | 9 - 34      |
| 63V-15713-00           | 9 - 6       |
| 63V-15714-00           | 9 - 4       |
| 63V-15716-00           | 9 - 7       |
| 66T-15731-00           | 9 - 19      |
| 66T-15734-00           | 9 - 16      |
| 63V-15741-00           | 9 - 5       |
| 63V-15744-00           | 9 - 11      |
| 6G1-15755-00           | 9 - 20      |
| 66M-15758-00           | 9 - 24      |
| 66M-15758-10           | 9 - 24      |
| 66M-15762-00           | 9 - 30      |
| 63V-15764-00           | 9 - 13      |
| 63V-15767-01           | 9 - 9       |
| 63V-15768-00           | 9 - 12      |

| PART NO.<br>NO. PIECES | REF.<br>NO. |
|------------------------|-------------|
| 66M-15770-00           | 9 - 17      |
| 66M-15774-00           | 9 - 31      |
| 6G1-15779-00           | 9 - 21      |
| 63V-15784-01           | 9 - 10      |
| 66T-15794-00           | 9 - 15      |
| 6YL-24201-00           | 11 - 1      |
| 65W-24251-00           | 10 - 5      |
| 6YL-24260-00           | 11 - 4      |
| 6YL-24268-00           | 11 - 7      |
| 6G1-24304-02           | 10 - 1      |
| 6G1-24305-01           | 11 - 13     |
| 6Y1-24305-02           | 11 - 15     |
| 6Y1-24306-51           | 11 - 8      |
| 6Y1-24329-00           | 11 - 6      |
| 650-24351-51           | 11 - 12     |
| 66M-24351-00           | 8 - 13      |
| 6Y1-24360-51           | 11 - 10     |
| 66M-24374-00           | 10 - 20     |
| 6E5-24377-00           | 1 - 6       |
|                        | 1 - 15      |
| 688-24378-00           | 1 - 29      |
| 66M-24410-00           | 10 - 9      |
| 66M-24411-00           | 10 - 12     |
| 66M-24413-00           | 10 - 10     |
| 6A0-24421-01           | 10 - 11     |
| 66M-24423-00           | 10 - 13     |
| 66M-24444-00           | 10 - 16     |
| 66M-24454-00           | 10 - 15     |
| 66M-24471-00           | 10 - 17     |
| 6YL-24610-00           | 11 - 2      |
| 6YL-24641-00           | 11 - 3      |
| 66M-26311-00           | 16 - 17     |
| 65W-26326-10           | 13 - 20     |
| 66M-26326-00           | 13 - 20     |
| 62Y-28100-00           | 10 - 29     |
| 66M-41113-00-9M        | 1 - 24      |
| 66M-41114-00           | 1 - 26      |
|                        | 28 - 5      |
| 66M-41131-00           | 8 - 6       |
| 66M-41133-00           | 8 - 7       |
|                        | 30 - 3      |
| 66M-41137-00-5B        | 8 - 1       |
| 66M-41138-00           | 8 - 9       |
|                        | 30 - 4      |
| 66M-41211-00           | 18 - 27     |
| 6R5-41237-00           | 5 - 22      |
| 66M-41252-00           | 5 - 17      |
| 66M-41256-00           | 5 - 23      |

| PART NO.<br>NO. PIECES | REF.<br>NO. |
|------------------------|-------------|
| 661-41262-02           | 18 - 25     |
| 66M-41271-00           | 5 - 12      |
| 689-41273-00           | 5 - 13      |
| 65W-41283-00           | 18 - 24     |
| 66M-41292-00           | 5 - 14      |
| 66M-41298-00           | 5 - 15      |
| 65W-41638-00           | 18 - 23     |
| 6F5-41662-00           | 18 - 4      |
| 65W-42101-00-4D        | 16 - 2      |
| 65W-42101-01-4D        | 16 - 2      |
| 66M-42119-00           | 16 - 10     |
| 65W-42125-00           | 16 - 7      |
| 6G1-42126-00           | 16 - 6      |
| 66M-42131-00           | 16 - 24     |
| 66M-42131-01           | 16 - 24     |
| 689-42137-20           | 16 - 11     |
| 65W-42138-00           | 16 - 4      |
| 65W-42159-00           | 16 - 5      |
| 66M-42177-00           | 16 - 9      |
| 66M-42508-00           | 17 - 1      |
| 66M-42511-00-4D        | 15 - 6      |
| 66M-42511-10-4D        | 15 - 6      |
| 66M-42527-00           | 17 - 3      |
| 63V-42528-00           | 15 - 2      |
| 65W-42528-00           | 17 - 9      |
| 63V-42537-00           | 15 - 7      |
| 66M-42561-00           | 17 - 6      |
| 65W-42562-00           | 17 - 5      |
| 66M-42610-00-4D        | 12 - 1      |
| 66M-42613-00           | 12 - 2      |
| 66M-42615-00           | 12 - 8      |
| 6E0-42651-02           | 12 - 4      |
| 6E7-42652-00           | 12 - 6      |
| 66M-42678-10           | 12 - 9      |
| 66M-42681-10           | 12 - 11     |
| 66M-42682-10           | 12 - 12     |
| 66M-42710-00-4D        | 13 - 1      |
| 66M-42716-00           | 13 - 6      |
| 682-42724-00           | 13 - 22     |
| 6G1-42725-00           | 27 - 8      |
| 66M-42725-00           | 13 - 9      |
| 66M-42725-10           | 13 - 9      |
| 66M-42725-20           | 13 - 9      |
| 65W-42726-00           | 13 - 23     |
| 65W-42726-10           | 13 - 23     |
| 62Y-42727-00           | 13 - 10     |
| 65W-42727-00           | 13 - 10     |
| 682-42727-00           | 13 - 21     |

| PART NO.<br>NO. PIECES | REF.<br>NO. |
|------------------------|-------------|
| 66M-42738-00-4D        | 13 - 7      |
| 66M-42743-00           | 13 - 24     |
| 66M-42766-00           | 13 - 17     |
| 66M-42815-00-4D        | 13 - 11     |
| 6L2-42816-00           | 13 - 15     |
| 63V-43111-03-4D        | 14 - 1      |
| 63V-43112-04-4D        | 14 - 2      |
| 66M-43113-00           | 14 - 14     |
| 648-43114-01           | 14 - 9      |
| 6E7-43116-00           | 14 - 8      |
| 6E0-43118-01           | 14 - 6      |
| 63V-43131-10           | 14 - 10     |
| 6E5-43145-01           | 19 - 8      |
| 63V-43145-00           | 14 - 15     |
| 6L2-43160-00           | 14 - 20     |
| 63V-43181-00           | 14 - 39     |
| 63V-43191-00           | 14 - 24     |
| 63V-43311-02-4D        | 14 - 21     |
| 66M-43311-10-4D        | 14 - 21     |
| 682-43318-01           | 14 - 23     |
| 66M-43350-00           | 14 - 26     |
| 689-43373-01           | 15 - 3      |
| 63V-43611-00           | 14 - 33     |
| 66M-43614-00           | 14 - 31     |
| 63V-43615-00           | 14 - 32     |
| 63V-43617-00           | 14 - 37     |
| 63V-43630-00           | 14 - 22     |
| 689-43633-00           | 17 - 7      |
| 63V-43641-00           | 14 - 28     |
| 63V-43659-00           | 14 - 35     |
| 66M-44111-00           | 16 - 27     |
| 65W-44116-00           | 18 - 6      |
| 66M-44117-00           | 18 - 7      |
| 65W-44121-00           | 18 - 1      |
| 66M-44122-00           | 18 - 2      |
| 66M-44124-00           | 16 - 31     |
| 65W-44125-00           | 18 - 15     |
| 65W-44142-00           | 18 - 13     |
| 66M-44143-00           | 18 - 9      |
| 66M-44143-10           | 18 - 9      |
| 63V-44150-00           | 22 - 27     |
| 66M-44150-10           | 22 - 27     |
| 65W-44173-00           | 16 - 35     |
| 6E0-44191-11           | 16 - 34     |
| 66M-44192-00           | 18 - 19     |
| 63V-44301-00           | 22 - 11     |
| 63V-44322-00           | 22 - 12     |
|                        | 30 - 10     |

| PART NO.<br>NO. PIECES | REF.<br>NO. |
|------------------------|-------------|
| 63V-44322-00           | 30 - 25     |
| 63V-44323-00           | 22 - 17     |
|                        | 30 - 13     |
|                        | 30 - 27     |
| 63V-44328-00           | 22 - 20     |
| 664-44338-00           | 22 - 15     |
|                        | 30 - 28     |
| 63V-44352-00           | 30 - 11     |
|                        | 30 - 26     |
| 63V-44352-01           | 22 - 14     |
| 66M-44361-00           | 23 - 1      |
| 66M-44361-10           | 23 - 1      |
| 63V-44365-10           | 23 - 2      |
|                        | 30 - 20     |
| 647-44366-00           | 22 - 13     |
|                        | 30 - 23     |
| 66M-44366-00           | 15 - 16     |
| 63V-44368-00           | 23 - 3      |
|                        | 30 - 21     |
| 6H3-44391-01           | 13 - 19     |
| 66M-44514-00-4D        | 15 - 13     |
| 66M-44526-00           | 15 - 14     |
| 66M-44551-00-4D        | 15 - 18     |
| 682-44555-30           | 15 - 20     |
| 66M-44557-00           | 15 - 19     |
| 66M-45111-00-4D        | 21 - 1      |
| 66M-45111-10-4D        | 21 - 1      |
| 66M-45113-00           | 21 - 2      |
|                        | 30 - 6      |
| 66M-45115-00           | 21 - 6      |
|                        | 30 - 7      |
| 66M-45126-00           | 21 - 5      |
| 66M-45128-00           | 21 - 8      |
|                        | 30 - 8      |
| 66M-45136-00           | 21 - 7      |
| 6G1-45214-00           | 23 - 6      |
| 63V-45215-00           | 23 - 7      |
| 61N-45251-00           | 23 - 10     |
| 66M-45300-00-4D        | 22 - 1      |
| 66M-45300-10-4D        | 22 - 1      |
| 63V-45311-01-4D        | 22 - 2      |
| 66M-45311-00-4D        | 22 - 2      |
| 63V-45315-A0           | 22 - 24     |
|                        | 30 - 15     |
| 63V-45331-00-5B        | 22 - 21     |
| 683-45361-02-4D        | 22 - 41     |
| 66M-45371-00           | 23 - 19     |
| 63V-45375-00           | 23 - 13     |

| PART NO.<br>NO. PIECES | REF.<br>NO. |
|------------------------|-------------|
| 63V-45510-01           | 22 - 28     |
| 63V-45510-11           | 22 - 28     |
| 63V-45536-00           | 22 - 4      |
| 63V-45551-00           | 22 - 29     |
| 6E7-45560-00           | 22 - 31     |
| 664-45567-01-10        | 22 - 8      |
| 664-45567-01-12        | 22 - 8      |
| 664-45567-01-15        | 22 - 8      |
| 664-45567-01-18        | 22 - 8      |
| 664-45567-01-30        | 22 - 8      |
| 664-45567-01-40        | 22 - 8      |
| 664-45567-01-50        | 22 - 8      |
| 6E7-45571-00           | 22 - 32     |
| 626-45577-00-01        | 22 - 33     |
| 626-45577-00-03        | 22 - 33     |
| 626-45577-00-05        | 22 - 33     |
| 6E8-45587-00-13        | 22 - 6      |
| 6E8-45587-00-20        | 22 - 6      |
| 683-45611-00           | 22 - 35     |
| 682-45631-00           | 22 - 37     |
| 648-45633-00           | 22 - 39     |
| 650-45635-00           | 22 - 36     |
| 683-45941-00-EL        | 23 - 18     |
| 683-45943-00-EL        | 23 - 18     |
| 683-45945-00-EL        | 23 - 18     |
| 63V-45947-00-EL        | 23 - 18     |
| 683-45952-00-EL        | 23 - 18     |
| 6E7-45987-01           | 23 - 14     |
| 66M-46241-00           | 7 - 11      |
| 66M-46297-00           | 7 - 12      |
| 703-48203-14           | 20 - 1      |
| 701-48310-80           | 20 - 2      |
| 701-48310-90           | 20 - 2      |
| 701-48320-00           | 20 - 2      |
| 663-48344-00           | 18 - 32     |
| 63V-48511-01-4D        | 15 - 24     |
| 6H3-48538-00           | 18 - 34     |
| 63V-61350-00           | 19 - 1      |
| 6E5-61355-00           | 19 - 6      |
| 66M-81800-00           | 25 - 1      |
| 65W-81801-00           | 25 - 8      |
| 66M-81807-00           | 25 - 5      |
| 65W-8182B-00           | 27 - 4      |
| 65W-8182S-00           | 25 - 10     |
| 66M-81820-00           | 25 - 7      |
| 65W-81826-00           | 25 - 2      |
| 65W-81830-00           | 25 - 4      |
| 65W-81840-00           | 25 - 9      |

NUMERICAL INDEX  
INDEX NUMERIQUE

| PART NO.<br>NO. PIECES | REF.<br>NO. |
|------------------------|-------------|
| 65W-81850-00           | 25 - 6      |
| 65W-81857-00           | 25 - 3      |
| 65W-81870-00           | 27 - 8      |
| 6G1-81941-10           | 27 - 1      |
| 6G1-81952-00           | 27 - 2      |
| 6G8-81960-A1           | 26 - 19     |
| 6J8-81960-00           | 26 - 19     |
| 6G1-81970-61           | 26 - 19     |
| 66M-82105-00           | 27 - 5      |
| 66M-82117-00           | 27 - 3      |
| 66M-82127-00           | 15 - 5      |
| 66M-82127-10           | 26 - 9      |
| 66M-82148-00           | 14 - 3      |
| 6G8-82150-00           | 26 - 22     |
| 6G1-82151-00           | 26 - 20     |
| 663-82151-00           | 26 - 23     |
| 6G5-82152-00           | 26 - 24     |
| 6G8-82370-20           | 26 - 7      |
| 62Y-82504-10           | 26 - 8      |
| 6H3-82540-00           | 27 - 9      |
| 6J8-82554-00           | 27 - 11     |
| 682-82556-00           | 16 - 38     |
| 689-8257Y-00           | 16 - 39     |
| 65W-82575-00           | 16 - 37     |
| 66M-82590-00           | 27 - 20     |
| 6H1-83557-00           | 26 - 11     |
| 66M-84342-00           | 9 - 33      |
| 65W-85410-00           | 26 - 10     |
| 66M-85520-00           | 24 - 2      |
| 66M-85533-00           | 24 - 4      |
| 66M-85533-10           | 24 - 4      |
| 66M-85540-00           | 26 - 1      |
| 66M-85542-00           | 26 - 12     |
| 66M-85542-10           | 26 - 12     |
| 66M-85550-00           | 24 - 1      |
| 66M-85550-10           | 24 - 1      |
| 66M-85570-00           | 26 - 4      |
| 66M-85580-00           | 24 - 3      |
| 66M-86111-00           | 27 - 12     |
| 66M-86112-00           | 27 - 14     |
| 66M-86116-00           | 27 - 13     |
| 66M-86117-00           | 27 - 18     |
| 90101-06M29            | 14 - 17     |
| 90105-06M07            | 15 - 4      |
| 90105-06M78            | 2 - 7       |
| 90109-05M89            | 17 - 13     |
| 90109-06M81            | 18 - 5      |
| 90109-06M82            | 13 - 8      |

| PART NO.<br>NO. PIECES | REF.<br>NO. |
|------------------------|-------------|
| 90109-06M84            | 14 - 40     |
| 90109-06M86            | 9 - 32      |
|                        | 13 - 18     |
|                        | 13 - 25     |
|                        | 16 - 3      |
|                        | 18 - 8      |
|                        | 27 - 10     |
| 90109-08M78            | 25 - 12     |
| 90109-08M85            | 25 - 13     |
| 90109-08M91            | 17 - 4      |
| 90116-08M54            | 15 - 11     |
| 90119-06M14            | 1 - 5       |
| 90119-06M59            | 9 - 25      |
| 90119-06M76            | 5 - 9       |
| 90119-08M20            | 1 - 4       |
| 90119-08M39            | 25 - 11     |
| 90119-08M45            | 15 - 21     |
| 90119-08M46            | 15 - 22     |
| 90149-05M13            | 16 - 13     |
| 90157-06M06            | 21 - 9      |
| 90170-06015            | 18 - 10     |
| 90170-09M03            | 19 - 4      |
| 90170-28M37            | 7 - 9       |
| 90171-10M01            | 23 - 16     |
| 90179-08M06            | 22 - 30     |
| 90179-08M34            | 15 - 23     |
| 90179-16M05            | 24 - 9      |
| 90185-05002            | 23 - 9      |
| 90185-08057            | 15 - 26     |
|                        | 16 - 25     |
| 90185-09M01            | 19 - 3      |
| 90185-10M14            | 17 - 11     |
| 90201-05M06            | 18 - 20     |
| 90201-06M05            | 9 - 28      |
|                        | 26 - 16     |
| 90201-06M31            | 18 - 17     |
|                        | 18 - 29     |
| 90201-06M94            | 7 - 6       |
| 90201-07M01            | 3 - 7       |
| 90201-08M06            | 15 - 12     |
| 90201-10M01            | 23 - 15     |
| 90201-10M20            | 19 - 2      |
| 90201-10M63            | 19 - 7      |
| 90201-13201            | 7 - 5       |
| 90201-16M44            | 24 - 10     |
| 90201-17682            | 22 - 34     |
| 90201-43M00            | 16 - 20     |
| 90202-05M38            | 12 - 13     |

| PART NO.<br>NO. PIECES | REF.<br>NO. |
|------------------------|-------------|
| 90202-05088            | 5 - 21      |
| 90202-10M56            | 17 - 8      |
| 90202-22M54            | 14 - 11     |
| 90202-43M57            | 16 - 22     |
| 90206-05005            | 5 - 19      |
| 90206-10M04            | 16 - 29     |
| 90206-10M24            | 14 - 41     |
| 90206-12052            | 13 - 14     |
| 90206-43M22            | 16 - 21     |
| 90209-10M26            | 17 - 10     |
| 90240-05M20            | 5 - 18      |
| 90243-04M01            | 14 - 7      |
| 90250-05010            | 22 - 38     |
| 90266-04M04            | 12 - 5      |
|                        | 12 - 7      |
| 90269-02M09            | 16 - 12     |
| 90280-03M01            | 7 - 10      |
|                        | 28 - 15     |
| 90280-05013            | 24 - 8      |
| 90340-08M04            | 22 - 9      |
| 90340-14M06            | 8 - 15      |
| 90381-14020            | 22 - 22     |
| 90386-07M95            | 14 - 25     |
| 90386-08032            | 16 - 16     |
| 90386-12MA2            | 13 - 13     |
| 90386-12M37            | 13 - 12     |
| 90386-22M94            | 14 - 12     |
|                        | 14 - 13     |
| 90386-30M60            | 15 - 10     |
| 90386-30048            | 15 - 8      |
| 90386-40MA0            | 16 - 19     |
| 90386-40M99            | 16 - 23     |
| 90387-05M11            | 17 - 12     |
| 90387-06M05            | 9 - 3       |
|                        | 26 - 13     |
| 90387-06M08            | 18 - 26     |
| 90387-06M13            | 14 - 16     |
| 90387-06M29            | 18 - 16     |
| 90387-06M52            | 13 - 5      |
| 90387-06M78            | 16 - 30     |
| 90387-06M79            | 5 - 10      |
| 90387-10M42            | 19 - 5      |
| 90387-13M56            | 4 - 9       |
| 90401-20M00            | 1 - 23      |
| 90430-08020            | 22 - 10     |
|                        | 30 - 9      |
| 90430-14M09            | 8 - 16      |
|                        | 30 - 5      |

| PART NO.<br>NO. PIECES | REF.<br>NO. |
|------------------------|-------------|
| 90445-09061            | 1 - 28      |
| 90445-09086            | 1 - 30      |
| 90445-09105            | 1 - 31      |
| 90445-10M20            | 10 - 6      |
| 90445-10M40            | 10 - 4      |
|                        | 10 - 25     |
| 90445-10M46            | 1 - 7       |
| 90445-11M05            | 11 - 11     |
| 90445-11M06            | 11 - 9      |
| 90446-06M90            | 9 - 18      |
| 90446-10M87            | 16 - 18     |
| 90464-09M13            | 26 - 18     |
| 90464-09M31            | 10 - 28     |
| 90465-08M07            | 10 - 27     |
| 90465-08M71            | 5 - 25      |
| 90465-08M72            | 5 - 26      |
| 90465-11M10            | 10 - 8      |
| 90465-25M57            | 13 - 26     |
| 90467-09M03            | 10 - 7      |
|                        | 10 - 26     |
| 90468-10005            | 18 - 21     |
| 90468-18008            | 16 - 33     |
|                        | 18 - 12     |
|                        | 18 - 22     |
|                        | 18 - 33     |
|                        | 27 - 17     |
| 90480-10M13            | 7 - 13      |
| 90480-10M16            | 7 - 14      |
| 90480-12072            | 7 - 14      |
| 90480-13M24            | 26 - 14     |
| 90480-15M31            | 13 - 4      |
| 90480-25161            | 26 - 5      |
| 90501-12M40            | 4 - 10      |
| 90501-12M41            | 4 - 11      |
| 90501-14M06            | 22 - 40     |
| 90501-23215            | 16 - 15     |
| 90507-20M00            | 14 - 27     |
| 90507-26M00            | 14 - 38     |
| 91490-16010            | 16 - 8      |
| 91490-30020            | 23 - 17     |
| 91690-20016            | 5 - 20      |
| 91690-30012            | 14 - 29     |
| 91690-30320            | 16 - 36     |
|                        | 18 - 3      |
|                        | 18 - 14     |
| 92903-10600            | 16 - 14     |
| 92990-06100            | 10 - 22     |
| 92990-06200            | 16 - 32     |
| 92990-06300            | 23 - 12     |

| PART NO.<br>NO. PIECES | REF.<br>NO. | PART NO.<br>NO. PIECES | REF.<br>NO. | PART NO.<br>NO. PIECES | REF.<br>NO. | PART NO.<br>NO. PIECES | REF.<br>NO. | PART NO.<br>NO. PIECES | REF.<br>NO. | PART NO.<br>NO. PIECES | REF.<br>NO. |
|------------------------|-------------|------------------------|-------------|------------------------|-------------|------------------------|-------------|------------------------|-------------|------------------------|-------------|
| 92990-06600            | 10 - 23     | 93450-09M01            | 2 - 4       | 97595-06520            | 26 - 6      |                        |             |                        |             |                        |             |
| 92990-08600            | 27 - 7      | 93450-15023            | 3 - 11      | 97595-06525            | 13 - 3      |                        |             |                        |             |                        |             |
| 92995-06100            | 9 - 27      | 93604-12M07            | 22 - 18     |                        |             |                        |             |                        |             |                        |             |
| 92995-06600            | 9 - 23      |                        | 23 - 4      |                        |             |                        |             |                        |             |                        |             |
|                        | 10 - 3      | 93606-12019            | 5 - 4       | 97595-06530            | 16 - 28     |                        |             |                        |             |                        |             |
|                        | 14 - 18     |                        | 8 - 3       |                        | 24 - 7      |                        |             |                        |             |                        |             |
|                        | 22 - 48     |                        | 21 - 4      | 97595-06535            | 7 - 18      |                        |             |                        |             |                        |             |
| 93101-13M27            | 8 - 2       | 93700-06M03            | 15 - 1      |                        | 13 - 2      |                        |             |                        |             |                        |             |
|                        | 30 - 2      |                        | 17 - 2      | 97595-06540            | 5 - 3       |                        |             |                        |             |                        |             |
| 93101-17054            | 22 - 44     | 94701-00375            | 2 - 14      |                        | 24 - 7      |                        |             |                        |             |                        |             |
|                        | 30 - 17     | 95380-05600            | 10 - 19     | 97595-06555            | 18 - 30     |                        |             |                        |             |                        |             |
| 93101-20048            | 22 - 23     | 95380-06700            | 9 - 29      | 97595-06616            | 26 - 3      |                        |             |                        |             |                        |             |
|                        | 30 - 14     |                        | 14 - 19     | 97595-06625            | 24 - 5      |                        |             |                        |             |                        |             |
| 93102-18M21            | 7 - 1       |                        | 18 - 11     | 97780-50510            | 5 - 16      |                        |             |                        |             |                        |             |
|                        | 28 - 14     | 95380-08600            | 15 - 15     | 97780-60520            | 12 - 3      |                        |             |                        |             |                        |             |
| 93102-25M52            | 3 - 2       |                        | 16 - 26     | 97880-06030            | 10 - 21     |                        |             |                        |             |                        |             |
|                        | 28 - 10     | 95380-08700            | 27 - 6      | 97885-06008            | 14 - 4      |                        |             |                        |             |                        |             |
| 93102-35M51            | 3 - 1       | 95380-10700            | 16 - 26     | 97885-08010            | 14 - 5      |                        |             |                        |             |                        |             |
|                        | 28 - 9      | 95780-10300            | 16 - 25     | 97890-04005            | 6 - 35      |                        |             |                        |             |                        |             |
| 93210-03261            | 27 - 19     | 95895-06020            | 26 - 15     | 97980-04110            | 6 - 18      |                        |             |                        |             |                        |             |
| 93210-06ME6            | 22 - 25     | 95895-06030            | 23 - 11     |                        | 6 - 28      |                        |             |                        |             |                        |             |
|                        | 30 - 16     | 97013-06016            | 7 - 4       |                        | 29 - 11     |                        |             |                        |             |                        |             |
| 93210-08287            | 11 - 14     | 97080-08025            | 22 - 26     | 97980-05208            | 27 - 15     |                        |             |                        |             |                        |             |
|                        | 11 - 16     | 97080-08045            | 22 - 19     | 97980-05225            | 26 - 21     |                        |             |                        |             |                        |             |
| 93210-16275            | 19 - 9      |                        | 30 - 24     | 98180-05025            | 23 - 8      |                        |             |                        |             |                        |             |
| 93210-20M65            | 10 - 24     | 97095-06010            | 18 - 31     | 98580-03005            | 6 - 37      |                        |             |                        |             |                        |             |
|                        | 28 - 18     | 97095-06012            | 13 - 16     | 98586-05016            | 11 - 5      |                        |             |                        |             |                        |             |
| 93210-24M79            | 2 - 13      | 97095-06020            | 9 - 22      | 98980-04006            | 6 - 30      |                        |             |                        |             |                        |             |
|                        | 28 - 8      |                        | 10 - 2      | 99510-10114            | 1 - 3       |                        |             |                        |             |                        |             |
| 93210-27ME3            | 7 - 16      |                        | 22 - 47     |                        | 2 - 6       |                        |             |                        |             |                        |             |
|                        | 28 - 16     | 97095-06090            | 9 - 26      |                        |             |                        |             |                        |             |                        |             |
| 93210-29M94            | 15 - 9      | 97513-06520            | 1 - 11      |                        |             |                        |             |                        |             |                        |             |
| 93210-35M86            | 5 - 8       |                        | 1 - 17      |                        |             |                        |             |                        |             |                        |             |
|                        | 28 - 13     |                        | 2 - 11      |                        |             |                        |             |                        |             |                        |             |
| 93210-44398            | 22 - 16     | 97513-06525            | 2 - 8       |                        |             |                        |             |                        |             |                        |             |
|                        | 30 - 12     | 97513-06530            | 1 - 27      |                        |             |                        |             |                        |             |                        |             |
| 93210-56M80            | 22 - 46     | 97575-06525            | 15 - 17     |                        |             |                        |             |                        |             |                        |             |
|                        | 30 - 19     | 97575-08530            | 23 - 5      |                        |             |                        |             |                        |             |                        |             |
| 93210-57M09            | 22 - 45     | 97575-08535            | 15 - 25     |                        |             |                        |             |                        |             |                        |             |
|                        | 30 - 18     | 97575-08545            | 21 - 3      |                        |             |                        |             |                        |             |                        |             |
| 93306-00501            | 22 - 42     | 97595-05512            | 1 - 12      |                        |             |                        |             |                        |             |                        |             |
| 93315-314V8            | 22 - 3      | 97595-06516            | 8 - 8       |                        |             |                        |             |                        |             |                        |             |
| 93315-317U2            | 22 - 43     |                        | 23 - 20     |                        |             |                        |             |                        |             |                        |             |
| 93332-00005            | 22 - 7      |                        | 24 - 6      |                        |             |                        |             |                        |             |                        |             |
| 93341-414V1            | 22 - 5      |                        | 26 - 21     |                        |             |                        |             |                        |             |                        |             |
| 93430-05027            | 14 - 30     |                        | 27 - 16     |                        |             |                        |             |                        |             |                        |             |
|                        | 14 - 34     | 97595-06520            | 8 - 5       |                        |             |                        |             |                        |             |                        |             |
|                        | 14 - 36     |                        | 26 - 2      |                        |             |                        |             |                        |             |                        |             |

.....

.....

.....

.....

.....

.....

.....

.....

.....

.....

.....

.....

.....

.....

.....

.....

.....

.....

—MEMO—

---

---

---

---

---

---

---

---

---

---

---

---

---

---

---

---

---

---

---

---





*COPYRIGHT : All rights reserved. No part of this publication  
may be reproduced without permission.*

*DROIT DE COPIE : TOUS DROITS RESERVES.*

*TOUTE PARTIE DE CETTE PUBLICATION NE  
PEUT ETRE REPRODUITE SANS AUTORISATION.*



PRINTED ON RECYCLED PAPER  
IMPRIME SUR PAPIER RECYCLE

**YAMAHA**

YAMAHA MOTOR CO., LTD.  
2500 SHINGAI IWATA SHIZUOKA JAPAN  
SERVICE INFORMATION DIV.



Printed in Japan  
First edition OCT., 1997  
**T6**

IMPRIME AU JAPON  
Première édition OCT., 1997  
**T6**

