



FLOOD MARINE SERVICES

downloaded from www.yamahaoutboardparts.co.uk



FLOOD MARINE SERVICES

downloaded from www.yamahaoutboardparts.co.uk

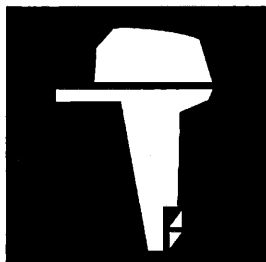


YAMAHA



FLOOD MARINE SERVICES

downloaded from www.yamahaoutboardparts.co.uk



PARTS CATALOGUE CATALOGUE DE PIÈCES DÉTACHÉES



FLOOD MARINE SERVICES

downloaded from www.yamahaoutboardparts.co.uk



FLOOD MARINE SERVICES

downloaded from www.yamahaoutboardparts.co.uk



FLOOD MARINE SERVICES

downloaded from www.yamahaoutboardparts.co.uk

FT9.9A'99(6G8)

1X6G8-300F1

YAMAHA
GENUINE
Parts & Accessories



FLOOD MARINE SERVICES

downloaded from www.yamahaoutboardparts.co.uk



FLOOD MARINE SERVICES

downloaded from www.yamahaoutboardparts.co.uk

A1



FLOOD MARINE SERVICES

downloaded from www.yamahaoutboardparts.co.uk

FOREWORD

This Parts Catalogue is related to the parts for the model(s) in the below frame. When you are ordering replacement parts, please refer to this Parts Catalogue and quote both part numbers and part names correctly.

FT9.9A'99(6G8)

1. Modifications or additions which have been made after issue of the Parts Catalogue will be announced in the Yamaha Parts News.
It is advisable that you make necessary corrections to the Parts Catalogue according to the Yamaha Parts News.

2. Abbreviations

The Following abbreviations are used in this Parts Catalogue.

"UR" Use specified parts number.

"UN" Use as many as needed.

"AP" Alternate Parts

"LM" Local Made
(Parts need to be ordered locally)

"O/S" Over Size

3. Parts, which are to be supplied in an assembly, are listed with a dot(.) in front of the part name as shown below.

EXAMPLE

CARBURETOR ASSY

.JET, PILOT

.NOZZLE, MAIN

4. Number of component for assembly

The numeral appearing to the right of each component part indicates the quantity of parts for each assembly unit.

EXAMPLE

PART NO.	DESCRIPTION	U	EH	EHT		REMARKS
6E0-85500-70	C.D.I. MAGNETO ASSY	1				
6E0-85550-70	.ROTOR ASSY	1				
6E0-15723-00-94.	PULLY, STARTER	1				

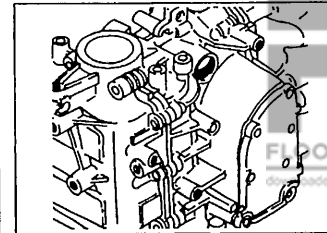
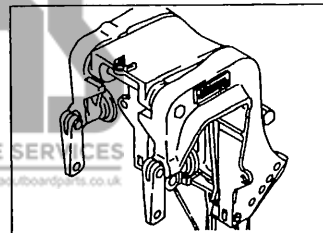
5. Quantity Column Information

NAME for Q'TY COLUMN	APPLICABLE MODEL
MH	FT9.9AMH
EH	FT9.9AEH
E	FT9.9AE

6. Applicable Serial No. and Color Code

1) Engine Sserial No.

FT9.9AMH L : 304894 ~ X : 703594 ~	FT9.9AE S : 101304 ~ L : 414328 ~ X : 762879 ~
FT9.9AEH L : 472697 ~ X : 788807 ~	



2) Color Code

Color Code	Color Name	Abbreviation
004D	DARK BLUISH GRAY METALLIC 2	DBNM2

7. Note that the illustrations for reference in funding parts numbers, not to be used for assembling. When assembling, pleas use the applicable service manual.

8. The asterisk (*) before a reference number indicates modification items after the first edition.

AVANT-PROPOS

Ce Catalogue de pièces détachées concerne les pièces pour le(s) modèle(s) indiqué(s) dans le cadre ci-dessous. Lorsque vous commandez des pièces de rechange, veuillez vous référer à ce catalogue de pièces détachées et indiquer clairement les numéros et les noms des pièces détachées.

FT9.9A'99(6G8)

1. Les modifications ou ajouts ayant été effectués après la parution du catalogue de pièces détachées seront décrits dans les Bulletins d'information Yamaha concernant les pièces détachées. Il est recommandé que vous apportiez les corrections nécessaires au catalogue des pièces détachées en vous référant aux Bulletins d'information Yamaha.

2. Abréviations

Dans ce catalogue, les abréviations suivantes sont utilisées:

"UR" Utiliser le numéro des pièces.

"UN" Utiliser autant que nécessaire.

"AP" Pièces de substitution

"LM" Fabrication locale (les pièces doivent être commandées localement.)

3. Dans ce catalogue, les pièces qui sont fournies dans un ensemble sont précédées d'un point (.) de la manière indiquée ci-dessous.

EXEMPLE

ENS CARBURATEUR

.GICLEUR, ralenti

.PUITS D'AIGUILLE

4. Nombre de pièces composant un ensemble

Le chiffre apparaissant à la droite de chaque description indique la quantité de pièces pour chaque ensemble de pièces.

EXEMPLE

NO. PIECES	DESCRIPTION	w	u	t	u	REMARQUES
6E0-85500-70	MAGNETO C.D.I. CPLT	1				
6E0-85550-70	.ROTOR CPLT	1				
6E0-15723-00-94	..POULIE DE DEMARREUR	1				

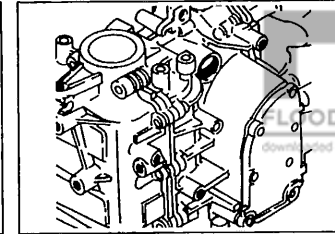
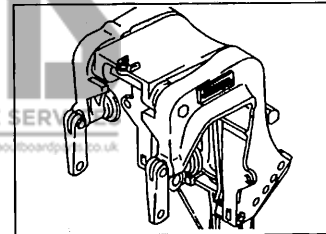
5. Indication concernant la quantité

Indication concernant la quantité	Applications modèle
MH	FT9.9AMH
EH	FT9.9AEH
E	FT9.9AE

6. Applications No de série et code couleur correspondants

1) No. de série du moteur

FT9.9AMH L : 304894 ~ X : 703594 ~ FT9.9AEH L : 472697 ~ X : 788807 ~	FT9.9AE S : 101304 ~ L : 414328 ~ X : 762879 ~
--	--



2) Code couleur

Code couleur	Nom de couleur	Abréviation
004D	DARK BLuish GRAY METALLIC 2	DBNM2

7. Veuillez noter que les illustrations sont indiquées pour référence pour trouver les numéros de pièces, non pour être utilisées lors de l'assemblage. Lors de l'assemblage, veuillez utiliser le manuel d'entretien adéquat.

8. L'astérisque (*) placé devant un numéro de référence. indique des éléments qui ont été modifiés après la première édition.

SHEET 1/2

CYLINDER. CRANKCASE	A4
CRANKSHAFT. PISTON	A6
VALVE	A7
INTAKE	B1
CARBURETOR	B3
OIL PUMP	B5
OIL PAN	B6
STARTER	B7
FUEL	C2
FUEL TANK	C4
TOP COWLING	C5
BOTTOM COWLING	C6
BRACKET 1	D1
BRACKET 2	D4
STEERING	D6
CONTROL	E1
REMOTE CONTROL ATTACHMENT	E3
STEERING GUIDE	E4
REMOTE CONTROL BOX	E5
REMOTE CONTROL ASSY 1	E6
REMOTE CONTROL ASSY 2	F2
UPPER CASING	F4
LOWER CASING. DRIVE 1	F6

INDEX

NUMERICAL INDEX	G1
-----------------------	----

CONTENTS

SHEET 2/2

LOWER CASING. DRIVE 1	A4*
LOWER CASING. DRIVE 2	A5*
GENERATOR	A6*
STARTING MOTOR	A7*
ELECTRICAL 1	B1*
ELECTRICAL 2	B3*
ELECTRICAL 3	B4*
OPTIONAL PARTS	B5*
REPAIR KIT 1	B6*
REPAIR KIT 2	C1*

INDEX

NUMERICAL INDEX	G1*
-----------------------	-----

TABLE DES MATIERES

Feuille 1/2

CYLINDRE. CARTER	A4
VILEBREQUIN. PISTON	A6
SOUPAPE	A7
ADMISSION	B1
CARBURATEUR	B3
POMPE A HUILE	B5
VENTILATEUR D'HUILE	B6
DEMARREUR	B7
CARBURANT	C2
RESERVOIR A CARBURANT	C4
CAPOT SUPERIEUR	C5
CAPOT INFERIEUR	C6
SUPPORT 1	D1
SUPPORT 2	D4
DIRECTION	D6
COMMANDE	E1
COMMANDE A DISTANCE	E3
FIXATION DE DIRECTION	E4
BOITIER DE COMMANDE A DISTANCE	E5
BOITIER DE COMMANDE A DISTANCE 1	E6
BOITIER DE COMMANDE A DISTANCE 2	F2
FOURREAU	F4
BOITIER D'HELICE, TRANSMISSION 1	F6

INDEX

INDEX NUMERIQUE	G1
-----------------------	----

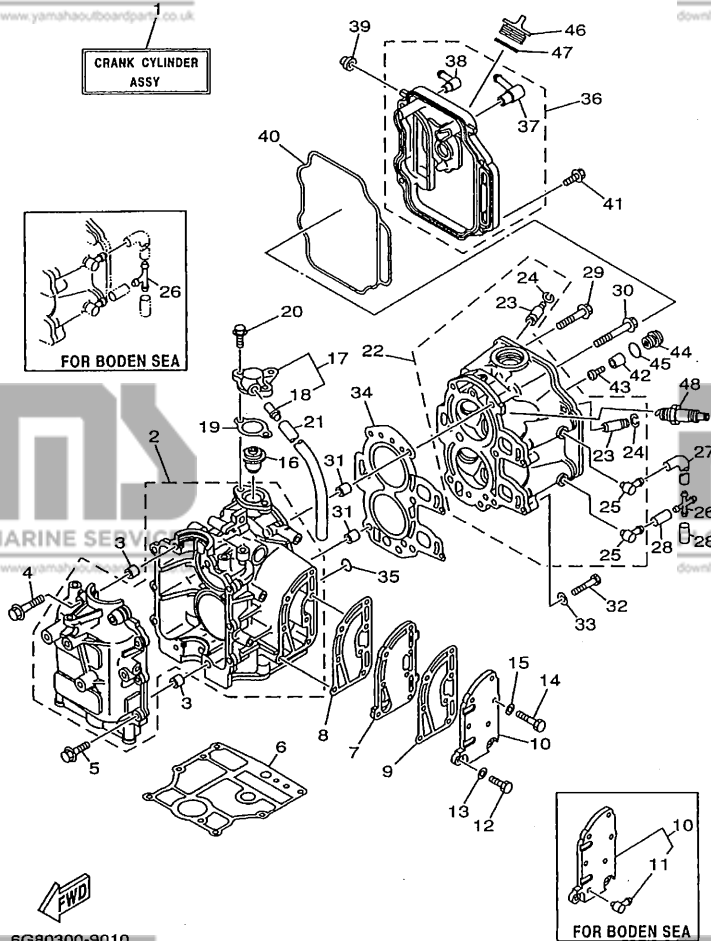
Feuille 2/2

BOITIER D'HELICE, TRANSMISSION 1	A4*
BOITIER D'HELICE, TRANSMISSION 2	A5*
GENERATRICE	A6*
DEMARREUR ELECTRIQUE	A7*
PARTIE ELECTRIQUE 1	B1*
PARTIE ELECTRIQUE 2	B3*
PARTIE ELECTRIQUE 3	B4*
PIECES OPTIONNELLES	B5*
KITS DE REPARATION 1	B6*
KITS DE REPARATION 2	C1*

INDEX

INDEX NUMERIQUE	G1*
-----------------------	-----

FIG. 1 CYLINDER. CRANKCASE CYLINDRE. CARTER

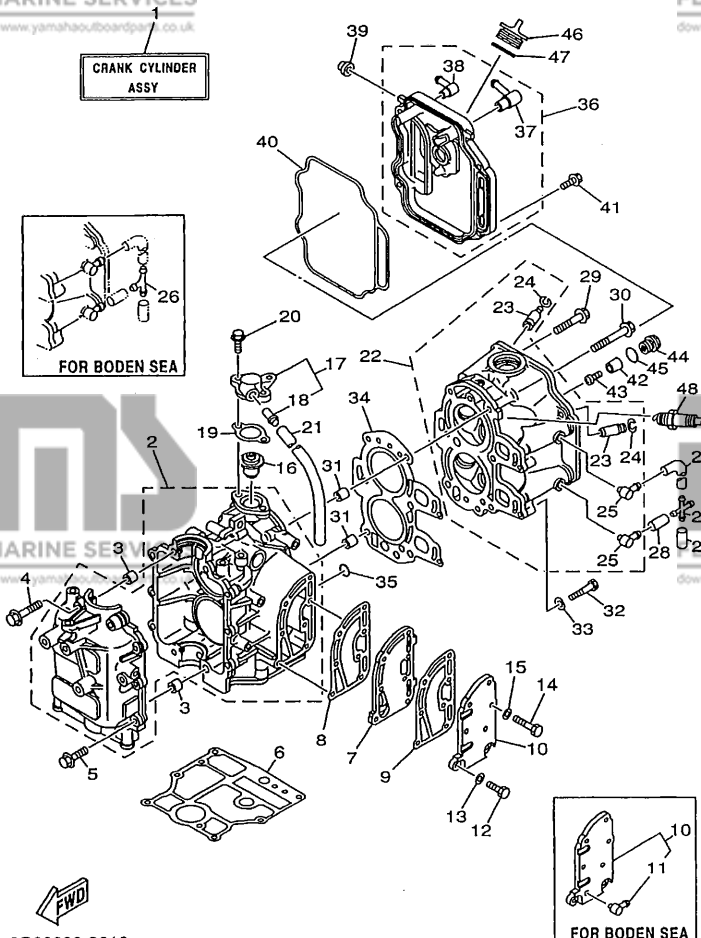


REF. NO.	PART NO. NO. PIECES	DESCRIPTION DESCRIPTION	MH	EH	W	REMARKS REMARQUES
1	6G8-W0090-33-1S	CRANK CYLINDER ASSY EMBIELLAGE CYLINDRE (ENS.) (REF.NO. 2-5, 7-47, FIG.2, REF.NO. 1-12, FIG.3, REF.NO. 1-16)	1	1	1	
2	6G8-15100-05-1S	CRANKCASE ASSY CARTER DE MOTEUR COMPLET	1	1	1	
3	99510-10114	PIN, DOWEL GOIJON, D'ASSEMBLAGE	2	2	2	
4	90119-08M18	BOLT, WITH WASHER BOULON, AVEC RONDELLE	4	4	4	
5	90119-06M12	BOLT, WITH WASHER BOULON, AVEC RONDELLE	6	6	6	
6	6G8-11351-A0	GASKET, CYLINDER JOINT, D'EMBASE	1	1	1	
7	6G8-41111-02-1S	INNER COVER, EXHAUST PLAQUE, ECHAPPEMENT	1	1	1	
8	6G8-41112-02	GASKET, EXHAUST INNER COVER JOINT, PLAQUE D'ECHAPPEMENT	1	1	1	
9	6G8-41114-00	GASKET, EXHAUST OUTER COVER JOINT, COUVERCLE D'ECHAPPEMENT	1	1	1	
10	6G8-41113-10-1S	OUTER COVER, EXHAUST COUVERCLE, ECHAPPEMENT	1	1	1	UR STD
	6G8-41113-02-1S	OUTER COVER, EXHAUST COUVERCLE, ECHAPPEMENT	1	1	1	UR FOR BODEN SEA
11	676-11372-00	.NIPPLE, HOSE .RACCORD, TUYAU	1	1	1	FOR BODEN SEA
12	97013-06025	BOLT BOULON	2	2	2	
13	92903-06600	WASHER, PLATE RONDELLE, PLATE	2	2	2	
14	97013-06030	BOLT BOULON	5	5	5	
15	92903-06600	WASHER, PLATE RONDELLE, PLATE	5	5	5	
16	6G8-12411-02	THERMOSTAT THERMOSTAT	1	1	1	
17	6G8-12413-00-1S	COVER, THERMOSTAT COUVERCLE, THERMOSTAT	1	1	1	
18	6E5-24377-00	PIPE, JOINT 3 .DURITE RACCORDEMENT	1	1	1	
19	6G8-12414-A0	GASKET, COVER JOINT, COUVERCLE	1	1	1	
20	97513-06520	BOLT, WITH WASHER VIS HEXAGONAL AVEC RONDELLE	2	2	2	
21	90445-11M66	HOSE DURITE	1	1	1	
22	6G8-11111-03-1S	HEAD, CYLINDER 1 CULASSE	1	1	1	
23	6G8-11133-10	.GUIDE, INTAKE VALVE .GUIDE, SOUP D'ADM	4	4	4	
24	93450-09M01	.CIRCLIP .CIRCLIP, TYPE S	4	4	4	

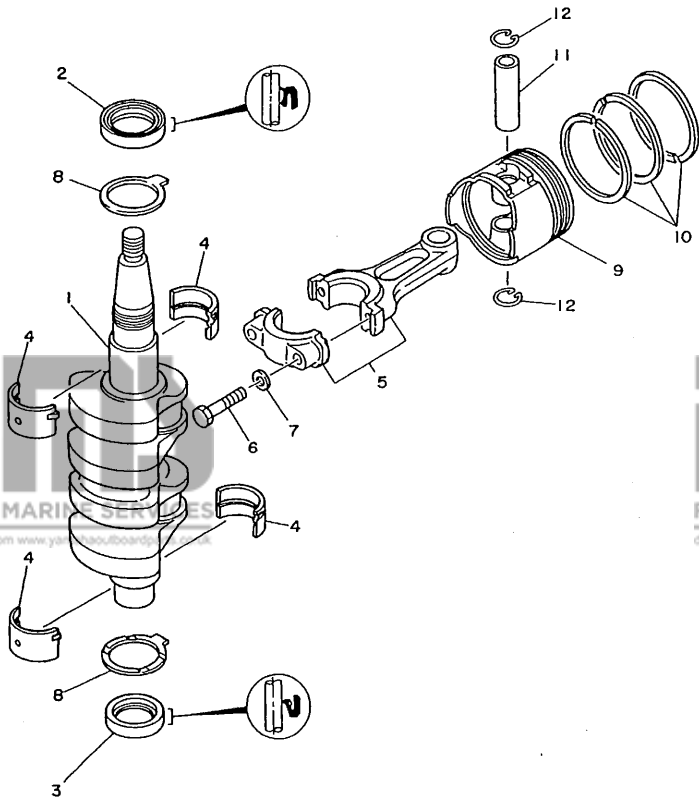
6G80300-9010

FIG. 1 CYLINDER, CRANKCASE CYLINDRE, CARTER

REF. NO.	PART NO. NO. PIECES	DESCRIPTION	MH	EH	W	REMARKS
25	676-11372-00	.NIPPLE, HOSE .RACCORD, TUYAU	2	2	2	
26	6G9-24379-00	PIPE, JOINT 4 DURITE RACCORDEMENT 4	1	1	1	UR STD
	688-24378-00	PIPE, JOINT 4 DURITE RACCORDEMENT 4	1	1	1	UR FOR BODEN SEA
27	6G8-12481-01	PIPE 1 DURITE 1	1	1	1	
28	90445-09220	HOSE DURITE	2	2	2	
29	90105-08M37	BOLT, WASHER BASED BOULON, AVEC RONDELLE	3	3	3	
30	90105-08M36	BOLT, WASHER BASED BOULON, AVEC RONDELLE	3	3	3	
31	99510-10114	PIN, DOWEL GOUJON, D'ASSEMBLAGE	2	2	2	
32	97013-06035	BOLT BOULON	2	2	2	
33	92903-06600	WASHER, PLATE RONDELLE, PLATE	2	2	2	
34	6G8-11181-A1	GASKET, CYLINDER HEAD 1 JOINT, DE CULASSE 1	1	1	1	
35	93210-11M59	O-RING JOINT TORIQUE	1	1	1	
36	6G8-11191-01-1S	COVER, CYLINDER HEAD 1 COUVERCLE, CULASSE 1	1	1	1	
37	6G8-15373-00	.PIPE, BREATHER .DURITE DE RENIFLARD	1	1	1	
38	676-11372-00	.NIPPLE, HOSE .RACCORD, TUYAU	1	1	1	
39	6G8-81336-00	GROMMET OUILLET CAOUTCHOUC	2	2	2	
40	6G8-11356-00	SEAL, CYLINDER 2 JOINT, SPY CYLINDRE	1	1	1	
41	97513-06520	BOLT, WITH WASHER VIS HEXAGONAL AVC RONDELLE	4	4	4	
42	6G8-11325-00	ANODE ANODE	1	1	1	
43	97880-05025	SCREW, PAN HEAD VIS, TETE TRONCONIQUE	1	1	1	
44	6G8-11197-00	PLUG, BLIND PLOT, BORGNE	1	1	1	
45	93210-13M63	O-RING JOINT TORIQUE	1	1	1	
46	6G8-15363-00	PLUG, OIL PLOT, HUILE	1	1	1	
47	93210-24M79	O-RING JOINT TORIQUE	1	1	1	
48	94701-00282	PLUG SPARK (NGK CR6HS) BOUGIE (NGK CR6HS)	2	2	2	



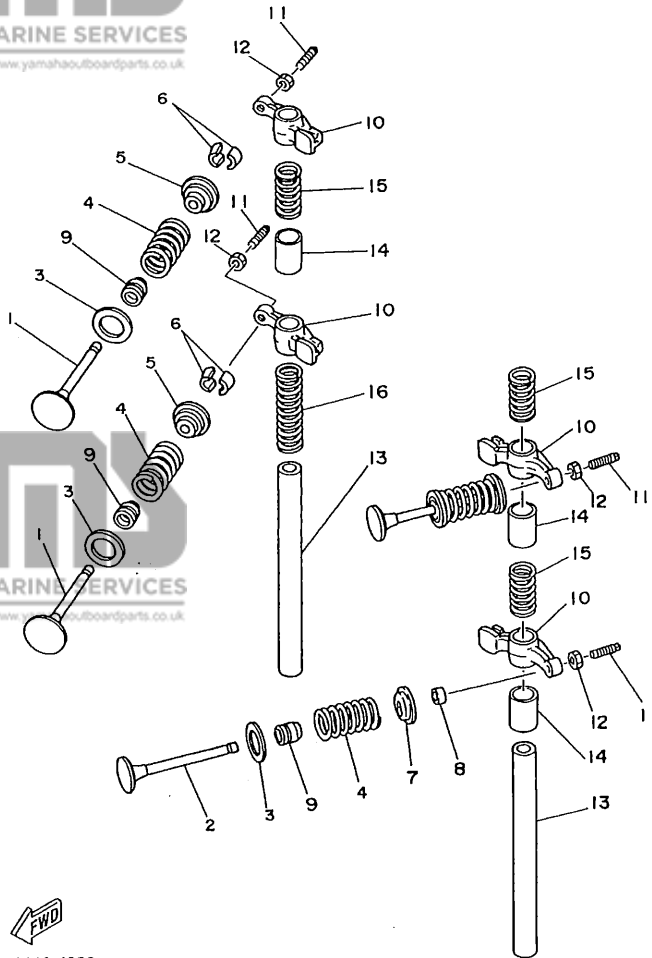
FWD
6G80300-9010



6G90010-4020

FIG. 2 CRANKSHAFT. PISTON VILEBREQUIN. PISTON

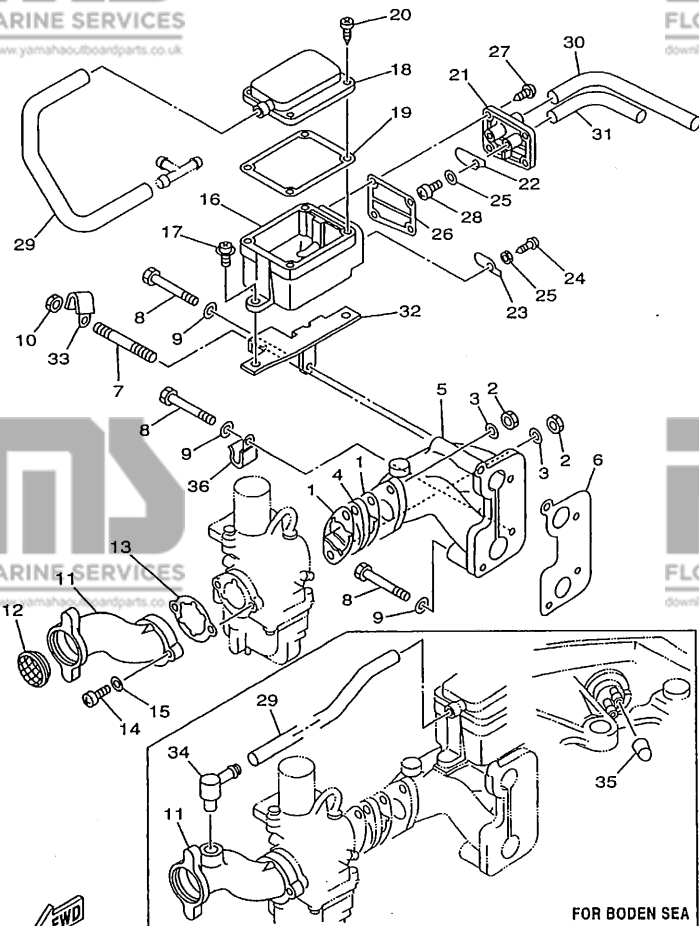
REF. NO.	PART NO. NO. PIECES	DESCRIPTION DESCRIPTION	M	U	W	REMARKS REMARQUES
1	6G8-11411-04	CRANKSHAFT VILEBREQUIN COMPLET	1	1	1	
2	93102-30M22	OIL SEAL JOINT SPY	1	1	1	
3	93101-25M24	OIL SEAL JOINT SPY	1	1	1	
4	6G8-11416-00	PLANE BEARING, CRANKSHAFT 1 COUSSINET DE VILEBREQUIN	4	4	4	UR BROWN
	6G8-11416-10	PLANE BEARING, CRANKSHAFT 1 COUSSINET DE VILEBREQUIN	4	4	4	UR BLACK
	6G8-11416-20	PLANE BEARING, CRANKSHAFT 1 COUSSINET DE VILEBREQUIN	4	4	4	UR BLUE
5	6G8-11650-03	CONNECTING ROD ASSY BIELLE COMPLETE	2	2	2	
6	6G8-11654-00	BOLT, CONNECTING ROD BOULON, BIELLE	4	4	4	
7	90201-06M00	WASHER, PLATE RONDELLE, PLATE	4	4	4	
8	6G8-11426-00	PLANE BEARING, CRANKSHAFT 1 COUSSINET, VILEBREQUIN 1	2	2	2	
9	6G8-11631-03-96	PISTON (STD) PISTON (STD)	2	2	2	
	6G8-11635-03	PISTON (0.25MM O/S) PISTON (0.25MM O/S)	2	2	2	AP
	6G8-11636-03	PISTON (0.50MM O/S) PISTON (0.50MM O/S)	2	2	2	AP
10	6G8-11610-02	PISTON RING SET (STD) JEU DE SEGMENTS (STD)	2	2	2	
	6G8-11610-12	PISTON RING SET (0.25MM O/S) JEU DE SEGMENTS (0.25MM O/S)	2	2	2	AP
	6G8-11610-22	PISTON RING SET (0.50MM O/S) JEU DE SEGMENTS (0.50MM O/S)	2	2	2	AP
11	634-11633-00	PIN, PISTON AXE, PISTON	2	2	2	
12	93450-15023	CIRCLIP CIRCLIP, TYPE S	4	4	4	



6G90010-4030

FIG. 3 VALVE SOUPAPE

REF. NO.	PART NO. NO. PIECES	DESCRIPTION DESCRIPTION	M/H	E/H	W	REMARKS REMARQUES
1	6G8-12111-00	VALVE, INTAKE SOUPAPE, ADMISSION	2	2	2	
2	6G8-12121-01	VALVE, EXHAUST SOUPAPE, ECHAPPEMENT	2	2	2	
3	6G8-12116-00	SEAT, VALVE SPRING SIEGE, RESSORT DE SOUPAPE	4	4	4	
4	6G8-12113-00	SPRING, VALVE INNER RESSORT DE SOUPAPE, INTERNE	4	4	4	
5	6G8-12117-00	RETAINER, VALVE SPRING BUTEE DE RESSORT DE SOUPAPE	2	2	2	
6	30X-12118-00	COTTER, VALVE FRAISE, SOUPAPE	4	4	4	
7	6G8-12117-10	RETAINER, VALVE SPRING BUTEE DE RESSORT DE SOUPAPE	2	2	2	
8	6G8-12153-00	LIFTER, VALVE LEVE-SOUPAPE	2	2	2	
9	51Y-12119-00	SEAL, VALVE STEM JOINT, QUEUE DE SOUPAPE	4	4	4	
10	6G8-12151-00	ARM, VALVE ROCKER CULBUTEUR	4	4	4	
11	6G8-12159-00	SCREW, VALVE ADJUSTING VIS, REGLAGE DE SOUPAPE	4	4	4	
12	6G8-12158-00	NUT, LOCK CONTRE-ECROU	4	4	4	
13	6G8-12146-00	SHAFT, ROCKER AXE, CULBUTEUR	2	2	2	
14	90387-13M56	COLLAR COLLERETTE	3	3	3	
15	90501-12M40	SPRING, COMPRESSION RESSORT, COMPRESSION	3	3	3	
16	90501-12M41	SPRING, COMPRESSION RESSORT, COMPRESSION	1	1	1	



6G80300-9040

FIG. 4 INTAKE

ADMISSION

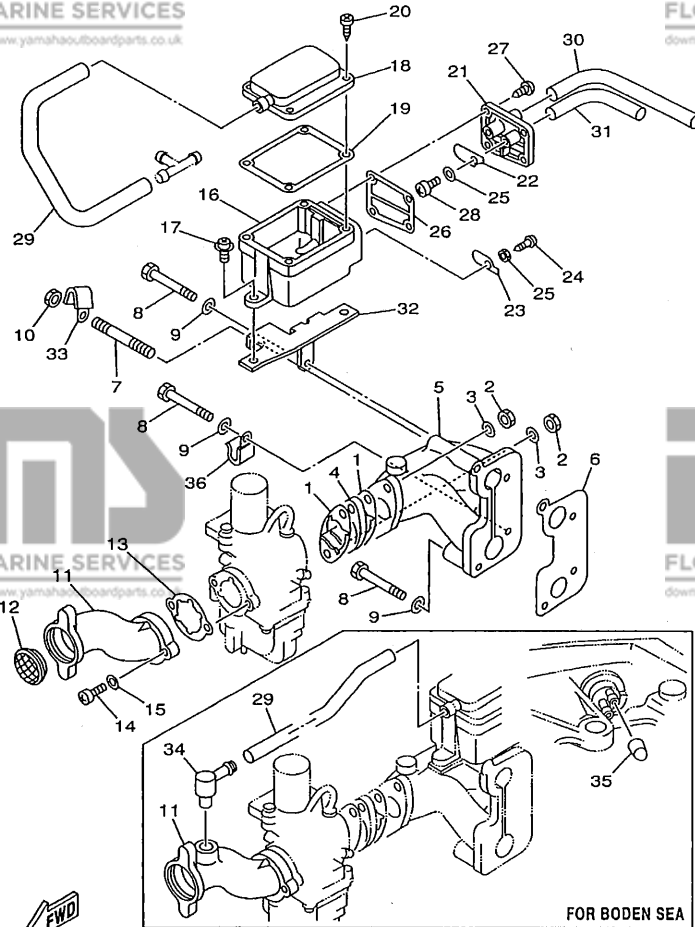
REF. NO.	PART NO. NO. PIECES	DESCRIPTION DESCRIPTION	MH	EH	U	REMARKS REMARQUES
1	6G8-13646-A0	GASKET, MANIFOLD 2 JOINT, TUBULURE 2	2	2	2	
2	95380-06700	NUT ECROU	2	2	2	
3	92990-06600	WASHER, PLATE RONDELLE, PLATE	2	2	2	
4	6G8-13647-00	GASKET, MANIFOLD 3 JOINT, TUBULURE 3	1	1	1	
5	6G8-13641-01-94	MANIFOLD 1 TUBULURE 1	1	1	1	
6	6G8-13645-00	GASKET, MANIFOLD 1 JOINT, TUBULURE 1	1	1	1	
7	90116-06M15	BOLT, STUD GOUJON	1	1	1	
8	97095-06045	BOLT BOULON	3	3	3	
9	92995-06600	WASHER RONDELLE	3	3	3	
10	95380-06700	NUT ECROU	1	1	1	
11	6G8-14479-02-94	FUNNEL AILLE	1	1	1	UR STD
	6G8-14479-10-94	FUNNEL AILLE	1	1	1	UR FOR BODEN SEA
12	6G8-14478-00	LOUVER VOLET	1	1	1	
13	6G8-14198-A0	GASKET JOINT	1	1	1	
14	97880-05016	SCREW, PAN HEAD VIS, TETE TRONCONIQUE	2	2	2	
15	92990-05600	WASHER, PLATE RONDELLE, PLATE	2	2	2	
16	6G8-15358-00	SEPARATOR, OIL SEPARATEUR, HUILE	1	1	1	
17	90159-06M05	SCREW, WITH WASHER VIS, AVEC RONDELLE	2	2	2	
18	6G8-15368-00-94	SEPERATOR, OIL SEPARATEUR, HUILE	1	1	1	
19	6G8-15369-00	GASKET, OIL SEAL HOUSING JOINT SPY DE LOGEMENT	1	1	1	
20	97780-40512	SCREW, TAPPING VIS, TETE FRAISEE	4	4	4	
21	6G8-15371-00-94	BREATHER RENIFLARD	1	1	1	
22	6G8-15346-00	BREATHER 1 RENIFLARD 1	1	1	1	
23	6G8-15347-00	BREATHER 2 RENIFLARD 2	1	1	1	
24	97780-40512	SCREW, TAPPING VIS, TETE FRAISEE	1	1	1	
25	92990-04200	WASHER, PLAIN RONDELLE, PLATE	2	2	2	
26	6G8-15374-00	GASKET, BREATHER JOINT, RENIFLARD	1	1	1	

B1

FIG. 4 INTAKE

ADMISSION

REF. NO.	PART NO. NO. PIECES	DESCRIPTION DESCRIPTION	MH	EH	E	REMARKS REMARQUES
27	97780-40512	SCREW, TAPPING VIS, TETE FRAISEE	4	4	4	
28	98507-04010	SCREW, PAN HEAD VIS, TETE TRONCONIQUE	1	1	1	
29	6G8-15393-00	PIPE, BREATHER 2 DURITE, RENIFLARD 2	1	1	1	UR STD
	6G8-15393-10	PIPE, BREATHER 2 DURITE, RENIFLARD 2	1	1	1	UR FOR BODEN SEA
30	90445-11M52	HOSE DURITE	1	1	1	
31	90445-09065	HOSE DURITE	1	1	1	
32	6G8-15376-00	HOLDER, GUIDE SUPPORT, GUIDE	1	1	1	
33	90465-08M75	CLAMP BRIDE	1	1	1	
34	6G8-15373-00	PIPE, BREATHER DURITE DE RENIFLARD	1	1	1	FOR BODEN SEA
35	6G8-13448-00	CAP CAPUCHON	1	1	1	FOR BODEN SEA
36	90465-08M75	CLAMP BRIDE	1	1	1	



6G80300-9040

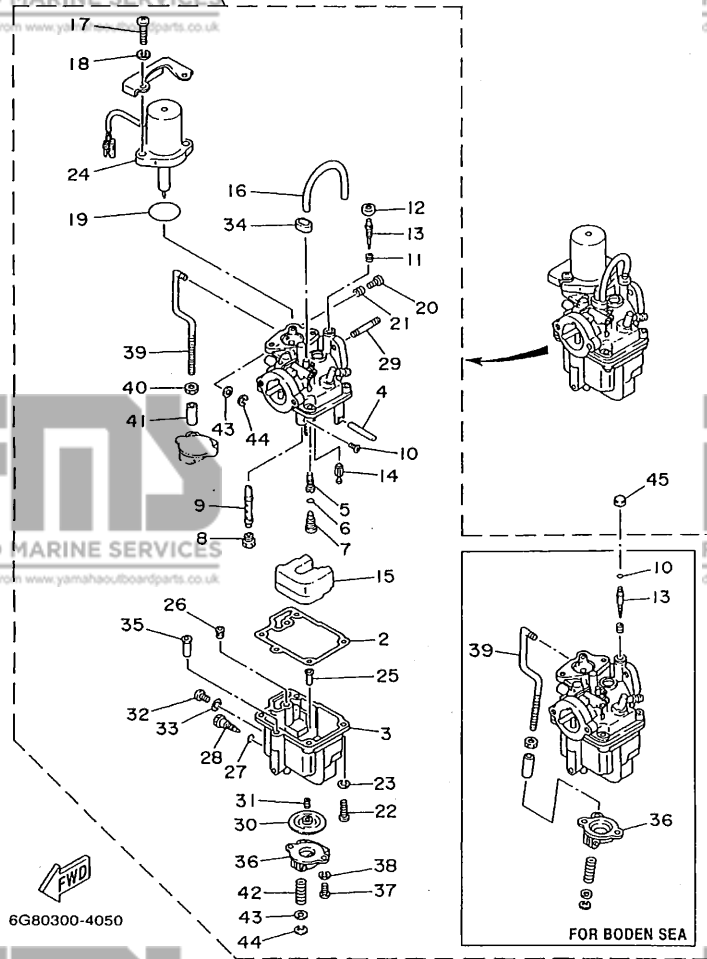


FIG. 5 CARBURETOR CARBURATEUR

REF. NO.	PART NO. NO. PIECES	DESCRIPTION DESCRIPTION	MHT	ET	W	REMARKS REMARQUES
1	6G8-14301-05	CARBURETOR ASSY 1 CARBURATEUR COMPLET	1	1	1	UR STD
	6G8-14301-10	CARBURETOR ASSY 1 CARBURATEUR COMPLET	1	1	1	UR FOR BODEN SEA
2	6G8-14384-01	.GASKET, FLOAT CHAMBER .JOINT, CUVE DE FLOTTEUR	1	1	1	
3	6G8-14381-02	.BODY, FLOAT CHAMBER .CORPS, CUVE DE FLOTTEUR	1	1	1	
4	647-14386-00	.PIN, FLOAT .AXE, FLOTTEUR	1	1	1	
5	6G8-14342-24	.JET, PILOT (# 48) .GICLÉUR, RALENTI (# 48)	1	1	1	
6	654-14198-00	.GASKET .JOINT	1	1	1	
7	6G8-14345-00	.PLUG, MAIN NOZZLE .PLOT, GICLÉUR PRINCIPAL	1	1	1	
8	648-14343-43	.JET, MAIN (# 86) .GICLÉUR, PRINCIPAL (# 86)	1	1	1	UR STD
	648-14343-41	.JET, MAIN (# 82) .GICLÉUR, PRINCIPAL (# 82)	1	1	1	UR FOR BODEN SEA
9	6G8-14341-20	.NOZZLE, MAIN .PUITS D'AIGUILLE	1	1	1	UR STD
	6G8-14341-30	.NOZZLE, MAIN .PUITS D'AIGUILLE	1	1	1	UR FOR BODEN SEA
10	6G8-14216-00	.SCREW .VIS	1	1	1	UR STD
	5H0-14397-00	.O-RING .JOINT TORIQUE	1	1	1	UR FOR BODEN SEA
11	647-14334-00	.SPRING .RESSORT	1	1	1	
12	6G8-14997-00	.SEAL .DURITE	1	1	1	STD
13	6G8-14323-00	.SCREW, AIR ADJUSTING .VIS DE DOSEUR D'AIR	1	1	1	UR STD
	6G8-14323-10	.SCREW, AIR ADJUSTING .VIS DE DOSEUR D'AIR	1	1	1	UR FOR BODEN SEA
14	6G8-14392-00	.VALVE, NEEDLE .POINTEAU	1	1	1	
15	6G8-14385-00	.FLOAT .FLOTTEUR	1	1	1	
16	6G8-14197-01	.PIPE .DURITE	1	1	1	
17	98580-06018	.SCREW, PAN HEAD .VIS, TÊTE TRONCONIQUE	2	2	2	
18	92990-06100	.WASHER, SPRING .RONDELLE, GROUVER	2	2	2	
19	1HV-14147-00	.O-RING .JOINT TORIQUE	1	1	1	
20	664-14321-01	.SCREW, THROTTLE .VIS, ACCELERATEUR	1	1	1	
21	646-14212-00	.SPRING, PILOT ADJUSTING .RESSORT, VIS DE RALENTI	1	1	1	
22	98580-04016	.SCREW, PAN HEAD .VIS, TÊTE TRONCONIQUE	4	4	4	

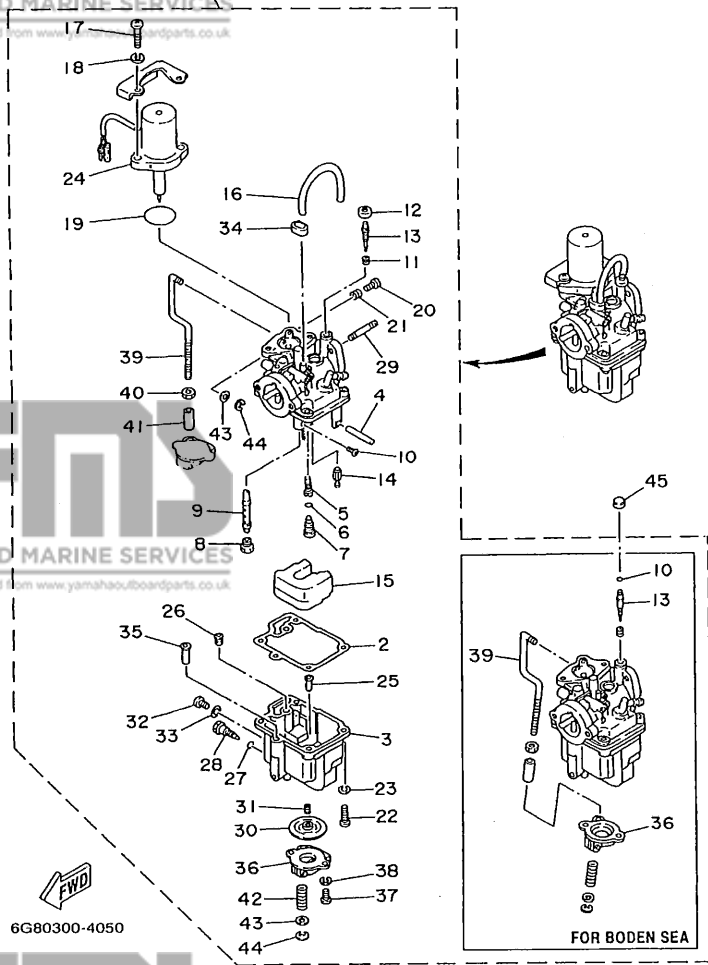


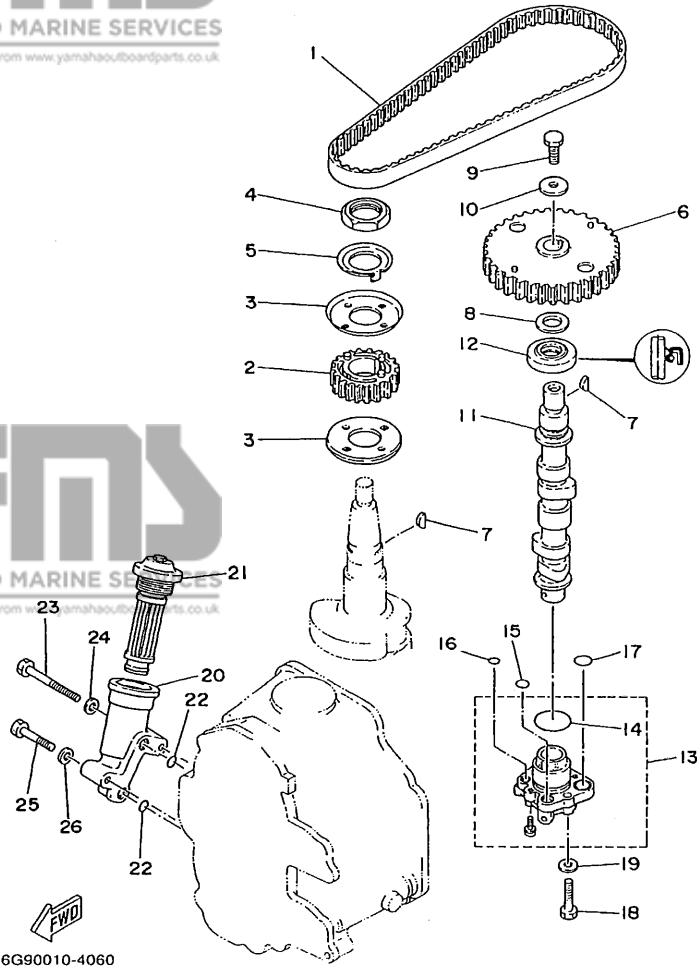
FIG. 5 CARBURETOR

CARBUREATEUR

REF. NO.	PART NO. NO. PIECES	DESCRIPTION DESCRIPTION	M	H	W	REMARKS REMARQUES
23	92990-04100	.WASHER, SPRING .RONDELLE, GROWER	4	4	4	
24	6G8-1410A-01	.STARTER SET .JEU DE STATERES	1	1	1	
25	6G8-14827-00	.FILTER .FILTRE	1	1	1	
26	6A4-14344-30	.JET, STARTER (# 60) .GICLEUR, STARTER (# 60)	1	1	1	
27	5Y1-14397-00	.O-RING .JOINT TORIQUE	1	1	1	
28	6G8-14383-00	.SCREW, DRAIN .BOUCHON, PURGE	1	1	1	
29	90116-06M26	.BOLT, STUD .GOUJON	2	2	2	
30	6G8-14368-02	.DIAPHRAGM ASSY 1 .DIAPHRAGME 1	1	1	1	
31	6G8-14275-01	.SPRING .RESSORT	1	1	1	
32	97890-05006	.SCREW, PAN HEAD .VIS, TETE TRONCONIQUE	1	1	1	
33	646-14198-01	.GASKET .JOINT	1	1	1	
34	6G8-14349-00	.PIPE .DURITE	1	1	1	
35	6G8-14217-00	.VALVE, CHOKE .CLAPET DE STARTER	1	1	1	
36	6G8-14293-03 6G8-14293-10	.COVER 1 .COUVERCLE 1 .COVER 1 .COUVERCLE 1	1	1	1	UR STD UR FOR BODEN SEA
37	98580-04010	.SCREW, PAN HEAD .VIS, TETE TRONCONIQUE	2	2	2	
38	92990-04100	.WASHER, SPRING .RONDELLE, GROWER	2	2	2	
39	6G8-14379-00 6G8-14379-10	.ROD, STARTER .TRINGLE, STARTER .ROD, STARTER .TRINGLE, STARTER	1	1	1	UR STD UR FOR BODEN SEA
40	98813-03100	.NUT .ECROU	1	1	1	
41	6G8-14229-00	.SHAFT, CHOKE .AXE, STARTER	1	1	1	
42	6G8-14286-01	.SPRING .RESSORT	1	1	1	
43	6G8-14357-00	.WASHER, PLAIN .RONDELLE PLATE	2	2	2	
44	389-14137-00	.CLIP .JONC	2	2	2	
45	6G8-14457-00	.SEAL .JOINT	1	1	1	FOR BODEN SEA

FIG. 6 OIL PUMP

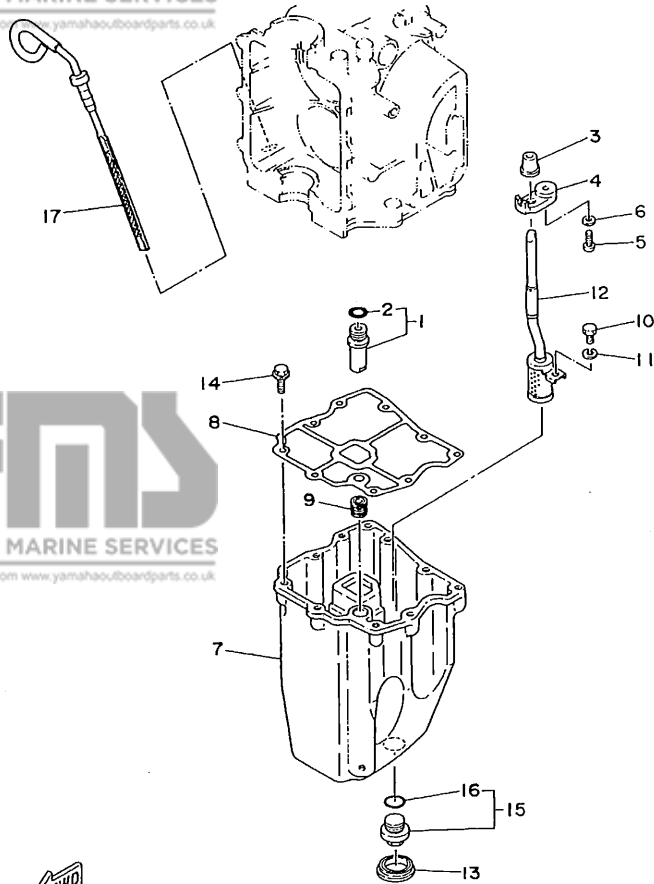
POMPE A HUILE



REF. NO.	PART NO. NO. PIECES	DESCRIPTION DESCRIPTION	M	H	U	REMARKS REMARQUES
1	6G8-46241-00	V-BELT COURROIE TRAPEZOIDALE	1	1	1	
2	6G8-11536-00-94	GEAR, DRIVE PIGNON SECONDAIRE	1	1	1	
3	6G8-11557-00	WASHER 1 RONDELLE 1	2	2	2	
4	90170-24M09	NUT ECROU	1	1	1	
5	6G8-11587-00	WASHER, LOCK RONDELLE, FREIN	1	1	1	
6	6G8-11537-00-94	GEAR, DRIVEN PIGNON SECONDAIRE	1	1	1	
7	90280-03M01	KEY, WOODRUFF CLAVETTE, DEMI-LUNE	2	2	2	
8	90201-13201	WASHER, PLATE RONDELLE, PLATE	1	1	1	
9	97013-06016	BOLT BOULON	1	1	1	
10	90201-06M94	WASHER, PLATE RONDELLE, PLATE	1	1	1	
11	6G8-12171-00	CAMSHAFT 1 ARBRE A CAMES 1	1	1	1	
12	93102-18M21	OIL SEAL JOINT SPY	1	1	1	
13	6G8-13300-02	OIL PUMP ASSY POMPE A HUILE COMPLET	1	1	1	
14	93210-27ME3	O-RING JOINT TORIQUE	1	1	1	
15	93210-10M61	O-RING JOINT TORIQUE	1	1	1	
16	93210-09M01	O-RING JOINT TORIQUE	1	1	1	
17	93210-13M63	O-RING JOINT TORIQUE	2	2	2	
18	97095-06025	BOLT BOULON	3	3	3	
19	92995-06600	WASHER RONDELLE	3	3	3	
20	6G8-13442-00-1S	HOUSING, OIL FILTER LOGEMENT, FILTRE A HUILE	1	1	1	
21	6G8-13440-00	ELEMENT ASSY, OIL CLEANER ELEMENT, FILTRE A HUILE	1	1	1	
22	93210-09M01	O-RING JOINT TORIQUE	2	2	2	
23	97013-06050	BOLT BOULON	1	1	1	
24	92903-06600	WASHER, PLATE RONDELLE, PLATE	1	1	1	
25	97013-06030	BOLT BOULON	1	1	1	
26	92903-06600	WASHER, PLATE RONDELLE, PLATE	1	1	1	

B5

6G90010-4060



6G90010-4070

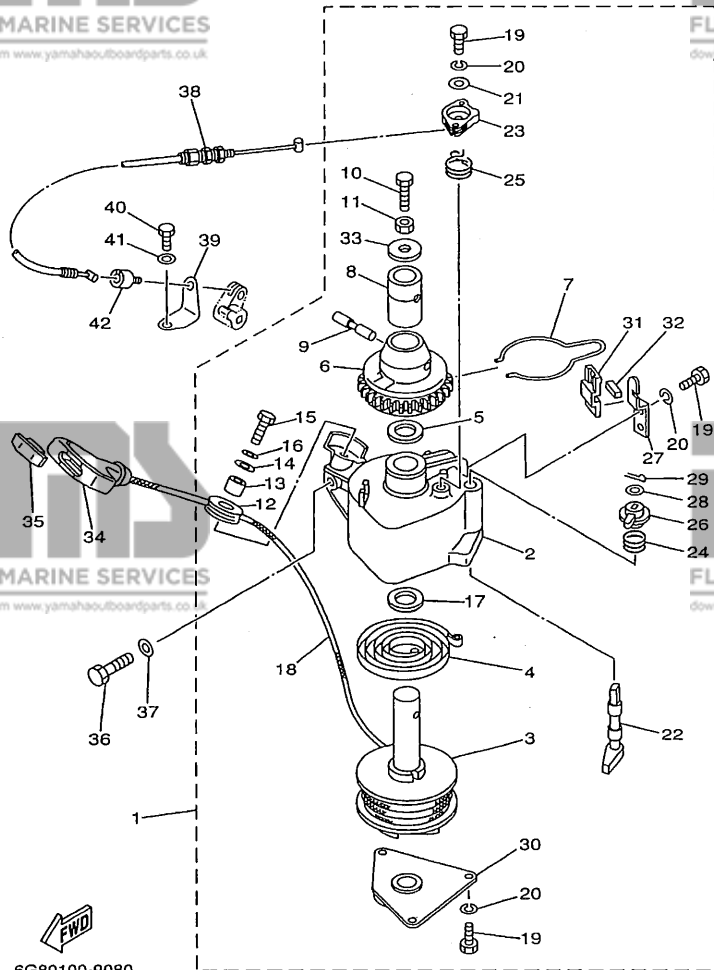
FIG. 7 OIL PAN

VENTILATEUR D'HUILE

REF. NO.	PART NO. NO. PIECES	DESCRIPTION DESCRIPTION	MH	EH	E	REMARKS REMARQUES
1	6G8-11575-00	RELIEF VALVE ASSY SOUPAPE DE RENTREE D'AIR	1	1	1	
2	93210-12M62	.O-RING .JOINT TORIQUE	1	1	1	
3	6G8-15379-00	SEAL, CRANKCASE JOINT SPY DE CARTER DE MOTEUR	1	1	1	
4	6G8-13487-00	GUIDE, OIL HOSE GUIDE DE DURITE A HUILE	1	1	1	
5	97880-05012	SCREW, PAN HEAD VIS, TETE TRONCONIQUE	1	1	1	
6	92990-05600	WASHER, PLATE RONDELLE, PLATE	1	1	1	
7	6G8-15311-03-0D	OIL PAN VENTILATEUR D'HUILE	1	1	1	
8	6G8-15312-A1	GASKET, OIL PAN JOINT DE VENTILATEUR D'HUILE	1	1	1	
9	6G8-45127-00	SEAL JOINT	1	1	1	
10	97013-06010	BOLT BOULON	1	1	1	
11	92903-06100	WASHER, SPRING RONDELLE, GROWER	1	1	1	
12	6G8-13421-00	STRAINER 2 FILTRE 2	1	1	1	
13	6G8-15316-00	DAMPER, ENGINE MOUNT 1 AMORTISSEUR DE SUPPORT	1	1	1	
14	90105-06M33	BOLT, WASHER BASED BOULON, AVEC RONDELLE	9	9	9	
15	6G8-13471-00	PLUG, DRAIN PLOT, VIDANGE	1	1	1	
16	93210-16M64	.O-RING .JOINT TORIQUE	1	1	1	
17	6G8-15362-04	PLUG, OIL LEVEL PLOT, NIVEAU D'HUILE	1	1	1	

FIG. 8 STARTER

DEMARREUR



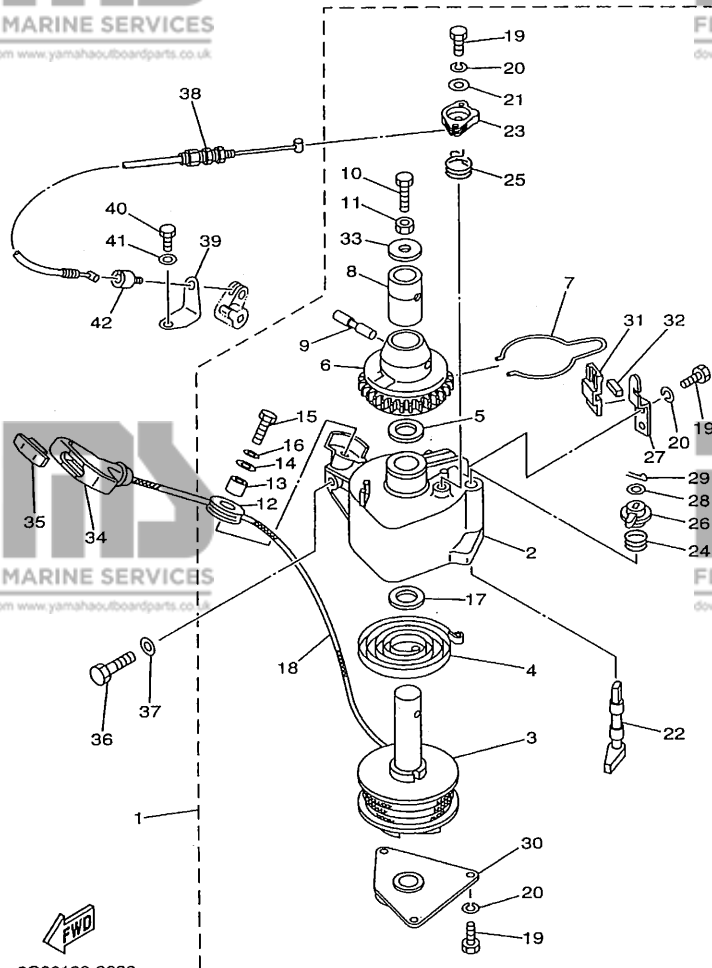
REF. NO.	PART NO. NO. PIECES	DESCRIPTION DESCRIPTION	MT	ET	W	REMARKS REMARQUES
1	6G8-15710-10	STARTER ASSY DEMARREUR COMPLET	1			
2	6G8-15711-00	.CASE, STARTER .CARTER DE DEMARREUR	1			
3	6G8-15714-00	.DRUM, SHEAVE .TAMBOUR, POULIE	1			
4	6G8-15713-00	.SPRING, STARTER .RESSORT DE DEMARREUR	1			
5	6G8-15719-00	.WASHER, THRUST .RONDELLE, DE BUTEE	1			
6	6G8-15723-00	.PULLEY, STARTER .POULIE DE DEMARREUR	1			
7	6G8-15715-00	.SPRING, FRICTION .RESSORT, PLAQUE D'ENTRAINEMT	1			
8	6G8-15754-00	.BUSH 2 .BAGUE 2	1			
9	6G8-15727-00	.PIN .AXE	1			
10	6G8-15768-00	.BOLT BOULON	1			
11	95333-08700	.NUT .ECROU	1			
12	6F5-15752-00	.ROLLER, WIRE .GALET, CABLE	1			
13	663-15753-00	.BUSH .CHARBON	1			
14	663-15791-00	.WASHER, LOCK .RONDELLE-FREIN	1			
15	97305-06025	.BOLT BOULON	1			
16	92903-06100	.WASHER, SPRING .RONDELLE, GROWER	1			
17	6G8-15739-00	.WASHER, THRUST .RONDELLE, DE BUTEE	1			
18	*	.WIRE (L:1850) .CABLE (L:1850)	1			
19	97322-05012	.BOLT BOULON	6			
20	92902-05100	.WASHER, SPRING .RONDELLE, GROWER	6			
21	6G8-15726-00	.WASHER, FLAT .RONDELLE, PLATE	1			
22	6G8-15794-00	.STOPPER .BUTEE	1			
23	6G8-15746-00	.ARM .BRAS	1			
24	6G8-15767-00	.SPRING .RESSORT	1			
25	6G8-15734-00	.SPRING, RETURN .RESSORT, RAPPEL	1			

* CUT FROM 50M ROLLS, PART NO. 90890-44373, CUTTING LENGTH 1.85M
* A PRELEVER SUR BOBINE 50M , REFERENCE 90890-44373, LONGUEUR DE COUPE 1.85M

6G80100-9080

FIG. 8 STARTER

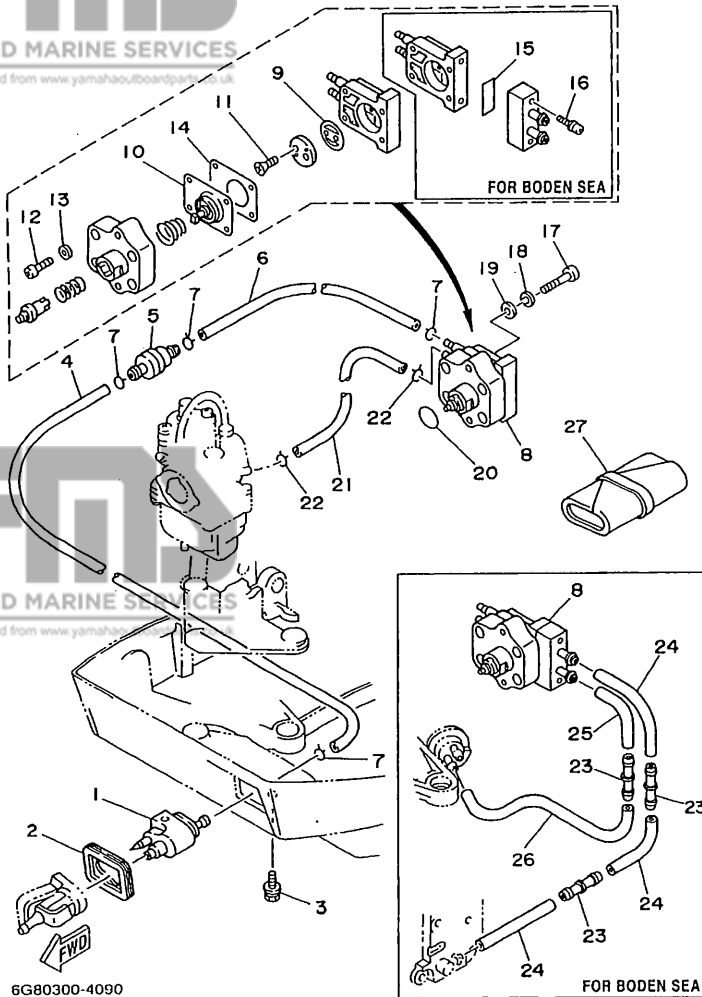
DEMARREUR



REF. NO.	PART NO.	DESCRIPTION	M/H	E/H	U	REMARKS	REMARQUES
26	6G8-15747-00	.LINK .BIELLETTTE	1				
27	6G8-15716-00	.PLATE, DRIVE .PLAQUE, ENTRAINEMENT	1				
28	92902-06200	.WASHER .RONDELLE	1				
29	91490-16012	.PIN, COTTER .GOUPILLE, FENDUE	1				
30	6G8-15712-00	.COVER, STARTER CASE .COUVERCLE, CARTER DEMARREUR	1				
31	6G8-15779-00	.COVER .COUVERCLE	1				
32	6G8-15789-00	.DAMPER .AMORTISSEUR	1				
33	6G8-15742-00	.WASHER, DRIVE PAWL .RONDELLE, CLIQUET	1				
34	6G1-15755-00	HANDLE, STARTER POIGNEE, DE DEMARREUR	1				
35	689-15779-01	COVER COUVERCLE	1				
36	97075-08030	BOLT BOULON	3				
37	92995-08600	WASHER RONDELLE	3				
38	6G8-15770-00	CABLE COMP., STARTER STOP CABLE, BUTEE DE DEMAR	1				
39	6G8-15771-00	STAY 1 SUPPORT 1	1				
40	97095-06012	BOLT BOULON	1				
41	92995-06600	WASHER RONDELLE	1				
42	6G8-15772-00	STAY 2 SUPPORT 2	1				



6G80100-9080



6G80300-4090

FIG. 9 FUEL CARBURANT

REF. NO.	PART NO. NO. PIECES	DESCRIPTION DESCRIPTION	MH	ET	U	REMARKS REMARQUES
1	6G1-24304-02	FUEL PIPE JOINT COMP. 1 DURITE RACCORD. A ESSENCE	1	1	1	
2	6G8-24329-00	SEAL JOINT	1	1	1	
3	97595-06520	BOLT, WITH WASHER VIS HEXAGONAL AVC RONDELLE	1	1	1	
4	6G8-24311-00	PIPE, FUEL 1 DURITE A ESSENCE	1	1	1	
5	646-24251-02	STRAINER 1 FILTRE 1	1	1	1	
6	90445-09065	HOSE DURITE	1	1	1	
7	90467-08004	CLIP JONC	4	4	4	
8	6G8-24410-03	FUEL PUMP ASSY POMPE A ESSENCE	1	1	1	UR STD
	6G8-24410-E0	FUEL PUMP ASSY POMPE A ESSENCE	1	1	1	UR FOR BODEN SEA
9	6G8-24421-00	.VALVE, CHECK SOUPEPE, RETENUE	1	1	1	
10	6G8-24411-02	.DIAPHRAGM DIAPHRAGME	1	1	1	
11	98780-03008	.SCREW, FLAT HEAD .VIS, TETE PLATE	2	2	2	
12	98503-04014	.SCREW, PAN HEAD .VIS, TETE TRONCONIQUE	4	4	4	
13	92903-04600	.WASHER .RONDELLE	4	4	4	
14	6G8-24471-00	.DIAPHRAGM DIAPHRAGME	1	1	1	
15	6G8-24329-00	.SEAL .JOINT	1	1	1	FOR BODEN SEA
16	677-24444-00	.SCREW .VIS	2	2	2	FOR BODEN SEA
17	97880-06025	SCREW, PAN HEAD VIS, TETE TRONCONIQUE	2	2	2	
18	92990-06100	WASHER, SPRING RONDELLE, GROWER	2	2	2	
19	92990-06600	WASHER, PLATE RONDELLE, PLATE	2	2	2	
20	93210-20M65	O-RING JOINT TORIQUE	1	1	1	
21	90445-09105	HOSE DURITE	1	1	1	
22	90467-08004	CLIP JONC	2	2	2	
23	6G8-24376-00	PIPE, JOINT 1 DURITE 1, RACCORD. A ESSENCE	3	3	3	FOR BODEN SEA
24	90445-09065	HOSE DURITE	3	3	3	FOR BODEN SEA
25	6H4-24312-00	PIPE 2 DURITE 2	1	1	1	FOR BODEN SEA
26	90445-09M00	HOSE DURITE	1	1	1	FOR BODEN SEA

C2

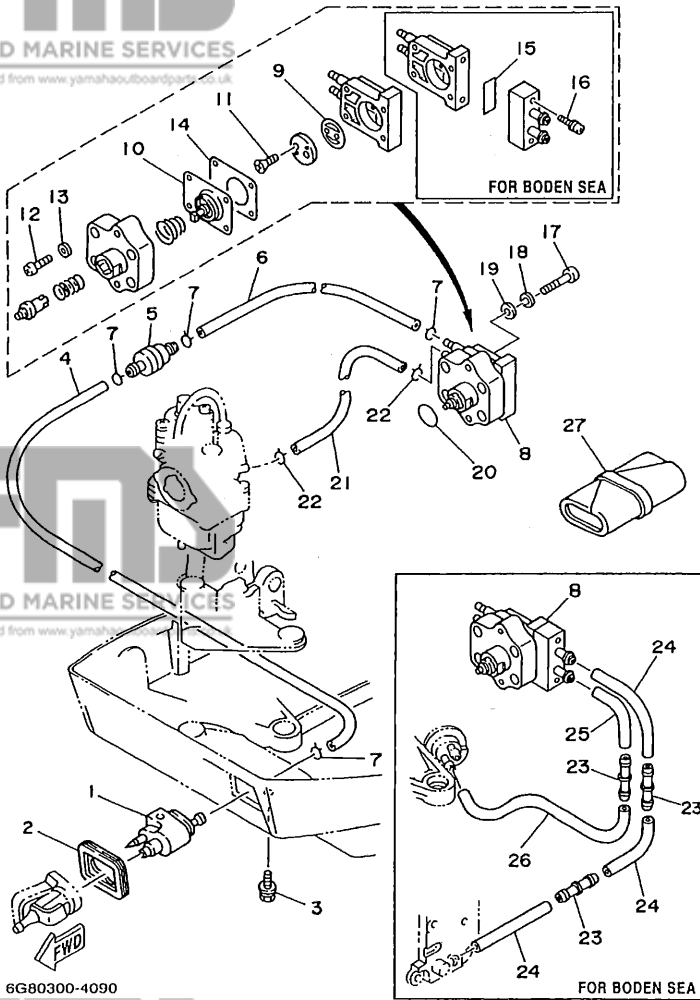
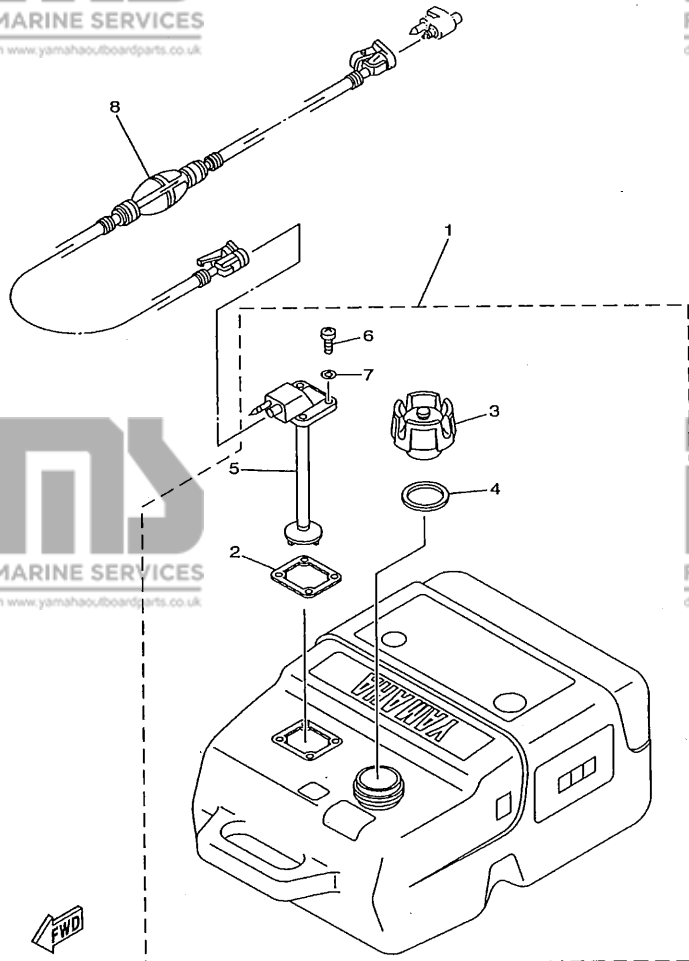


FIG. 9 FUEL CARBURANT

REF. NO.	PART NO. NO. PIECES	DESCRIPTION DESCRIPTION	MH	EH	E	REMARKS REMARQUES
27	676-W2810-01	TOOL KIT TROUSSE A OUTILS	1	1	1	

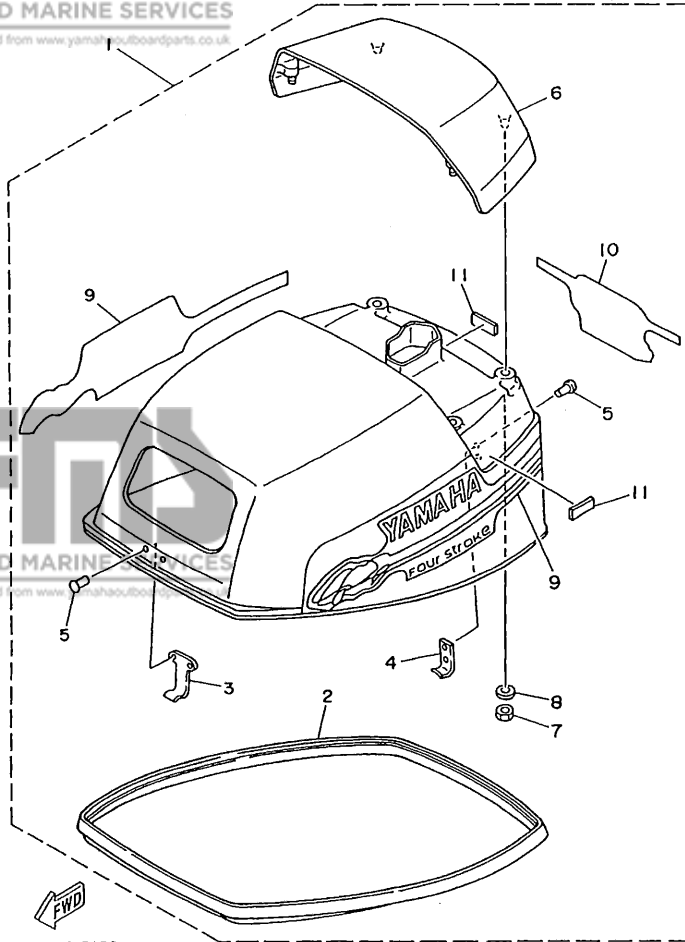


6J8NV-9080

FIG. 10 FUEL TANK

RESERVOIR A CARBURANT

REF. NO.	PART NO. NO. PIECES	DESCRIPTION DESCRIPTION	MH	EH	U	REMARKS REMARQUES
1	6YK-24201-01	FUEL TANK ASSY	1	1	1	UR PLASTIC, 25L, "SCEPTER" UR FOR BODEN SEA
	6YK-24201-10	RESERVOIR A ESSENCE (ENS.) FUEL TANK ASSY (25L) RESERVOIR A ESSENCE (ENS.) 25L				
2	6YL-24268-01	.GASKET, FUEL METER .JOINT, JAUGE A CARBURANT	1	1	1	UR WITH INDICATOR
3	6YK-24610-00	.CAP ASSY .BOUCHON	1	1	1	
	6YK-24610-10	.CAP ASSY .BOUCHON	1	1	1	UR FOR BODEN SEA WITHOUT INDICATOR
4	6YL-24641-00	.GASKET, CAP 1 .JOINT 1, BOUCHON	1	1	1	
5	6YK-24260-01	.FUEL METER ASSY .INDICATEUR DE CARBURANT	1	1	1	
6	90157-05M16	.SCREW, PAN HEAD .VIS, TETE TRONCONIQUE	4	4	4	
7	6YL-24329-00	.SEAL .JOINT	4	4	4	
8	6YL-24306-50	FUEL PIPE COMP. 1 DURITE A ESSENCE 1	1	1	1	

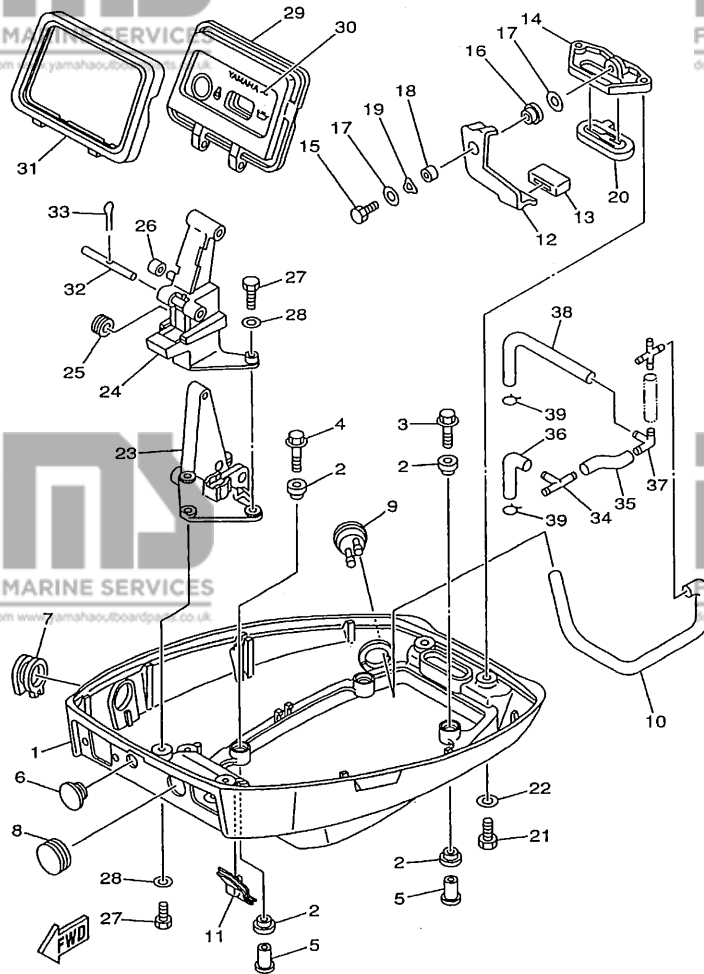


6G80100-5120

FIG. 11 TOP COWLING

CAPOT SUPERIEUR

REF. NO.	PART NO. NO. PIECES	DESCRIPTION DESCRIPTION	M/H	ET	W	REMARKS REMARQUES
1	6G8-42610-51-4D	TOP COWLING ASSY CAPOT (ENS.)	1	1	1	
2	6G8-42615-01	.SEAL .JOINT	1	1	1	
3	6G8-42651-00	.HOOK .CROCHET	1	1	1	
4	6G8-42652-00	.HOOK .CROCHET	1	1	1	
5	90266-04M04	.RIVET .RIVET	4	4	4	
6	6G8-42613-01-4D	.MOLDING, AIR DUCT .MANCHON A AIR	1	1	1	
7	95303-06700	.NUT .ECROU	4	4	4	
8	92903-06200	.WASHER, PLAIN .RONDELLE, PLATE	4	4	4	
9	6G9-W0070-13	.GRAPHIC SET .JEU DIEMBLEMES	1	1	1	
10	6G8-42678-51	.GRAPHIC, REAR .ADHESIF, ARRIERE	1	1	1	
11	6G8-42682-00	.DAMPER .AMORTISSEUR	3	3	3	



6G80100-9130

FIG. 12 BOTTOM COWLING

CAPOT INFERIEUR

REF. NO.	PART NO. NO. PIECES	DESCRIPTION DESCRIPTION	MH	EH	U	REMARKS REMARQUES
1	6G8-42711-02-4D	COWLING, BOTTOM CUVETTE	1	1	1	
2	90480-09M35	GROMMET PASSE-FIL	8	8	8	
3	90119-06M56	BOLT, WITH WASHER BOULON, AVEC RONDELLE	2	2	2	
4	90119-06M55	BOLT, WITH WASHER BOULON, AVEC RONDELLE	2	2	2	
5	90387-06M15	COLLAR COLLERETTE	4	4	4	
6	90480-17165	GROMMET PASSE-FIL			1	
7	6G8-42724-00	GROMMET PASSE-FIL	1	1	1	
8	6G8-42724-40	GROMMET PASSE-FIL		1		UR
	6G8-42725-10	GROMMET PASSE-FIL	1			UR
9	6G8-44391-00	NIPPLE, HOSE RACCORD D'ESSENCE	1	1	1	
10	90445-09163	HOSE DURITE	1	1	1	FOR STD
11	6G8-42727-00	GROMMET PASSE-FIL	1	1	1	
12	6G8-42815-00	LEVER, CLAMP LEVIER, PRESSE	1	1	1	
13	6G8-42831-00	BUSHING POULIE	1	1	1	
14	6G8-42811-00-94	STAY SUPPORT	1	1	1	
15	97013-06016	BOLT BOULON	1	1	1	
16	90386-08M49	BUSH DOUILLE	1	1	1	
17	90201-06M31	WASHER, PLATE RONDELLE, PLATE	2	2	2	
18	90387-06M72	COLLAR COLLERETTE	1	1	1	
19	90206-08M13	WASHER, WAVE RONDELLE, ONDULEE	1	1	1	
20	6G8-42748-00	GROMMET PASSE-FIL	1	1	1	
21	97095-06016	BOLT BOULON	2	2	2	
22	92995-06600	WASHER RONDELLE	2	2	2	
23	6G8-42738-00-94	PLATE, FITTING ETRIER	1	1	1	
24	6G8-42719-00-94	PANEL, FRONT LOWER PANNEAU, AVANT INFERIEUR	1	1	1	
25	90480-19031	GROMMET PASSE-FIL	1	1	1	
26	90445-05ME6	HOSE DURITE	1	1	1	

FIG. 12 BOTTOM COWLING

CAPOT INFERIEUR

REF. NO.	PART NO. NO. PIECES	DESCRIPTION DESCRIPTION	MH	EH	U	REMARKS REMARQUES
27	97095-06016	BOLT BOULON	4	4	4	
28	92995-06600	WASHER RONDELLE	4	4	4	
29	6G8-42614-02	PANEL, FRONT UPPER PANNEAU, AVANT SUPERIEUR	1			UR
	6G8-42614-12	PANEL, FRONT UPPER PANNEAU, AVANT SUPERIEUR		1	1	UR
30	6G8-42677-00	GRAPHIC, FRONT ADHESIF, AVANT	1			UR
	6G8-42677-10	GRAPHIC, FRONT ADHESIF, AVANT		1		UR
	6G8-42677-20	GRAPHIC, FRONT ADHESIF, AVANT			1	UR
31	6G8-42629-02	SEAL JOINT	1	1	1	
32	6G8-42755-00	HINGE, COWLING PENTURE	1	1	1	
33	91490-16010	PIN, COTTER GOUPILLE, FENDUE	1	1	1	
34	6G8-24379-00	PIPE, JOINT 4 DURITE RACCORDEMENT	1	1	1	
35	90445-10M78	HOSE DURITE	1	1	1	
36	6G8-12476-00	PIPE 6 DURITE 6	1	1	1	
37	6G8-24378-01	PIPE, JOINT 3 DURITE, RACCORDEMENT 3	1	1	1	
38	6G8-12485-00	PIPE 5 DURITE 5	1	1	1	
39	90467-10M04	CLIP JONC	2	2	2	

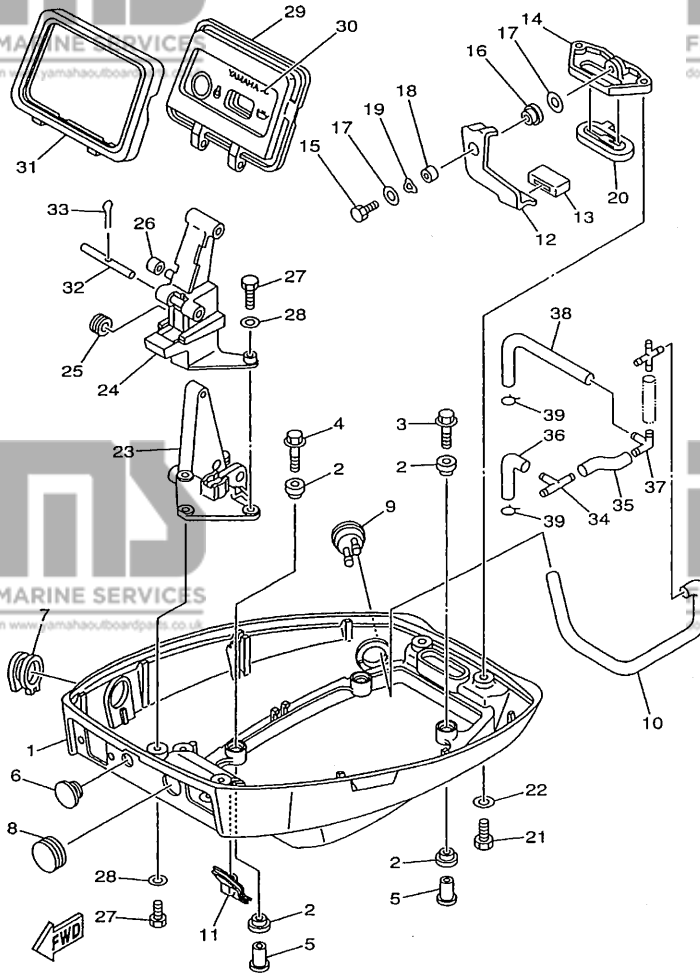
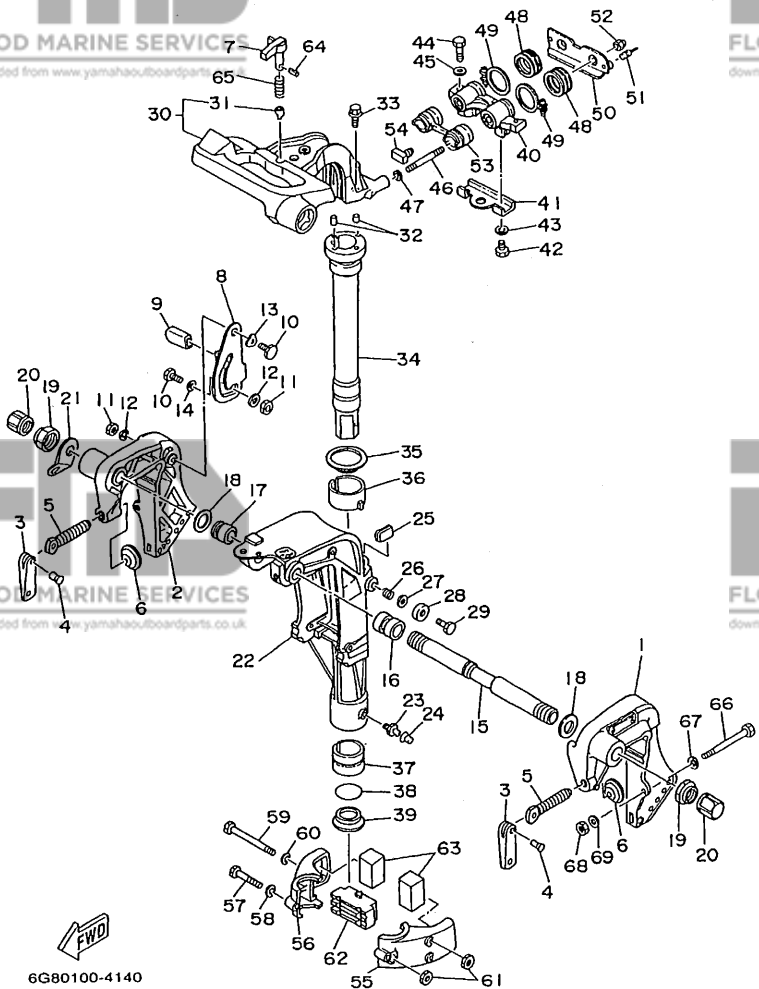


FIG. 13 BRACKET 1 SUPPORT 1

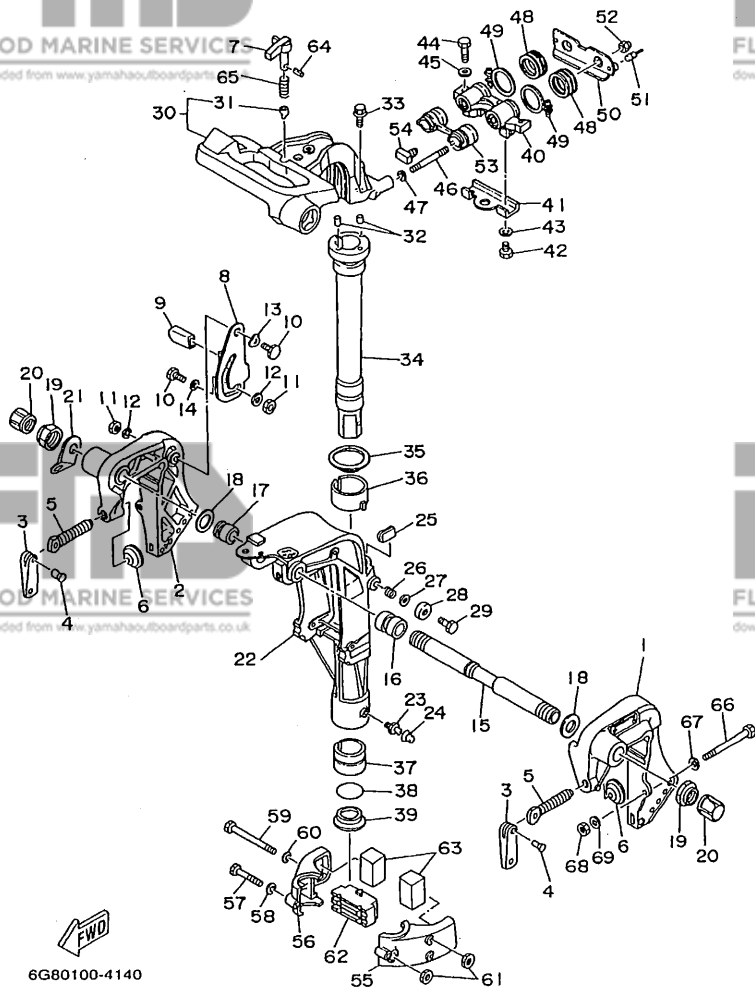
REF. NO.	PART NO. NO. PIECES	DESCRIPTION DESCRIPTION	M/H	EH	U	REMARKS REMARQUES
1	6G8-43111-04-4D	BRACKET, CLAMP PRESSE	1	1	1	
2	6G8-43112-04-4D	BRACKET, CLAMP PRESSE	1	1	1	
3	6E0-43118-01	HANDLE, TRANSOM CLAMP POIGNEE DE VIS DE PRESSE	2	2	2	
4	90243-04M01	PIN GOUPILLE	2	2	2	
5	6E7-43116-00	SCREW, TRANSOM CLAMP VIS DE PRESSE	2	2	2	
6	648-43114-01	PAD, TRANSOM CLAMP RONDELLE D'APPUI	2	2	2	
7	6G8-42561-00	KNOB, STEERING LOCK BOUTON	1	1	1	
8	6G8-43181-00	LEVER, TILT STOP LEVIER, VERROUILLAGE RELEVAGE	1	1	1	
9	682-43318-01	COVER CAPUCHON	1	1	1	
10	90109-06M25	BOLT BOULON	2	2	2	
11	95680-06100	NUT, U ECROU, U	2	2	2	
12	92990-06600	WASHER, PLATE RONDELLE, PLATE	2	2	2	
13	90206-10M15	WASHER, WAVE RONDELLE, ONDULEE	1	1	1	
14	682-43339-01	WASHER RONDELLE	1	1	1	
15	6G8-43131-00	BOLT, CLAMP BRACKET BOULON, PRESSE	1	1	1	
16	90386-22M92	BUSH DOUILLE	1	1	1	
17	90386-22M93	BUSH DOUILLE	1	1	1	
18	90201-22M03	WASHER, PLATE RONDELLE, PLATE	2	2	2	
19	90185-22043	NUT, SELF-LOCKING ECROU, AUTO-BLOCANT	2	2	2	
20	6G5-43145-00	CAP, CLAMP BRACKET CAPUCHON, PRESSE	2	2	2	
21	6J8-43113-01	PLATE, CLAMP BRACKET PLAQUETTE, PRESSE	1	1	1	
22	6G9-43311-04-4D	BRACKET, SWIVEL SUPPORT, PIVOT			1	UR S
	6G8-43311-15-4D	BRACKET, SWIVEL SUPPORT, PIVOT	1	1	1	UR L/X
23	93700-06M03	NIPPLE, GREASE GRAISSEUR	1	1	1	
24	663-45119-00	CAP, GREASE NIPPLE CAPUCHON, GRAISSEUR	1	1	1	AP
25	6G8-42528-00	PLATE, FRICTION PLAQUE, FRICTION	1	1	1	
26	90501-18M00	SPRING, COMPRESSION RESSORT, COMPRESSION	1	1	1	



6G80100-4140

FIG. 13 BRACKET 1 SUPPORT 1

REF. NO.	PART NO. NO. PIECES	DESCRIPTION DESCRIPTION	MH	EH	W	REMARKS REMARQUES
27	90201-06M31	WASHER, PLATE RONDELLE, PLATE	1	1	1	
28	6G8-43373-00	SEAL, DAMPER JOINT	1	1	1	
29	97095-06025	BOLT BOULON	1	1	1	
30	6G8-42511-02-4D	BRACKET, STEERING CADRE, DIRECTION	1	1	1	
31	6G8-42534-00	.PIN, DOWEL .GOUILLE	1	1	1	
32	93605-15065	PIN, DOWEL GOUJON	2	2	2	
33	90119-06M06	BOLT, WITH WASHER BOULON, AVEC RONDELLE	2	2	2	
34	6G9-42521-00-94 6G8-42521-10-94	SHAFT, STEERING PIVOT AXE, PIVOT DE DIRECTION	1	1	1	UR S UR L/X
35	90209-45M09	WASHER RONDELLE	1	1	1	
36	6G8-42537-00	BUSHING, PIVOT SHAFT COUSSINET	1	1	1	
37	90386-37M47	BUSH DOUILLE	1	1	1	
38	93210-37M67	O-RING JOINT TORIQUE	1	1	1	
39	90386-37M48	BUSH DOUILLE	1	1	1	
40	6G8-44517-00-94	MOUNT RUBBER SILENT-BLOC	1	1	1	
41	6G8-44526-00	PLATE PLAQUE	1	1	1	
42	97095-06012	BOLT BOULON	2	2	2	
43	92995-06600	WASHER RONDELLE	2	2	2	
44	97095-08030	BOLT BOULON	2	2	2	
45	92995-08600	WASHER RONDELLE	2	2	2	
46	90116-08M28	BOLT, STUD GOUJON	2	2	2	
47	90201-08M12	WASHER, PLATE RONDELLE, PLATE	2	2	2	
48	6G8-44522-00	SEAL JOINT	2	2	2	
49	90460-38M06	CLAMP, HOSE BRIDE, DE DURITE	2	2	2	
50	6G8-44518-00	BRACKET COMP. SUPPORT COMPLET	1	1	1	
51	6G8-44583-00	DAMPER, UPPER MOUNT RUBBER COUVERCLE, SUSPENSION INFERIEUR	2	2	2	
52	90185-08057	NUT, SELF-LOCKING ECROU, AUTO-BLOCANT	2	2	2	

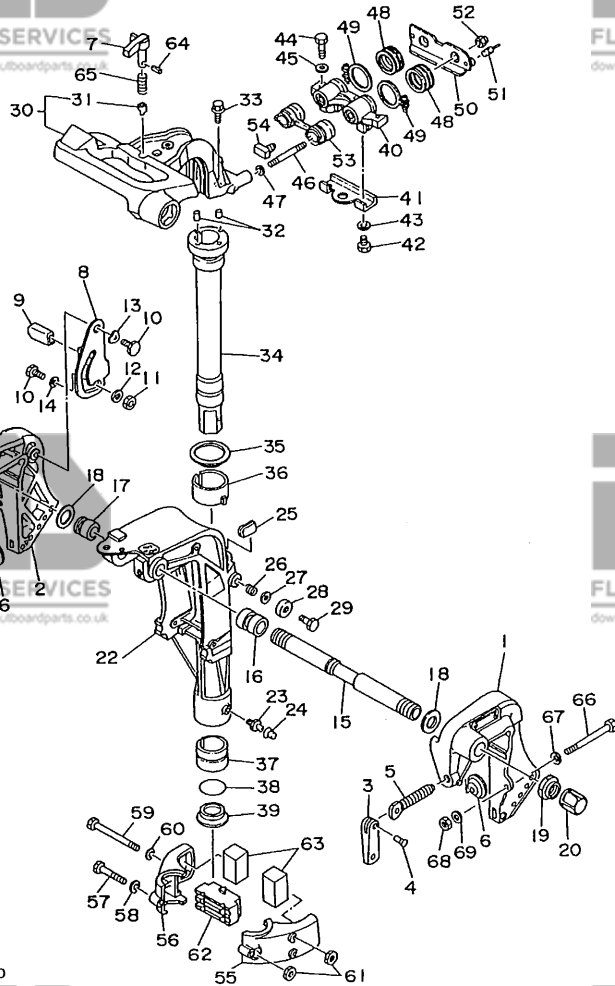


6G80100-4140

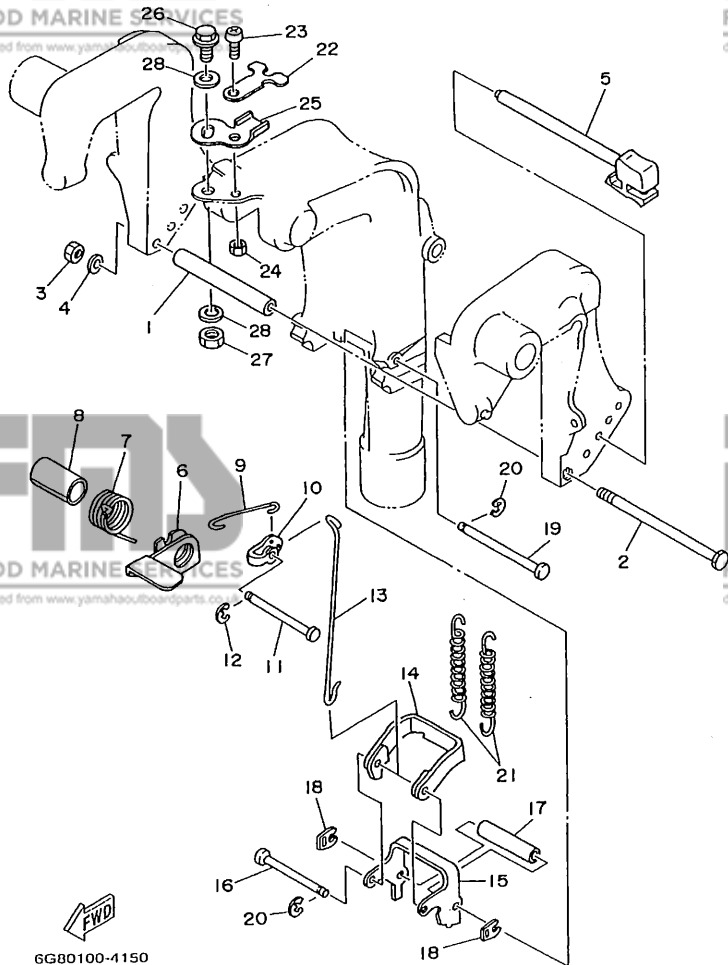
FIG. 13 BRACKET 1

SUPPORT 1

REF. NO.	PART NO.	DESCRIPTION	MH	EH	W	REMARKS
53	6G8-44521-00	SEAL JOINT	1	1	1	
54	6G8-44532-00	STOPPER, UPPER MOUNT PLAQUETTE	1	1	1	
55	6G8-44551-01-4D	HOUSING, LOWER MOUNT RUBBER BOITIER, SILENT-BLOC INFERIEUR	1	1	1	
56	6G8-44552-02-4D	HOUSING, LOWER MOUNT RUBBER BOITIER, SILENT-BLOC INFERIEUR	1	1	1	
57	97095-06045	BOLT BOULON	1	1	1	
58	92995-06600	WASHER RONDELLE	1	1	1	
59	97095-06095	BOLT BOULON	2	2	2	
60	92995-06600	WASHER RONDELLE	2	2	2	
61	95380-06700	NUT ECROU	3	3	3	
62	6G8-44557-00	MOUNT DAMPER, LOWER FRONT SILENT-BLOC, INFERIEUR AVANT	1	1	1	
63	682-44555-00	MOUNT DAMPER, LOWER SIDE SILENT-BLOC, INFERIEUR LATERAL	2	2	2	
64	91690-30012	PIN, SPRING GOUPILLE, ELASTIQUE	1	1	1	
65	90501-10071	SPRING, COMPRESSION RESSORT, COMPRESSION	1	1	1	
66	90101-08M88	BOLT BOULON	2	2	2	
67	92995-08600	WASHER RONDELLE	2	2	2	
68	90185-08057	NUT, SELF-LOCKING ECROU, AUTO-BLOCANT	2	2	2	
69	90201-08MA4	WASHER, PLATE RONDELLE, PLATE	2	2	2	



6G80100-4140



6G80100-4150

FIG. 14 BRACKET 2

SUPPORT 2

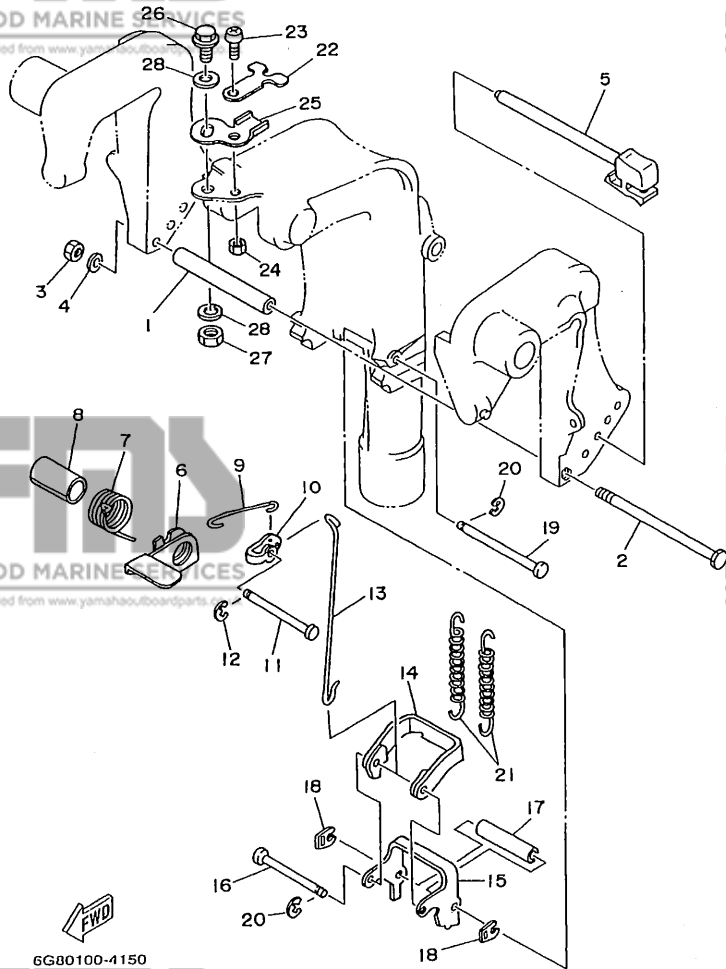
REF. NO.	PART NO. NO. PIECES	DESCRIPTION DESCRIPTION	MH	EH	E	REMARKS REMARQUES
1	90387-06M09	COLLAR COLLERETTE	1	1	1	
2	97095-06135	BOLT BOULON	1	1	1	
3	95380-06700	NUT ECROU	1	1	1	
4	92990-06600	WASHER, PLATE RONDELLE, PLATE	1	1	1	
5	6G8-43160-01	TILT ROD ASSY BROCHE D'INCLINAISON, (ENS.)	1	1	1	
6	6G8-43631-03	LEVER, TILT LEVIER, INCLINAISON	1	1	1	
7	90508-18M33	SPRING, TORSION RESSORT, TORSION	1	1	1	
8	90386-20M94	BUSH DOUILLE	1	1	1	
9	6G8-43616-00	ROD, TILT LOCK TIGE	1	1	1	
10	682-43641-00	LEVER, TILT LEVIER, INCLINAISON	1	1	1	
11	90249-06M20	PIN GOUPILLE	1	1	1	
12	93430-05027	CIRCLIP CIRCLIP, TYPE S	1	1	1	
13	6G8-43617-00	ROD, TILT LOCK TIGE	1	1	1	
14	682-43614-00	PLATE, TILT LOCK ETRIER, VERROUILLAGE MARCHE AR	1	1	1	
15	682-43615-01	PLATE, TILT LOCK ETRIER, VERROUILLAGE MARCHE AR	1	1	1	
16	682-43611-01	SHAFT, TILT LOCK AXE, VERROUILLAGE MARCHE AR	1	1	1	
17	90387-06M20	COLLAR COLLERETTE	1	1	1	
18	682-43673-00	WASHER 1 RONDELLE	2	2	2	WITHOUT SHALLOW WATER DRIVE
19	682-43659-00	SHAFT, REVERSE LOCK AXE, VERROUILLAGE MARCHE AR	1	1	1	
20	93430-05027	CIRCLIP CIRCLIP, TYPE S	2	2	2	
21	90506-29M16	SPRING, TENSION RESSORT, TENSION	2	2	2	
22	6G8-43319-03-94	PLATE PLAQUE	1	1	1	
23	92580-06016	SCREW VIS, TETE TRONCONIQUE	1	1	1	
24	95380-06600	NUT ECROU	1	1	1	
25	6G8-42512-02-94	PLATE, CONTROL PLAQUE	1	1	1	
26	97095-10020	BOLT BOULON	1	1	1	
27	95380-10700	NUT ECROU	1	1	1	

D4

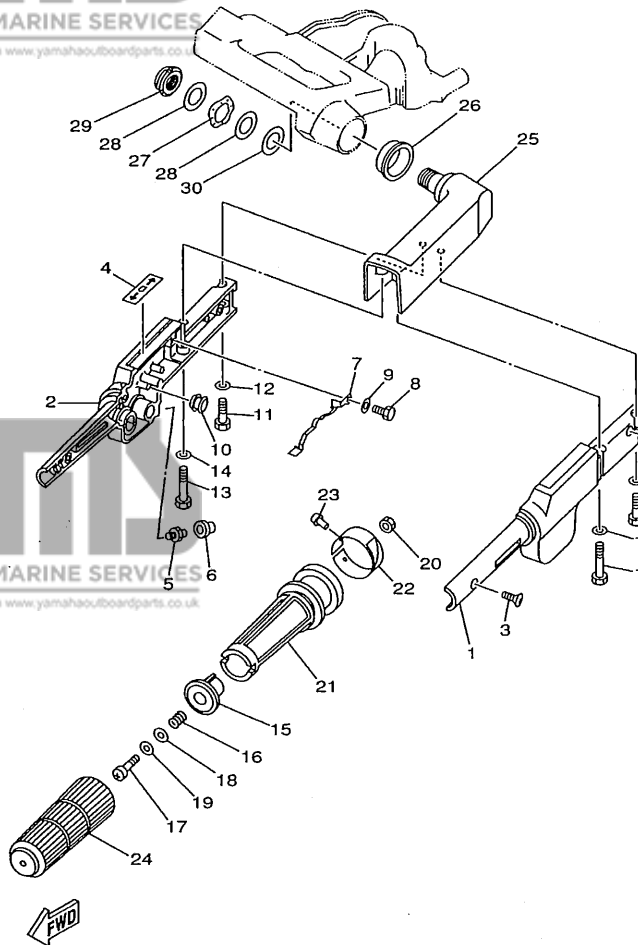
FIG. 14 BRACKET 2

SUPPORT 2

REF. NO.	PART NO. NO. PIECES	DESCRIPTION DESCRIPTION	MH	EH	W	REMARKS REMARQUES
28	90201-10M76	WASHER, PLATE RONDELLE, PLATE	2	2	2	



6G80100-4150



6G80100-9160

FIG. 15 STEERING

DIRECTION

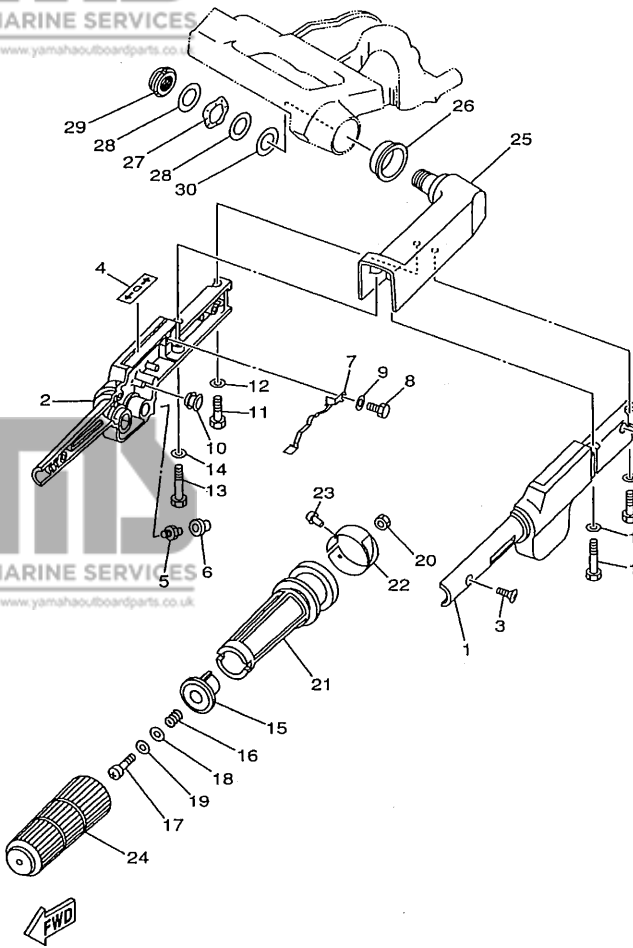
REF. NO.	PART NO. NO. PIECES	DESCRIPTION DESCRIPTION	MH	EH	U	REMARKS REMARQUES
1	6G8-42111-01-4D	HANDLE, STEERING POIGNEE	1	1		
2	6G8-42112-02-4D	HANDLE, STEERING POIGNEE	1	1		
3	98780-05016	SCREW, FLAT HEAD VIS, TETE PLATE	2	2		
4	6G8-44191-00	INDICATOR, SHIFT ETIQUETTE, EMBRAYAGE	1	1		
5	93700-06M03	NIPPLE, GREASE GRAISSEUR	1	1		
6	663-45119-00	CAP, GREASE NIPPLE CAPUCHON, GRAISSEUR	1	1		AP
7	6G8-42147-01	SPRING RESSORT	1	1		
8	97095-05012	BOLT BOULON	1	1		
9	92995-05600	WASHER RONDELLE	1	1		
10	6H4-42725-00	GROMMET PASSE-FIL	1	1		
11	97095-06025	BOLT BOULON	2	2		
12	92995-06600	WASHER RONDELLE	2	2		
13	97095-06040	BOLT BOULON	2	2		
14	92995-06600	WASHER RONDELLE	2	2		
15	6G8-42126-01-94	FRICTION, STEERING HANDLE GRIP CUVETTE, POIGNEE DE DIRECTION	1	1		
16	90501-23M42	SPRING, COMPRESSION RESSORT, COMPRESSION	1	1		
17	97880-06030	SCREW, PAN HEAD VIS, TETE TRONCONIQUE	1	1		
18	90201-06049	WASHER, PLATE RONDELLE, PLATE	1	1		
19	90202-06007	WASHER, PLATE RONDELLE, PLATE	1	1		
20	95380-06700	NUT ECROU	1	1		
21	6G8-42119-00	GRIP, STEERING HANDLE POIGNEE, BARRE FRANCHE	1	1		
22	6G8-42137-01	INDICATOR, THROTTLE INDICATEUR, ACCELERATION	1	1		
23	90269-02M09	RIVET RIVET	1	1		
24	6G8-42177-00	RUBBER, HANDLE CAOUTCHOUC, POIGNEE	1	1		
25	6G8-42113-02-4D	HANDLE, STEERING 3 POIGNEE 3	1	1		
26	90386-33M56	BUSH DOUILLE	1	1		
27	90206-20M14	WASHER, WAVE RONDELLE, ONDULEE	1	1		

D6

FIG. 15 STEERING

DIRECTION

REF. NO.	PART NO. NO. PIECES	DESCRIPTION DESCRIPTION	M/H	ET	u	REMARKS REMARQUES
28	90201-20M00	WASHER, PLATE RONDELLE, PLATE	2	2		
29	90185-20M03	NUT, SELF-LOCKING ECROU, AUTO-BLOCANT	1	1		
30	90202-20M33	WASHER, PLATE RONDELLE, PLATE	1	1		



6G80100-9160

D7

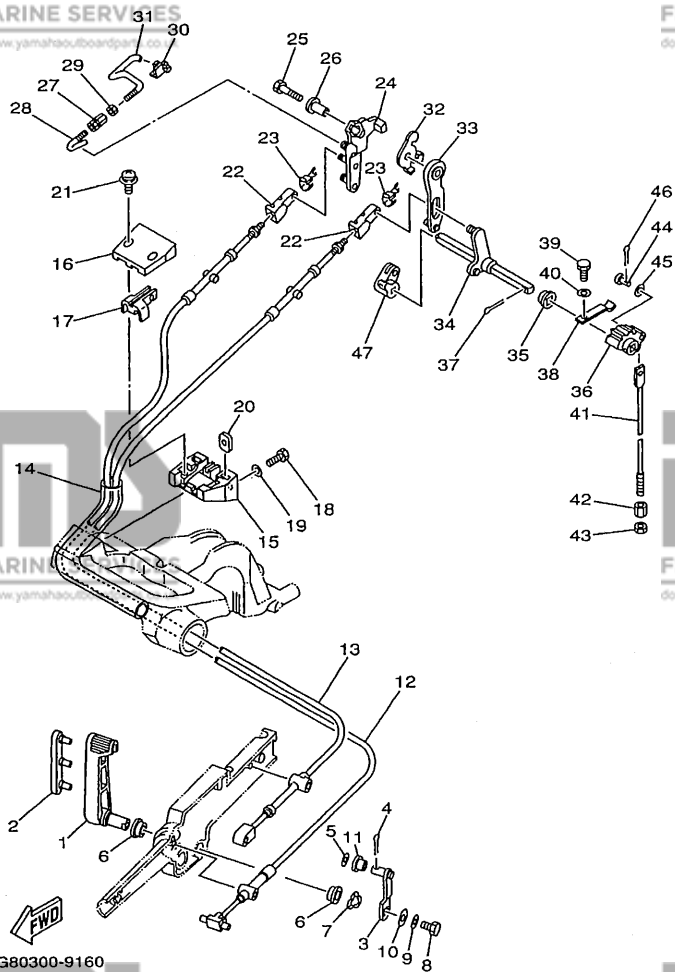


FIG. 16 CONTROL

COMMANDE

REF. NO.	PART NO. NO. PIECES	DESCRIPTION DESCRIPTION	MH	ET	W	REMARKS REMARQUES
1	6G8-44121-00-98	LEVER, SHIFT ROD LEVIER, TIGE D'INVERSION	1	1		
2	6G8-42129-00	BUSHING, RUBBER DOUILLE, CAOUTCHOUC	1	1		
3	6G8-44123-00	ARM, SHIFT ROD BRAS, TIGE D'INVERSION	1	1		
4	91490-16010	PIN, COTTER GOUPILLE, FENDUE	1	1		
5	92990-05200	WASHER, PLAIN RONDELLE, PLATE	1	1		
6	90386-12069	BUSH DOUILLE	2	2		
7	90206-12052	WASHER, WAVE RONDELLE, ONDULEE	1	1		
8	97013-06016	BOLT BOULON	1	1		
9	92903-06600	WASHER, PLATE RONDELLE, PLATE	1	1		
10	90201-06M94	WASHER, PLATE RONDELLE, PLATE	1	1		
11	90386-05M54	BUSH DOUILLE	1	1		
12	6G8-48311-02	CABLE CABLE	1	1		
13	6G8-48321-01	CABLE CABLE	1	1		
14	90445-24M00	HOSE DURITE	1	1		
15	6G8-41661-00-98	BRACKET SUPPORT	1	1		
16	6G8-41662-00-98	BRACKET SUPPORT	1	1		
17	6G8-41663-00	BRACKET 3 SUPPORT 3	1	1		
18	97095-06016	BOLT BOULON	2	2		
19	92995-06600	WASHER RONDELLE	2	2		
20	6G8-41654-00	NUT ECROU	2	2		
21	90159-05M06	SCREW, WITH WASHER VIS, AVEC RONDELLE	2	2		
22	6G8-26363-00	END, CABLE EMBOUT DE CABLE	2	2	2	
23	6G8-26364-00	END, CABLE 2 EMBOUT, DE CABLE	2	2	2	
24	6G8-41212-00	ARM, ACCEL. BRAS	1	1	1	
25	97013-06030	BOLT BOULON	1	1	1	
26	90387-06M58	COLLAR COLLERETTE	1	1	1	
27	6G8-41238-01	JOINT, LINK RACCORD	1	1	1	

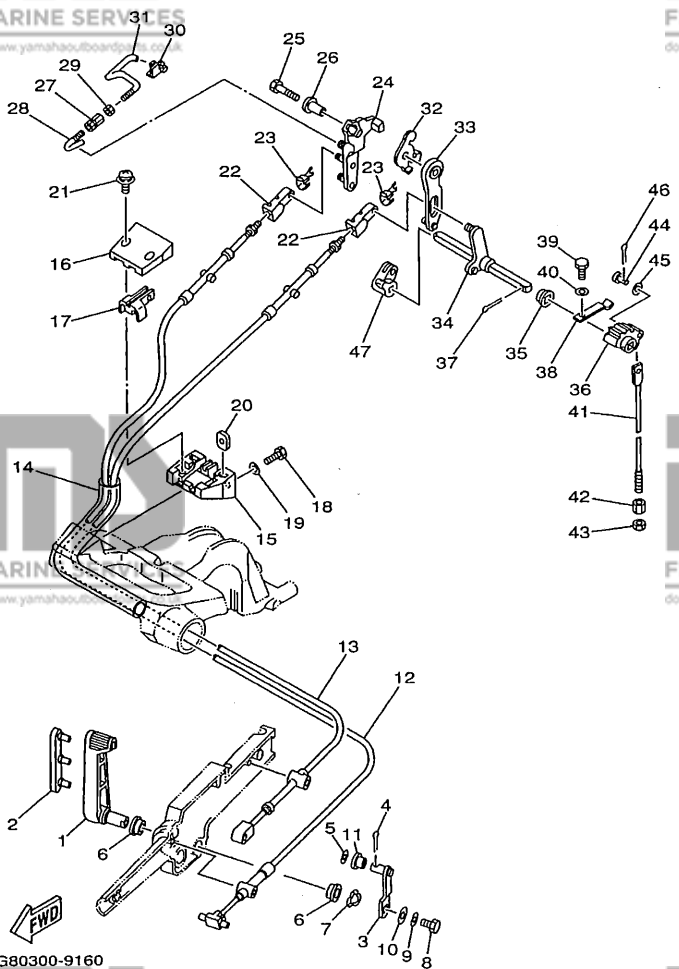
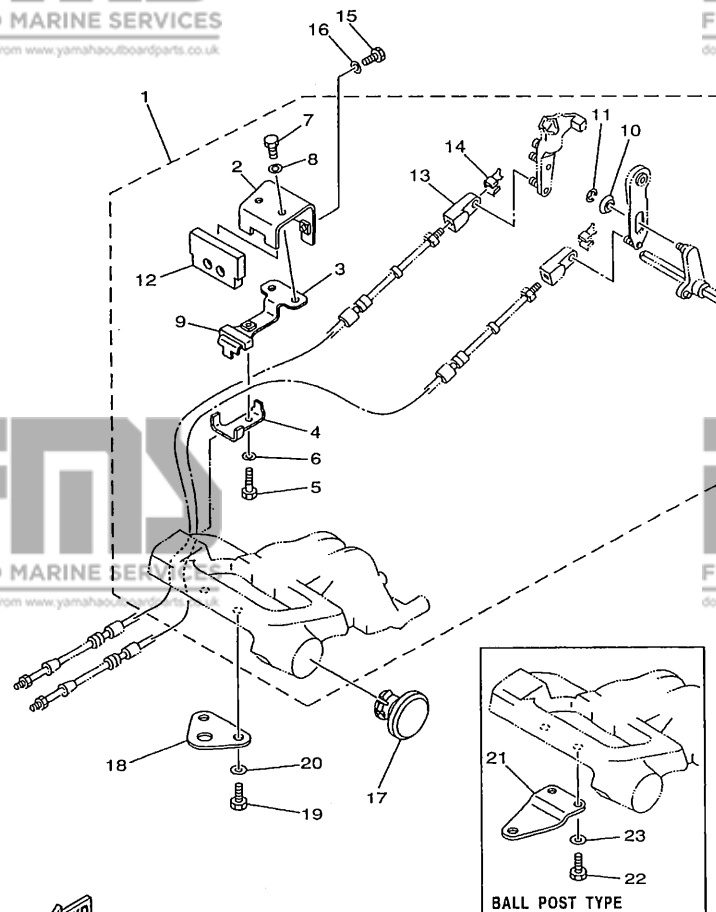


FIG. 16 CONTROL

COMMANDE

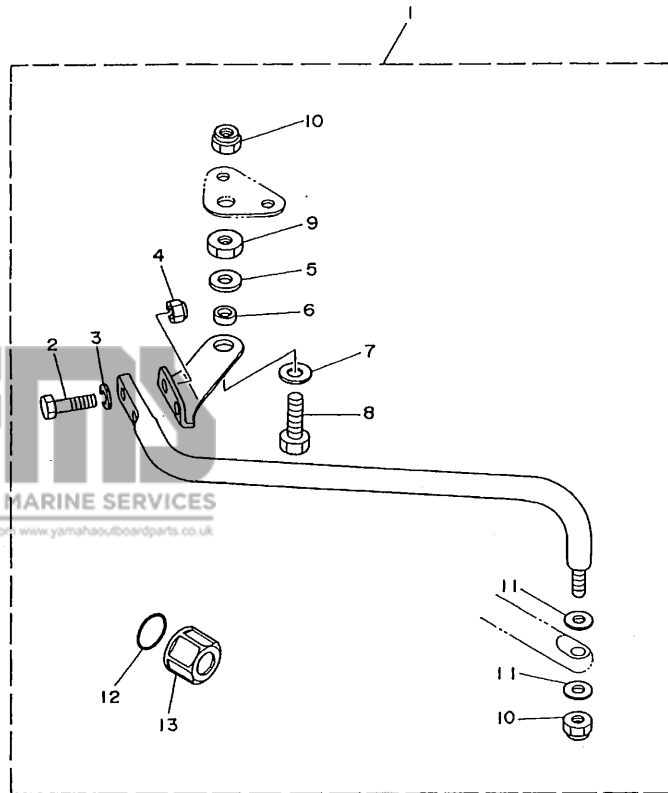
REF. NO.	PART NO. NO. PIECES	DESCRIPTION DESCRIPTION	MH	EH	W	REMARKS REMARQUES
28	6G8-41241-01	ROD, LINK BIELLETTTE	1	1	1	
29	95380-04600	NUT ECROU	1	1	1	
30	6G8-41237-01	JOINT, LINK RACCORD	1	1	1	
31	6G8-41242-01	ROD 2 TIGE 2	1	1	1	
32	6G8-14493-00	STAY 1 SUPPORT 1	1	1	1	
33	6G8-44111-00	HANDLE, GEAR SHIFT POIGNEE, LEVIER D'EMBRAYAGE	1	1	1	
34	6G8-44159-00	HANDLE, GEAR SHIFT POIGNEE, LEVIER D'EMBRAYAGE	1	1	1	
35	682-44132-00	BUSHING COUSSINET	1	1	1	
36	682-44121-01	LEVER, SHIFT ROD LEVIER, TIGE D'INVERSION	1	1	1	
37	91490-25020	PIN, COTTER GOUPILLE, FENDUE	1	1	1	
38	682-44116-01	SPRING RESSORT	1	1	1	
39	97095-06014	BOLT BOULON	1	1	1	
40	92995-06600	WASHER RONDELLE	1	1	1	
41	6G9-44143-00	ROD, SHIFT TIGE D'EMBRAYAGE	1	1	1	UR S
	6G8-44143-10	ROD, SHIFT TIGE D'EMBRAYAGE	1	1	1	UR L/X
42	90170-06015	NUT ECROU	1	1	1	
43	95380-06700	NUT ECROU	1	1	1	
44	91790-05020	PIN, CLEVIS BOULON, A GOUPILLE	1	1	1	
45	92990-05600	WASHER, PLATE RONDELLE, PLATE	1	1	1	
46	91490-16010	PIN, COTTER GOUPILLE, FENDUE	1	1	1	
47	6G8-44125-00	LEVER, SHIFT ROD LEVIER, TIGE D'INVERSION	1	1	1	

FIG. 17 REMOTE CONTROL ATTACHMENT COMMANDE A DISTANCE



REF. NO.	PART NO. NO. PIECES	DESCRIPTION DESCRIPTION	MH	EH	u	REMARKS REMARQUES
1	6G8-48501-03	REMOTE CONT. ATTACHMENT ASSY. COMMANDE A DISTANCE (KIT)			1	AP
2	6G8-48531-51	.BRACKET, REMOTE CONTROL 1 .ETRIER 1, COMMANDE A DISTANCE			1	
3	6G8-48532-50	.BRACKET, REMOTE CONTROL 2 .ETRIER 2, COMMANDE A DISTANCE			1	
4	6G8-48538-50	.CLAMP, CABLE 1 .COLLIER			1	
5	97095-06030	.BOLT .BOULON			1	
6	92995-06600	.WASHER .RONDELLE			1	
7	97095-06012	.BOLT .BOULON			2	
8	92995-06600	.WASHER .RONDELLE			2	
9	6G8-48565-50	.GROMMET .PASSE-FIL			1	
10	90387-06M73	.COLLAR .COLLERETTE			1	
11	93430-04M03	.CIRCLIP .CIRCLIP, TYPE S			1	
12	6G8-48351-51	.SEAL, RUBBER .PASSE-FIL			1	
13	6G8-26363-00	.END, CABLE .EMBOUT DE CABLE			1	
14	6G8-26364-00	.END, CABLE 2 .EMBOUT, DE CABLE			1	
15	97095-06016	BOLT BOULON			2	
16	92995-06600	WASHER RONDELLE			2	
17	6G8-42551-00	GROMMET PASSE-FIL			1	
18	6G8-48511-20	HOOK, STEERING ATTACHE, DIRECTION			1	UR STEERING GUIDE TYPE
19	97095-06016	BOLT BOULON			2	
20	92995-06600	WASHER RONDELLE			2	
21	6G8-48511-10	HOOK, STEERING ATTACHE, DIRECTION			1	AP BALL POST TYPE
22	97095-06016	BOLT BOULON			2	
23	92995-06600	WASHER RONDELLE			2	

FWD
6G90100-9190



6G90100-9200

FIG. 18 STEERING GUIDE

FIXATION DE DIRECTION

REF. NO.	PART NO. NO. PIECES	DESCRIPTION DESCRIPTION	MH	EH	W	REMARKS REMARQUES
1	6G8-61350-00	STEERING GUIDE ATTACHMENT KIT FIXATIONS DE DIRECTION			1	
2	97075-08025	.BOLT .BOULON			2	
3	92995-08600	.WASHER .RONDELLE			2	
4	90185-08057	.NUT, SELF-LOCKING .ECROU, AUTO-BLOCANT			2	
5	90201-10M04	.WASHER, PLATE .RONDELLE, PLATE			1	
6	90387-10M06	.COLLAR .COLLERETTE			1	
7	90201-10M63	.WASHER, PLATE .RONDELLE, PLATE			1	
8	6E5-61355-00	.BOLT .BOULON			1	
9	90170-09M03	.NUT .ECROU			1	
10	90185-09M01	.NUT, SELF-LOCKING .ECROU, AUTO-BLOCANT			2	
11	90201-10M20	.WASHER, PLATE .RONDELLE, PLATE			2	
12	93210-16275	.O-RING JOINT TORIQUE			1	
13	6E5-43145-01	.CAP, CLAMP BRACKET .CAPUCHON, PRESSE			1	

E4

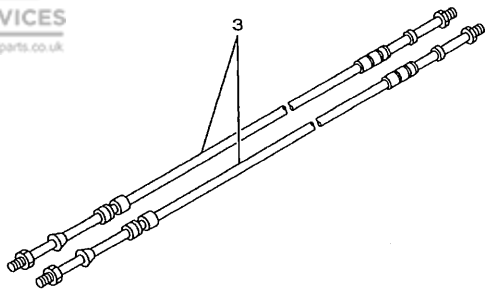
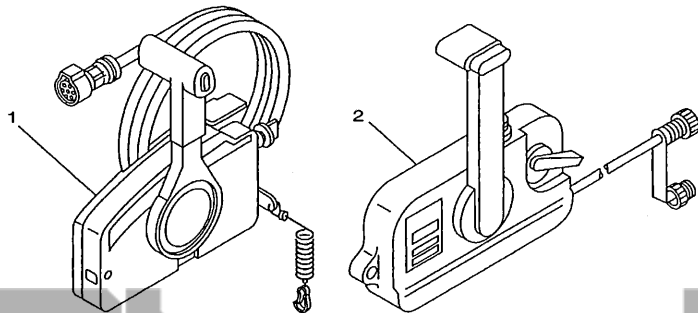
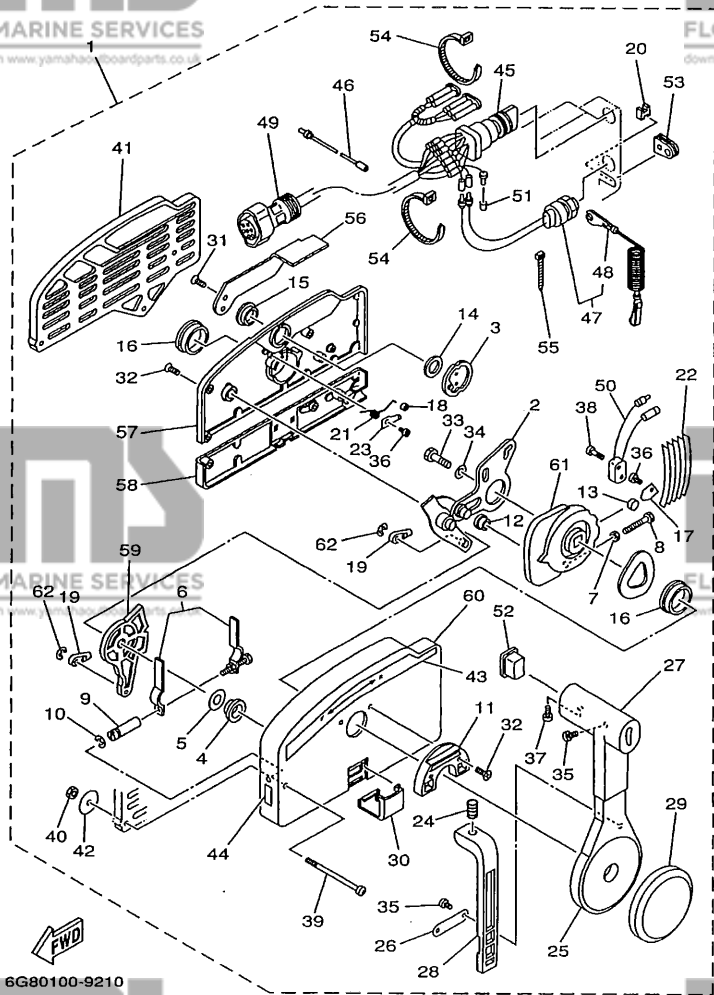


FIG. 19 REMOTE CONTROL BOX BOITIER DE COMMANDE A DISTANCE

REF. NO.	PART NO. NO. PIECES	DESCRIPTION DESCRIPTION	MH	H	W	REMARKS REMARQUES
1	703-48240-12	REMOTE CONTROL ASSY (7P) BOITIER DE COMMANDE A DISTANCE			1	AP
2	701-48101-51	REMOTE CONTROL ASSY BOITIER DE COMMANDE A DISTANCE			1	UR RIGHT
	701-48102-51	REMOTE CONTROL ASSY BOITIER DE COMMANDE A DISTANCE			1	UR LEFT
3	701-48310-40	CABLE, REMOTE CONTROL L=8F CABLE, COMMANDE A DISTANCE :8F			2	UR
	701-48310-60	CABLE, REMOTE CONTROL L=9F CABLE, COMMANDE A DISTANCE :9F			2	UR
	701-48310-80	CABLE, REMOTE CONTROL L=10F CABLE, COMMANDE A DISTANCE:10F			2	UR
	701-48310-90	CABLE, REMOTE CONTROL L=11F CABLE, COMMANDE A DISTANCE:11F			2	UR
	701-48320-00	CABLE, REMOTE CONTROL L=12F CABLE, COMMANDE A DISTANCE:12F			2	UR
	701-48320-20	CABLE, REMOTE CONTROL L=13F CABLE, COMMANDE A DISTANCE			2	UR
	701-48320-30	CABLE, REMOTE CONTROL L=14F CABLE, COMMANDE A DISTANCE:14F			2	UR
	701-48320-50	CABLE, REMOTE CONTROL L=15F CABLE, COMMANDE A DISTANCE:15F			2	UR

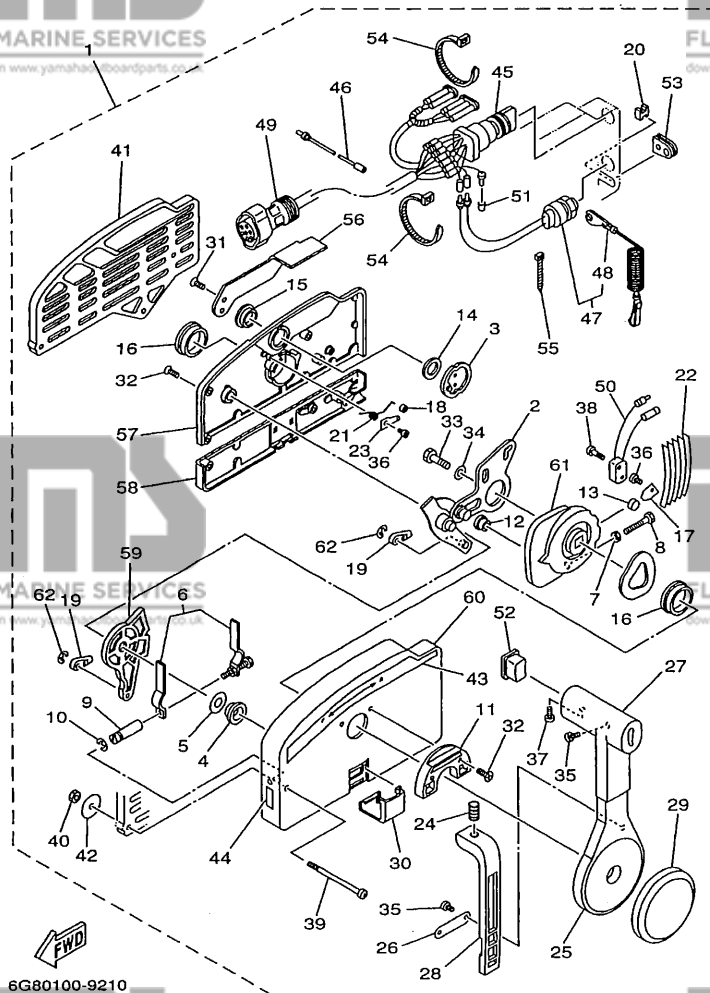
OMACC-9020



6G80100-9210

FIG. 20 REMOTE CONTROL ASSY 1 BOITIER DE COMMANDE A DISTANCE 1

REF. NO.	PART NO. NO. PIECES	DESCRIPTION DESCRIPTION	MH	EH	U	REMARKS REMARQUES
1	703-48240-12	REMOTE CONTROL ASSY (7P) BOITIER DE COMMANDE A DISTANCE			1	
2	703-48261-11	.ARM, THROTTLE .BRAS, ACCELERATION			1	
3	703-48153-00	.SHAFT, FREE ACCEL. .AXE			1	
4	703-48235-00	.BUSHING .COUSSINET			1	
5	703-48268-00	.SPACER .ENTRETOISE			1	
6	703-48264-00	.THROTTLE, FRICTION .ACCELERATION			1	
7	95380-05600	.NUT .ECROU			1	
8	97380-05025	.BOLT .BOULON			1	
9	703-48265-00	.SHAFT, FRICTION .AXE, COPILOTE			1	
10	93430-06024	.CIRCLIP .CIRCLIP, TYPE S			3	
11	703-48245-00	.PLATE, LOCK .PLAQUE, VERROU			1	
12	703-48252-00	.ROLLER, CAM .POULIE			1	
13	701-48248-00	.ROLLER, FREE ACCEL. .POULIE			1	
14	703-48198-00	.WASHER, WAVE .RONDELLE, ELASTIQUE ONDULEE			1	
15	703-48243-00	.BUSHING .COUSSINET			1	
16	703-48236-00	.BUSHING 1 .POULIE			2	
17	703-48189-00	.RETAINER .FLASQUE			1	
18	703-48234-00	.ROLLER, DETENT .POULIE			1	
19	703-48345-01	.CABLE END, REMOTE CONTROL 2 .CHAPE CABLE			2	
20	703-48358-00	.ANCHOR, CABLE .COLLIER			1	
21	703-48244-00	.SPRING, FREE ACCEL. .RESSORT			1	
22	703-48238-00	.SPRING, DETENT .RESSORT			5	
23	703-48246-00	.SPACER .ENTRETOISE			1	
24	703-48227-00	.SPRING, NEUTRAL LOCK .RESSORT			1	
25	703-48221-00	.LEVER, CONTROL .LEVIER, COMMANDE			1	
26	703-48226-00	.PLATE, STOPPER .PLAQUETTE			1	
27	703-48222-00	.GRIP, CONTROL LEVER .POIGNEE, COMMANDE LEVIER			1	SINGLE



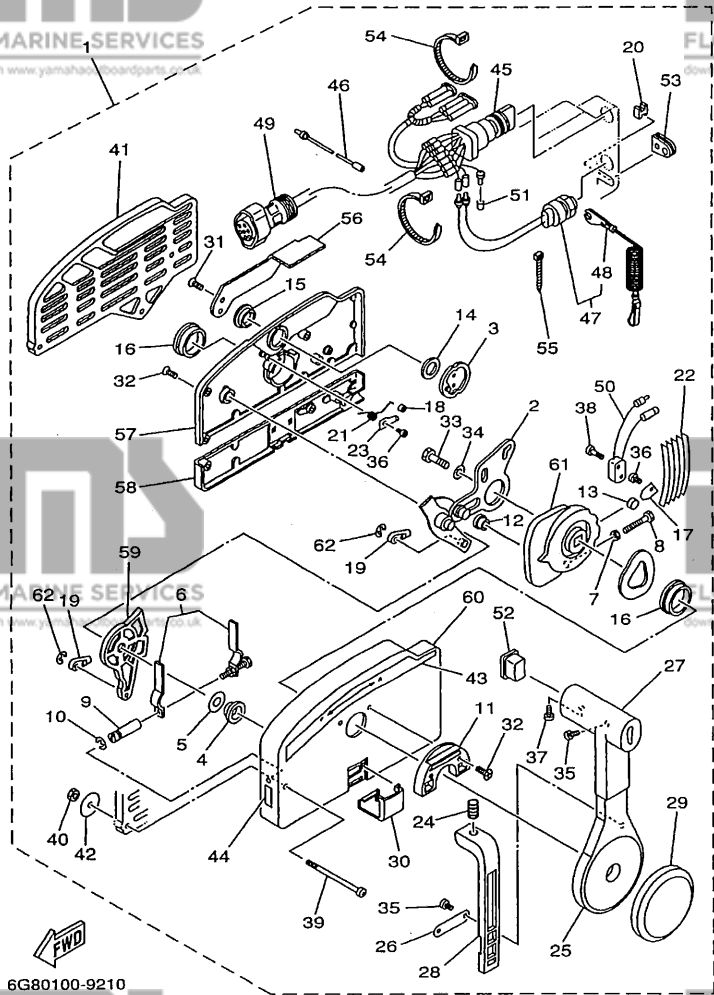
6G80100-9210

FIG. 20 REMOTE CONTROL ASSY 1 BOITIER DE COMMANDE A DISTANCE 1

REF. NO.	PART NO. NO. PIECES	DESCRIPTION DESCRIPTION	MH	UH	W	REMARKS REMARQUES
28	703-48223-00	.LOCK, NEUTRAL .VERROU, NEUTRAL			1	
29	703-48225-00	.COVER .COUVERCLE			1	
30	703-48219-00	.COVER, LEAD .COUVERCLE			1	
31	703-48281-00	.SCREW .VIS			2	
32	703-48282-00	.SCREW .VIS			7	
33	97395-08030	.BOLT .BOULON			1	
34	92990-08600	.WASHER, PLATE .RONDELLE, PLATE			1	
35	98580-04010	.SCREW, PAN HEAD .VIS, TETE TRONCONIQUE			3	SINGLE
36	98580-04006	.SCREW, PAN HEAD .VIS, TETE TRONCONIQUE			2	
37	98580-05010	.SCREW, PAN HEAD .VIS, TETE TRONCONIQUE			1	
38	98580-03015	.SCREW, PAN HEAD .VIS, TETE TRONCONIQUE			2	
39	703-48291-10	.SCREW (M6) .VIS (M6)			3	
40	95380-06600	.NUT .ECROU			3	
41	703-48293-10	.SPACER, REMOTE CONTROL .ENTRETOISE			1	SINGLE
42	701-48287-00	.WASHER .RONDELLE			3	
43	703-48215-00	.GRAPHIC .ADHESIF			1	
44	702-48217-00	.MARK .ETIQUETTE			1	
45	703-82510-20	.MAIN SWITCH ASSY .CONTACTEUR A CLEF COMPLET			1	
46	703-82531-00	.WIRE, LEAD .FIL			1	
47	688-82575-01	.ENGINE STOP SWITCH ASSY .COUPE CIRCUIT CPLT			1	
48	682-82556-00	.STOPPER .PLAQUETTE			1	
49	688-82586-21	.EXTENSION, WIRE HARNESS .EXTENSION, FAISCEAU DE FILS			1	L:5M (7P)
50	703-82540-00	.NEUTRAL SWITCH ASSY .CONTACTEUR DE POINT-MORT			1	
51	703-82542-00	.CAP .COUVERCLE			1	
52	703-48224-00	.COVER, CONTROL LEVER .COUVERCLE			1	WITHOUT PT/T SW.
53	703-48284-00	.GROMMET .PASSE-FIL			1	
54	703-82591-00	.BAND .COLLIER			2	

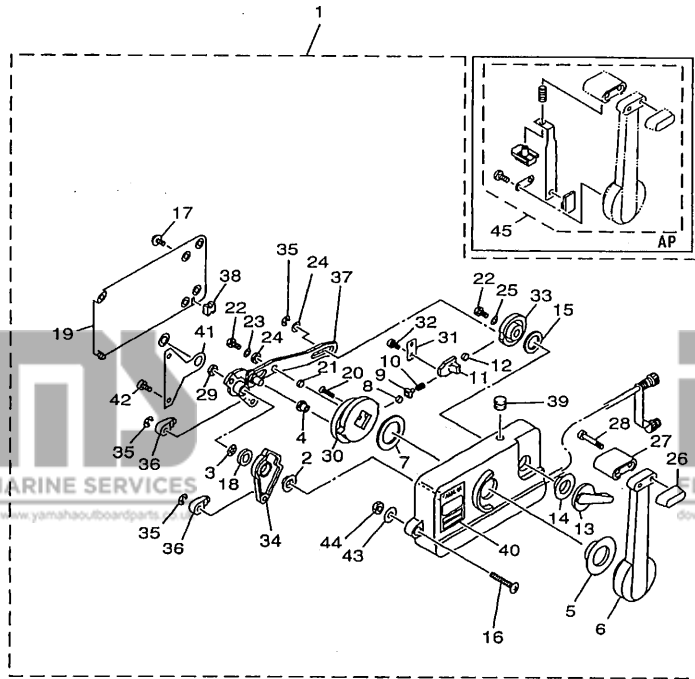
FIG. 20 REMOTE CONTROL ASSY 1 BOITIER DE COMMANDE A DISTANCE 1

REF. NO.	PART NO. NO. PIECES	DESCRIPTION DESCRIPTION	MH	U	W	REMARKS REMARQUES
55	703-82592-00	.BAND .COLLIER			1	
56	703-48152-00	.KNOB, FREE ACCEL. .BOUTON			1	
57	703-48212-00	.BACK PLATE 1 .PLAQUETTE 1			1	
58	703-48213-00	.BACK PLATE 2 .PLAQUETTE 2			1	
59	703-48271-00	.ARM, SHIFT .BRAS			1	
60	703-48211-01	.HOUSING,1 .CORPS			1	
61	703-48232-00	.GEAR .PIGNON			1	
62	93430-06024	.CIRCLIP .CIRCLIP, TYPE S			2	



6G80100-9210

FIG. 21 REMOTE CONTROL ASSY 2 BOITIER DE COMMANDE A DISTANCE 2

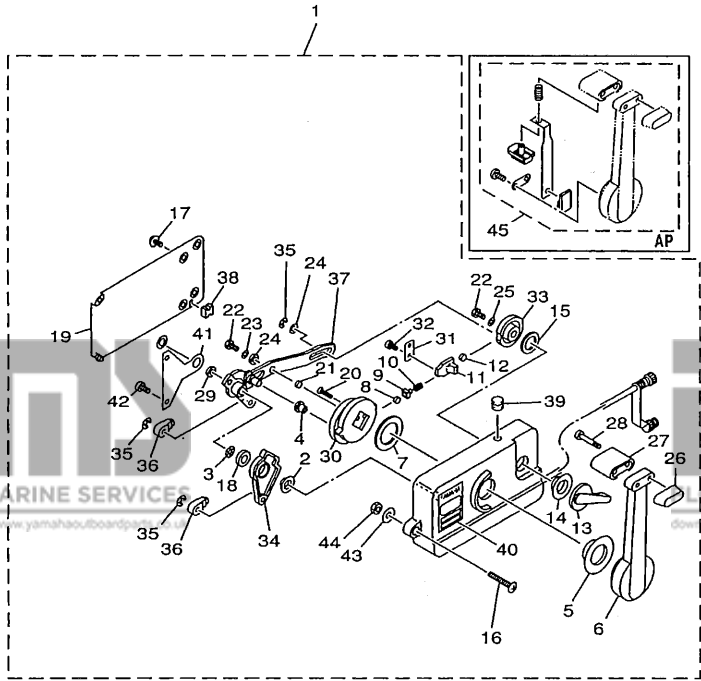


REF. NO.	PART NO. NO. PIECES	DESCRIPTION DESCRIPTION	MH	EH	W	REMARKS REMARQUES
1	701-48101-51	REMOTE CONTROL ASSY BOITIER DE COMMANDE A DISTANCE			1	UR RIGHT
	701-48102-51	REMOTE CONTROL ASSY BOITIER DE COMMANDE A DISTANCE			1	UR LEFT
2	701-48235-00	.BUSHING .COUSSINET			1	
3	701-48197-10	.WASHER, WAVE .RONDELLE, ELASTIQUE ONDULEE			1	
4	701-48252-00	.ROLLER, CAM .POULIE			1	
5	701-48234-00	.BUSHING 1 .POULIE			1	
6	701-48221-00	.LEVER, CONTROL .LEVIER, COMMANDE			1	
7	701-48196-11	.WASHER, WAVE .RONDELLE, ELASTIQUE ONDULEE			1	
8	701-48236-00	.ROLLER, DETENT .POULIE			1	
9	702-48237-00	.ADAPTOR .ADAPTEUR			1	
10	702-48238-00	.SPRING, DETENT .RESSORT			1	
11	701-48249-00	.ADAPTOR, SPRING .ADAPTEUR			1	
12	701-48248-00	.ROLLER, FREE ACCEL. .POULIE			1	
13	701-48152-11	.KNOB, FREE ACCEL. .BOUTON			1	UR RIGHT
	701-48152-20	.KNOB, FREE ACCEL. .BOUTON			1	UR LEFT
14	701-48243-00	.BUSHING .COUSSINET			1	
15	701-48198-10	.WASHER, WAVE .RONDELLE, ELASTIQUE ONDULEE			1	
16	701-48281-10	.SCREW .VIS			3	
17	98580-05010	.SCREW, PAN HEAD .VIS, TETE TRONCONIQUE			4	
18	701-48268-00	.SPACER .ENTRETOISE			1	
19	701-48213-00	.BACK PLATE 2 .PLAQUETTE 2			1	
20	98780-06025	.SCREW, FLAT HEAD .VIS, TETE PLATE			2	
21	701-48255-00	.COLLAR .ENTRETOISE			1	
22	97080-06018	.BOLT .BOULON			2	
23	702-48288-00	.WASHER, PLAIN .RONDELLE, PLATE			1	
24	701-48246-00	.SPACER .ENTRETOISE			2	
25	92990-06300	.WASHER, INTERNAL TOOTH .RONDELLE, DENTURE INTERNE			1	



6G80100-9220

FIG. 21 REMOTE CONTROL ASSY 2 BOITIER DE COMMANDE A DISTANCE 2



REF. NO.	PART NO. NO. PIECES	DESCRIPTION DESCRIPTION	MH	EH	E	REMARKS REMARQUES
26	701-48229-00	.GRIP, CONTROL LEVER .POIGNEE, COMMANDE LEVIER			1	
27	701-48222-00	.GRIP, CONTROL LEVER .POIGNEE, COMMANDE LEVIER			1	
28	98580-05555	.SCREW, PAN HEAD .VIS, TETE TRONCONIQUE			2	
29	701-48266-00	.SPACER .ENTRETOISE			1	
30	701-48232-00	.GEAR .PIGNON			1	
31	701-48189-11	.RETAINER .FLASQUE			1	
32	98580-05010	.SCREW, PAN HEAD .VIS, TETE TRONCONIQUE			2	
33	701-48153-12	.SHAFT, FREE ACCEL. .AXE			1	
34	701-48271-00	.ARM, SHIFT .BRAS			1	UR RIGHT
	701-48271-10	.ARM, SHIFT .BRAS			1	UR LEFT
35	93430-06024	.CIRCLIP .CIRCLIP, TYPE S			3	
36	703-48345-01	.CABLE END,REMOTE CONTROL 2 .CHAPE CABLE			2	
37	701-48261-00	.ARM, THROTTLE .BRAS, ACCELERATION			1	UR RIGHT
	701-48261-10	.ARM, THROTTLE .BRAS, ACCELERATION			1	UR LEFT
38	701-48358-00	.ANCHOR, CABLE .COLLIER			1	
39	701-48138-50	.CAP, LOCK ARM .AMORTISSEUR			1	
40	701-48126-00	.GRAPHIC .ADHESIF			1	
41	701-48133-00	.PLATE, LINK .PLAQUE, BIELLETTE			1	
42	98580-05020	.SCREW, PAN HEAD .VIS, TETE TRONCONIQUE			2	
43	701-48287-00	.WASHER .RONDELLE			3	
44	95380-06600	.NUT .ECROU			3	
45	701-48280-00	NEUTRAL LOCK KIT KIT DE VERROU NEUTRAL			1	AP



6G80100-9220

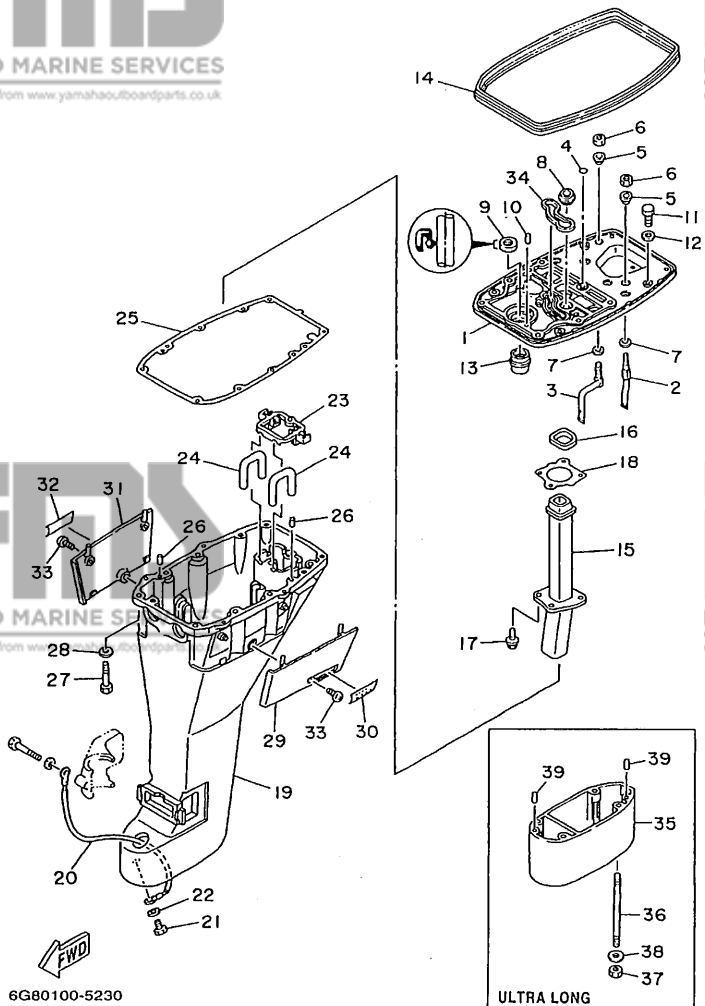
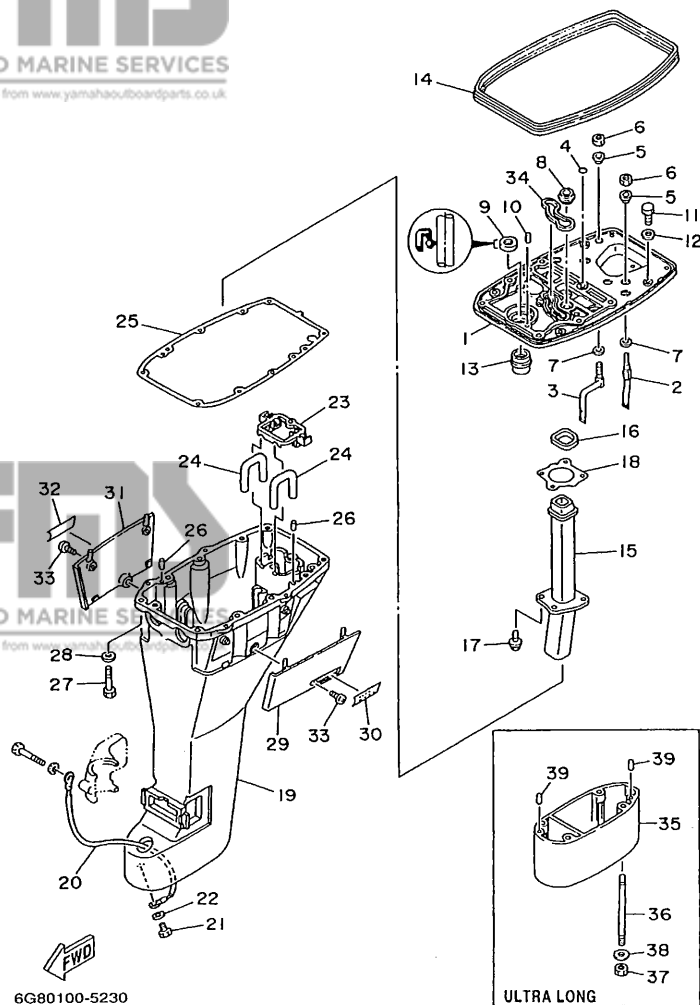


FIG. 22 UPPER CASING FOURREAU

REF. NO.	PART NO. NO. PIECES	DESCRIPTION DESCRIPTION	MH	HT	W	REMARKS REMARQUES
1	6G8-41137-04-94	GUIDE, EXHAUST COLLECTEUR D'ECHAPPEMENT	1	1	1	
2	6G8-12483-00	PIPE 3 DURITE 3	1	1	1	
3	6G8-12484-00	PIPE 4 DURITE 4	1	1	1	
4	93210-08M60	O-RING JOINT TORIQUE	1	1	1	
5	90386-10M70	BUSH DOUILLE	2	2	2	
6	95380-10700	NUT ECROU	2	2	2	
7	90202-10M03	WASHER, PLATE RONDELLE, PLATE	2	2	2	
8	6G8-44367-00	DAMPER, WATER SEAL JOINT TUBE D'EAU	1	1	1	
9	93101-13M27	OIL SEAL JOINT SPY	1	1	1	
10	93606-12019	PIN, DOWEL GOUJON	2	2	2	
11	97013-06020	BOLT BOULON	2	2	2	
12	92903-06600	WASHER, PLATE RONDELLE, PLATE	2	2	2	
13	6G8-45135-00	PIPE TUYAU	1	1	1	
14	6G8-42716-00	RUBBER, SEAL 1 JOINT EN CAOOUTCHOUC 1	1	1	1	
15	6G8-41131-01	MANIFOLD, EXT. 1 PIPE D'ECHAPPEMENT	1	1	1	
16	6G8-41138-00	SEAL, EXT. 1 JOINT DE GROUPE 1	1	1	1	
17	90105-06M33	BOLT, WASHER BASED BOULON, AVEC RONDELLE	4	4	4	
18	6G8-41133-A0	GASKET, EXHAUST MANIFOLD 1 JOINT, PIPE D'ECHAPPEMENT	1	1	1	
19	6G9-45111-03-4D 6G8-45111-13-4D	CASING, UPPER FOURREAU	1	1	1	UR S UR L/X
20	6G8-82149-00	WIRE, LEAD 3 FIL 3	1	1	1	
21	97095-06012	BOLT BOULON	1	1	1	
22	92995-06600	WASHER RONDELLE	1	1	1	
23	6G8-45151-10	COVER, UPPER CASING CAPUCHON, FOURREAU	1	1	1	
24	6G8-45136-00	PIPE DURITE	2	2	2	
25	6G8-45113-A1	GASKET, UPPER CASING JOINT, TUBE D'ARBRE	1	1	1	
26	93606-12019	PIN, DOWEL GOUJON	2	2	2	

FIG. 22 UPPER CASING FOURREAU

REF. NO.	PART NO. NO. PIECES	DESCRIPTION DESCRIPTION	MH	HT	W	REMARKS REMARQUES
27	97095-08040	BOLT BOULON	6	6	6	
28	92995-08600	WASHER RONDELLE	6	6	6	
29	6G8-42741-00-4D	APRON CAPOT LATERAL	1	1	1	
30	6G8-42791-00	MARK 1 ETIQUETTE 1	1	1	1	
31	6G8-42771-00-4D	APRON CAPOT LATERAL	1	1	1	
32	6G8-42792-00	MARK 1 ETIQUETTE	1	1	1	
33	90157-06M04	SCREW, PAN HEAD VIS, TETE TRONCONIQUE	2	2	2	
34	6G8-11355-00	SEAL, CYLINDER 1 JOINT, SPY CYLINDRE	1	1	1	
35	6G8-45211-20-4D	EXTENSION EXTENSION	1	1	1	X
36	90116-08M19	BOLT, STUD GOUJON	4	4	4	X
37	95380-08600	NUT ECROU	4	4	4	X
38	92990-08600	WASHER, PLATE RONDELLE, PLATE	4	4	4	X
39	93606-12019	PIN, DOWEL GOUJON	2	2	2	X



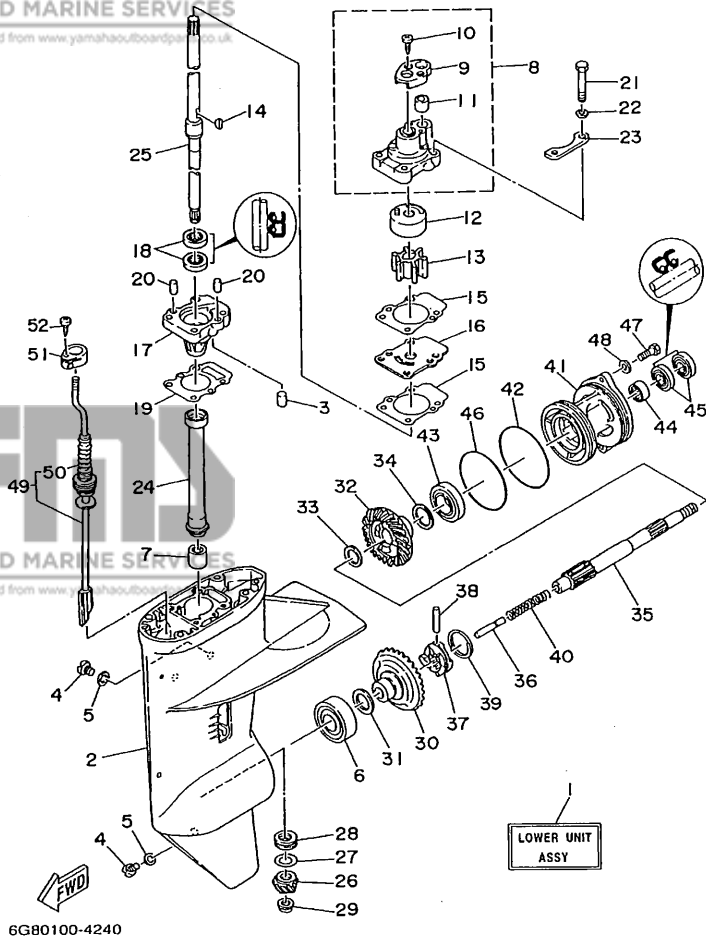


FIG. 23 LOWER CASING. DRIVE 1 BOITIER D'HELICE, TRANSMISSION 1

REF. NO.	PART NO. NO. PIECES	DESCRIPTION DESCRIPTION	MH	IE	U	REMARKS REMARQUES
1	6G8-45300-06-4D	LOWER UNIT ASSY UNITE INFERIEURE (ENS.) (REF.NO. 2-52)			1	UR S
	6G8-45300-16-4D	LOWER UNIT ASSY UNITE INFERIEURE (ENS.) (REF.NO. 2-52)	1	1	1	UR L
	6G8-45300-26-4D	LOWER UNIT ASSY UNITE INFERIEURE (ENS.) (REF.NO. 2-52)	1	1	1	UR X
2	6G8-45311-04-4D	CASING, LOWER BOITIER D'HELICE	1	1	1	
3	93604-08062	PIN, DOWEL GOIJON	1	1	1	
4	90340-08M04	PLUG, STRAIGHT SCREW PLOT, FILETE DROIT	3	3	3	
5	90430-08020	GASKET JOINT	3	3	3	
6	93332-00005	BEARING ROULEMENT	1	1	1	
7	93315-213V4	BEARING ROULEMENT	1	1	1	
8	682-44300-01	HOUSING WATER PUMP ASSY CORPS POMPE A EAU (ENS)	1	1	1	
9	682-44312-00	.COVER, WATER PUMP HOUSING .COUVERCLE	1	1	1	
10	97780-40112	.SCREW, TAPPING .VIS, TETE FRAISEE	2	2	2	
11	682-44365-00	.DAMPER, WATER SEAL .JOINT, TUBE D'EAU	1	1	1	
12	682-44322-00	INSERT, CARTRIDGE CUVETTE	1	1	1	
13	682-44352-01	IMPELLER TURBINE	1	1	1	
14	90280-03024	KEY, WOODRUFF CLAVETTE, DEMI-LUNE	1	1	1	
15	682-44315-A0	GASKET, WATER PUMP JOINT, POMPE A EAU	2	2	2	
16	682-44323-00	OUTER PLATE, CARTRIDGE PLAQUE EXTERIEURE	1	1	1	
17	6G8-45331-00-5B	HOUSING, BEARING FLASQUE, ROULEMENT	1	1	1	
18	93101-20048	OIL SEAL JOINT SPY	2	2	2	
19	6G8-45315-A0	PACKING, LOWER CASING JOINT, BOITIER D'HELICE	1	1	1	
20	93606-12019	PIN, DOWEL GOIJON	2	2	2	
21	97095-06045	BOLT BOULON	4	4	4	
22	92995-06600	WASHER RONDELLE	4	4	4	

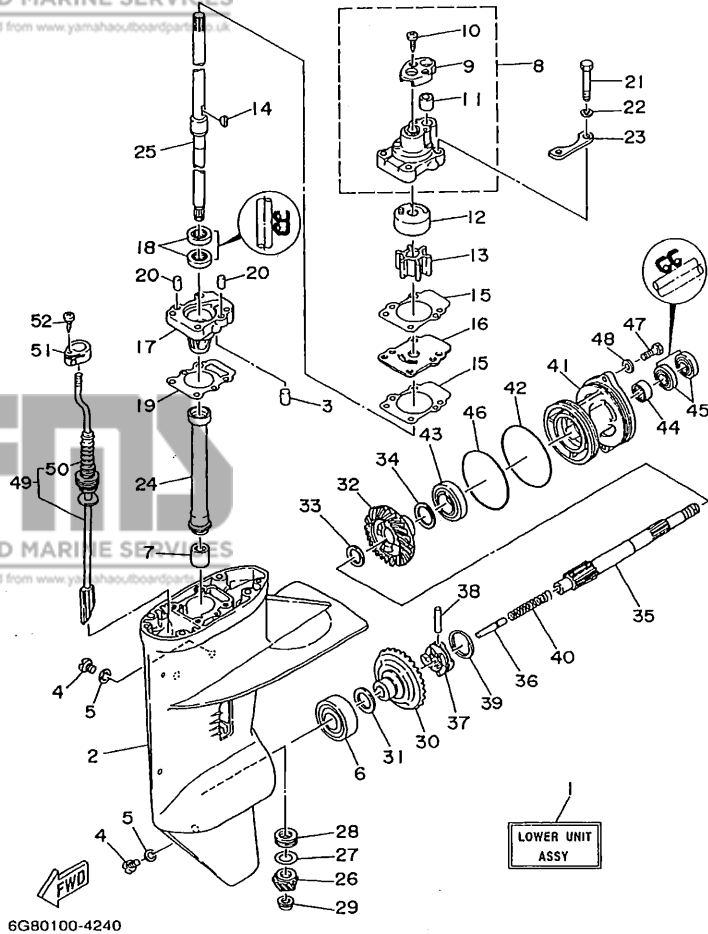
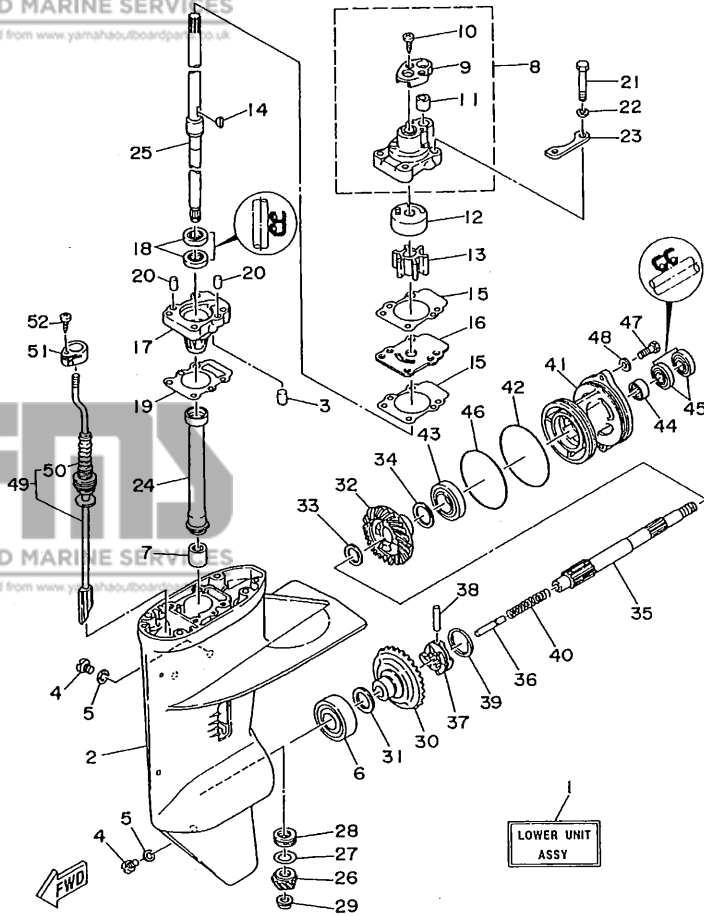


FIG. 23 LOWER CASING. DRIVE 1

BOITIER D'HELICE, TRANSMISSION 1

REF. NO.	PART NO. NO. PIECES	DESCRIPTION DESCRIPTION	MH	EH	W	REMARKS REMARQUES
23	682-44328-00	PLATE PLAQUETTE	2	2	2	
24	6G8-45536-00	SLEEVE, DRIVE SHAFT MANCHON, ARBRE MOTEUR	1	1	1	
25	6G8-45501-00	DRIVE SHAFT COMP. ARBRE MOTEUR COMP.			1	UR S
	6G8-45501-10	DRIVE SHAFT COMP. ARBRE MOTEUR COMP.	1	1	1	UR L
	6G8-45501-20	DRIVE SHAFT COMP. ARBRE MOTEUR COMP.	1	1	1	UR X
26	6G8-45551-00	PIGION PIGNON D'ATTAQUE	1	1	1	
27	6G8-45587-00-10	SHIM (T:0.10MM) CALE (T:0.10MM)	1	1	1	UR
	6G8-45587-00-14	SHIM (T:0.14MM) CALE (T:0.14MM)	1	1	1	UR
	6G8-45587-00-18	SHIM (T:0.18MM) CALE (T:0.18MM)	1	1	1	UR
	6G8-45587-00-35	SHIM (T:0.35MM) CALE (T:0.35MM)	1	1	1	UR
	6G8-45587-00-50	SHIM (T:0.50MM) CALE (T:0.50MM)	1	1	1	UR
28	93341-313U3	BEARING ROULEMENT	1	1	1	
29	90179-08M06	NUT ECROU	1	1	1	
30	6G8-45560-00	GEAR PIGNON	1	1	1	
31	626-45577-00-01	SHIM (T:0.10MM) CALE (T:0.10MM)	1	1	1	UR
	626-45577-00-03	SHIM (T:0.30MM) CALE (T:0.30MM)	1	1	1	UR
	626-45577-00-05	SHIM (T:0.50MM) CALE (T:0.50MM)	1	1	1	UR
32	6G8-45571-00	GEAR PIGNON	1	1	1	
33	90201-17682	WASHER, PLATE RONDELLE, PLATE	1	1	1	
34	626-45577-00-01	SHIM (T:0.10MM) CALE (T:0.10MM)	1	1	1	UR
	626-45577-00-03	SHIM (T:0.30MM) CALE (T:0.30MM)	1	1	1	UR
	626-45577-00-05	SHIM (T:0.50MM) CALE (T:0.50MM)	1	1	1	UR
35	6G8-45611-00	SHAFT, PROPELLER ARBRE, HELICE	1	1	1	
36	650-45635-00	PLUNGER, SHIFT POUSSOIR D'EMBAYAGE	1	1	1	
37	682-45631-00	CLUTCH, DOG CRABOT	1	1	1	
38	90250-05010	PIN, STRAIGHT GOUPILLE, DROITE	1	1	1	
39	648-45633-00	RING, CROSS PIN JONC, GOUPILLE CRABOT	1	1	1	

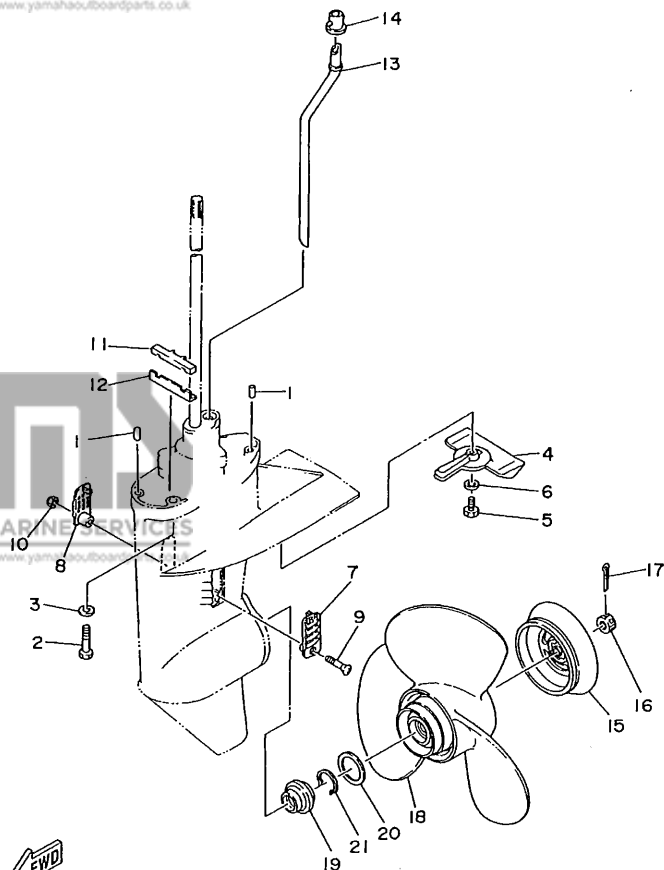


6G80100-4240

FIG. 23 LOWER CASING, DRIVE 1

BOITIER D'HELICE, TRANSMISSION 1

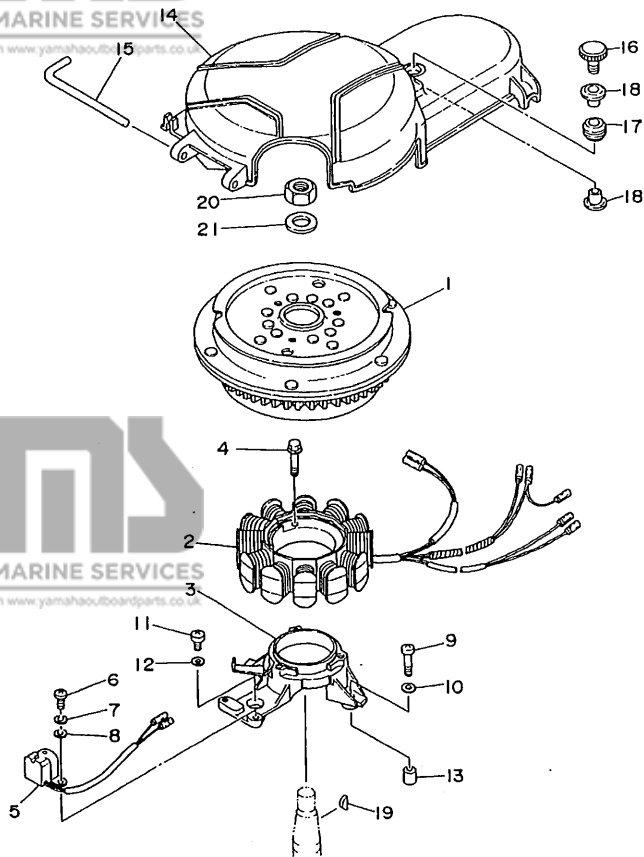
REF. NO.	PART NO. NO. PIECES	DESCRIPTION DESCRIPTION	M	H	U	REMARKS REMARQUES
40	90501-14M06	SPRING, COMPRESSION RESSORT, COMPRESSION	1	1	1	
41	6G8-45361-01-4D	CAP, LOWER CASING COUVERCLE, BOITIER D'HELICE	1	1	1	
42	93210-74316	O-RING JOINT TORIQUE	1	1	1	
43	93306-00501	BEARING (B6005) ROULEMENT (B6005)	1	1	1	
44	93315-317U2	BEARING ROULEMENT	1	1	1	
45	93101-17054	OIL SEAL JOINT SPY	2	2	2	
46	93210-74M68	O-RING JOINT TORIQUE	1	1	1	
47	97095-06020	BOLT BOULON	2	2	2	
48	92995-06600	WASHER RONDELLE	2	2	2	
49	6G8-44150-00	SHIFT CAM ASSY CAME D'INVERSION			1	UR S
	6G8-44150-10	SHIFT CAM ASSY CAME D'INVERSION	1	1	1	UR L
	6G8-44150-20	SHIFT CAM ASSY CAME D'INVERSION	1	1	1	UR X
50	682-44147-00	.BOOT, SHIFT ROD .SOUFFLET, TIGE D'INVERSION	1	1	1	
51	682-44176-00	BRACKET SUPPORT	1	1	1	
52	97780-50510	SCREW, TAPPING VIS, TETE FRAISEE	1	1	1	



6G80100-4250

FIG. 24 LOWER CASING. DRIVE 2 BOITIER D'HELICE, TRANSMISSION 2

REF. NO.	PART NO. NO. PIECES	DESCRIPTION DESCRIPTION	MH	HT	W	REMARKS REMARQUES
1	93606-12019	PIN, DOWEL GOUJON	2	2	2	
2	97075-08035	BOLT BOULON	4	4	4	
3	92995-08600	WASHER RONDELLE	4	4	4	
4	6G8-45251-00	ANODE ANODE	1	1	1	
5	95895-06020	BOLT, FLANGE BOULON, A COLLERETTE	1	1	1	
6	92990-06300	WASHER, INTERNAL TOOTH RONDELLE, DENTURE INTERNE	1	1	1	
7	6G8-45214-00	COVER, WATER INLET GRILLE, ENTREE D'EAU	1	1	1	
8	6G8-45215-00	COVER, WATER INLET GRILLE, ENTREE D'EAU	1	1	1	
9	98180-05025	SCREW, OVAL HEAD VIS, TETE OVALE	1	1	1	
10	90185-05002	NUT, SELF-LOCKING ECROU, AUTO-BLOQUANT	1	1	1	
11	682-45375-01	DAMPER, SEAL BOURRELET, CAOUTCHOUC	1	1	1	
12	682-45376-01	GUIDE, SEAL DAMPER BUTEE, JOINT CAOUTCHOUC	1	1	1	
13	6G9-44361-00	TUBE, WATER TUBE D'EAU			1	UR S
	6G8-44361-10	TUBE, WATER TUBE D'EAU	1	1	1	UR L
	6G8-44361-20	TUBE, WATER TUBE D'EAU	1	1	1	UR X
14	626-44365-01	DAMPER, WATER SEAL JOINT, TUBE D'EAU	1	1	1	
15	6G8-45986-00	RING, DEFLECTOR DEFLECTEUR DE CERCLE	1	1	1	
16	90171-10M07	NUT, CASTLE ECROU, CRENELE	1	1	1	
17	91490-30025	PIN, COTTER GOUPILLE, FENDUE	1	1	1	
18	6G8-45943-00	PROPELLER (3X11-3/4"X9-1/4"-R) HELICE (3X9-7/8"X10-1/2"-F)	1	1	1	UR
	6G8-45945-00	PROPELLER (3X11-3/4"X12-1/4"-R) HELICE (3X11-3/4"X12-1/4"-R)	1	1	1	UR
	6G8-45947-00-EL	PROPELLER (3X11-3/4"X9-1/4"-R) HELICE (3X11-3/4"X9-1/4"-R)	1	1	1	UR ALUMINIUM
19	6G8-45987-02	SPACER ENTRETOISE	1	1	1	
20	90201-31MA3	WASHER, PLATE RONDELLE, PLATE	1	1	1	
21	93450-10M04	CIRCLIP CIRCLIP, TYPE S	1	1	1	

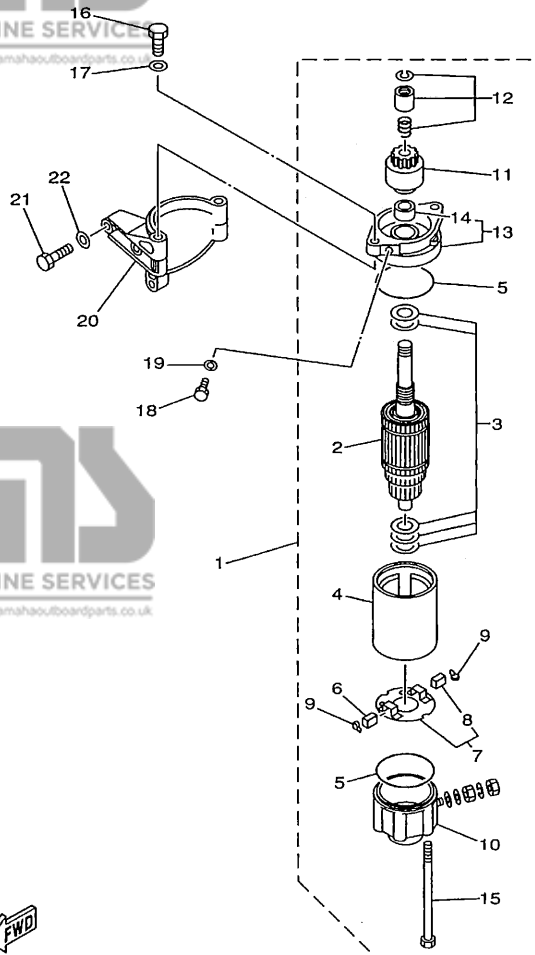


6G90010-4260

FIG. 25 GENERATOR

GENERATRICE

REF. NO.	PART NO. NO. PIECES	DESCRIPTION DESCRIPTION	MH	EU	U	REMARKS REMARQUES
1	6G8-85550-01	ROTOR ASSY ROTOR CPLT		1	1	UR
	6G8-85550-11	ROTOR ASSY ROTOR CPLT	1			UR
2	6G8-85510-01	STATOR ASSY STATOR CPLT	1	1	1	
3	6G8-85561-00-94	BASE, MAGNETO BASE, MAGNETO	1	1	1	
4	95023-06025	BOLT, FLANGE BOULON, A COLLERETTE	3	3	3	
5	6G8-85580-02	COIL, PULSER BOBINE, PULSEUR	1	1	1	
6	97880-05012	SCREW, PAN HEAD VIS, TETE TRONCONIQUE	2	2	2	
7	92990-05100	WASHER, SPRING RONDELLE, GROVER	2	2	2	
8	92990-05600	WASHER, PLATE RONDELLE, PLATE	2	2	2	
9	97880-06025	SCREW, PAN HEAD VIS, TETE TRONCONIQUE	2	2	2	
10	92990-06600	WASHER, PLATE RONDELLE, PLATE	2	2	2	
11	97880-06020	SCREW, PAN HEAD VIS, TETE TRONCONIQUE	1	1	1	
12	92990-06600	WASHER, PLATE RONDELLE, PLATE	1	1	1	
13	99530-08012	PIN, DOWEL GOUJON, D'ASSEMBLAGE	2	2	2	
14	6G8-81337-01	COVER, FLYWHEEL COUVERCLE, VOLANT	1	1	1	
15	6G8-42752-00	SHAFT AXE	1	1	1	
16	6G8-81323-00	SCREW 1 VIS 1	1	1	1	
17	90480-15M31	GROMMET PASSE-FIL	1	1	1	
18	90387-06M71	COLLAR COLLERETTE	2	2	2	
19	90280-05013	KEY, WOODRUFF CLAVETTE, DEMI-LUNE	1	1	1	
20	90170-12066	NUT ECROU	1	1	1	
21	90201-12472	WASHER, PLATE RONDELLE, PLATE	1	1	1	

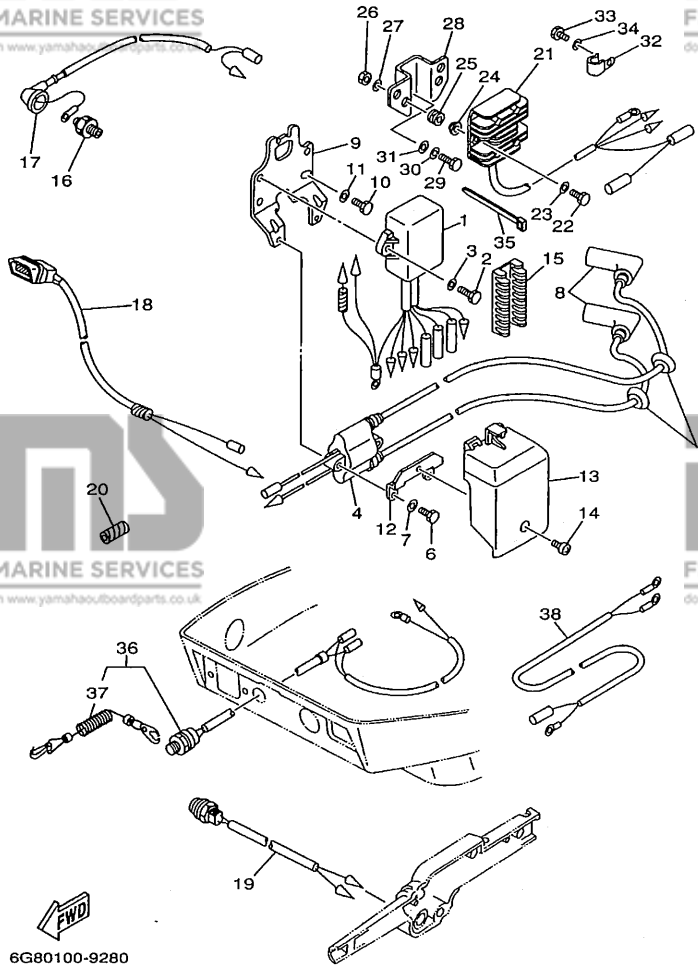


6G90100-8270

FIG. 26 STARTING MOTOR

DEMARREUR ELECTRIQUE

REF. NO.	PART NO. NO. PIECES	DESCRIPTION DESCRIPTION	MH	UT	W	REMARKS REMARQUES
1	6G8-81800-11	STARTING MOTOR ASSY DEMARREUR ELECTRIQUE COMPLET		1	1	
2	689-81850-12	.ARMATURE ASSY .INDUIT		1	1	
3	689-81809-11	.WASHER KIT .JEU DE RONDELLES		1	1	
4	689-81810-11	.STATOR ASSY .STATOR COMPLET		1	1	
5	689-81847-11	.O-RING .JOINT TORIQUE		2	2	
6	689-81811-11	.BRUSH 1 .CHARBON 1		1	1	
7	689-81840-11	.BRUSH HOLDER ASSY .SUPPORT DE CHARBON		1	1	
8	689-81812-11	.BRUSH 2 .CHARBON 2		1	1	
9	689-81813-10	.SPRING, BRUSH .RESSORT, DE CHARBON		2	2	
10	689-81820-11	.REAR BRACKET ASSY .SUPPORT ARRIERE COMPLET		1	1	
11	689-81807-12	.GEAR ASSY, STARTING MOTOR .PIGNON, DEMARREUR ELECTRIQUE		1	1	
12	689-81857-11	.PINION STOPPER SET .BUTEE PIGNON		1	1	
13	6F5-81830-11	.FRONT BRACKET ASSY .SUPPORT AVANT		1	1	
14	689-81831-00	.METAL, FRONT .METAL, AVANT		1	1	
15	689-81826-10	.BOLT .BOULON		2	2	
16	97075-08025	BOLT BOULON		2	2	
17	92995-08600	WASHER RONDELLE		2	2	
18	97095-08016	BOLT BOULON		1	1	
19	92995-08600	WASHER RONDELLE		1	1	
20	6G8-81822-40-94	BRACKET, STARTING MOTOR SUPPORT, DEMARREUR ELECTRIQUE		1	1	
21	97013-08030	BOLT BOULON		3	3	
22	92903-08600	WASHER, PLATE RONDELLE, PLATE		3	3	



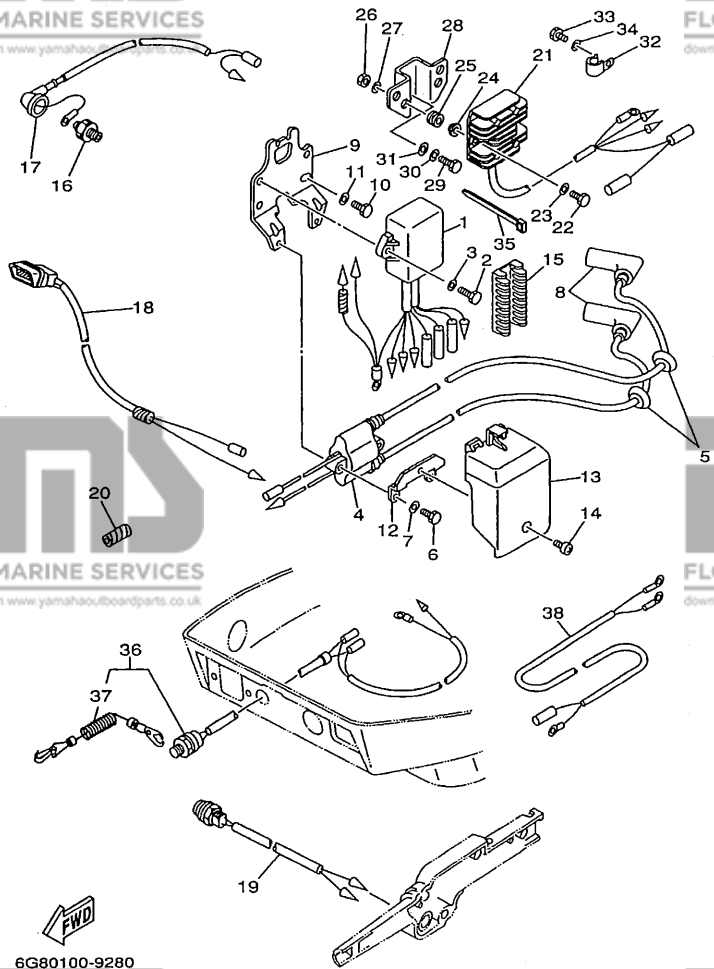
6G80100-9280

FIG. 27 ELECTRICAL 1

PARTIE ELECTRIQUE 1

REF. NO.	PART NO. NO. PIECES	DESCRIPTION DESCRIPTION	MH	U	w	REMARKS REMARQUES
1	6G8-85540-23	C.D.I. UNIT ASSY BLOC C.D.I.	1	1	1	
2	97095-06020	BOLT BOULON	2	2	2	
3	92995-06600	WASHER RONDELLE	2	2	2	
4	6G8-85570-21	IGNITION COIL ASSY BOBINE D'ALLUMAGE (ENS.)	1	1	1	
5	90480-25161	GROMMET PASSE-FIL	2	2	2	
6	97095-06025	BOLT BOULON	2	2	2	
7	92995-06600	WASHER RONDELLE	2	2	2	
8	6G8-82370-30	PLUG CAP ASSY ANTIPARASITE	2	2	2	
9	6G8-85542-00	BRACKET SUPPORT	1	1	1	
10	97095-06020	BOLT BOULON	2	2	2	
11	92995-06600	WASHER RONDELLE	2	2	2	
12	6G8-85525-00	PLATE PLAQUE	1	1	1	
13	6G8-81916-00	COVER, TERMINAL COUVERCLE, BORNE	1	1	1	
14	98980-06008	SCREW, BIND VIS, DE PRESSION	1	1	1	
15	6G8-82522-00	CLAMP, COUPLER BRIDE, DE CONNECTEUR	1	1	1	
16	6G8-82504-00	OIL PRESSURE SWITCH ASSY CONTACTEUR DE PRESSION D'HUILE	1	1	1	
17	6G8-82127-00	WIRE, LEAD 2 FIL 2	1	1	1	
18	6G8-83582-01	PILOT LIGHT ASSY LAMPE-TEMOIN COMPLET	1	1	1	
19	6G8-82550-10	ENGINE STOP SWITCH ASSY COMMUTATEUR D'ARRET CPLT	1	1	1	
20	90446-10M02	HOSE DURITE	1	1	1	
21	6G8-81960-10	RECTIFIER & REGULATOR ASSY REDRESSEUR REGULATEUR CPLT	1	1	1	
22	97095-06025	BOLT BOULON	2	2	2	
23	92995-06600	WASHER RONDELLE	2	2	2	
24	90387-06M70	COLLAR COLLERETTE	2	2	2	
25	90480-13M24	GROMMET PASSE-FIL	2	2	2	
26	95380-06700	NUT ECROU	2	2	2	
27	92990-06600	WASHER, PLATE RONDELLE, PLATE	2	2	2	

B1

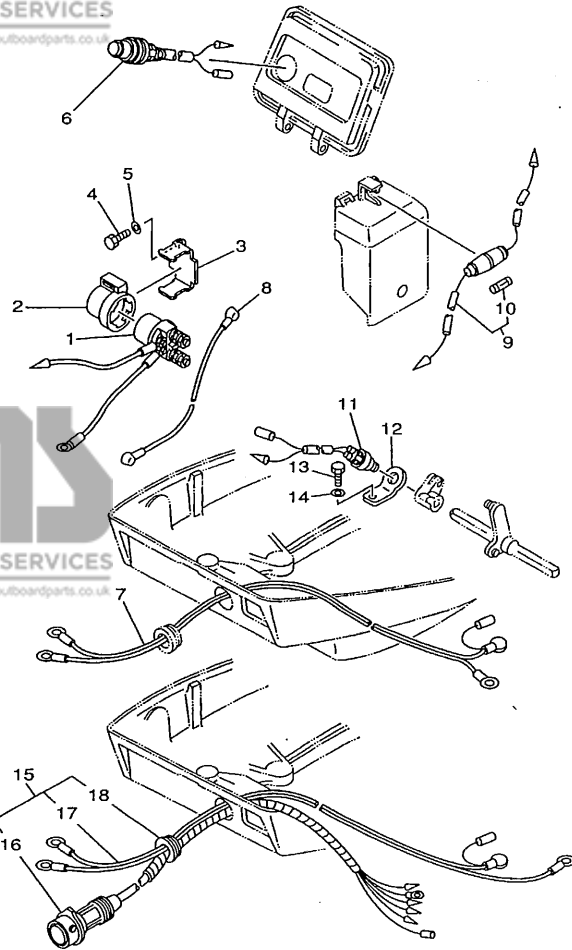


FWD
6G80100-9280

FIG. 27 ELECTRICAL 1

PARTIE ELECTRIQUE 1

REF. NO.	PART NO. NO. PIECES	DESCRIPTION DESCRIPTION	MH	EH	W	REMARKS REMARQUES
28	6G8-81948-02	BRACKET JOINT TORIQUE	1	1	1	
29	97095-06020	BOLT BOULON	1	1	1	
30	92995-06100	WASHER, SPRING RONDELLE, GROWER	1	1	1	
31	92995-06600	WASHER RONDELLE	1	1	1	
32	90465-08M75	CLAMP BRIDE	1	1	1	
33	97013-06012	BOLT BOULON	1	1	1	
34	92903-06600	WASHER, PLATE RONDELLE, PLATE	1	1	1	
35	90465-13M11	CLAMP BRIDE	1	1	1	
36	6G8-82575-00	ENGINE STOP SWITCH ASSY COUPE CIRCUIT CPLT	1	1		
37	682-82556-00	.STOPPER .PLAQUETTE	1	1		
38	6G8-81949-00	WIRE, LEAD FIL	1			



6G80100-9290

FIG. 28 ELECTRICAL 2

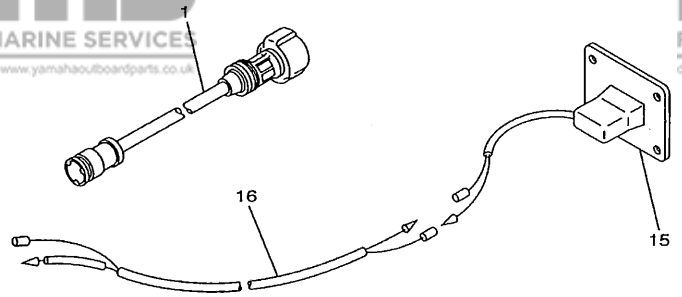
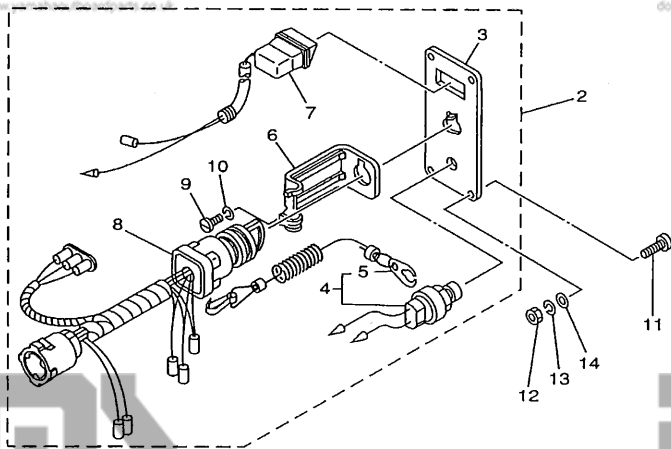
PARTIE ELECTRIQUE 2

REF. NO.	PART NO. NO. PIECES	DESCRIPTION DESCRIPTION	MH	U	W	REMARKS REMARQUES
1	6J0-81941-10	STARTER RELAY ASSY LANCEUR RELAIS (ENS.)		1	1	
2	6G1-81952-00	HOLDER, RELAY SUPPORT, RELAIS		1	1	
3	6G8-81953-00	STAY, RELAY SUPPORT, RELAIS		1	1	
4	97095-06012	BOLT BOULON		1	1	
5	92995-06600	WASHER RONDELLE		1	1	
6	6G8-81870-00	STARTING SWITCH ASSY CONTACT A CLEF		1		
7	6G8-82105-01	WIRE HARNESS FAISCEAU DE FILS		1		
8	6G8-82117-00	WIRE, LEAD FIL		1	1	
9	6G8-82150-00	FUSE HOLDER ASSY SUPPORT DE FUSIBLE		1	1	
10	663-82151-00	.FUSE (12V-20A) .FUSIBLE (12V-20A)		1	1	
11	6H3-82540-00	NEUTRAL SWITCH ASSY CONTACTEUR DE POINT-MORT		1	1	
12	6G8-82554-00	STAY, NEUTRAL SWITCH SUPPORT, CONT DE POINT-MORT		1	1	
13	97095-06012	BOLT BOULON		1	1	
14	92995-06600	WASHER RONDELLE		1	1	
15	6G8-82560-00	WIRE HARNESS ASSY 2 FAISCEAU DE FILS 2 CPLT		1		
16	6G8-82590-00	.WIRE HARNESS ASSY .FAISCEAU DE FILS COMPLET		1		
17	6G8-82105-01	.WIRE HARNESS .FAISCEAU DE FILS		1		
18	6G8-42724-50	.GROMMET .PASSE-FIL		1		

FIG. 29 ELECTRICAL 3

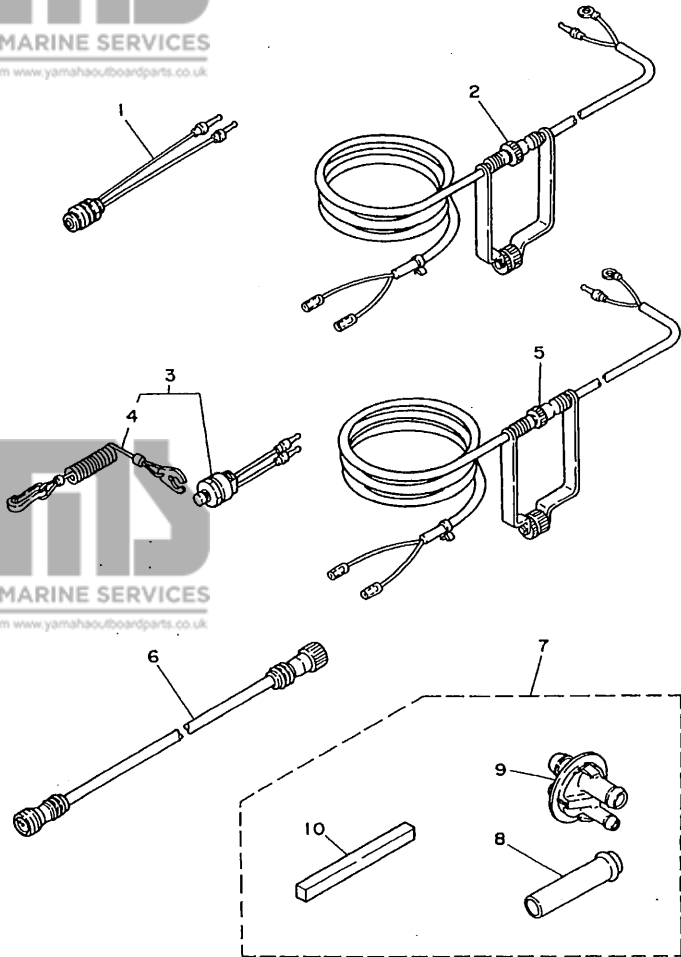
PARTIE ELECTRIQUE 3

REF. NO.	PART NO. NO. PIECES	DESCRIPTION DESCRIPTION	MH	EH	W	REMARKS REMARQUES
1	688-82586-50	EXTENSION, WIRE HARNESS EXTENSION, FAISCEAU DE FILS			1	AP L5M (7P)
2	6G8-82570-02	PANEL SWITCH ASSY PLATINE D'INTERUPEUR CPLT			1	AP
3	6G8-82571-01	.PANEL, SWITCH .TABLEAU, CONTACTEUR			1	
4	688-82575-01	.ENGINE STOP SWITCH ASSY .COUPE CIRCUIT CPLT			1	
5	682-82556-00	.STOPPER .PLAQUETTE			1	
6	663-82581-01	.STAY, CORD CLAMP .SUPPORT, COLLIER DE CORDON			1	
7	6G8-83582-01	.PILOT LIGHT ASSY .LAMPE-TEMOIN COMPLET			1	
8	6G8-82510-00	.MAIN SWITCH ASSY .CONTACTEUR A CLEF COMPLET			1	
9	98903-04008	.SCREW, BIND .VIS, DE PRESSION			1	
10	92903-04100	.WASHER, SPRING .RONDELLE, GROWER			1	
11	90149-05M05	SCREW VIS			4	AP
12	95380-05600	NUT ECROU			4	AP
13	92990-05100	WASHER, SPRING RONDELLE, GROWER			4	AP
14	92990-05600	WASHER, PLATE RONDELLE, PLATE			4	AP
15	6G8-83530-00	PILOT LIGHT ASSY VOLTMETRE CPLT			1	AP
16	6G8-82541-00	WIRE, LEAD FIL			1	AP



6G80100-9300

B4

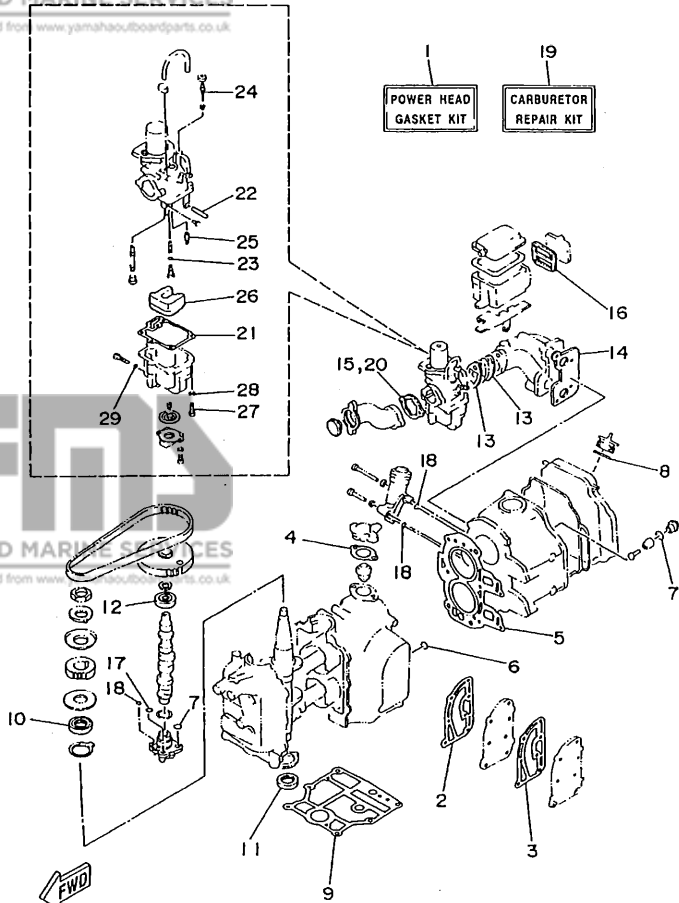


6G80100-9310

FIG. 30 OPTIONAL PARTS

PIECES OPTIONNELLES

REF. NO.	PART NO. NO. PIECES	DESCRIPTION DESCRIPTION	MH	ET	W	REMARKS REMARQUES
1	689-82550-11	ENGINE STOP SWITCH ASSY COMMUTATEUR D'ARRET CPLT			1	
2	6A0-82553-20	EXTENSION, WIRE LEAD EXTENSION, FAISCEAU			1	
3	689-82575-13	ENGINE STOP SWITCH ASSY COUPE CIRCUIT CPLT			1	
4	682-82556-00	.STOPPER .PLAQUETTE			1	
5	6A0-82553-20	EXTENSION, WIRE LEAD EXTENSION, FAISCEAU			1	
6	689-82553-10	EXTENSION, WIRE LEAD EXTENSION, FAISCEAU			1	
7	6G8-W4537-00	WELL-TYPE EXHAUST KIT KIT D'ECHAPPEMENT			1	
8	6G8-14611-00	.PIPE, EXHAUST 1 .COUDE D'ECHAPPEMENT			1	
9	6G8-44391-10	.NIPPLE, HOSE .RACCORD D'ESSENCE			1	
10	6G8-45375-10	.DAMPER, SEAL .BOURRELET, CAOUTCHOUC			1	

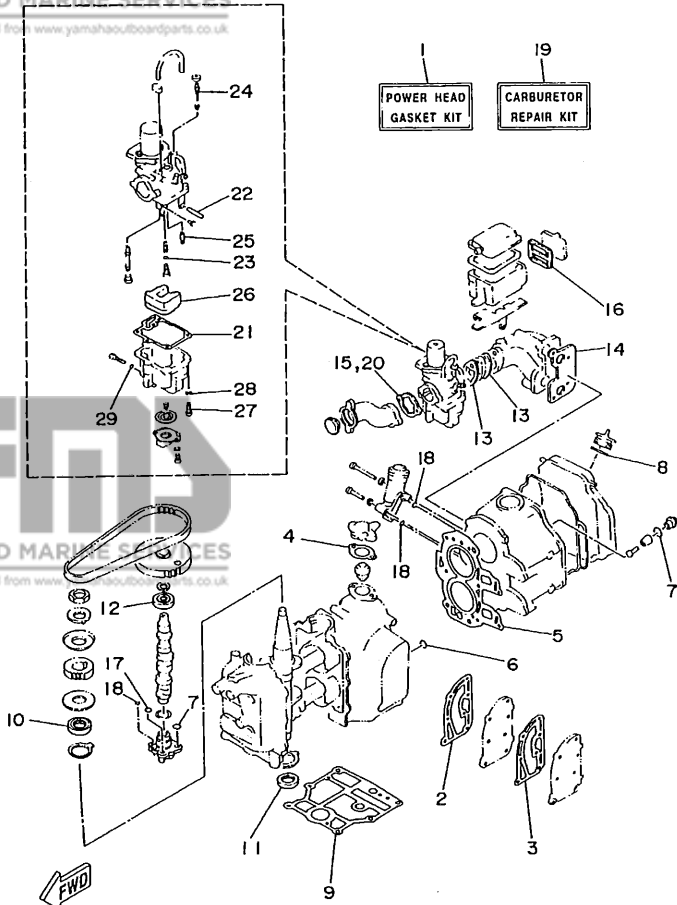


6G90010-4310

FIG. 31 REPAIR KIT 1

KITS DE REPARATION 1

REF. NO.	PART NO. NO. PIECES	DESCRIPTION	MH	IT	U	REMARKS REMARQUES
1	6G8-W0001-A3	POWER HEAD GASKET KIT POCHETTE DE JINTS TETE MOTRICE	1	1	1	
2	6G8-41112-02	.GASKET, EXHAUST INNER COVER JOINT, PLAQUE D'ECHAPPEMENT	1	1	1	
3	6G8-41114-00	.GASKET, EXHAUST OUTER COVER JOINT, COUVERCLE D'ECHAPPEMENT	1	1	1	
4	6G8-12414-A0	.GASKET, COVER JOINT, COUVERCLE	1	1	1	
5	6G8-11181-A1	.GASKET, CYLINDER HEAD 1 JOINT, DE CULASSE 1	1	1	1	
6	93210-11M59	.O-RING JOINT TORIQUE	1	1	1	
7	93210-13M63	.O-RING JOINT TORIQUE	3	3	3	
8	93210-24M79	.O-RING JOINT TORIQUE	1	1	1	
9	6G8-11351-A0	.GASKET, CYLINDER JOINT, D'EMBASE	1	1	1	
10	93102-30M22	.OIL SEAL JOINT SPY	1	1	1	
11	93101-25M24	.OIL SEAL JOINT SPY	1	1	1	
12	93102-18M21	.OIL SEAL JOINT SPY	1	1	1	
13	6G8-13646-A0	.GASKET, MANIFOLD 2 JOINT, TUBULURE 2	2	2	2	
14	6G8-13645-00	.GASKET, MANIFOLD 1 JOINT, TUBULURE 1	1	1	1	
15	6G8-14198-A0	.GASKET JOINT	1	1	1	
16	6G8-15374-00	.GASKET, BREATHER JOINT, RENIFLARD	1	1	1	
17	93210-10M61	.O-RING JOINT TORIQUE	1	1	1	
18	93210-09M01	.O-RING JOINT TORIQUE	3	3	3	
19	6G8-W0093-03	CARBURETOR REPAIR KIT KIT DE REPARATION CARBURATEUR	1	1	1	
20	6G8-14198-A0	.GASKET JOINT	1	1	1	
21	6G8-14384-01	.GASKET, FLOAT CHAMBER JOINT, CUVE DE FLOTTEUR	1	1	1	
22	647-14386-00	.PIN, FLOAT .AXE, FLOTTEUR	1	1	1	
23	654-14198-00	.GASKET JOINT	1	1	1	
24	6G8-14323-00	.SCREW, AIR ADJUSTING .VIS DE DOSEUR D'AIR	1	1	1	
25	6G8-14392-00	.VALVE, NEEDLE .POINTEAU	1	1	1	
26	6G8-14385-00	.FLOAT .FLOTTEUR	1	1	1	
27	98580-04016	.SCREW, PAN HEAD .VIS, TETE TRONCONIQUE	1	1	1	

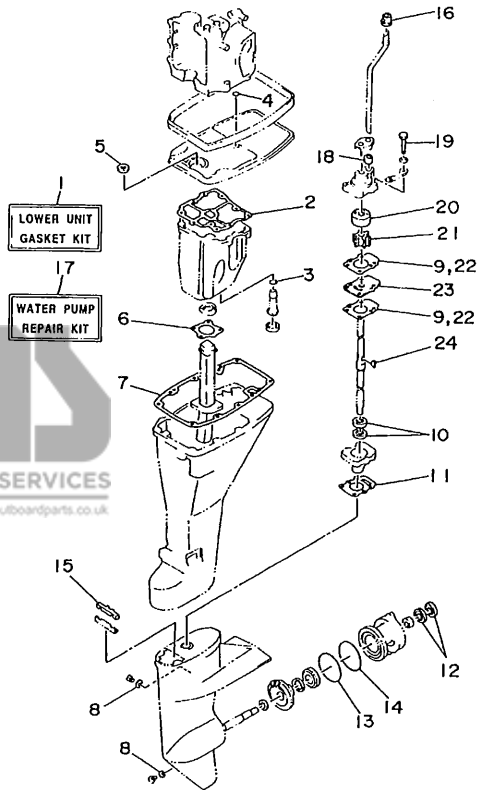


6G90010-4310

FIG. 31 REPAIR KIT 1

KITS DE REPARATION 1

REF. NO.	PART NO. NO. PIECES	DESCRIPTION DESCRIPTION	MH	CH	W	REMARKS REMARQUES
28	92990-04100	.WASHER, SPRING .RONDELLE, GROUVER	1	1	1	
29	5Y1-14397-00	.O-RING .JOINT TORIQUE	1	1	1	



6G80100-4330

FIG. 32 REPAIR KIT 2

KITS DE REPARATION 2

REF. NO.	PART NO. NO. PIECES	DESCRIPTION DESCRIPTION	MH	EH	W	REMARKS REMARQUES
1	6G8-W0001-C6	LOWER UNIT GASKET KIT POCHETTE DE JOINTS EMBASE	1	1	1	
2	6G8-15312-A1	.GASKET, OIL PAN .JOINT DE VENTILATEUR D'HUILE	1	1	1	
3	93210-16M64	.O-RING .JOINT TORIQUE	1	1	1	
4	93210-08M60	.O-RING .JOINT TORIQUE	1	1	1	
5	93101-13M27	.OIL SEAL .JOINT SPY	1	1	1	
6	6G8-41133-A0	.GASKET, EXHAUST MANIFOLD 1 .JOINT, PIPE D'ECHAPPEMENT	1	1	1	
7	6G8-45113-A1	.GASKET, UPPER CASING .JOINT, TUBE D'ARBRE	1	1	1	
8	90430-08020	.GASKET .JOINT	3	3	3	
9	682-44315-A0	.GASKET, WATER PUMP .JOINT, POMPE A EAU	2	2	2	
10	93101-20048	.OIL SEAL .JOINT SPY	2	2	2	
11	6G8-45315-A0	.PACKING, LOWER CASING .JOINT, BOITIER D'HELICE	1	1	1	
12	93101-17054	.OIL SEAL .JOINT SPY	2	2	2	
13	93210-74M68	.O-RING .JOINT TORIQUE	1	1	1	
14	93210-74316	.O-RING .JOINT TORIQUE	1	1	1	
15	682-45375-01	.DAMPER, SEAL .BOURRELET, CAOUTCHOUC	1	1	1	
16	626-44365-01	.DAMPER, WATER SEAL .JOINT, TUBE D'EAU	1	1	1	
17	682-W0078-A2	WATER PUMP REPAIR KIT KIT DE REPARATION DE LA POMPE	1	1	1	
18	682-44365-00	.DAMPER, WATER SEAL .JOINT, TUBE D'EAU	1	1	1	
19	97095-06045	BOLT .BOULON	4	4	4	
20	682-44322-00	.INSERT, CARTRIDGE .CUVETTE	1	1	1	
21	682-44352-01	.IMPELLER .TURBINE	1	1	1	
22	682-44315-A0	.GASKET, WATER PUMP .JOINT, POMPE A EAU	2	2	2	
23	682-44323-00	.OUTER PLATE, CARTRIDGE .PLAQUE EXTERIEURE	1	1	1	
24	90280-03024	.KEY, WOODRUFF .CLAVETTE, DEMI-LUNE	1	1	1	



PART NO. NO. PIECES	REF. NO.
682-82556-00	30 - 4
6G8-82570-02	29 - 2
6G8-82571-01	29 - 3
6G8-82575-00	27 - 36
688-82575-01	20 - 47
	29 - 4
	30 - 3
689-82575-13	28 - 15
6G8-82580-00	29 - 6
688-82581-01	20 - 49
688-82586-21	29 - 1
688-82586-50	28 - 16
6G8-82590-00	20 - 54
703-82591-00	20 - 55
703-82592-00	29 - 15
6G8-83530-00	27 - 18
6G8-83582-01	29 - 7
	25 - 2
6G8-85510-01	27 - 12
6G8-85525-00	27 - 1
6G8-85540-23	27 - 9
6G8-85542-00	25 - 1
6G8-85550-01	25 - 1
6G8-85550-11	25 - 1
6G8-85561-00-94	25 - 3
6G8-85570-21	27 - 4
6G8-85580-02	25 - 5
90101-08M88	13 - 66
90105-06M33	7 - 14
	22 - 17
90105-08M36	1 - 30
90105-08M37	1 - 29
90109-06M25	13 - 10
90116-06M15	4 - 7
90116-06M26	5 - 29
90116-08M19	22 - 36
90116-08M28	13 - 46
90119-06M06	13 - 33
90119-06M12	1 - 5
90119-06M55	12 - 4
90119-06M56	12 - 3
90119-08M18	1 - 4
90149-05M05	29 - 11
90157-05M16	10 - 6
90157-06M04	22 - 33
90159-05M06	16 - 21
90159-06M05	4 - 17
90170-06015	16 - 42
90170-09M03	18 - 9

PART NO. NO. PIECES	REF. NO.
90170-12066	25 - 20
90170-24M09	6 - 4
90171-10M07	24 - 16
90179-08M06	23 - 29
90185-05002	24 - 10
90185-08057	13 - 52
	13 - 68
	18 - 4
90185-09M01	18 - 10
90185-20M03	15 - 29
90185-22043	13 - 19
90201-06M00	2 - 7
90201-06M31	12 - 17
	13 - 27
90201-06M94	6 - 10
	16 - 10
90201-06049	15 - 18
90201-08MA4	13 - 69
90201-08M12	13 - 47
90201-10M04	18 - 5
90201-10M20	18 - 11
90201-10M63	18 - 7
90201-10M76	14 - 28
90201-12472	25 - 21
90201-13201	6 - 8
90201-17682	23 - 33
90201-20M00	15 - 28
90201-22M03	13 - 18
90201-31MA3	24 - 20
90202-06007	15 - 19
90202-10M03	22 - 7
90202-20M33	15 - 30
90206-08M13	12 - 19
90206-10M15	13 - 13
90206-12052	16 - 7
90206-20M14	15 - 27
90209-45M09	13 - 35
90243-04M01	13 - 4
90249-06M20	14 - 11
90250-05010	23 - 38
90266-04M04	11 - 5
90269-02M09	15 - 23
90280-03M01	6 - 7
90280-03024	23 - 14
	32 - 24
90280-05013	25 - 19
90340-08M04	23 - 4
90386-05M54	16 - 11

NUMERICAL INDEX
INDEX NUMERIQUE

PART NO. NO. PIECES	REF. NO.
90386-08M49	12 - 16
90386-10M70	22 - 5
90386-12069	16 - 6
90386-20M94	14 - 8
90386-22M92	13 - 16
90386-22M93	13 - 17
90386-33M56	15 - 26
90386-37M47	13 - 37
90386-37M48	13 - 39
90387-06M09	14 - 1
90387-06M15	12 - 5
90387-06M20	14 - 17
90387-06M58	16 - 26
90387-06M70	27 - 24
90387-06M71	25 - 18
90387-06M72	12 - 18
90387-06M73	17 - 10
90387-10M06	18 - 6
90387-13M56	3 - 14
90430-08020	23 - 5
	32 - 8
90445-05ME6	12 - 26
90445-09M00	9 - 26
90445-09065	4 - 31
	9 - 6
	9 - 24
	9 - 21
90445-09105	12 - 10
90445-09163	1 - 28
90445-09220	1 - 28
90445-10M78	12 - 35
90445-11M52	4 - 30
90445-11M66	1 - 21
90445-24M00	16 - 14
90446-10M02	27 - 20
90460-38M06	13 - 49
90465-08M75	4 - 33
	4 - 36
	27 - 32
	27 - 35
90465-13M11	9 - 7
90467-08004	9 - 22
	12 - 39
90467-10M04	12 - 2
90480-09M35	27 - 25
90480-13M24	27 - 17
90480-15M31	25 - 17
90480-17165	12 - 6
90480-19031	12 - 25
90480-25161	27 - 5

PART NO. NO. PIECES	REF. NO.
90501-10071	13 - 65
90501-12M40	3 - 15
90501-12M41	3 - 16
90501-14M06	23 - 40
90501-18M00	13 - 26
90501-23M42	15 - 16
90506-29M16	14 - 21
90508-18M33	14 - 7
91490-16010	12 - 33
	16 - 4
	16 - 46
91490-16012	8 - 29
91490-25020	16 - 37
91490-30025	24 - 17
91690-30012	13 - 64
91790-05020	16 - 44
92580-06016	14 - 23
92902-05100	8 - 20
92902-06200	8 - 28
92903-04100	29 - 10
92903-04600	9 - 13
92903-06100	7 - 11
	8 - 16
92903-06200	11 - 8
92903-06600	1 - 13
	1 - 15
	1 - 33
	6 - 24
	6 - 26
	16 - 9
	22 - 12
	27 - 34
92903-08600	26 - 22
92990-04100	5 - 23
	5 - 38
	31 - 28
92990-04200	4 - 25
92990-05100	25 - 7
	29 - 13
92990-05200	16 - 5
92990-05600	4 - 15
	7 - 6
	16 - 45
	25 - 8
	29 - 14
92990-06100	5 - 18
	9 - 18
92990-06300	21 - 25

PART NO. NO. PIECES	REF. NO.
92990-06300	24 - 6
92990-06600	4 - 3
	9 - 19
	13 - 12
	14 - 4
	25 - 10
	25 - 12
	27 - 27
92990-08600	20 - 34
	22 - 38
92995-05600	15 - 9
92995-06100	27 - 30
92995-06600	4 - 9
	6 - 19
	8 - 41
	12 - 22
	12 - 28
	13 - 43
	13 - 58
	13 - 60
	15 - 12
	15 - 14
	16 - 19
	16 - 40
	17 - 6
	17 - 8
	17 - 16
	17 - 20
	17 - 23
	22 - 22
	23 - 22
	23 - 48
	27 - 3
	27 - 7
	27 - 11
	27 - 23
	27 - 31
	28 - 5
	28 - 14
92995-08600	8 - 37
	13 - 45
	13 - 67
	18 - 3
	22 - 28
	24 - 3
	26 - 17
	26 - 19
93101-13M27	22 - 9

PART NO. NO. PIECES	REF. NO.
93101-13M27	32 - 5
93101-17054	23 - 45
	32 - 12
93101-20048	23 - 18
	32 - 10
93101-25M24	2 - 3
	31 - 11
93102-18M21	6 - 12
	31 - 12
93102-30M22	2 - 2
	31 - 10
93210-08M60	22 - 4
	32 - 4
93210-09M01	6 - 16
	6 - 22
	31 - 18
93210-10M61	6 - 15
	31 - 17
93210-11M59	1 - 35
	31 - 6
93210-12M62	7 - 2
93210-13M63	1 - 45
	6 - 17
	31 - 7
93210-16M64	7 - 16
	32 - 3
93210-16275	18 - 12
93210-20M65	9 - 20
93210-24M79	1 - 47
	31 - 8
93210-27ME3	6 - 14
93210-37M67	13 - 38
93210-74M68	23 - 46
	32 - 13
93210-74316	23 - 42
	32 - 14
93306-00501	23 - 43
93315-213V4	23 - 7
93315-317U2	23 - 44
93332-00005	23 - 6
93341-313U3	23 - 28
93430-04M03	17 - 11
93430-05027	14 - 12
	14 - 20
93430-06024	20 - 10
	20 - 62
	21 - 35
93450-09M01	1 - 24



G3



PART NO. NO. PIECES	REF. NO.
93450-10M04	24 - 21
93450-15023	2 - 12
93604-08062	23 - 3
93605-15065	13 - 32
93606-12019	22 - 10
	22 - 26
	22 - 39
	23 - 20
	24 - 1
93700-06M03	13 - 23
	15 - 5
94701-00282	1 - 48
95023-06025	25 - 4
95303-06700	11 - 7
95333-08700	8 - 11
95380-04600	16 - 29
95380-05600	20 - 7
	29 - 12
95380-06600	14 - 24
	20 - 40
	21 - 44
95380-06700	4 - 2
	4 - 10
	13 - 61
	14 - 3
	15 - 20
	16 - 43
	27 - 26
95380-08600	22 - 37
95380-10700	14 - 27
	22 - 6
95680-06100	13 - 11
95895-06020	24 - 5
97013-06010	7 - 10
97013-06012	27 - 33
97013-06016	6 - 9
	12 - 15
	16 - 8
97013-06020	22 - 11
97013-06025	1 - 12
97013-06030	1 - 14
	6 - 25
	16 - 25
97013-06035	1 - 32
97013-06050	6 - 23
97013-08030	26 - 21
97075-08025	18 - 2
	26 - 16

PART NO. NO. PIECES	REF. NO.
97075-08030	8 - 36
97075-08035	24 - 2
97080-06018	21 - 22
97095-05012	15 - 8
97095-06012	8 - 40
	13 - 42
	17 - 7
	22 - 21
	28 - 4
	28 - 13
97095-06014	16 - 39
97095-06016	12 - 21
	12 - 27
	16 - 18
	17 - 15
	17 - 19
	17 - 22
97095-06020	23 - 47
	27 - 2
	27 - 10
	27 - 29
97095-06025	6 - 18
	13 - 29
	15 - 11
	27 - 6
	27 - 22
97095-06030	17 - 5
97095-06040	15 - 13
97095-06045	4 - 8
	13 - 57
	23 - 21
	32 - 19
97095-06095	13 - 59
97095-06135	14 - 2
97095-08016	26 - 18
97095-08030	13 - 44
97095-08040	22 - 27
97095-10020	14 - 26
97305-06025	8 - 15
97322-05012	8 - 19
97380-05025	20 - 8
97395-08030	20 - 33
97513-06520	1 - 20
	1 - 41
97595-06520	9 - 3
97780-40112	23 - 10
97780-40512	4 - 20
	4 - 24

NUMERICAL INDEX
INDEX NUMERIQUE

PART NO. NO. PIECES	REF. NO.
97780-40512	4 - 27
97780-50510	23 - 52
97880-05012	7 - 5
	25 - 6
97880-05016	4 - 14
97880-05025	1 - 43
97880-06020	25 - 11
97880-06025	9 - 17
	25 - 9
97880-06030	15 - 17
97890-05006	5 - 32
98180-05025	24 - 9
98503-04014	9 - 12
98507-04010	4 - 28
98580-03015	20 - 38
98580-04006	20 - 36
98580-04010	5 - 37
	20 - 35
	5 - 22
98580-04016	31 - 27
	20 - 37
98580-05010	21 - 17
	21 - 32
98580-05020	21 - 42
98580-05555	21 - 28
98580-06018	5 - 17
98780-03008	9 - 11
98780-05016	15 - 3
98780-06025	21 - 20
98813-03100	5 - 40
98903-04008	29 - 9
98980-06008	27 - 14
99510-10114	1 - 3
	1 - 31
99530-08012	25 - 13

PART NO. NO. PIECES	REF. NO.
97780-40512	4 - 27
97780-50510	23 - 52
97880-05012	7 - 5
	25 - 6
97880-05016	4 - 14
97880-05025	1 - 43
97880-06020	25 - 11
97880-06025	9 - 17
	25 - 9
97880-06030	15 - 17
97890-05006	5 - 32
98180-05025	24 - 9
98503-04014	9 - 12
98507-04010	4 - 28
98580-03015	20 - 38
98580-04006	20 - 36
98580-04010	5 - 37
	20 - 35
	5 - 22
98580-04016	31 - 27
	20 - 37
98580-05010	21 - 17
	21 - 32
98580-05020	21 - 42
98580-05555	21 - 28
98580-06018	5 - 17
98780-03008	9 - 11
98780-05016	15 - 3
98780-06025	21 - 20
98813-03100	5 - 40
98903-04008	29 - 9
98980-06008	27 - 14
99510-10114	1 - 3
	1 - 31
99530-08012	25 - 13

PART NO. NO. PIECES	REF. NO.
------------------------	-------------