

**PARTS  
CATALOGUE  
CATALOGUE  
DE PIECES DETACHEES**

**F4A'98(67D)**

---

2W67D-300F1

**YAMAHA**  
**GENUINE**  
Parts & Accessories

This Parts Catalogue is related to the parts for the model(s) in the below frame. When you are ordering replacement parts, please refer to this Parts Catalogue and quote both part numbers and part names correctly.

F4A'98(67D)

1. Modifications or additions which have been made after issue of the Parts Catalogue will be announced in the Yamaha Parts News. It is advisable that you make necessary corrections to the Parts Catalogue according to the Yamaha Parts News.

2. Abbreviations

The Following abbreviations are used in this Parts Catalogue.

- "UR" Use specified parts number.
- "UN" Use as many as needed.
- "AP" Alternate Parts
- "LM" Local Made  
(Parts need to be ordered locally)
- "O/S" Over Size

3. Parts, which are to be supplied in an assembly, are listed with a dot(.) in front of the part name as shown below.

EXAMPLE

- CARBURETOR ASSY
- .JET, PILOT
- .NOZZLE, MAIN

4. Number of component for assembly

The numeral appearing to the right of each component part indicates the quantity of parts for each assembly unit.

EXAMPLE

PART NO.	DESCRIPTION	E	U	L	M	O/S	REMARKS
6E0-85500-70	C.D.I. MAGNETO ASSY	1					
6E0-85550-70	.ROTOR ASSY	1					
6E0-15723-00-94..	PULLY, STARTER	1					

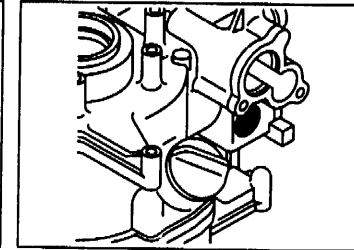
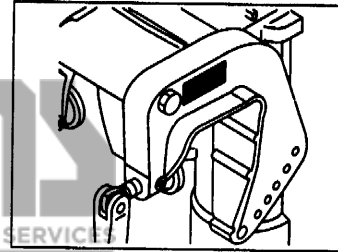
5. Quantity Column Information

NAME for Q'TY COLUMN	APPLICABLE MODEL
MH	F4AMH

6. Applicable Serial No. and Color Code

1) Engine Sserial No.

F4AMH	S : 000101 ~ L : 300101 ~	
-------	------------------------------	--



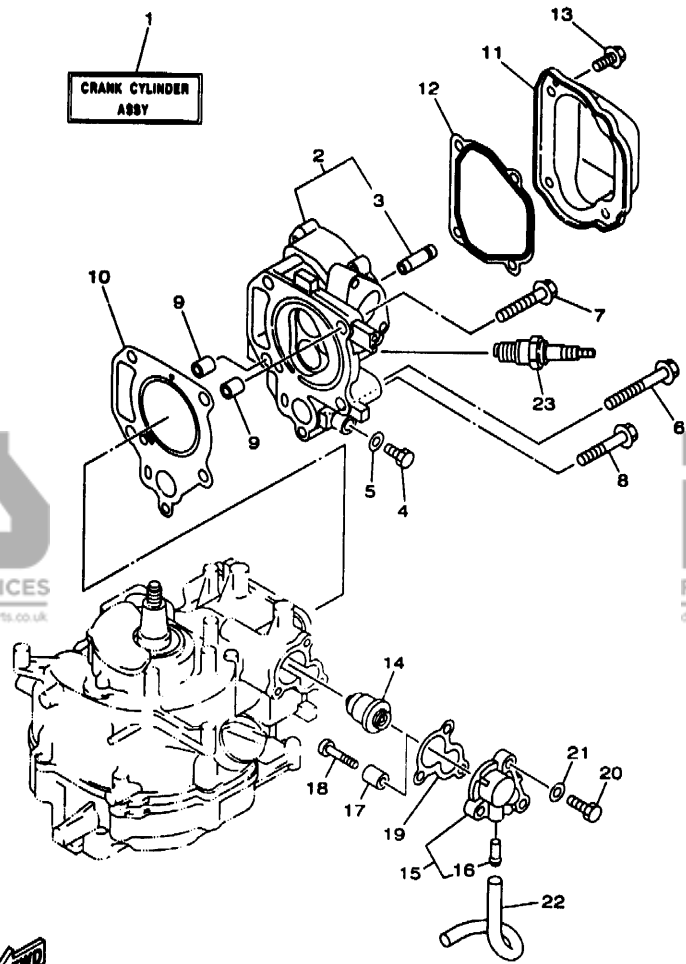
2) Color Code

Color Code	Color Name	Abbreviation
004D	DARK BLUISH GRAY METALLIC 2	DBNM2

7. Note that the illustrations for reference in funding parts numbers, not to be used for assembling. When assembling, pleas use the applicable service manual.

8. The asterisk (\*) before a reference number indicates modification items after the first edition.

CYLINDER. CRANKCASE 1 .....	A4
CYLINDER. CRANKCASE 2 .....	A5
CRANKSHAFT. PISTON .....	A7
VALVE .....	B1
INTAKE .....	B2
CARBURETOR .....	B3
STARTER .....	B4
FUEL 1 .....	B5
FUEL 2 .....	B6
TOP COWLING .....	C1
BOTTOM COWLING .....	C2
BRACKET 1 .....	C3
STEERING .....	C5
CONTROL .....	C6
UPPER CASING .....	C7
LOWER CASING. DRIVE 1 .....	D1
LOWER CASING. DRIVE 2 .....	D3
GENERATOR .....	D4
REPAIR KIT 1 .....	D5
REPAIR KIT 2 .....	D6
<b>INDEX</b>	
NUMERICAL INDEX .....	D7



**67DJA-8010**

**FIG. 1 CYLINDER. CRANKCASE 1 CYLINDRE. CARTER 1**

REF. NO.	PART NO. NO. PIECES	DESCRIPTION DESCRIPTION	F4A	REMARKS REMARQUES
1	87D-W0090-00-1S	CRANK CYLINDER ASSY EMBIELLAGE CYLINDRE (ENS.) ( REF.NO. 2-21, FIG.2, REF.NO. 1-3, 5-29, FIG.3, REF.NO. 1-8, FIG.4, REF.NO. 1-14, FIG.5, REF.NO. 12, FIG.15, REF.NO. 2 )	1	
2	87D-11111-00-94	HEAD, CYLINDER 1 CULASSE	1	
3	87D-11133-10	.GUIDE, INTAKE VALVE .GUIDE, SOUP D'ADM	2	
4	97095-08014	BOLT BOULON	1	
5	90430-08143	GASKET JOINT	1	
6	90105-08M81	BOLT, WASHER BASED BOULON, AVEC RONDELLE	3	
7	90105-08M80	BOLT, WASHER BASED BOULON, AVEC RONDELLE	1	
8	90105-08M25	BOLT, WASHER BASED BOULON, AVEC RONDELLE	1	
9	99510-10114	FIN, DOWEL GOUJON, D'ASSEMBLAGE	2	
10	67D-11181-A0	GASKET, CYLINDER HEAD 1 JOINT, DE CULASSE 1	1	
11	67D-11191-00	COVER, CYLINDER HEAD 1 COUVERCLE, CULASSE 1	1	
12	67D-11193-A0	GASKET, HEAD COVER 1 JOINT, COUVERCLE DE CULASSE 1	1	
13	90105-08M14	BOLT FLANGE BOULON, AVEC RONDELLE	4	
14	66M-12411-00	THERMOSTAT THERMOSTAT	1	
15	67D-12413-00-1S	COVER, THERMOSTAT COUVERCLE, THERMOSTAT	1	
16	650-24378-00	.PIPE, JOINT 4 .DURITE RACCORDEMENT 4	1	
17	6G8-11325-00	ANODE ANODE	1	
18	97880-05025	SCREW, PAN HEAD VIS, TETE TRONCONIQUE	1	
19	67D-12414-A0	GASKET, COVER JOINT, COUVERCLE	1	
20	97095-06020	BOLT BOULON	3	
21	92995-06600	WASHER RONDELLE	3	
22	90445-09M00	HOSE DURITE	1	
23	94702-00248	PLUG, SPARK (NGK BR6HS) BOUGIE D,ALLUMAGE (NGK BR6HS)	1	

**A4**

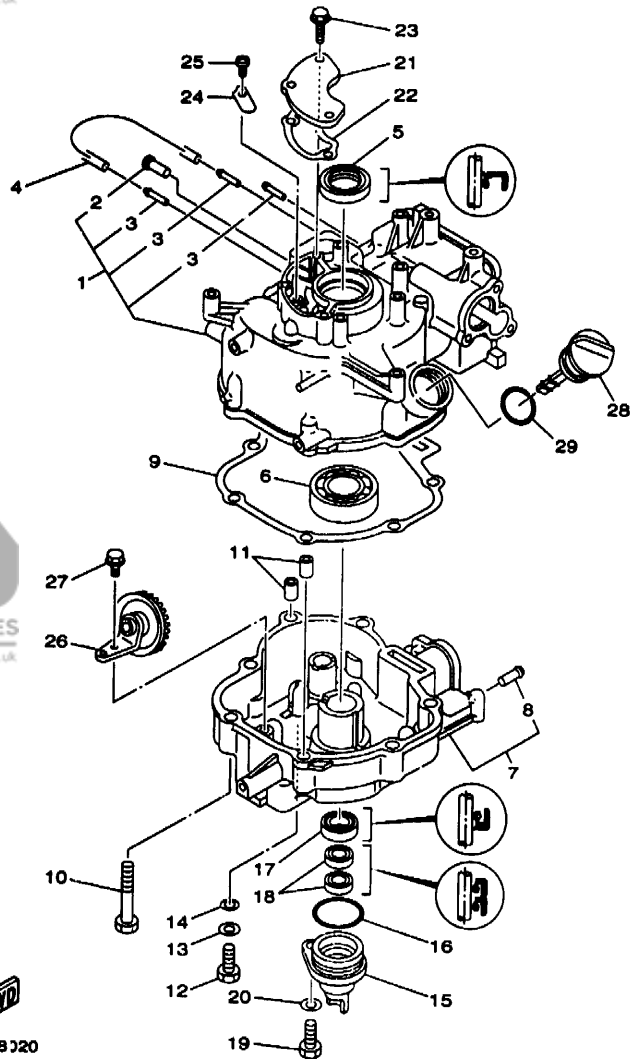


FIG. 2 CYLINDER, CRANKCASE 2 CYLINDRE, CARTER 2

REF. NO.	PART NO. NO. PIECES	DESCRIPTION DESCRIPTION	F4A	REMARKS REMARQUES
1	67D-11311-00-94	CYLINDER 1 CYLINDRE 1	1	
2	650-24378-00	.PIPE, JOINT 4 .DURITE RACCORDEMENT 4	1	
3	6H1-14485-00	.PIPE, JOINT .DURITE	3	
4	90445-07M02	HOSE DURITE	1	
5	93102-25090	OIL SEAL JOINT SPY	1	
6	93306-205U8	BEARING ROULEMENT	1	
7	67D-15111-00-94	CRANKCASE 1 CARTER DE MOTEUR	1	
8	650-24378-00	.PIPE, JOINT 4 .DURITE RACCORDEMENT 4	1	
9	67D-11351-A0	GASKET, CYLINDER JOINT, D'EMBASE	1	
10	97575-08550	BOLT, WITH WASHER VIS HEXAGONAL	7	
11	99510-10114	PIN, DOWEL GOUJON, D'ASSEMBLAGE	2	
12	97095-08020	BOLT BOULON	1	
13	92995-08600	WASHER RONDELLE	1	
14	90430-08209	GASKET JOINT	1	
15	67D-15396-00-5B	HOUSING, OIL SEAL LOGEMENT DE JOINT SPY	1	
16	93210-35537	O-RING JOINT TORIQUE	1	
17	93102-20108	OIL SEAL JOINT SPY	1	
18	93101-10M25	OIL SEAL JOINT SPY	2	
19	97095-08020	BOLT BOULON	1	
20	92995-08600	WASHER RONDELLE	1	
21	67D-11168-00	COVER, BREATHER COUVERCLE, RENIFLARD	1	
22	67D-11169-A0	GASKET, BREATHER COVER JOINT, COUVERCLE DE RENIFLARD	1	
23	90119-06M80	BOLT, WITH WASHER BOULON, AVEC RONDELLE	3	
24	6G8-15346-00	BREATHER 1 RENIFLARD 1	1	
25	98503-04006	SCREW, PAN HEAD VIS, TETE TRONCONIQUE	1	
26	7LY-13102-00	GEAR UNIT ASSY PIGNON	1	
27	95817-08012	BOLT, FLANGE BOULON, A COLLERETTE	1	

A5

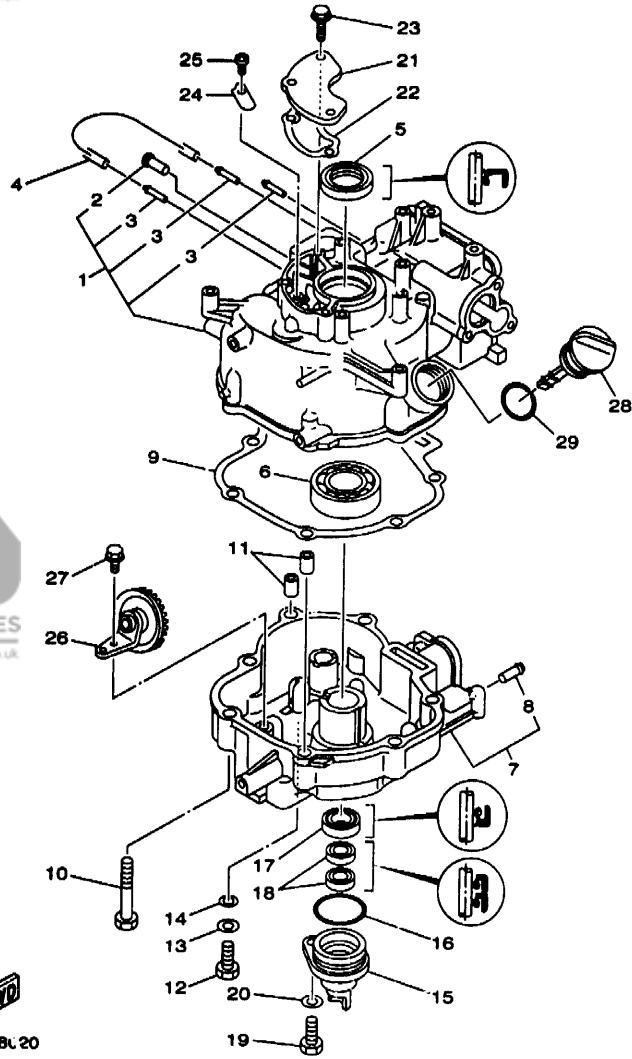


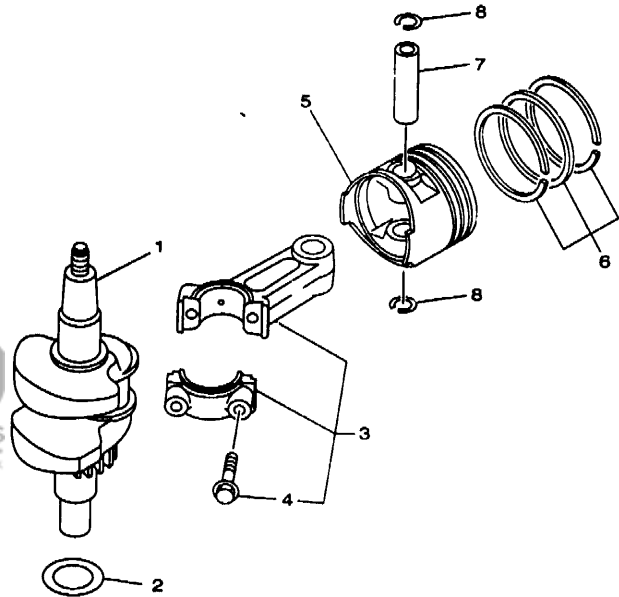
FIG. 2 CYLINDER. CRANKCASE 2 CYLINDRE. CARTER 2

REF. NO.	PART NO. NO. PIECES	DESCRIPTION DESCRIPTION	F4A	REMARKS REMARQUES
28	87D-15382-00	PLUG, OIL LEVEL PLOT, NIVEAU D'HUILE	1	
29	93210-24M79	O-RING JOINT TORIQUE	1	
-----				
-----				
-----				
-----				
-----				
-----				
-----				
-----				
-----				
-----				

A6

**FIG. 3 CRANKSHAFT. PISTON**

**VILEBREQUIN. PISTON**



REF. NO.	PART NO. NO. PIECES	DESCRIPTION DESCRIPTION	F4A	REMARKS REMARQUES
1	67D-11400-00	CRANKSHAFT ASSY VILEBREQUIN COMPLET	1	
2	90201-266P2	WASHER, PLATE RONDELLE, PLATE	1	
3	67D-11650-00	CONNECTING ROD ASSY BIELLE COMPLETE	1	
4	67D-11654-00	.BOLT, CONNECTING ROD .BOULON, BIELLE	2	
5	67D-11631-00-96	PISTON (STD) PISTON (STD)	1	
	67D-11635-00	PISTON (0.25MM O/S)	1	AP
	67D-11636-00	PISTON (0.25MM O/S) PISTON (0.50MM O/S)	1	AP
6	67D-11603-00	PISTON RING SET (STD) JUE DE SEGMENTS (STD)	1	
	67D-11604-00	PISTON RING SET (0.25MM O/S) JUE DE SEGMENTS (0.25MM O/S)	1	AP
	67D-11605-00	PISTON RING SET (0.50MM O/S) JUE DE SEGMENTS (0.50MM O/S)	1	AP
7	67D-11633-00	PIN, PISTON AXE, PISTON	1	
8	93450-14088	CIRCLIP CIRCLIP, TYPE S	2	

**FWD**  
67DJA-8030

**A7**

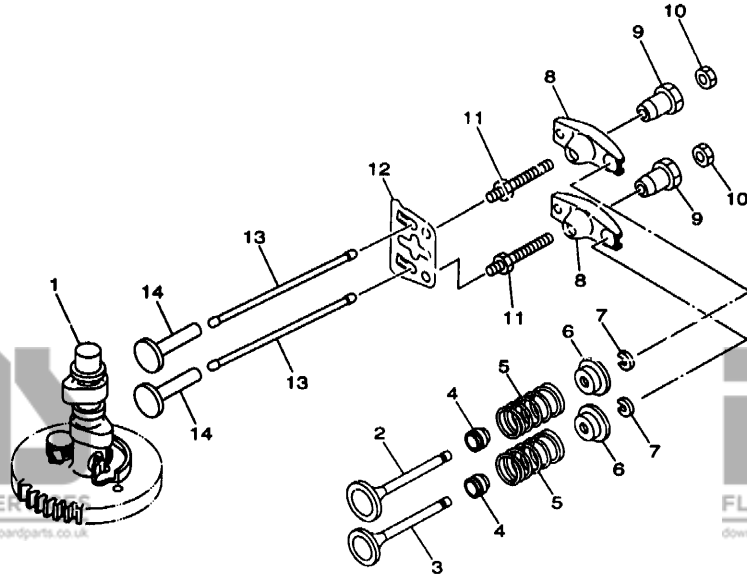


FIG. 4 VALVE

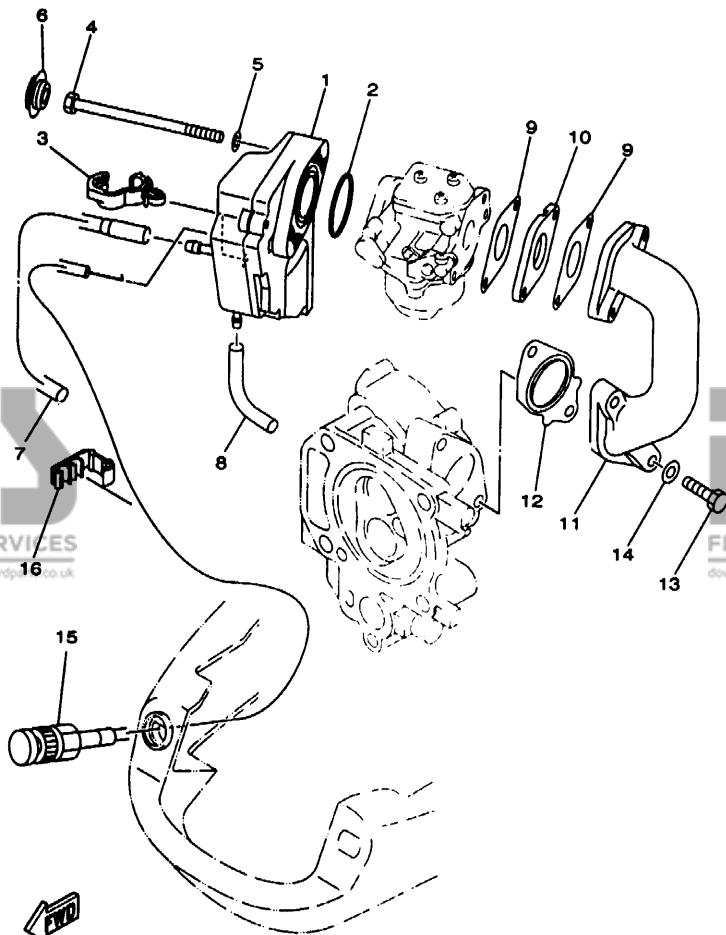
SOUPAPE

REF. NO.	PART NO. NO. PIECES	DESCRIPTION DESCRIPTION	FAA			REMARKS REMARQUES
1	67D-12170-00	CAMSHAFT ASSY 1 ENS ARBRE A CAMES 1	1			
2	67D-12111-00	VALVE, INTAKE SOUPAPE, ADMISSION	1			
3	67D-12121-00	VALVE, EXHAUST SOUPAPE, ECHAPPEMENT	1			
4	51Y-12119-00	SEAL, VALVE STEM JOINT, QUEUE DE SOUPAPE	2			
5	67D-12113-00	SPRING, VALVE INNER RESSORT DE SOUPAPE INTERNE	2			
6	7NJ-12117-00	RETAINER, VALVE SPRING BUTEE DE RESSORT DE SOUPAPE	2			
7	7NJ-12118-00	COTTER, VALVE FRAISE, SOUPAPE	2			
8	67D-12151-00	ARM, VALVE ROCKER CULBUTEUR	2			
9	7FK-12165-00	PIVOT, ROCKER ARM PIVOT, CULBUTEUR	2			
10	7FK-12158-00	NUT, LOCK CONTRE-ECROU	2			
11	67D-12157-00	BOLT BOULON	2			
12	67D-12155-00	GUIDE, PUSH ROD GUIDE, TIGE-POUSSOIR	1			
13	7FK-12154-00	ROD, VALVE PUSH TIGE DE LEVE-SOUPAPE	2			
14	JA9-12153-00	LIFTER, VALVE LEVE-SOUPAPE	2			

  
67DJA-8040

**B1**





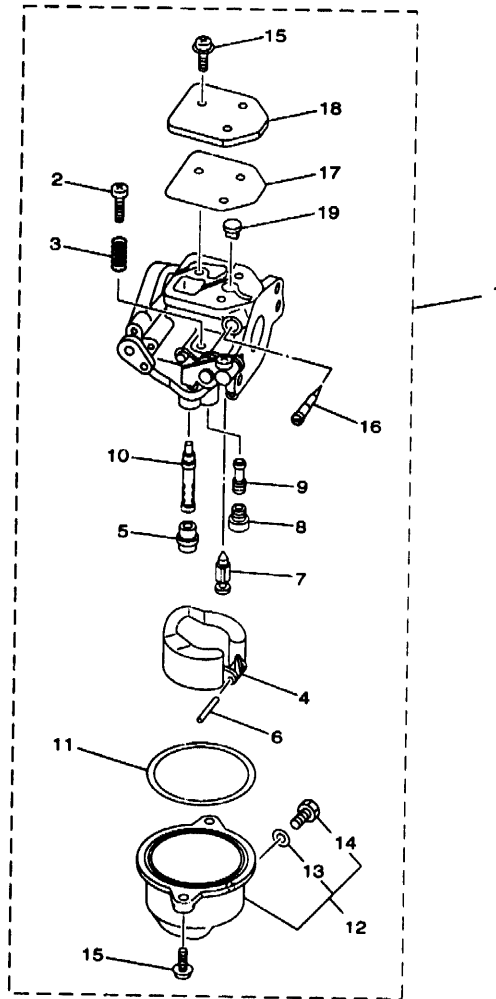
87DJA-8050

**FIG. 5 INTAKE**

**ADMISSION**

REF. NO.	PART NO. NO. PIECES	DESCRIPTION DESCRIPTION	F/A	REMARKS REMARQUES
1	67D-14440-00	SILENCER ASSY, INTAKE SIENCIEUX D'ADMISSION	1	
2	93210-31114	O-RING JOINT TORIQUE	1	
3	90464-13249	CLAMP BRIDE	1	
4	97095-06090	BOLT BOULON	2	
5	92995-06600	WASHER RONDELLE	2	
6	90480-18M74	GROMMET PASSE-FIL	2	
7	90445-09M41	HOSE DURITE	1	
8	90445-07M28	HOSE DURITE	1	
9	67D-13646-A0	GASKET, MANIFOLD 2 JOINT, TUBULURE 2	2	
10	67D-13647-00	GASKET, MANIFOLD 3 JOINT, TUBULURE 3	1	
11	67D-13641-00-94	MANIFOLD 1 TUBULURE 1	1	
12	67D-13645-A0	GASKET, MANIFOLD 1 JOINT, TUBULURE 1	1	
13	97095-06025	BOLT BOULON	2	
14	92995-06600	WASHER RONDELLE	2	
15	67D-26330-00	STARTER CABLE ASSY CABLE DE STARTER	1	
16	90464-05122	CLAMP BRIDE	1	

**B2**



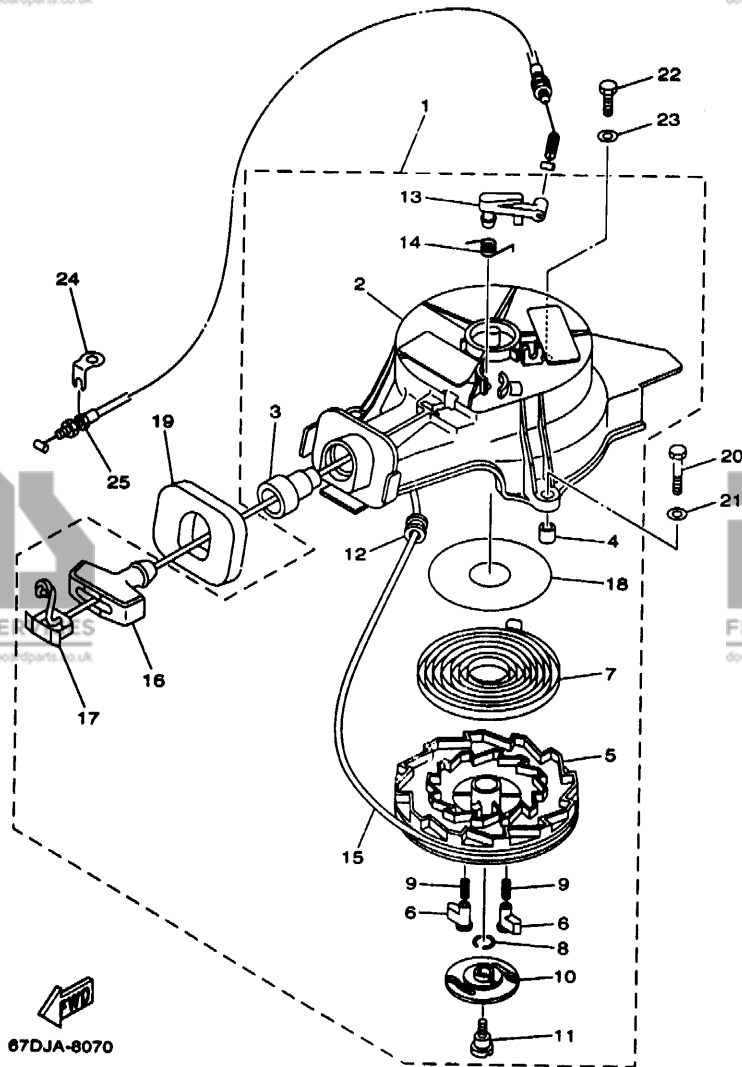
**FMS**  
67DJA-8060

**FIG. 6 CARBURETOR**

**CARBURATEUR**

REF. NO.	PART NO. NO. PIECES	DESCRIPTION DESCRIPTION	F/A	REMARKS REMARQUES
1	67D-14301-00	CARBURETOR ASSY 1 CARBURATEUR COMPLET	1	
2	6E5-14321-00	.SCREW, THROTTLE .VIS, ACCELERATEUR	1	
3	6J8-14334-00	.SPRING, THROTTLE .RESSORT, ACCELERATEUR	1	
4	67D-14385-00	.FLOAT .FLOTTEUR	1	
5	67D-14966-00	.RUBBER CAP .CAOUTCHOUC CASQUILLO	1	
6	67D-14386-00	.PIN, FLOAT .AXE, FLOTTEUR	1	
7	67D-14546-00	.VALVE, NEEDLE .POINTEAU	1	
8	67D-1492E-34	.JET, MAIN (#68) .GICLEUR, PRINCIPAL (#68)	1	
9	67D-1492F-18	.JET, AIR SLOW (#36) .GICLEUR, AIR (#36)	1	
10	67D-1492A-00	.NOZZLE, MAIN .PUITS D'AIGUILLE	1	
11	67D-14984-00	.GASKET, FLOAT CHAMBER .JOINT, CUVE DE FLOTTEUR	1	
12	67D-14981-00	.BODY, FLOAT CHAMBER .CORPS, CUVE DE FLOTTEUR	1	
13	6J8-14959-00	.GASKET .JOINT	1	
14	66T-14991-00	.PLUG, DRAIN .BOUCHON DE VIDANGE	1	
15	97980-04112	.SCREW, WITH WASHER .VIS, AVEC RONDELLE	5	
16	67D-14323-00	.SCREW, AIR ADJUSTING .VIS DE DOSEUR D'AIR	1	
17	67D-14536-00	.GASKET .JOINT	1	
18	67D-14527-00	.PLATE .PLAQUE	1	
19	67D-14126-00	.PLUG .PLOT	1	

**B3**



67DJA-8070

FIG. 7 STARTER

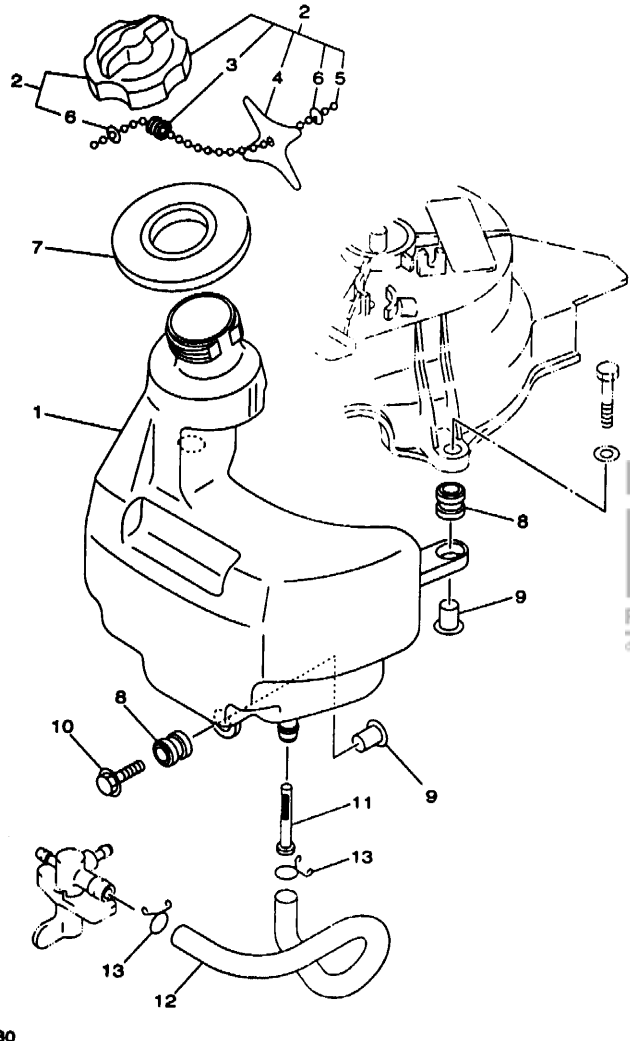
DEMARREUR

REF. NO.	PART NO. NO. PIECES	DESCRIPTION DESCRIPTION	F/A				REMARKS REMARQUES
1	67D-15710-00	STARTER ASSY DEMARREUR COMPLET	1				
2	67D-15711-00	.CASE, STARTER .CARTER DE DEMARREUR	1				
3	63V-15795-01	.GUIDE, ROPE .GUIDE DE CABLE	1				
4	67D-15764-00	.COLLAR 1 .COLLERETTE 1	3				
5	67D-15714-00	.DRUM, SHEAVE .TAMBOUR, POULIE	1				
6	67D-15741-00	.PAWL, DRIVE .CLIQUET, ENTRAINEMENT	2				
7	67D-15713-00	.SPRING, STARTER .RESSORT DE DEMARREUR	1				
8	67D-15705-00	.SPRING, DRIVE PAWL .RESSORT DE CLIQUET	1				
9	67D-15767 00	.SPRING .RESSORT	2				
10	67D-15735-00	.GUIDE, CAM .COULISSEAU	1				
11	67D-15793-00	.SCREW .VIS	1				
12	63V-15764-00	.COLLAR 1 .COLLERETTE 1	1				
13	67D-15794-00	.STOPPER .BUTEE	1				
14	67D-15734-00	.SPRING, RETURN .RESSORT, RAPPEL	1				
15	67D-15733-00	.WIRE, STARTER (1.8M) .CABLE DE DEMARREUR (1.8M)	1				
16	6G1-15755-00	.HANDLE, STARTER .POIGNEE, DE DEMARREUR	1				
17	6G1-15779-00	.COVER .COUVERCLE	1				
18	67D-15739-00	.WASHER, THRUST .RONDELLE, DE BUTEE	1				
19	67D-15762-00	SEAL, RUBBER 2 JOINT CAOUTCHOUC 2	1				
20	97095-08035	BOLT BOULON	2				
21	92995-08600	WASHER RONDELLE	2				
22	97095-08020	BOLT BOULON	1				
23	92995-08600	WASHER RONDELLE	1				
24	67D-15772-00	STAY 2 SUPPORT 2	1				
25	67D-15770-00	CABLE COMP., STARTER STOP CABLE, BUTEE DE DEMAR	1				

\* CUT FROM 50M ROLLS, PART NO. 90890-44372, CUTTING LENGTH 1.8M

\* A PRELEVER SUR BOBINE 50M, REFERENCE 90890-44372, LONGUEUR DE COUPE 1.8M

**B4**



**FIG. 8 FUEL 1 CARBURANT 1**

REF. NO.	PART NO. NO. PIECES	DESCRIPTION DESCRIPTION	FA	REMARKS REMARQUES
1	67D-24111-00	TANK, FUEL RESERVOIR, A ESSENCE	1	
2	67D-24610-00	CAP ASSY BOUCHON	1	
3	90501-10260	.SPRING, COMPRESSION .RESSORT, COMPRESSION	1	
4	6J8-21758-00	.WASHER, SPECIAL 2 .RONDELLE, SPECIALE 2	1	
5	6H1-24633-00	.CHAIN, BALL .CHANE DE BALLE	1	
6	6H1-21757-00	.WASHER, SPECIAL 1 .RONDELLE, SPECIALE 1	2	
7	6L5-24641-00	GASKET, CAP 1 JOINT 1, BOUCHON	1	
8	6A0-82317-00	DAMPER, IGNITION COIL AMORTISSEUR, BOBINE D'ALLUM	3	
9	624-42542-00	PIPE TUYAU	3	
10	90119-06M88	BOLT, WITH WASHER BOULON, AVEC RONDELLE	1	
11	6L5-24251-00	STRAINER 1 FILTRE 1	1	
12	67D-24311-00	PIPE, FUEL 1 DURITE A ESSENCE	1	
13	90467-13M13	CLIP JONC	2	

**B5**

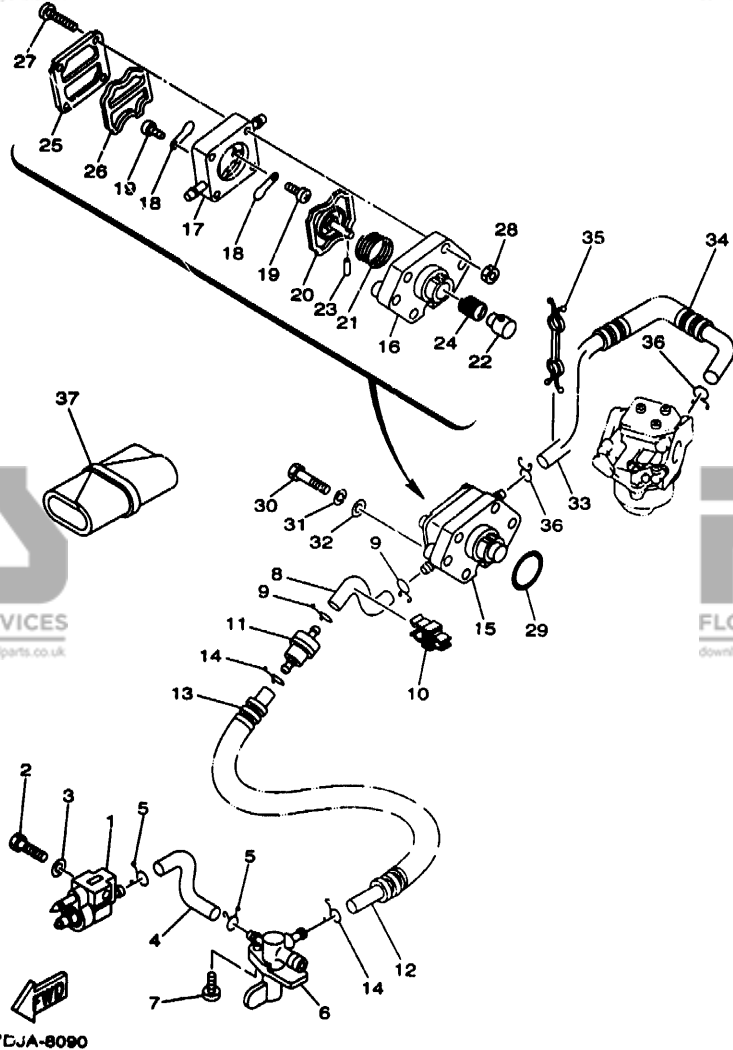
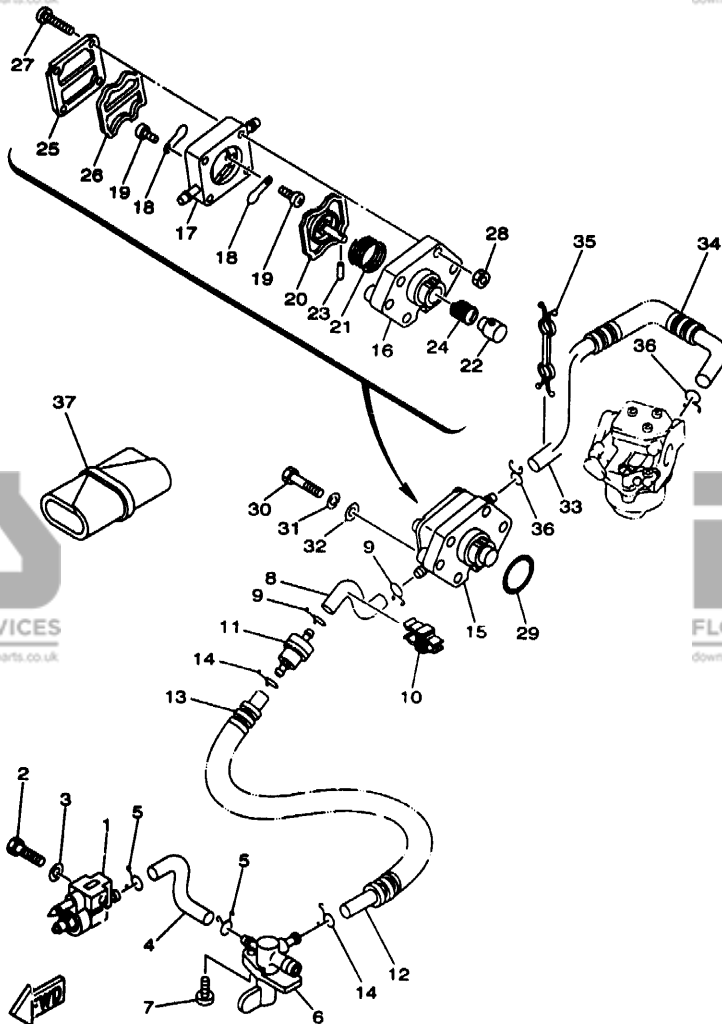


FIG. 9 FUEL 2

CARBURANT 2

REF. NO.	PART NO. NO. PIECES	DESCRIPTION DESCRIPTION	F/A	REMARKS REMARQUES
1	6G1-24304-02	FUEL PIPE JOINT COMP. 1 DURITE RACCORDEMT. A ESSENCE	1	
2	97095-06025	BOLT BOULON	1	
3	92995-06600	WASHER RONDELLE	1	
4	67D-24312-00	PIPE 2 DURITE 2	1	
5	90467-09M09	CLIP JONG	2	
6	67D-24500-00	FUEL COCK ASSY 1 ROBINET A ESSENCE	1	
7	90159-06M10	SCREW, WITH WASHER VIS, AVEC RONDELLE	1	
8	67D-24313-00	PIPE 3 DURITE 3	1	
9	90467-09M09	CLIP JONG	2	
10	90464-10M52	CLAMP BRIDE	1	
11	648-24251-02	STRAINER 1 FILTRE 1	1	
12	90445-10M67	HOSE DURITE	1	
13	90446-14M12	HOSE DURITE	1	
14	90467-09M09	CLIP JONG	2	
15	67D-24410-00	FUEL PUMP ASSY POMPE A ESSENCE	1	
16	67D-24412-00	.BODY 1 .CORPS 1	1	
17	67D-24413-00	.BODY 2 .CORPS 2	1	
18	6A0-24421-01	.VALVE, CHECK .SOUPAPE, RETENUE	2	
19	6A0-14325-00	.SCREW, PAN HEAD .VIS TETE CONIQUE	2	
20	67D-24411-00	.DIAPHRAGM .DIAPHRAGME	1	
21	67D-24423-00	.SPRING, DIAPHRAGM .RESSORT, DIAPHRAGME	1	
22	67D-13131-00	.PLUNGER .PLONGEUR	1	
23	66M-24374-00	.PIN .GOUILLE	1	
24	67D-24454-00	.SPRING .RESSORT	1	
25	67D-24414-00	.BODY 3 .CORPS 3	1	
26	66M-24471-00	.DIAPHRAGM .DIAPHRAGME	1	
27	67D-24444-00	.SCREW .VIS	4	

B6



67DJA-8090

FIG. 9 FUEL 2

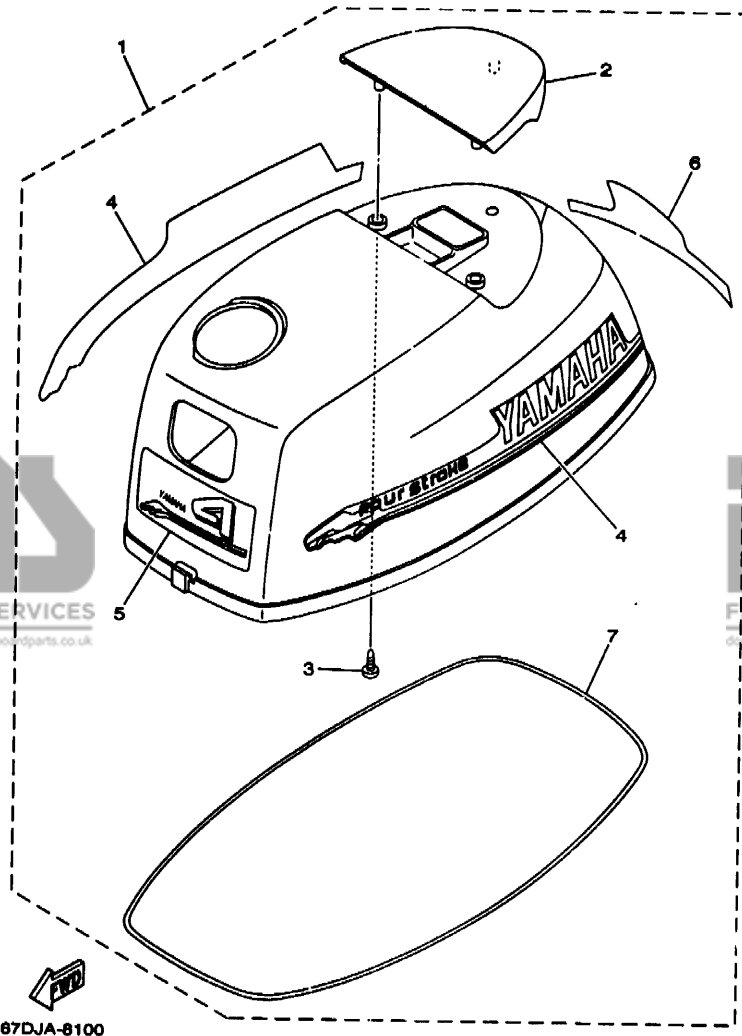
CARBURANT 2

REF. NO.	PART NO. NO. PIECES	DESCRIPTION DESCRIPTION	F/A	REMARKS REMARQUES
28	95380-05600	.NUT .ECROU	4	
29	93210-27ME3	O-RING JOINT TORIQUE	1	
30	97095-06030	BOLT BOULON	2	
31	92995-06100	WASHER, SPRING RONDELLE, GROWER	2	
32	92995-06600	WASHER RONDELLE	2	
33	90445-10M39	HOSE DURITE	1	
34	90446-14M12	HOSE DURITE	1	
35	90464-10M53	CLAMP BRIDE	1	
36	90467-09M09	CLIP JONC	2	
37	67D-28100-00	TOOL KIT TROUSSE A OUTILS	1	

B7

**FIG. 10 TOP COWLING**

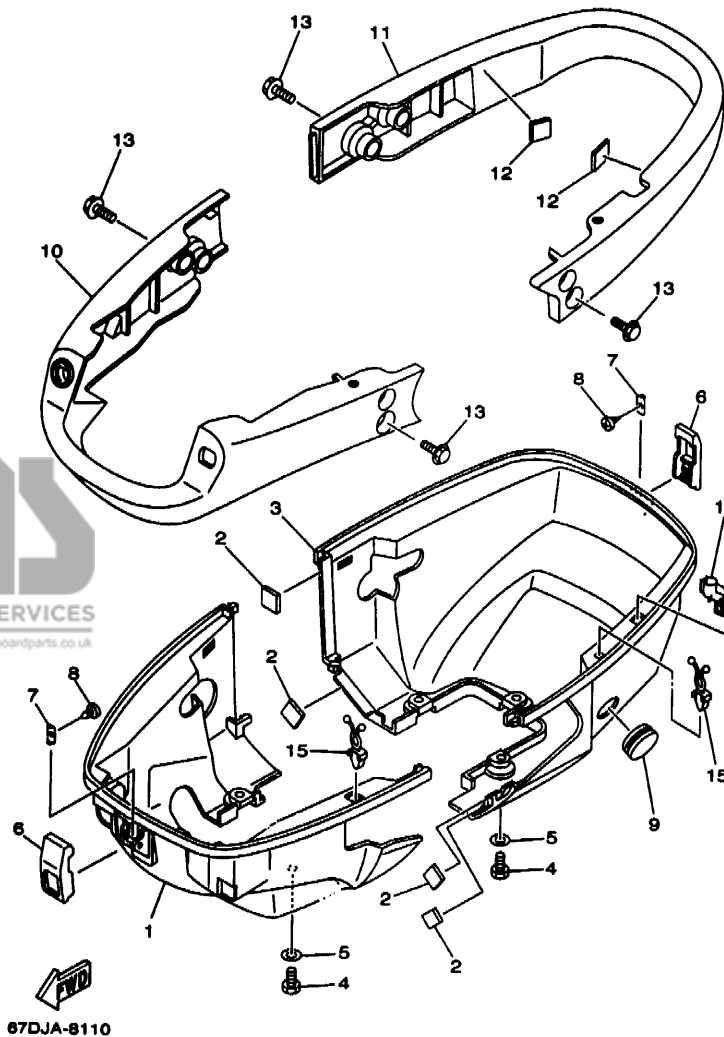
**CAPOT SUPERIEUR**



REF. NO.	PART NO. NO. PIECES	DESCRIPTION DESCRIPTION	FAA	REMARKS REMARQUES
1	67D-42610-10-4D	TOP COWLING ASSY CAPOT (ENS.)	1	
2	67D-42613-00	.MOLDING, AIR DUCT .MANCHON A AIR	1	
3	97780-40012	.SCREW, TAPPING .VIS, TETE FRAISEE	3	
4	67D-W0070-10	.GRAPHIC SET .JEU DIEMBLEMES	1	
5	67D-42677-11	.GRAPHIC, FRONT .ADHESIF AVANT	1	
6	67D-42678-10	.GRAPHIC, REAR .ADHESIF, ARRIERE	1	
7	67D-42615-00	SEAL .JOINT	1	

**FIG. 11 BOTTOM COWLING**

**CAPOT INFERIEUR**

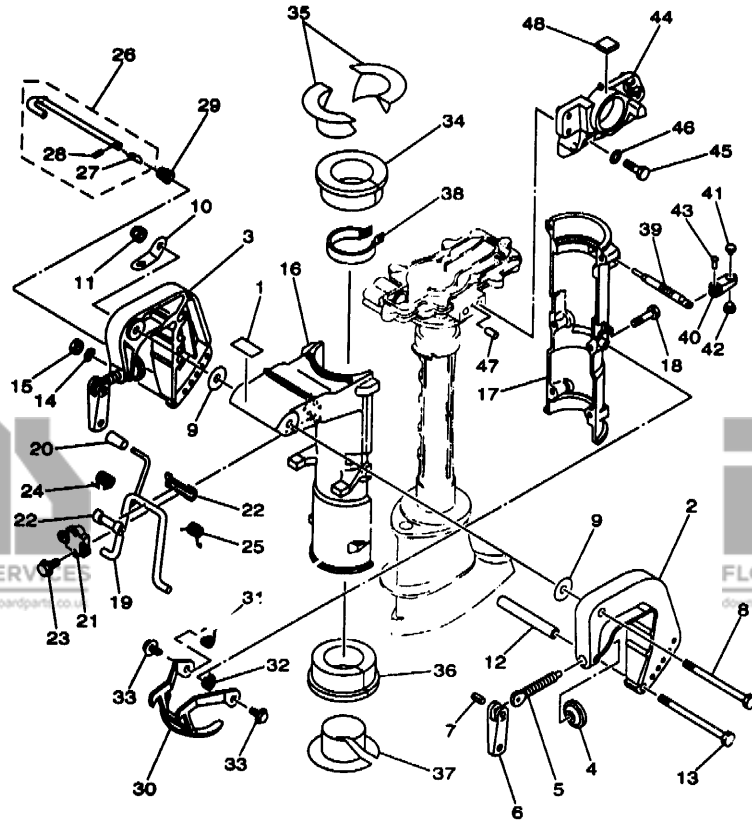


REF. NO.	PART NO. NO. PIECES	DESCRIPTION DESCRIPTION	FMA	REMARKS REMARQUES
1	67D-42711-00	COWLING, BOTTOM CUVETTE	1	
2	67D-42662-00	DAMPER AMORTISSEUR	4	
3	67D-42712-00	COWLING, BOTTOM CUVETTE	1	
4	97095-06016	BOLT BOULON	6	
5	92995-06600	WASHER RONDELLE	6	
6	6L5-42647-00	HOLDER, CLAMP BAND SUPPORT, SANDOW DE SERRAGE	2	
7	6L5-42823-00	PLATE, STOP PLAQUE	2	
8	90167-03M02	SCREW, TAPPING VIS, TETE FRAISEE	2	
9	90480-22M72	GROMMET PASSE-FIL	1	
10	67D-42731-00	CARRYING HANDLE POIGNEE DE PORTAGE	1	
11	67D-42735-00	PROTECTOR PROTECTEUR	1	
12	67D-42662-00	DAMPER AMORTISSEUR	2	
13	90119-06M79	BOLT, WITH WASHER BOULON, AVEC RONDELLE	8	
14	90484-07M50	CLAMP BRIDE	1	
15	90484-07078	CLAMP BRIDE	2	



FIG. 12 BRACKET 1

SUPPORT 1



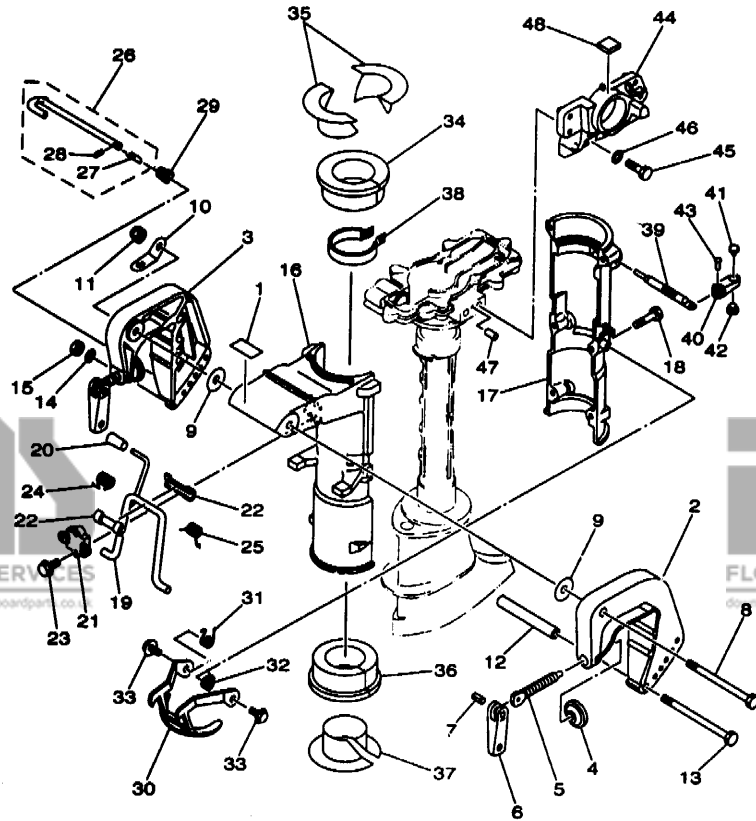
**FMS**  
67DJA-8120

REF. NO.	PART NO. NO. PIECES	DESCRIPTION DESCRIPTION	F4A	REMARKS REMARQUES
1	67D-24591-01	EMBLEM, FUEL COCK ADHESIF	1	
2	6E0-43111-02-4D	BRACKET, CLAMP PRESSE	1	
3	6E0-43112-01-4D	BRACKET, CLAMP PRESSE	1	
4	620-43114-00	PAD, TRANSOM CLAMP RONDELLE D'APPUI	2	
5	6E0-43116-01	SCREW, TRANSOM CLAMP VIS DE PRESSE	2	
6	6E0-43118-01	HANDLE, TRANSOM CLAMP POIGNEE DE VIS DE PRESSE	2	
7	90243-04M01	PIN GOUPILLE	2	
8	90101-08M07	BOLT BOULON	1	
9	90202-08M58	WASHER, PLATE RONDELLE, PLATE	2	
10	6A1-43113-01	PLATE, CLAMP BRACKET PLAQUETTE, PRESSE	1	
11	90185-08057	NUT, SELF-LOCKING ECROU, AUTO-BLOCANT	1	
12	90387-06M11	COLLAR COLLERETTE	1	
13	90101-08335	BOLT BOULON	1	
14	92990-06800	WASHER, PLATE RONDELLE, PLATE	1	
15	95380-06800	NUT ECROU	1	
16	67D-43311-00-4D	BRACKET, SWIVEL SUPPORT, PIVOT	1	
17	67D-43312-00-4D	BRACKET, SWIVEL SUPPORT, PIVOT	1	
18	95895-06035	BOLT, FLANGE BOULON, A COLLERETTE	6	
19	6E0-43181-00	LEVER, TILT STOP LEVIER, VERROUILLAGE RELEVAGE	1	
20	6E0-43632-00	KNOB, TILT POIGNEE, LEVIER DE RELEVAGE	1	
21	6E0-43313-00-94	BRACKET, SWIVEL SUPPORT, PIVOT	1	
22	620-43189-00	BUSHING COUSSINET	2	
23	95895-06020	BOLT, FLANGE BOULON, A COLLERETTE	2	
24	90508-16020	SPRING, TORSION RESSORT, TORSION	1	
25	90508-16021	SPRING, TORSION RESSORT, TORSION	1	
26	6E0-43160-01	TILT ROD ASSY BROCHE D'INCLINAISON (ENS.)	1	
27	689-43165-00	PLATE, TILT LOCK TAQUET, BROCHE INCLINAISON	1	

**C3**

FIG. 12 BRACKET 1

SUPPORT 1



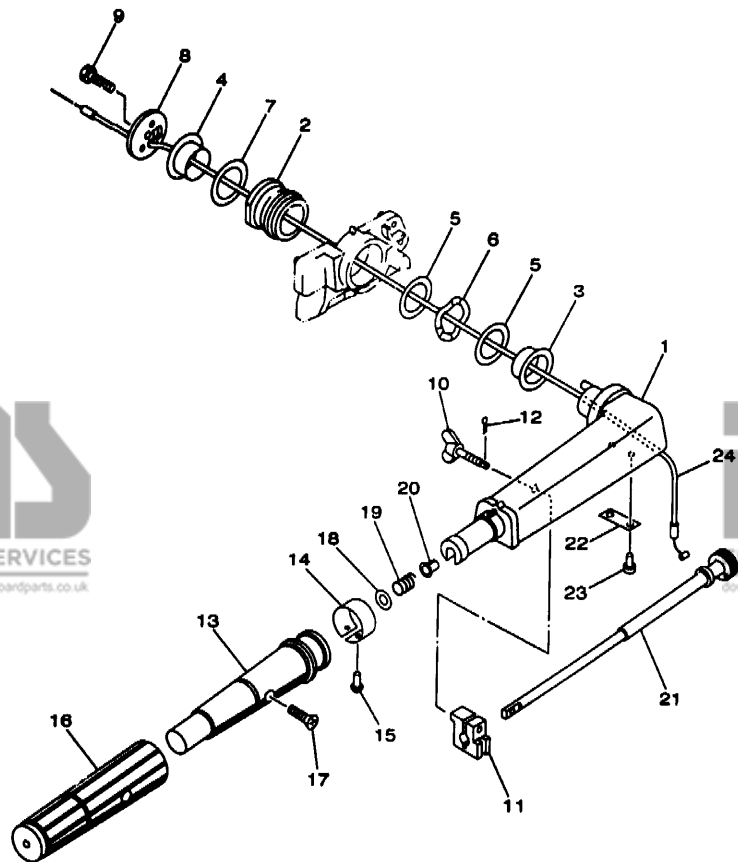
  
67DJA-8120

REF. NO.	PART NO. NO. PIECES	DESCRIPTION DESCRIPTION	F4A	REMARKS REMARQUES
28	91690-30008	.PIN, SPRING .GOUPILLE, ELASTIQUE	1	
29	90502-08M05	SPRING, CONICAL RESSORT, CONIQUE	1	
30	6E0-43614-00-5B	PLATE, TILT LOCK ETRIER, VERROUILLAGE MARCHE AR	1	
31	90508-14M10	SPRING, TORSION RESSORT, TORSION	1	
32	90508-14M11	SPRING, TORSION RESSORT, TORSION	1	
33	95895-06010	BOLT, FLANGE BOULON, A COLLERETTE	2	
34	67D-42537-00	BUSHING, PIVOT SHAFT COUSSINET	1	
35	67D-42539-00	BUSHING, PIVOT SHAFT COUSSINET	2	
36	67D-42538-00	BUSHING, PIVOT SHAFT COUSSINET	1	
37	67D-42549-00	BUSHING, PIVOT SHAFT COUSSINET	1	
38	6E0-42528-03	PLATE, FRICTION PLAQUE, FRICTION	1	
39	6L5-42529-01	SCREW, FRICTION PIECE VIS, PIECE DE FRICTION	1	
40	6L5-42581-00	KNOB, STEERING LOCK BOUTON	1	
41	6L5-44196-00	INDICATOR 3 INDICATEUR 3	1	
42	6L5-44197-00	INDICATOR 4 INDICATEUR 4	1	
43	90266-04M05	RIVET RIVET	1	
44	67D-42511-00-4D	BRACKET, STEERING CADRE, DIRECTION	1	
45	97075-08030	BOLT BOULON	2	
46	92995-08600	WASHER RONDELLE	2	
47	93604-12M07	PIN, DOWEL GOUJON	1	
48	67D-42662-00	DAMPER AMORTISSEUR	1	

C4

**FIG. 13 STEERING**

**DIRECTION**

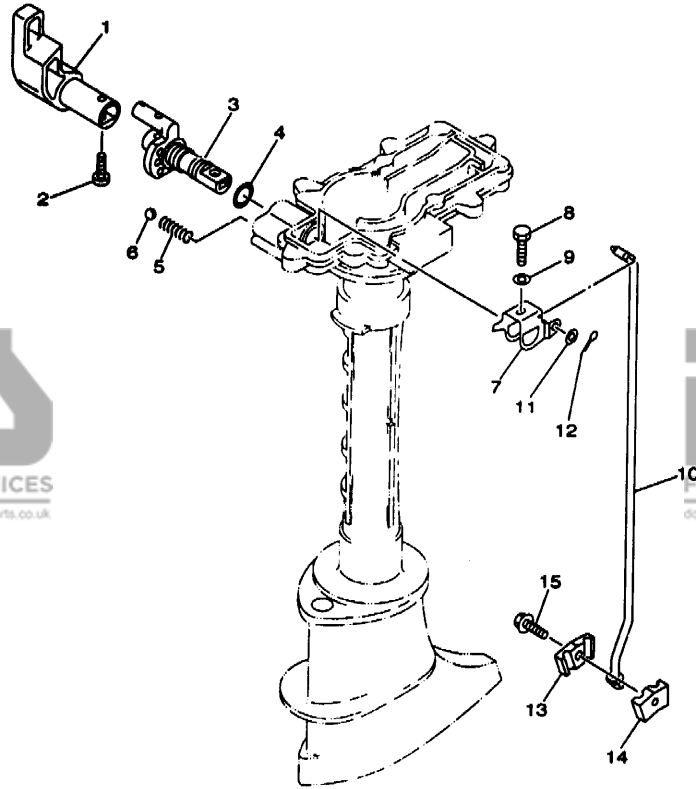


**67DJA-8130**

REF. NO.	PART NO. NO. PIECES	DESCRIPTION DESCRIPTION	F/A	REMARKS REMARQUES
1	67D-42111-00-4D	HANDLE, STEERING POIGNEE	1	
2	67D-42129-00	BUSHING, RUBBER DOUILLE, CAOUTCHOUC	1	
3	67D-42171-00	BUSHING COUSSINET	1	
4	67D-42172-00	BUSHING 2 DOUILLE 2	1	
5	67D-42181-00	WASHER RONDELLE	2	
6	67D-42188-00	WASHER, WAVE RONDELLE, ONDULEE	1	
7	67D-42182-00	WASHER 2 RONDELLE 2	1	
8	67D-42131-00	COVER, HANDLE STEERING COUVERCLE	1	
9	97075-08025	BOLT BOULON	1	
10	6G1-42125-01	BOLT, FRICTION ADJUSTING BOULON	1	
11	6G1-42126-00	FRICTION, STEERING HANDLE GRIP CUVETTE, POIGNEE DE DIRECTION	1	
12	91490-16010	PIN, COTTER GOUPILLE, FENDUE	1	
13	67D-42119-00	GRIP, STEERING HANDLE POIGNEE, BARRE FRANCHE	1	
14	67D-42137-00	INDICATOR, THROTTLE INDICATEUR, ACCELERATION	1	
15	90269-02M09	RIVET RIVET	1	
16	67D-42177-00	RUBBER, HANDLE CAOUTCHOUC, POIGNEE	1	
17	90149-05M13	SCREW VIS	1	
18	92903-10600	WASHER, PLATE RONDELLE, PLATE	1	
19	90501-23215	SPRING, COMPRESSION RESSORT, COMPRESSION	1	
20	90386-08032	BUSH DOUILLE	1	
21	6G1-42138-01	LEVER, THROTTLE LEVIER, ACCELERATEUR	1	
22	6E0-42159-02	STAY SUPPORT	1	
23	97885-05012	SCREW, PAN HEAD VIS, TETE TRONCONIQUE	2	
24	67D-28301-00	THROTTLE CABLE ASSY CABLE D'ACCELERATEUR	1	

FIG. 14 CONTROL

COMMANDE

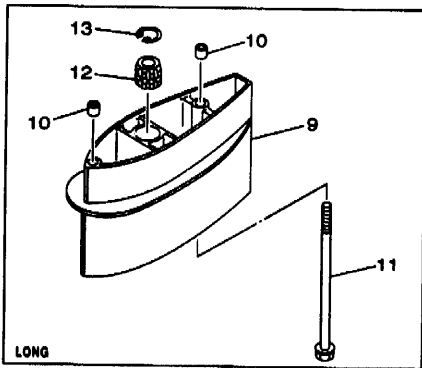
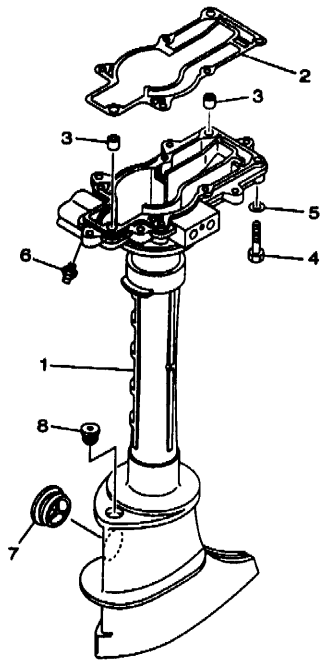


REF. NO.	PART NO. NO. PIECES	DESCRIPTION DESCRIPTION	F4A	REMARKS REMARQUES
1	67D-44111-00	HANDLE, GEAR SHIFT POIGNEE, LEVIER D'EMBAYAGE	1	
2	98680-05520	SCREW, OVAL HEAD VIS, TETE OVALE	1	
3	67D-44119-00-9M	SHAFT, CHANGE ARBRE, SELECTION	1	
4	93210-12327	O-RING JOINT TORIQUE	2	
5	90501-12274	SPRING, COMPRESSION RESSORT, COMPRESSION	1	
6	93505-16024	BALL BILLE	1	
7	6E0-44121-00	LEVER, SHIFT ROD LEVIER, TIGE D'INVERSION	1	
8	97095-06025	BOLT BOULON	1	
9	92995-06600	WASHER RONDELLE	1	
10	67D-44143-00	ROD, SHIFT TIGE D'EMBAYAGE	1	
11	92990-05600	WASHER, PLATE RONDELLE, PLATE	1	
12	91490-16010	PIN, COTTER GOUPILLE, FENDUE	1	
13	67D-44145-00	CONNECTOR, SHIFT ROD CONNECTEUR, TIGE D'INVERSION	1	
14	67D-44146-00	CONNECTOR, SHIFT ROD CONNECTEUR, TIGE D'INVERSION	1	M6 X 1.0
15	95895-06020	BOLT, FLANGE BOULON, A COLLERETTE	1	



67DJA-6140

**C6**



**67DJA-8150**

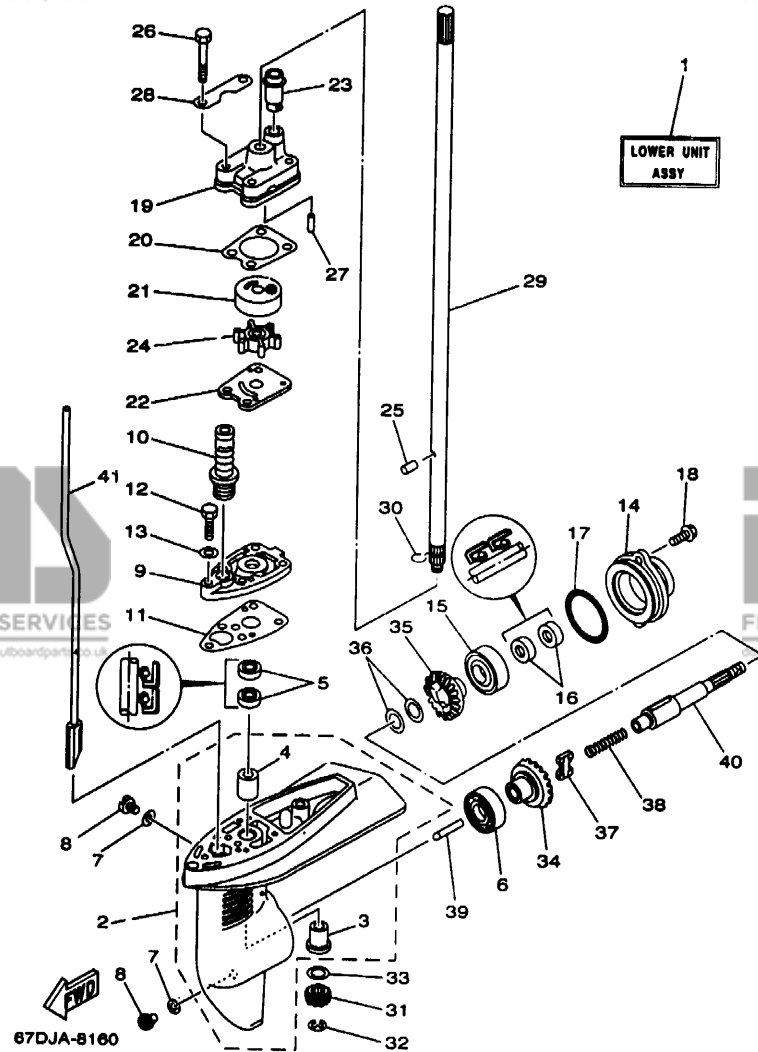
**FIG. 15 UPPER CASING**

**FOURREAU**

REF. NO.	SER. NO.	PART NO. NO. PIECES	DESCRIPTION DESCRIPTION	F4A	REMARKS REMARQUES
1	67D-45111-00-4D	FOURREAU	CASING, UPPER	1	
2	67D-45113-A0		GASKET, UPPER CASING JOINT, TUBE D'ARBRE	1	
3	90387-06M14		COLLAR COLLERETTE	2	
4	97095-06035		BOLT BOULON	7	
5	92995-06600		WASHER RONDELLE	7	
6	93700-06M03		NIPPLE, GREASE GRAISSEUR	1	
7	647-45151-01		COVER, UPPER CASING CAPUCHON, FOURREAU	1	
8	90480-10M13		GROMMET PASSE-FIL	1	
9	67D-45211-00-4D		EXTENSION EXTENSION	1	L
10	90387-06M14		COLLAR COLLERETTE	2	L
11	90119-06M77		BOLT, WITH WASHER BOULON, AVEC RONDELLE	2	L
12	6E0-45318-01		BUSHING, DRIVE SHAFT DOUILLE, ARBRE MOTEUR	1	L
13	93420-22M03		CIRCLIP CIRCLIP, TYPE S	1	L

**C7**

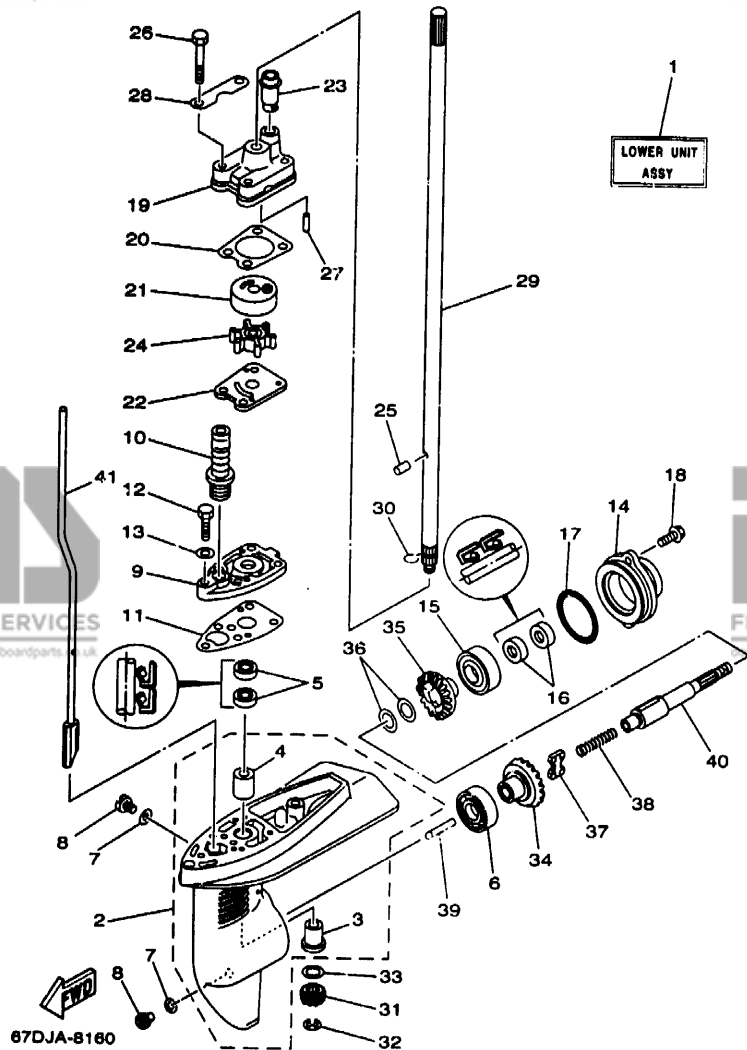
**FIG. 16 LOWER CASING. DRIVE 1 BOITIER D'HELICE, TRANSMISSION 1**



REF. NO.	PART NO. NO. PIECES	DESCRIPTION DESCRIPTION	FAA		REMARKS REMARQUES
1	67D-45300-00-4D	LOWER UNIT ASSY UNITE INFERIEURE (ENS.) ( REF.NO. 2-41 )	1		UR S
	67D-45300-10-4D	LOWER UNIT ASSY UNITE INFERIEURE (ENS.) ( REF.NO. 2-41 )	1		UR L
2	6E0-45311-02-4D	CASING, LOWER BOITIER D'HELICE	1		
3	6E0-45317-09	.BUSHING, DRIVE SHAFT .DOUILLE, ARBRE MOTEUR	1		
4	6E0-45316-09	.BUSHING, DRIVE SHAFT .DOUILLE, ARBRE MOTEUR	1		
5	93101-10M14	OIL SEAL JOINT SPY	2		
6	93306-004U0	BEARING ROULEMENT	1		
7	90430-08020	GASKET JOINT	3		
8	90340-08M04	PLUG, STRAIGHT SCREW PLOT, FILETE DROIT	3		
9	6E0-45321-01-5B	PLATE PLAQUETTE	1		
10	6L2-44147-00	BOOT, SHIFT ROD SOUFFLET, TIGE D'INVERSION	1		
11	6E0-45315-A0	PACKING, LOWER CASING JOINT, BOITIER D'HELICE	1		
12	97095-06025	BOLT BOULON	1		
13	92995-06600	WASHER RONDELLE	1		
14	6E0-45361-01-4D	CAP, LOWER CASING COUVERCLE, BOITIER D'HELICE	1		
15	93306-004U0	BEARING ROULEMENT	1		
16	93101-13M12	OIL SEAL JOINT SPY	2		
17	93210-48214	O-RING JOINT TORIQUE	1		
18	95895-06016	BOLT, FLANGE BOULON, A COLLERETTE	2		
19	6E0-44311-00	HOUSING, WATER PUMP CORPS, POMPE A EAU	1		
20	6E0-44315-A0	GASKET, WATER PUMP JOINT, POMPE A EAU	1		
21	6E0-44322-02	INSERT, CARTRIDGE CUVETTE	1		
22	6E0-44323-00	OUTER PLATE, CARTRIDGE PLAQUE EXTERIEURE	1		
23	67D-44368-00	DAMPER, WATER SEAL JOINT, TUBE D'EAU	1		
24	6E0-44352-00	IMPELLER TURBINE	1		

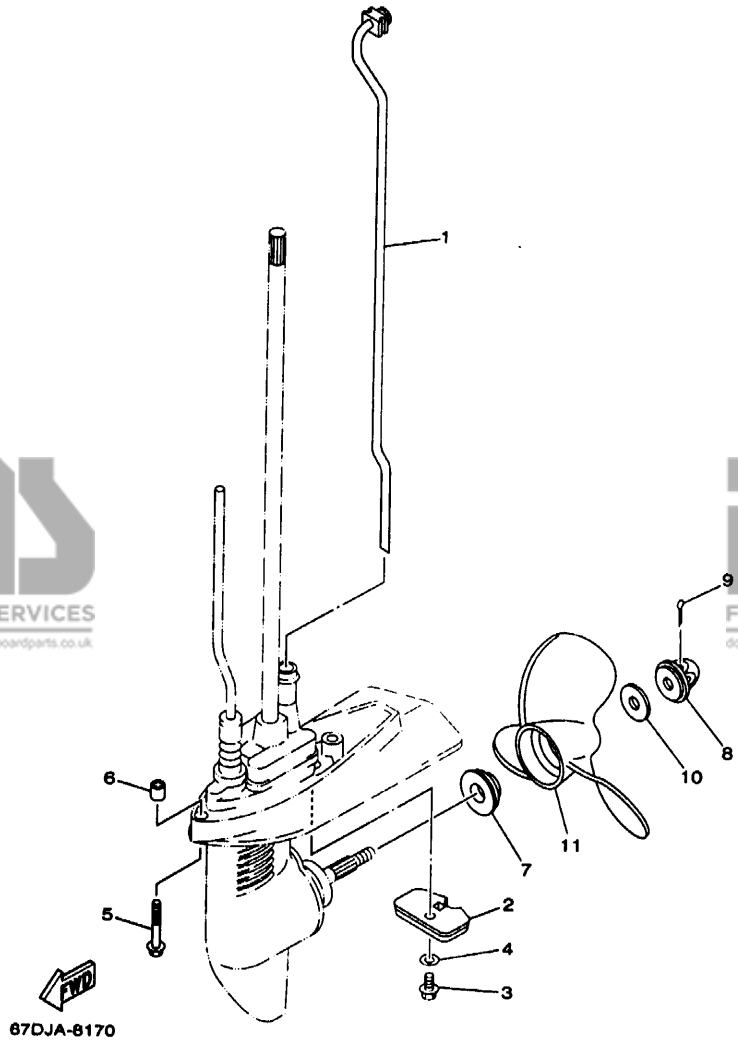
**D1**

**FIG. 16 LOWER CASING. DRIVE 1 BOITIER D'HELICE, TRANSMISSION 1**



REF. NO.	PART NO. NO. PIECES	DESCRIPTION DESCRIPTION	F/A	REMARKS REMARQUES
25	93604-09066	PIN, DOWEL GOUJON	1	
26	97095-06045	BOLT BOULON	4	
27	93604-18080	PIN, DOWEL GOUJON	2	
28	6E0-44328-00	PLATE PLAQUETTE	2	
29	6E0-45511-01	SHAFT, DRIVE ARBRE, MOTEUR	1	UR S
	6E0-45511-11	SHAFT, DRIVE ARBRE, MOTEUR	1	UR L
30	90487-08M01	CLIP JONC	1	
31	6E0-45551-00	PINION PIGNON D'ATTAQUE	1	
32	93430-0R005	CIRCLIP CIRCLIP, TYPE S	1	
33	90201-11M49	WASHER, PLATE RONDELLE, PLATE	1	
34	67D-45560-00	GEAR PIGNON	1	
35	67D-45570-00	GEAR PIGNON	1	
36	67D-45576-00	WASHER, THRUST RONDELLE DE CALAGE	2	
37	67D-45631-00	CLUTCH, DOG CRABOT	1	
38	90501-10064	SPRING, COMPRESSION RESSORT, COMPRESSION	1	
39	67D-45635-00	PLUNGER, SHIFT POUSOIR D'EMBAYAGE	1	
40	67D-45611-00	SHAFT, PROPELLER ARBRE, HELICE	1	UR S
41	67D-44150-00	SHIFT CAM ASSY CAME D'INVERSION	1	UR L
	67D-44150-10	SHIFT CAM ASSY CAME D'INVERSION	1	

**FIG. 17 LOWER CASING, DRIVE 2 BOITIER D'HELICE, TRANSMISSION 2**



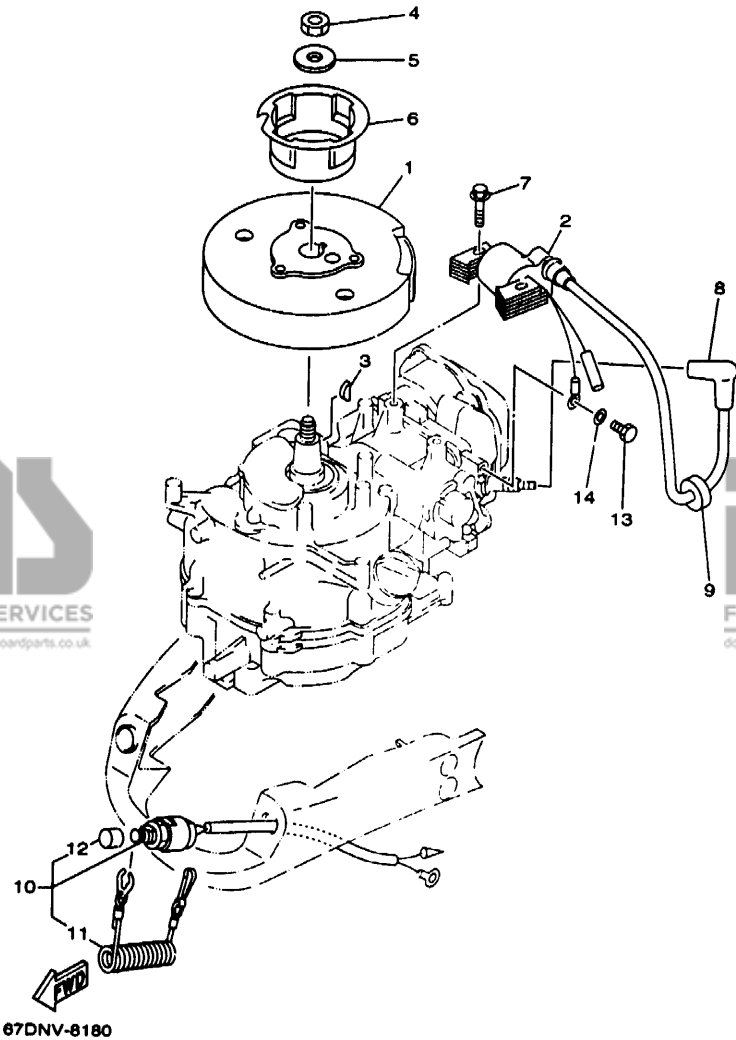
REF. NO.	PART NO. NO. PIECES	DESCRIPTION DESCRIPTION	F/A	REMARKS REMARQUES
1	67D-44380-00	WATER TUBE ASSY TUYAU,EAU	1	UR S
	67D-44380-10	WATER TUBE ASSY TUYAU,EAU	1	UR L
2	6L5-45251-02	ANODE ANODE	1	
3	95895-06012	BOLT, FLANGE BOULON, A COLLERETTE	1	
4	92990-06300	WASHER, INTERNAL TOOTH RONDELLE, DENTURE INTERNE	1	
5	90119-06M40	BOLT, WITH WASHER BOULON, AVEC RONDELLE	2	S
6	90387-06M14	COLLAR COLLERETTE	2	
7	6L5-45987-01	SPACER ENTRETOISE	1	
8	6L5-45616-00	NUT, PROPELLER CONE, HELICE	1	
9	91490-25030	PIN, COTTER GOUILLE, FENDUE	1	
10	90201-08M54	WASHER, PLATE RONDELLE, PLATE	1	
11	6E0-45941-01-EL	PROPELLER (3X7-1/2"X8"-BA) HELICE (3X7-1/2"X8"-BA)	1	UR
	6E0-45943-01-EL	PROPELLER (3X7-1/2"X7"-BA) HELICE (3X7-1/2"X7"-BA)	1	UR
	6E0-45949-00-EL	PROPELLER (3X7-1/4"X6-1/2"-BA) HELICE (3X7-1/4"X6-1/2"-BA)	1	UR

**D3**



**FIG. 18 GENERATOR**

**GENERATRICE**



REF. NO.	PART NO. NO. PIECES	DESCRIPTION DESCRIPTION	QTY	REMARKS REMARQUES
1	67D-85650-00	ROTOR ASSY ROTOR COMPLET	1	
2	67D-85640-00	T.C.I. UNIT ASSY ENS. BLOC T.C.I.	1	
3	90280-04M06	KEY, WOODRUFF CLAVETTE, DEMI-LUNE	1	
4	90170-10M33	NUT ECROU	1	
5	90201-105A2	WASHER, PLATE RONDELLE, PLATE	1	
6	67D-15723-00	PULLEY, STARTER POULIE DE DEMARREUR	1	
7	90105-06M24	BOLT, WASHER BASED BOULON, AVEC RONDELLE	2	
8	6E3-82370-20	PLUG CAP ASSY ANTIPARASITE	1	
9	90480-25161	GROMMET PASSE-FIL	1	
10	67D-82575-00	ENGINE STOP SWITCH ASSY COUPE CIRCUIT CPLT	1	
11	682-82556-00	STOPPER PLAQUETTE	1	
12	689-8257Y-00	CAP CHAPEAU	1	
13	97095-06012	BOLT BOULON	1	
14	92995-06600	WASHER RONDELLE	1	

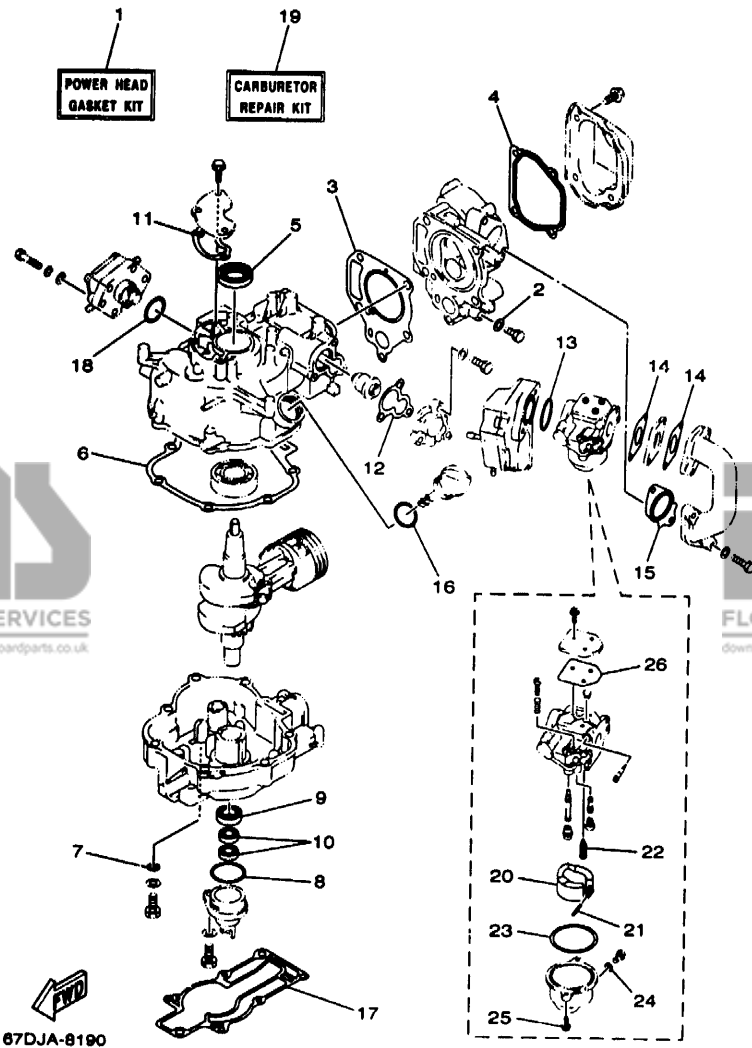


FIG. 19 REPAIR KIT 1

KITS DE REPARATION 1

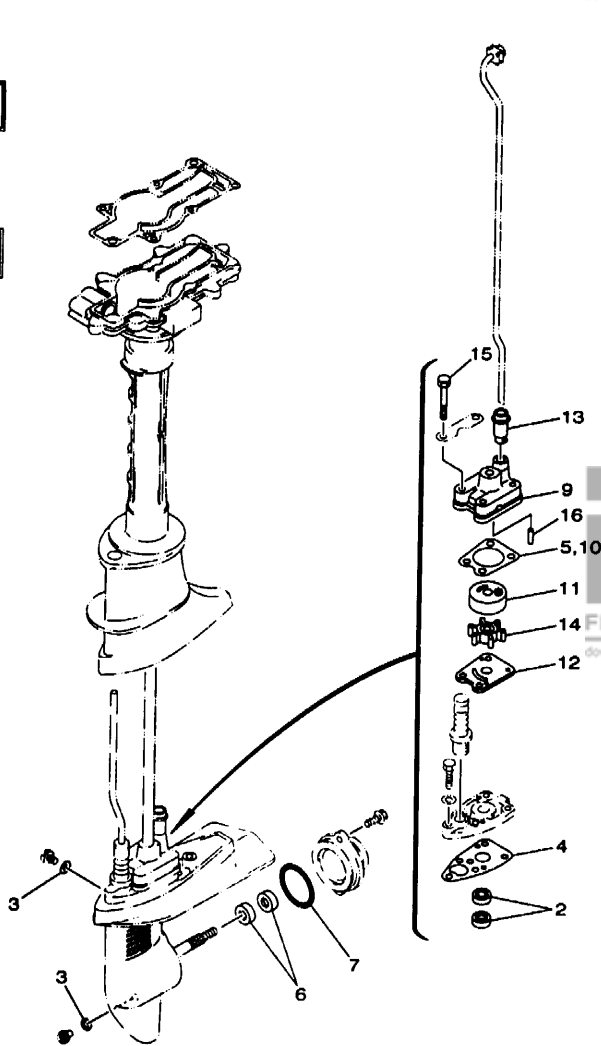
REF. NO.	PART NO. NO. PIECES	DESCRIPTION DESCRIPTION	F4A	REMARKS REMARQUES
1	67D-W0001-00	POWER HEAD GASKET KIT POCHETTE DE JINTS TETE MOTRICE	1	
2	90430-08143	.GASKET .JOINT	1	
3	67D-11181-A0	.GASKET, CYLINDER HEAD 1 .JOINT, DE CULASSE 1	1	
4	67D-11193-A0	.GASKET, HEAD COVER 1 .JOINT, COUVERCLE DE CULASSE 1	1	
5	93102-25090	.OIL SEAL .JOINT SPY	1	
6	67D-11351-A0	.GASKET, CYLINDER .JOINT, D'EMBASE	1	
7	90430-08209	.GASKET .JOINT	1	
8	93210-35537	.O-RING .JOINT TORIQUE	1	
9	93102-20108	.OIL SEAL .JOINT SPY	1	
10	93101-10M25	.OIL SEAL .JOINT SPY	2	
11	67D-11169-A0	.GASKET, BREATHER COVER .JOINT, COUVERCLE DE RENIFLARD	1	
12	67D-12414-A0	.GASKET, COVER .JOINT, COUVERCLE	1	
13	93210-31114	.O-RING .JOINT TORIQUE	1	
14	67D-13646-A0	.GASKET, MANIFOLD 2 .JOINT, TUBULURE 2	2	
15	67D-13645-A0	.GASKET, MANIFOLD 1 .JOINT, TUBULURE 1	1	
16	93210-24M79	.O-RING .JOINT TORIQUE	1	
17	67D-45113-A0	.GASKET, UPPER CASING .JOINT, TUBE D'ARBRE	1	
18	93210-27ME3	.O-RING .JOINT TORIQUE	1	
19	67D-W0093-00	CARBURETOR REPAIR KIT KIT DE REPARATION CARBURATEUR	1	
20	67D-14385-00	.FLOAT FLOTTEUR	1	
21	67D-14386-00	.PIN, FLOAT .AXE, FLOTTEUR	1	
22	67D-14546-00	.VALVE, NEEDLE .POINTEAU	1	
23	67D-14984-00	.GASKET, FLOAT CHAMBER .JOINT, CUVE DE FLOTTEUR	1	
24	6J8-14959-00	.GASKET .JOINT	1	
25	97980-04112	.SCREW, WITH WASHER .VIS, AVEC RONDELLE	2	
26	67D-14536-00	.GASKET .JOINT	1	

FIG. 20 REPAIR KIT 2

KITS DE REPARATION 2

1  
LOWER UNIT  
GASKET KIT

8  
WATER PUMP  
REPAIR KIT



67DJA-8200

REF. NO.	PART NO. NO. PIECES	DESCRIPTION DESCRIPTION	F4A	REMARKS REMARQUES
1	6E0-W0001-C1	LOWER UNIT GASKET KIT POCHETTE DE JOINTS EMBASE	1	
2	93101-10M14	.OIL SEAL .JOINT SPY	2	
3	90430-08020	.GASKET .JOINT	3	
4	6E0-45315-A0	.PACKING, LOWER CASING .JOINT, BOITIER D'HELICE	1	
5	6E0-44315-A0	.GASKET, WATER PUMP .JOINT, POMPE A EAU	1	
6	9310 13M12	.OIL SEAL .JOINT SPY	2	
7	93210-48214	.O-RING .JOINT TORIQUE	1	
8	67D-W0078-00	WATER PUMP REPAIR KIT KIT DE REPARATION DE LA POMPE	1	
9	6E0-44311-00	.HOUSING, WATER PUMP .CORPS, POMPE A EAU	1	
10	6E0-44315-A0	.GASKET, WATER PUMP .JOINT, POMPE A EAU	1	
11	6E0-44322-02	.INSERT, CARTRIDGE .CUVETTE	1	
12	6E0-44323-00	.OUTER PLATE, CARTRIDGE .PLAQUE EXTERIEURE	1	
13	67D-44366-00	.DAMPER, WATER SEAL .JOINT, TUBE D'EAU	1	
14	6E0-44352-00	.IMPELLER .TURBINE	1	
15	97095-08045	.BOLT .BOULON	4	
16	93804-18080	.PIN, DOWEL .GOUJON	2	

D6



PART NO. NO. PIECES	REF. NO.	PART NO. NO. PIECES	REF. NO.	PART NO. NO. PIECES	REF. NO.	PART NO. NO. PIECES	REF. NO.	PART NO. NO. PIECES	REF. NO.	PART NO. NO. PIECES	REF. NO.
90430-08020	18 - 7	92995-06100	9 - 31	93700-06M03	15 - 6						
	20 - 3	92995-06600	1 - 21	94702-00248	1 - 23						
90430-08143	1 - 5		5 - 5	95380-05600	9 - 28						
	19 - 2		5 - 14	95380-06600	12 - 15						
90430-08209	2 - 14		7 - 21	95817-06012	2 - 27						
	19 - 7		7 - 23	95895-06010	12 - 33						
90445-07M02	2 - 4		9 - 3	95895-06012	17 - 3						
90445-07M28	5 - 8		9 - 32	95895-06016	16 - 18						
90445-09M00	1 - 22		11 - 5	95895-06020	12 - 23						
90445-09M41	5 - 7		14 - 9		14 - 15						
90445-10M39	9 - 33		15 - 5	95895-06035	12 - 18						
90445-10M67	9 - 12		16 - 13	97075-06025	13 - 9						
90446-14M12	9 - 13		18 - 14	97075-08030	12 - 45						
	9 - 34	92995-08600	2 - 13	97095-06012	18 - 13						
90464-05122	5 - 16		2 - 20	97095-06016	11 - 4						
90464-07M50	11 - 14		12 - 46	97095-06020	1 - 20						
90464-07078	11 - 15	93101-10M14	16 - 5		7 - 22						
90464-10M52	9 - 10		20 - 2	97095-06025	5 - 13						
90464-10M53	9 - 35	93101-10M25	2 - 18		9 - 2						
90464-13249	5 - 3		19 - 10		14 - 8						
90467-06M01	16 - 30	93101-13M12	16 - 16		16 - 12						
90467-09M09	9 - 5		20 - 6	97095-06030	9 - 30						
	9 - 9	93102-20108	2 - 17	97095-06035	7 - 20						
	9 - 14		19 - 9		15 - 4						
	9 - 36	93102-25090	2 - 5		16 - 26						
90467-13M13	8 - 13		19 - 5	97095-06045	20 - 15						
90480-10M13	15 - 8	93210-12327	14 - 4		5 - 4						
90480-18M74	5 - 6	93210-24M79	2 - 29	97095-06090	1 - 4						
90480-22M72	11 - 9		19 - 16	97095-08014	2 - 12						
90480-25161	18 - 9	93210-27ME3	9 - 29	97095-08020	2 - 19						
90501-10064	16 - 38		19 - 18		2 - 10						
90501-10260	8 - 3	93210-31114	5 - 2	97575-08550	2 - 10						
90501-12274	14 - 5		19 - 13	97780-40012	10 - 3						
90501-23215	13 - 19	93210-35537	2 - 16	97880-05025	1 - 18						
90502-08M05	12 - 29		19 - 8	97885-05012	13 - 23						
90506-14M10	12 - 31	93210-48214	16 - 17	97980-04112	6 - 15						
90506-14M11	12 - 32		20 - 7		19 - 25						
90506-16020	12 - 24	93306-004U0	16 - 6	98503-04006	2 - 25						
90506-16021	12 - 25		16 - 15	98680-05520	14 - 2						
90890-44372	7 - 15		2 - 6	99510-10114	1 - 9						
91490-16010	13 - 12	93306-205U8	15 - 13		2 - 11						
	14 - 12	93420-22M03	16 - 32								
91490-25030	17 - 9	93430-06005	3 - 8								
91690-30008	12 - 26	93450-14088	14 - 6								
92903-10600	13 - 18	93505-16024	16 - 25								
92990-06600	14 - 11	93604-09066	12 - 47								
92990-06300	17 - 4	93604-12M07	16 - 27								
92990-06600	12 - 14	93604-18080	20 - 16								