

**PARTS
CATALOGUE
CATALOGUE
DE PIÈCES DÉTACHÉES**

**F20A'98(65W)
F25A'98(65W)**





FOREWORD

This Parts Catalogue is related to the parts for the model(s) in the below frame. When you are ordering replacement parts, please refer to this Parts Catalogue and quote both part numbers and part names correctly.

F20A'98(65W), F25A'98(65W)

1. Modifications or additions which have been made after issue of the Parts Catalogue will be announced in the Yamaha Parts News.
It is advisable that you make necessary corrections to the Parts Catalogue according to the Yamaha Parts News.

2. Abbreviations

The Following abbreviations are used in this Parts Catalogue.

- "UR" Use specified parts number.
- "UN" Use as many as needed.
- "AP" Alternate Parts
- "LM" Local Made
(Parts need to be ordered locally)
- "O/S" Over Size

3. Parts, which are to be supplied in an assembly, are listed with a dot(.) in front of the part name as shown below.

EXAMPLE

- CARBURETOR ASSY
- .JET, PILOT
- .NOZZLE, MAIN

4. Number of component for assembly

The numeral appearing to the right of each component part indicates the quantity of parts for each assembly unit.

EXAMPLE

PART NO.	DESCRIPTION	u	u	u	REMARKS
6E0-85500-70	C.D.I. MAGNETO ASSY	1			
6E0-85550-70	.ROTOR ASSY	1			
6E0-15723-00-94.	.PULLY, STARTER	1			

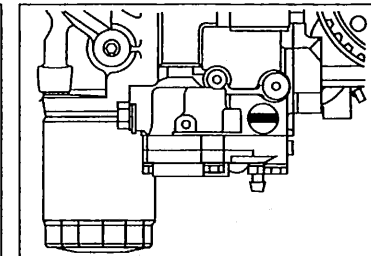
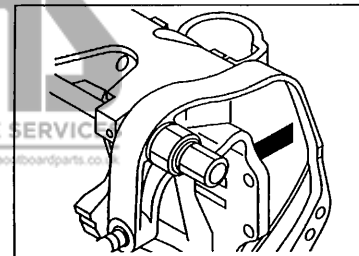
5. Quantity Column Information

NAME for Q'TY COLUMN	APPLICABLE MODEL
E	F20AE, F25AE
EH	F20AEH, F25AEH
ET	F20AET, F25AET

6. Applicable Serial No. and Color Code

1) Engine Sserial No.

F20AE	S : 100101 ~ L : 500101 ~	F25AE	S : 000101 ~ L : 300101 ~
F20AEH	S : 700101 ~ L : 800101 ~	F25AEH	S : 050101 ~ L : 350101 ~
F20AET	L : 600101 ~	F25AET	L : 400101 ~



2) Color Code

Color Code	Color Name	Abbreviation
004D	DARK BLUIISH GRAY METALLIC 2	DBNM2

7. Note that the illustrations for reference in funding parts numbers, not to be used for assembling. When assembling, pleas use the applicable service manual.

8. The asterisk (*) before a reference number indicates modification items after the first edition.

Ce Catalogue de pièces détachées concerne les pièces pour le(s) modèle(s) indiqué(s) dans le cadre ci-dessous. Lorsque vous commandez des pièces de rechange, veuillez vous référer à ce catalogue de pièces détachées et indiquer clairement les numéros et les noms des pièces détachées.

F20A'98(65W), F25A'98(65W)

1. Les modifications ou ajouts ayant été effectués après la parution du catalogue de pièces détachées seront décrits dans les Bulletins d'information Yamaha concernant les pièces détachées. Il est recommandé que vous apportiez les corrections nécessaires au catalogue des pièces détachées en vous référant aux Bulletins d'information Yamaha.

2. Abréviations

Dans ce catalogue, les abréviations suivantes sont utilisées:

"UR" Utiliser le numéro des pièces.

"UN" Utiliser autant que nécessaire.

"AP" Pièces de substitution

"LM" Fabrication locale (les pièces doivent être commandées localement.)

3. Dans ce catalogue, les pièces qui sont fournies dans un ensemble sont précédées d'un point (.) de la manière indiquée ci-dessous.

EXEMPLE

ENS CARBURATEUR

.GICLEUR, ralenti

.PUITS D'AIGUILLE

4. Nombre de pièces composant un ensemble

Le chiffre apparaissant à la droite de chaque description indique la quantité de pièces pour chaque ensemble de pièces.

EXEMPLE

NO. PIECES	DESCRIPTION	W	EH	ET	REMARQUES
6E0-85500-70	MAGNETO C.D.I. CPLT	1			
6E0-85550-70	.ROTOR CPLT	1			
6E0-15723-00-94	..POULIE DE DEMARREUR	1			

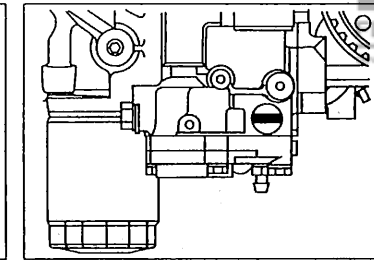
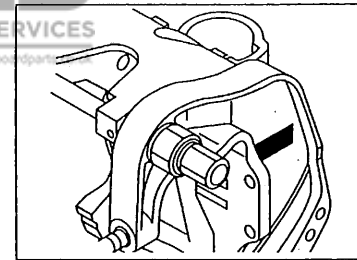
5. Indication concernant la quantité

Indication concernant la quantité	Applications modèle
E	F20AE, F25AE
EH	F20AEH, F25AEH
ET	F20AET, F25AET

6. Applications No de série et code couleur correspondants

1) No. de série du moteur

F20AE	S : 100101 ~	F25AE	S : 000101 ~
	L : 500101 ~		L : 300101 ~
F20AEH	S : 700101 ~	F25AEH	S : 050101 ~
	L : 800101 ~		L : 350101 ~
F20AET	L : 600101 ~	F25AET	L : 400101 ~



2) Code couleur

Code couleur	Nom de couleur	Abréviation
004D	DARK BLUISH GRAY METALLIC 2	DBNM2

7. Veuillez noter que les illustrations sont indiquées pour référence pour trouver les numéros de pièces, non pour être utilisées lors de l'assemblage. Lors de l'assemblage, veuillez utiliser le manuel d'entretien adéquat.

8. L'astérisque (*) placé devant un numéro de référence. indique des éléments qui ont été modifiés après la première édition.



FLOOD MARINE SERVICES

downloaded from www.yamahaoutboardparts.co.uk

SHEET 1/2

CYLINDER. CRANKCASE 1	A4
CYLINDER. CRANKCASE 2	A6
CRANKSHAFT. PISTON	B1
VALVE	B2
INTAKE	B3
CARBURETOR	B4
OIL PUMP	B6
OIL PAN	B7
FUEL	C1
TOP COWLING	C3
BOTTOM COWLING	C4
BRACKET 1	C6
BRACKET 2	D3
BRACKET 3	D5
POWER TRIM & TILT ASSY	D7
STEERING 1	E3
STEERING 2	E6
CONTROL	E7
STEERING GUIDE ATTACHMENT 1	F2
UPPER CASING	F3
LOWER CASING. DRIVE 1	F4
LOWER CASING. DRIVE 2	F7

INDEX

NUMERICAL INDEX	G1
-----------------------	----



FLOOD MARINE SERVICES

downloaded from www.yamahaoutboardparts.co.uk

CONTENTS

SHEET 2/2

GENERATOR	A4*
STARTING MOTOR	A5*
ELECTRICAL 1	A6*
ELECTRICAL 2	B1*
ELECTRICAL 3	B3*
REPAIR KIT 1	B4*
REPAIR KIT 2	B5*
REPAIR KIT 3	B6*

INDEX

NUMERICAL INDEX	G1*
-----------------------	-----



FLOOD MARINE SERVICES

downloaded from www.yamahaoutboardparts.co.uk



FLOOD MARINE SERVICES

downloaded from www.yamahaoutboardparts.co.uk



FLOOD MARINE SERVICES

downloaded from www.yamahaoutboardparts.co.uk



FLOOD MARINE SERVICES

downloaded from www.yamahaoutboardparts.co.uk



FLOOD MARINE SERVICES

downloaded from www.yamahaoutboardparts.co.uk

A3



FLOOD MARINE SERVICES

downloaded from www.yamahaoutboardparts.co.uk

TABLE DES MATIERES

Feuille 1/2

CYLINDRE. CARTER 1	A4
CYLINDRE. CARTER 2	A6
VILEBREQUIN. PISTON	B1
SOUPAPE	B2
ADMISSION	B3
CARBURATEUR	B4
POMPE A HUILE	B6
VENTILATEUR D'HUILE	B7
CARBURANT	C1
CAPOT SUPERIEUR	C3
CAPOT INFERIEUR	C4
SUPPORT 1	C6
SUPPORT 2	D3
SUPPORT 3	D5
PUISSANCE PARER ET INCLINER	D7
DIRECTION 1	E3
DIRECTION 2	E6
COMMANDE	E7
DIRECTION GUIDE ACCESSOIRE 1	F2
FOURREAU	F3
BOITIER D'HELICE, TRANSMISSION 1	F4
BOITIER D'HELICE, TRANSMISSION 2	F7

INDEX

NUMERICAL INDEX	G1
-----------------------	----

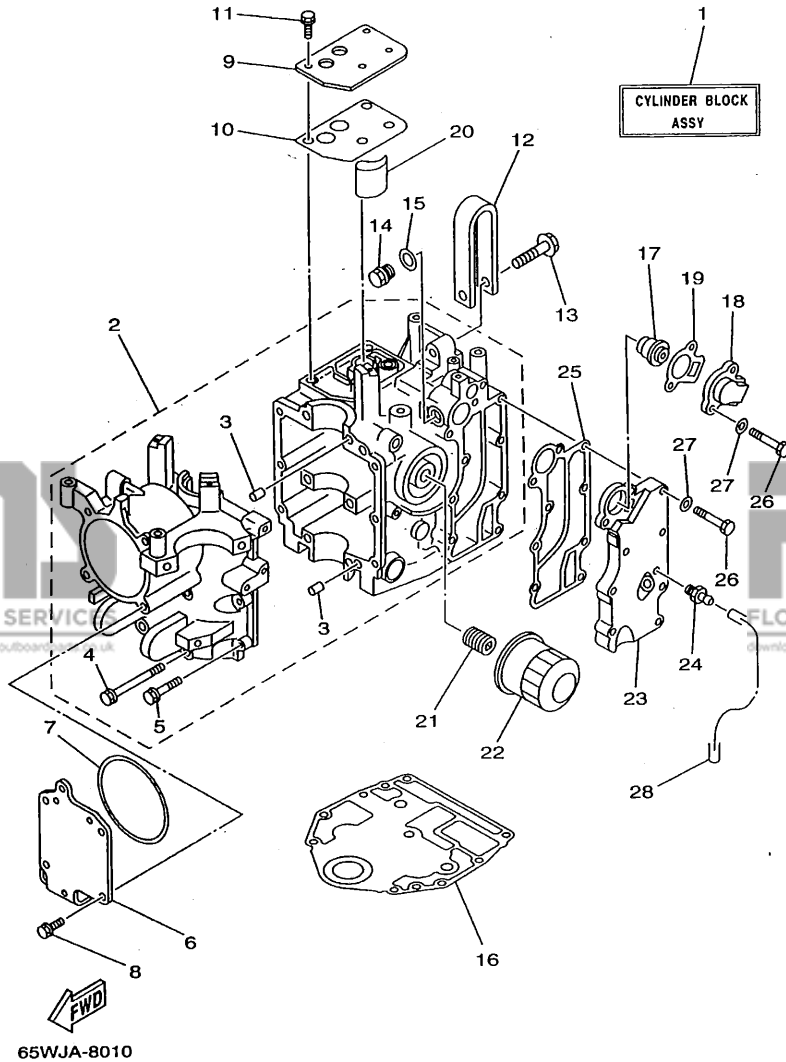
Feuille 2/2

GENERATRICE	A4*
DEMARREUR ELECTRIQUE	A5*
PARTIE ELECTRIQUE 1	A6*
PARTIE ELECTRIQUE 2	B1*
PARTIE ELECTRIQUE 3	B3*
KITS DE REPARATION 1	B4*
KITS DE REPARATION 2	B5*
KITS DE REPARATION 3	B6*

INDEX

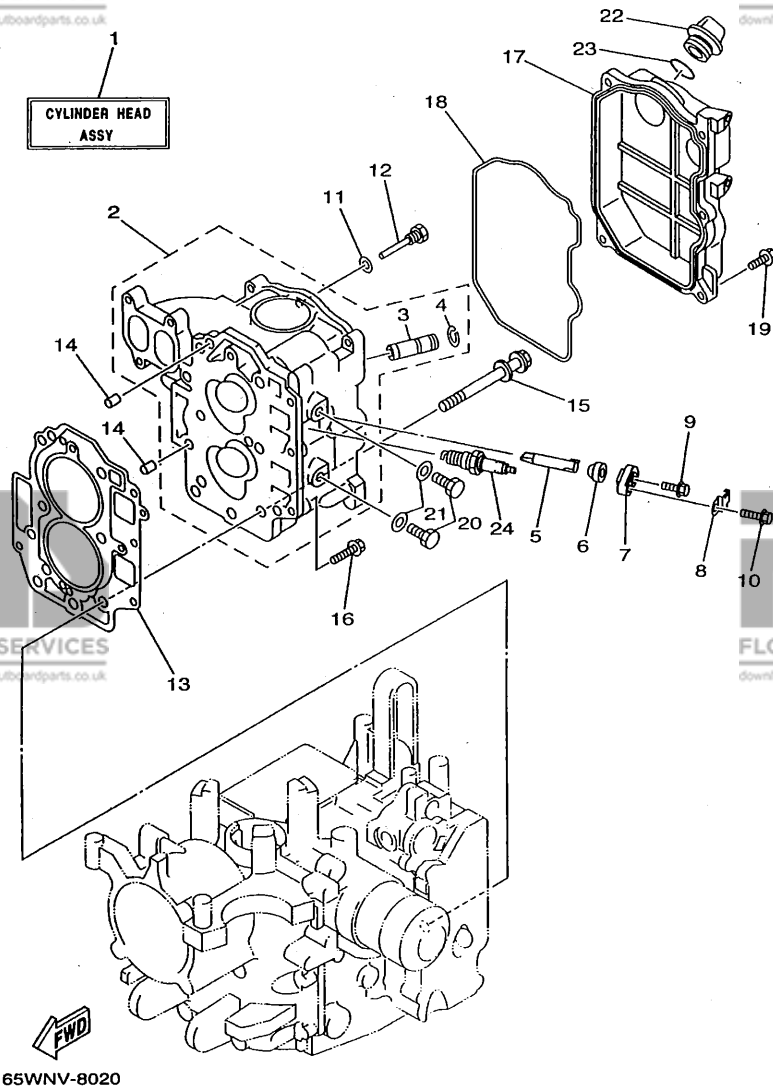
NUMERICAL INDEX	G1*
-----------------------	-----

FIG. 1 CYLINDER. CRANKCASE 1 CYLINDRE. CARTER 1



REF. NO.	PART NO. NO. PIECES	DESCRIPTION DESCRIPTION	U	H	L	REMARKS REMARQUES
1	65W-W009B-00-4D	CYLINDER BLOCK ASSY CYLINDRE GROUPE (ENS.) (REF.NO. 2~28, FIG.2, REF.NO. 13, FIG.3, REF.NO. 1~14, FIG.8, REF.NO. 1, FIG.23, REF.NO. 4, FIG.25, REF.NO. 24)	1	1	1	
2	65W-15100-00-94	CRANKCASE ASSY CARTER DE MOTEUR COMPLET	1	1	1	
3	99530-08012	.PIN, DOWEL .GOUJON, D'ASSEMBLAGE	2	2	2	
4	90119-08M01	.BOLT, WITH WASHER .BOULON, AVEC RONDELLE	6	6	6	
5	97513-06535	.BOLT, WITH WASHER .VIS HEXAGONAL	6	6	6	
6	65W-15121-00	CRANKCASE 2 CARTER DE MOTEUR	1	1	1	
7	65W-15663-00	SEAL JOINT	1	1	1	
8	65W-12228-00	BOLT BOULON	4	4	4	
9	65W-11168-00	COVER, BREATHER COUVERCLE, RENIFLARD	1	1	1	
10	65W-11169-00	GASKET, BREATHER COVER JOINT, COUVERCLE DE RENIFLARD	1	1	1	
11	65W-12228-00	BOLT BOULON	4	4	4	
12	65W-11119-00	HANGER, ENGINE ANNEAU, LEVAGE	1	1	1	
13	65W-12157-00	BOLT BOULON	1	1	1	
14	90340-14M06	PLUG, STRAIGHT SCREW PLOT, FILETE DROIT	1	1	1	
15	90430-14115	GASKET JOINT	1	1	1	
16	65W-11351-00	GASKET, CYLINDER JOINT, D'EMBASE	1	1	1	
17	6G8-12411-02	THERMOSTAT THERMOSTAT	1	1	1	
18	6H3-12413-00-9M	COVER, THERMOSTAT COUVERCLE, THERMOSTAT	1	1	1	
19	65W-12414-00	GASKET, COVER JOINT, COUVERCLE	1	1	1	
20	65W-13286-00	CLEANER FILTRE	1	1	1	
21	90401-20M00	BOLT, UNION BOULON, RACCORD	1	1	1	
22	3FV-13440-00	ELEMENT ASSY, OIL CLEANER ELEMENT, FILTRE A HUILE	1	1	1	
23	65W-41113-00-94	OUTER COVER, EXHAUST COUVERCLE, ECHAPPEMENT	1	1	1	
24	62Y-12481-00	PIPE 1 DURITE 1	1	1	1	
25	65W-41114-00	GASKET, EXHAUST OUTER COVER JOINT, COUVERCLE D'ECHAPPEMENT	1	1	1	

A4



65WNV-8020

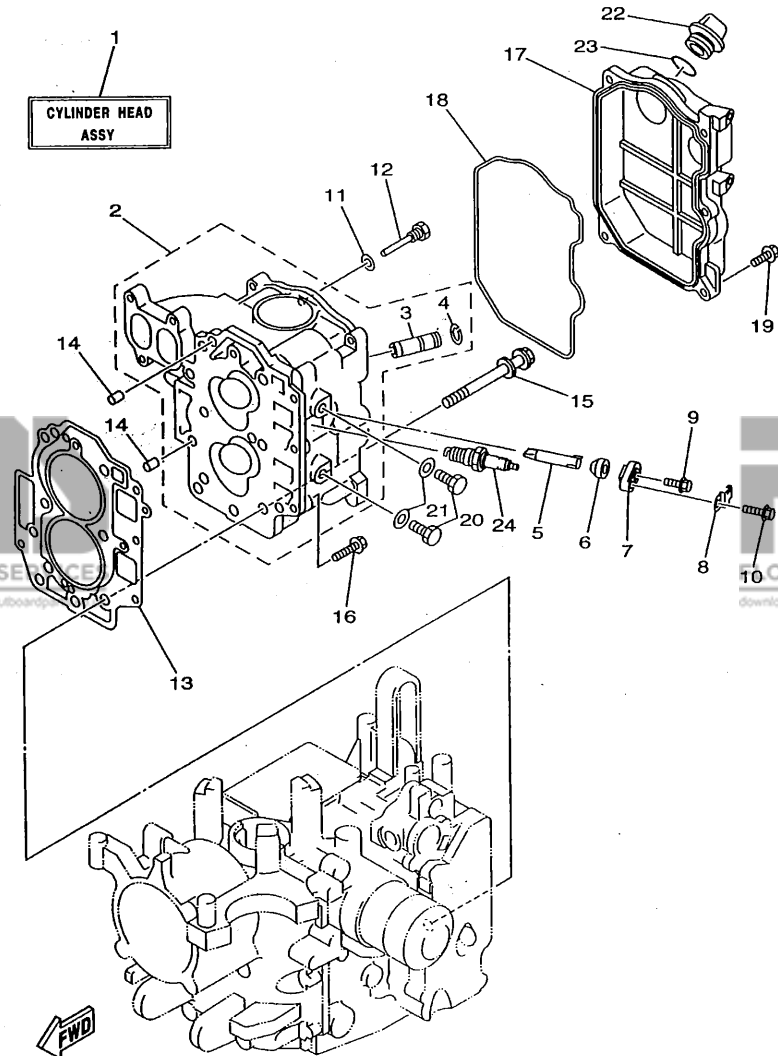
FIG. 2 CYLINDER. CRANKCASE 2 CYLINDRE. CARTER 2

REF. NO.	PART NO. NO. PIECES	DESCRIPTION DESCRIPTION	W	U	U	REMARKS REMARQUES
1	65W-W009A-00-4D	CYLINDER HEAD ASSY CULASSE (ENS.) (REF.NO. 2-7, 10-12, 17-19, 22, 23, FIG.4, REF.NO. 1-14, FIG.7, REF.NO. 1-6, 11-15)	1	1	1	UR
	65W-W009A-10-4D	CYLINDER HEAD ASSY CULASSE (ENS.) (REF.NO. 2-7, 10-12, 17-23, FIG.4, REF.NO. 1-14, FIG.7, REF.NO. 1-6, 11-15)	1	1	1	UR *ECM
2	65W-11111-00-94	HEAD, CYLINDER 1 CULASSE	1	1	1	UR
	65W-11111-10-94	HEAD, CYLINDER 1 CULASSE	1	1	1	UR *ECM
3	62Y-11133-10	.GUIDE, INTAKE VALVE .GUIDE, SOUP D'ADM	4	4	4	
4	93450-09M01	.CIRCLIP .CIRCLIP, TYPE S	4	4	4	
5	62Y-11325-00	ANODE ANODE	2	2	2	
6	66M-11328-00	GROMMET, ANODE PASSE-FIL	2	2	2	
7	66M-11327-00-94	COVER, ANODE COUVERCLE	2	2	2	
8	66M-12535-00	PLATE PLAQUE	2	2	2	
9	97595-05512	BOLT, WITH WASHER VIS HEXAGONAL	2	2	2	
10	97513-06520	BOLT, WITH WASHER VIS HEXAGONAL	2	2	2	
11	90430-06014	GASKET JOINT	1	1	1	
12	90109-06M65	BOLT BOULON	1	1	1	
13	65W-11181-10	GASKET, CYLINDER HEAD 1 JOINT, DE CULASSE 1	1	1	1	
14	99530-08012	PIN, DOWEL GOUJON, D'ASSEMBLAGE	2	2	2	
15	90119-09M00	BOLT, WITH WASHER BOULON, AVEC RONDELLE	6	6	6	
16	97513-06525	BOLT, WITH WASHER VIS HEXAGONAL	3	3	3	
17	65W-11191-00-94	COVER, CYLINDER HEAD 1 COUVERCLE, CULASSE 1	1	1	1	
18	65W-11356-00	SEAL, CYLINDER 2 JOINT, SPY CYLINDRE	1	1	1	

*ECM: FOR EMISSION CONTROL MODEL.

*ECM: POUR MODELE CONTROLE D'EMISSIONS.

FIG. 2 / CYLINDER. CRANKCASE 2 CYLINDRE. CARTER 2



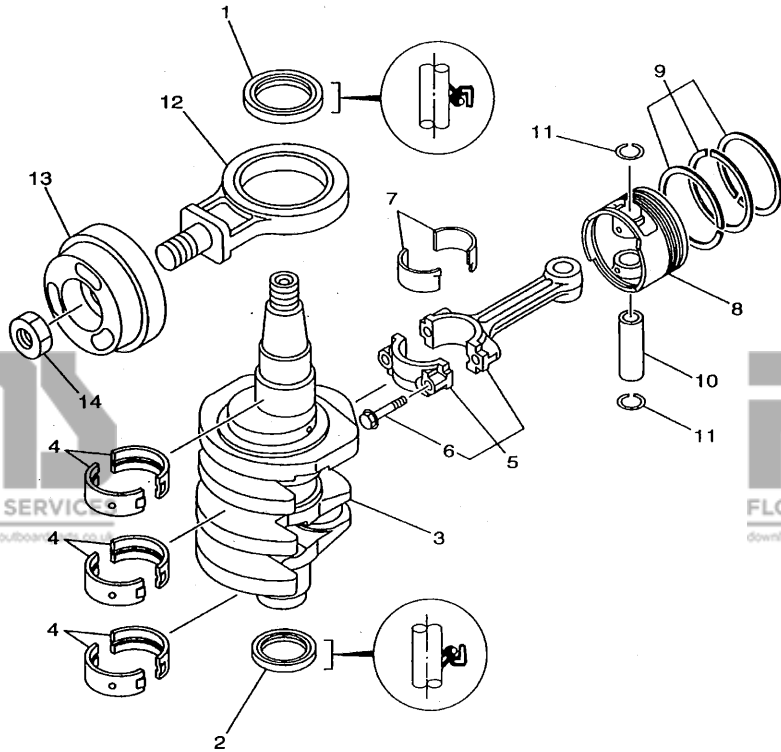
REF. NO.	PART NO. NO. PIECES	DESCRIPTION DESCRIPTION	U	I	L	REMARKS REMARQUES
19	97513-06520	BOLT, WITH WASHER VIS HEXAGONAL	5	5	5	
20	97095-08014	BOLT BOULON	2	2	2	*ECM
21	90430-08143	GASKET JOINT	2	2	2	*ECM
22	6G8-15363-00	PLUG, OIL PLOT, HUILE	1	1	1	
23	93210-24M79	O-RING JOINT TORIQUE	1	1	1	
24	94701-00375	PLUG, SPARK (NGK DPR6EA-9) BOUGIE D'ALLUMAGE(NGK DPR6EA-9)	2	2	2	

*ECM: FOR EMISSION CONTROL MODEL.

*ECM: POUR MODELE CONTROLE D' EMISSIONS.

65WNV-8020

FIG. 3 CRANKSHAFT. PISTON VILEBREQUIN. PISTON



REF. NO.	PART NO. NO. PIECES	DESCRIPTION DESCRIPTION	W	T	L	REMARKS REMARQUES
1	93102-43M42	OIL SEAL JOINT SPY	1	1	1	
2	93102-35M47	OIL SEAL JOINT SPY	1	1	1	
3	65W-11411-00	CRANKSHAFT VILEBREQUIN COMPLET	1	1	1	
4	62Y-11416-00	PLANE BEARING, CRANKSHAFT 1 COUSSINET DE VILEBREQUIN	6	6	6	UR BROWN
	62Y-11416-10	PLANE BEARING, CRANKSHAFT 1 COUSSINET DE VILEBREQUIN	6	6	6	UR BLACK
	62Y-11416-20	PLANE BEARING, CRANKSHAFT 1 COUSSINET DE VILEBREQUIN	6	6	6	UR BLUE
5	62Y-11650-00	CONNECTING ROD ASSY BIELLE COMPLETE	2	2	2	
6	62Y-11654-00	.BOLT, CONNECTING ROD .BOULON, BIELLE	2	2	2	
7	62Y-11656-00	PLANE BEARING, CONNECTING ROD ROULEMENT DE BIELLE	4	4	4	UR BROWN
	62Y-11656-10	PLANE BEARING, CONNECTING ROD ROULEMENT DE BIELLE	4	4	4	UR BLACK
	62Y-11656-20	PLANE BEARING, CONNECTING ROD ROULEMENT DE BIELLE	4	4	4	UR BLUE
8	65W-11631-00-96	PISTON (STD) PISTON (STD)	2	2	2	
	65W-11635-00	PISTON (0.25MM O/S) PISTON (0.25MM O/S)	2	2	2	AP
	65W-11636-00	PISTON (0.50MM O/S) PISTON (0.50MM O/S)	2	2	2	AP
9	65W-11603-00	PISTON RING SET (STD) JUE DE SEGMENTS (STD)	2	2	2	
	65W-11604-00	PISTON RING SET (0.25MM O/S) JUE DE SEGMENTS (0.25MM O/S)	2	2	2	AP
	65W-11605-00	PISTON RING SET (0.50MM O/S) JUE DE SEGMENTS (0.50MM O/S)	2	2	2	AP
10	62Y-11633-00	PIN, PISTON AXE, PISTON	2	2	2	
11	93450-17129	CIRCLIP CIRCLIP, TYPE S	4	4	4	
12	65W-11665-00	CON-ROD ASSY, BALANCE BIELLE COMPLETE, BALANCE	1	1	1	
13	65W-11642-11	PISTON, BALANCE PISTON, BALANCE	1	1	1	
14	90170-20137	NUT ECROU	1	1	1	

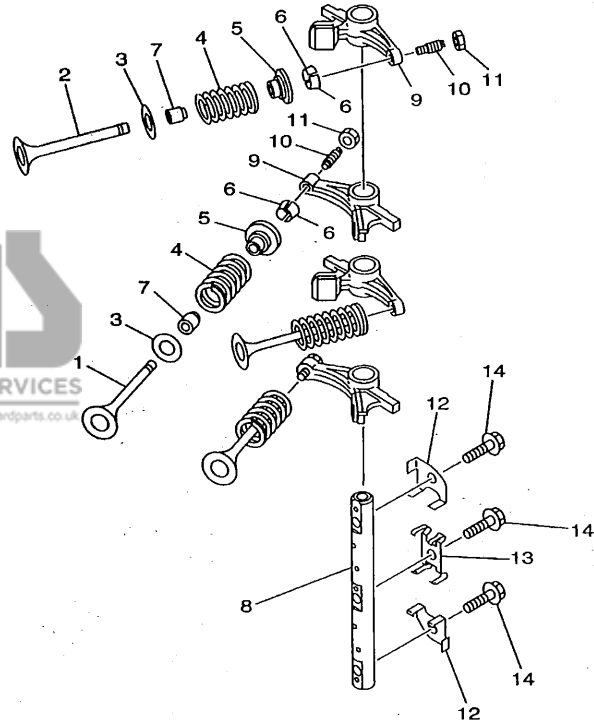


65WJA-8030

B1

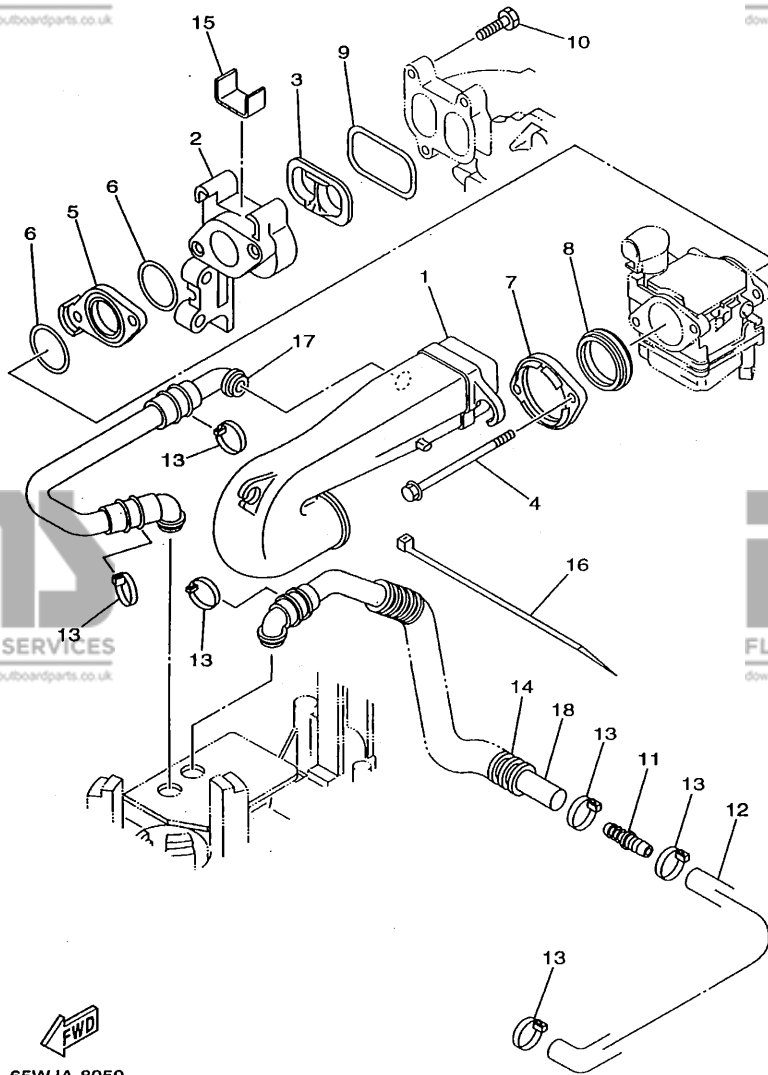
FIG. 4 VALVE

SOUPAPE



REF. NO.	PART NO. NO. PIECES	DESCRIPTION DESCRIPTION	u	u	u	REMARKS REMARQUES
1	65W-12111-00	VALVE, INTAKE SOUPAPE, ADMISSION	2	2	2	
2	62Y-12121-00	VALVE, EXHAUST SOUPAPE, ECHAPPEMENT	2	2	2	
3	62Y-12116-00	SEAT, VALVE SPRING SIEGE, RESSORT DE SOUPAPE	4	4	4	
4	51Y-12114-00	SPRING, VALVE OUTER RESSORT DE SOUPAPE, EXTERNE	4	4	4	
5	30X-12117-00	RETAINER, VALVE SPRING BUTEE DE RESSORT DE SOUPAPE	4	4	4	
6	30X-12118-00	COTTER, VALVE FRAISE, SOUPAPE	8	8	8	
7	51Y-12119-00	SEAL, VALVE STEM JOINT, QUEUE DE SOUPAPE	4	4	4	
8	65W-12146-00	SHAFT, ROCKER AXE, CULBUTEUR	1	1	1	
9	65W-12151-00	ARM, VALVE ROCKER CULBUTEUR	4	4	4	
10	62Y-12159-00	SCREW, VALVE ADJUSTING VIS, REGLAGE DE SOUPAPE	4	4	4	
11	62Y-12158-00	NUT, LOCK CONTRE-ECROU	4	4	4	
12	62Y-12238-00	PLATE, BOLT STOPPER PLAQUE, BUTEE DE BOULON	2	2	2	
13	62Y-12216-00	SPRING RESSORT	1	1	1	
14	90109-08M63	BOLT BOULON	3	3	3	

FWD
65WJA-8040



65WJA-8050

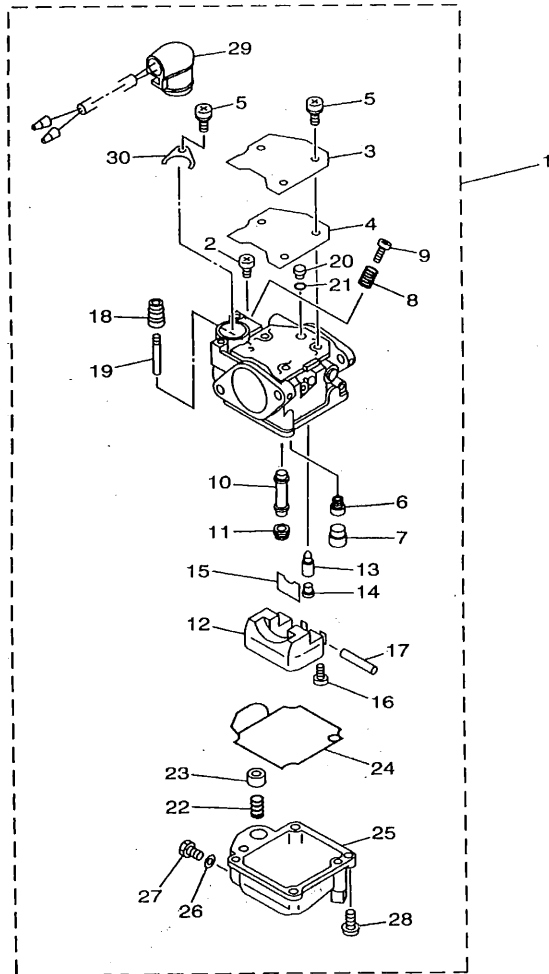
FIG. 5 INTAKE

ADMISSION

REF. NO.	PART NO. NO. PIECES	DESCRIPTION DESCRIPTION	W	T W	L W	REMARKS REMARQUES
1	65W-14440-00	SILENCER ASSY, INTAKE SIENCIEUX D'ADMISSION	1	1	1	
2	65W-13640-00	MANIFOLD TUBULURE	1	1	1	
3	65W-13323-00	INSERT PIECE RAPPORTEE	1	1	1	
4	65W-14496-00	BOLT BOULON	2	2	2	
5	65W-14271-00	INSULATOR ISOLATEUR	1	1	1	
6	65W-14198-00	GASKET JOINT	2	2	2	
7	65W-14262-00	FLANGE COLLERETTE	1	1	1	
8	65W-14457-00	SEAL JOINT	1	1	1	
9	65W-13645-00	GASKET, MANIFOLD 1 JOINT, TUBULURE 1	1	1	1	
10	97595-06525	BOLT, WITH WASHER VIS HEXAGONAL	3	3	3	
11	65W-24377-00	PIPE, JOINT 3 DURITE RACCORDEMENT	1	1	1	
12	65W-15397-00	HOSE DURITE	1	1	1	
13	90465-13M36	CLAMP BRIDE	6	6	6	
14	90446-24M54	HOSE DURITE	1	1	1	
15	65W-14409-00	DAMPER AMORTISSEUR	1	1	1	
16	90465-11M52	CLAMP BRIDE	1	1	1	
17	65W-15370-00	BREATHER ASSY RESPIRADERO	1	1	1	
18	65W-15370-10	BREATHER ASSY RESPIRADERO	1	1	1	

FIG. 6 CARBURETOR

CARBURATEUR

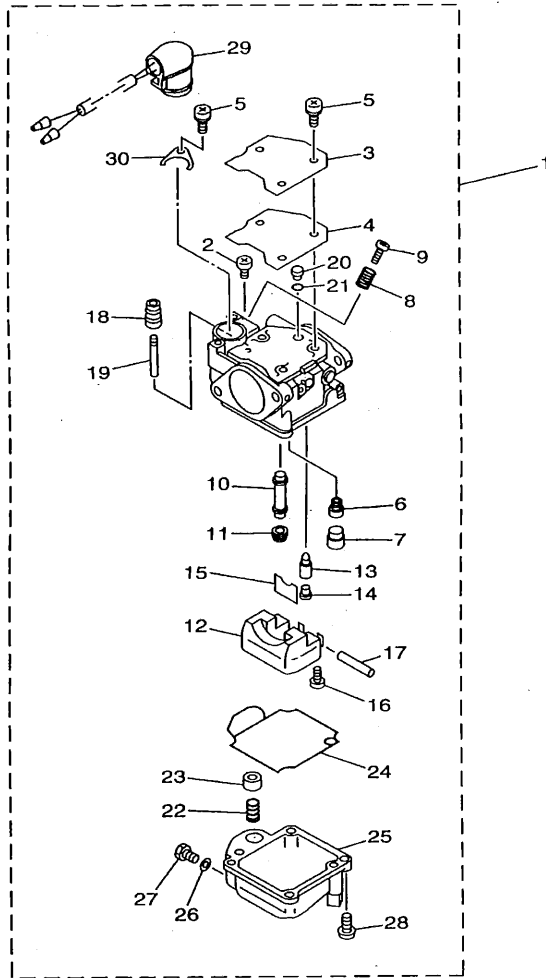


REF. NO.	PART NO. NO. PIECES	DESCRIPTION DESCRIPTION	W	U	U	REMARKS REMARQUES
1	65W-14901-00	CARBURETOR ASSY 1	1	1	1	UR
	65W-14901-21	CARBURATEUR 1 COMPLET	1	1	1	UR *ECM
2	98580-04006	.SCREW, PAN HEAD .VIS, TETE TRONCONIQUE	1	1	1	
3	65W-14572-00	.PLATE .PLAQUE	1	1	1	
4	65W-14126-00	.GASKET .JOINT	1	1	1	
5	97803-04010	.SCREW, PAN HEAD .VIS, TETE TRONCONIQUE	4	4	4	
6	676-14948-07	.JET (#50) .GICLEUR (#50)	1	1	1	UR
	65W-14948-07	.JET (#50) .GICLEUR (#50)	1	1	1	UR *ECM
7	679-14966-00	.RUBBER CAP .CAOUTCHOUC CASQUILLO	1	1	1	
8	90501-10326	.SPRING, COMPRESSION .RESSORT, COMPRESSION	1	1	1	
9	63V-14523-00	.SCREW, STOP .VIS, BUTEE	1	1	1	
10	65W-14947-00	.JET, NEEDLE .GICLEUR DE STARTER	1	1	1	UR
	65W-14947-20	.JET, NEEDLE .GICLEUR DE STARTER	1	1	1	UR *ECM
11	65W-14943-29	.JET, MAIN (#110) .GICLEUR, PRINCIPAL (#110)	1	1	1	UR
	65W-14943-28	.JET, MAIN (#105) .GICLEUR, PRINCIPAL (#105)	1	1	1	UR *ECM
12	63V-14985-00	.FLOAT .FLOTTEUR	1	1	1	
13	6G1-14546-00	.VALVE, NEEDLE .POINTEAU	1	1	1	
14	676-14186-00	.PIN, FLOAT .AXE, FLOTTEUR	1	1	1	
15	663-14159-00	.CLIP .JONC	1	1	1	
16	98580-04008	.SCREW, PAN HEAD .VIS, TETE TRONCONIQUE	1	1	1	
17	6H4-14548-00	.PIN, FLOAT ARM .AXE, BRAS DE FLOTTEUR	1	1	1	
18	65W-14373-00	.COVER, PLUNGER CAP .COUVERCLE DE PLONGEUR	1	1	1	
19	65W-14379-00	.ROD, STARTER .TRINGLE, STARTER	1	1	1	
20	65W-1414F-00	.JET, PILOT (#52) .GICLEUR, RALENTI (#52)	1	1	1	UR

*ECM: FOR EMISSION CONTROL MODEL.
*ECM: POUR MODELE CONTROLÉ D' EMISSIONS.



65WJA-8080



FWD
65WJA-8060

FIG. 6 CARBURETOR

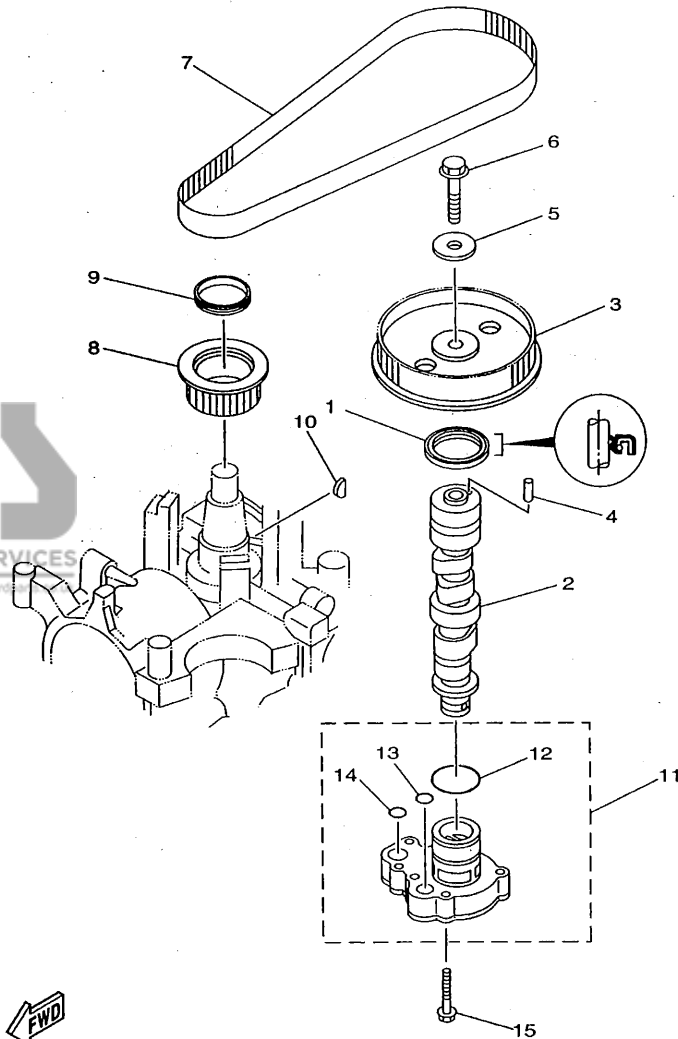
CARBURATEUR

REF. NO.	PART NO. NO. PIECES	DESCRIPTION DESCRIPTION	U	T	U	REMARKS REMARQUES
20	65W-1414J-08	.JET, PILOT (#52) .GICLEUR, RALENTI (#52)	1	1	1	UR *ECM
21	65W-14147-00	.O-RING .JOINT TORIQUE	1	1	1	
22	65W-14335-00	.SPRING, PLUNGER .RESSORT, PLONGEUR	1	1	1	
23	65W-14371-00	.PLUNGER, STARTER .PLONGEUR, STARTER	1	1	1	
24	65W-14948-00	.GASKET, FLOAT CHAMBER .JOINT, CUVE DE FLOTTEUR	1	1	1	
25	65W-14980-00	.BODY, FLOAT CHAMBER .CORPS, CUVE DE FLOTTEUR	1	1	1	UR
	65W-14980-20	.BODY, FLOAT CHAMBER .CORPS, CUVE DE FLOTTEUR	1	1	1	UR *ECM
26	65W-14398-00	.GASKET .JOINT	1	1	1	
27	65W-14992-00	.SCREW, DRAIN .BOUCHON, PURGE	1	1	1	
28	97980-04114	.SCREW, WITH WASHER .VIS, AVEC RONDELLE	4	4	4	
29	65W-14380-00	.PRIME STARTER ASSY .DEMARREUR D'AMARCAGE ENS.	1	1	1	
30	65W-14346-00	.PLATE .PLAQUE	1	1	1	

*ECM: FOR EMISSION CONTROL MODEL.
*ECM: POUR MODELE CONTROLE D' EMISSIONS.

FIG. 7 OIL PUMP

POMPE A HUILE

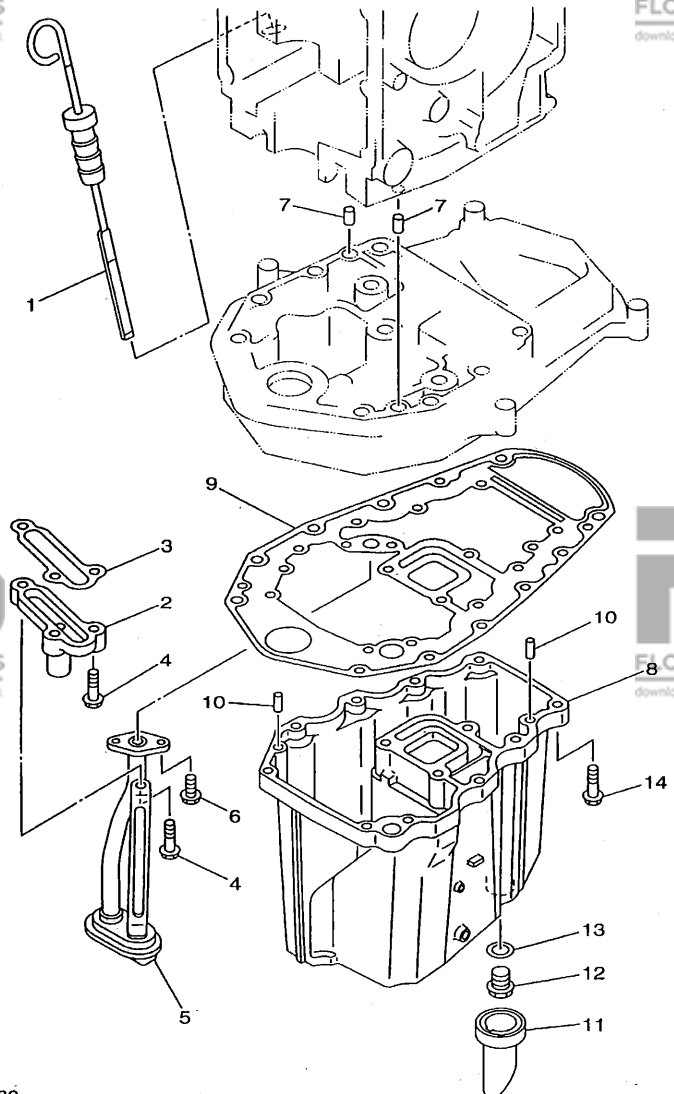


REF. NO.	PART NO. NO. PIECES	DESCRIPTION DESCRIPTION	U	I	L	REMARKS REMARQUES
1	93102-37M40	OIL SEAL JOINT SPY	1	1	1	
2	65W-12171-00	CAMSHAFT 1 ARBRE A CAMES 1	1	1	1	
3	65W-11537-00	GEAR, DRIVEN PIGNON SECONDAIRE	1	1	1	
4	93605-14143	PIN, DOWEL GOUJON	1	1	1	
5	90201-10M06	WASHER, PLATE RONDELLE, PLATE	1	1	1	
6	95895-10040	BOLT, FLANGE BOULON, A COLLERETTE	1	1	1	
7	65W-46241-00	V-BELT COURROIE TRAPEZOIDALE	1	1	1	
8	65W-11536-00	GEAR, DRIVE PIGNON SECONDAIRE	1	1	1	
9	65W-11476-00	SPRING RESSORT	1	1	1	
10	90280-04M06	KEY, WOODRUFF CLAVETTE, DEMI-LUNE	1	1	1	
11	65W-13300-00	OIL PUMP ASSY POMPE A HUILE COMPLET	1	1	1	
12	93210-33MH2	O-RING JOINT TORIQUE	1	1	1	
13	93210-12MG9	O-RING JOINT TORIQUE	1	1	1	
14	93210-14515	O-RING JOINT TORIQUE	1	1	1	
15	97513-06535	BOLT, WITH WASHER VIS HEXAGONAL	4	4	4	

FWD
65WJA-8070

FIG. 8 OIL PAN

VENTILATEUR D'HUILE

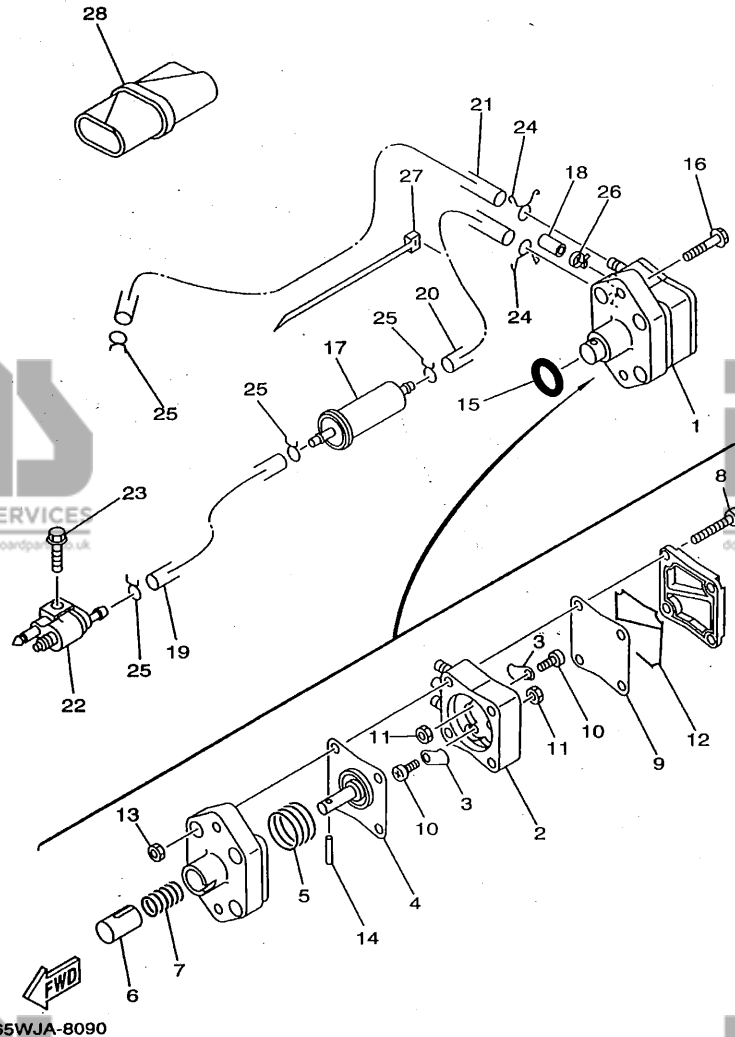


65WJA-8080

REF. NO.	PART NO. NO. PIECES	DESCRIPTION DESCRIPTION	u	U	u	REMARKS REMARQUES
1	65W-15362-00	PLUG, OIL LEVEL PLOT, NIVEAU D'HUILE	1	1	1	
2	62Y-11575-00	RELIEF VALVE ASS'Y SOUPAPE DE RENTREE D'AIR	1	1	1	
3	62Y-13475-00	GASKET JOINT	1	1	1	
4	97513-06525	BOLT, WITH WASHER VIS HEXAGONAL	3	3	3	
5	65W-13411-00	STRAINER, OIL FILTRE, HUILE	1	1	1	
6	97513-06516	BOLT, WITH WASHER VIS HEXAGONAL	2	2	2	
7	93608-12M05	PIN, DOWEL GOUJON	2	2	2	
8	65W-15311-00-5B	OIL PAN VENTILATEUR D'HUILE	1	1	1	
9	62Y-15312-00	GASKET, OIL PAN JOINT DE VENTILATEUR D'HUILE	1	1	1	
10	93606-12019	PIN, DOWEL GOUJON	4	4	4	
11	65W-15316-00	DAMPER, ENGINE MOUNT 1 AMORTISSEUR DE SUPPORT	1	1	1	
12	90340-14M06	PLUG, STRAIGHT SCREW PLOT, FILETE DROIT	1	1	1	
13	90430-14M09	GASKET JOINT	1	1	1	
14	97575-06525	BOLT, WITH WASHER VIS HEXAGONAL	10	10	10	

FIG. 9 FUEL

CARBURANT



65WJA-8090

REF. NO.	PART NO. NO. PIECES	DESCRIPTION DESCRIPTION	u	U	u	REMARKS REMARQUES
1	62Y-24410-02	FUEL PUMP ASSY POMPE A ESSENCE	1	1	1	
2	62Y-24413-00	.BODY 2 .CORPS 2	1	1	1	
3	62Y-24421-01	.VALVE, CHECK .SOUPAPE, RETENUE	2	2	2	
4	62Y-24411-02	.DIAPHRAGM .DIAPHRAGME	1	1	1	
5	62Y-24423-00	.SPRING, DIAPHRAGM .RESSORT, DIAPHRAGME	1	1	1	
6	62Y-13131-01	.PLUNGER .PLONGEUR	1	1	1	
7	62Y-24454-00	.SPRING .RESSORT	1	1	1	
8	62Y-24444-00	.SCREW .VIS	4	4	4	
9	62Y-24471-00	.DIAPHRAGM .DIAPHRAGME	1	1	1	
10	6A0-14325-00	.SCREW, PAN HEAD .VIS TETE CONIQUE	2	2	2	
11	95380-03600	.NUT .ECROU	2	2	2	
12	62Y-24452-00	.COVER .COUVERCLE	1	1	1	
13	95380-05600	.NUT .ECROU	4	4	4	
14	62Y-24374-01	.PIN .PIN	1	1	1	
15	93210-24M79	O-RING JOINT TORIQUE	1	1	1	
16	97595-06530	BOLT, WITH WASHER VIS HEXAGONAL	2	2	2	
17	65W-24251-00	STRAINER 1 FILTRE 1	1	1	1	
18	65W-24481-00	PLUG COUVERCLE	1	1	1	
19	90445-10M33	HOSE DURITE	1	1	1	
20	90445-10M03	HOSE DURITE	1	1	1	
21	90445-10M43	HOSE DURITE	1	1	1	
22	6G1-24304-02	FUEL PIPE JOINT COMP. 1 DURITE RACCORDEMT. A ESSENCE	1	1	1	
23	97595-06525	BOLT, WITH WASHER VIS HEXAGONAL	1	1	1	
24	90467-10M04	CLIP JONC	2	2	2	
25	90467-09M03	CLIP JONC	4	4	4	
26	90465-11M10	CLAMP BRIDE	1	1	1	
27	90465-13M18	CLAMP BRIDE	1	1	1	

FIG. 9 FUEL

CARBURANT

REF. NO.	PART NO. NO. PIECES	DESCRIPTION DESCRIPTION	U	H	L	REMARKS REMARQUES
----------	---------------------	-------------------------	---	---	---	-------------------

28	62Y-28100-00	TOOL KIT TROUSSE A OUTILS	1	1	1	
----	--------------	------------------------------	---	---	---	--

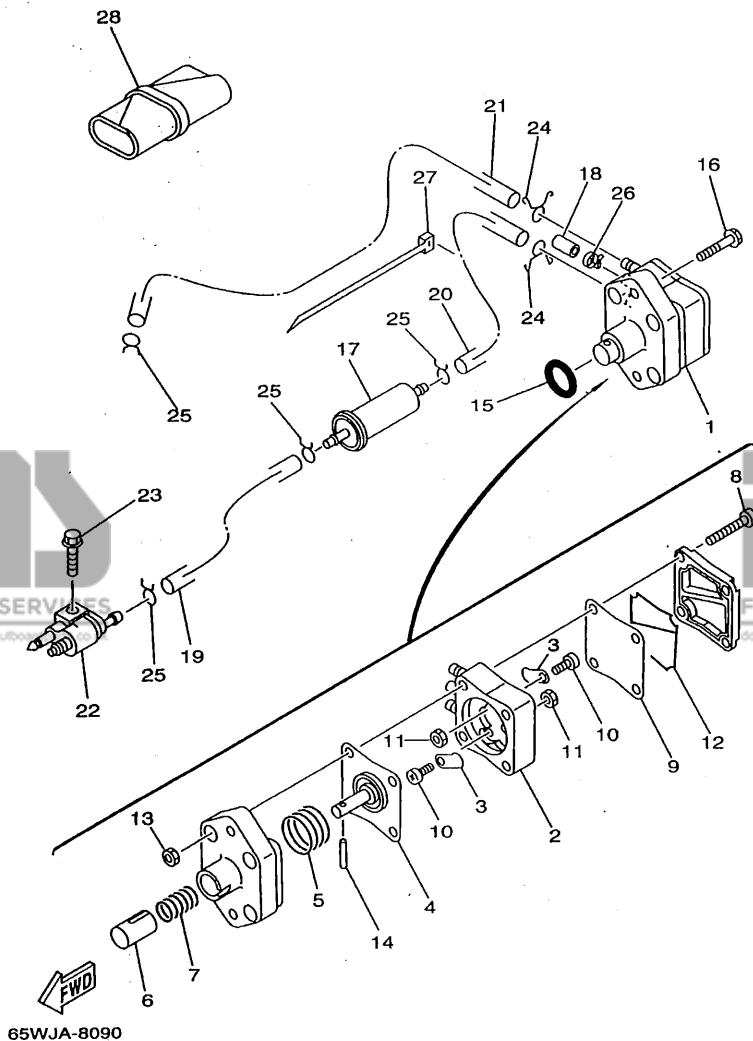
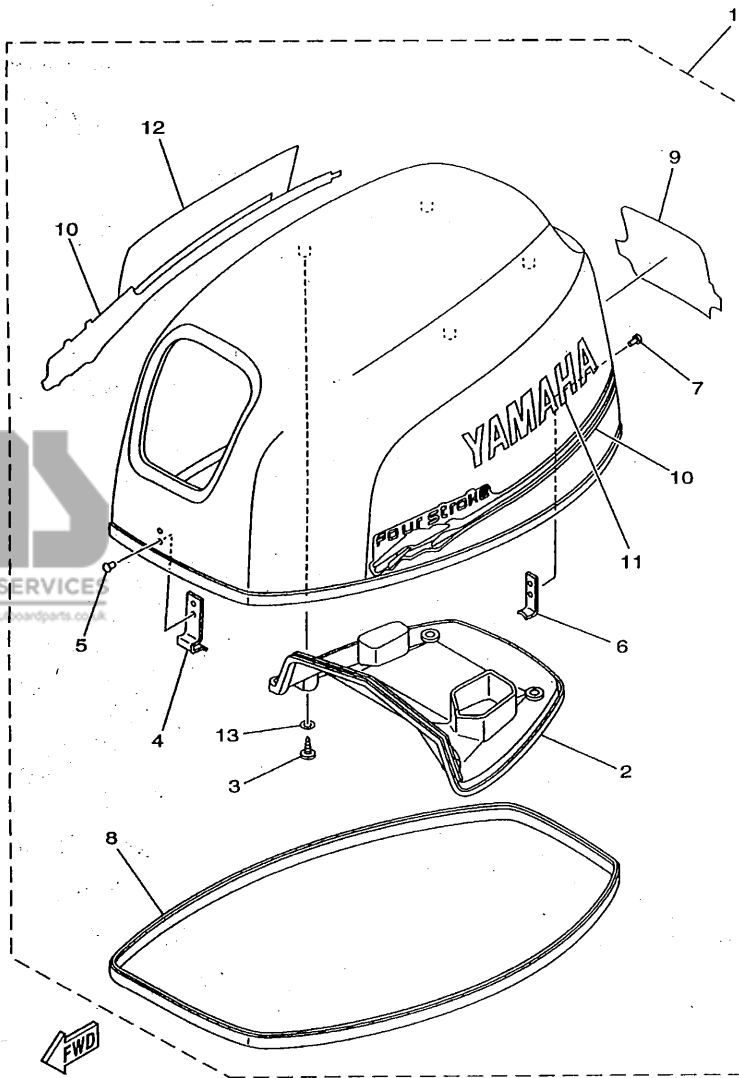


FIG. 10 TOP COWLING

CAPOT SUPERIEUR

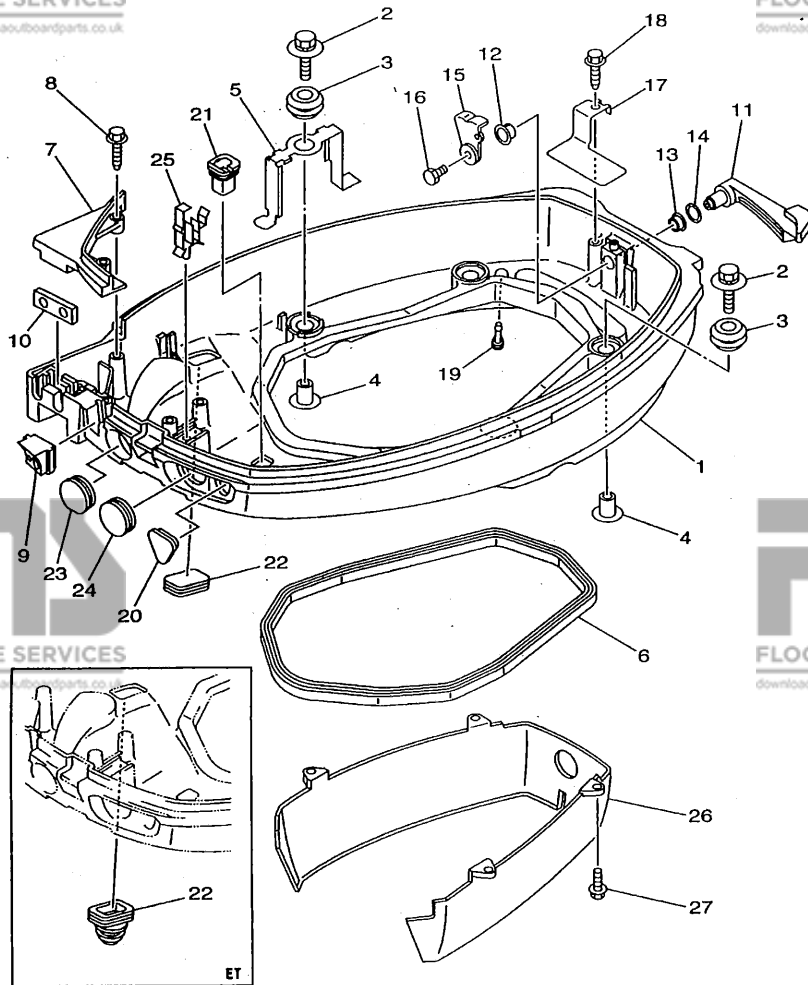


65WJA-8100

REF. NO.	PART NO. NO. PIECES	DESCRIPTION DESCRIPTION	W	T	L	REMARKS REMARQUES
1	65W-42610-00-4D	TOP COWLING ASSY (ENS.)	1	1	1	UR F25A
	65W-42610-30-4D	TOP COWLING ASSY (ENS.)	1	1	1	UR F20A
2	65W-42613-00	.MOLDING, AIR DUCT	1	1	1	
3	97780-60520	.SCREW, TAPPING	4	4	4	
4	6E0-42651-02	.HOOK	1	1	1	
5	90266-04M04	.RIVET	2	2	2	
6	6E7-42652-00	.HOOK	1	1	1	
7	90266-04M04	.RIVET	2	2	2	
8	65W-42615-00	.SEAL	1	1	1	
9	65W-42678-10	.GRAPHIC, REAR	1	1	1	UR F25A
	65W-42678-30	.GRAPHIC, REAR	1	1	1	UR F20A
10	65W-W0070-10	.GRAPHIC SET	1	1	1	
11	65W-42681-10	.MARK, COWLING	1	1	1	
12	65W-42682-10	.MARK, COWLING	1	1	1	
13	90202-05M38	.WASHER, PLATE	4	4	4	

FIG. 11 BOTTOM COWLING

CAPOT INFERIEUR



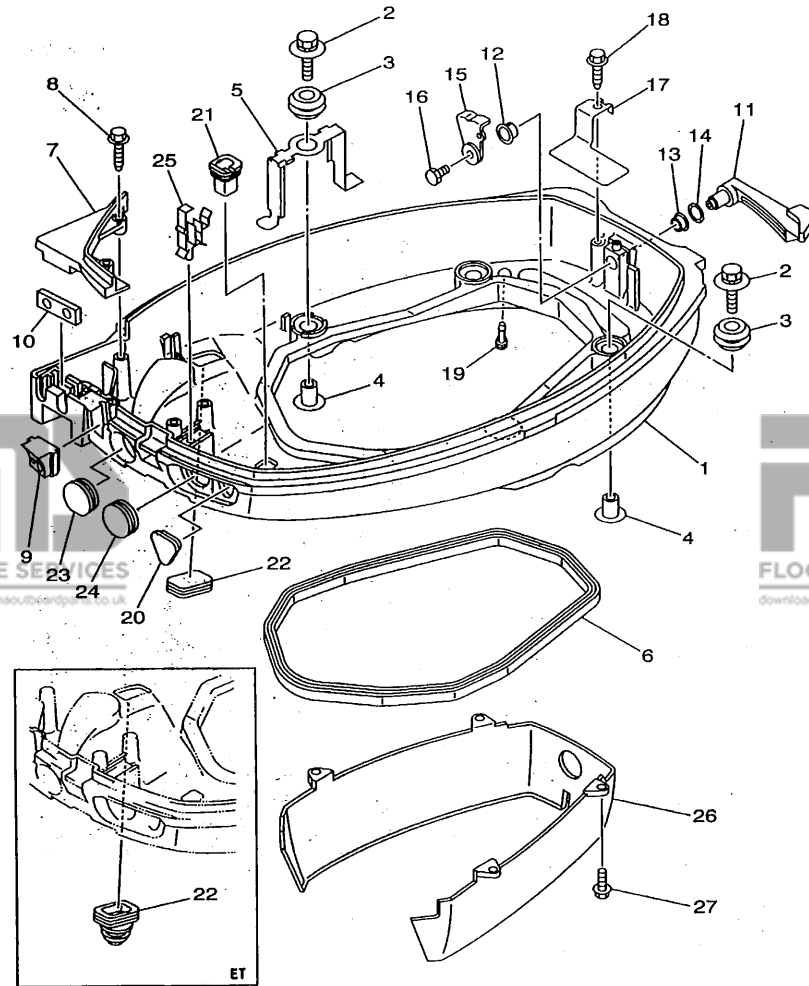
FWD
65WUS-8110

REF. NO.	PART NO. NO. PIECES	DESCRIPTION DESCRIPTION	QTY	QTY	QTY	REMARKS REMARQUES
1	65W-42710-00-4D	BOTTOM COWLING ASSY ENS. EMBASE (REF.NO. 8, 18, FIG.18, REF.NO. 14, 16, FIG.27, REF.NO. 3)	1	1		UR
	65W-42710-10-4D	BOTTOM COWLING ASSY ENS. EMBASE (REF.NO. 8, 18, FIG.18, REF.NO. 14, 16, FIG.27, REF.NO. 3)			1	UR PTT
2	90119-06M08	BOLT, WITH WASHER BOULON, AVEC RONDELLE	4	4	4	
3	90480-09M12	GROMMET PASSE-FIL	4	4	4	
4	90387-06M69	COLLAR COLLERETTE	4	4	4	
5	65W-42743-00	BRACKET SUPPORT	2	2	2	
6	62Y-42716-00	RUBBER, SEAL 1 JOINT EN CAOUTCHOUC 1	1	1	1	
7	65W-42738-00-4D	PLATE, FITTING ETRIER	1	1	1	
8	90109-06M82	BOLT BOULON	2	2	2	
9	65W-42725-10	GROMMET PASSE-FIL			1	UR
	65W-42725-20	GROMMET PASSE-FIL			1	UR
10	62Y-42727-00	GROMMET PASSE-FIL	1		1	UR
	65W-42727-00	GROMMET PASSE-FIL			1	UR
11	65W-42815-00-4D	LEVER, CLAMP LEVIER, PRESSE	1	1	1	
12	90386-12M37	BUSH DOUILLE	1	1	1	
13	90386-12MA2	BUSH DOUILLE	1	1	1	
14	90206-12052	WASHER, WAVE RONDELLE, ONDULEE	1	1	1	
15	6L2-42816-00	LEVER, CLAMP LEVIER, PRESSE	1	1	1	
16	97095-06012	BOLT BOULON	1	1	1	
17	65W-42766-00	BRACKET SUPPORT	1	1	1	
18	90109-06M86	BOLT BOULON	1	1	1	
19	6H3-44391-01	NIPPLE, HOSE RACCORD D'ESSENCE	1	1	1	
20	65W-26326-00	GROMMET RONDELLE CAOUTCHOUC			1	UR

C4

FIG. 11 BOTTOM COWLING

CAPOT INFERIEUR



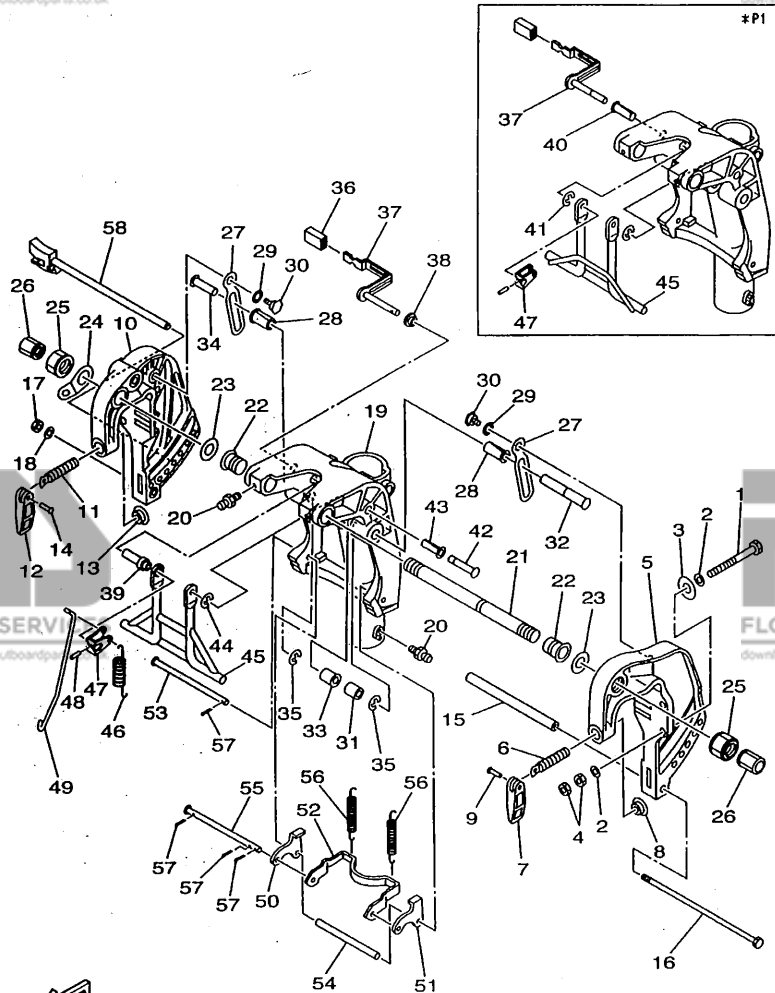
REF. NO.	PART NO. NO. PIECES	DESCRIPTION DESCRIPTION	u	u	u	REMARKS REMARQUES
20	65W-26326-10	GROMMET RONDELLE CAOUTCHOUC	1		1	UR
21	682-42727-00	GROMMET PASSE-FIL	1	1	1	
22	6H1-42726-10	GROMMET PASSE-FIL			1	UR
	6H4-42726-00	GROMMET PASSE-FIL	1	1		UR
23	6G1-42725-00	GROMMET PASSE-FIL	1		1	
24	65W-42726-00	GROMMET PASSE-FIL			1	UR
	65W-42726-10	GROMMET PASSE-FIL	1		1	UR
25	90465-25M57	CLAMP BRIDE	1	1	1	
26	65W-42741-00	APRON CAPOT LATERAL	1	1	1	
27	97595-06518	BOLT, WITH WASHER VIS HEXAGONAL	4	4	4	



65WUS-8110

FIG. 12 BRACKET 1

SUPPORT 1



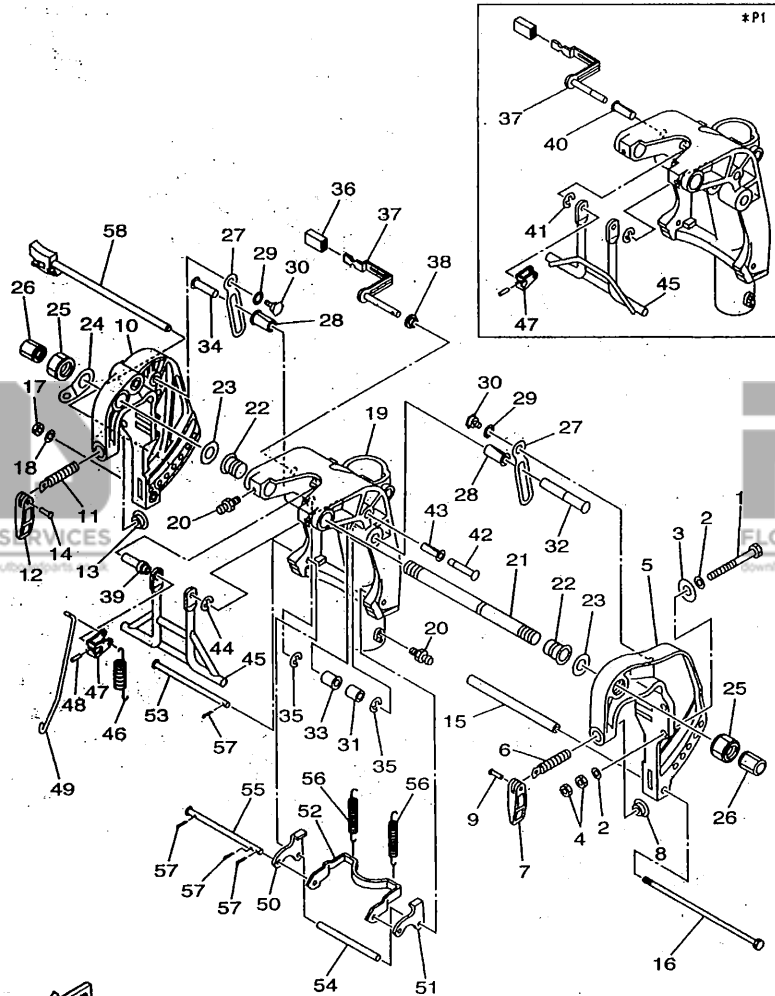
65WJA-8121

REF. NO.	PART NO. NO. PIECES	DESCRIPTION DESCRIPTION	U	U	U	REMARKS REMARQUES
1	90101-10M58	BOLT BOULON	4			
2	92995-10600	WASHER RONDELLE	8			
3	90201-12426	WASHER, PLATE RONDELLE, PLATE	4			
4	95380-10600	NUT ECROU	8			
5	65W-43111-01-4D	BRACKET, CLAMP PRESSE	1	1		*N2
6	65W-43111-00-4D	BRACKET, CLAMP PRESSE	1	1		*P2
7	90149-14M12	SCREW VIS	1	1		
8	663-43118-01-4D	HANDLE, TRANSOM CLAMP POIGNEE DE VIS DE PRESSE	1	1		
9	648-43114-01	PAD, TRANSOM CLAMP RONDELLE D'APPUI	1	1		
10	90243-04007	PIN GOUPILLE	1	1		
11	65W-43112-01-4D	BRACKET, CLAMP PRESSE	1	1		*N2
12	65W-43112-00-4D	BRACKET, CLAMP PRESSE	1	1		*P2
13	90149-14M12	SCREW VIS	1	1		
14	663-43118-01-4D	HANDLE, TRANSOM CLAMP POIGNEE DE VIS DE PRESSE	1	1		
15	648-43114-01	PAD, TRANSOM CLAMP RONDELLE D'APPUI	1	1		
16	90243-04007	PIN GOUPILLE	1	1		
17	90387-08M29	COLLAR COLLERETTE	1	1		
18	90101-08M76	BOLT BOULON	1	1		
19	95380-08600	NUT ECROU	1	1		
20	92990-08100	WASHER, SPRING RONDELLE, GROWER	1	1		
21	65W-43311-00-4D	BRACKET, SWIVEL SUPPORT, PIVOT	1	1		UR'S
		*N2: F20AEH S: 700101 ~ F20AE S: 100142 ~ L: 800101 ~ L: 500101 ~ F25AEH S: 050253 ~ F25AE S: 000153 ~ L: 350421 ~ L: 300389 ~				
		*P2: F20AEH S: ~ F20AE S: ~ 100141 L: ~ L: ~ F25AEH S: ~ 050252 F25AE S: ~ 000152 L: ~ 350420 L: ~ 300388				

C6

FIG. 12 BRACKET 1

SUPPORT 1



REF. NO.	PART NO. NO. PIECES	DESCRIPTION DESCRIPTION	u	U	U	REMARKS REMARQUES
19	65W-43311-10-4D	BRACKET, SWIVEL SUPPORT, PIVOT	1	1		URL
20	93700-06M03	NIPPLE, GREASE GRAISSEUR		1		
	93700-06M03	NIPPLE, GREASE GRAISSEUR	3			
21	63D-43131-00	BOLT, CLAMP BRACKET BOULON, PRESSE	1	1		
22	90386-22M15	BUSH DOUILLE	2	2		
23	90201-22M03	WASHER, PLATE RONDELLE, PLATE	2	2		
24	6J8-43113-01	PLATE, CLAMP BRACKET PLAQUETTE, PRESSE	1	1		
25	63V-43145-00	CAP, CLAMP BRACKET CAPUCHON, PRESSE	2	2		
26	6G5-43145-00	CAP, CLAMP BRACKET CAPUCHON, PRESSE	2	2		
27	65W-43627-01	STOPPER PLAQUETTE	2	2		
28	90386-12M98	BUSH DOUILLE	2	2		
29	90206-14M23	WASHER, WAVE RONDELLE, ONDULEE	2	2		
30	90109-08M87	BOLT BOULON	2	2		
31	90387-12M04	COLLAR COLLERETTE	1	1		
32	90249-12M39	PIN GOUPILLE	1	1		
33	90386-12MA0	BUSH DOUILLE	1	1		
34	90249-12M34	PIN GOUPILLE	1	1		
35	93430-10M00	CIRCLIP CIRCLIP, TYPE S	2	2		
36	663-43318-00	COVER CAPUCHON	1	1		
37	65W-43630-10	TILT LEVER ASSY LEVIER D'INCLINAISON	1	1		*N1
	65W-43630-00	TILT LEVER ASSY LEVIER D'INCLINAISON	1	1		*P1
*N1: F20AEH S: 700121 ~ F20AE S: 100362 ~						
L: 800126 ~ L: 500101 ~						
F25AEH S: 050406 ~ F25AE S: 000178 ~						
L: 350695 ~ L: 300672 ~						
*P1: F20AEH S: ~ 700120 F20AE S: ~ 100361						
L: ~ 800125 L: ~						
F25AEH S: ~ 050405 F25AE S: ~ 000177						
L: ~ 350694 L: ~ 300671						

65WJA-8121

FIG. 12 BRACKET 1

SUPPORT 1

REF. NO.	PART NO. NO. PIECES	DESCRIPTION DESCRIPTION	W	H	L	REMARKS REMARQUES
38	90386-07MA2	BUSH DOUILLE	1	1		*N1
39	90387-07M05	COLLER COLLERETTE	1	1		*N1
40	90386-10M99	BUSH DOUILLE	1	1		*P1
41	99080-08600	CIRCLIP CIRCLIP	1	1		*P1
42	90249-10M31	PIN GOUPILLE	1	1		
43	90386-10M99	BUSH DOUILLE	1	1		
44	99080-08600	CIRCLIP CIRCLIP	1	1		
45	66T-43350-01	RECEIVER ASSY	1	1		*N1
	66T-43350-00	RECEIVER ASSY	1	1		*N3
	65W-43350-00	RECEIVER ASSY	1	1		*P2
46	90506-20M37	SPRING, TENSION RESSORT, TENSION	1	1		*N2

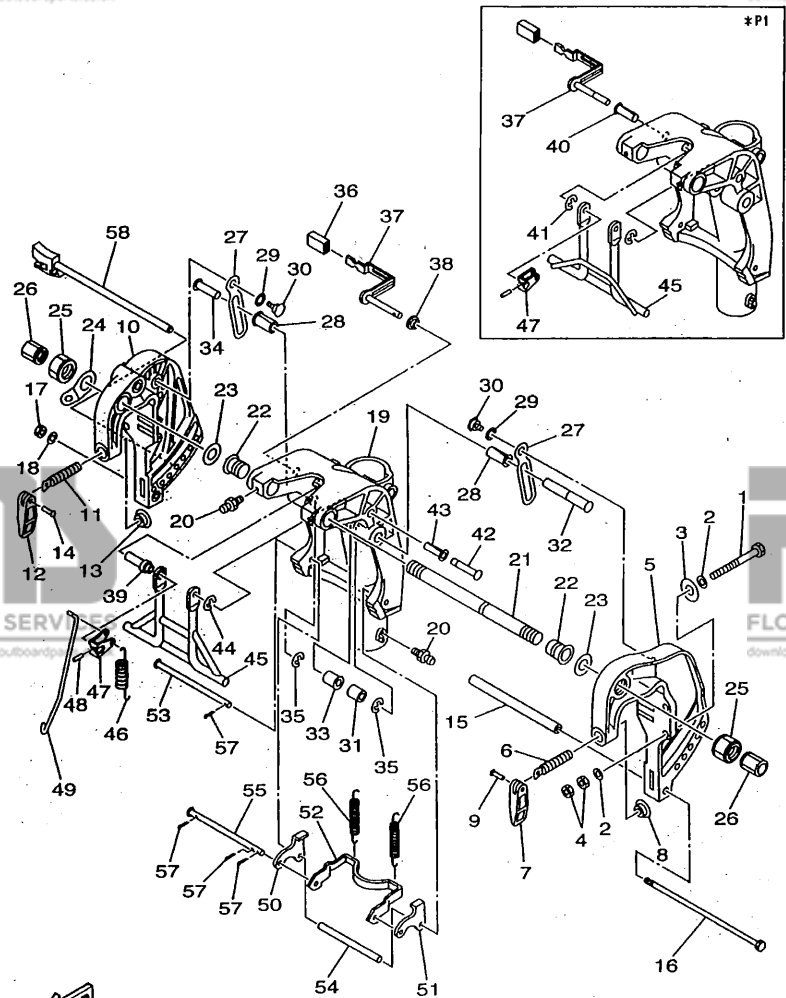
*N1: F20AEH S: 700121 ~ F20AE S: 100362 ~
L: 800126 ~ L: 500101 ~
F25AEH S: 050406 ~ F25AE S: 000178 ~
L: 350695 ~ L: 300672 ~

*N2: F20AEH S: 700101 ~ F20AE S: 100142 ~
L: 800101 ~ L: 500101 ~
F25AEH S: 050253 ~ F25AE S: 000153 ~
L: 350421 ~ L: 300389 ~

*N3: F20AEH S: 700101 ~ 700120
L: 800101 ~ 800125
F20AE S: 100142 ~ 100361
L: 500101 ~
F25AEH S: 050253 ~ 050405
L: 350421 ~ 350694
F25AE S: 000153 ~ 000177
L: 300389 ~ 300671

*P1: F20AEH S: ~ 700120 F20AE S: ~ 100361
L: ~ 800125 L: -
F25AEH S: ~ 050405 F25AE S: ~ 000177
L: ~ 350694 L: ~ 300671

*P2: F20AEH S: - F20AE S: ~ 100141
L: - L: -
F25AEH S: ~ 050252 F25AE S: ~ 000152
L: ~ 350420 L: ~ 300388

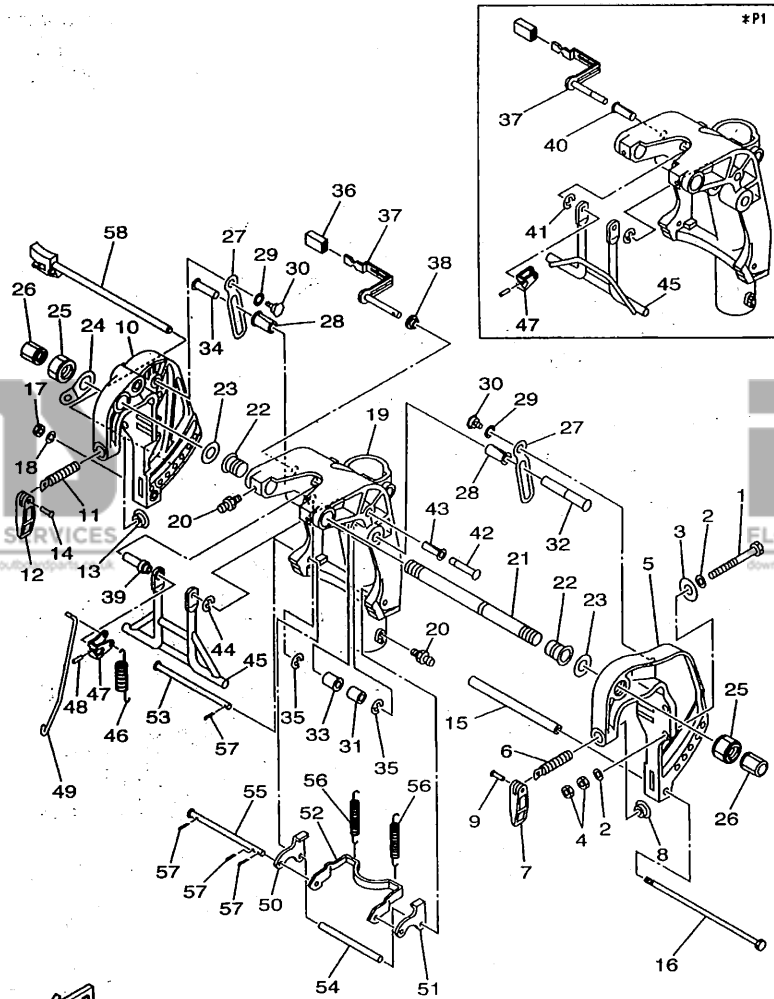


65WJA-8121

D1

FIG. 12 BRACKET 1

SUPPORT 1



REF. NO.	PART NO. NO. PIECES	DESCRIPTION DESCRIPTION	W	H	L	REMARKS REMARQUES
46	90506-20M36	SPRING, TENSION RESSORT, TENSION	1	1		*P2
47	66T-43631-10	LEVER, TILT LEVIER, INCLINAISON	1	1		*N1
	66T-43631-00	LEVER, TILT LEVIER, INCLINAISON	1	1		*N3
	65W-43631-00	LEVER, TILT LEVIER, INCLINAISON	1	1		*P2
48	91690-30016	PIN, SPRING GOUPILLE, ELASTIQUE	1	1		
49	65W-43616-00	ROD, TILT LOCK TIGE	1	1		
50	65W-43614-00	PLATE, TILT LOCK ETRIER, VERROUILLAGE MARCHE AR	1	1		
51	65W-43615-00	PLATE, TILT LOCK ETRIER, VERROUILLAGE MARCHE AR	1	1		
52	65W-43613-00	ARM, TILT LOCK GUIDE	1	1		
53	90249-07M32	PIN GOUPILLE	1	1		
54	90387-07M29	COLLAR COLLERETTE	1	1		
55	90249-07M33	PIN GOUPILLE	1	1		
56	90506-30M00	SPRING, TENSION RESSORT, TENSION	2	2		
57	91490-20015	PIN, COTTER GOUPILLE, FENDUE	4	4		
58	65W-43160-00	TILT ROD ASSY BROCHE D'INCLINAISON (ENS.)	1	1		

*N1: F20AEH S: 700121 ~ F20AE S: 100362 ~
L: 800126 ~ L: 500101 ~
F25AEH S: 050406 ~ F25AE S: 000178 ~
L: 350695 ~ L: 300672 ~

*N3: F20AEH S: 700101 ~ 700120
L: 800101 ~ 800125
F20AE S: 100142 ~ 100361
L: 500101 ~
F25AEH S: 050253 ~ 050405
L: 350421 ~ 350694
F25AE S: 000153 ~ 000177
L: 300389 ~ 300671

*P2: F20AEH S: - F20AE S: ~ 100141
L: - L: -
F25AEH S: ~ 050252 F25AE S: ~ 000152
L: ~ 350420 L: ~ 300388

65WJA-8121

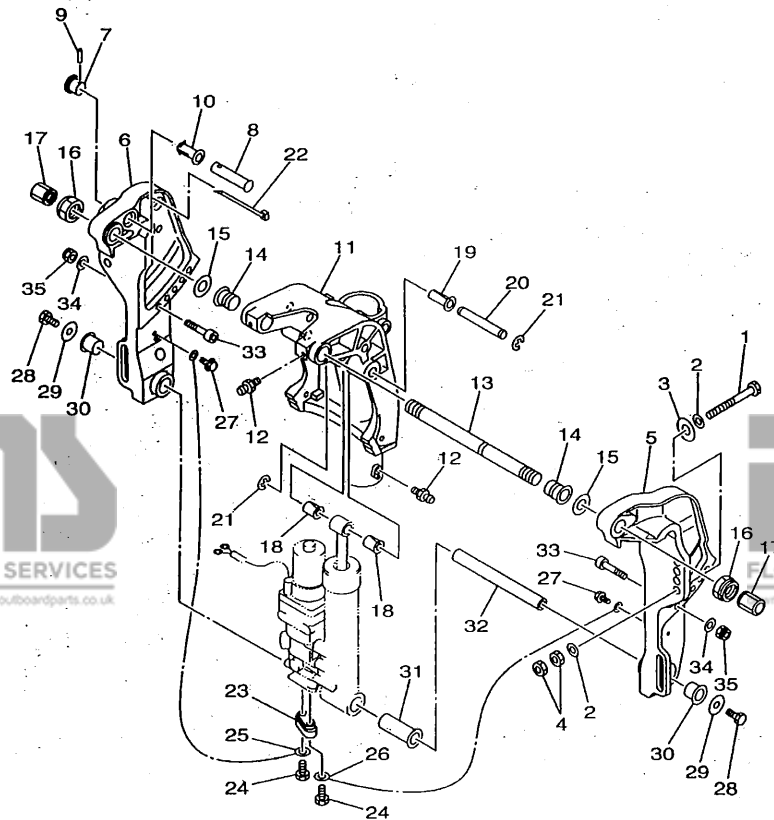


FIG. 13 BRACKET 2

SUPPORT 2

REF. NO.	PART NO. NO. PIECES	DESCRIPTION DESCRIPTION	U	U	U	REMARKS REMARQUES
1	90101-12M65	BOLT BOULON			4	
2	92995-12200	WASHER RONDELLE			8	
3	90201-12426	WASHER, PLATE RONDELLE, PLATE			4	
4	95380-12600	NUT ECROU			8	
5	65W-43111-10-4D	BRACKET, CLAMP PRESSE			1	
6	65W-43112-10-4D	BRACKET, CLAMP PRESSE			1	
7	65W-43192-00	KNOB, STOPPER BOUTON, BUTEE DE RELEVAGE			1	
8	65W-43191-00	SHAFT, STOPPER AXE, BUTEE			1	
9	91690-30018	PIN, SPRING GOUPILLE, ELASTIQUE			1	
10	90386-14MA1	BUSH DOUILLE			1	
11	65W-43311-10-4D	BRACKET, SWIVEL SUPPORT, PIVOT			1	
12	93700-06M03	NIPPLE, GREASE GRAISSEUR			3	
13	363D-43131-00	BOLT, CLAMP BRACKET BOULON, PRESSE			1	
14	90386-22M15	BUSH DOUILLE			2	
15	90201-22M03	WASHER, PLATE RONDELLE, PLATE			2	
16	90185-22M11	NUT, SELF-LOCKING ECROU, AUTO-BLOCANT			2	
17	6G5-43145-00	CAP, CLAMP BRACKET CAPUCHON, PRESSE			2	
18	90386-12MA0	BUSH DOUILLE			2	
19	90386-12M98	BUSH DOUILLE			1	
20	90249-12M38	PIN GOUPILLE			1	
21	93430-10M00	CIRCLIP CIRCLIP, TYPE S			2	
22	90465-13M11	CLAMP BRIDE			2	
23	65W-45251-00	ANODE ANODE			1	
24	97085-06025	BOLT BOULON			2	
25	6H1-82148-00	WIRE, LEAD 4 FIL 4			1	
26	6U0-82127-00	WIRE, LEAD 2 FIL 2			1	
27	97595-06514	BOLT, WITH WASHER VIS HEXAGONAL			2	

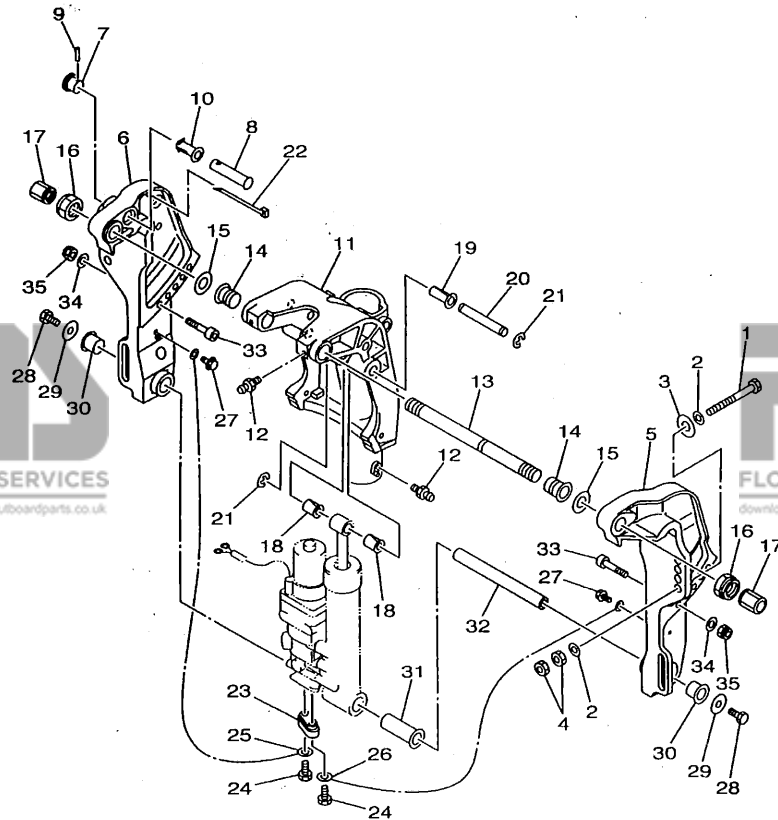


65WUS-8131

D3

FIG. 13 BRACKET 2

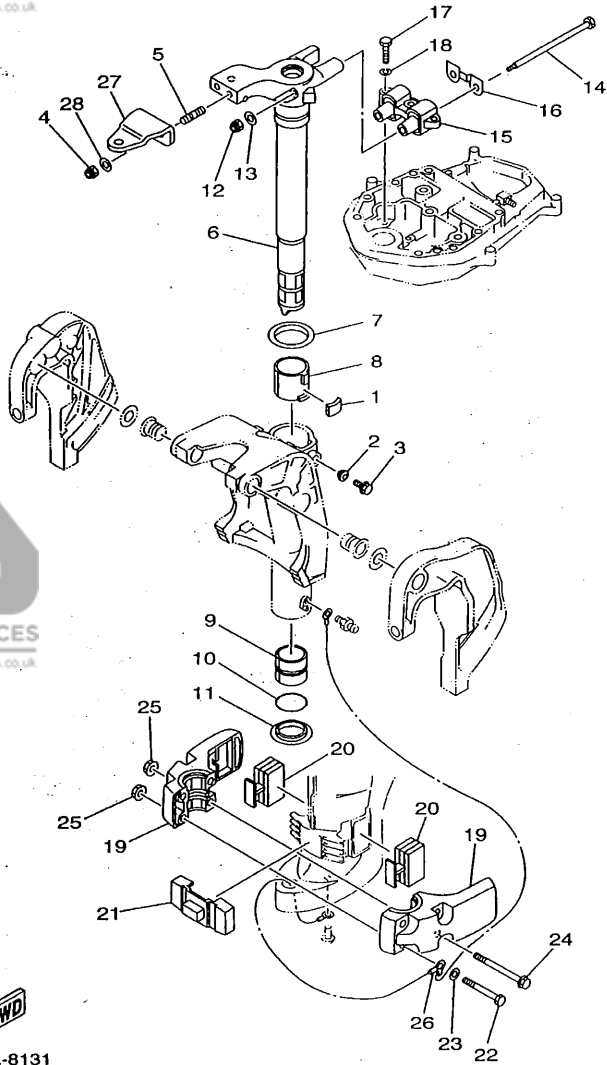
SUPPORT 2



REF. NO.	PART NO. NO. PIECES	DESCRIPTION DESCRIPTION	W	H	ET	REMARKS REMARQUES
28	97080-08016	BOLT BOULON			2	
29	90201-08M00	WASHER, PLATE RONDELLE, PLATE			2	
30	90386-18M44	BUSH DOUILLE			2	
31	90386-18MA0	BUSH DOUILLE			1	
32	90249-18M35	PIN GOUPILLE			1	
33	90110-10M02	BOLT, HEXAGON SOCKET HEAD BOULON, TETE HEXAGONALE CREUSE			2	
34	92995-10600	WASHER RONDELLE			2	
35	90185-10M13	NUT, SELF-LOCKING ECROU, AUTO-BLOCANT			2	



65WUS-8131

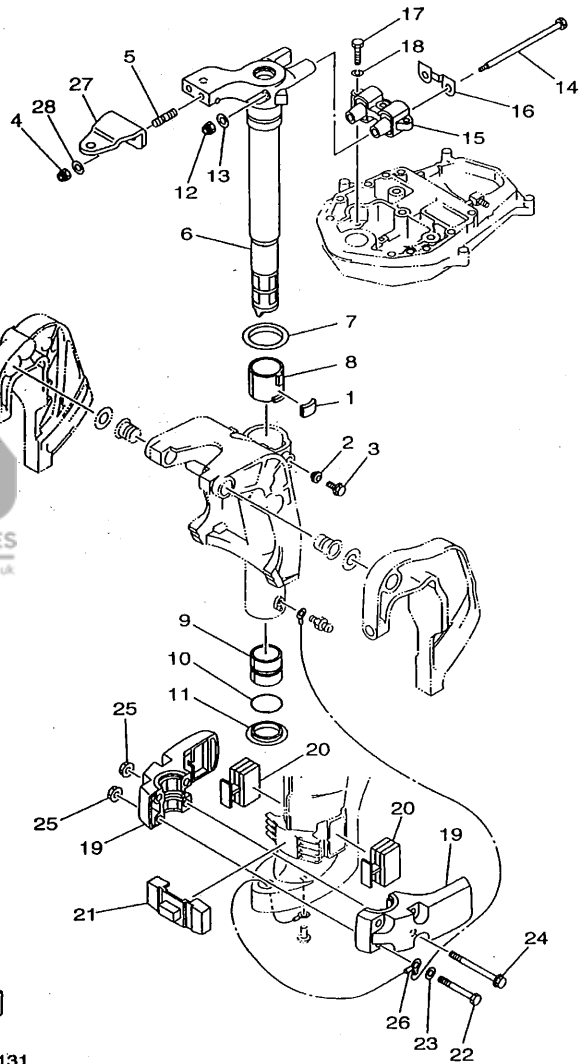


FWD
65WJA-8131

FIG. 14 BRACKET 3

SUPPORT 3

REF. NO.	PART NO. NO. PIECES	DESCRIPTION DESCRIPTION	U	I	L	REMARKS REMARQUES
1	648-42528-00	PLATE, FRICTION PLAQUE, FRICTION	1	1	1	
2	65W-43373-00	SEAL, DAMPER JOINT	1	1	1	
3	90105-08M76	BOLT, WASHER BASED BOULON, AVEC RONDELLE	1	1	1	
4	90185-10051	NUT, SELF-LOCKING ECROU, AUTO-BLOCANT	2	2	2	
5	90116-10M28	BOLT, STUD GOUJON	2	2	2	
6	65W-42511-00-4D	BRACKET, STEERING CADRE, DIRECTION	1	1		UR S
	65W-42511-10-4D	BRACKET, STEERING CADRE, DIRECTION	1	1	1	UR L
7	90209-52M00	WASHER RONDELLE	1	1	1	
8	90386-52M02	BUSH DOUILLE	1	1	1	
9	90386-44M03	BUSH DOUILLE	1	1	1	
10	93210-43MJ0	O-RING JOINT TORIQUE	1	1	1	
11	90386-44M99	BUSH DOUILLE	1	1	1	
12	90185-08045	NUT, SELF-LOCKING ECROU, AUTO-BLOCANT	2	2	2	
13	92995-08200	WASHER RONDELLE	2	2	2	
14	90101-08M86	BOLT BOULON	2	2	2	
15	65W-44514-00-4D	MOUNT DAMPER, UPPER SIDE SILENT-BLOC, SUPERIEUR LATERAL	1	1	1	
16	63D-44526-00	PLATE PLAQUE	1	1	1	
17	97075-08030	BOLT BOULON	3	3	3	
18	92995-08100	WASHER RONDELLE	3	3	3	
19	65W-44551-10-4D	HOUSING, LOWER MOUNT RUBBER BOITIER, SILENT-BLOC INFERIEUR	2	2	2	
20	65W-44555-00	MOUNT DAMPER, LOWER SIDE SILENT-BLOC, INFERIEUR LATERAL	2	2	2	
21	65W-44575-00	DAMPER, LOWER MOUNT RUBBER SILENT-BLOC, INFERIEUR	1	1		UR S
	65W-44575-10	DAMPER, LOWER MOUNT RUBBER SILENT-BLOC, INFERIEUR	1	1	1	UR L
22	97075-10070	BOLT BOULON	2	2	2	
23	92995-10600	WASHER RONDELLE	2	2	2	
24	90119-10M04	BOLT, WITH WASHER BOULON, AVEC RONDELLE	2	2	2	
25	90179-10M33	NUT ECROU	4	4	4	

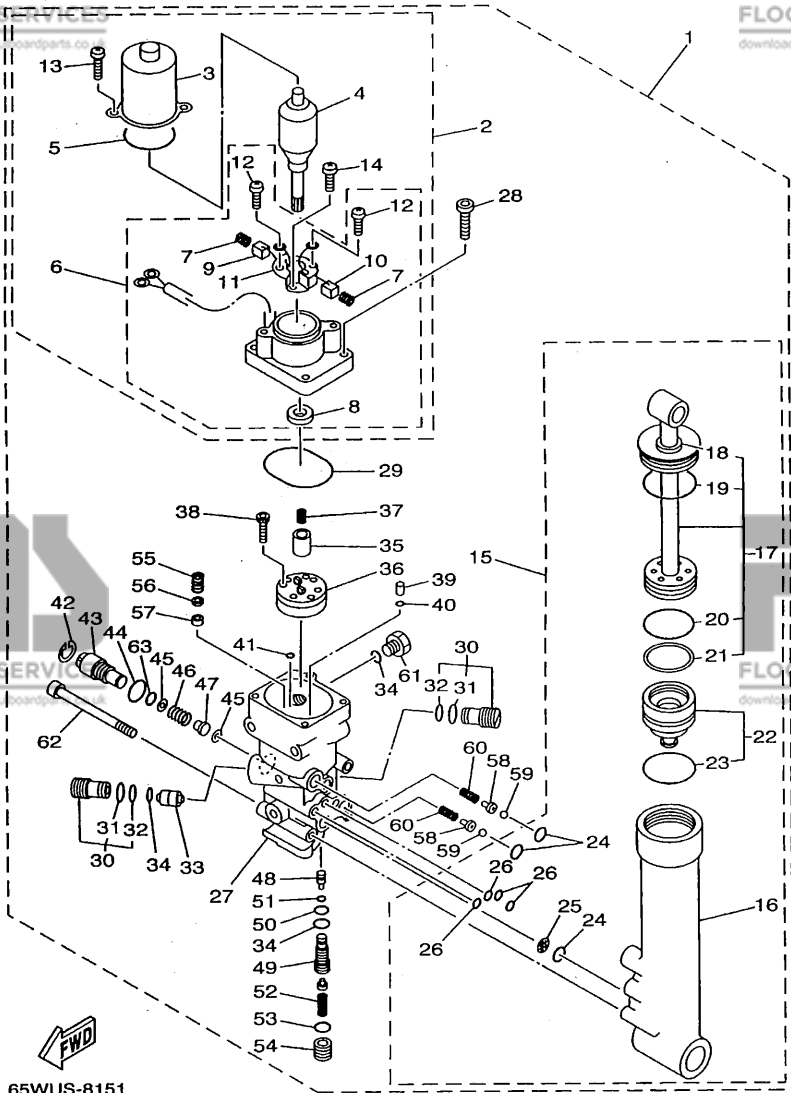


65WJA-8131

FIG. 14 BRACKET 3

SUPPORT 3

REF. NO.	PART NO. NO. PIECES	DESCRIPTION DESCRIPTION	U	I	U	REMARKS REMARQUES
26	65W-82127-10	WIRE, LEAD 2 FIL 2	1	1	1	
27	65W-48511-00	HOOK, STEERING ATTACHE, DIRECTION	1		1	
28	90201-10120	WASHER, PLATE RONDELLE, PLATE	2		2	



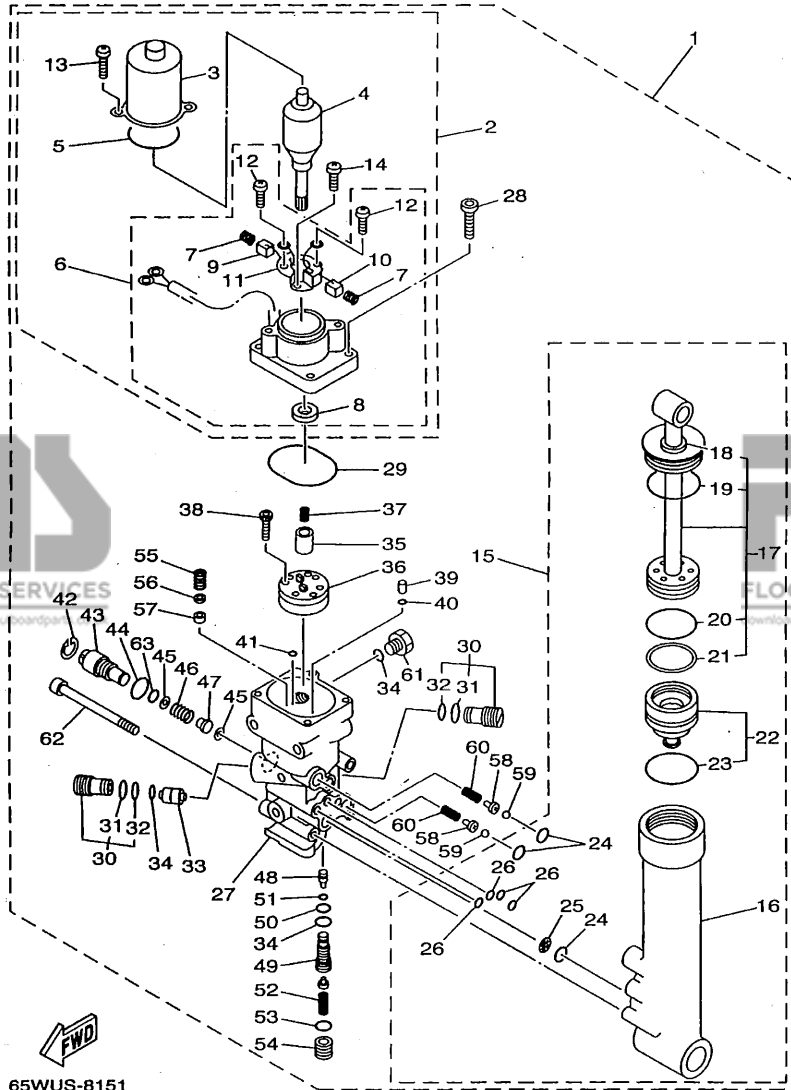
65WUS-8151

FIG. 15 POWER TRIM & TILT ASSY PUISSANCE PARER ET INCLINER

REF. NO.	PART NO. NO. PIECES	DESCRIPTION DESCRIPTION	u	u	u	REMARKS REMARQUES
1	65W-43800-00-4D	POWER TRIM & TILT ASSY PUISSANCE PARER ET INCLINER (E			1	
2	65W-43880-00	..MOTOR ASSY ..MOTEUR (ENS.)			1	
3	65W-43804-00	..STATOR ASSY ..STATOR (ENS.)			1	
4	65W-43805-00	..ARMATURE ASSY ..INDUIT (ENS.)			1	
5	65W-43869-00	..O-RING ..JOINT TORIQUE			1	
6	65W-43881-00	..FRAME, END ..BATI			1	
7	65W-4386K-00	..SPRING, BRUSH ..RESSORT, BALAI			2	
8	65W-43882-00	..OIL SEAL ..JOINT SPI			1	
9	65W-43892-00	..BRUSH 2 ..BALAI 2			1	
10	65W-43891-00	..BRUSH 1 ..BALAI 1			1	
11	65W-4380F-00	..PLATE, BRUSH HOLDER ..PLAQUE			1	
12	65W-43879-00	..SCREW, WITH WASHER ..VIS, AVEC RONDELLE			2	
13	65W-43887-00	..BOLT, THROUGH ..BOULON			2	
14	65W-4388E-00	..BOLT ..BOULON			1	
15	65W-43840-00	..POWER TILT ASSY ..PUISSANCE INCLINER (ENS.)			1	
16	65W-4380K-00	..CYLINDER, TILT SUB ASSY ..CYLINDRE			1	
17	65W-43810-00	..PISTON SUB ASSY ..PISTON AUXILIAIRE (ENS.)			1	
18	65W-43812-00	..SEAL, DUST ..JOINT			1	
19	65W-43865-00	..O-RING ..JOINT TORIQUE			1	
20	6H1-43861-10	..O-RING ..JOINT TORIQUE			1	
21	65W-43871-00	..RING, BACK UP ..SEGMENT			1	
22	65W-4381B-00	..FREE PISTON SUB ASSY ..PISTON AUXILIAIRE (ENS.)			1	
23	6H1-43861-10	..O-RING ..JOINT TORIQUE			1	
24	93210-11368	..O-RING ..JOINT TORIQUE			3	
25	6H1-43816-00	..FILTER 1 ..FILTRE 1			1	
26	93210-064A5	..O-RING ..JOINT TORIQUE			4	
27	65W-4380L-00	..HOUSING, TRIM & TILT SUB ASSY ..CARTER			1	

FIG. 15 POWER TRIM & TILT ASSY

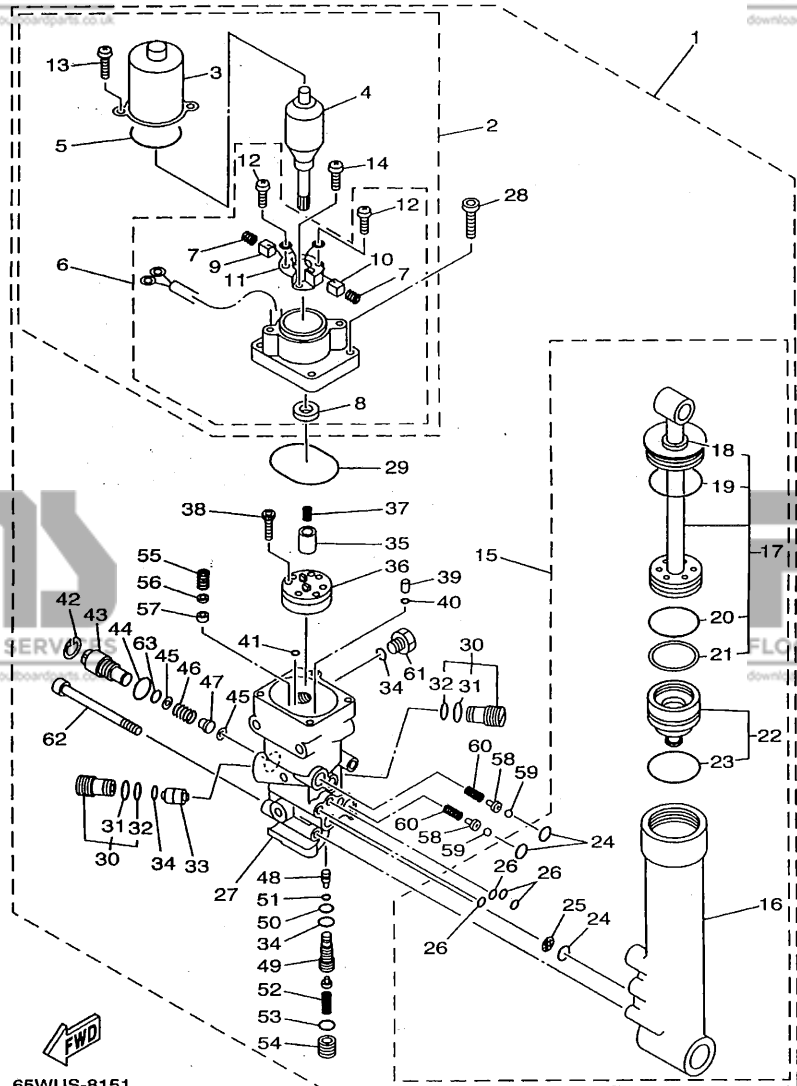
PUISSANCE PAYER ET INCLINER



65WUS-8151

REF. NO.	PART NO. NO. PIECES	DESCRIPTION DESCRIPTION	QTY	REMARKS REMARQUES
28	65W-43888-00	.BOLT, SOCKET .BOULON	4	
29	93210-50768	.O-RING .JOINT TORIQUE	1	
30	6T4-43802-03	.VALVE SUB ASSY .CLAPET AUXILIAIRE (ENS.)	2	
31	6H1-43866-00	.O-RING .JOINT TORIQUE	1	
32	6H1-43867-00	.O-RING .JOINT TORIQUE	1	
33	62X-43841-00	.PISTON, SHUTTLE .PISTON	1	
34	93210-09165	.O-RING .JOINT TORIQUE	3	
35	65W-43831-00	.CONNECTOR, SHAFT .RACCORD	1	
36	65W-43830-00	.GEAR PUMP ASSY .POMPE A PIGNON (ENS.)	1	
37	6T4-43853-00	.SPRING, MAIN VALVE .RESSORT	1	
38	91318-04025	.BOLT .BOULON	4	
39	65W-43817-00	.FILTER 2 .FILTRE 2	2	
40	65W-43861-00	.O-RING .JOINT TORIQUE	2	
41	65W-43862-00	.O-RING .JOINT TORIQUE	2	
42	6H1-43875-00	.RING, SNAP .RESSORT	1	
43	6H1-43845-00	.SCREW, MANUAL RELEASE .VIS	1	
44	93210-18397	.O-RING .JOINT TORIQUE	1	
45	6H1-43847-00	.SEAT, MANUAL VALVE .SIEGE	2	
46	65W-43854-00	.SPRING, MANUAL RELEASE .RESSORT	1	
47	65W-4382A-00	.ADAPTOR 1 .ADAPTEUR 1	1	
48	65W-43844-00	.PIN, VALVE SUPPORT .GOUPILLE	1	
49	65W-43851-00	.SEAT, RELIEF VALVE .SIEGE	1	
50	93210-08006	.O-RING .JOINT TORIQUE	1	
51	93210-03478	.O-RING .JOINT TORIQUE	1	
52	65W-43855-00	.SPRING, UP RELIEF .RESSORT	1	
53	93210-11073	.O-RING .JOINT TORIQUE	1	
54	65W-43843-00	.SCREW, VALVE LOCK .VIS	1	

FIG. 15 POWER TRIM & TILT ASSY PUISSANCE PARER ET INCLINER

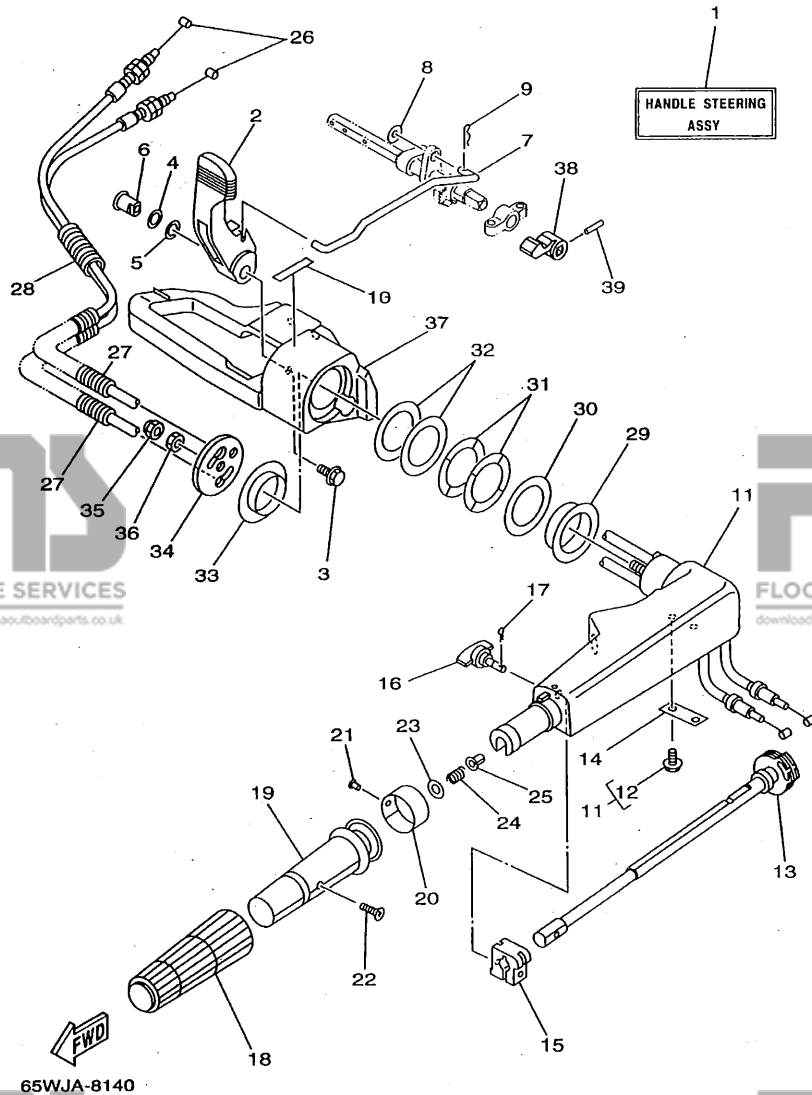


65WUS-8151

REF. NO.	PART NO. / SERV NO.	DESCRIPTION / DESCRIPTION	QTY	UNIT	REMARKS / REMARQUES
55	6H1-43856-10	.SPRING, DOWN RELIEF .RESSORT	1		
56	6H1-43844-10	.PIN, VALVE SUPPORT .GOUILLE	1		
57	6H1-4384F-10	.SEAL, MAIN VALVE .JOINT	1		
58	65W-4386A-00	.PIN, ABSORBER VALVE .GOUILLE, SOUPEPE	2		
59	93501-08001	.BALL .BILLE	2		
60	65W-43853-00	.SPRING, MAIN VALVE .RESSORT	2		
61	6H1-43829-00	.PLUG, RESERVOIR .BOUCHON	1		
62	62X-43878-00	.BOLT, SOCKET .BOULON	3		
63	93210-10M74	.O-RING .JOINT TORIQUE	1		

FIG. 16 STEERING 1

DIRECTION 1



REF. NO.	PART NO.	DESCRIPTION	QTY	UNIT	REMARKS
1	65W-W0084-01-4D	HANDLE STEERING ASSY BARRE FRANCHE (ENS.) (FIG.11, REF.NO. 20, 24, REF.NO. 2-7, 10-37, FIG.27, REF.NO. 4-6)	1		
2	65W-44111-00	HANDLE, GEAR SHIFT POIGNEE, LEVIER D'EMBRAYAGE	1		
3	95895-06016	BOLT, FLANGE BOULON, A COLLERETTE	1		
4	90206-12M00	WASHER, WAVE RONDELLE, ONDULEE	1		
5	90201-12M07	WASHER, PLATE RONDELLE, PLATE	1		
6	65W-42123-00	BOLT, HANDLE JOINT BOULON	1		
7	65W-44124-00	LINK, SHIFT ROD BIELLETTTE	1		
8	92990-06200	WASHER, PLAIN RONDELLE, PLATE	1		
9	90468-18008	CLIP JONC	1		
10	6E0-44191-11	INDICATOR, SHIFT ETIQUETTE, EMBRAYAGE	1		
11	65W-42101-01-4D	HANDLE, STEERING POIGNEE	1		*N1
	65W-42101-00-4D	HANDLE, STEERING POIGNEE	1		*P1
12	90109-06M86	BOLT BOULON	2		
13	65W-42138-00	LEVER, THROTTLE LEVIER, ACCELERATEUR	1		
14	65W-42159-00	STAY SUPPORT	1		
15	6G1-42126-00	FRICTION, STEERING HANDLE GRIP CUVETTE, POIGNEE DE DIRECTION	1		
16	65W-42125-00	BOLT, FRICTION ADJUSTING BOULON	1		
17	91490-16010	PIN, COTTER GOUPILLE, FENDUE	1		
18	66M-42177-00	RUBBER, HANDLE CAOUTCHOUC, POIGNEE	1		*N2
*N1:		F20AEH S: 700101 ~ F25AEH S: 050332 ~ L: 800101 ~ L: 350506 ~			
*N2:		F20AEH S: 700101 ~ F25AEH S: 050208 ~ L: 800101 ~ L: 350373 ~			
*P1:		F20AEH S: ~ F25AEH S: ~ 050331 L: ~ L: ~ 350505			
*N1, *N2 = COMPONENT OF HANDLE STEERING ASSY *N1, *N2 = CONTENU DE BARRE FRANCHE (ENS.)					

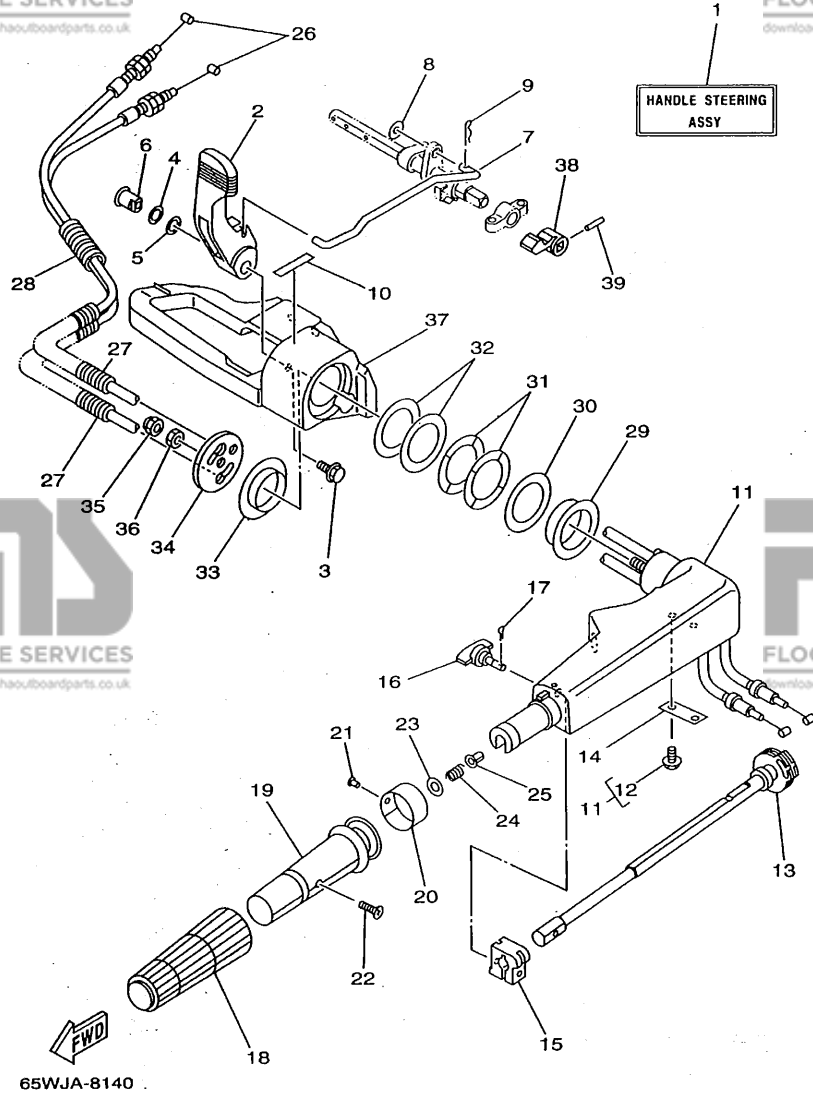


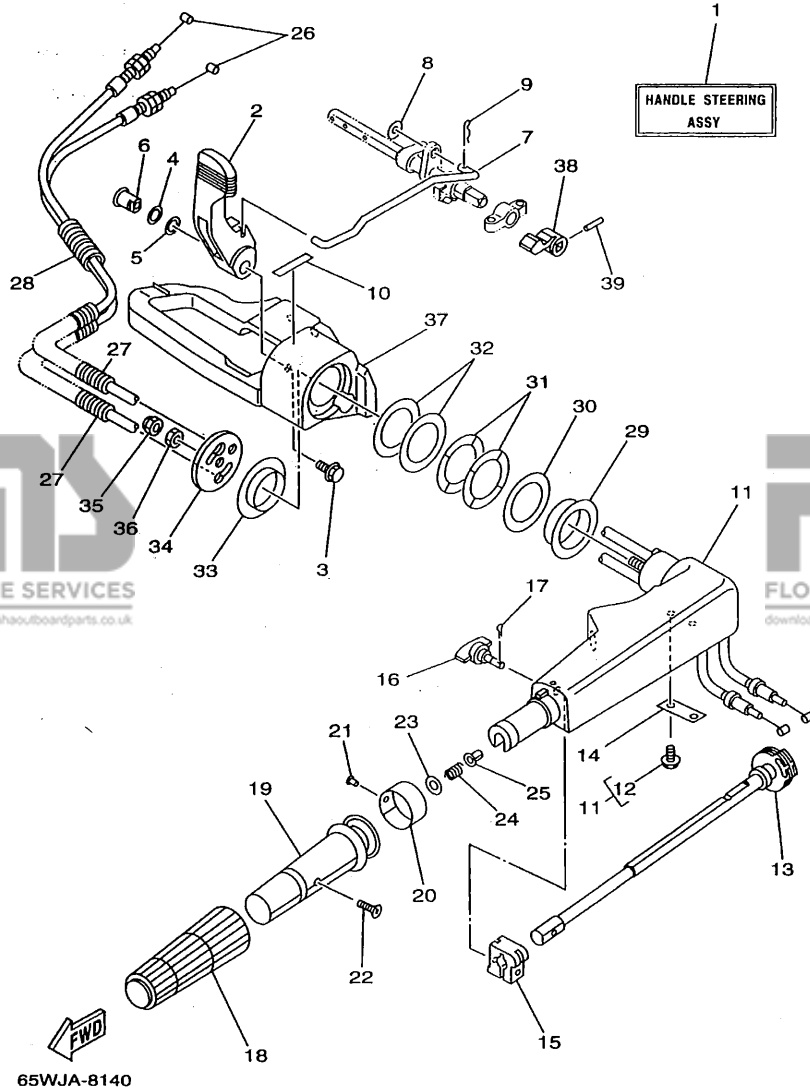
FIG. 16 STEERING 1

DIRECTION 1

REF. NO.	PART NO. NO. PIECES	DESCRIPTION DESCRIPTION	U	U	U	REMARKS REMARQUES
18	6F6-42177-A0	RUBBER, HANDLE CAOUTCHOUC, POIGNEE		1		*P2
19	66M-42119-00	GRIP, STEERING HANDLE POIGNEE, BARRE FRANCHE		1		*N2
	664-42119-00	GRIP, STEERING HANDLE POIGNEE, BARRE FRANCHE		1		*P2
20	6J0-42137-00	INDICATOR, THROTTLE INDICATEUR, ACCELERATION		1		
21	90269-02M09	RIVET RIVET		1		
22	90149-05M13	SCREW VIS		1		
23	92903-10600	WASHER, PLATE RONDELLE, PLATE		1		
24	90501-23215	SPRING, COMPRESSION RESSORT, COMPRESSION		1		
25	90386-08032	BUSH DOUILLE		1		
26	65W-26311-00	CABLE, THROTTLE 1 CABLE, 1, ACCELERATEUR		2		
27	90446-10M86	HOSE DURITE		2		
28	90446-14M88	HOSE DURITE		1		
29	90386-40MA0	BUSH DOUILLE		1		
30	90201-43M00	WASHER, PLATE RONDELLE, PLATE		1		
31	90206-43M22	WASHER, WAVE RONDELLE, ONDULEE		2		
32	90202-43M57	WASHER, PLATE RONDELLE, PLATE		2		
33	90386-40M99	BUSH DOUILLE		1		
34	65W-42131-01	COVER, HANDLE STEERING COUVERCLE		1		*N1
	65W-42131-00	COVER, HANDLE STEERING COUVERCLE		1		*P1
*N1: F20AEH S: 700101 ~ L: 800101 ~		F25AEH S: 050332 ~ L: 350506 ~				
*N2: F20AEH S: 700101 ~ L: 800101 ~		F25AEH S: 050208 ~ L: 350373 ~				
*P1: F20AEH S: - L: -		F25AEH S: ~ 050331 L: ~ 350505				
*P2: F20AEH S: - L: -		F25AEH S: ~ 050207 L: ~ 350372				

FIG. 16 STEERING 1

DIRECTION 1



REF. NO.	PART NO. NO. PIECES	DESCRIPTION DESCRIPTION	QTY	UNIT	REMARKS REMARQUES
35	95780-10300	NUT, FLANGE	1		*N1
	90185-08057	ECROU, A COLLERETTE	1		*P1
36	95380-10700	NUT	1		*N1
	95380-08600	ECROU	1		*P1
37	65W-42121-00-4D	BRACKET SUPPORT	1		
38	65W-44173-00	LEVER, SHIFT CONTROL	1		
		POIGNEE, INVERSION			
39	91690-30320	PIN, SPRING	1		
		GOUPILE, ELASTIQUE			

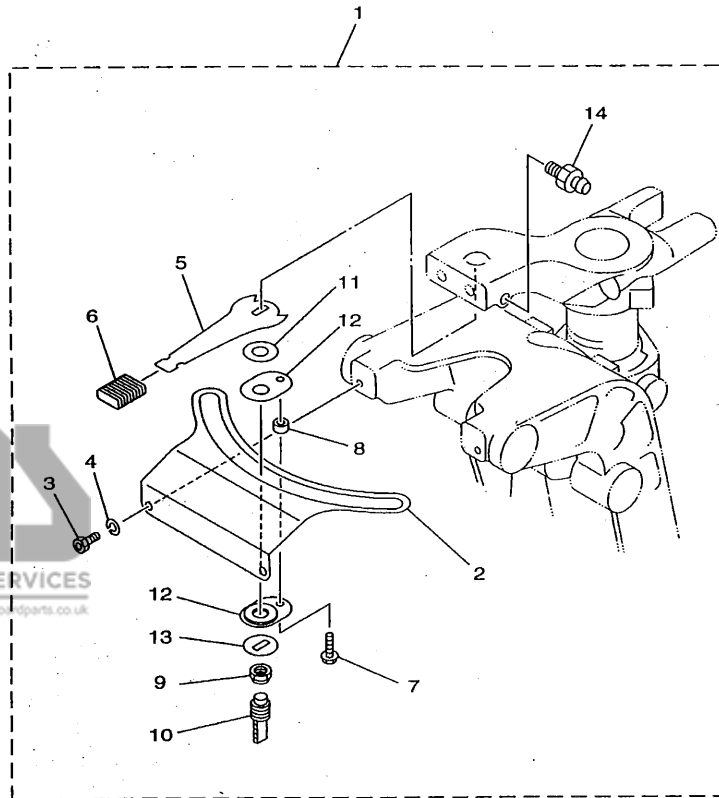
*N1: F20AEH S: 700101 ~ F25AEH S: 050332 ~
L: 800101 ~ L: 350506 ~

*P1: F20AEH S: - F25AEH S: ~ 050331
L: - L: ~ 350505

*N1, *N2 = COMPONENT OF HANDLE STEERING ASSY
*N1, *N2 = CONTENU DE BARRE FRANCHE (ENS.)

FIG. 17 STEERING 2

DIRECTION 2



REF. NO.	PART NO. NO. PIECES	DESCRIPTION DESCRIPTION	u	U	u	REMARKS REMARQUES
1	65W-42508-00	STEERING FRICTION ASSY DIRECTION FRICTION (ENS.)		1		
2	65W-42527-00	.PLATE, FRICTION .PLAQUE, FRICTION		1		
3	90109-06M50	.BOLT .BOULON		2		
4	92990-06100	.WASHER, SPRING .RONDELLE, GROWER		2		
5	65W-42561-00	.KNOB, STEERING LOCK .BOUTON		1		
6	689-43633-00	.COVER, TILT LEVER .COUVERCLE		1		
7	97595-05516	.BOLT, WITH WASHER .VIS HEXAGONAL		1		
8	90387-05M11	.COLLAR .COLLERETTE		1		
9	90185-10M14	.NUT, SELF-LOCKING .ECROU, AUTO-BLOCANT		1		
10	65W-42562-00	.SHAFT, STEERING LOCK .ARBRE, ANTIVOL DE DIRECTION		1		
11	90202-10M56	.WASHER, PLATE .RONDELLE, PLATE		1		
12	65W-42528-00	.PLATE, FRICTION .PLAQUE, FRICTION		2		
13	90209-10M26	.WASHER .RONDELLE		1		
14	93700-06M03	.NIPPLE, GREASE .GRAISSEUR		1		

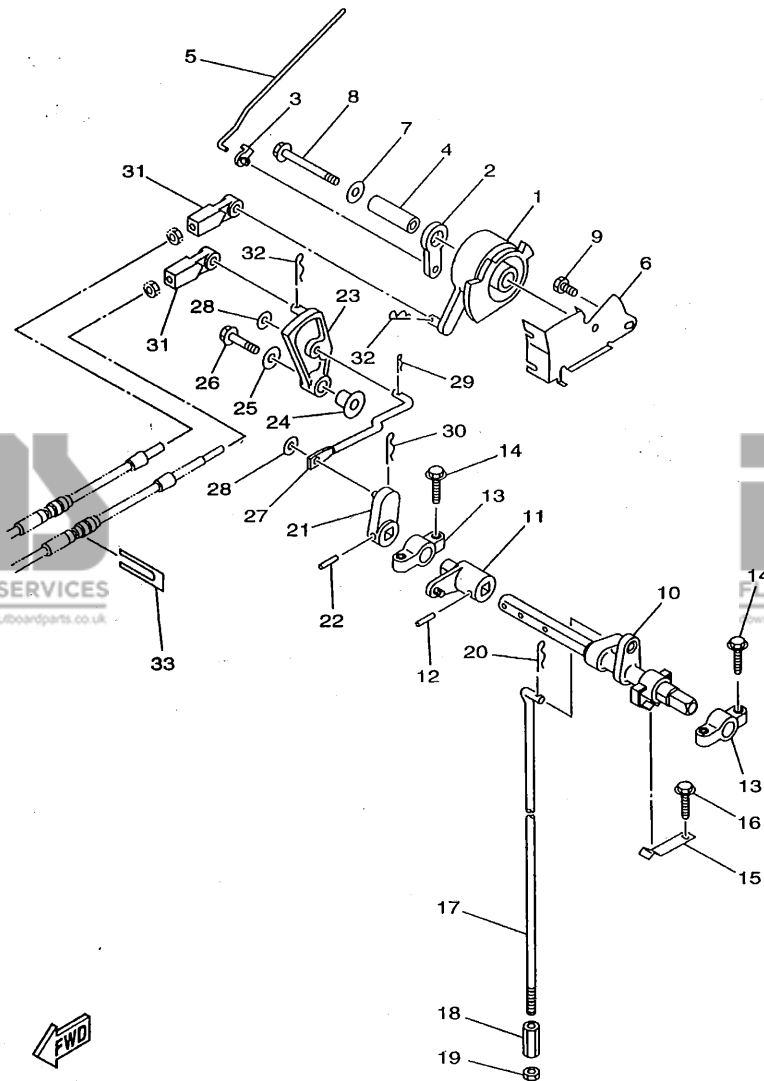


65WJA-8150

E6

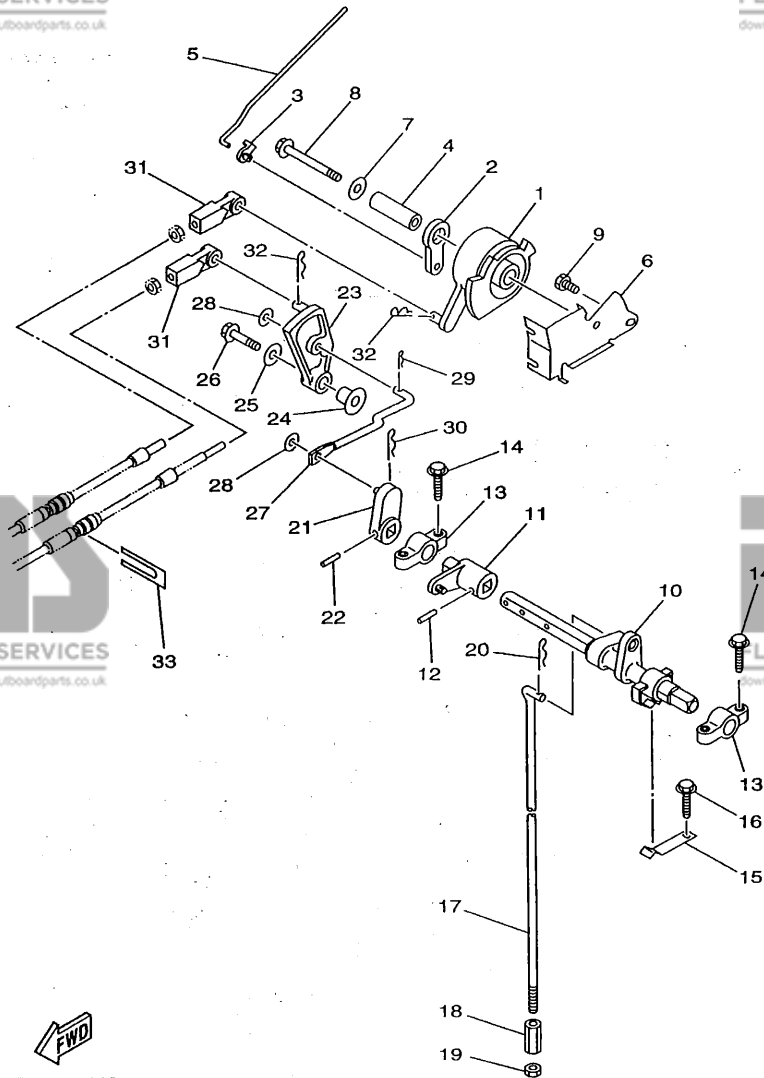
FIG. 18 CONTROL

COMMANDE



65WJA-8160

REF. NO.	PART NO. NO. PIECES	DESCRIPTION DESCRIPTION	W	U	U	REMARKS REMARQUES
1	65W-41638-00	PULLEY POULIE	1	1	1	
2	65W-41283-00	LEVER, FREE ACCEL. LEVIER	1	1	1	
3	661-41262-02	JOINT, CHOKE LEVER RACCORD, LEVIER DE STARTER	1	1	1	
4	90387-06M08	COLLAR COLLERETTE	1	1	1	
5	65W-41211-00	LINK, ACCEL. BIELLE, ACCELERATION	1	1	1	
6	65W-14497-00	STAY, THROTTLE WIRE SUPPORT DE BOISSEAU	1	1	1	
7	90201-06M31	WASHER, PLATE RONDELLE, PLATE	1	1	1	
8	97595-06555	BOLT, WITH WASHER VIS HEXAGONAL	1	1	1	
9	97095-06010	BOLT BOULON	1	1	1	
10	65W-44121-00	LEVER, SHIFT ROD LEVIER, TIGE D'INVERSION	1	1	1	
11	65W-44122-00	BUSHING, SHIFT ROD LEVER DOUILLE, LEVIER D'EMBRAYAGE	1	1	1	
12	91690-30320	PIN, SPRING GOUPILE, ELASTIQUE	1	1	1	
13	6F5-41662-00	BRACKET SUPPORT	2	2	2	
14	90109-06M81	BOLT BOULON	4	4	4	
15	65W-44116-00	SPRING RESSORT	1	1	1	
16	90109-06M86	BOLT BOULON	1	1	1	
17	65W-44143-00	ROD, SHIFT TIGE D'EMBRAYAGE	1	1	1	UR S
	65W-44143-10	ROD, SHIFT TIGE D'EMBRAYAGE	1	1	1	UR L
18	90170-06015	NUT ECROU	1	1	1	
19	95380-06700	NUT ECROU	1	1	1	
20	90468-18008	CLIP JONC	1	1	1	
21	65W-44142-00	SEAL JOINT	1	1	1	
22	91690-30320	PIN, SPRING GOUPILE, ELASTIQUE	1	1	1	
23	65W-44125-00	LEVER, SHIFT ROD LEVIER, TIGE D'INVERSION	1	1	1	
24	90387-06M29	COLLAR COLLERETTE	1	1	1	
25	90201-06M31	WASHER, PLATE RONDELLE, PLATE	1	1	1	
26	97595-06525	BOLT, WITH WASHER VIS HEXAGONAL	1	1	1	



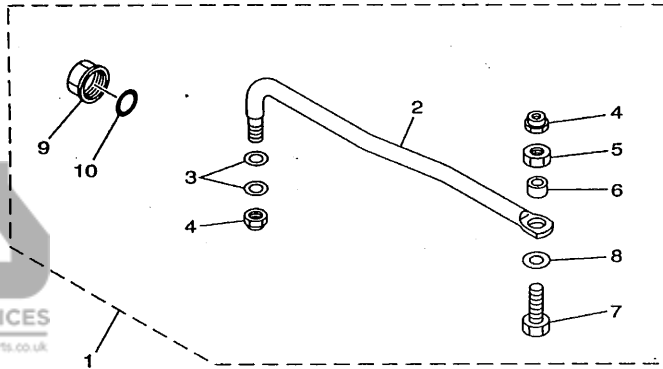
65WJA-8160

FIG. 18 CONTROL

COMMANDE

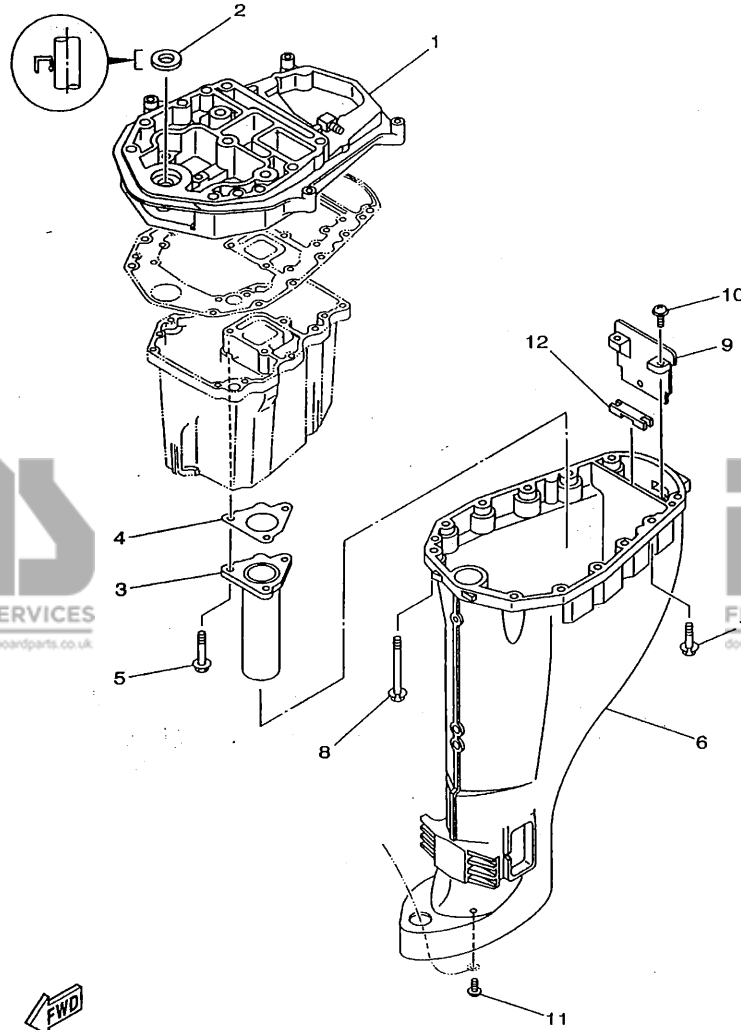
REF. NO.	PART NO. NO. PIECES	DESCRIPTION DESCRIPTION	U	U	U	REMARKS REMARQUES
27	65W-44192-00	JOINT, ROD 1 RACCORD 1, BIELLETTE	1		1	
28	90201-05M06	WASHER, PLATE RONDELLE, PLATE	2		2	
29	90468-10005	CLIP JONC	1		1	
30	90468-18008	CLIP JONC	1		1	
31	663-48344-00	CABLE END, REMOTE CONTROL CHAPE, CABLE	2		2	
32	90468-18008	CLIP JONC	2		2	
33	6H3-48538-00	CLAMP, CABLE 1 COLLIER	1		1	

FIG. 19 STEERING GUIDE ATTACHMENT 1 DIRECTION GUIDE ACCESSOIRE 1



REF. NO.	PART NO. NO. PIECES	DESCRIPTION DESCRIPTION	u	u	u	REMARKS REMARQUES
1	65W-61350-00	STEERING GUIDE ATTACHMENT KIT FIXATIONS DE DIRECTION	1		1	
2	65W-61351-00	.ROD, STEERING LINK .RENOI DE DIRECTION	1		1	
3	90201-10M20	.WASHER, PLATE .RONDELLE, PLATE	2		2	
4	90185-09M01	.NUT, SELF-LOCKING .ECROU, AUTO-BLOCANT	2		2	
5	90170-09M03	.NUT .ECROU	1		1	
6	90387-10M42	.COLLAR .COLLERETTE	1		1	
7	90101-09M01	.BOLT .BOULON	1		1	
8	90201-10M63	.WASHER, PLATE .RONDELLE, PLATE	1		1	
9	6E5-43145-01	.CAP, CLAMP BRACKET .CAPUCHON, PRESSE	1		1	
10	93210-16275	.O-RING .JOINT TORIQUE	1		1	

65WJA-8170



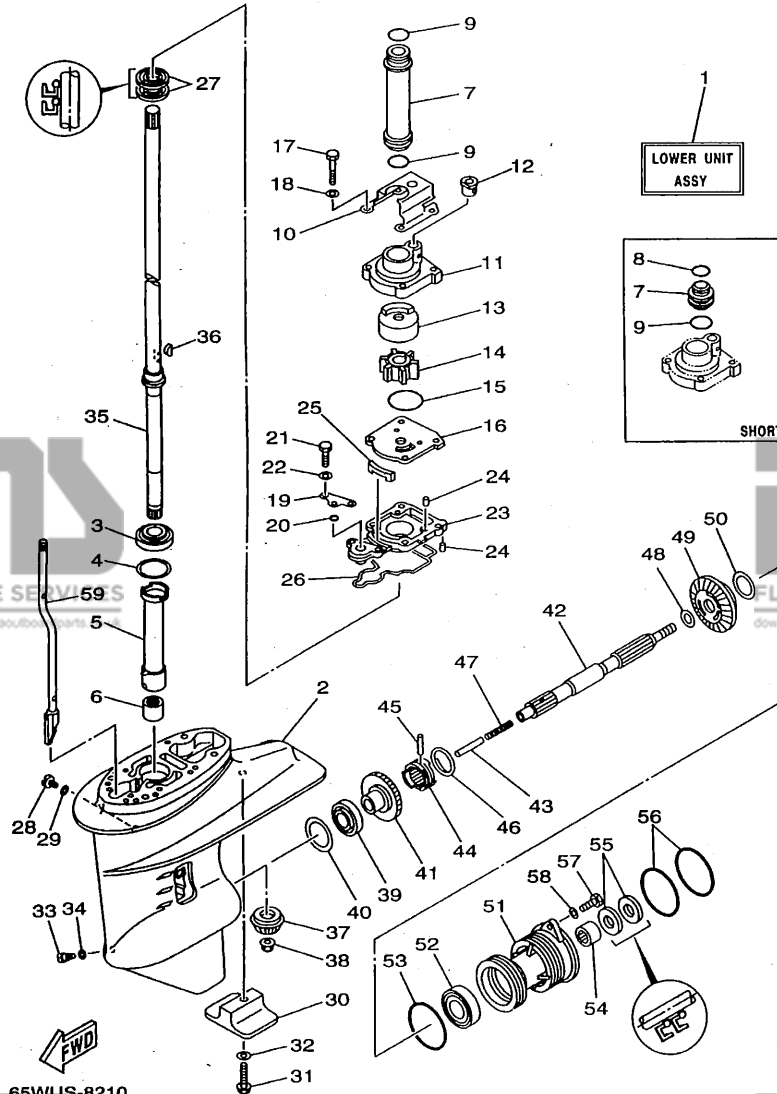
FWD
65WJA-8180

FIG. 20 UPPER CASING FOURREAU

REF. NO.	PART NO. / SERV. NO.	DESCRIPTION / DESCRIPTION	U	EH	ET	REMARKS / REMARQUES
1	65W-41137-00-94	GUIDE, EXHAUST COLLECTEUR D'ECHAPPEMENT	1	1	1	
2	93104-16M01	OIL SEAL JOINT SPY	1	1	1	
3	65W-41131-00-94	MANIFOLD, EXT. 1 PIPE D'ECHAPPEMENT	1	1	1	
4	62Y-41133-00	GASKET, EXHAUST MANIFOLD 1 JOINT, PIPE D'ECHAPPEMENT	1	1	1	
5	97575-06545	BOLT, WITH WASHER VIS HEXAGONAL	3	3	3	
6	65W-45111-00-4D	CASING, UPPER FOURREAU	1	1		UR S
	65W-45111-10-4D	CASING, UPPER FOURREAU	1	1	1	UR L
7	90119-08M79	BOLT, WITH WASHER BOULON, AVEC RONDELLE	4	4	4	
8	90119-08M82	BOLT, WITH WASHER BOULON, AVEC RONDELLE	8	8	8	
9	65W-45151-00	COVER, UPPER CASING CAPUCHON, FOURREAU	1	1	1	
10	97980-05216	SCREW, WITH WASHER VIS, AVEC RONDELLE	2	2	2	
11	90157-06M06	SCREW, PAN HEAD VIS, TETE TRONCONIQUE	1	1	1	
12	65W-45128-00	SEAL 2 JOINT 2	1	1	1	

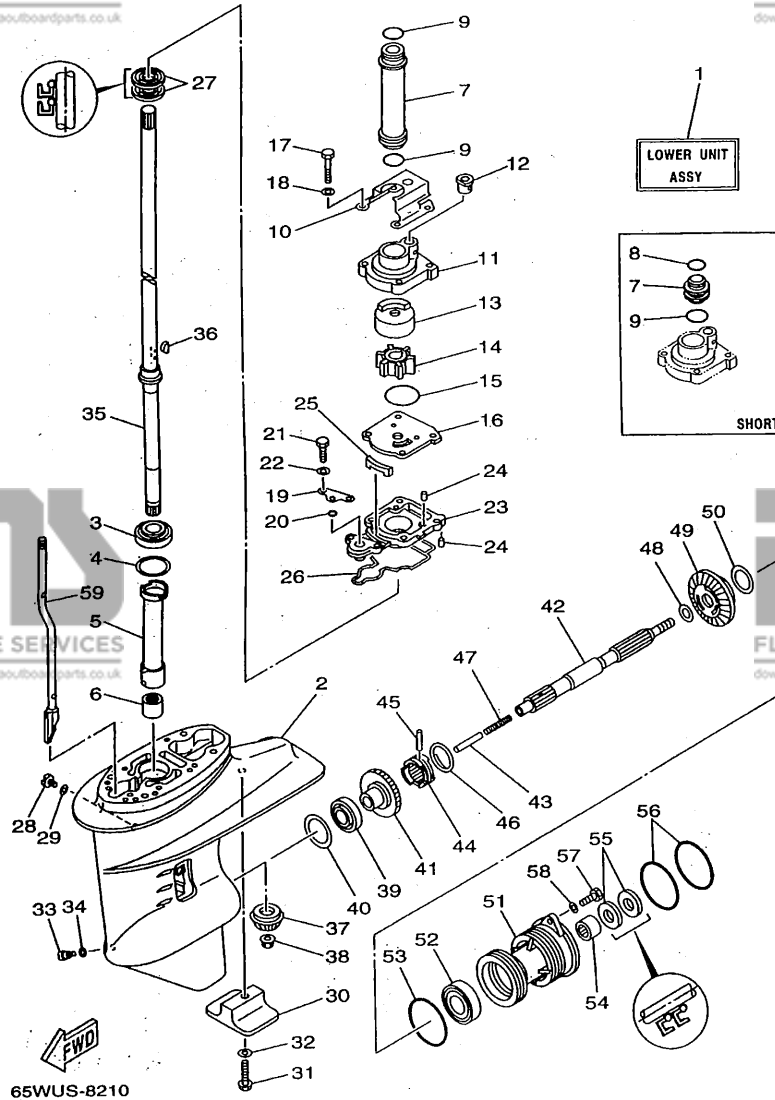
FIG. 21 LOWER CASING. DRIVE 1

BOITIER D'HELICE, TRANSMISSION 1



REF. NO.	PART NO. NO. PIECES	DESCRIPTION DESCRIPTION	U	U	U	REMARKS REMARQUES
1	65W-45300-00-4D	LOWER UNIT ASSY UNITE INFERIEURE (ENS.) (REF.NO. 2-6, 11-59)	1	1		UR S
	65W-45300-10-4D	LOWER UNIT ASSY UNITE INFERIEURE (ENS.) (REF.NO. 2-6, 11-59)	1	1	1	UR L
2	61N-45311-02-4D	CASING, LOWER BOITIER D'HELICE	1	1	1	
3	93332-000W5	BEARING ROULEMENT	1	1	1	
4	61N-45587-00-07	SHIM (T=0.7MM) CALE (T=0.7MM)	1	1	1	UR
	61N-45587-00-10	SHIM (T=1.0MM) CALE (T=1.0MM)	1	1	1	UR
	61N-45587-00-11	SHIM (T=1.1MM) CALE (T=1.1MM)	1	1	1	UR
	61N-45587-00-12	SHIM (T=1.2MM) CALE (T=1.2MM)	1	1	1	UR
	61N-45587-00-13	SHIM (T=1.3MM) CALE (T=1.3MM)	1	1	1	UR
	61N-45587-00-14	SHIM (T=1.4MM) CALE (T=1.4MM)	1	1	1	UR
	61N-45587-00-15	SHIM (T=1.5MM) CALE (T=1.5MM)	1	1	1	UR
	61N-45587-00-16	SHIM (T=1.6MM) CALE (T=1.6MM)	1	1	1	UR
5	61N-45536-00	SLEEVE, DRIVE SHAFT MANCHON, ARBRE MOTEUR	1	1	1	
6	93315-220V7	BEARING ROULEMENT	1	1	1	
7	61N-44362-00	TUBE, WATER TUBE D'EAU	1	1		UR S
	61N-44362-10	TUBE, WATER TUBE D'EAU	1	1	1	UR L
8	93210-22164	O-RING JOINT TORIQUE	1	1		UR S
9	93210-26130	O-RING JOINT TORIQUE	1	1		UR S
	93210-26130	O-RING JOINT TORIQUE	2	2	2	UR L
10	65W-44328-00	PLATE PLAQUETTE	1	1	1	UR L
11	61N-44311-01	HOUSING, WATER PUMP CORPS, POMPE A EAU	1	1	1	
12	6L2-44367-00	DAMPER, WATER SEAL JOINT TUBE D'EAU	1	1	1	
13	61N-44322-01	INSERT, CARTRIDGE CUVETTE	1	1	1	
14	6H4-44352-02	IMPELLER TURBINE	1	1	1	
15	93210-45161	O-RING JOINT TORIQUE	1	1	1	

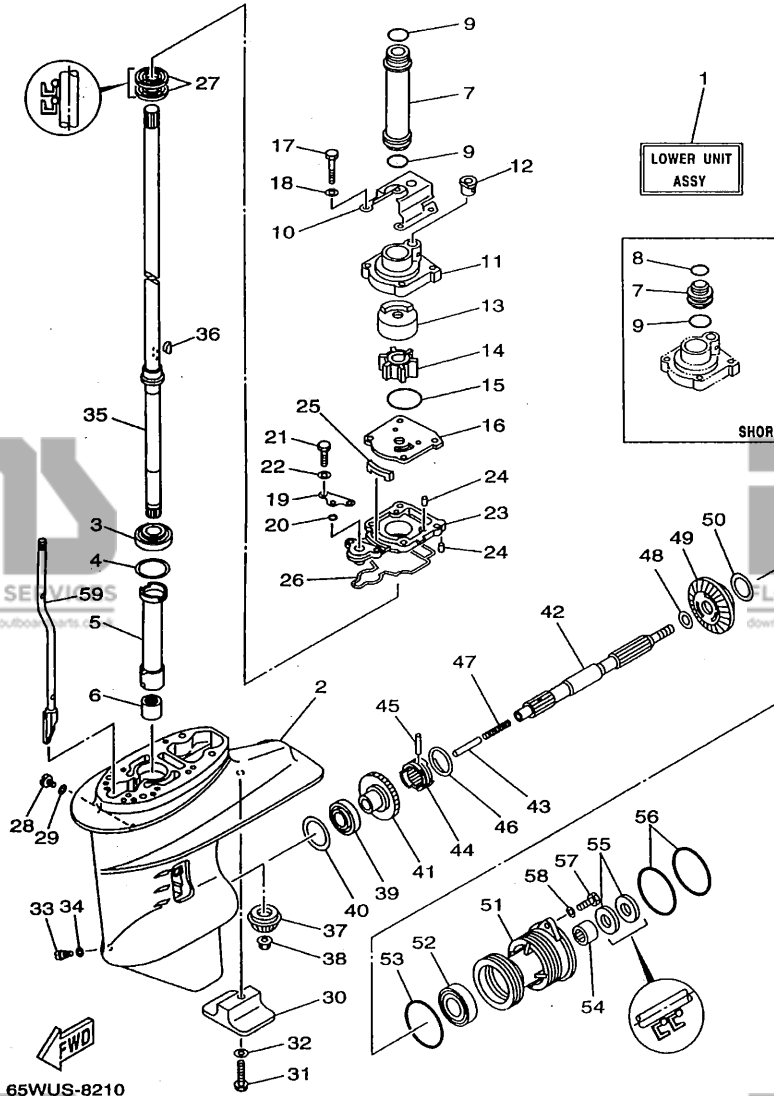
FIG. 21 LOWER CASING. DRIVE 1 BOITIER D'HELICE, TRANSMISSION 1



REF. NO.	PART NO. NO. PIECES	DESCRIPTION DESCRIPTION	W	H	L	REMARKS REMARQUES
16	61N-44323-00	OUTER PLATE, CARTRIDGE PLAQUE EXTERIEURE	1	1	1	
17	97095-06040	BOLT BOULON	4	4	4	
18	92995-06600	WASHER RONDELLE	4	4	4	
19	65W-44176-00	BRACKET SUPPORT	1	1	1	
20	93210-06ME6	O-RING JOINT TORIQUE	1	1	1	
21	97095-06025	BOLT BOULON	2	2	2	
22	92995-06600	WASHER RONDELLE	2	2	2	
23	65W-45331-00-5B	HOUSING, BEARING FLASQUE, ROULEMENT	1	1	1	
24	93604-10M03	PIN, DOWEL GOUJON	3	3	3	
25	61N-45127-00	SEAL JOINT	1	1	1	
26	61N-45315-00	PACKING, LOWER CASING JOINT, BOITIER D'HELICE	1	1	1	
27	93101-22067	OIL SEAL JOINT SPY	2	2	2	
28	90340-08M04	PLUG, STRAIGHT SCREW PLOT, FILETE DROIT	1	1	1	
29	90430-08020	GASKET JOINT	1	1	1	
30	61N-45251-00	ANODE ANODE	1	1	1	
31	95895-06035	BOLT, FLANGE BOULON, A COLLERETTE	1	1	1	
32	92990-06300	WASHER, INTERNAL TOOTH RONDELLE, DENTURE INTERNE	1	1	1	
33	688-45341-00	PLUG, DRAIN BOUCHON DE VIDANGE	1	1	1	
34	90430-08020	GASKET JOINT	1	1	1	
35	61N-45510-00	DRIVE SHAFT ASSY ARBRE MOTEUR (ENS.)	1	1		UR S
36	61N-45510-10	DRIVE SHAFT ASSY ARBRE MOTEUR (ENS.)	1	1	1	UR L
37	90280-03024	KEY, WOODRUFF CLAVETTE, DEMI-LUNE	1	1	1	
38	61N-45551-00	PINION PIGNON D'ATTAQUE	1	1	1	
39	90179-10M14	NUT ECROU	1	1	1	
40	93332-00005	BEARING ROULEMENT	1	1	1	
41	6L2-45567-00-10	SHIM (T:1.0MM) CALE (T:1.0MM)	1	1	1	UR
42	6L2-45567-00-11	SHIM (T:1.1MM) CALE (T:1.1MM)	1	1	1	UR

FIG. 21 LOWER CASING. DRIVE 1

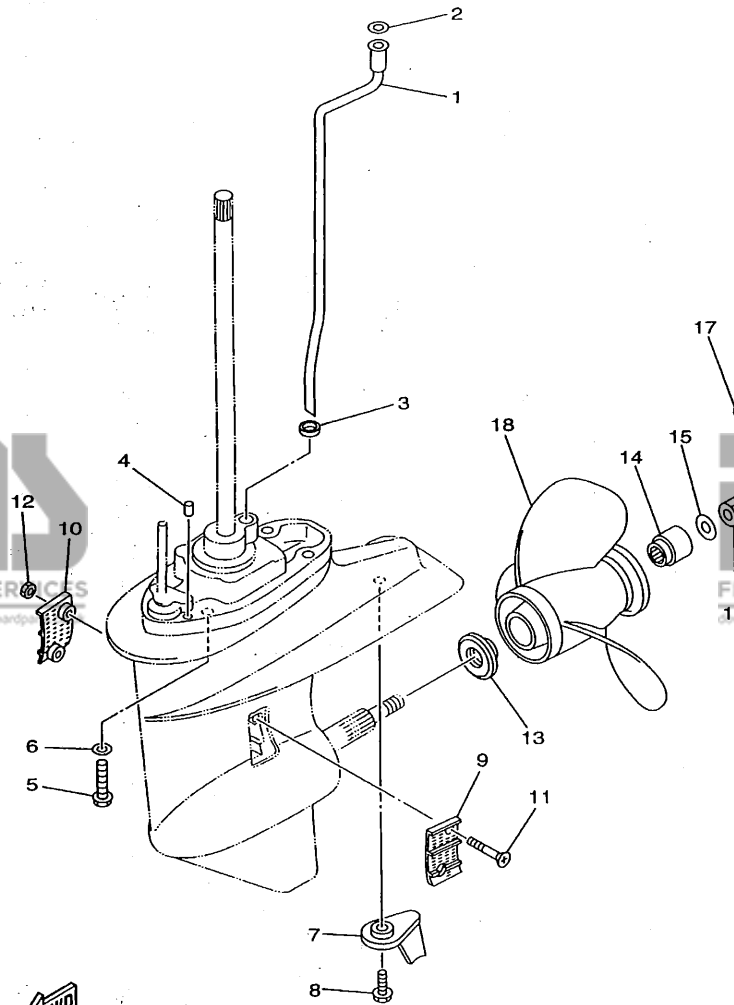
BOITIER D'HELICE, TRANSMISSION 1



REF. NO.	PART NO.	DESCRIPTION	U	U	U	REMARKS
40	6L2-45567-00-12	SHIM (T:1.2MM)	1	1	1	UR
	6L2-45567-00-13	CALE (T:1.2MM)	1	1	1	UR
	6L2-45567-00-14	SHIM (T:1.3MM)	1	1	1	UR
	6L2-45567-00-14	CALE (T:1.3MM)	1	1	1	UR
	6L2-45567-00-14	SHIM (T:1.4MM)	1	1	1	UR
	6L2-45567-00-14	CALE (T:1.4MM)	1	1	1	UR
41	61N-45560-00	GEAR PIGNON	1	1	1	
42	6L2-45611-00	SHAFT, PROPELLER ARBRE, HELICE	1	1	1	
43	648-45635-00	PLUNGER, SHIFT POUSSOIR D'EMBRAYAGE	1	1	1	
44	664-45631-01	CLUTCH, DOG CRABOT	1	1	1	
45	90250-05010	PIN, STRAIGHT GOUPILLE, DROITE	1	1	1	
46	648-45633-00	RING, CROSS PIN JONC, GOUPILLE CRABOT	1	1	1	
47	90501-10065	SPRING, COMPRESSION RESSORT, COMPRESSION	1	1	1	
48	90201-20417	WASHER, PLATE RONDELLE, PLATE	1	1	1	
49	61N-45571-00	GEAR PIGNON	1	1	1	
50	6L2-45577-00-10	SHIM (T:1.0MM)	1	1	1	UR
	6L2-45577-00-10	CALE (T:1.0MM)	1	1	1	UR
	6L2-45577-00-11	SHIM (T:1.1MM)	1	1	1	UR
	6L2-45577-00-11	CALE (T:1.1MM)	1	1	1	UR
	6L2-45577-00-12	SHIM (T:1.2MM)	1	1	1	UR
	6L2-45577-00-12	CALE (T:1.2MM)	1	1	1	UR
	6L2-45577-00-13	SHIM (T:1.3MM)	1	1	1	UR
	6L2-45577-00-13	CALE (T:1.3MM)	1	1	1	UR
51	61N-45361-01-4D	CAP, LOWER CASING COUVERCLE, BOITIER D'HELICE	1	1	1	
52	93306-00612	BEARING ROULEMENT	1	1	1	
53	93210-64ME7	O-RING JOINT TORIQUE	1	1	1	
54	93315-22004	BEARING ROULEMENT	1	1	1	
55	93101-20M07	OIL SEAL JOINT SPY	2	2	2	
56	93210-65M50	O-RING JOINT TORIQUE	2	2	2	
57	97075-06020	BOLT BOULON	2	2	2	
58	92995-06600	WASHER RONDELLE	2	2	2	
59	65W-44150-00	SHIFT CAM ASSY CAME D'INVERSION	1	1		UR S
	65W-44150-10	SHIFT CAM ASSY CAME D'INVERSION	1	1	1	UR L

FIG. 22 LOWER CASING. DRIVE 2

BOITIER D'HELICE, TRANSMISSION 2



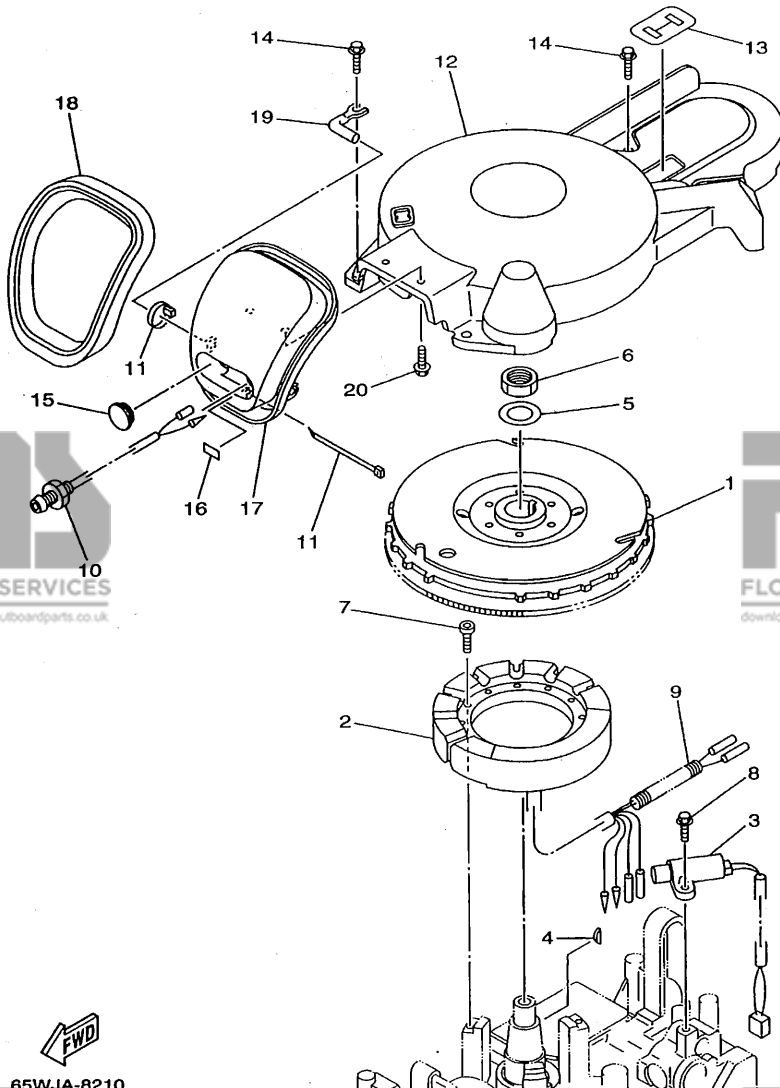
FWD
65WJA-8200

REF. NO.	PART NO. NO. PIECES	DESCRIPTION DESCRIPTION	u	u	u	REMARKS REMARQUES
1	65W-44361-00	TUBE, WATER TUBE D'EAU	1	1		UR S
	65W-44361-10	TUBE, WATER TUBE D'EAU	1	1	1	UR L
2	90202-12060	WASHER, PLATE RONDELLE, PLATE	1	1	1	
3	90430-12072	GASKET JOINT	1	1	1	
4	93606-12019	PIN, DOWEL GOUJON	2	2	2	
5	90105-10M12	BOLT, WASHER BASED BOULON, AVEC RONDELLE	4	4	4	
6	92995-10600	WASHER RONDELLE	4	4	4	
7	61N-45371-00	TAB-TRIM ANODE DERIVE	1	1	1	
8	90119-06M48	BOLT, WITH WASHER BOULON, AVEC RONDELLE	1	1	1	
9	6L2-45214-00	COVER, WATER INLET GRILLE, ENTREE D'EAU	1	1	1	
10	6L2-45215-00	COVER, WATER INLET GRILLE, ENTREE D'EAU	1	1	1	
11	98780-05030	SCREW, FLAT HEAD VIS, TETE PLATE	2	2	2	
12	90185-05002	NUT, SELF-LOCKING ECROU, AUTO-BLOCANT	2	2	2	
13	6L2-45987-01	SPACER ENTRETOISE	1	1	1	
14	689-45997-00	SPACER ENTRETOISE	1	1	1	
15	92990-14200	WASHER, PLAIN RONDELLE, PLATE	1	1	1	
16	90171-14013	NUT, CASTLE ECROU, CRENELE	1	1	1	
17	91490-30022	PIN, COTTER GOUPILLE, FENDUE	1	1	1	
18	664-45941-01-EL	PROPELLER (3X9-7/8"X9"-F) HELICE (3X9-7/8"X9"-F)	1	1	1	UR
	664-45943-01-EL	PROPELLER (3X9-7/8"X8"-F) HELICE (3X9-7/8"X8"-F)	1	1	1	UR
	664-45945-00-EL	PROPELLER (3X9-7/8"X10-1/2"-F) HELICE (3X9-7/8"X10-1/2"-F)	1	1	1	UR
	664-45947-01-EL	PROPELLER (3X9-7/8"X11-1/4"-F) HELICE (3X9-7/8"X11-1/4"-F)	1	1	1	UR
	664-45949-02-EL	PROPELLER (3X9-7/8"X13"-F) HELICE (3X9-7/8"X13"-F)	1	1	1	UR
	664-45952-00-EL	PROPELLER (3X9-7/8"X14"-F) HELICE (3X9-7/8"X14"-F)	1	1	1	UR
	664-45954-00-EL	PROPELLER (3X9-7/8"X12"-F) HELICE (3X9-7/8"X12"-F)	1	1	1	UR
	664-45970-00-98	PROPELLER (3X9-1/8"X13"-F) HELICE (3X9-1/8"X13"-F)	1	1	1	UR STAINLESS STEEL
	664-45972-00-98	PROPELLER (3X9-1/8"X12"-F) HELICE (3X9-1/8"X12"-F)	1	1	1	UR STAINLESS STEEL

F7

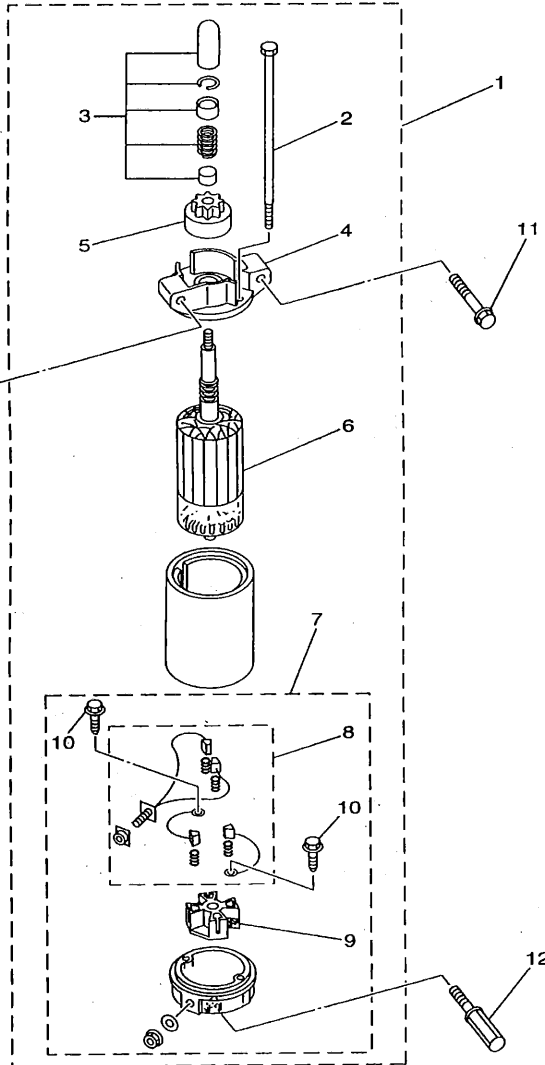
FIG. 23 GENERATOR

GENERATRICE



REF. NO.	PART NO.	DESCRIPTION	QTY	UNIT	REMARKS	
NO.	NO. PIECES	DESCRIPTION			REMARQUES	
1	65W-85550-00	ROTOR ASSY ROTOR CPLT	1	1	1	
2	65W-85510-00	STATOR ASSY STATOR CPLT		1		UR 6A
	65W-85510-10	STATOR ASSY STATOR CPLT	1	1		UR 15A
3	65W-85580-00	COIL, PULSER BOBINE, PULSEUR	1	1	1	
4	65W-11545-00	KEY, WOODRUFF CLAVETTE, DEMI-LUNE	1	1	1	
5	90201-21M18	WASHER, PLATE RONDELLE, PLATE	1	1	1	
6	90170-20137	NUT ECROU	1	1	1	
7	91380-05025	BOLT BOULON		3		UR 6A
	91380-05030	BOLT BOULON	3	3		UR 15A
8	97595-05516	BOLT, WITH WASHER VIS HEXAGONAL	2	2	2	
9	90446-10M82	HOSE DURITE	1	1	1	
10	65W-85410-00	EMERGENCY SIGNAL LIGHT ASSY FEU DE DETRESSE	1	1	1	
11	90465-11M10	CLAMP BRIDE	2	2	2	
12	65W-81337-00	COVER, FLYWHEEL COUVERCLE, VOLANT	1	1	1	
13	65W-81639-00	PLATE, ARMATURE FITTING PLAQUE, FIXATION D'INDUIT	1	1	1	
14	97595-06525	BOLT, WITH WASHER VIS HEXAGONAL	4	4	4	
15	6G1-42725-00	GROMMET PASSE-FIL	1	1	1	
16	65W-84342-00	SEAT, EMBLEM SIEGE, EMBLEME	1	1	1	
17	65W-15758-10	GUIDE, ROPE GUIDE DE CABLE	1	1	1	
18	65W-15762-00	SEAL, RUBBER 2 JOINT CAOUTCHOUC 2	1	1	1	
19	65W-15771-00	STAY 1 SUPPORT 1	1	1	1	
20	97595-06620	BOLT, WITH WASHER VIS HEXAGONAL	1	1	1	

65WJA-8210



65WJA-8221

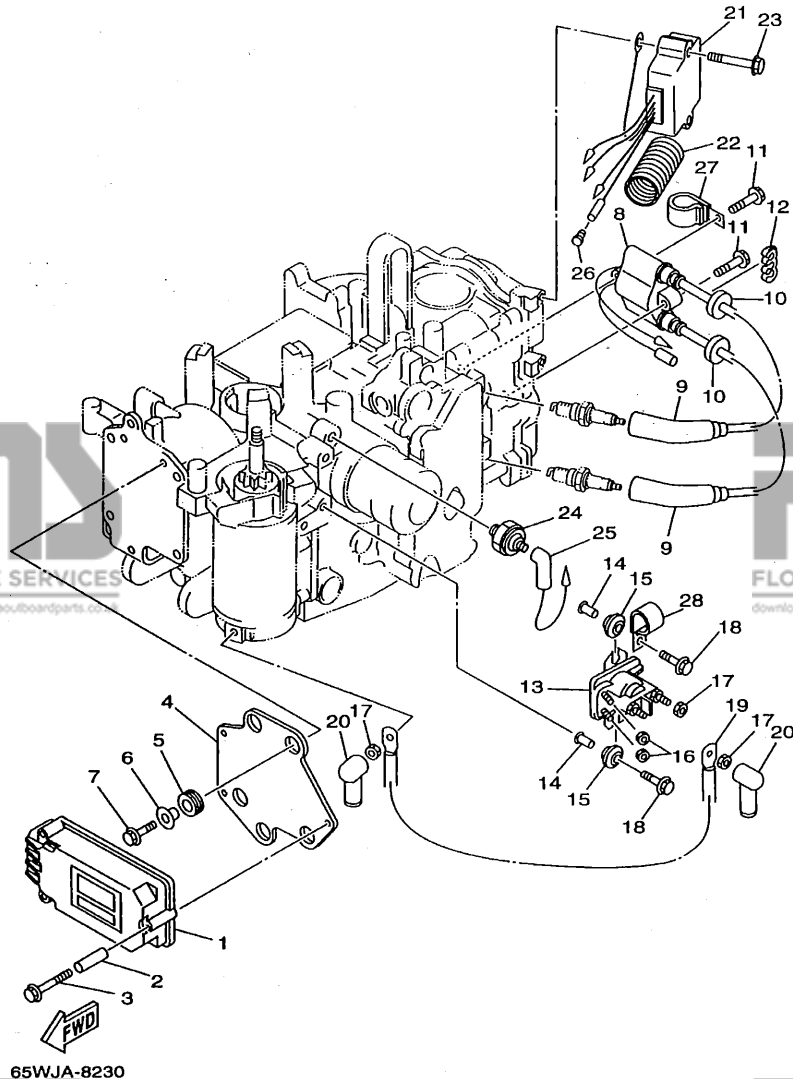
FIG. 24 STARTING MOTOR

DEMARREUR ELECTRIQUE

REF. NO.	PART NO. SERV NO.	DESCRIPTION DESCRIPTION	U	U	U	REMARKS REMARQUES
1	65W-81800-00	STARTING MOTOR ASSY DEMARREUR ELECTRIQUE COMPLET	1	1	1	
2	65W-81826-00	.BOLT .BOULON	2	2	2	
3	65W-81857-00	.RETAINER .ARRETOIR	1	1	1	
4	65W-81830-00	.FRONT BRACKET ASSY .SUPPORT AVANT	1	1	1	
5	65W-81807-00	.GEAR ASSY, STARTING MOTOR PIGNON, DEMARREUR ELECTRIQUE	1	1	1	
6	65W-81850-00	.ARMATURE ASSY .INDUIT	1	1	1	
7	65W-81820-00	.REAR BRACKET ASSY .SUPPORT ARRIERE COMPLET	1	1	1	
8	65W-81801-00	.BRUSH SET .CHARBON	1	1	1	
9	65W-81840-00	.BRUSH HOLDER ASSY .SUPPORT DE CHARBON	1	1	1	
10	65W-8182S-00	.SCREW .VIS	2	2	2	
11	90119-08M39	BOLT, WITH WASHER BOULON, AVEC RONDELLE	1	1	1	
12	90109-08M77	BOLT BOULON	1	1	1	
13	90109-08M78	BOLT BOULON	1	1	1	
14	95380-08700	NUT ECROU	1	1	1	
15	92990-08600	WASHER, PLATE RONDELLE, PLATE	1	1	1	

FIG. 25 ELECTRICAL 1

PARTIE ELECTRIQUE 1



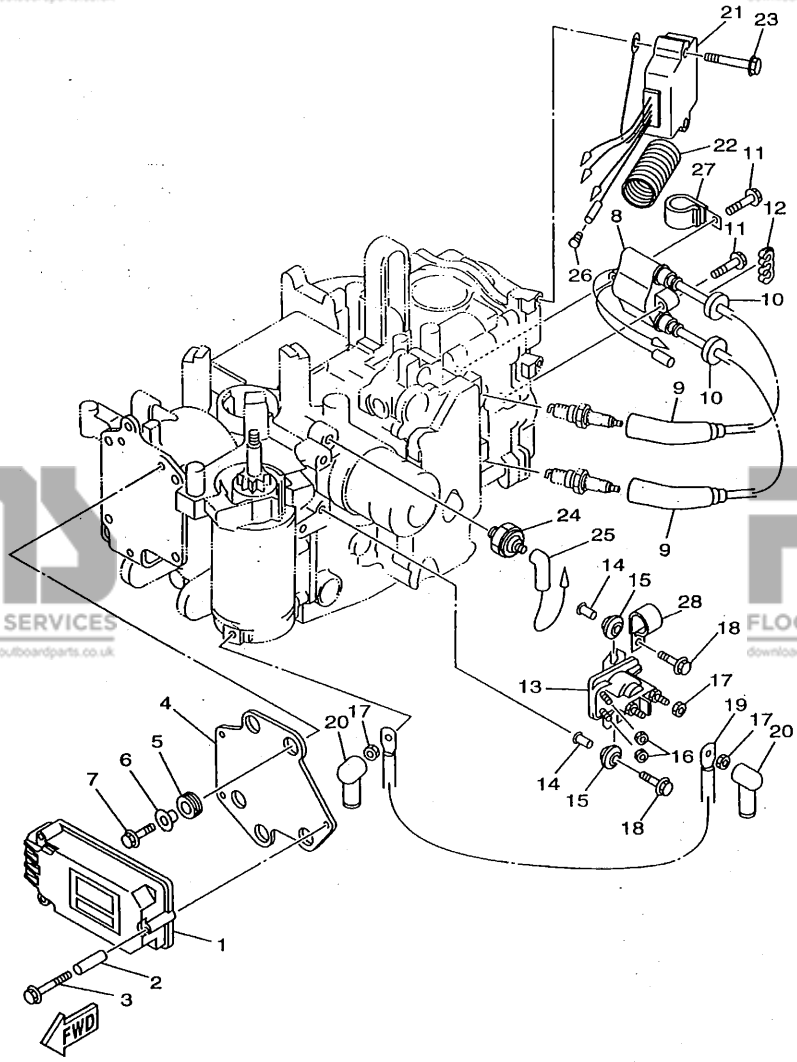
REF. NO.	PART NO. NO. PIECES	DESCRIPTION DESCRIPTION	W	U	U	REMARKS REMARQUES
1	65W-85540-00	C.D.I. UNIT ASSY BLOC C.D.I.	1	1	1	UR
	65W-85540-10	C.D.I. UNIT ASSY BLOC C.D.I.	1	1	1	UR *ECM
2	65W-86129-00	COLLAR COLLERETTE	3	3	3	
3	65W-8252V-00	SCREW, SPECIAL VIS, SPECIALE	3	3	3	
4	65W-85542-00	BRACKET SUPPORT	1	1	1	
5	65W-85547-00	DAMPER AMORTISSEUR	3	3	3	
6	65W-86129-10	COLLAR COLLERETTE	3	3	3	
7	65W-8252V-10	SCREW, SPECIAL VIS, SPECIALE	3	3	3	
8	65W-85570-00	IGNITION COIL ASSY BOBINE D'ALLUMAGE (ENS.)	1	1	1	
9	6G8-82370-20	PLUG CAP ASSY ANTIPARASITE	2	2	2	
10	90480-25161	GROMMET PASSE-FIL	2	2	2	
11	97595-06530	BOLT, WITH WASHER VIS HEXAGONAL	2	2	2	
12	90464-07M05	CLAMP BRIDE	1	1	1	
13	65W-81941-00	STARTER RELAY ASSY LANCEUR RELAIS (ENS.)	1	1	1	
14	65W-8191C-00	COLLAR COLLERETTE	2	2	2	
15	65W-81922-00	GROMMET OUILLET CAOUTCHOUC	2	2	2	
16	65W-8182A-00	NUT ECROU	2	2	2	
17	65W-8182B-00	NUT, SPECIAL ECROU, SPECIAL	3	3	3	
18	97595-06525	BOLT, WITH WASHER VIS HEXAGONAL	2	2	2	
19	65W-82117-00	WIRE, LEAD FIL	1	1	1	
20	6G5-82119-10	COVER, LEAD WIRE GARNITURE, FIL	2	2	2	
21	65W-81960-00	RECTIFIER & REGULATOR ASSY REDRESSEUR REGULATEUR CPLT	1	1	1	
22	6K3-83557-00	TUBE TUBE	1	1	1	
23	97595-06540	BOLT, WITH WASHER VIS HEXAGONAL	2	2	2	

*ECM: FOR EMISSION CONTROL MODEL.
*ECM: POUR MODELE CONTROLE D'EMISSIONS.

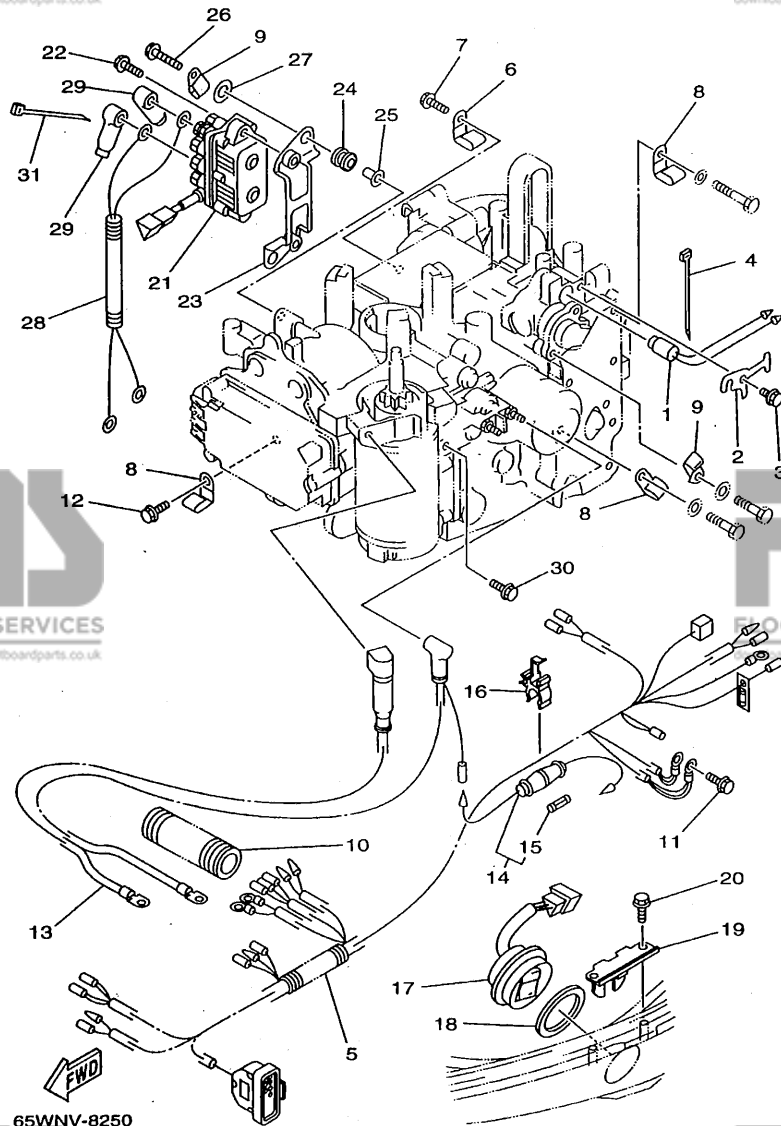
FIG. 25 ELECTRICAL 1

PARTIE ELECTRIQUE 1

REF. NO.	PART NO. NO. PIECES	DESCRIPTION DESCRIPTION	W	U	L	REMARKS REMARQUES
24	65W-82504-00	OIL PRESSURE SWITCH ASSY CONTACTEUR DE PRESSION D'HUILE	1	1	1	
25	65W-82127-00	WIRE, LEAD 2 FIL 2	1	1	1	
26	703-82119-00	COVER, LEAD WIRE GARNITURE, FIL		1		
27	65W-24135-00	CLAMP 1 COLLIER 2	1	1	1	
28	65W-8339X-00	CLAMP, CORD COLLIER, CORDON	1	1	1	



65WJA-8230



65WNV-8250

FIG. 26 ELECTRICAL 2

PARTIE ELECTRIQUE 2

REF. NO.	PART NO. NO. PIECES	DESCRIPTION DESCRIPTION	Q	U	T	REMARKS REMARQUES
1	65W-85790-00	THERMOSENSOR ASSY SENSITOMETRE	1	1	1	
2	65W-85757-00	RETAINER ARRETOIR	1	1	1	
3	97595-06512	BOLT, WITH WASHER VIS HEXAGONAL	1	1	1	
4	90465-11M10	CLAMP BRIDE	1	1	1	
5	65W-82590-00	WIRE HARNESS ASSY FAISCEAU DE FILS COMPLET			1	UR
	65W-82590-10	WIRE HARNESS ASSY FAISCEAU DE FILS COMPLET			1	UR
	65W-82590-30	WIRE HARNESS ASSY FAISCEAU DE FILS COMPLET			1	UR
6	90465-08M08	CLAMP BRIDE			1	
7	97595-06516	BOLT, WITH WASHER VIS HEXAGONAL			1	
8	90465-08M08	CLAMP BRIDE	3	3	3	
9	90465-08M51	CLAMP BRIDE	1	1	2	
10	6N7-83557-00	TUBE TUBE	1	2	1	I.DIA.: 22MM
11	97595-06516	BOLT, WITH WASHER VIS HEXAGONAL	2	2	2	
12	97595-05516	BOLT, WITH WASHER VIS HEXAGONAL	1	1	1	
13	65W-82105-00	WIRE HARNESS FAISCEAU DE FILS	1	1	1	
14	6G8-82150-00	FUSE HOLDER ASSY SUPPORT DE FUSIBLE	1	1	1	
15	663-82151-00	.FUSE (12V-20A) .FUSIBLE (12V-20A)	1	1	1	
16	6G5-82152-00	HOLDER, FUSE SUPPORT, FUSIBLE	1	1	1	
17	6H1-82563-10	TRIM & TILT SWITCH ASSY INCLINER ET PARER COMMUTATEUR			1	
18	6E5-82587-00	GASKET JOINT			1	
19	62Y-83614-00	BRACKET SUPPORT			1	
20	90109-06M86	BOLT BOULON			1	
21	61A-81950-00	RELAY ASSY RELAIS COMPLET			1	
22	97575-06520	BOLT, WITH WASHER VIS HEXAGONAL			2	
23	65W-81948-00	BRACKET JOINT TORIQUE			1	
24	6A0-82317-00	DAMPEN, IGNITION COIL AMORTISSEUR, BOBINE D'ALLUM			2	
25	624-42542-00	PIPE TUYAU			2	

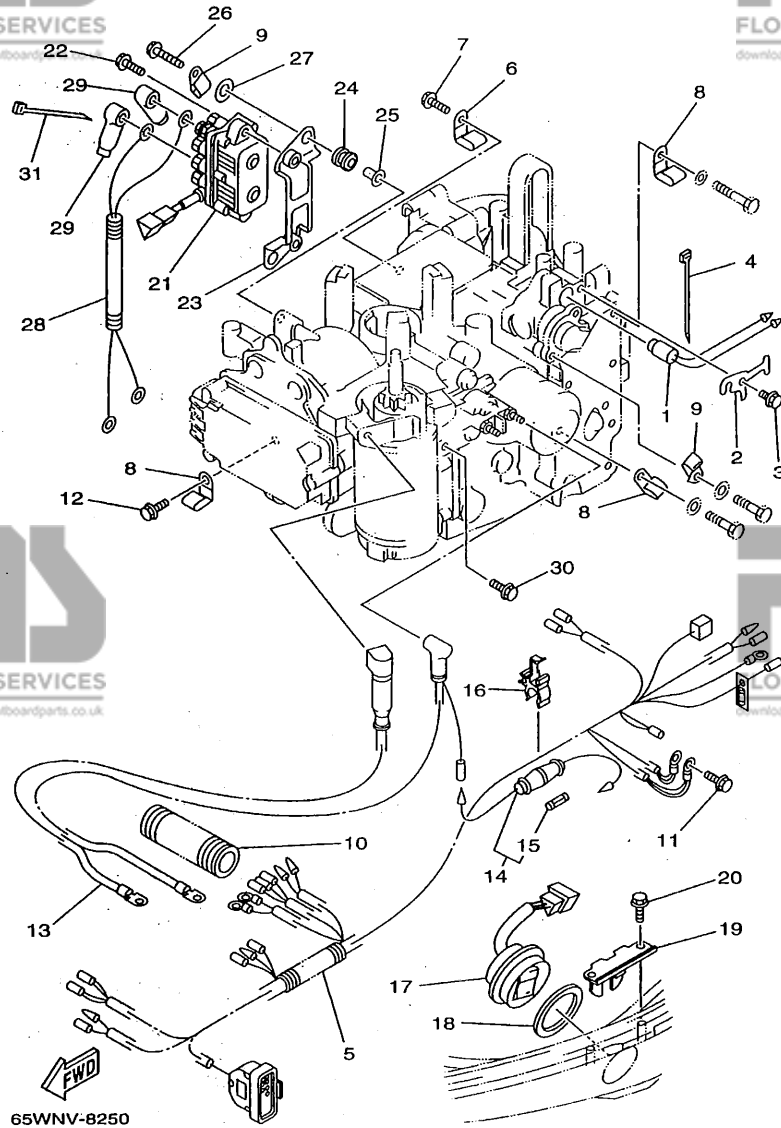


FIG. 26 ELECTRICAL 2

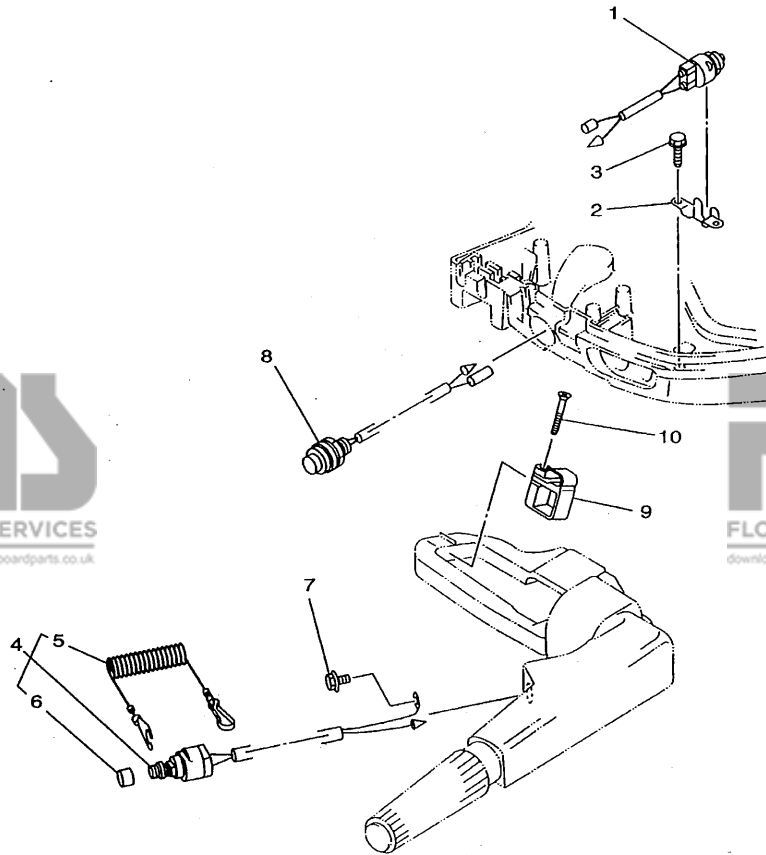
PARTIE ELECTRIQUE 2

REF. NO.	PART NO. NO. PIECES	DESCRIPTION DESCRIPTION	U	U	ET	REMARKS REMARQUES
26	95895-06030	BOLT, FLANGE BOULON, A COLLERETTE			2	
27	90201-12M16	WASHER, PLATE RONDELLE, PLATE			2	
28	65W-81949-00	WIRE, LEAD FIL			1	
29	682-82119-01	COVER, LEAD WIRE GARNITURE, FIL			4	
30	97575-06516	BOLT, WITH WASHER VIS. HEXAGONAL			1	
31	90465-11M10	CLAMP BRIDE			1	

FIG. 27 ELECTRICAL 3

PARTIE ELECTRIQUE 3

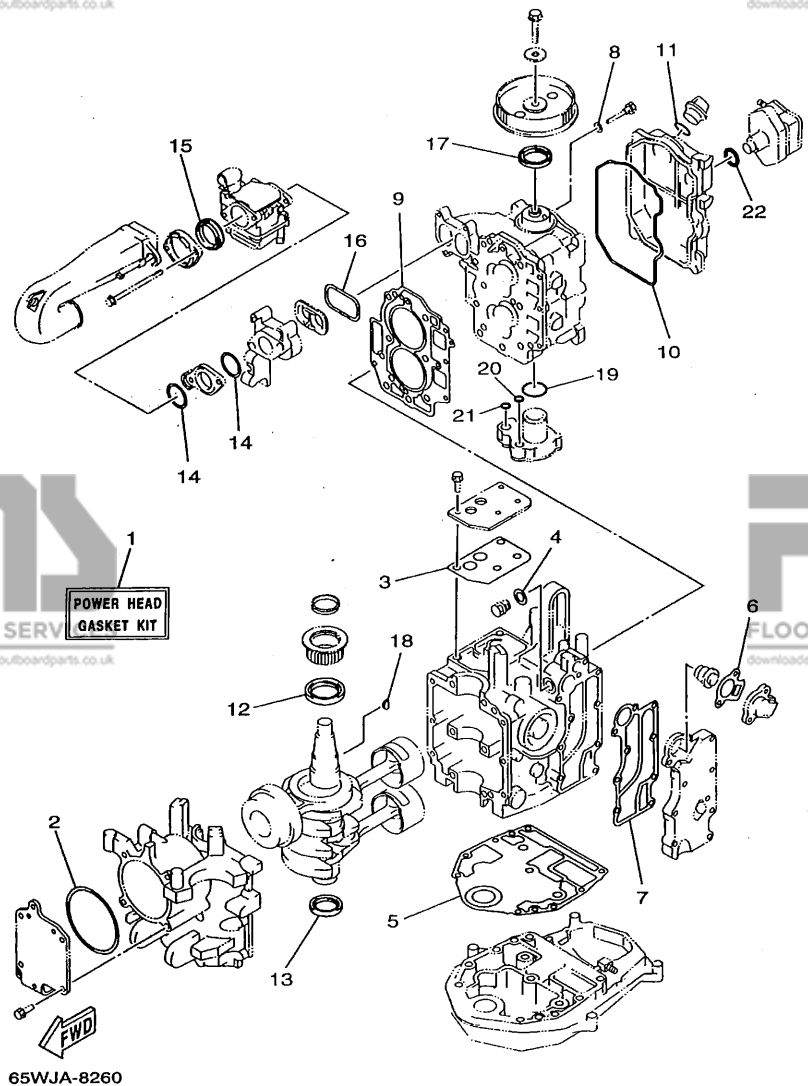
REF. NO.	PART NO. NO. PIECES	DESCRIPTION DESCRIPTION	U	ET	ET	REMARKS REMARQUES
1	6H3-82540-00	NEUTRAL SWITCH ASSY CONTACTEUR DE POINT-MORT		1		
2	6J8-82554-00	STAY, NEUTRAL SWITCH SUPPORT, CONT DE POINT-MORT		1		
3	90109-06M86	BOLT BOULON		2		
4	65W-82575-00	ENGINE STOP SWITCH ASSY COUPE CIRCUIT CPLT		1		
5	682-82556-00	.STOPPER .PLAQUETTE		1		
6	689-8257Y-00	.CAP .CHAPEAU		1		
7	97595-06512	BOLT, WITH WASHER VIS HEXAGONAL		1		
8	65W-81870-00	STARTING SWITCH ASSY CONTACT A CLEF		1		
9	65W-82594-00	CLAMP BRIDE		1		
10	90161-06M00	SCREW, TAPPING VIS, TETE FRAISEE		1		



FWD
65WJA-8250

FIG. 28 REPAIR KIT 1

KITS DE REPARATION 1



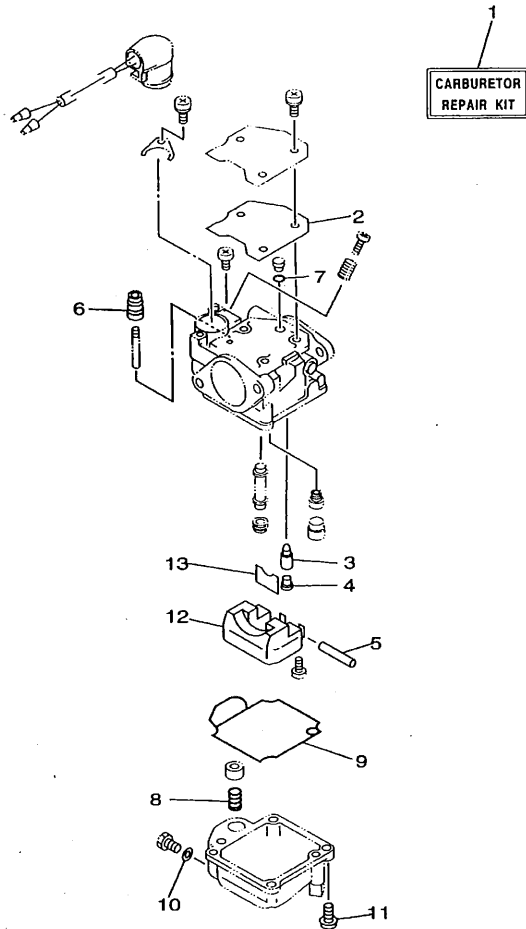
65WJA-8260

REF. NO.	PART NO. NO. PIECES	DESCRIPTION DESCRIPTION	U	I	L	REMARKS REMARQUES
1	65W-W0001-00	POWER HEAD GASKET KIT POCHETTE DE JINTS TETE MOTRICE	1	1	1	
2	65W-15663-00	.SEAL .JOINT	1	1	1	
3	65W-11169-00	.GASKET, BREATHER COVER .JOINT, COUVERCLE DE RENIFLARD	1	1	1	
4	90430-14115	.GASKET .JOINT	1	1	1	
5	65W-11351-00	.GASKET, CYLINDER .JOINT, D'EMBASE	1	1	1	
6	65W-12414-00	.GASKET, COVER .JOINT, COUVERCLE	1	1	1	
7	65W-41114-00	.GASKET, EXHAUST OUTER COVER .JOINT, COUVERCLE D'ECHAPPEMEN	1	1	1	
8	90430-06014	.GASKET .JOINT	1	1	1	
9	65W-11181-10	.GASKET, CYLINDER HEAD 1 .JOINT, DE CULASSE 1	1	1	1	
10	65W-11356-00	.SEAL, CYLINDER 2 .JOINT, SPY CYLINDRE	1	1	1	
11	93210-24M79	.O-RING .JOINT TORIQUE	1	1	1	
12	93102-43M42	.OIL SEAL .JOINT SPY	1	1	1	
13	93102-35M47	.OIL SEAL .JOINT SPY	1	1	1	
14	65W-14198-00	.GASKET .JOINT	2	2	2	
15	65W-14457-00	.SEAL .JOINT	1	1	1	
16	65W-13645-00	.GASKET, MANIFOLD 1 .JOINT, TUBULURE 1	1	1	1	
17	93102-37M40	.OIL SEAL .JOINT SPY	1	1	1	
18	90280-04M06	.KEY, WOODRUFF .CLAVETTE, DEMI-LUNE	1	1	1	
19	93210-33MH2	.O-RING .JOINT TORIQUE	1	1	1	
20	93210-12MG9	.O-RING .JOINT TORIQUE	1	1	1	
21	93210-14515	.O-RING .JOINT TORIQUE	1	1	1	
22	93210-24M79	.O-RING .JOINT TORIQUE	1	1	1	

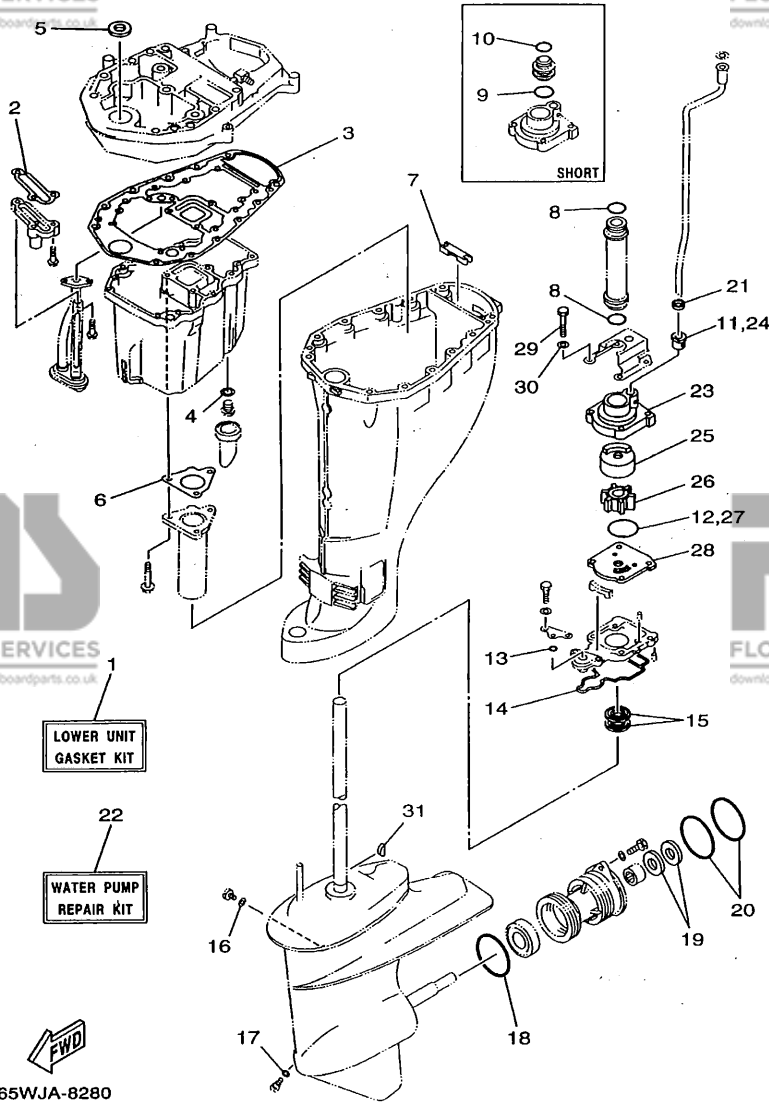
FIG. 29 REPAIR KIT 2

KITS DE REPARATION 2

REF. NO.	PART NO. NO. PIECES	DESCRIPTION DESCRIPTION	U	U	U	REMARKS REMARQUES
1	65W-W0093-00	CARBURETOR REPAIR KIT KIT DE REPARATION CARBURATEUR	1	1	1	
2	65W-14126-00	.GASKET .JOINT	1	1	1	
3	6G1-14546-00	.VALVE, NEEDLE .POINTEAU	1	1	1	
4	676-14186-00	.PIN, FLOAT .AXE, FLOTTEUR	1	1	1	
5	6H4-14548-00	.PIN, FLOAT ARM .AXE, BRAS DE FLOTTEUR	1	1	1	
6	65W-14373-00	.COVER, PLUNGER CAP .COUVERCLE DE PLONGEUR	1	1	1	
7	65W-14147-00	.O-RING .JOINT TORIQUE	1	1	1	
8	65W-14335-00	.SPRING, PLUNGER .RESSORT, PLONGEUR	1	1	1	
9	65W-14948-00	.GASKET, FLOAT CHAMBER .JOINT, CUVE DE FLOTTEUR	1	1	1	
10	65W-14398-00	.GASKET .JOINT	1	1	1	
11	97980-04114	.SCREW, WITH WASHER .VIS, AVEC RONDELLE	4	4	4	
12	63V-14985-00	.FLOAT .FLOTTEUR	1	1	1	
13	663-14159-00	.CLIP .JONC	1	1	1	



FWD
65WJA-8270



65WJA-8280

FIG. 30 REPAIR KIT 3

KITS DE PEPARATION 3

REF. NO.	PART NO. SERV NO.	DESCRIPTION DESCRIPTION	U	I	E	REMARKS REMARQUES
1	65W-W0001-20	LOWER UNIT GASKET KIT POCHETTE DE JOINTS EMBASE	1	1	1	
2	62Y-13475-00	.GASKET .JOINT	1	1	1	
3	62Y-15312-00	.GASKET, OIL PAN .JOINT DE VENTILATEUR D'HUILE	1	1	1	
4	90430-14M09	.GASKET .JOINT	1	1	1	
5	93104-16M01	.OIL SEAL .JOINT SPY	1	1	1	
6	62Y-41133-00	.GASKET, EXHAUST MANIFOLD 1 .JOINT, PIPE D'ECHAPPEMENT	1	1	1	
7	65W-45128-00	.SEAL 2 .JOINT 2	1	1	1	
8	93210-26130	.O-RING .JOINT TORIQUE	2	2	2	UR L
9	93210-26130	.O-RING .JOINT TORIQUE	1	1	1	UR S
10	93210-22164	.O-RING .JOINT TORIQUE	1	1	1	UR S
11	6L2-44367-00	.DAMPER, WATER SEAL .JOINT TUBE D'EAU	1	1	1	
12	93210-45161	.O-RING .JOINT TORIQUE	1	1	1	
13	93210-06ME6	.O-RING .JOINT TORIQUE	1	1	1	
14	61N-45315-00	.PACKING, LOWER CASING .JOINT, BOITIER D'HELICE	1	1	1	
15	93101-22067	.OIL SEAL .JOINT SPY	2	2	2	
16	90430-08020	.GASKET .JOINT	1	1	1	
17	90430-08020	.GASKET .JOINT	1	1	1	
18	93210-64ME7	.O-RING .JOINT TORIQUE	1	1	1	
19	93101-20M07	.OIL SEAL .JOINT SPY	2	2	2	
20	93210-65M50	.O-RING .JOINT TORIQUE	2	2	2	
21	90430-12072	.GASKET .JOINT	1	1	1	
22	61N-W0078-11	WATER PUMP REPAIR KIT KIT DE REPARATION DE LA POMPE	1	1	1	
23	61N-44311-01	.HOUSING, WATER PUMP .CORPS, POMPE A EAU	1	1	1	
24	6L2-44367-00	.DAMPER, WATER SEAL .JOINT TUBE D'EAU	1	1	1	
25	61N-44322-01	.INSERT, CARTRIDGE .CUVETTE	1	1	1	
26	6F4-44352-02	.IMPELLER .TURBINE	1	1	1	
27	93210-45161	.O-RING .JOINT TORIQUE	1	1	1	

B6

PART NO. NO. PIECES	REF. NO.
65W-W0001-00	28 - 1
65W-W0001-20	30 - 1
65W-W0070-10	10 - 10
61N-W0078-11	30 - 22
65W-W0084-01-4D16	1 - 1
65W-W009A-00-4D 2	- 1
65W-W009A-10-4D 2	- 1
65W-W009B-00-4D 1	- 1
65W-W0093-00	29 - 1
65W-11111-00-94	2 - 2
65W-11111-10-94	2 - 2
65W-11119-00	1 - 12
62Y-11133-10	2 - 3
65W-11169-00	1 - 9
65W-11169-00	1 - 10
	28 - 3
65W-11181-10	2 - 13
	28 - 9
65W-11191-00-94	2 - 17
62Y-11325-00	2 - 5
66M-11327-00-94	2 - 7
66M-11328-00	2 - 6
65W-11351-00	1 - 16
	28 - 5
65W-11356-00	2 - 18
	28 - 10
65W-11411-00	3 - 3
62Y-11416-00	3 - 4
62Y-11416-10	3 - 4
62Y-11416-20	3 - 4
65W-11476-00	7 - 9
65W-11536-00	7 - 8
65W-11537-00	7 - 3
65W-11545-00	23 - 4
62Y-11575-00	8 - 2
65W-11603-00	3 - 9
65W-11604-00	3 - 9
65W-11605-00	3 - 9
65W-11631-00-96	3 - 8
62Y-11633-00	3 - 10
65W-11635-00	3 - 8
65W-11636-00	3 - 8
65W-11642-11	3 - 13
62Y-11650-00	3 - 5
62Y-11654-00	3 - 6
62Y-11656-00	3 - 7
62Y-11656-10	3 - 7
62Y-11656-20	3 - 7

PART NO. NO. PIECES	REF. NO.
65W-11665-00	3 - 12
65W-12111-00	4 - 1
51Y-12114-00	4 - 4
62Y-12116-00	4 - 3
30X-12117-00	4 - 5
30X-12118-00	4 - 6
51Y-12119-00	4 - 7
62Y-12121-00	4 - 2
65W-12146-00	4 - 8
65W-12151-00	4 - 9
65W-12157-00	1 - 13
62Y-12158-00	4 - 11
62Y-12159-00	4 - 10
65W-12171-00	7 - 2
62Y-12216-00	4 - 13
65W-12228-00	1 - 8
	1 - 11
62Y-12238-00	4 - 12
6G8-12411-02	1 - 17
6H3-12413-00-9M	1 - 18
65W-12414-00	1 - 19
	28 - 6
62Y-12481-00	1 - 24
66M-12535-00	2 - 8
62Y-13131-01	9 - 6
65W-13286-00	1 - 20
65W-13300-00	7 - 11
65W-13323-00	5 - 3
65W-13411-00	8 - 5
3FV-13440-00	1 - 22
62Y-13475-00	8 - 3
	30 - 2
65W-13640-00	5 - 2
65W-13645-00	5 - 9
	28 - 16
65W-14126-00	6 - 4
	29 - 2
65W-1414F-00	6 - 20
65W-1414J-08	6 - 20
65W-14147-00	6 - 21
	29 - 7
663-14159-00	6 - 15
	29 - 13
62Y-14186-00	6 - 14
	29 - 4
65W-14198-00	5 - 6
	28 - 14
65W-14262-00	5 - 7

PART NO. NO. PIECES	REF. NO.
65W-14271-00	5 - 5
6A0-14325-00	9 - 10
65W-14335-00	6 - 22
	29 - 8
65W-14346-00	6 - 30
65W-14371-00	6 - 23
65W-14373-00	6 - 18
	29 - 6
65W-14379-00	6 - 19
65W-14380-00	6 - 29
65W-14398-00	6 - 26
	29 - 10
65W-14409-00	5 - 15
65W-14440-00	5 - 1
65W-14457-00	5 - 8
	28 - 15
65W-14496-00	5 - 4
65W-14497-00	18 - 6
63V-14523-00	6 - 9
6G1-14546-00	6 - 13
	29 - 3
6H4-14548-00	6 - 17
	29 - 5
65W-14572-00	6 - 3
65W-14901-00	6 - 1
65W-14901-21	6 - 1
65W-14943-28	6 - 11
65W-14943-29	6 - 11
65W-14947-00	6 - 10
65W-14947-20	6 - 10
65W-14948-00	6 - 24
	29 - 9
65W-14948-07	6 - 6
676-14948-07	6 - 6
679-14966-00	6 - 7
65W-14980-00	6 - 25
65W-14980-20	6 - 25
63V-14985-00	6 - 12
	29 - 12
65W-14992-00	6 - 27
65W-15100-00-94	1 - 2
65W-15121-00	1 - 6
65W-15311-00-5B	8 - 8
62Y-15312-00	8 - 9
	30 - 3
65W-15316-00	8 - 11
65W-15362-00	8 - 1
6G8-15363-00	2 - 22

PART NO. NO. PIECES	REF. NO.
65W-15370-00	5 - 17
65W-15370-10	5 - 18
65W-15397-00	5 - 12
65W-15663-00	1 - 7
	28 - 2
65W-15758-10	23 - 17
65W-15762-00	23 - 18
65W-15771-00	23 - 19
65W-24135-00	25 - 27
65W-24251-00	9 - 17
6G1-24304-02	9 - 22
62Y-24374-01	9 - 14
65W-24377-00	5 - 11
62Y-24410-02	9 - 1
62Y-24411-02	9 - 4
62Y-24413-00	9 - 2
62Y-24421-01	9 - 3
62Y-24423-00	9 - 5
62Y-24444-00	9 - 8
62Y-24452-00	9 - 12
62Y-24454-00	9 - 7
62Y-24471-00	9 - 9
65W-24481-00	9 - 18
65W-26311-00	16 - 26
65W-26326-00	11 - 20
65W-26326-10	11 - 20
62Y-28100-00	9 - 28
65W-41113-00-94	1 - 23
65W-41114-00	1 - 25
	28 - 7
65W-41131-00-94	20 - 3
62Y-41133-00	20 - 4
	30 - 6
65W-41137-00-94	20 - 1
65W-41211-00	18 - 5
661-41262-02	18 - 3
65W-41283-00	18 - 2
65W-41638-00	18 - 1
6F5-41662-00	18 - 13
65W-42101-00-4D	16 - 11
65W-42101-01-4D	16 - 11
66M-42119-00	16 - 19
664-42119-00	16 - 19
65W-42121-00-4D	16 - 37
65W-42123-00	16 - 6
65W-42125-00	16 - 16
6G1-42126-00	16 - 15
65W-42131-00	16 - 34

PART NO. NO. PIECES	REF. NO.
65W-42131-01	16 - 34
6J0-42137-00	16 - 20
65W-42138-00	16 - 13
65W-42159-00	16 - 14
6F6-42177-A0	16 - 18
66M-42177-00	16 - 18
65W-42508-00	17 - 1
65W-42511-00-4D	14 - 6
65W-42511-10-4D	14 - 6
65W-42527-00	17 - 2
648-42528-00	14 - 1
65W-42528-00	17 - 12
624-42542-00	26 - 25
65W-42561-00	17 - 5
65W-42562-00	17 - 10
65W-42610-00-4D	10 - 1
65W-42610-30-4D	10 - 1
65W-42613-00	10 - 2
65W-42615-00	10 - 8
6E0-42651-02	10 - 4
6E7-42652-00	10 - 6
65W-42678-10	10 - 9
65W-42678-30	10 - 9
65W-42681-10	10 - 11
65W-42682-10	10 - 12
65W-42710-00-4D	11 - 1
65W-42710-10-4D	11 - 1
62Y-42716-00	11 - 6
6G1-42725-00	11 - 23
	23 - 15
65W-42725-10	11 - 9
65W-42725-20	11 - 9
6H1-42726-10	11 - 22
6H4-42726-00	11 - 22
65W-42726-00	11 - 24
65W-42726-10	11 - 24
62Y-42727-00	11 - 10
65W-42727-00	11 - 10
682-42727-00	11 - 21
65W-42738-00-4D	11 - 7
6T4-43802-03	11 - 26
65W-42743-00	11 - 5
65W-42766-00	11 - 17
65W-42815-00-4D	11 - 11
6L2-42816-00	11 - 15
65W-43111-00-4D	12 - 5
65W-43111-01-4D	12 - 5
65W-43111-10-4D	13 - 5

PART NO. NO. PIECES	REF. NO.
65W-43112-00-4D	12 - 10
65W-43112-01-4D	12 - 10
65W-43112-10-4D	13 - 6
6J8-43113-01	12 - 24
648-43114-01	12 - 8
	12 - 13
663-43118-01-4D	12 - 7
	12 - 12
63D-43131-00	12 - 21
	13 - 13
6E5-43145-01	19 - 9
6G5-43145-00	12 - 26
	13 - 17
63V-43145-00	12 - 25
65W-43160-00	12 - 58
65W-43191-00	13 - 8
65W-43192-00	13 - 7
65W-43311-00-4D	12 - 19
65W-43311-10-4D	12 - 19
	13 - 11
663-43318-00	12 - 36
65W-43350-00	12 - 45
66T-43350-01	12 - 45
66T-43350-01	12 - 45
65W-43373-00	14 - 2
65W-43613-00	12 - 52
65W-43614-00	12 - 50
65W-43615-00	12 - 51
65W-43616-00	12 - 49
65W-43627-01	12 - 27
65W-43630-00	12 - 37
65W-43630-10	12 - 37
65W-43631-00	12 - 47
66T-43631-00	12 - 47
66T-43631-10	12 - 47
689-43633-00	17 - 6
65W-4380F-00	15 - 12
65W-4380K-00	15 - 16
65W-4380L-00	15 - 27
65W-43800-00-4D	15 - 1
65W-43802-03	15 - 30
65W-43804-00	15 - 3
65W-43805-00	15 - 4
65W-4381B-00	15 - 22
65W-43810-00	15 - 17
65W-43812-00	15 - 18
6H1-43816-00	15 - 25
65W-43817-00	15 - 39

PART NO. NO. PIECES	REF. NO.	PART NO. NO. PIECES	REF. NO.	PART NO. NO. PIECES	REF. NO.	PART NO. NO. PIECES	REF. NO.	PART NO. NO. PIECES	REF. NO.	PART NO. NO. PIECES	REF. NO.
65W-4382A-00	15-47	65W-44143-10	18-17	61N-45371-00	22-7	65W-81801-00	24-8	6K3-83557-00	25-22	90149-05M13	16-22
6H1-43829-00	15-61	65W-44150-00	21-59	61N-45510-00	21-35	65W-81807-00	24-5	6N7-83557-00	26-10	90149-14M12	12-6
65W-43830-00	15-36	65W-44150-10	21-59	61N-45510-10	21-35	65W-8182A-00	25-16	62Y-83614-00	26-19		12-11
65W-43831-00	15-35	65W-44173-00	16-38	61N-45536-00	21-5	65W-8182B-00	25-17	65W-84342-00	23-16	90157-06M06	20-11
6H1-4384F-10	15-57	65W-44176-00	21-19	61N-45551-00	21-37	65W-8182S-00	24-10	65W-85410-00	23-10	90161-06M00	27-10
65W-43840-00	15-15	6E0-44191-11	16-10	61N-45560-00	21-41	65W-81820-00	24-7	65W-85510-00	23-2	90170-06O15	18-18
62X-43841-00	15-33	65W-44192-00	18-27	6L2-45567-00-10	21-40	65W-81826-00	24-2	65W-85510-10	23-2	90170-09M03	19-5
65W-43843-00	15-54	61N-44311-01	21-11	6L2-45567-00-11	21-40	65W-81830-00	24-4	65W-85540-00	25-1	90170-20137	3-14
6H1-43844-10	15-56		30-23	6L2-45567-00-12	21-40	65W-81840-00	24-9	65W-85540-10	25-1		23-6
65W-43844-00	15-48	61N-44322-01	21-13	6L2-45567-00-13	21-40	65W-81850-00	24-6	65W-85542-00	25-4	90171-14013	22-16
6H1-43845-00	15-43		30-25	6L2-45567-00-14	21-40	65W-81857-00	24-3	65W-85547-00	25-5	90179-10M14	21-38
6H1-43847-00	15-45	61N-44323-00	21-16	61N-45571-00	21-49	65W-81870-00	27-8	65W-85550-00	23-1	90179-10M33	14-25
65W-43851-00	15-49		30-28	6L2-45577-00-10	21-50	65W-8191C-00	25-14	65W-85570-00	25-8	90185-05002	22-12
6T4-43853-00	15-37	65W-44328-00	21-10	6L2-45577-00-11	21-50	65W-81922-00	25-15	65W-85580-00	23-3	90185-08045	14-12
65W-43853-00	15-60	6H4-44352-02	21-14	6L2-45577-00-12	21-50	65W-81941-00	25-13	65W-85757-00	26-2	90185-08057	16-35
65W-43854-00	15-46		30-26	6L2-45577-00-13	21-50	65W-81948-00	26-23	65W-85790-00	26-1	90185-09M01	19-4
65W-43855-00	15-52	65W-44361-00	22-1	61N-45587-00-07	21-4	65W-81949-00	26-28	65W-86129-00	25-2	90185-10M13	13-35
6H1-43856-10	15-55	65W-44361-10	22-1	61N-45587-00-10	21-4	61A-81950-00	26-21	65W-86129-10	25-6	90185-10M14	17-9
65W-4386A-00	15-58	61N-44362-00	21-7	61N-45587-00-11	21-4	65W-81960-00	25-21	90101-08M76	12-16	90185-10051	14-4
65W-4386K-00	15-6	61N-44362-10	21-7	61N-45587-00-12	21-4	65W-82105-00	26-13	90101-08M86	14-14	90185-22M11	13-16
6H1-43861-10	15-20	6L2-44367-00	21-12	61N-45587-00-13	21-4	65W-82117-00	25-19	90101-09M01	19-7	90201-05M06	18-28
	15-23		30-11	61N-45587-00-14	21-4	6G5-82119-01	25-20	90101-10M58	12-1	90201-06M31	18-7
65W-43861-00	15-40		30-24	61N-45587-00-15	21-4	682-82119-01	26-29	90101-12M65	13-1		18-25
65W-43862-00	15-41	6H3-44391-01	11-19	61N-45587-00-16	21-4	703-82119-00	25-26	90105-08M76	14-3	90201-08M00	13-29
65W-43865-00	15-19	65W-44514-00-4D	14-15	6L2-45611-00	21-42	6U0-82127-00	13-26	90105-10M12	22-5	90201-10M06	7-5
6H1-43866-00	15-31	63D-44526-00	14-16	664-45631-01	21-44	65W-82127-00	25-25	90109-06M50	17-3	90201-10M20	19-3
6H1-43867-00	15-32	65W-44551-10-4D	14-19	648-45633-00	21-46	65W-82127-10	14-26	90109-06M65	2-12	90201-10M63	19-8
65W-43869-00	15-5	65W-44555-00	14-20	648-45635-00	21-43	6H1-82148-00	13-25	90109-06M81	18-14	90201-10120	14-28
65W-43871-00	15-21	65W-44575-00	14-21	664-45941-01-EL	22-18	6G8-82150-00	26-14	90109-06M82	11-8	90201-12M07	16-5
6H1-43875-00	15-42	65W-44575-10	14-21	664-45943-01-EL	22-18	663-82151-00	26-15	90109-06M86	11-18	90201-12M16	26-27
62X-43878-00	15-62	65W-45111-00-4D	20-6	664-45945-00-EL	22-18	6G5-82152-00	26-16		16-12	90201-12426	12-3
65W-43879-00	15-13	65W-45111-10-4D	20-6	664-45947-01-EL	22-18	6A0-82317-00	26-24		18-16		13-3
65W-4388E-00	15-14	61N-45127-00	21-25	664-45949-02-EL	22-18	6G8-82370-20	25-9		26-20	90201-20417	21-48
65W-43880-00	15-2	65W-45128-00	20-12	664-45952-00-EL	22-18	65W-82504-00	25-24		27-3	90201-21M18	23-5
65W-43881-00	15-8		30-7	664-45954-00-EL	22-18	65W-8252V-00	25-3	90109-08M63	4-14	90201-22M03	12-23
65W-43882-00	15-7	65W-45151-00	20-9	664-45970-00-98	22-18	65W-8252V-10	25-7	90109-08M77	24-12		13-15
65W-43887-00	15-9	6L2-45214-00	22-9	664-45972-00-98	22-18	6H3-82540-00	27-1	90109-08M78	24-13	90201-43M00	16-30
65W-43888-00	15-28	6L2-45215-00	22-10	6L2-45987-01	22-13	6J8-82554-00	27-2	90109-08M87	12-30	90202-05M38	10-13
65W-43891-00	15-11	61N-45251-00	21-30	689-45997-00	22-14	682-82556-00	27-5	90110-10M02	13-33	90202-10M56	17-11
65W-43892-00	15-10	65W-45251-00	13-23	65W-46241-00	7-7	6H1-82563-10	26-17	90116-10M28	14-5	90202-12060	22-2
65W-44111-00	16-2	65W-45300-00-4D	21-1	663-48344-00	18-31	689-8257Y-00	27-6	90119-06M08	11-2	90202-43M57	16-32
65W-44116-00	18-15	65W-45300-10-4D	21-1	65W-48511-00	14-27	65W-82575-00	27-4	90119-06M48	22-8	90206-12M00	16-4
65W-44121-00	18-10	61N-45311-02-4D	21-2	6H3-48538-00	18-33	6E5-82587-00	26-18	90119-08M01	1-4	90206-12052	11-14
65W-44122-00	18-11	61N-45315-00	21-26	65W-61350-00	19-1	65W-82590-00	26-5	90119-08M39	24-11	90206-14M23	12-29
65W-44124-00	16-7		30-14	65W-61351-00	19-2	65W-82590-10	26-5	90119-08M79	20-7	90206-43M22	16-31
65W-44125-00	18-23	65W-45331-00-5B	21-23	65W-81337-00	23-12	65W-82590-30	26-5	90119-08M82	20-8	90209-10M26	17-13
65W-44142-00	18-21	688-45341-00	21-33	65W-81639-00	23-13	65W-82594-00	27-9	90119-09M00	2-15	90209-52M00	14-7
65W-44143-00	18-17	61N-45361-01-4D	21-51	65W-81800-00	24-1	65W-8339X-00	25-28	90119-10M04	14-24	90243-04007	12-9

PART NO. NO. PIECES	REF. NO.
90243-04007	12 - 14
90249-07M32	12 - 53
90249-07M33	12 - 55
90249-10M31	12 - 42
90249-12M34	12 - 34
90249-12M38	13 - 20
90249-12M39	12 - 32
90249-18M35	13 - 32
90250-05010	21 - 45
90266-04M04	10 - 5
	10 - 7
90269-02M09	16 - 21
90280-03024	21 - 36
	30 - 31
90280-04M06	7 - 10
	28 - 18
90340-08M04	21 - 28
90340-14M06	1 - 14
	8 - 12
90386-07MA2	12 - 38
90386-08032	16 - 25
90386-10M99	12 - 40
	12 - 43
90386-12MA0	12 - 33
	13 - 18
90386-12MA2	11 - 13
90386-12M37	11 - 12
90386-12M98	12 - 28
	13 - 19
90386-14MA1	13 - 10
90386-18MA0	13 - 31
90386-18M44	13 - 30
90386-22M15	12 - 22
	13 - 14
90386-40MA0	16 - 29
90386-40M99	16 - 33
90386-44M03	14 - 9
90386-44M99	14 - 11
90386-52M02	14 - 8
90387-05M11	17 - 8
90387-06M08	18 - 4
90387-06M29	18 - 24
90387-06M69	11 - 4
90387-07M05	12 - 39
90387-07M29	12 - 54
90387-08M29	12 - 15
90387-10M42	19 - 6
90387-12M04	12 - 31

PART NO. NO. PIECES	REF. NO.
90401-20M00	1 - 21
90430-06014	2 - 11
	28 - 8
90430-08020	21 - 29
	21 - 34
	30 - 16
	30 - 17
90430-08143	2 - 21
90430-12072	22 - 3
	30 - 21
90430-14M09	8 - 13
	30 - 4
90430-14115	1 - 15
	28 - 4
90445-09252	1 - 28
90445-10M03	9 - 20
90445-10M33	9 - 19
90445-10M43	9 - 21
90446-10M82	23 - 9
90446-10M86	16 - 27
90446-14M88	16 - 28
90446-24M54	5 - 14
90464-07M05	25 - 12
90465-08M08	26 - 6
	26 - 8
90465-08M51	26 - 9
90465-11M10	9 - 26
	23 - 11
	26 - 4
	26 - 31
90465-11M52	5 - 16
90465-13M11	13 - 22
90465-13M18	9 - 27
90465-13M36	5 - 13
90465-25M57	11 - 25
90467-09M03	9 - 25
90467-10M04	9 - 24
90468-10005	18 - 29
90468-18008	16 - 9
	16 - 9
	18 - 20
	18 - 30
	18 - 32
90480-09M12	11 - 3
90480-25161	25 - 10
90501-10065	21 - 47
90501-10326	6 - 8
90501-23215	16 - 24
90506-20M36	12 - 46

PART NO. NO. PIECES	REF. NO.
90506-20M37	12 - 46
90506-30M00	12 - 56
91318-04025	15 - 38
91380-05025	23 - 7
91380-05030	23 - 7
91490-16010	16 - 17
91490-20015	12 - 57
91490-30022	22 - 17
91690-30016	12 - 48
91690-30018	13 - 9
91690-30320	16 - 39
	18 - 12
	18 - 22
92903-06600	1 - 27
92903-10600	16 - 23
92990-06100	17 - 4
92990-06200	16 - 8
92990-06300	21 - 32
92990-06600	30 - 30
92990-08100	12 - 18
92990-08600	24 - 15
92990-14200	22 - 15
92995-06600	21 - 18
	21 - 22
	21 - 58
92995-08100	14 - 18
92995-08200	14 13
92995-10600	12 - 2
	13 - 34
	14 - 23
	22 - 6
92995-12200	13 - 2
93101-20M07	21 - 55
	30 - 19
93101-22067	21 - 27
	30 - 15
93102-35M47	3 - 2
	28 - 13
93102-37M40	7 - 1
	28 - 17
93102-43M42	3 - 1
	28 - 12
93104-16M01	20 - 2
	30 - 5
93210-03478	15 - 51
93210-06ME6	21 - 20
	30 - 13
93210-064A5	15 - 26

PART NO. NO. PIECES	REF. NO.
93210-08006	15 - 50
93210-09165	15 - 34
93210-10M74	15 - 63
93210-11073	15 - 53
93210-11368	15 - 24
93210-12MG9	7 - 13
	28 - 20
93210-14515	7 - 14
	28 - 21
93210-16275	19 - 10
93210-18397	15 - 44
93210-22164	21 - 8
	30 - 10
93210-24M79	2 - 23
	9 - 15
	28 - 11
	28 - 22
93210-26130	21 - 9
	30 - 8
	30 - 9
93210-33MH2	7 - 12
	28 - 19
93210-43MJ0	14 - 10
93210-45161	21 - 15
	30 - 12
93210-50768	30 - 27
93210-64ME7	15 - 29
	21 - 53
	30 - 18
93210-65M50	21 - 56
	30 - 20
93306-00612	21 - 52
93315-220V7	21 - 6
93315-22004	21 - 54
93332-000W5	21 - 3
93332-00005	21 - 39
93430-10M00	12 - 35
	13 - 21
93450-09M01	2 - 4
93450-17129	3 - 11
93501-08001	15 - 59
93604-10M03	21 - 24
93605-14143	7 - 4
93606-12019	8 - 10
	22 - 4
93608-12M05	8 - 7
93700-06M03	12 - 20
	13 - 12

PART NO. NO. PIECES	REF. NO.
93700-06M03	17 - 14
94701-00375	2 - 24
95380-03600	9 - 11
95380-05600	9 - 13
95380-06700	18 - 19
95380-08600	12 - 17
	16 - 36
95380-08700	24 - 14
95380-10600	12 - 4
95380-10700	16 - 36
95380-12600	13 - 4
95780-10300	16 - 35
95895-06016	16 - 3
95895-06030	26 - 26
95895-06035	21 - 31
95895-10040	7 - 6
97013-06035	1 - 26
97075-06020	21 - 57
97075-08030	14 - 17
97075-10070	14 - 22
97080-08016	13 - 28
97085-06025	13 - 24
97095-06010	18 - 9
97095-06012	11 - 16
97095-06025	21 - 21
97095-06040	21 - 17
97095-08014	2 - 20
97395-06040	30 - 29
97513-06516	8 - 6
97513-06520	2 - 10
	2 - 19
97513-06525	2 - 16
	8 - 4
97513-06535	1 - 5
	7 - 15
97575-06516	26 - 30
97575-06520	26 - 22
97575-06525	8 - 14
97575-06545	20 - 5
97595-05512	2 - 9
97595-05516	17 - 7
	23 - 8
	26 - 12
97595-06512	26 - 3
	27 - 7
97595-06514	13 - 27
97595-06516	26 - 7
	26 - 11

PART NO. NO. PIECES	REF. NO.
97595-06518	11 - 27
97595-06525	5 - 10
	9 - 23
	18 - 26
	23 - 14
	25 - 18
	9 - 16
97595-06530	25 - 11
	25 - 23
97595-06540	18 - 8
97595-06620	23 - 20
97780-60520	10 - 3
97803-04010	6 - 5
97980-04114	6 - 28
	29 - 11
97980-05216	20 - 10
98580-04006	6 - 2
98580-04008	6 - 16
98780-05030	22 - 11
99080-08600	12 - 41
	12 - 44
	1 - 3
	2 - 14
99530-08012	

.....

.....

.....

.....

.....

.....

.....

.....

.....

.....

.....

.....

.....

.....

.....

.....

.....

.....

.....

.....

.....

.....

.....

.....

.....

.....

.....

.....

.....

.....

.....

.....



FLOOD MARINE SERVICES

downloaded from www.yamahaoutboardparts.co.uk



FLOOD MARINE SERVICES

downloaded from www.yamahaoutboardparts.co.uk



FLOOD MARINE SERVICES

downloaded from www.yamahaoutboardparts.co.uk



FLOOD MARINE SERVICES

downloaded from www.yamahaoutboardparts.co.uk



FLOOD MARINE SERVICES

downloaded from www.yamahaoutboardparts.co.uk



FLOOD MARINE SERVICES

downloaded from www.yamahaoutboardparts.co.uk



FLOOD MARINE SERVICES

downloaded from www.yamahaoutboardparts.co.uk



FLOOD MARINE SERVICES

downloaded from www.yamahaoutboardparts.co.uk



FLOOD MARINE SERVICES

downloaded from www.yamahaoutboardparts.co.uk



*COPYRIGHT : All rights reserved. No part of this publication
may be reproduced without permission.*

DROIT DE COPIE : TOUS DROITS RESERVES.

*TOUTE PARTIE DE CETTE PUBLICATION NE
PEUT ETRE REPRODUITE SANS AUTORISATION.*



PRINTED ON RECYCLED PAPER
IMPRIME SUR PAPIER RECYCLE

YAMAHA
YAMAHA MOTOR CO., LTD.
2500 SHINGAI IWATA SHIZUOKA JAPAN
SERVICE INFORMATION DIV.



Printed in Japan
First edition MAR., 1998
T6

IMPRIME AU JAPON
Première édition MARS., 1998
T6

