

**PARTS
CATALOGUE
CATALOGUE
DE PIÈCES
DETACHEES**

F50A '96 (62Y)
F50B '96 (64J)
F45A '96 (62Y)

A1

2U62Y-300F1

This Parts Catalogue is related to the parts for the model(s) in the below frame. When you are ordering replacement parts, please refer to this Parts Catalogue and quote both part numbers and part names correctly.

F50A'96 (62Y),F50B'96 (64J),F45A'96 (62Y)

1. Modifications or additions which have been made after issue of the Parts Catalogue will be announced in the Yamaha Parts News. It is advisable that you make necessary corrections to the Parts Catalogue according to the Yamaha Parts News.

2. Abbreviations

The following abbreviations are used in this Parts Catalogue.

- | | |
|---|-------------------------------|
| "UR" Use specified parts number. | "M" Manual start model |
| "UN" Use as many as needed. | "E" Electric start model |
| "AP" Alternate Parts | "PTT" Power Trim & Tilt model |
| "LM" Local Made (Parts need to be ordered locally) | "H/T" Hydro Tilt model |
| "O/S" Over Size | "M/T" Manual Tilt model |
| | "T.H/D" Tiller Handle model |

3. Parts, which are to be supplied in an assembly, are listed with a dot (.) in front of the part name as shown below.

EXAMPLE

- CARBURETOR ASSY
- . JET, PILOT
- . NOZZLE, MAIN

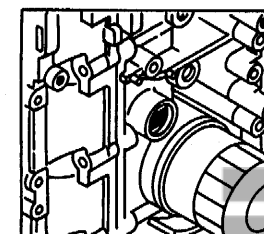
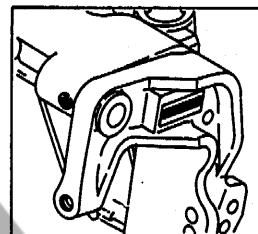
4. Number of component for assembly

The numeral appearing to the right of each component part indicates the quantity of parts for each assembly unit.

EXAMPLE

| PART NO. | DESCRIPTION | Q'TY | REMARKS |
|-----------------|---------------------|------|---------|
| 6E0-85500-70 | C.D.I. MAGNETO ASSY | 1 | |
| 6E0-85550-70 | . ROTOR ASSY | 1 | |
| 6E0-15723-00-94 | . . PULLY, STARTER | 1 | |

| Engine Serial No. | |
|-------------------|---------------------|
| | F50AE L : 300357 ~ |
| | F50AET L : 401901 ~ |
| | F50BET L : 400122 ~ |
| | F45AED L : 500101 ~ |
| | F45AET L : 550101 ~ |



| Color Code | Color Name | Abbreviation |
|------------|-----------------------------|--------------|
| 4D | DARK BLUISH GRAY METALLIC 2 | DBNM2 |

6. Note that the illustrations are for reference in finding parts numbers, not to be used for assembling. When assembling, please use the applicable service manual.

AVANT-PROPOS

Ce Catalogue de pièces détachées concerne les pièces pour le(s) modèle(s) indiqué(s) dans le cadre ci-dessous. Lorsque vous commandez des pièces de rechange, veuillez vous référer à ce catalogue de pièces détachées et indiquer clairement les numéros et les noms des pièces détachées.

F50A '96 (62Y), F50B '96 (64J), F45A '96 (62Y)

1. Les modifications ou ajouts ayant été effectués après la parution du catalogue de pièces détachées seront décrits dans les Bulletins d'information Yamaha concernant les pièces détachées.

Il est recommandé que vous apportiez les corrections nécessaires au catalogue des pièces détachées en vous référant aux Bulletins d'information Yamaha.

2. Abréviations

Dans ce catalogue, les abréviations suivantes sont utilisées:

- "UR" Utiliser le numéro des pièces.
- "UN" Utiliser autant que nécessaire.
- "AP" Pièces de substitution
- "OS" Cote Réparation
- "LM" Fabrication locale
(les pièces doivent être commandées localement.)
- "M" Modèle à démarrage manuel
- "E" Modèle à démarrage électrique
- "PTT" Modèle à assiette et relevage assistés
- "H/T" Modèle à relevage hydraulique
- "M/T" Modèle à relevage manuel
- "T.H/D" Modèle à commande par barre franche

3. Dans ce catalogue, les pièces qui sont fournies dans un ensemble sont précédées d'un point (.) de la manière indiquée ci-dessous.

EXEMPLE ENS CARBURATEUR
 . GICLEUR, ralenti
 . PUIFS D'AIGUILLE

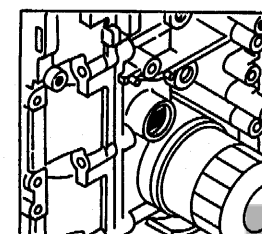
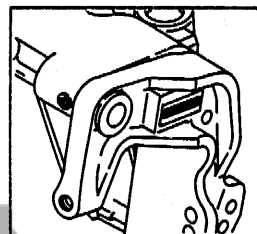
4. Nombre de pièces composant un ensemble

Le chiffre apparaissant à la droite de chaque description indique la quantité de pièces pour chaque ensemble de pièces .

| Référence | Description | Qté | Remarques |
|-----------------|-------------------------|-----|-----------|
| 6E0-85500-70 | MAGNETO C.D.I CPLT | 1 | |
| 6E0-85550-70 | . ROTOR CPLT | 1 | |
| 6E0-15723-00-94 | . . POULIE DE DEMARREUR | 1 | |

5. Applications No de série et code couleur correspondants

| No de série du moteur | |
|-----------------------|---------------------|
| | F50AE L : 300357 ~ |
| | F50AET L : 401901 ~ |
| | F50BET L : 400122 ~ |
| | F45AED L : 500101 ~ |
| | F45AET L : 550101 ~ |



| Code couleur | Nom de couleur | Abréviation |
|--------------|-----------------------------|-------------|
| 4D | DARK BLUISH GRAY METALLIC 2 | DBNM2 |

6. Veuillez noter que les illustrations sont indiquées pour référence pour trouver les numéros de pièces, non pour être utilisées lors de l'assemblage. Lors de l'assemblage, veuillez utiliser le manuel d'entretien adéquat.

N/ZI, Name

Sheet 1/2 (Fig. 1 to Fig. 21)

| | | |
|---------|---|--------|
| FIG. 1 | CYLINDER. CRANKCASE | A6 |
| FIG. 2 | CYLINDER. CRANKCASE 2 | A7, B1 |
| FIG. 3 | CRANKSHAFT. PISTON | B2 |
| FIG. 4 | VALVE | B3 |
| FIG. 5 | INTAKE | B4, B5 |
| FIG. 6 | CARBURETOR LINK | B6, B7 |
| FIG. 7 | CARBURETOR | C1, C2 |
| FIG. 8 | OIL PUMP | C3 |
| FIG. 9 | OIL PAN | C4 |
| FIG. 10 | FUEL | C5, C6 |
| FIG. 11 | TOP COWLING | C7 |
| FIG. 12 | BOTTOM COWLING | D1, D2 |
| FIG. 13 | BRACKET 1 | D3, D4 |
| FIG. 14 | BRACKET 2 | D5, D6 |
| FIG. 15 | POWER TRIM & TILT ASSY 1 | D7~E2 |
| FIG. 16 | CONTROL | E3, E4 |
| FIG. 17 | UPPER CASING | E5 |
| FIG. 18 | LOWER CASING. DRIVE 1 (F50A/F45A) | E6~F1 |
| FIG. 19 | LOWER CASING. DRIVE 2 (F50A/F45A) | F2, F3 |
| FIG. 20 | LOWER CASING. DRIVE 3 (F50B) | F4~F6 |
| FIG. 21 | LOWER CASING. DRIVE 4 (F50B) | F7 |

NUMERICAL INDEX

Sheet 2/2 (Fig. 22 to Fig. 30)

| | | |
|---------|---|--------|
| FIG. 22 | GENERATOR | A6 |
| FIG. 23 | STARTING MOTOR | A7 |
| FIG. 24 | ELECTRICAL 1 | B1 |
| FIG. 25 | ELECTRICAL 2 | B2, B3 |
| FIG. 26 | ALTERNATE 1 (STEERING GUIDE ATTACHMENT) | B4 |
| FIG. 27 | REPAIR KIT 1 | B5 |
| FIG. 28 | REPAIR KIT 2 | B6 |
| FIG. 29 | REPAIR KIT 3 (F50A/F45A) | B7, C1 |
| FIG. 29 | REPAIR KIT 4 (F50B) | C2, C3 |

NUMERICAL INDEX

TABLE DES MATIERES

N°1, Name

Feuille 1/2 (Fig. 1 ~ Fig. 21)

| | | |
|-----------------|--|--------|
| FIG. 1 | CYLINDRE. CARTER | A6 |
| FIG. 2 | CYLINDRE. CARTER 2 | A7, B1 |
| FIG. 3 | VILEBREQUIN. PISTON | B2 |
| FIG. 4 | SOUPAPE | B3 |
| FIG. 5 | ADMISSION | B4, B5 |
| FIG. 6 | BIELLETTTE CARBURATEUR | B6, B7 |
| FIG. 7 | CARBURATEUR | C1, C2 |
| FIG. 8 | POMPE A HUILE | C3 |
| FIG. 9 | VENTILATEUR D'HUILE | C4 |
| FIG. 10 | CARBURANT | C5, C6 |
| FIG. 11 | CAPOT SUPERIEUR | C7 |
| FIG. 12 | CAPOT INFERIEUR | D1, D2 |
| FIG. 13 | SUPPORT 1 | D3, D4 |
| FIG. 14 | SUPPORT 2 | D5, D6 |
| FIG. 15 | PUISSANCE PARER ET INCLINER (ENS.) 1 | D7~E2 |
| FIG. 16 | COMMANDE | E3, E4 |
| FIG. 17 | FOURREAU | E5 |
| FIG. 18 | BOITIER D'HELICE, TRANSMISSION 1 (F50A/F45A) | E6~F1 |
| FIG. 19 | BOITIER D'HELICE, TRANSMISSION 2 (F50A/F45A) | F2, F3 |
| FIG. 20 | BOITIER D'HELICE, TRANSMISSION 3 (F50B) | F4~F6 |
| FIG. 21 | BOITIER D'HELICE, TRANSMISSION 4 (F50B) | F7 |
| INDEX NUMERIQUE | | |

Feuille 2/2 (Fig. 22 ~ Fig. 30)

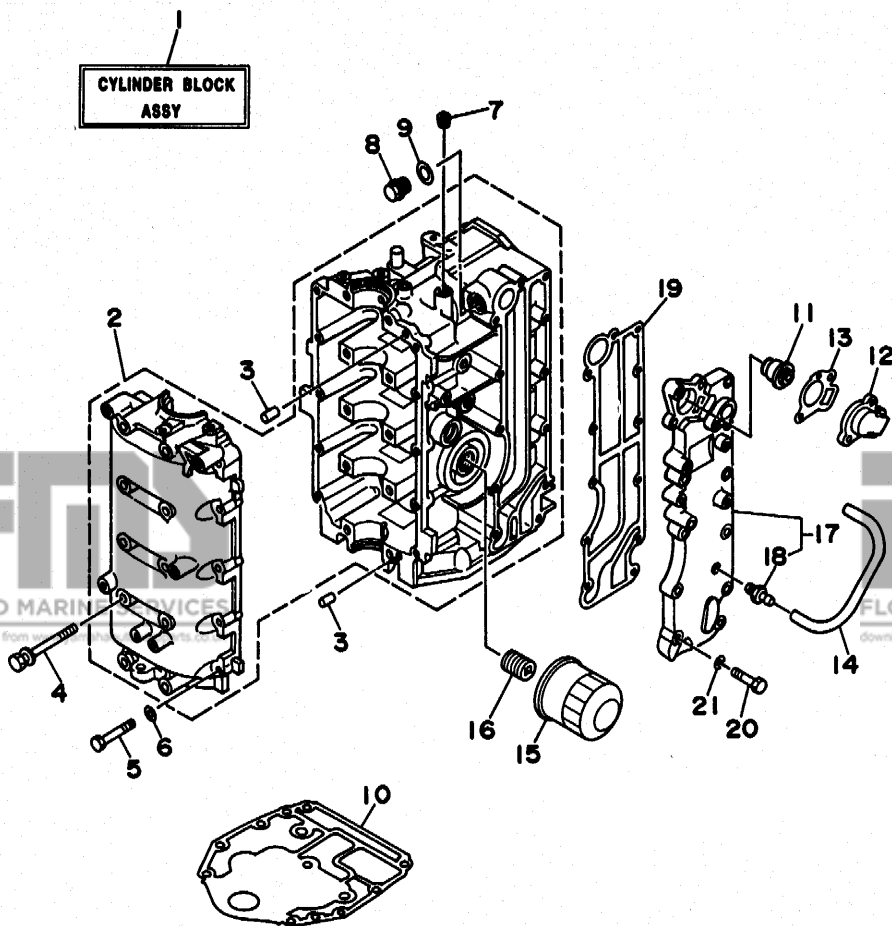
| | | |
|-----------------|---|--------|
| FIG. 22 | GENERATRICE | A6 |
| FIG. 23 | DEMARREUR ELECTRIQUE | A7 |
| FIG. 24 | PARTIE ELECTRIQUE 1 | B1 |
| FIG. 25 | PARTIE ELECTRIQUE 2 | B2, B3 |
| FIG. 26 | OPTIONNELLES 1 (FIXATIONS DE DIRECTION) | B4 |
| FIG. 27 | KITS DE REPARATION 1 | B5 |
| FIG. 28 | KITS DE REPARATION 2 | B6 |
| FIG. 29 | KITS DE REPARATION 3 (F50A/F45A) | B7, C1 |
| FIG. 30 | KITS DE REPARATION 4 (F50B) | C2, C3 |
| INDEX NUMERIQUE | | |

5N0110-012B

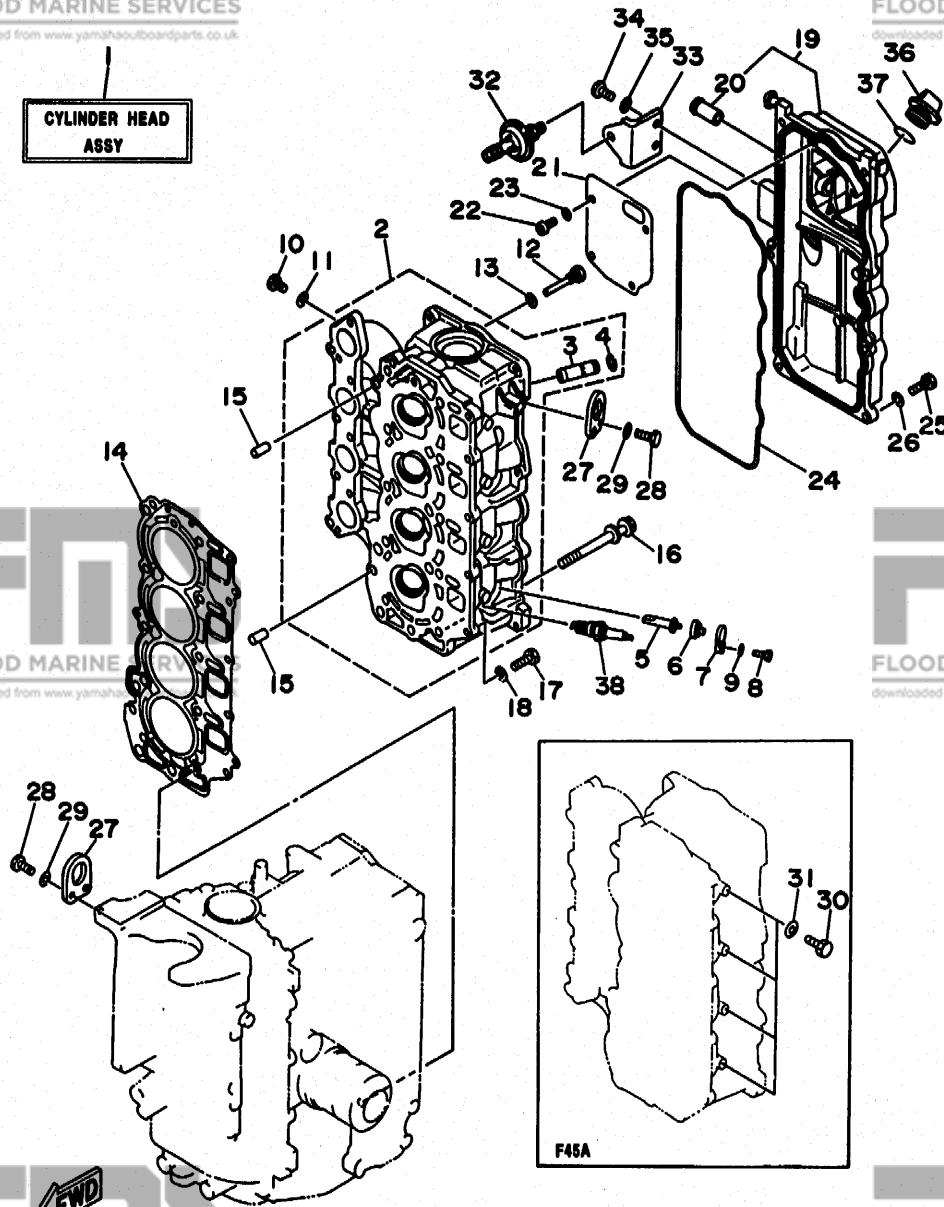
N/A, Name

FIG. 1 CYLINDER. CRANKCASE 1 CYLINDRE. CARTER 1

| REF. NO. | PART NO. NO. PIECES | DESCRIPTION DESCRIPTION | Q'TY QTE | REMARKS REMARQUES |
|----------|---------------------|--|----------|-------------------|
| 1 | 62Y-W009B-00-4D | CYLINDER BLOCK ASSY CYLINDER GROUPE (ENS.) (REF.NO. 2 ~ 13, 15 ~ 21, FIG. 3, REF.NO. 1 ~ 11, FIG. 8, REF.NO. 13 ~ 16 FIG. 23, REF.NO. 12) | 1 | |
| 2 | 62Y-15100-00-94 | CRANKCASE ASSY CARTER DE MOTEUR COMPLET | 1 | |
| 3 | 99530-08012 | PIN, DOWEL GOUJON, D'ASSEMBLAGE | 2 | |
| 4 | 90119-08M01 | BOLT, WITH WASHER BOULON, AVEC RONDELLE | 10 | |
| 5 | 97014-06035 | BOLT BOULON | 10 | |
| 6 | 92990-06600 | WASHER, PLATE RONDELLE, PLATE | 10 | |
| 7 | 90344-51M01 | PLUG, TAPER SCREW PLOT, FILETE CONIQUE | 1 | |
| 8 | 90340-14M06 | PLUG, STRAIGHT SCREW PLOT, FILETE DROIT | 1 | |
| 9 | 90430-14115 | GASKET JOINT | 1 | |
| 10 | 62Y-11351-00 | GASKET, CYLINDER JOINT, D'EMBASE | 1 | |
| 11 | 6G8-12411-02 | THERMOSTAT THERMOSTAT | 1 | |
| 12 | 6H3-12413-00-9M | COVER, THERMOSTAT COUVERCLE, THERMOSTAT | 1 | |
| 13 | 62Y-12414-00 | GASKET, COVER JOINT, COUVERCLE | 1 | |
| 14 | 90445-09252 | HOSE DURITE | 1 | |
| 15 | 3FV-13440-00 | ELEMENT ASSY, OIL CLEANER ELEMENT, FILTRE A HUILE | 1 | |
| 16 | 90401-20M00 | BOLT, UNION BOULON, RACCORD | 1 | |
| 17 | 62Y-41113-00-9M | OUTER COVER, EXHAUST COUVERCLE, ECHAPPEMENT | 1 | |
| 18 | 62Y-12481-00 | .PIPE 1 .DURITE 1 | 1 | |
| 19 | 62Y-41114-00 | GASKET, EXHAUST OUTER COVER JOINT, COUVERCLE D'ECHAPPEMENT | 1 | |
| 20 | 97014-06035 | BOLT BOULON | 12 | |
| 21 | 92990-06600 | WASHER, PLATE RONDELLE, PLATE | 12 | |



CYLINDER HEAD ASSY



62YNV-5020

FIG. 2 CYLINDER. CRANKCASE 2

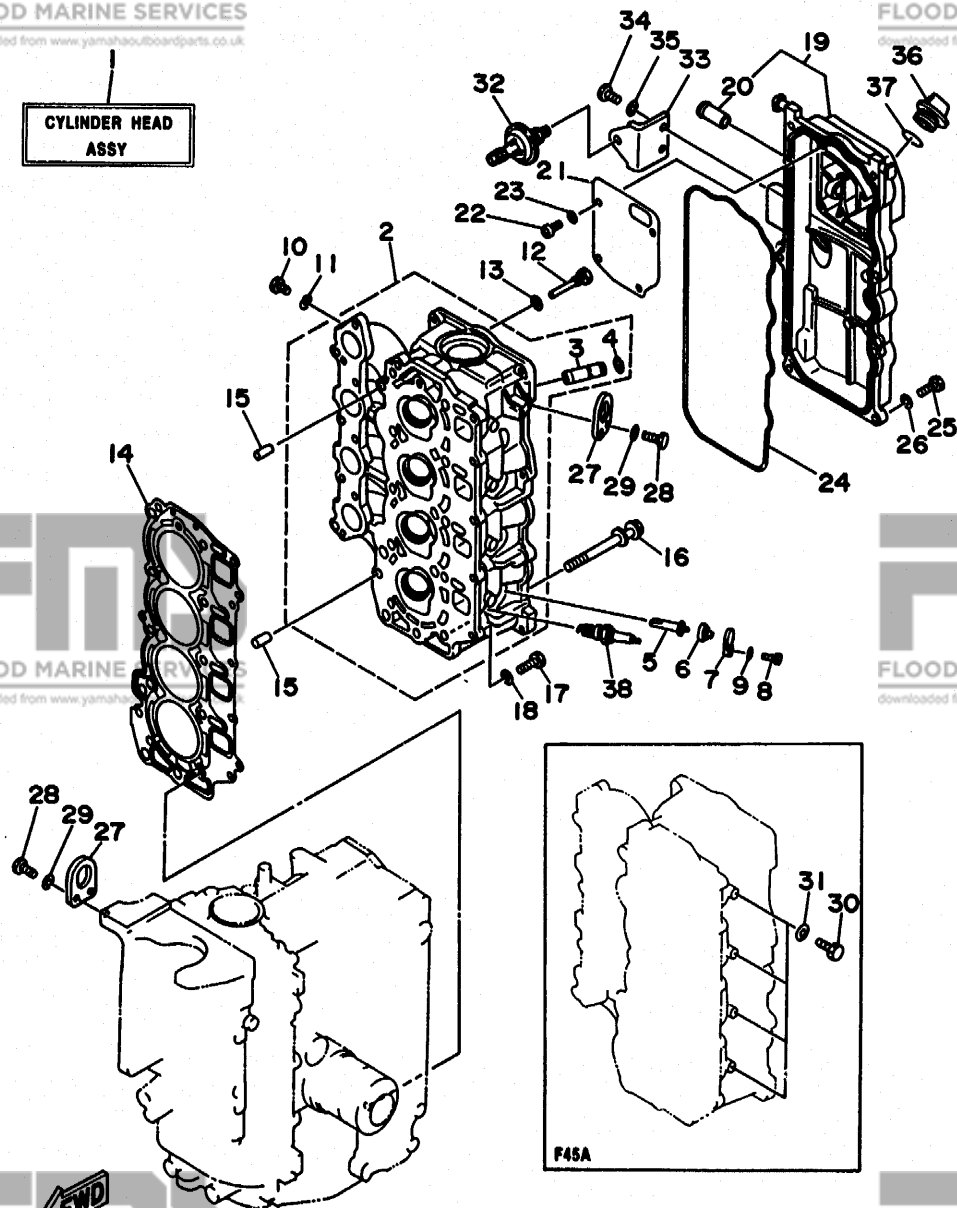
CYLINDRE. CARTER 2

| REF. NO. | PART NO. NO. PIECES | DESCRIPTION DESCRIPTION | Q'TY QTE | REMARKS REMARQUES |
|----------|---------------------|--|----------|-------------------|
| 1 | 62Y-W009A-00-4D | CYLINDER HEAD ASSY CULASSE (ENS.) (REF.NO. 2 ~ 26, 36, 37, FIG. 4, REF.NO. 1 ~ 15, FIG. 8, REF.NO. 1 ~ 6, 17, 21, 22) | 1 | UR |
| | 62Y-W009A-10-4D | CYLINDER HEAD ASSY CULASSE (ENS.) (REF.NO. 2 ~ 26, 36, 37, FIG. 4, REF.NO. 1 ~ 15, FIG. 8, REF.NO. 1 ~ 6, 17, 21, 22) | 1 | UR F45A |
| 2 | 62Y-11111-00-94 | HEAD, CYLINDER 1 CULASSE | 1 | UR |
| | 62Y-11111-10-94 | HEAD, CYLINDER 1 CULASSE | 1 | UR F45A |
| 3 | 62Y-11133-10 | .GUIDE, INTAKE VALVE .GUIDE, SOUP D'ADM | 8 | |
| 4 | 93450-09M01 | .CIRCLIP .CIRCLIP | 8 | |
| 5 | 6J8-11325-00 | ANODE ANODE | 4 | |
| 6 | 62Y-11328-00 | GROMMET, ANODE PASSE-FIL | 4 | |
| 7 | 6H3-11327-00-94 | COVER, ANODE COUVERCLE | 4 | |
| 8 | 97013-06020 | BOLT BOULON | 4 | |
| 9 | 92990-06600 | WASHER, PLATE RONDELLE, PLATE | 4 | |
| 10 | 97095-06010 | BOLT BOULON | 4 | |
| 11 | 90430-06014 | GASKET JOINT | 4 | |
| 12 | 90109-06M65 | BOLT BOULON | 1 | |
| 13 | 90430-06014 | GASKET JOINT | 1 | |
| 14 | 62Y-11181-00 | GASKET, CYLINDER HEAD 1 JOINT, DE CULASSE 1 | 1 | |
| 15 | 99530-08012 | PIN, DOWEL GOUJON, D'ASSEMBLAGE | 2 | |
| 16 | 90119-09M00 | BOLT, WITH WASHER BOULON, AVEC RONDELLE | 10 | |
| 17 | 97013-06025 | BOLT BOULON | 5 | |
| 18 | 92990-06600 | WASHER, PLATE RONDELLE, PLATE | 5 | |
| 19 | 62Y-11191-00-9M | COVER, CYLINDER HEAD 1 COUVERCLE, CULASSE 1 | 1 | |
| 20 | 62Y-14485-00 | .PIPE, JOINT .DURITE | 1 | |
| 21 | 62Y-11168-00 | COVER, BREATHER COUVERCLE, RENIFLARD | 1 | |
| 22 | 98507-04010 | SCREW, PAN HEAD VIS, TETE TRONCONIQUE | 4 | |

FIG. 2 CYLINDER. CRANKCASE 2

CYLINDRE. CARTER 2

CYLINDER HEAD
ASSY



| REF. NO. | PART NO. NO. PIECES | DESCRIPTION DESCRIPTION | Q'TY QTE | REMARKS REMARQUES |
|----------|---------------------|---|----------|-------------------|
| 23 | 92907-04600 | WASHER RONDELLE | 4 | |
| 24 | 62Y-11356-00 | SEAL, CYLINDER 2 JOINT, SPY CYLINDRE | 1 | |
| 25 | 97013-06020 | BOLT BOULON | 7 | |
| 26 | 92990-06600 | WASHER, PLATE RONDELLE, PLATE | 7 | |
| 27 | 62Y-11119-00 | HANGER, ENGINE ANNEAU, LEVAGE | 2 | |
| 28 | 97095-06020 | BOLT BOULON | 4 | |
| 29 | 92990-06600 | WASHER, PLATE RONDELLE, PLATE | 4 | |
| 30 | 97095-08014 | BOLT BOULON | 4 | F45A |
| 31 | 90430-08143 | GASKET JOINT | 4 | F45A |
| 32 | 62Y-14368-01 | DIAPHRAGM ASSY 1 DIAPHRAGME 1 | 1 | |
| 33 | 62Y-14413-00 | STAY SUPPORT | 1 | |
| 34 | 97095-06016 | BOLT BOULON | 2 | |
| 35 | 92990-06600 | WASHER, PLATE RONDELLE, PLATE | 2 | |
| 36 | 6G8-15363-00 | PLUG, OIL PLOT, HUILE | 1 | |
| 37 | 93210-25070 | O-RING JOINT TORIQUE | 1 | |
| 38 | 94701-00375 | PLUG, SPARK (NGK DPR6EA-9) BOUGIE D'ALLUMAGE (NGK DPR6EA-9) | 4 | |

FWD
62YNV-5020

B1

62Y-11603

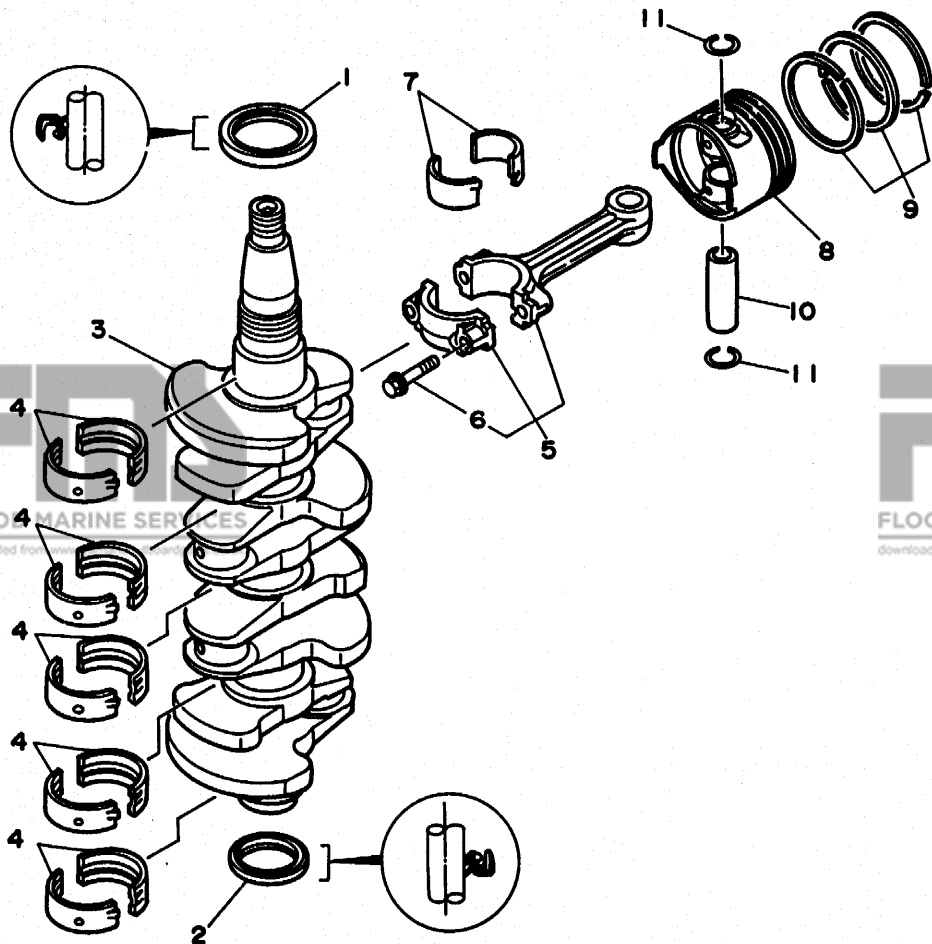


FIG. 3 CRANKSHAFT. PISTON

VILEBREQUIN. PISTON

| REF. NO. | PART NO. NO. PIECES | DESCRIPTION DESCRIPTION | Q'TY QTE | REMARKS REMARQUES |
|----------|---------------------|--|----------|-------------------|
| 1 | 93102-43M42 | OIL SEAL JOINT SPY | 1 | |
| 2 | 93102-35M41 | OIL SEAL JOINT SPY | 1 | |
| 3 | 62Y-11411-00 | CRANKSHAFT | 1 | |
| 4 | 62Y-11416-00 | VILEBREQUIN COMPLET PLANE BEARING, CRANKSHAFT 1 COUSSINET DE VILEBREQUIN | 10 | UR BROWN |
| | 62Y-11416-10 | PLANE BEARING, CRANKSHAFT 1 COUSSINET DE VILEBREQUIN | 10 | UR BLACK |
| | 62Y-11416-20 | PLANE BEARING, CRANKSHAFT 1 COUSSINET DE VILEBREQUIN | 10 | UR BLUE |
| 5 | 62Y-11650-00 | CONNECTING ROD ASSY BIELLE COMPLETE | 4 | |
| 6 | 62Y-11654-00 | .BOLT, CONNECTING ROD .BOULON, BIELLE | 2 | |
| 7 | 62Y-11656-00 | PLANE BEARING, CONNECTING ROD ROULEMENT DE BIELLE | 8 | UR BROWN |
| | 62Y-11656-10 | PLANE BEARING, CONNECTING ROD ROULEMENT DE BIELLE | 8 | UR BLACK |
| | 62Y-11656-20 | PLANE BEARING, CONNECTING ROD ROULEMENT DE BIELLE | 8 | UR BLUE |
| 8 | 62Y-11631-00-96 | PISTON (STD) PISTON (STD) | 4 | |
| | 62Y-11635-00 | PISTON (0.25MM O/S) | 4 | AP |
| | 62Y-11636-00 | PISTON (0.25MM O/S) PISTON (0.50MM O/S) | 4 | AP |
| 9 | 62Y-11603-00 | PISTON RING SET (STD) JUE DE SEGMENTS (STD) | 4 | |
| | 62Y-11604-00 | PISTON RING SET (0.25MM O/S) JUE DE SEGMENTS (0.25MM O/S) | 4 | AP |
| | 62Y-11605-00 | PISTON RING SET (0.50MM O/S) JUE DE SEGMENTS (0.50MM O/S) | 4 | AP |
| 10 | 62Y-11633-00 | PIN, PISTON AXE, PISTON | 4 | |
| 11 | 93450-17129 | CIRCLIP CIRCLIP | 8 | |

1771, Norme

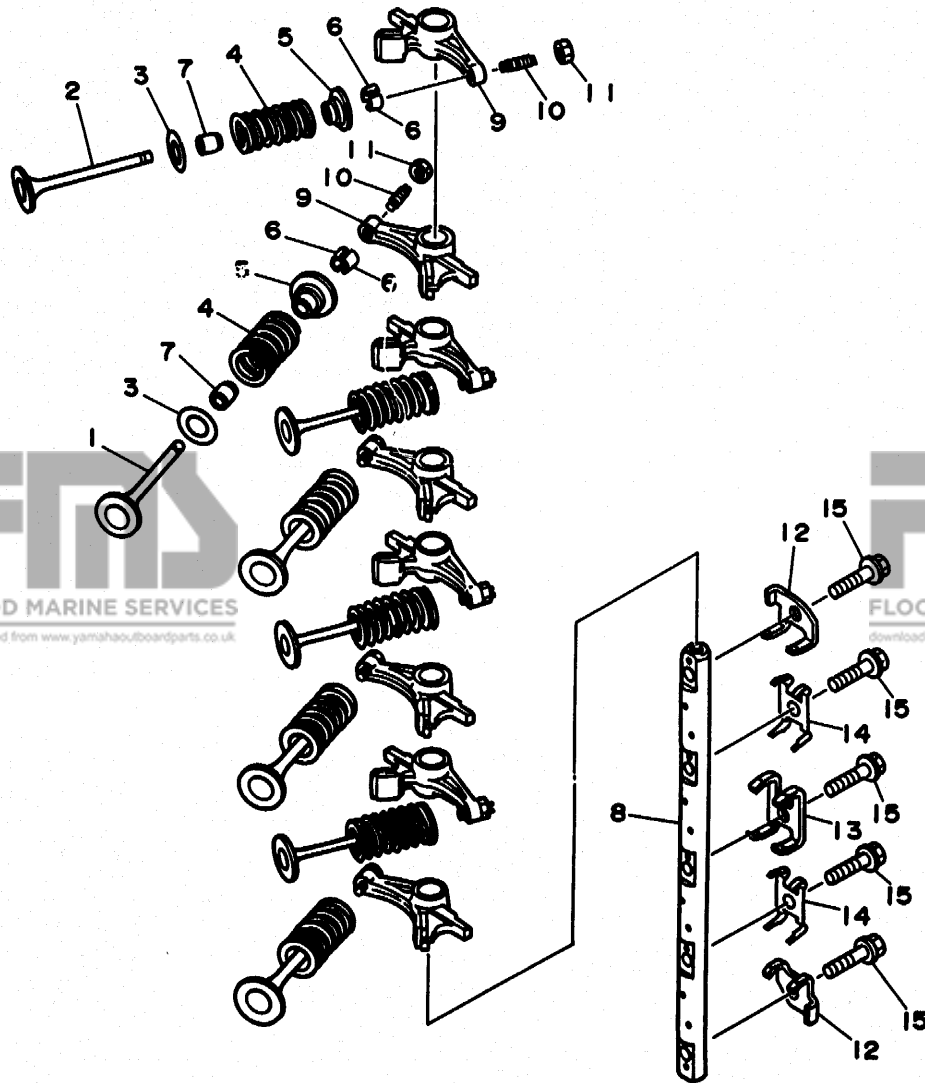


FIG. 4 VALVE

SOUPAPE

| REF. NO. | PART NO. NO. PIECES | DESCRIPTION DESCRIPTION | Q'TY QTE | REMARKS REMARQUES |
|----------|---------------------|---|----------|-------------------|
| 1 | 62Y-12111-00 | VALVE, INTAKE SOUPAPE, ADMISSION | 4 | |
| 2 | 62Y-12121-00 | VALVE, EXHAUST SOUPAPE, ECHAPPEMENT | 4 | |
| 3 | 62Y-12116-00 | SEAT, VALVE SPRING SIEGE, RESSORT DE SOUPAPE | 8 | |
| 4 | 51Y-12114-00 | SPRING, VALVE OUTER RESSORT DE SOUPAPE, EXTERNE | 8 | |
| 5 | 30X-12117-00 | RETAINER, VALVE SPRING BUTEE DE RESSORT DE SOUPAPA | 8 | |
| 6 | 30X-12118-00 | COTTER, VALVE FRAISE, SOUPAPE | 16 | |
| 7 | 51Y-12119-00 | SEAL, VALVE STEM JOINT, QUEUE DE SOUPAPE | 8 | |
| 8 | 62Y-12146-00 | SHAFT, ROCKER AXE, CULBUTEUR | 1 | |
| 9 | 62Y-12151-00 | ARM, VALVE ROCKER CULBUTEUR | 8 | |
| 10 | 62Y-12159-00 | SCREW, VALVE ADJUSTING VIS, REGLAGE DE SOUPAPE | 8 | |
| 11 | 62Y-12158-00 | NUT, LOCK CONTRE-ECROU | 8 | |
| 12 | 62Y-12238-00 | PLATE, BOLT STOPPER PLAQUE, BUTEE DE BOULON | 2 | |
| 13 | 62Y-12279-00 | PLATE PLAQUE | 1 | |
| 14 | 62Y-12216-00 | SPRING RESSORT | 2 | |
| 15 | 90109-08M63 | BOLT BOULON | 5 | |

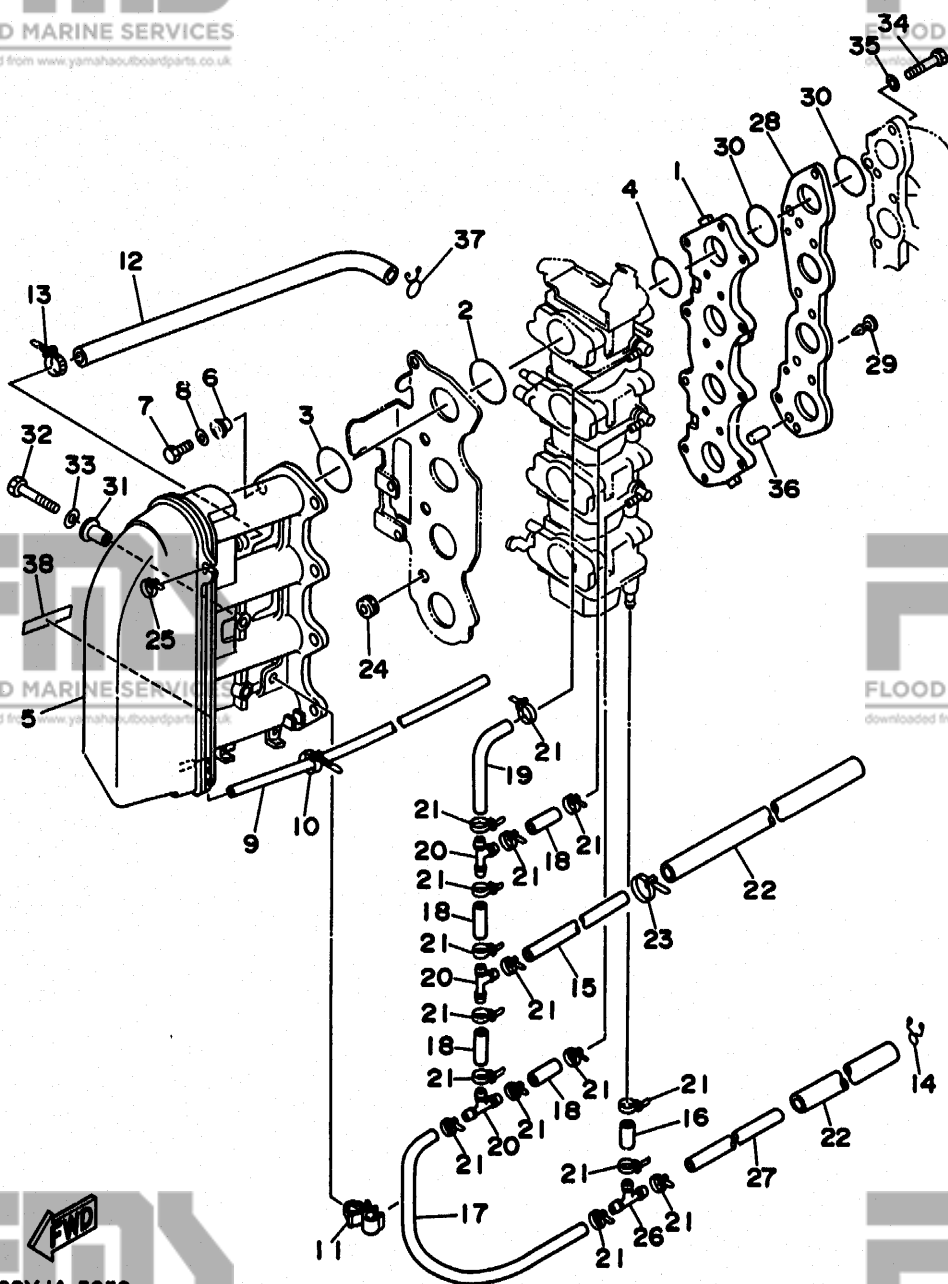


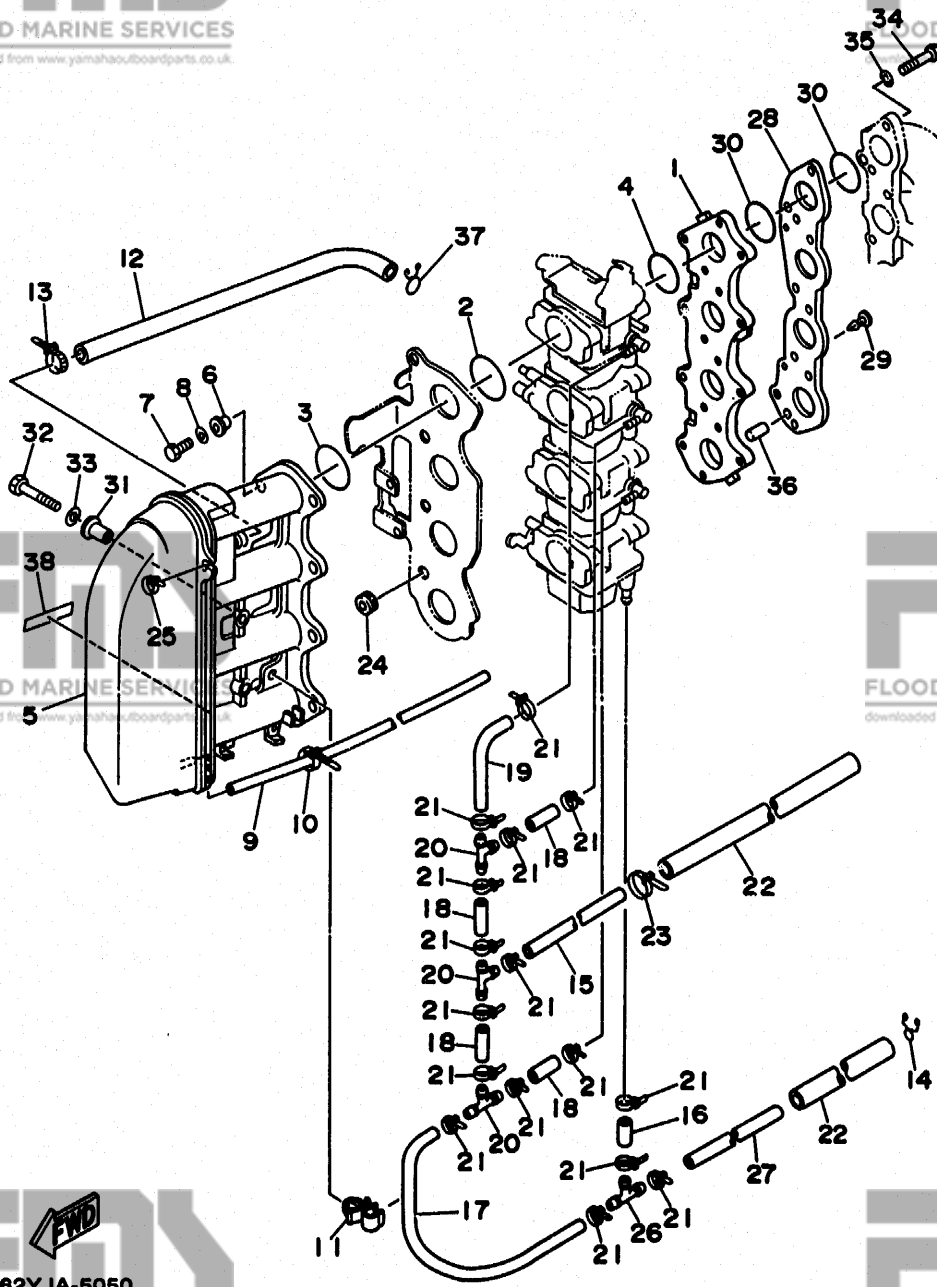
FIG. 5 INTAKE ADMISSION

| REF. NO. | PART NO. NO. PIECES | DESCRIPTION DESCRIPTION | Q'TY QTE | REMARKS REMARQUES |
|----------|---------------------|---|----------|-------------------|
| 1 | 62Y-13586-00-94 | JOINT, CARBURETOR 1 RACCORD, CARBURATEUR 1 | 1 | |
| 2 | 93210-35M86 | O-RING | 4 | |
| 3 | 93210-38MH3 | JOINT TORIQUE O-RING | 4 | |
| 4 | 93210-30MH4 | JOINT TORIQUE O-RING | 4 | |
| 5 | 62Y-14440-00 | JOINT TORIQUE SILENCER ASSY, INTAKE SIENCIEUX D'ADMISSION | 1 | |
| 6 | 90387-06M70 | COLLAR COLLERETTE | 8 | |
| 7 | 97095-06090 | BOLT BOULON | 8 | |
| 8 | 92990-06600 | WASHER, PLATE RONDELLE, PLATE | 8 | |
| 9 | 90445-07M38 | HOSE DURITE | 1 | |
| 10 | 90465-11M10 | CLAMP BRIDE | 1 | |
| 11 | 90464-10M32 | CLAMP BRIDE | 1 | |
| 12 | 62Y-15373-00 | PIPE, BREATHER DURITE DE RENIFLARD | 1 | |
| 13 | 90465-13M36 | CLAMP BRIDE | 1 | |
| 14 | 90467-10M04 | CLIP JONC | 1 | |
| 15 | 90445-10M33 | HOSE DURITE | 1 | |
| 16 | 90445-10M85 | HOSE DURITE | 1 | |
| 17 | 62Y-24311-00 | PIPE, FUEL 1 DURITE A ESSENCE | 1 | |
| 18 | 90445-10M14 | HOSE DURITE | 4 | |
| 19 | 62Y-24313-00 | PIPE 3 DURITE 3 | 1 | |
| 20 | 688-24378-00 | PIPE, JOINT 4 DURITE RACCORDEMENT 4 | 3 | |
| 21 | 90465-11M10 | CLAMP BRIDE | 16 | |
| 22 | 90445-16M00 | HOSE DURITE | 2 | |
| 23 | 90465-11M10 | CLAMP BRIDE | 1 | |
| 24 | 90480-11224 | GROMMET PASSE-FIL | 4 | |
| 25 | 90465-11M10 | CLAMP BRIDE | 1 | |
| 26 | 62Y-24378-00 | PIPE, JOINT 4 DURITE RACCORDEMENT 4 | 1 | |
| 27 | 90445-10M18 | HOSE DURITE | 1 | |
| 28 | 62Y-14271-00 | INSULATOR ISOLATEUR | 1 | |

FIG. 5 INTAKE

ADMISSION

| REF. NO. | PART NO. NO. PIECES | DESCRIPTION DESCRIPTION | Q'TY QTE | REMARKS REMARQUES |
|----------|---------------------|---------------------------------------|----------|-------------------|
| 29 | 90338-04M17 | PLUG PLOT | 2 | |
| 30 | 93210-35M86 | O-RING JOINT TORIQUE | 8 | |
| 31 | 90387-06M15 | COLLAR COLLERETTE | 2 | |
| 32 | 97095-06030 | BOLT BOULON | 2 | |
| 33 | 92990-06600 | WASHER, PLATE RONDELLE, PLATE | 2 | |
| 34 | 97095-06025 | BOLT BOULON | 8 | |
| 35 | 92990-06600 | WASHER, PLATE RONDELLE, PLATE | 8 | |
| 36 | 93608-16M16 | PIN, DOWEL AXE | 2 | |
| 37 | 90467-15M14 | CLIP JONC | 1 | |
| 38 | 6E0-44191-11 | INDICATOR, SHIFT ETIQUETTE, EMBRAYAGE | 1 | FOR JAPAN |



B5

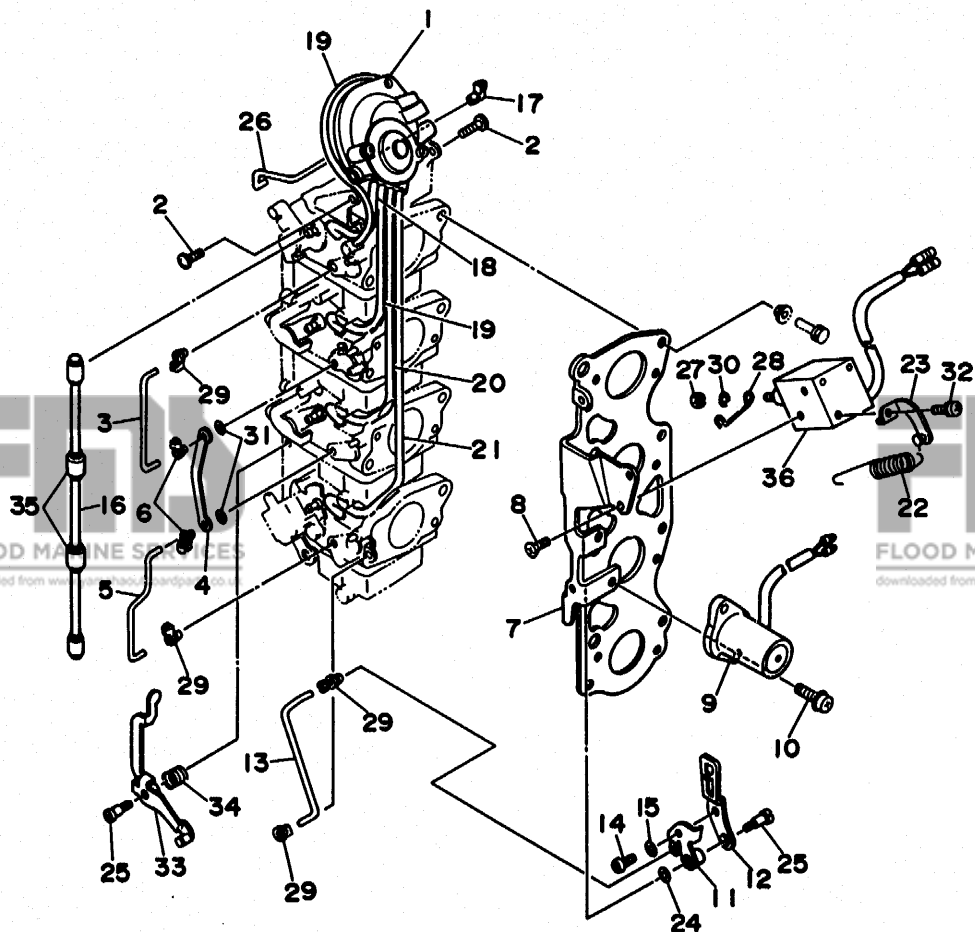


FIG. 6 CARBURETOR LINK

BIELLETTTE CARBURATEUR

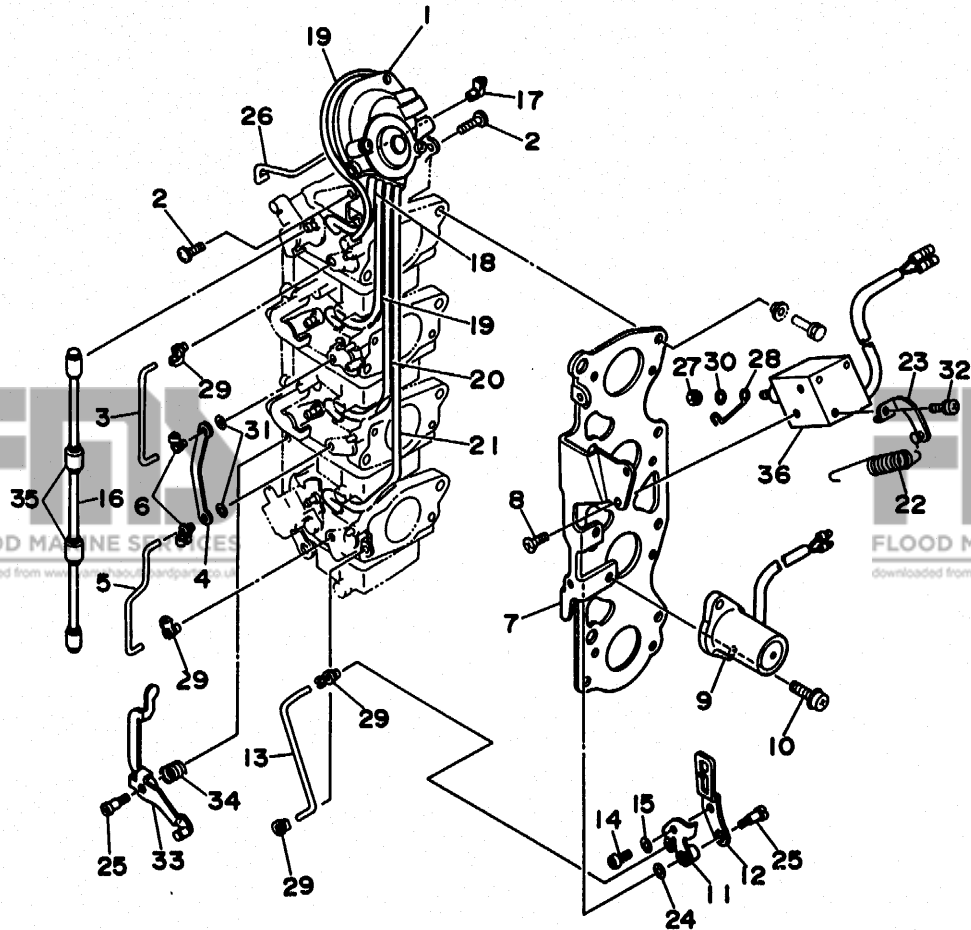
| REF. NO. | PART NO. NO. PIECES | DESCRIPTION DESCRIPTION | Q'TY QTE | REMARKS REMARQUES |
|----------|---------------------|--|----------|-------------------|
| 1 | 62Y-14369-00 | DIAPHRAGM ASSY 2 DIAPHRAGME 2 | 1 | |
| 2 | 97890-05006 | SCREW, PAN HEAD VIS, CRUCIFORME | 3 | |
| 3 | 62Y-14585-00 | ROD, CHOKE TRINGLE, STARTER | 1 | |
| 4 | 62Y-14585-10 | ROD, CHOKE TRINGLE, STARTER | 1 | |
| 5 | 62Y-14585-20 | ROD, CHOKE TRINGLE, STARTER | 1 | |
| 6 | 6F5-41262-01 | JOINT, THROTTLE LEVER AXE | 2 | |
| 7 | 62Y-14291-00 | BRACKET 1 SUPPORT 1 | 1 | |
| 8 | 62Y-14592-00 | SCREW VIS | 2 | |
| 9 | 62Y-14380-00 | PRIME STARTER ASSY DEMARREUR D'AMARCAGE ENS. | 1 | |
| 10 | 62Y-14429-00 | SCREW VIS | 2 | |
| 11 | 62Y-14175-00 | LEVER, STARTER 1 LEVIER, STARTER 1 | 1 | |
| 12 | 62Y-14175-10 | LEVER, STARTER 1 LEVIER, STARTER 1 | 1 | |
| 13 | 62Y-14585-30 | ROD, CHOKE TRINGLE, STARTER | 1 | |
| 14 | 62Y-14567-00 | SCREW VIS | 1 | |
| 15 | 92990-05600 | WASHER, PLATE RONDELLE, PLATE | 1 | |
| 16 | 62Y-14585-40 | ROD, CHOKE TRINGLE, STARTER | 1 | |
| 17 | 62Y-41262-00 | JOINT, CHOKE LEVER RACCORD, LEVIER DE STARTER | 1 | |
| 18 | 62Y-14349-10 | PIPE DURITE | 1 | |
| 19 | 62Y-14349-20 | PIPE DURITE | 2 | |
| 20 | 62Y-14349-00 | PIPE DURITE | 1 | |
| 21 | 62Y-14349-30 | PIPE DURITE | 1 | |
| 22 | 62Y-14487-00 | SPRING RESSORT | 1 | |
| 23 | 62Y-14255-00 | PLATE PLAQUE | 1 | |
| 24 | 92990-04600 | WASHER, PLATE RONDELLE, PLATE | 1 | |
| 25 | 62Y-14429-10 | SCREW VIS | 2 | |
| 26 | 62Y-14585-50 | ROD, CHOKE TRINGLE, STARTER | 1 | |
| 27 | 62Y-14258-00 | NUT, LOCK CONTRE-ECROU | 1 | |
| 28 | 62Y-1212A-00 | WIRE PULL FIL | 1 | |

Name _____

FIG. 6 CARBURETOR LINK

BIELLETTE CARBURATEUR

| REF. NO. | PART NO. NO. PIECES | DESCRIPTION DESCRIPTION | Q'TY QTE | REMARKS REMARQUES |
|----------|---------------------|---|----------|-------------------|
| 29 | 6F5-41262-01 | JOINT, THROTTLE LEVER AXE | 4 | |
| 30 | 62Y-14475-10 | WASHER RONDELLE | 1 | |
| 31 | 62Y-14596-00 | WASHER RONDELLE | 2 | |
| 32 | 97980-04108 | SCREW, WITH WASHER VIS, AVEC RONDELLE | 1 | |
| 33 | 62Y-14360-00 | THROTTLE DAMPER ASSY AMORISSEUR D'ACCELERATEUR | 1 | |
| 34 | 62Y-14555-00 | SPRING RESSORT | 1 | |
| 35 | 62Y-14578-00 | COLLAR COLLERETTE | 2 | |
| 36 | 6E9-86111-01 | COIL, SOLENOID BOBINE | 1 | |



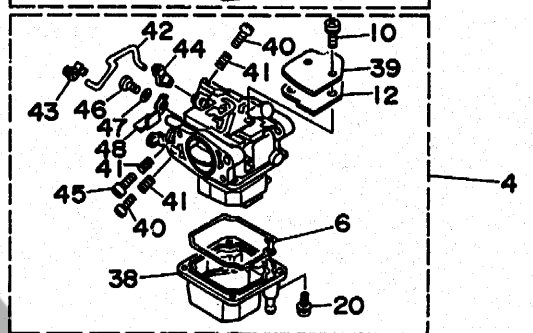
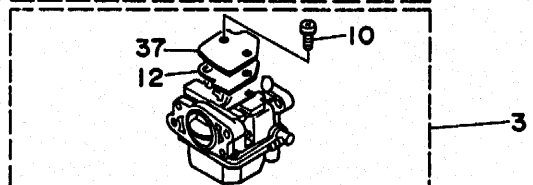
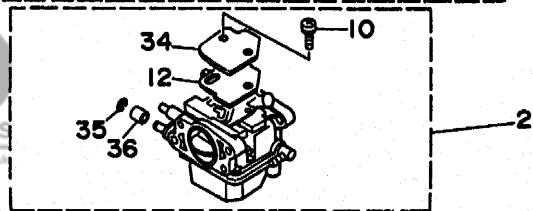
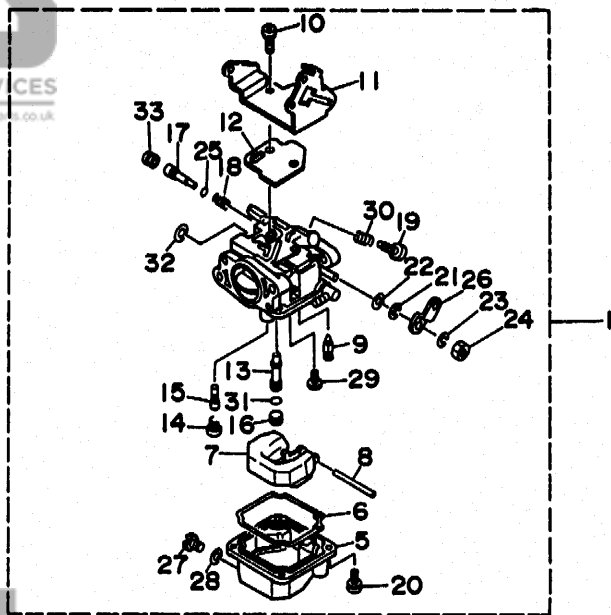


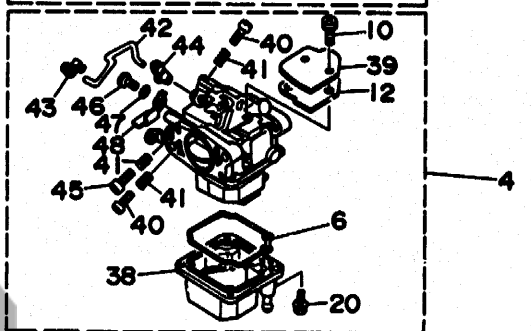
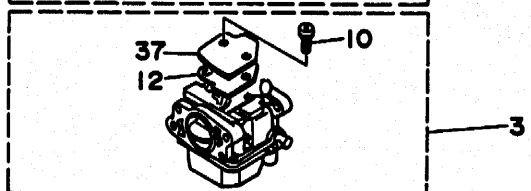
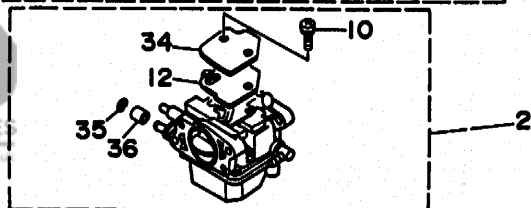
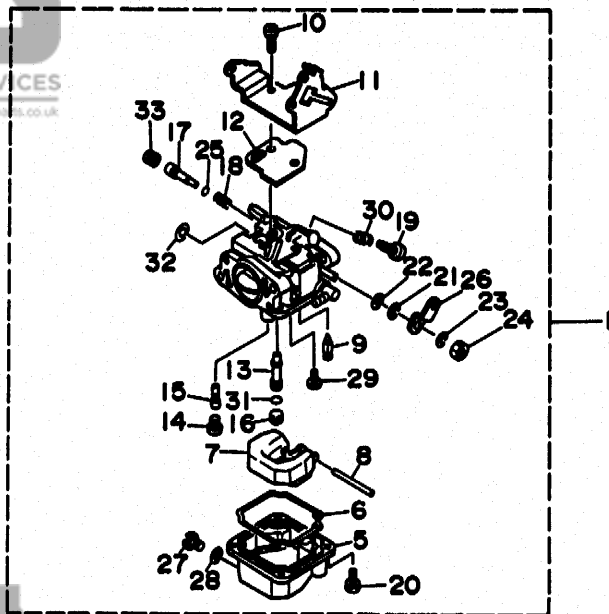
FIG. 7 CARBURETOR

CARBURATEUR

| REF. NO. | PART NO. NO. PIECES | DESCRIPTION DESCRIPTION | Q'TY QTE | REMARKS REMARQUES |
|----------|---------------------|--|----------|-------------------|
| 21 | 93430-04301 | .CIRCLIP | 4 | |
| 22 | 62Y-14475-00 | .CLIPS | 4 | |
| 23 | 6A1-14356-00 | .WASHER .RONDELLE | 1 #1 | |
| 24 | 654-14363-01 | .WASHER, SPRING .RONDELLE | 1 #1 | |
| 25 | 5H0-14397-00 | .NUT .ECROU | 1 #1 | |
| 26 | 62Y-14276-00 | .O-RING .JOINT TORIQUE | 4 | |
| 27 | 62Y-14383-00 | .LEVER .LEVIER | 1 #1 | |
| 28 | 62Y-14398-00 | .SCREW, DRAIN .BOUCHON, PURGE | 4 | |
| 29 | 98980-04006 | .GASKET .JOINT | 4 | |
| 30 | 646-14212-01 | .SCREW, BIND .VIS | 4 | |
| 31 | 6F5-14397-00 | .SPRING, PILOT ADJUSTING .RESSORT, VIS DE RALENTI | 3 #1,2,3 | |
| 32 | 6L2-14357-00 | .O-RING .JOINT TORIQUE | 4 | |
| 33 | 50M-14355-00 | .WASHER, PLAIN .RONDELLE PLATE | 3 #1,2,3 | |
| 34 | 6L2-14157-00 | .PLUG .PLOT | 4 | |
| 35 | 62Y-14159-00 | .COVER, MIXING .COUVERCLE DE CHAMBRE | 1 #2 | |
| 36 | 62Y-14267-00 | .CLIP .JONC | 1 #2 | |
| 37 | 6L2-14157-00 | .ROLLER .ROULEAU | 1 #2 | |
| 38 | 62Y-14381-10 | .COVER, MIXING .COUVERCLE DE CHAMBRE | 1 #3 | |
| 39 | 6L2-14157-00 | .BODY, FLOAT CHAMBER .CORPS, CUVE DE FLOTTEUR | 1 #4 | |
| 40 | 62Y-14321-00 | .SCREW, MIXING .COUVERCLE DE CHAMBRE | 1 #4 | |
| 41 | 646-14212-01 | .SCREW, THROTTLE .VIS, ACCELERATEUR | 2 #4 | |
| 42 | 62Y-14379-00 | .SPRING, PILOT ADJUSTING .RESSORT, VIS DE RALENTI | 3 #4 | |
| 43 | 6F5-41262-01 | .ROD, STARTER .TRINGLE, STARTER | 1 #4 | |
| 44 | 62Y-41262-00 | .JOINT, THROTTLE LEVER .AXE | 1 #4 | |
| 45 | 664-14321-01 | .JOINT, CHOKE LEVER .RACCORD, LEVIER DE STARTER | 1 #4 | |
| 46 | 664-14327-01 | .SCREW, THROTTLE .VIS, ACCELERATEUR | 1 #4 | |
| 47 | 62Y-14597-00 | .SCREW .VIS | 1 #4 | |
| 48 | 62Y-14573-00 | .WASHER .RONDELLE | 1 #4 | |
| | | .LEVER .LEVIER | 1 #4 | |



62YJA-5070



FWD
62YJA-5070

FIG. 7 CARBURETOR

CARBURETEUR

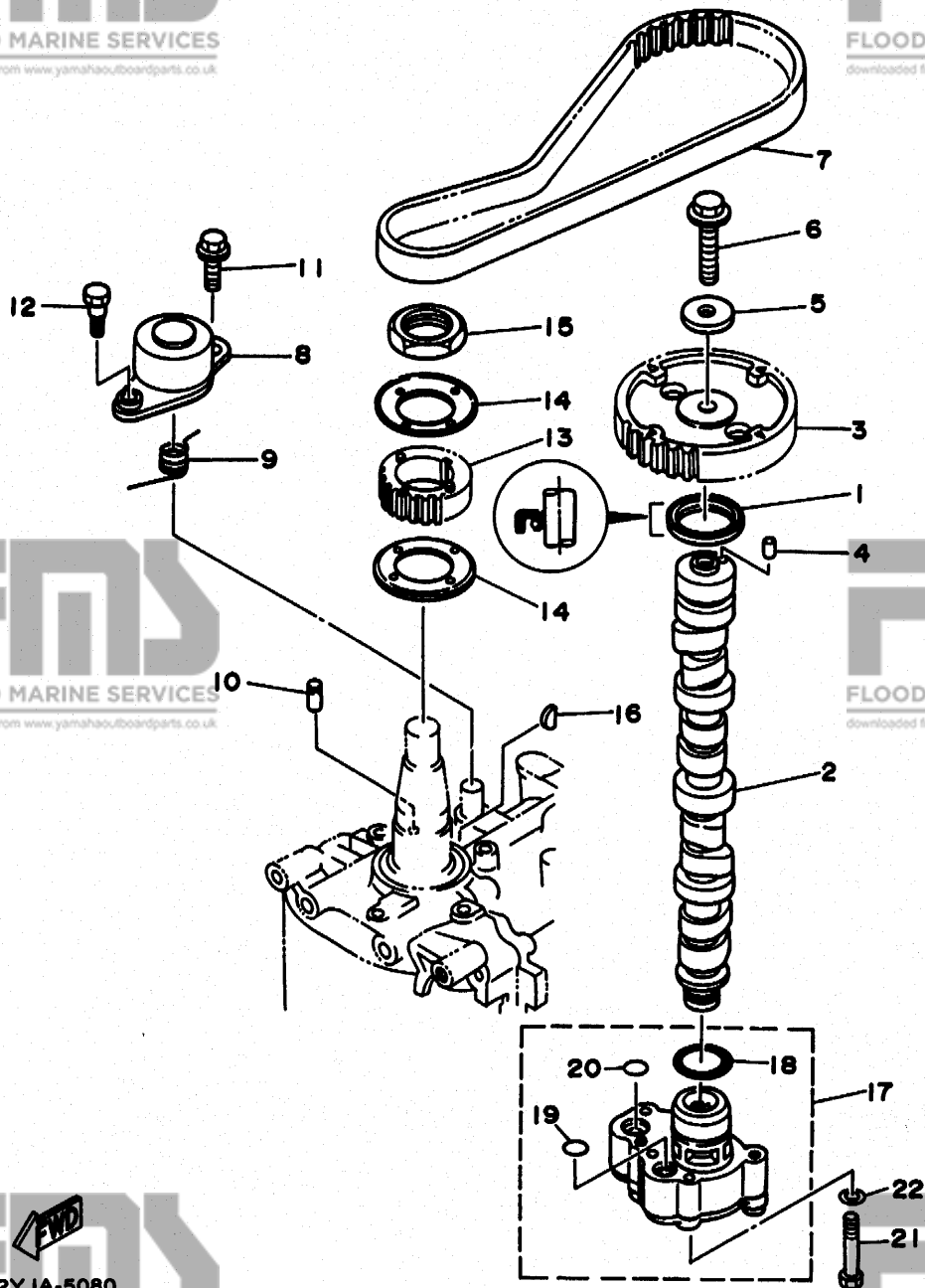
| REF. NO. | PART NO. NO. PIECES | DESCRIPTION DESCRIPTION | Q'TY QTE | REMARKS REMARQUES |
|----------|---------------------|-------------------------------|----------|-------------------|
| 1 | 62Y-14901-00 | CARBURETOR ASSY 1 | 1 | UR |
| | 62Y-14901-10 | CARBURETEUR 1 COMPLET | 1 | UR F45A |
| 2 | 62Y-14902-00 | CARBURETOR ASSY 2 | 1 | UR |
| | 62Y-14902-10 | CARBURETEUR 2 COMPLET | 1 | UR F45A |
| 3 | 62Y-14903-00 | CARBURETOR ASSY 3 | 1 | UR |
| | 62Y-14903-10 | CARBURETEUR 3 COMPLET | 1 | UR F45A |
| 4 | 62Y-14904-00 | CARBURETOR ASSY 4 | 1 | UR |
| | 62Y-14904-10 | CARBURETEUR 4 COMPLET | 1 | UR F45A |
| 5 | 62Y-14381-00 | .BODY, FLOAT CHAMBER | 3 | #1,2,3 |
| 6 | 6L2-14384-00 | .GASKET, FLOAT CHAMBER | 4 | |
| 7 | 6L2-14385-00 | .JOINT, CUVE DE FLOTTEUR | 4 | |
| 8 | 6E5-14386-01 | .FLOTTEUR | 4 | |
| 9 | 6L2-14392-00 | .PIN, FLOAT | 4 | |
| 10 | 97980-04110 | .AXE, FLOTTEUR | 4 | |
| 11 | 62Y-14157-00 | .VALVE, NEEDLE | 4 | |
| 12 | 62Y-14399-00 | .POINTEAU | 4 | |
| 13 | 62Y-14341-00 | .SCREW, WITH WASHER | 8 | |
| 14 | 62Y-14343-56 | .VIS, AVEC RONDELLE | 1 | #1 |
| 15 | 62Y-14342-21 | .COVER, MIXING | 1 | |
| 16 | 62Y-14355-00 | .COUVERCLE DE CHAMBRE | 4 | |
| 17 | 12V-14105-00 | .VALVE, BIMETAL | 4 | |
| 18 | 30X-14334-00 | .CLAPET, BILAME | 4 | UR |
| 19 | 62Y-14321-00 | .NOZZLE, MAIN | 4 | UR F45A |
| 20 | 97980-04112 | .PUITS D'AIGUILLE | 4 | |
| | | .NOZZLE, MAIN | 4 | UR F45A |
| | | .PUITS D'AIGUILLE | 4 | |
| | | .JET, MAIN (#112) | 4 | UR |
| | | .GICLEUR, PRINCIPAL (#112) | 2 | UR F45A #1,2 |
| | | .JET, MAIN (#104) | 2 | UR F45A #1,2 |
| | | .GICLEUR, PRINCIPAL (#104) | 2 | UR F45A #3,4 |
| | | .JET, MAIN (#103) | 2 | UR F45A #3,4 |
| | | .GICLEUR, PRINCIPAL (#103) | 2 | UR F45A #3,4 |
| | | .JET, PILOT (# 42) | 4 | |
| | | .GICLEUR, RALENTI (# 42) | 4 | |
| | | .NOZZLE, MAIN 2 | 4 | |
| | | .PUITS D'AIGUILLE | 4 | UR |
| | | .PILOT SCREW SET | 4 | UR |
| | | .JEU DE VIS DE RICHESSE | 4 | UR F45A |
| | | .SCREW, AIR ADJUSTING | 4 | UR F45A |
| | | .VIS DE DOSEUR D'AIR | 4 | |
| | | .SPRING, AIR ADJUSTING | 4 | |
| | | .RESSORT, VIS DE DOSEUR D'AIR | 4 | |
| | | .SCREW, THROTTLE | 3 | #1,2,3 |
| | | .VIS, ACCELERATEUR | 3 | #1,2,3 |
| | | .SCREW, WITH WASHER | 16 | |
| | | .VIS, AVEC RONDELLE | 16 | |

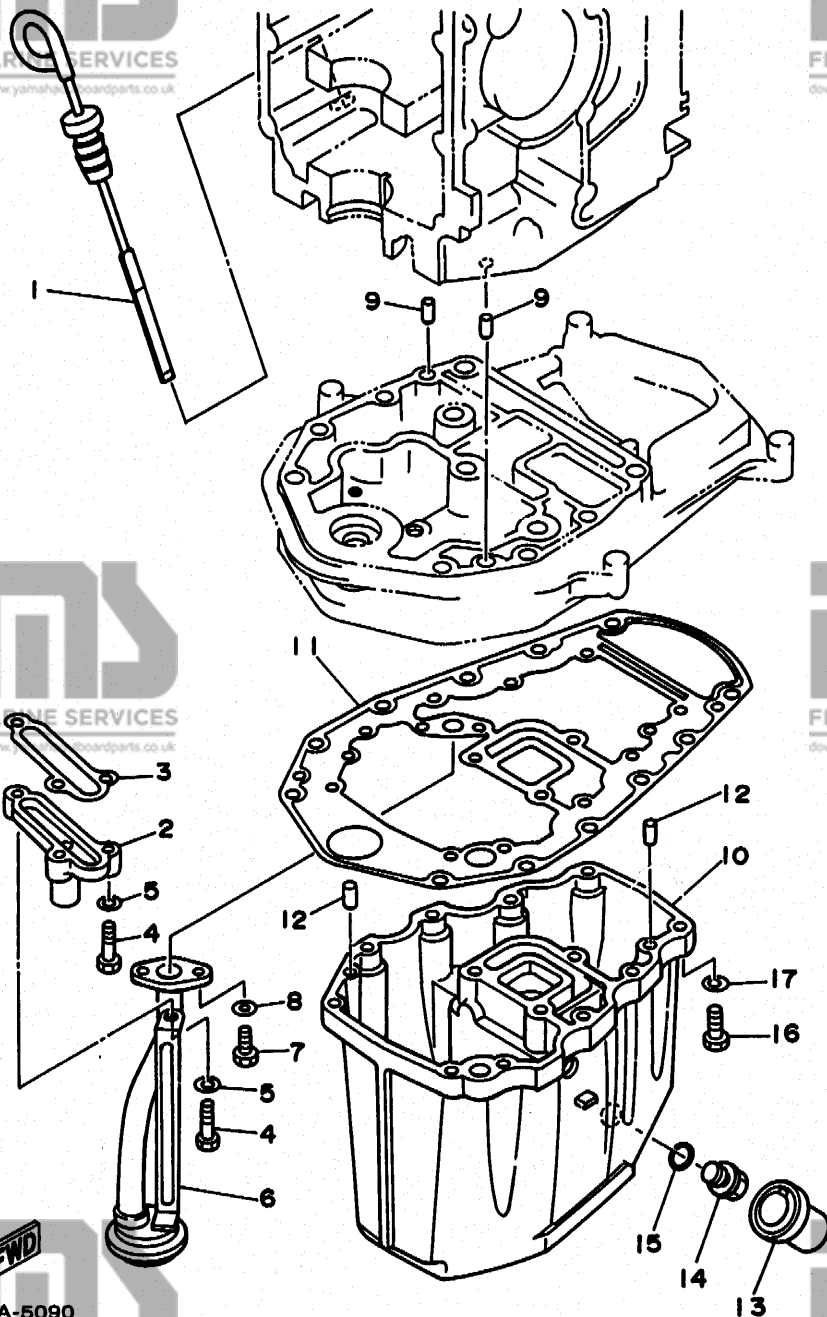
C1

FIG. 8 OIL PUMP

POMPE A HUILE

| REF. NO. | PART NO. NO. PIECES | DESCRIPTION DESCRIPTION | Q'TY QTE | REMARKS REMARQUES |
|----------|---------------------|-----------------------------------|----------|-------------------|
| 1 | 93102-37M40 | OIL SEAL | 1 | |
| 2 | 62Y-12171-00 | JOINT SPY CAMSHAFT 1 | 1 | |
| 3 | 62Y-11537-00 | ARBRE A CAMES 1 GEAR, DRIVEN | 1 | |
| 4 | 93605-14143 | PIGNON SECONDAIRE PIN, DOWEL | 1 | |
| 5 | 90201-10M06 | AXE WASHER, PLATE | 1 | |
| 6 | 95895-10040 | RONDELLE, PLATE BOLT, FLANGE | 1 | |
| 7 | 62Y-46241-00 | BOULON BELT | 1 | |
| 8 | 62Y-11590-00 | COURROIE TENSIONER ASSY | 1 | |
| 9 | 90508-23M36 | TENDEUR (ENS.) SPRING, TORSION | 1 | |
| 10 | 90249-07M29 | RESSORT, TORSION PIN | 1 | |
| 11 | 95895-08020 | GOUPILLE BOLT, FLANGE | 1 | |
| 12 | 90109-06M64 | BOULON BOLT | 1 | |
| 13 | 62Y-11536-00 | BOULON GEAR, DRIVE | 1 | |
| 14 | 62Y-11557-00 | PIGNON SECONDAIRE WASHER 1 | 2 | |
| 15 | 90170-35M32 | RONDELLE 1 NUT | 1 | |
| 16 | 90280-04M06 | ECROU KEY, WOODRUFF | 1 | |
| 17 | 62Y-13300-00 | CLAVETTE, DEMI-LUNE OIL PUMP ASSY | 1 | |
| 18 | 93210-33MH2 | POMPE A HUILE COMPLET .O-RING | 1 | |
| 19 | 93210-12MG9 | .JOINT TORIQUE .O-RING | 1 | |
| 20 | 93210-14515 | .JOINT TORIQUE .O-RING | 1 | |
| 21 | 97313-06040 | .JOINT TORIQUE BOLT | 4 | |
| 22 | 92990-06600 | BOULON WASHER, PLATE | 4 | |
| | | RONDELLE, PLATE | | |





62YJA-5090

FIG. 9 OIL PAN

VENTILATEUR D'HUILE

| REF. NO. | PART NO. NO. PIECES | DESCRIPTION DESCRIPTION | Q'TY QTE | REMARKS REMARQUES |
|----------|---------------------|--|----------|-------------------|
| 1 | 62Y-15362-00 | PLUG, OIL LEVEL PLOT, NIVEAU D'HUILE | 1 | |
| 2 | 62Y-11575-00 | RELIEF VALVE ASS'Y SOUPAPE DE RENTREE D'AIR | 1 | |
| 3 | 62Y-13475-00 | GASKET JOINT | 1 | |
| 4 | 97013-06025 | BOLT BOULON | 3 | |
| 5 | 92990-06600 | WASHER, PLATE RONDELLE, PLATE | 3 | |
| 6 | 62Y-13411-00 | STRAINER, OIL FILTRE, HUILE | 1 | |
| 7 | 97014-06016 | BOLT BOULON | 2 | |
| 8 | 92990-06600 | WASHER, PLATE RONDELLE, PLATE | 2 | |
| 9 | 93608-12M05 | PIN, DOWEL AXE | 2 | |
| 10 | 62Y-15311-00-5B | OIL PAN VENTILATEUR D'HUILE | 1 | |
| 11 | 62Y-15312-00 | GASKET, OIL PAN JOINT DE VENTILATEUR D'HUILE | 1 | |
| 12 | 93606-12019 | PIN, DOWEL GOUPILLE | 4 | |
| 13 | 62Y-15316-00 | DAMPER, ENGINE MOUNT 1 AMORTISSEUR DE SUPPORT | 1 | |
| 14 | 62Y-13471-00 | PLUG, DRAIN PLOT, VIDANGE | 1 | |
| 15 | 93210-14515 | O-RING JOINT TORIQUE | 1 | |
| 16 | 97095-06025 | BOLT BOULON | 10 | |
| 17 | 92990-06600 | WASHER, PLATE RONDELLE, PLATE | 10 | |

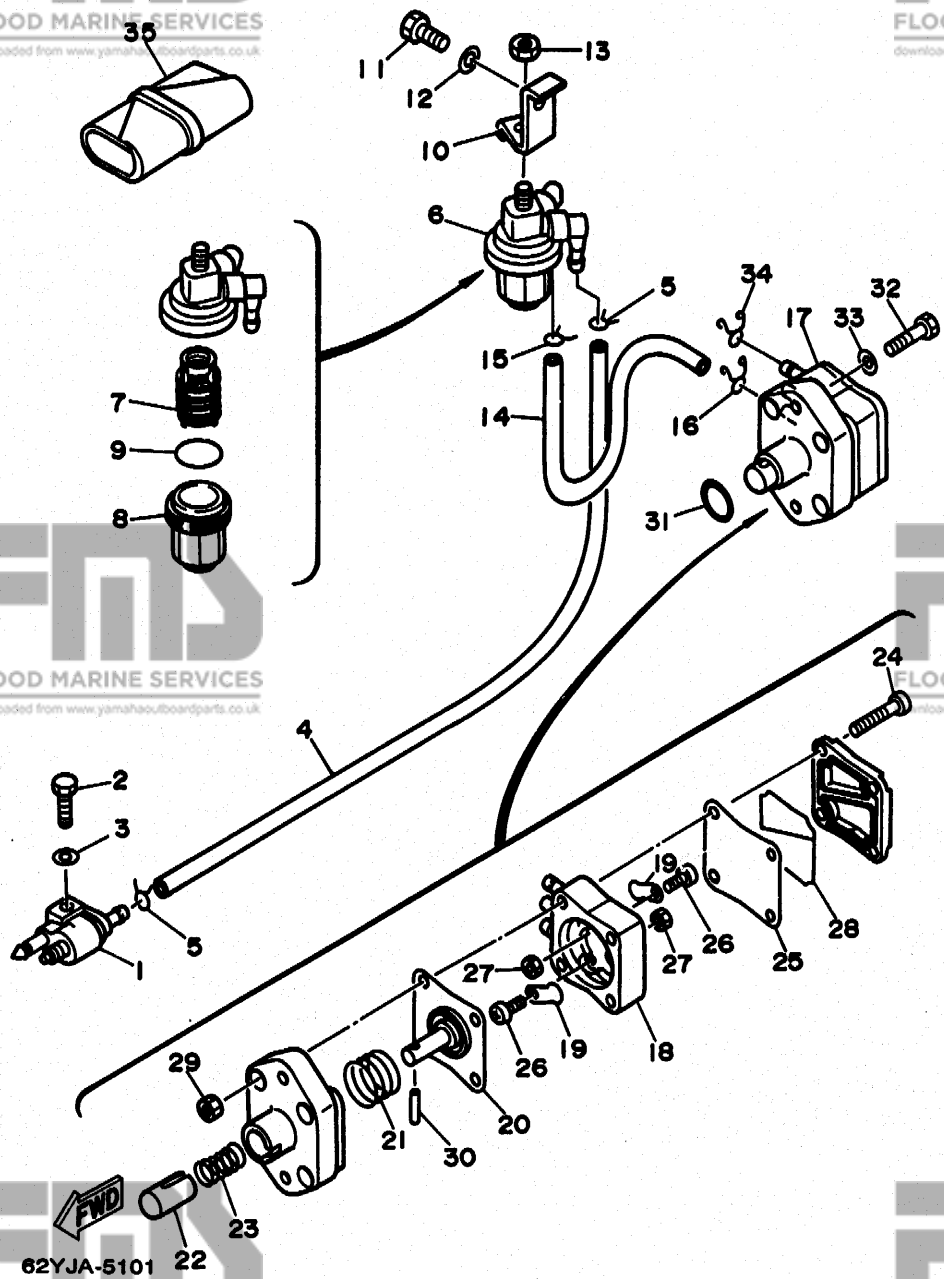


FIG. 10 FUEL

CARBURANT

| REF. NO. | PART NO. NO. PIECES | DESCRIPTION DESCRIPTION | Q'TY QTE | REMARKS REMARQUES |
|----------|---------------------|---|----------|-------------------|
| 1 | 6G1-24304-02 | FUEL PIPE JOINT COMP. 1 | 1 | |
| 2 | 97095-06025 | DURITE RACCORDEMT. A ESSENCE | 1 | |
| 3 | 92990-06600 | BOLT BOULON | 1 | |
| 4 | 90445-10M34 | WASHER, PLATE RONDELLE, PLATE | 1 | |
| 5 | 90467-09M03 | HOSE DURITE | 1 | |
| 6 | 61N-24560-00 | CLIP JONC | 2 | |
| 7 | 61N-24563-00 | FILTER ASSY ENS FILTRE | 1 | |
| 8 | 61N-24521-00 | .ELEMENT, FILTER .ELEMENT, FILTRE | 1 | |
| 9 | 61N-24521-00 | .CUP, FILTER .CUVETTE, FILTRE | 1 | |
| 10 | 93210-32738 | .O-RING | 1 | |
| 11 | 62Y-24566-00 | .JOINT TORIQUE | 1 | |
| 12 | 97095-08014 | BRACKET, FILTER SUPPORT, FILTRE | 1 | |
| 13 | 92995-08600 | BOLT BOULON | 1 | |
| 14 | 95380-08600 | WASHER RONDELLE | 1 | |
| 15 | 90445-10M48 | NUT ECROU | 1 | |
| 16 | 90467-10M04 | HOSE DURITE | 1 | |
| 17 | 90467-09M03 | CLIP JONC | 1 | |
| 18 | 90467-10M04 | CLIP JONC | 1 | |
| 19 | 62Y-24410-00 | FUEL PUMP ASSY POMPE A ESSENCE | 1 | |
| 20 | 62Y-24413-00 | .BODY 2 .CORPS 2 | 1 | |
| 21 | 6A0-24421-01 | .VALVE, CHECK .SOUPAPE, RETENUE | 2 | |
| 22 | 62Y-24411-00 | .DIAPHRAGM .DIAPHRAGME | 1 | |
| 23 | 62Y-24423-00 | .SPRING, DIAPHRAGM .RESSORT, DIAPHRAGME | 1 | |
| 24 | 62Y-13131-00 | .PLUNGER .PLONGEUR | 1 | |
| 25 | 62Y-24454-00 | .SPRING .RESSORT | 1 | |
| 26 | 62Y-24444-00 | .SCREW .VIS | 4 | |
| 27 | 62Y-24471-00 | .DIAPHRAGM .DIAPHRAGME | 1 | |
| 28 | 6A0-14325-00 | .SCREW, PAN HEAD .VIS TETE CONIQUE | 2 | |
| 29 | 95380-03600 | .NUT | 2 | |
| 30 | 62Y-24452-00 | .ECROU .COVER .COUVERCLE | 1 | |



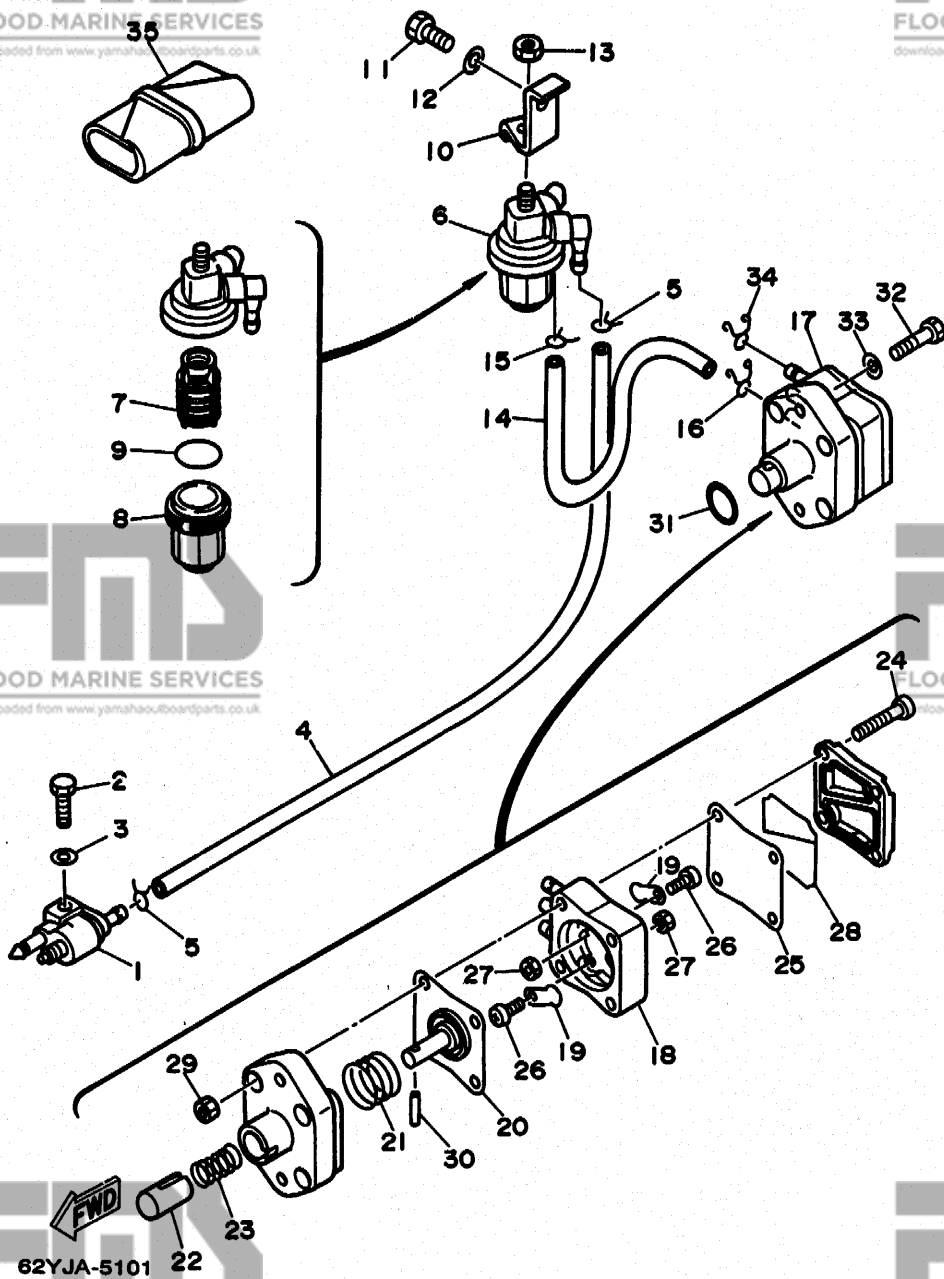


FIG. 10 FUEL

CARBURANT

| REF. NO. | PART NO. NO. PIECES | DESCRIPTION DESCRIPTION | Q'TY QTE | REMARKS REMARQUES |
|----------|---------------------|-------------------------------|----------|-------------------|
| 29 | 95380-05600 | .NUT .ECROU | 4 | |
| 30 | 62Y-24374-00 | .PIN .GOUILLE | 1 | |
| 31 | 93210-25070 | O-RING | 1 | |
| 32 | 97095-06030 | JOINT TORIQUE | 2 | |
| 33 | 92990-06600 | BOLT BOULON | 2 | |
| 34 | 90467-10M04 | WASHER, PLATE RONDELLE, PLATE | 1 | |
| 35 | 62Y-28100-00 | CLIP JONG | 1 | |
| | | TOOL KIT TROUSSE A OUTILS | | |

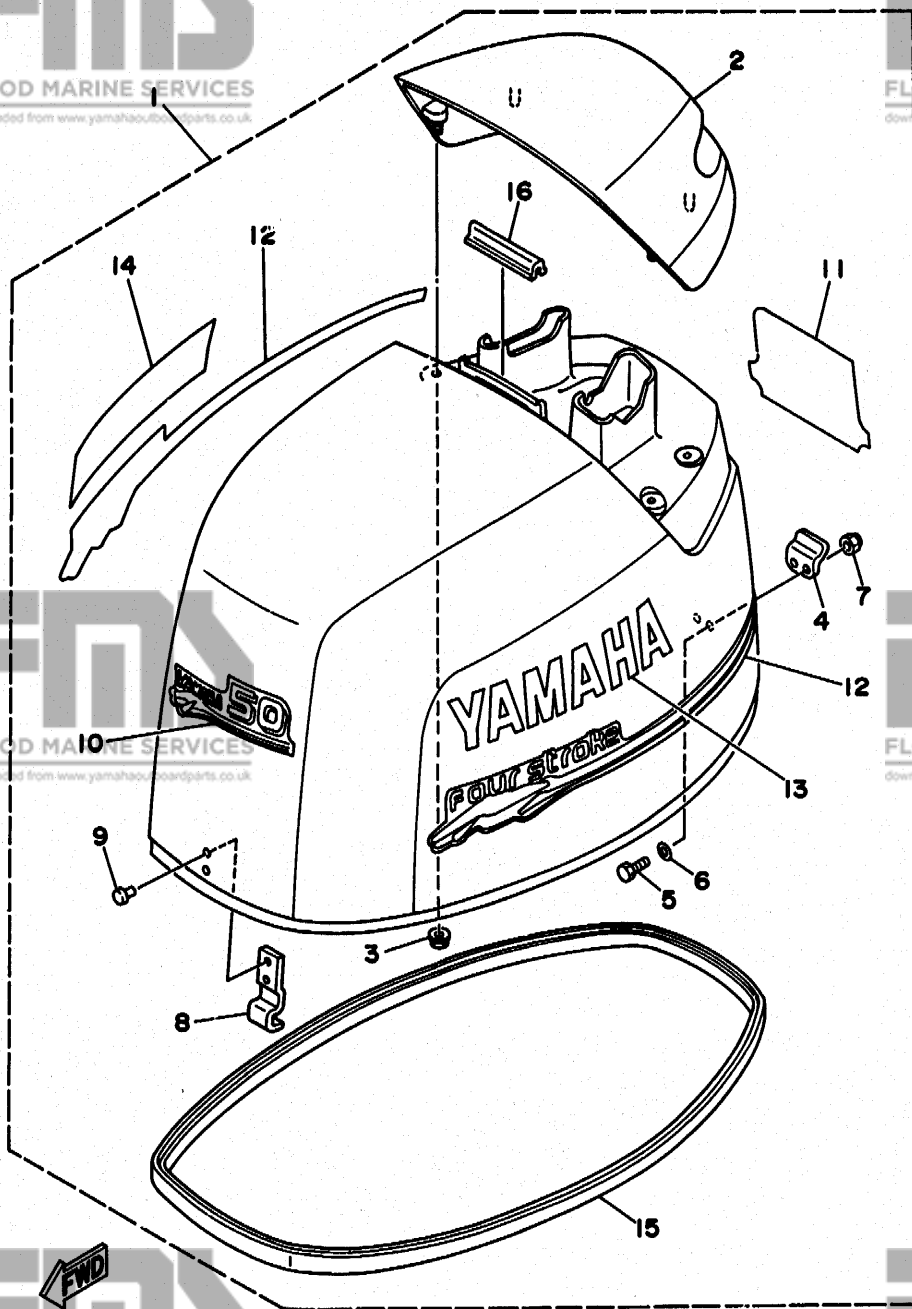


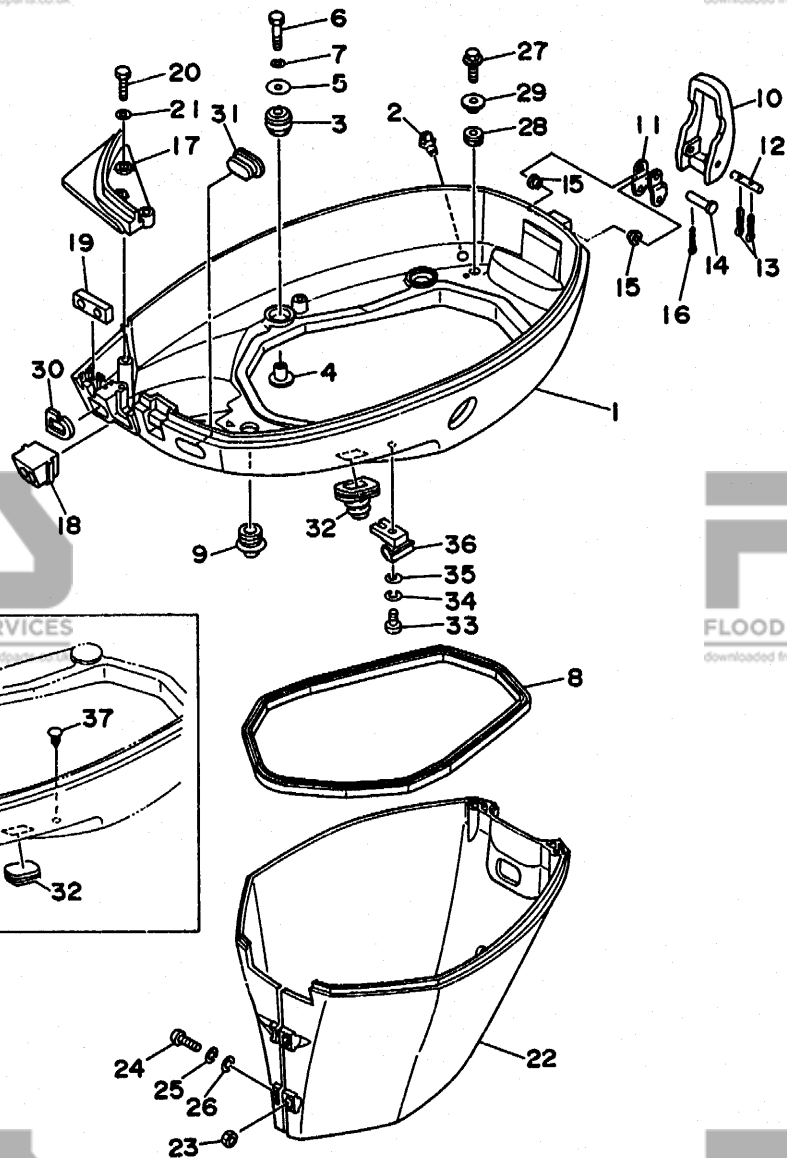
FIG. 11 TOP COWLING

CAPOT SUPERIEUR

| REF. NO. | PART NO. NO. PIECES | DESCRIPTION DESCRIPTION | Q'TY QTE | REMARKS REMARQUES |
|----------|---------------------|-----------------------------------|----------|-------------------|
| 1 | 62Y-42610-00-4D | TOP COWLING ASSY CAPOT (ENS.) | 1 | UR F50A |
| | 64J-42610-00-4D | TOP COWLING ASSY CAPOT (ENS.) | 1 | UR F50B |
| | 62Y-42610-10-4D | TOP COWLING ASSY CAPOT (ENS.) | 1 | UR F45A |
| 2 | 62Y-42613-00-4D | .MOLDING, AIR DUCT .MANCHON A AIR | 1 | |
| 3 | 90179-06M24 | .NUT .ECROU | 4 | |
| 4 | 62Y-42652-00 | .HOOK .CROCHET | 1 | |
| 5 | 97095-05016 | .BOLT .BOULON | 2 | |
| 6 | 92990-05600 | .WASHER, PLATE .RONDELLE, PLATE | 2 | |
| 7 | 95780-05300 | .NUT, FLANGE .ECROU | 2 | |
| 8 | 62Y-42651-00 | .HOOK .CROCHET | 1 | |
| 9 | 90266-06M02 | .RIVET .RIVET | 2 | |
| 10 | 62Y-42677-00 | .GRAPHIC, FRONT .ADHESIF, AVANT | 1 | UR |
| | 62Y-42677-10 | .GRAPHIC, FRONT .ADHESIF, AVANT | 1 | UR F45A |
| 11 | 62Y-42678-00 | .GRAPHIC, REAR .ADHESIF, ARRIERE | 1 | UR F50A |
| | 64J-42678-00 | .GRAPHIC, REAR .ADHESIF, ARRIERE | 1 | UR F50B |
| | 62Y-42678-10 | .GRAPHIC, REAR .ADHESIF, ARRIERE | 1 | UR F45A |
| 12 | 62Y-W0070-00 | .GRAPHIC SET .JEU DIEMBLEMES | 1 | |
| 13 | 62Y-42681-00 | .MARK, COWLING .ADHESIF, CAPOT | 1 | |
| 14 | 62Y-42682-00 | .MARK, COWLING .ADHESIF, CAPOT | 1 | |
| 15 | 62Y-42615-00 | .SEAL .JOINT | 1 | |
| 16 | 61N-42628-00 | .SEAL .JOINT | 1 | |

FIG. 12 BOTTOM COWLING

CAPOT INFERIEUR



| REF. NO. | PART NO. | DESCRIPTION | Q'TY | REMARKS |
|----------|-----------------|-----------------------|------|---------|
| 1 | 62Y-42711-00-4D | COWLING, BOTTOM | 1 | UR |
| | 62Y-42711-10-4D | CUVETTE | | |
| | 62Y-42711-10-4D | COWLING, BOTTOM | 1 | UR PTT |
| | 62Y-42711-10-4D | CUVETTE | | |
| 2 | 6H3-44391-01 | NIPPLE, HOSE | 1 | |
| | 6H3-44391-01 | RACCORD D'ESSENCE | | |
| 3 | 90480-09M12 | GROMMET | 4 | |
| | 90480-09M12 | PASSE-FIL | | |
| 4 | 90387-06M69 | COLLAR | 4 | |
| | 90387-06M69 | COLLERETTE | | |
| 5 | 90201-06416 | WASHER, PLATE | 4 | |
| | 90201-06416 | RONDELLE, PLATE | | |
| 6 | 97095-06030 | BOLT | 4 | |
| | 97095-06030 | BOULON | | |
| 7 | 92995-06100 | WASHER, SPRING | 4 | |
| | 92995-06100 | RONDELLE, GROWER | | |
| 8 | 62Y-42716-00 | RUBBER, SEAL 1 | 1 | |
| | 62Y-42716-00 | JOINT EN CAOUTCHOUC 1 | | |
| 9 | 6E5-42724-00 | GROMMET | 1 | |
| | 6E5-42724-00 | PASSE-FIL | | |
| 10 | 62Y-42828-00-4D | PLATE, CLAMP | 1 | |
| | 62Y-42828-00-4D | PLAQUE, PRESSE | | |
| 11 | 62Y-42815-00 | LEVER, CLAMP | 1 | |
| | 62Y-42815-00 | LEVIER, PRESSE | | |
| 12 | 90249-05M30 | PIN | 1 | |
| | 90249-05M30 | GOUPILLE | | |
| 13 | 91490-16010 | PIN, COTTER | 2 | |
| | 91490-16010 | GOUPILLE | | |
| 14 | 90240-05M19 | PIN, CLEVIS | 1 | |
| | 90240-05M19 | BOULON, A GOUPILLE | | |
| 15 | 90386-05002 | BUSH | 2 | |
| | 90386-05002 | DOUILLE | | |
| 16 | 91490-16010 | PIN, COTTER | 1 | |
| | 91490-16010 | GOUPILLE | | |
| 17 | 62Y-42738-00-5B | PLATE, FITTING | 1 | |
| | 62Y-42738-00-5B | ETRIER | | |
| 18 | 62Y-42725-00 | GROMMET | 1 | |
| | 62Y-42725-00 | PASSE-FIL | | |
| 19 | 62Y-42727-00 | GROMMET | 1 | |
| | 62Y-42727-00 | PASSE-FIL | | |
| 20 | 97095-06020 | BOLT | 3 | |
| | 97095-06020 | BOULON | | |
| 21 | 92990-06600 | WASHER, PLATE | 3 | |
| | 92990-06600 | RONDELLE, PLATE | | |
| 22 | 62Y-42741-00-4D | APRON | 1 | |
| | 62Y-42741-00-4D | CAPOT LATERAL | | |
| 23 | 95380-06600 | NUT | 2 | |
| | 95380-06600 | ECROU | | |
| 24 | 98580-06025 | SCREW, PAN HEAD | 2 | |
| | 98580-06025 | VIS | | |
| 25 | 92995-06100 | WASHER, SPRING | 2 | |
| | 92995-06100 | RONDELLE, GROWER | | |
| 26 | 92990-06600 | WASHER, PLATE | 2 | |
| | 92990-06600 | RONDELLE, PLATE | | |
| 27 | 95895-06016 | BOLT, FLANGE | 2 | |
| | 95895-06016 | BOULON | | |

FIG. 12 BOTTOM COMING

CAPOT INFERIEUR

| REF. NO. | PART NO. | DESCRIPTION | Q'TY | REMARKS |
|----------|--------------|------------------------------------|------|---------|
| 28 | 90480-13M24 | GROMMET PASSE-FIL | 2 | |
| 29 | 90387-06M40 | COLLAR COLLERETTE | 2 | |
| 30 | 61N-24329-00 | SEAL JOINT | 1 | |
| 31 | 6H3-42727-00 | GROMMET PASSE-FIL | 1 | |
| 32 | 6H4-42726-00 | GROMMET PASSE-FIL | 1 | UR |
| | 688-42726-10 | GROMMET PASSE-FIL | 1 | UR PTT |
| 33 | 98580-06025 | SCREW, PAN HEAD VIS | 1 | |
| 34 | 92995-06100 | WASHER, SPRING RONDELLE, GROUER | 1 | |
| 35 | 92990-06600 | WASHER, PLATE RONDELLE, PLATE | 1 | |
| 36 | 90464-09M43 | CLAMP BRIDE | 1 | |
| 37 | 90338-05M03 | PLUG PLOT | 1 | |

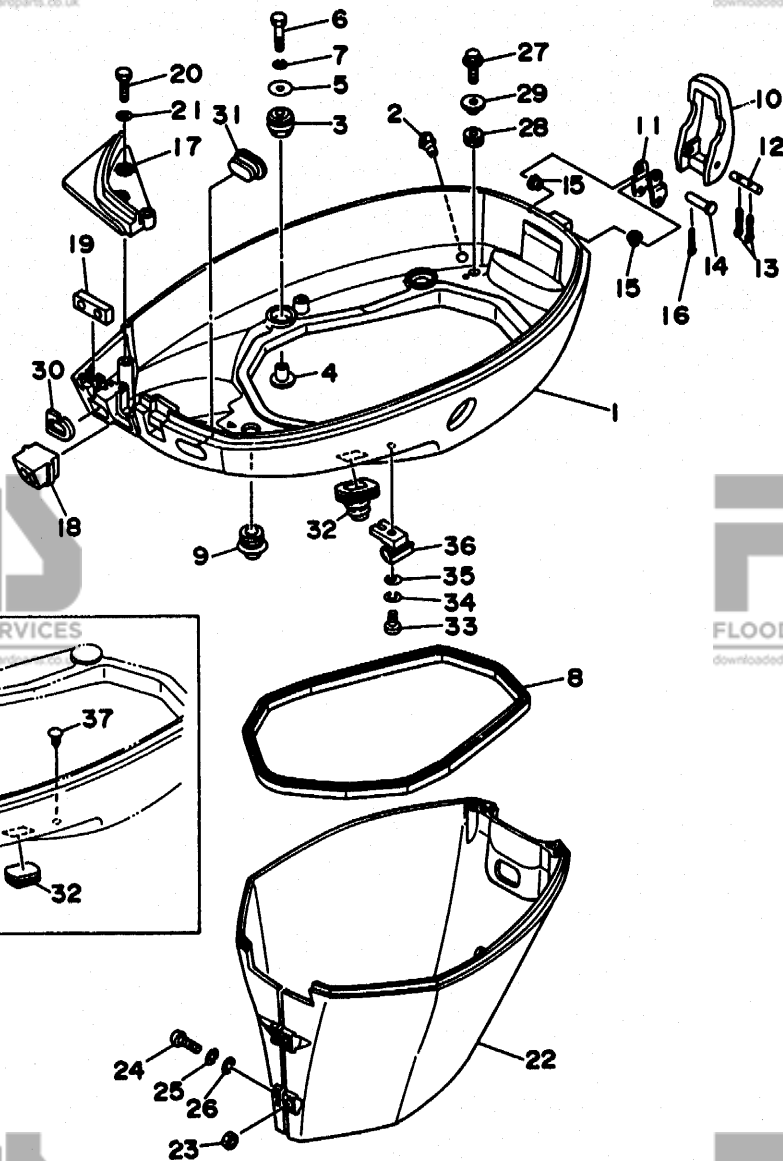
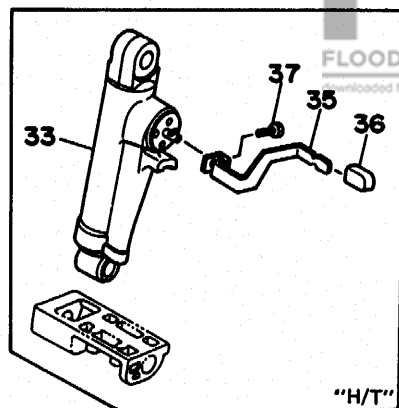
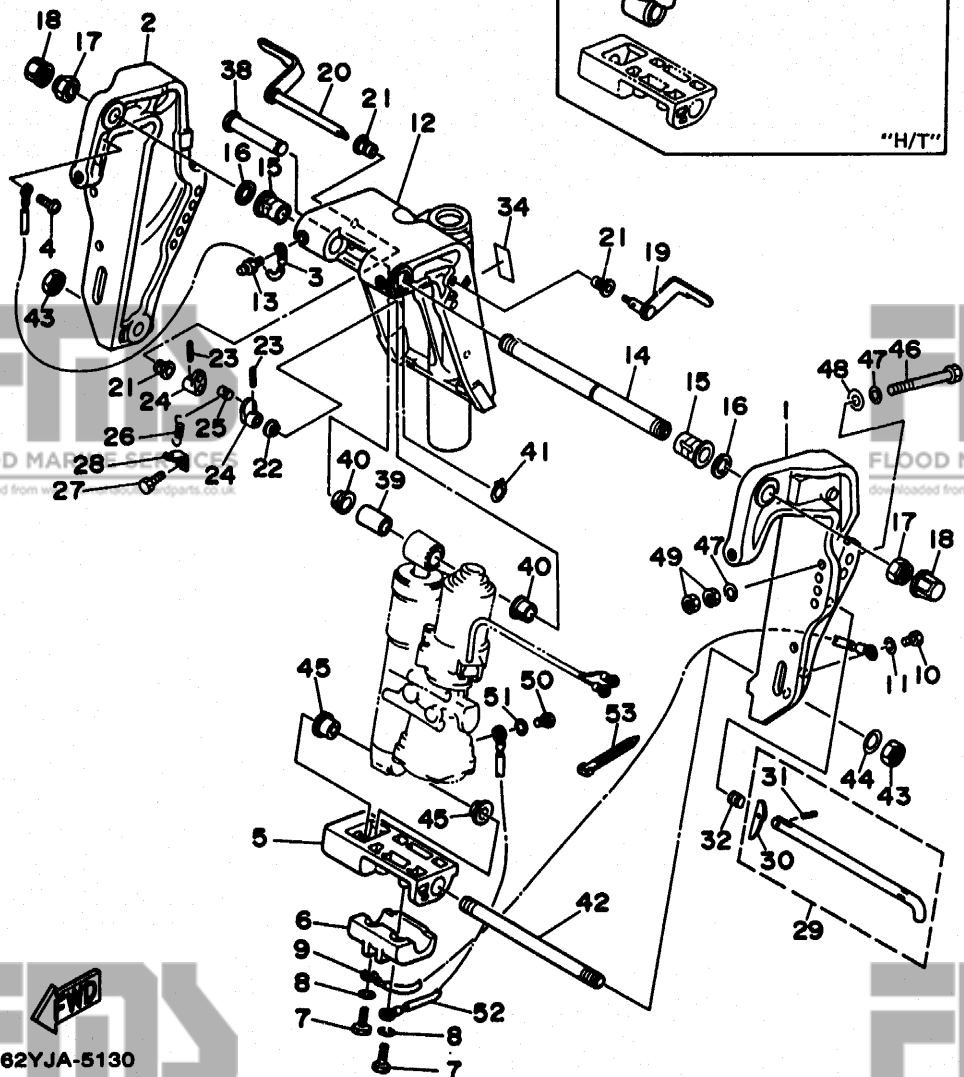


FIG. 13 BRACKET 1

SUPPORT 1



"H/T"

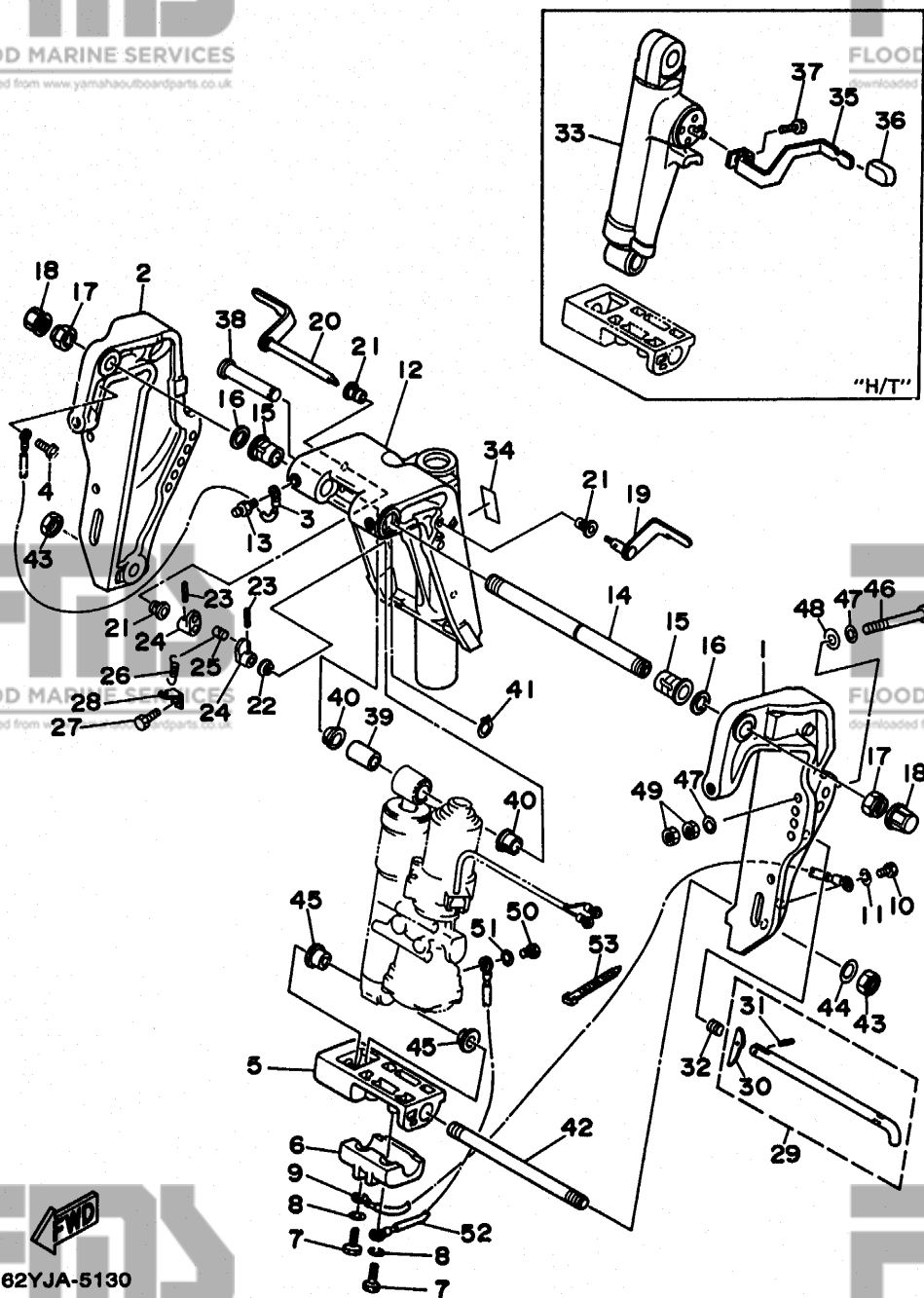


| REF. NO. | PART NO. NO. PIECES | DESCRIPTION DESCRIPTION | Q'TY QTE | REMARKS REMARQUES |
|----------|---------------------|--|----------|-------------------|
| 1 | 63D-43111-00-4D | BRACKET, CLAMP PRESSE | 1 | |
| 2 | 63D-43112-00-4D | BRACKET, CLAMP PRESSE | 1 | |
| 3 | 63D-82148-00 | WIRE, LEAD 4 FIL 4 | 1 | |
| 4 | 97885-06008 | SCREW, PAN HEAD VIS, TETE TRONCONIQUE | 1 | |
| 5 | 63D-43128-01-4D | SPACER, CLAMP BRACKET ENTRETOISE | 1 | |
| 6 | 63D-45251-00 | ANODE ANODE | 1 | |
| 7 | 97095-06025 | BOLT BOULON | 2 | |
| 8 | 92995-06100 | WASHER, SPRING RONDELLE, GROWER | 2 | |
| 9 | 6H1-82148-00 | WIRE, LEAD 4 FIL 4 | 1 | |
| 10 | 97095-06010 | BOLT BOULON | 1 | |
| 11 | 92990-06600 | WASHER, PLATE RONDELLE, PLATE | 1 | |
| 12 | 63D-43311-10-4D | BRACKET, SWIVEL SUPPORT, PIVOT | 1 | |
| 13 | 93700-06M03 | NIPPLE, GREASE PION | 3 | |
| 14 | 63D-43131-00 | BOLT, CLAMP BRACKET BOULON, PRESSE | 1 | |
| 15 | 90386-22M15 | BUSH DOUILLE | 2 | |
| 16 | 90201-22M03 | WASHER, PLATE RONDELLE, PLATE | 2 | |
| 17 | 90185-22M11 | NUT, SELF-LOCKING ECROU, AUTO-BLOCANT | 2 | |
| 18 | 6G5-43145-00 | CAP, CLAMP BRACKET CAPUCHON, PRESSE | 2 | |
| 19 | 6H5-43181-03 | LEVER, TILT STOP LEVIER, VERROUILLAGE RELEVAGE | 1 | |
| 20 | 6H5-43185-03 | LEVER, TILT STOP LEVIER, VERROUILLAGE RELEVAGE | 1 | |
| 21 | 90386-10M16 | BUSH DOUILLE | 3 | |
| 22 | 90386-10025 | BUSH DOUILLE | 1 | |
| 23 | 91690-30020 | PIN, SPRING AGRAFFE | 2 | |
| 24 | 6G5-43148-00 | COLLAR, DISTANCE ENTRETOISE | 2 | |
| 25 | 90249-06M19 | PIN GOUPILLE | 1 | |
| 26 | 90506-14M24 | SPRING, TENSION RESSORT, TENSION | 1 | |
| 27 | 97095-06010 | BOLT BOULON | 1 | |
| 28 | 6G5-43144-00 | HOOK, SPRING CROCHET | 1 | |

D3

FIG. 13 BRACKET 1

SUPPORT 1



| REF. NO. | PART NO. NO. PIECES | DESCRIPTION DESCRIPTION | Q'TY QTE | REMARKS REMARQUES |
|----------|---------------------|--|----------|-------------------|
| 29 | 688-43160-01 | TILT ROD ASSY BROCHE D'INCLINAISON (ENS.) | 1 | |
| 30 | 688-43165-00 | .PLATE, TILT LOCK .TAQUET, BROCHE INCLINAISON | 1 | |
| 31 | 91690-30012 | .PIN, SPRING .AGRAFFE | 1 | |
| 32 | 90502-16M02 | SPRING, CONICAL RESSORT, CONIQUE | 1 | |
| 33 | 62Y-43170-00-4D | SHOCK ABSORBER ASSY AMORTISSEUR (ENS.) | 1 H/T | |
| 34 | 63D-43691-00 | INDICATOR, TILT ETIQUETTE, RELEVAGE | 1 H/T | |
| 35 | 63D-43631-00 | LEVER, TILT LEVIER, INCLINAISON | 1 H/T | |
| 36 | 682-43318-01 | COVER CAPUCHON | 1 H/T | |
| 37 | 97095-06010 | BOLT BOULON | 1 H/T | |
| 38 | 6E5-43126-02 | PIN, UPPER SHOCK MOUNT AXE, SUPERIEUR AMORTISSEUR | 1 | |
| 39 | 90386-18M92 | BUSH DOUILLE | 1 | |
| 40 | 90386-18M35 | BUSH DOUILLE | 2 | |
| 41 | 93410-18M02 | CIRCLIP CLIPS | 1 | |
| 42 | 90116-18M52 | BOLT, STUD GOUJON | 1 | |
| 43 | 90170-18M10 | NUT ECROU | 2 | |
| 44 | 92995-18600 | WASHER RONDELLE, PLATE | 1 | |
| 45 | 90386-18M44 | BUSH DOUILLE | 2 | |
| 46 | 90101-12M65 | BOLT BOULON | 4 AP | |
| 47 | 92995-12200 | WASHER RONDELLE | 8 AP | |
| 48 | 90201-12426 | WASHER, PLATE RONDELLE, PLATE | 4 AP | |
| 49 | 95380-12600 | NUT ECROU | 8 AP | |
| 50 | 97095-06010 | BOLT BOULON | 1 PTT | |
| 51 | 92990-06600 | WASHER, PLATE RONDELLE, PLATE | 1 PTT | |
| 52 | 6H1-82148-00 | WIRE, LEAD 4 FIL 4 | 1 PTT | |
| 53 | 90465-11M10 | CLAMP BRIDE | 4 PTT | |

62YJA-5130

D4

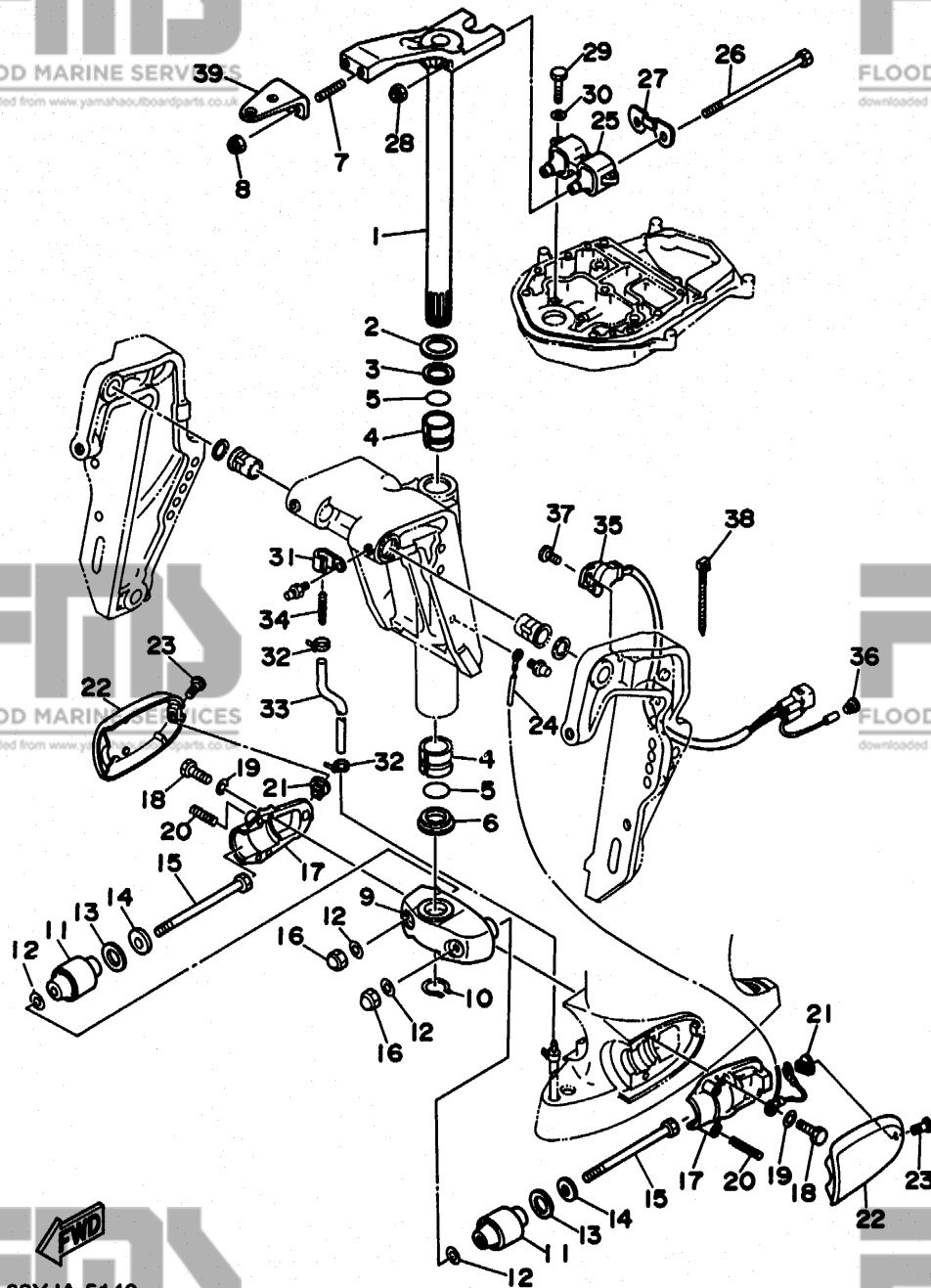


FIG. 14 BRACKET 2 SUPPORT 2

| REF. NO. | PART NO. NO. PIECES | DESCRIPTION DESCRIPTION | Q'TY QTE | REMARKS REMARQUES |
|----------|---------------------|---|----------|-------------------|
| 1 | 63D-42510-10-4D | STEERING BRACKET ASSY DIRECTION SUPPORT (ENS.) | 1 | |
| 2 | 90201-30M00 | WASHER, PLATE RONDELLE, PLATE | 1 | |
| 3 | 90386-30M78 | BUSH DOUILLE | 1 | |
| 4 | 90386-30M77 | BUSH DOUILLE | 2 | |
| 5 | 93210-29M94 | O-RING JOINT TORIQUE | 2 | |
| 6 | 90386-30M60 | BUSH DOUILLE | 1 | |
| 7 | 90116-10175 | BOLT, STUD GOUJON | 2 | |
| 8 | 90185-10051 | NUT, SELF-LOCKING ECROU, AUTO-BLOCANT | 2 | |
| 9 | 663-44551-02-4D | HOUSING, LOWER MOUNT RUBBER BOITIER, SILENT-BLOC INFÉRIEUR | 1 | |
| 10 | 93410-28M06 | CIRCLIP CLIPS | 1 | |
| 11 | 679-44555-00-94 | MOUNT DAMPER, LOWER SIDE SILENT-BLOC, INFÉRIEUR LATERAL | 2 | |
| 12 | 90201-12M16 | WASHER, PLATE RONDELLE, PLATE | 4 | |
| 13 | 90202-21100 | WASHER, PLATE RONDELLE, PLATE | 2 | |
| 14 | 90201-13M19 | WASHER, PLATE RONDELLE, PLATE | 2 | |
| 15 | 90109-12261 | BOLT BOULON | 2 | |
| 16 | 95380-12800 | NUT, CROWN ECROU, BORGNE | 2 | |
| 17 | 663-44552-00-94 | HOUSING, LOWER MOUNT RUBBER BOITIER, SILENT-BLOC INFÉRIEUR | 2 | |
| 18 | 97075-08025 | BOLT BOULON | 4 | |
| 19 | 92995-08100 | WASHER RONDELLE | 4 | |
| 20 | 90501-14M08 | SPRING, COMPRESSION RESSORT, COMPRESSION | 4 | |
| 21 | 90179-06066 | NUT ECROU | 2 | |
| 22 | 62Y-44553-00-4D | COVER, LOWER MOUNT COUVERCLE, SUSPENSION INFÉRIEUR | 2 | |
| 23 | 97885-06016 | SCREW, PAN HEAD VIS | 2 | |
| 24 | 697-82127-01 | WIRE, LEAD 2 FIL 2 | 1 | |
| 25 | 62Y-44514-00-4D | MOUNT DAMPER, UPPER SIDE SILENT-BLOC, SUPÉRIEUR LATERAL | 1 | UR |
| | 62Y-44514-20-4D | MOUNT DAMPER, UPPER SIDE SILENT-BLOC, SUPÉRIEUR LATERAL | 1 | UR F50B |
| 26 | 90101-08M15 | BOLT BOULON | 2 | |
| 27 | 63D-44526-00 | PLATE PLAQUE | 1 | |

D5

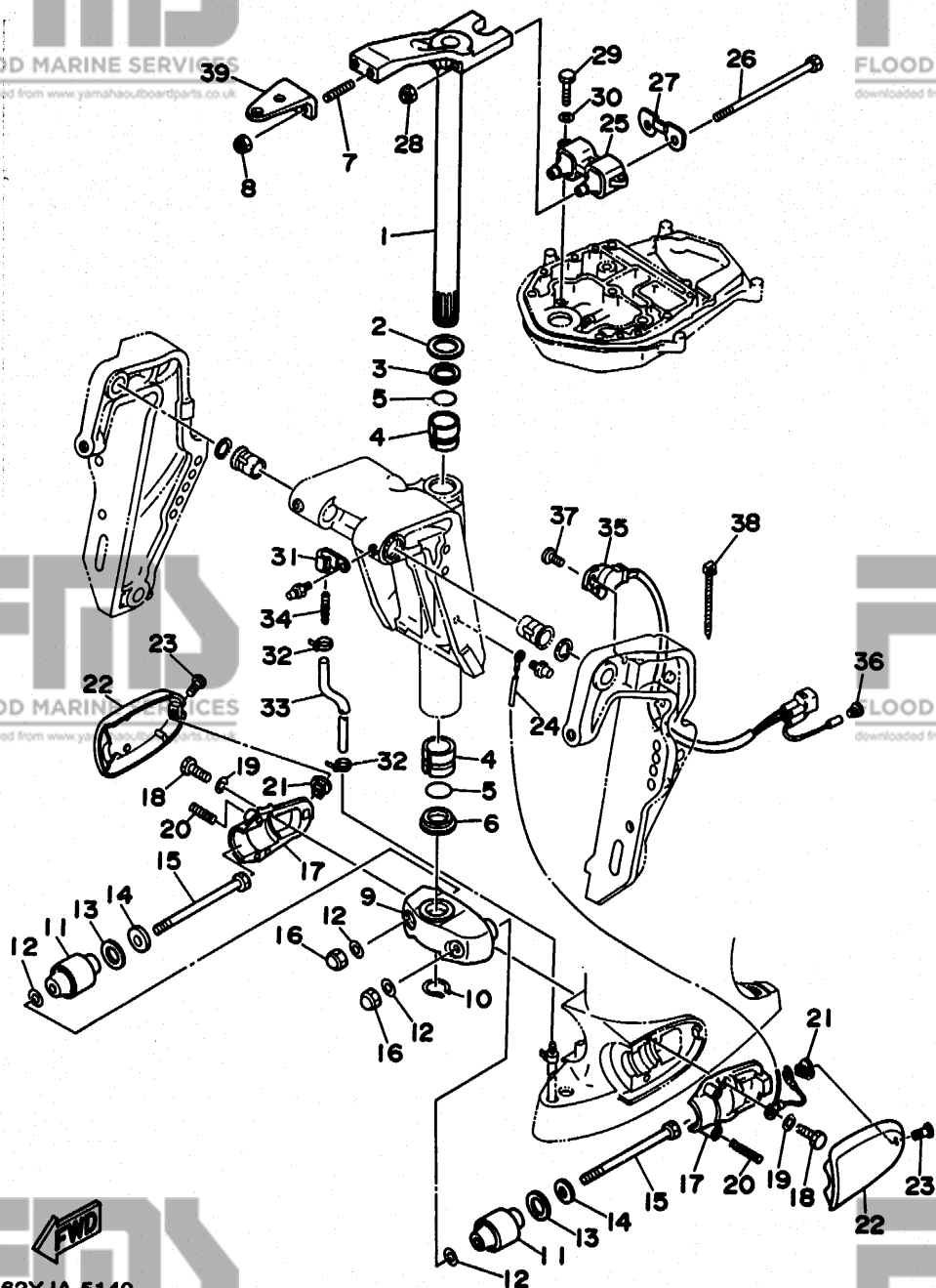


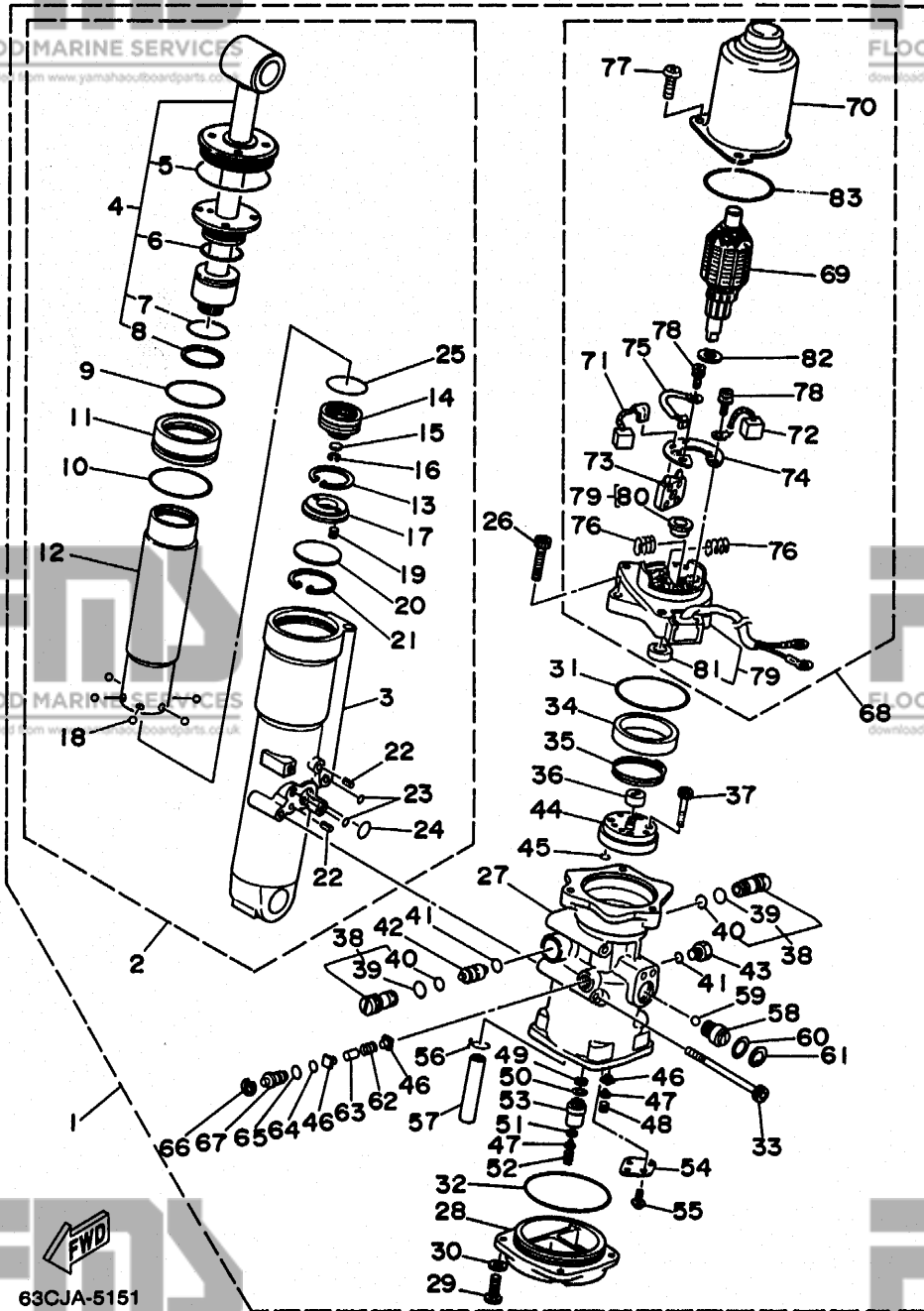
FIG. 14 BRACKET 2

SUPPORT 2

| REF. NO. | PART NO. NO. PIECES | DESCRIPTION DESCRIPTION | Q'TY QTE | REMARKS REMARQUES |
|----------|---------------------|--|----------|-------------------|
| 28 | 90185-08045 | NUT, SELF-LOCKING ECROU, AUTO-BLOCANT | 2 | |
| 29 | 97075-08030 | BOLT BOULON | 3 | |
| 30 | 92995-08100 | WASHER RONDELLE | 3 | |
| 31 | 90465-08028 | CLAMP BRIDE | 1 | |
| 32 | 90465-11M10 | CLAMP BRIDE | 2 | |
| 33 | 90445-07MF1 | HOSE DURITE | 1 | |
| 34 | 6E5-83558-00 | END, NIPPLE RACCORD DE NIPPLE | 1 | |
| 35 | 63D-83672-00 | TRIM SENDER INCLINER RACCORD | 1 | UR PTT |
| 36 | 703-82119-00 | COVER, LEAD WIRE GARNITURE, FIL | 1 | UR PTT |
| 37 | 97885-06016 | SCREW, PAN HEAD VIS, TETE TRONCONIQUE | 2 | UR PTT |
| 38 | 90465-13M11 | CLAMP BRIDE | 1 | UR PTT |
| 39 | 63D-48511-00-4D | HOOK, STEERING ATTACHE, DIRECTION | 1 | |

FIG. 15 POWER TRIM & TILT ASSY 1

PUISSANCE PARER ET INCLINER (ENS.) 1



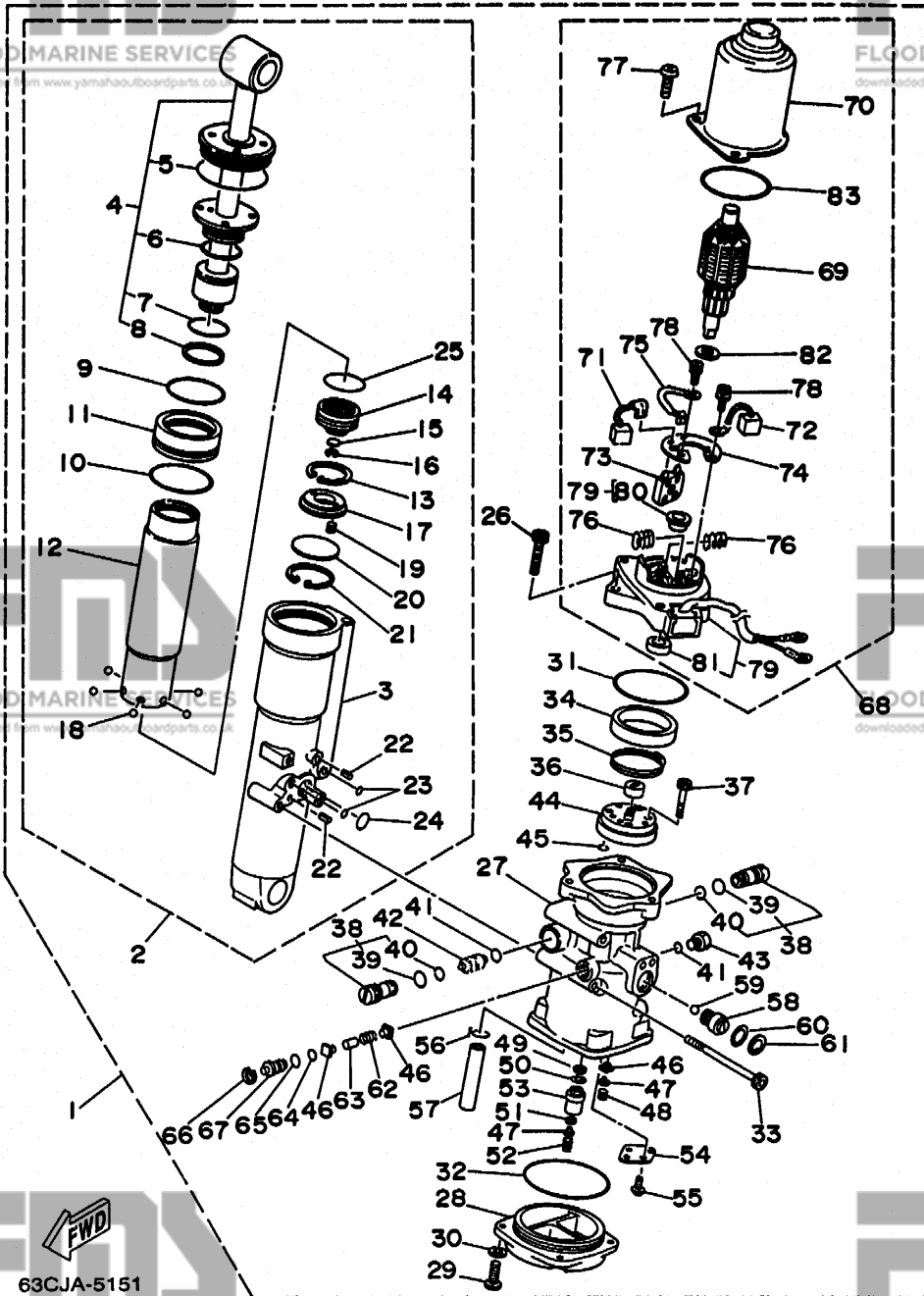
| REF. NO. | PART NO. NO. PIECES | DESCRIPTION DESCRIPTION | Q'TY QTE | REMARKS REMARQUES |
|----------|---------------------|--|----------|-------------------|
| 1 | 62X-43800-00-4D | POWER TRIM & TILT ASSY PUISSANCE PARER ET INCLINER (ENS.) | 1 | |
| 2 | 62X-43840-00 | .POWER TILT ASSY .PUISSANCE INCLINER (ENS.) | 1 | |
| 3 | 62X-4380K-00 | ..CYLINDER, TILT SUB ASSY | 1 | |
| 4 | 62X-43810-00 | ..PISTON SUB ASSY ..PISTON AUXILIAIRE (ENS.) | 1 | |
| 5 | 62X-43861-00 | ...O-RING | 1 | |
| 6 | 62X-43862-00 | ...JOINT TORIQUE | 1 | |
| 7 | 93210-29375 | ...O-RING | 1 | |
| 8 | 62X-43871-00 | ...RING, BACK UP ...SEGMENT | 1 | |
| 9 | 93210-44383 | ..O-RING | 1 | |
| 10 | 93210-48214 | ..JOINT TORIQUE | 1 | |
| 11 | 62X-4388A-00 | ..PISTON, TRIM ..PISTON | 1 | |
| 12 | 62X-22471-00 | ..CYLINDER, SHOCK ABSORBER ..CYLINDRE, AMORTISSEUR | 1 | |
| 13 | 99009-35500 | ..CIRCLIP | 1 | |
| 14 | 62X-43814-00 | ..PISTON, FREE ..PISTON | 1 | |
| 15 | 6H1-4384G-11 | ..SEAL, RELIEF VALVE ..JOINT | 1 | |
| 16 | 61A-43875-00 | ..RING, SNAP ..RESSORT | 1 | |
| 17 | 62X-43899-00 | ..PLATE STOPPER ..PLAQUETTE | 1 | |
| 18 | 93503-16010 | ..BALL ..BILLE | 6 | |
| 19 | 62X-4384H-00 | ..SPRING ..RESSORT | 2 | |
| 20 | 1UF-22434-00 | ..PLATE, VALVE 1 ..PLATEAU, SOUPAPE 1 | 1 | |
| 21 | 62X-43875-00 | ..RING, SNAP ..RESSORT | 1 | |
| 22 | 91690-40010 | ..PIN, SPRING ..AGRAFFE | 2 | |
| 23 | 93210-06519 | ..O-RING | 2 | |
| 24 | 62X-43864-00 | ..JOINT TORIQUE | 1 | |
| 25 | 93210-29375 | ..O-RING | 1 | |
| 26 | 62X-43888-00 | ..JOINT TORIQUE | 3 | |
| 27 | 62X-4380L-00 | .BOLT, SOCKET .BOULON | 1 | |
| 28 | 62X-4385M-00 | .HOUSING, TRIM & TILT SUB ASSY .CARTER | 1 | |
| 29 | | .PLATE, RESERVOIR .PLAQUETTE | 1 | |

FWD
63CJA-5151

D7

FIG. 15 POWER TRIM & TILT ASSY 1

PUISSANCE PARER ET INCLINER (ENS.) 1

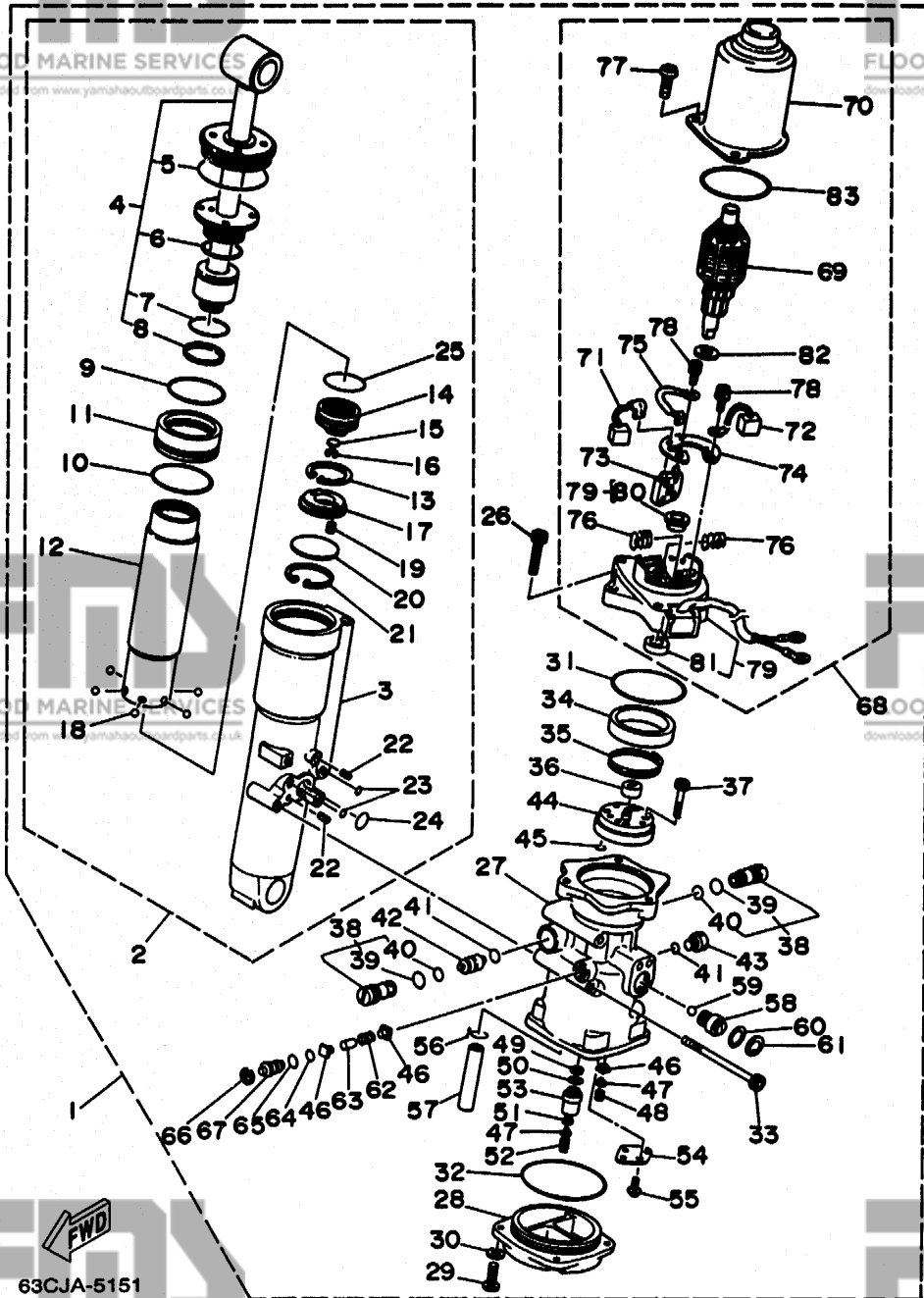


63CJA-5151

| REF. NO. | PART NO. NO. PIECES | DESCRIPTION DESCRIPTION | Q'TY QTE | REMARKS REMARQUES |
|----------|---------------------|--|----------|-------------------|
| 29 | 97095-06016 | .BOLT .BOULON | 4 | |
| 30 | 92995-06100 | .WASHER, SPRING .RONDELLE, GROWER | 4 | |
| 31 | 62X-43865-00 | .O-RING .JOINT TORIQUE | 1 | |
| 32 | 62X-43866-00 | .O-RING .JOINT TORIQUE | 1 | |
| 33 | 62X-43878-00 | .BOLT, SOCKET .BOULON | 3 | |
| 34 | 6H1-43817-01 | .FILTER 2 .FILTRE 2 | 1 | |
| 35 | 6H1-4385H-00 | .SPRING, SEAL .RESSORT | 1 | |
| 36 | 6H1-43831-10 | .CONNECTOR, SHAFT .RACCORD | 1 | |
| 37 | 91318-04025 | .BOLT .BOULON | 4 | |
| 38 | 6T4-43802-01 | .VALVE SUB ASSY .CLAPET AUXILIAIRE (ENS.) | 2 | |
| 39 | 6H1-43866-00 | .O-RING ..JOINT TORIQUE | 1 | |
| 40 | 6H1-43867-00 | .O-RING ..JOINT TORIQUE | 1 | |
| 41 | 93210-09350 | .O-RING .JOINT TORIQUE | 2 | |
| 42 | 62X-43841-00 | .PISTON, SHUTTLE .PISTON | 1 | |
| 43 | 6H1-43829-00 | .PLUG, RESERVOIR .BOUCHON | 1 | |
| 44 | 62X-43830-00 | .GEAR PUMP ASSY .POMPE A PIGNON (ENS.) | 1 | |
| 45 | 93210-06519 | .O-RING .JOINT TORIQUE | 2 | |
| 46 | 6H1-4384F-10 | .SEAL, MAIN VALVE .JOINT | 3 | |
| 47 | 6H1-43844-10 | .PIN, VALVE SUPPORT .GOUPILLE | 2 | |
| 48 | 6H1-43856-10 | .SPRING, DOWN RELIEF .RESSORT | 1 | |
| 49 | 6H1-43816-00 | .FILTER 1 .FILTRE 1 | 1 | |
| 50 | 6H1-43896-00 | .O-RING .JOINT TORIQUE | 1 | |
| 51 | 6H1-4384G-11 | .SEAL, RELIEF VALVE .JOINT | 1 | |
| 52 | 6H1-43855-11 | .SPRING, UP RELIEF .RESSORT | 1 | |
| 53 | 6H1-43895-11 | .SEAT, RELIEF VALVE .SIEGE | 1 | |
| 54 | 62X-4382L-00 | .CAP, RELIEF VALVE .CAPUCHON | 1 | |
| 55 | 97607-05210 | .SCREW, PAN HEAD WITH WASHER .VIS HEXAGONAL | 2 | |
| 56 | 90467-11044 | .CLIP .JONC | 1 | |

FIG. 15 POWER TRIM & TILT ASSY 1

PUISSANCE PAYER ET INCLINER (ENS.) 1



| REF. NO. | PART NO. NO. PIECES | DESCRIPTION DESCRIPTION | Q'TY QTE | REMARKS REMARQUES |
|----------|---------------------|---|----------|-------------------|
| 57 | 62X-4383A-00 | .HOSE | 1 | |
| 58 | 62X-43860-00 | .DURITE .MANUAL VALVE SUB-ASSY | 1 | |
| 59 | 93505-32038 | .SOUPAPE, MANUEL (ENS.) | 1 | |
| 60 | 93210-18397 | .BALL .BILLE ROULEMENT | 1 | |
| 61 | 6H1-43875-00 | .O-RING .JOINT TORIQUE | 1 | |
| 62 | 61A-4385H-00 | .RING, SNAP .RESSORT | 1 | |
| 63 | 93605-10108 | .SPRING, SEAL .RESSORT | 1 | |
| 64 | 93210-06632 | .PIN, DOWEL .AXE | 1 | |
| 65 | 93210-07540 | .O-RING .JOINT TORIQUE | 1 | |
| 66 | 6T4-43876-00 | .O-RING .JOINT TORIQUE | 1 | |
| 67 | 6T4-43849-00 | .RING, SNAP .RESSORT | 1 | |
| 68 | 62X-43880-00 | .PIN, VALVE SUPPORT .GOUPILLE | 1 | |
| 69 | 62X-43805-00 | .MOTOR ASSY .MOTEUR (ENS.) | 1 | |
| 70 | 62X-43804-00 | .ARMATURE ASSY ..INDUIT (ENS.) | 1 | |
| 71 | 62X-43891-00 | .STATOR ASSY ..STATOR (ENS.) | 1 | |
| 72 | 62X-43892-00 | .BRUSH 1 ..BALAI 1 | 1 | |
| 73 | 62X-82181-00 | .BRUSH 2 ..BALAI 2 | 1 | |
| 74 | 62X-4380F-00 | .CIRCUIT BREAKER COMP. ..RUPTEUR COMPLET | 1 | |
| 75 | 62X-43807-00 | .PLATE, BRUSH HOLDER ..PLAQUE | 1 | |
| 76 | 62X-4386K-00 | .WIRE SUB ASSY ..AUXILIAIRE CABLE (ENS.) | 1 | |
| 77 | 97880-05020 | .SPRING, BRUSH ..RESSORT, BALAI | 2 | |
| 78 | 98517-04012 | .SCREW, PAN HEAD ..SCREW, PAN HEAD | 3 | |
| 79 | 62X-43881-00 | .VIS, TETE TRONCONIQUE ..SCREW, PAN HEAD | 2 | |
| 80 | 62X-4380H-00 | .FRAME, END ..BATI | 1 | |
| 81 | 93102-08414 | ...METAL ...METAL | 1 | |
| 82 | 90201-083J8 | ...OIL SEAL ...JOINT SPY | 1 | |
| 83 | 93210-52449 | ...WASHER, PLATE ..RONDELLE, PLATE | 1 | |
| | | ..O-RING ..JOINT TORIQUE | 1 | |

FWD
63CJA-5151

E2

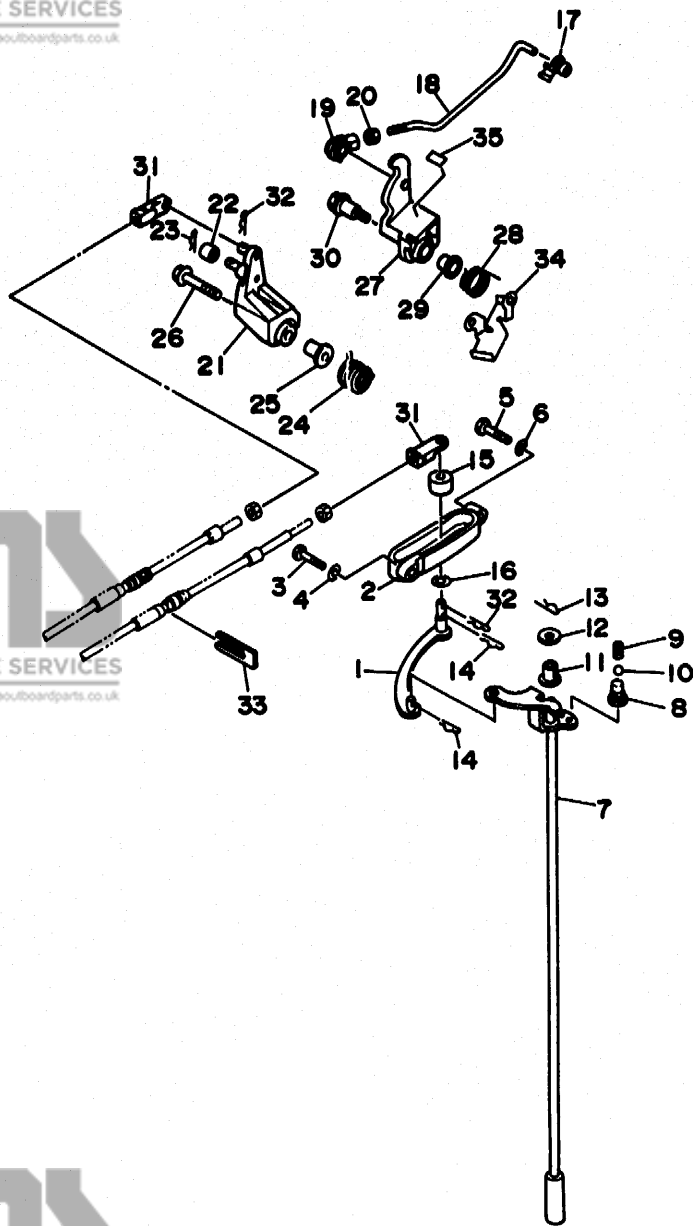


FIG. 16 CONTROL

COMMANDE

| REF. NO. | PART NO. NO. PIECES | DESCRIPTION DESCRIPTION | Q'TY QTE | REMARKS REMARQUES |
|----------|---------------------|---|----------|-------------------|
| 1 | 62Y-44121-00 | LEVER, SHIFT ROD LEVIER, TIGE D'INVERSION | 1 | |
| 2 | 62Y-44117-00-40 | BRACKET SUPPORT | 1 | |
| 3 | 97095-06020 | BOLT BOULON | 1 | |
| 4 | 92990-06600 | WASHER, PLATE RONDELLE, PLATE | 1 | |
| 5 | 97095-06025 | BOLT BOULON | 1 | |
| 6 | 92990-06600 | WASHER, PLATE RONDELLE, PLATE | 1 | |
| 7 | 62Y-44120-00 | HANDLE GEAR SHIFT ASSY LEVIER D'EMBRAYAGE | 1 | |
| 8 | 62Y-42715-00 | BUSHING COUSSINET | 1 | |
| 9 | 90501-12M00 | SPRING, COMPRESSION RESSORT, COMPRESSION | 1 | |
| 10 | 93505-16024 | BALL | 1 | |
| 11 | 90386-07M58 | BUSH DOUILLE | 1 | |
| 12 | 92990-08200 | WASHER, PLAIN RONDELLE, PLATE | 1 | |
| 13 | 90468-07M06 | CLIP JONC | 1 | |
| 14 | 90468-18008 | CLIP JONC | 2 | |
| 15 | 688-44122-00 | BUSHING, SHIFT ROD LEVER DOUILLE, LEVIER D'EMBRAYAGE | 1 | |
| 16 | 90202-07M07 | WASHER, PLATE RONDELLE, PLATE | 1 | |
| 17 | 6F5-41237-00 | JOINT, LINK RACCORD | 1 | |
| 18 | 62Y-41241-00 | ROD, LINK BIELLETTTE | 1 | UR |
| | 62Y-41241-10 | ROD, LINK BIELLETTTE | 1 | UR F45A |
| 19 | 6H1-41237-00 | JOINT, LINK RACCORD | 1 | UR |
| | 6H4-41237-00 | JOINT, LINK RACCORD | 1 | UR F45A |
| 20 | 95380-05700 | NUT ECROU | 1 | |
| 21 | 62Y-42154-00 | LEVER, THROTTLE CONTROL LEVIER DE COMMANDE D'AVANCE | 1 | |
| 22 | 62Y-42171-00 | BUSHING COUSSINET | 1 | |
| 23 | 91490-16010 | PIN, COTTER GOUPILLE | 1 | |
| 24 | 62Y-44135-00 | SPRING RESSORT | 1 | |
| 25 | 90387-06M45 | COLLAR COLLERETTE | 1 | |
| 26 | 95895-06030 | BOLT, FLANGE BOULON | 1 | |

E3

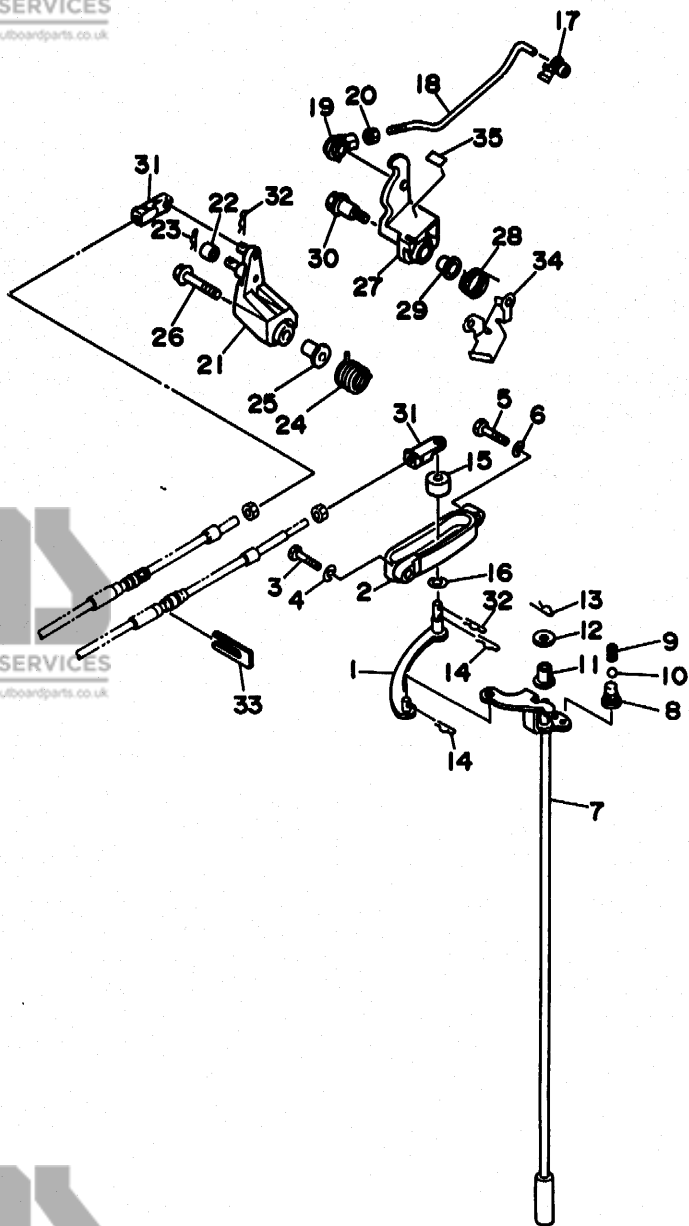


FIG. 16 CONTROL

COMMANDE

| REF. NO. | PART NO. NO. PIECES | DESCRIPTION DESCRIPTION | Q'TY QTE | REMARKS REMARQUES |
|----------|---------------------|--|----------|-------------------|
| 27 | 62Y-42335-00 | LEVER, ACCEL. CONTROL | 1 | UR |
| | 62Y-42335-10 | LEVIER, ACCELERATION | 1 | UR F45A |
| 28 | 62Y-44116-01 | SPRING RESSORT | 1 | |
| 29 | 90386-10009 | BUSH DOUILLE | 1 | |
| 30 | 90109-06M30 | BOLT BOULON | 1 | |
| 31 | 6G8-26363-00 | END, CABLE EMBOUT DE CABLE | 2 | |
| 32 | 90468-18008 | CLIP JONC | 2 | |
| 33 | 6H3-48538-00 | CLAMP, CABLE 1 COLLIER | 1 | |
| 34 | 62Y-42159-00 | STAY SUPPORT | 1 | |
| 35 | 6E5-42137-10 | INDICATOR, THROTTLE INDICATEUR, ACCELERATION | 1 | FOR JAPAN |

FWD
62YJA-5171

E4

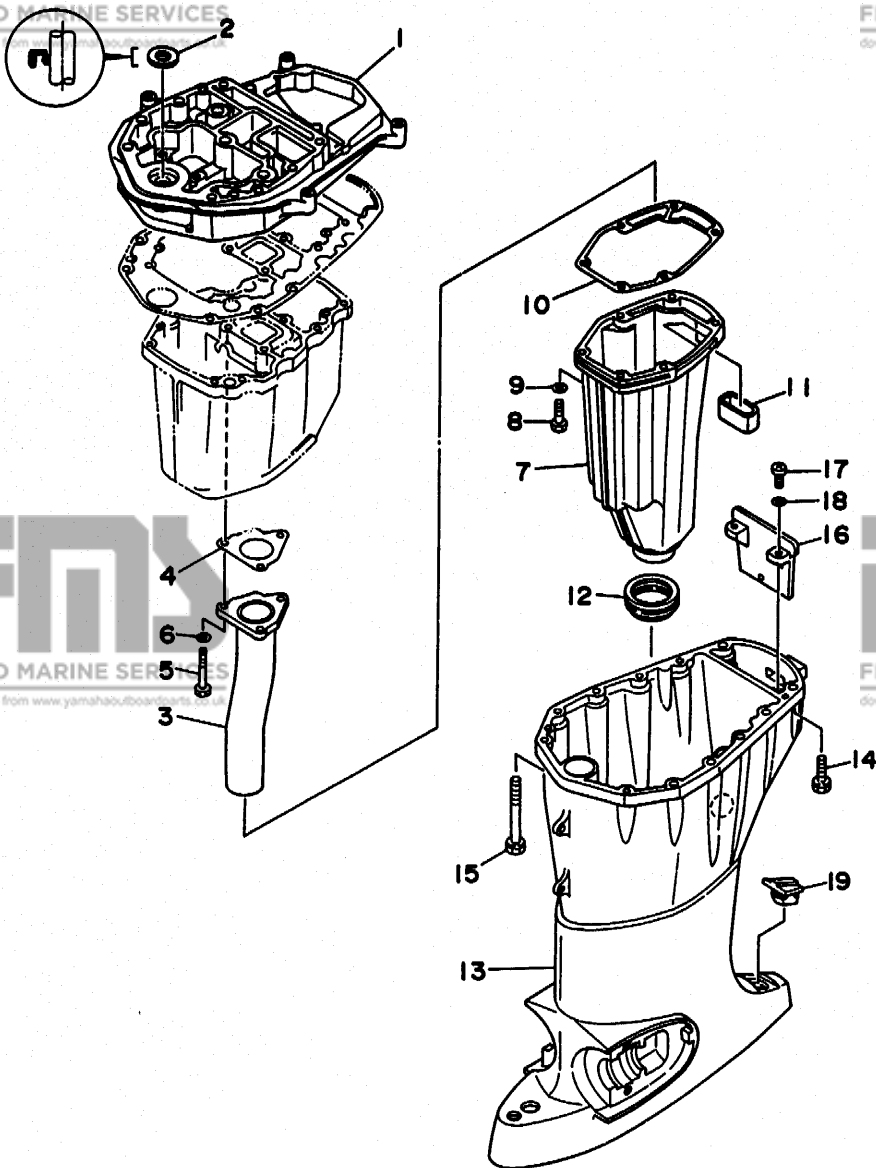
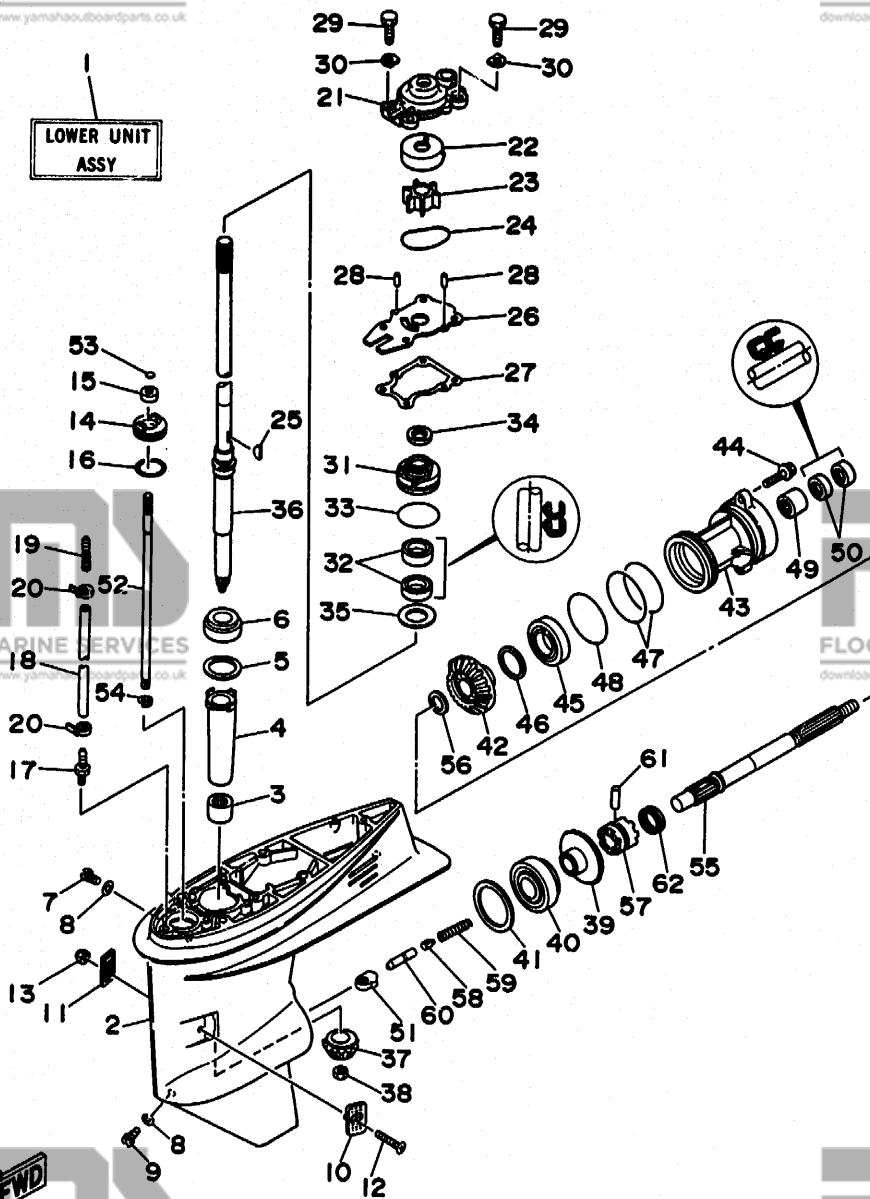


FIG. 17 UPPER CASING

FOURREAU

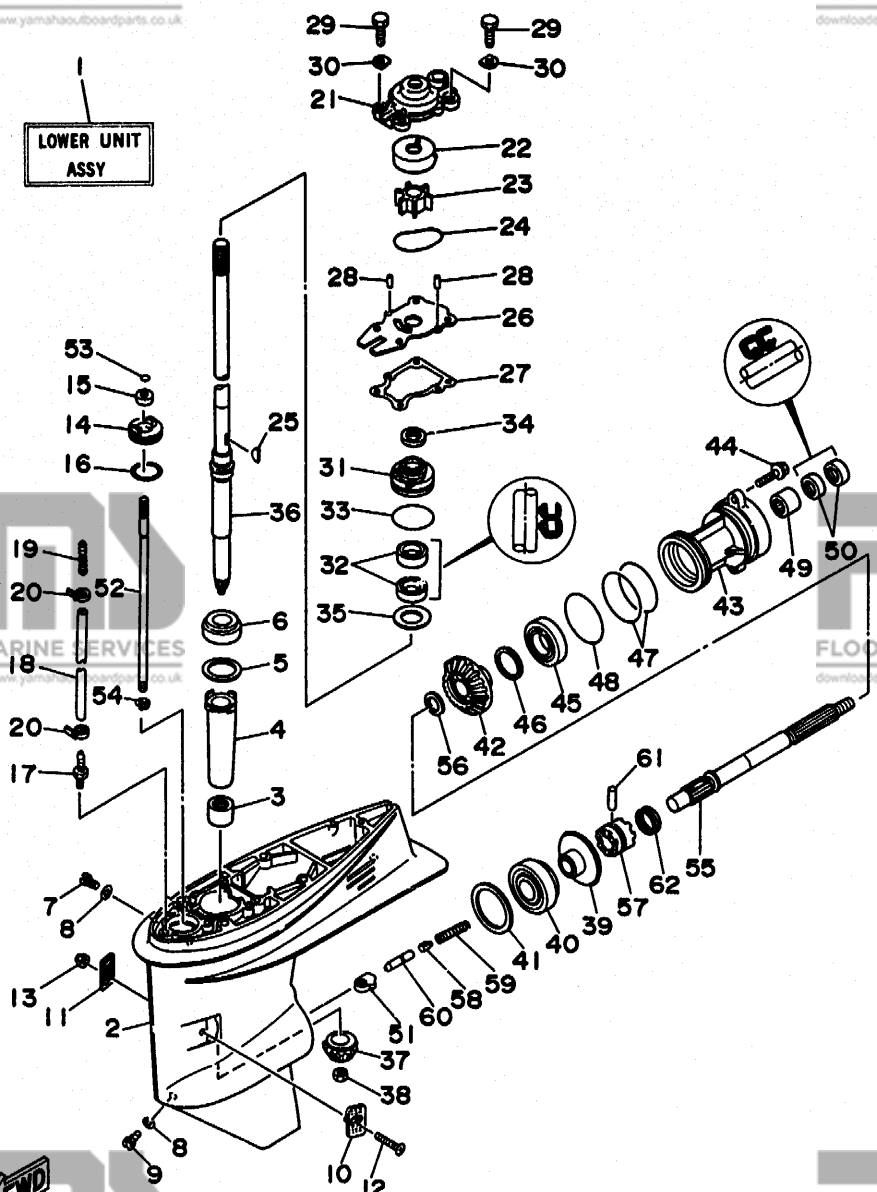
| REF. NO. | PART NO. NO. PIECES | DESCRIPTION DESCRIPTION | Q'TY QTE | REMARKS REMARQUES |
|----------|---------------------|--|----------|-------------------|
| 1 | 62Y-41137-00-94 | GUIDE, EXHAUST COLLECTEUR D'ÉCHAPPEMENT | 1 | |
| 2 | 93101-16M36 | OIL SEAL JOINT SPY | 1 | |
| 3 | 62Y-41131-00 | MANIFOLD, EXT. 1 PIPE D'ÉCHAPPEMENT | 1 | |
| 4 | 62Y-41133-00 | GASKET, EXHAUST MANIFOLD 1 JOINT, PIPE D'ÉCHAPPEMENT | 1 | |
| 5 | 97095-06045 | BOLT BOULON | 3 | |
| 6 | 92990-06600 | WASHER, PLATE RONDELLE, PLATE | 3 | |
| 7 | 62Y-14711-00-5B | MUFFLER 1 POT D'ÉCHAPPEMENT 1 | 1 | |
| 8 | 97095-06025 | BOLT BOULON | 6 | |
| 9 | 92990-06600 | WASHER, PLATE RONDELLE, PLATE | 6 | |
| 10 | 62Y-41134-00 | GASKET, EXHAUST MANIFOLD JOINT, PIPE D'ÉCHAPPEMENT | 1 | |
| 11 | 62Y-45127-00 | SEAL JOINT | 1 | |
| 12 | 663-45123-00 | GASKET, MUFFLER JOINT, POT DE DETENTE | 1 | |
| 13 | 62Y-45111-00-4D | CASING, UPPER FOURREAU | 1 | |
| 14 | 90119-08M79 | BOLT, WITH WASHER BOULON, AVEC RONDELLE | 4 | |
| 15 | 90119-08M82 | BOLT, WITH WASHER BOULON, AVEC RONDELLE | 8 | |
| 16 | 62Y-45151-00 | COVER, UPPER CASING CAPUCHON, FOURREAU | 1 | |
| 17 | 98580-05016 | SCREW, PAN HEAD VIS | 2 | |
| 18 | 92990-05600 | WASHER, PLATE RONDELLE, PLATE | 2 | |
| 19 | 6H3-45155-00 | CAP CAPUCHON | 1 | |

FIG. 18 LOWER CASING, DRIVE 1 (F50A/F45A)
FIG. 18 BOITIER D'HELICE, TRANSMISSION 1 (F50A/F45A)



| REF. NO. | PART NO. NO. PIECES | DESCRIPTION DESCRIPTION | Q'TY QTE | REMARKS REMARQUES |
|----------|---------------------|--|----------|-------------------|
| 1 | 62Y-45300-10-4D | LOWER UNIT ASSY UNITE INFERIEURE (ENS.) | 1 | (REF.NO. 2 ~ 62) |
| 2 | 63D-45301-01-4D | CASING, LOWER BEQUILLE | 1 | |
| 3 | 93315-32224 | BEARING, CYLINDRICAL ROULEMENT | 1 | |
| 4 | 6H4-45536-00 | SLEEVE, DRIVE SHAFT MANCHON, ARBRE MOTEUR | 1 | |
| 5 | 663-45587-01-10 | SHIM (T:0.10MM) CALE (T:0.10MM) | 1 | UR |
| | 663-45587-01-12 | SHIM (T:0.12MM) CALE (T:0.12MM) | 1 | UR |
| | 663-45587-01-15 | SHIM (T:0.15MM) CALE (T:0.15MM) | 1 | UR |
| | 663-45587-01-18 | SHIM (T:0.18MM) CALE (T:0.18MM) | 1 | UR |
| | 663-45587-01-30 | SHIM (T:0.30MM) CALE (T:0.30MM) | 1 | UR |
| | 663-45587-01-40 | SHIM (T:0.40MM) CALE (T:0.40MM) | 1 | UR |
| | 663-45587-01-50 | SHIM (T:0.50MM) CALE (T:0.50MM) | 1 | UR |
| 6 | 93332-00079 | BEARING ROULEMENT | 1 | |
| 7 | 90340-08M04 | PLUG, STRAIGHT SCREW | 1 | |
| 8 | 90430-08020 | PLOT, FILETE DROIT GASKET JOINT | 2 | |
| 9 | 688-45341-00 | PLUG, DRAIN BOUCHON DE VIDANGE | 1 | |
| 10 | 63D-45214-00 | COVER, WATER INLET GRILLE, ENTREE D'EAU | 1 | |
| 11 | 63D-45215-00 | COVER, WATER INLET GRILLE, ENTREE D'EAU | 1 | |
| 12 | 90142-05M06 | SCREW, COUNTERSUNK VIS, TETE NOYEE | 1 | |
| 13 | 95380-05600 | NUT ECROU | 1 | |
| 14 | 63D-45321-00 | PLATE PLAQUETTE | 1 | |
| 15 | 93106-09014 | OIL SEAL JOINT SPY | 1 | |
| 16 | 93210-33MG4 | O-RING JOINT TORIQUE | 1 | |
| 17 | 6E5-45378-00 | NIPPLE, HOSE RACCORD, TUYAU | 1 | |
| 18 | 90445-07M31 | HOSE DURITE | 1 | |
| 19 | 6E5-83558-10 | END, NIPPLE RACCORD DE NIPPLE | 1 | |
| 20 | 90465-11M10 | CLAMP BRIDE | 2 | |
| 21 | 63D-44311-00 | HOUSING, WATER PUMP CORPS, POMPE A EAU | 1 | |
| 22 | 63D-44322-00 | INSERT, CARTRIDGE CUVETTE | 1 | |

FIG. 18 LOWER CASING. DRIVE 1 (F50A/F45A)
FIG. 18 BOITIER D'HELICE, TRANSMISSION 1 (F50A/F45A)

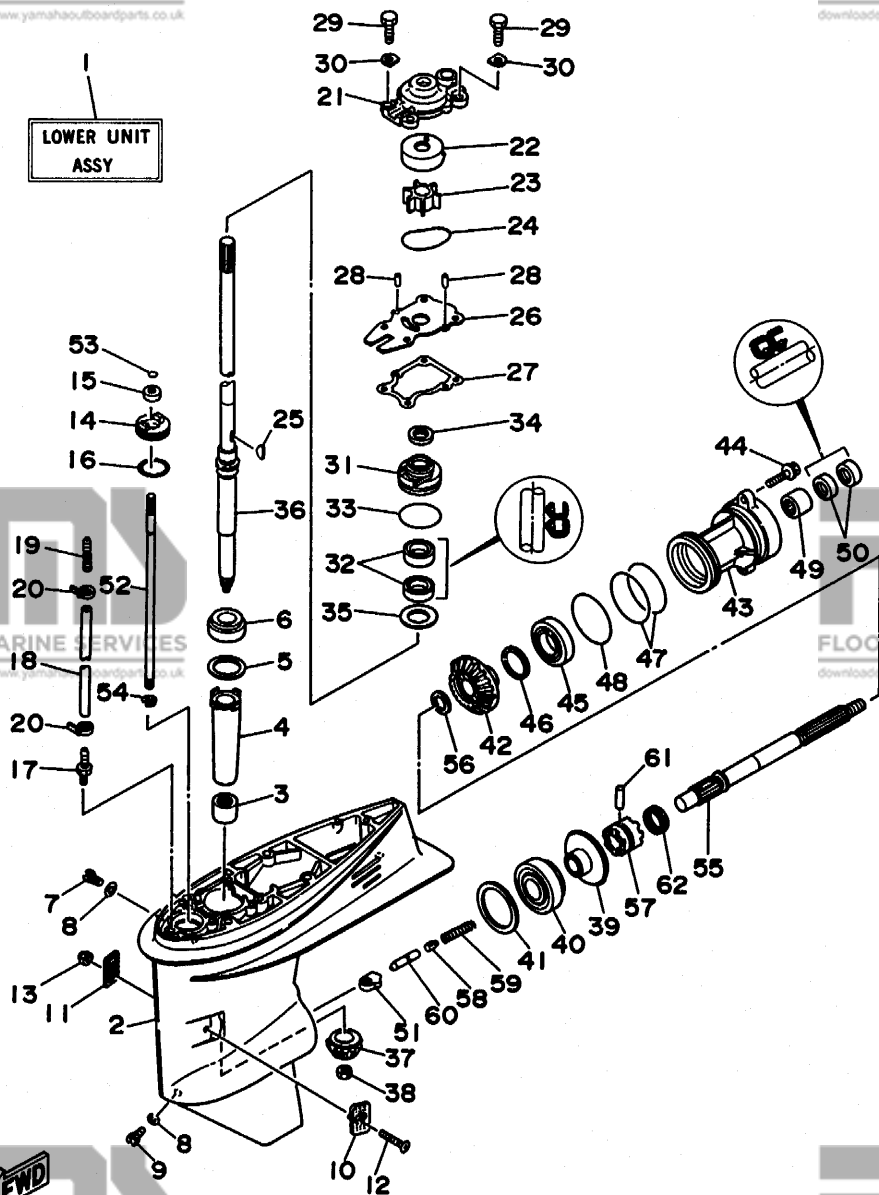


| REF. NO. | PART NO. NO. PIECES | DESCRIPTION DESCRIPTION | Q'TY QTE | REMARKS REMARQUES |
|----------|---------------------|---|----------|-------------------|
| 23 | 6H3-44352-00 | IMPELLER TURBINE | 1 | |
| 24 | 93210-59MG7 | O-RING JOINT TORIQUE | 1 | |
| 25 | 90280-03024 | KEY, WOODRUFF CLAVETTE, DEMI-LUNE | 1 | |
| 26 | 63D-44323-00 | OUTER PLATE, CARTRIDGE PLAQUE EXTERIEURE | 1 | |
| 27 | 63D-44316-00 | GASKET, WATER PUMP JOINT, POMPE A EAU | 1 | |
| 28 | 93604-08062 | PIN, DOWEL CLAVETTE | 2 | |
| 29 | 97095-08030 | BOLT BOULON | 4 | |
| 30 | 90209-08M02 | WASHER RONDELLE | 4 | |
| 31 | 63D-44341-00 | HOUSING, WATER PUMP CORPS, POMPE A EAU | 1 | |
| 32 | 93101-25M57 | OIL SEAL JOINT SPY | 2 | |
| 33 | 93210-48MG8 | O-RING JOINT TORIQUE | 1 | |
| 34 | 63D-45344-00 | COVER, OIL SEAL FLASQE, JOINT D'HUILE | 1 | |
| 35 | 90201-27M00 | WASHER, PLATE RONDELLE, PLATE | 1 | |
| 36 | 62Y-45501-10 | DRIVE SHAFT COMP. ARBRE MOTEUR COMP. | 1 | |
| 37 | 6H4-45551-01 | PINION PIGNON D'ATTAQUE | 1 | |
| 38 | 90170-12138 | NUT ECROU | 1 | |
| 39 | 6H4-45560-01 | GEAR PIGNON | 1 | |
| 40 | 93332-00003 | BEARING ROULEMENT | 1 | |
| 41 | 663-45567-01-10 | SHIM (T:0.10MM) CALE (T:0.10MM) | 1 UR | |
| | 663-45567-01-12 | SHIM (T:0.12MM) CALE (T:0.12MM) | 1 UR | |
| | 663-45567-01-15 | SHIM (T:0.15MM) CALE (T:0.15MM) | 1 UR | |
| | 663-45567-01-18 | SHIM (T:0.18MM) CALE (T:0.18MM) | 1 UR | |
| | 663-45567-01-30 | SHIM (T:0.30MM) CALE (T:0.30MM) | 1 UR | |
| | 663-45567-01-40 | SHIM (T:0.40MM) CALE (T:0.40MM) | 1 UR | |
| | 663-45567-01-50 | SHIM (T:0.50MM) CALE (T:0.50MM) | 1 UR | |
| 42 | 6H4-45571-01 | GEAR PIGNON | 1 | |
| 43 | 63D-45361-01-4D | CAP, LOWER CASING COUVERCLE, BOITIER D'HELICE | 1 | |
| 44 | 90105-08M61 | BOLT, WASHER BASED BOULON, AVEC RONDELLE | 2 | |

E7

FIG. 18 LOWER CASING, DRIVE 1 (F50A/F45A)
FIG. 18 BOITIER D'HELICE, TRANSMISSION 1 (F50A/F45A)

| REF. NO. | PART NO. NO. PIECES | DESCRIPTION DESCRIPTION | Q'TY QTE | REMARKS REMARQUES |
|----------|---------------------|--|----------|-------------------|
| 45 | 93306-001U1 | BEARING ROULEMENT | 1 | |
| 46 | 63D-45577-00-10 | SHIM (T:0.10MM) CALE (T:0.10MM) | 1 UR | |
| | 63D-45577-00-12 | SHIM (T:0.12MM) CALE (T:0.12MM) | 1 UR | |
| | 63D-45577-00-15 | SHIM (T:0.15MM) CALE (T:0.15MM) | 1 UR | |
| | 63D-45577-00-18 | SHIM (T:0.18MM) CALE (T:0.18MM) | 1 UR | |
| | 63D-45577-00-30 | SHIM (T:0.30MM) CALE (T:0.30MM) | 1 UR | |
| | 63D-45577-00-40 | SHIM (T:0.40MM) CALE (T:0.40MM) | 1 UR | |
| | 63D-45577-00-50 | SHIM (T:0.50MM) CALE (T:0.50MM) | 1 UR | |
| 47 | 93210-74MG5 | O-RING JOINT TORIQUE | 2 | |
| 48 | 93210-69MG6 | O-RING JOINT TORIQUE | 1 | |
| 49 | 93317-22204 | BEARING, CYLINDRICAL PIECE | 1 | |
| 50 | 93101-22067 | OIL SEAL JOINT SPY | 2 | |
| 51 | 663-44151-00 | CAM, SHIFT CAME, INVERSION | 1 | |
| 52 | 63D-44144-00 | ROD, SHIFT TIGE D'EMBRAYAGE | 1 | |
| 53 | 93210-07540 | O-RING JOINT TORIQUE | 1 | |
| 54 | 99001-08600 | CIRCLIP CIRCLIP | 1 | |
| 55 | 63D-45611-00 | SHAFT, PROPELLER ARBRE, HELICE | 1 | |
| 56 | 90201-22429 | WASHER, PLATE RONDELLE, PLATE | 1 | |
| 57 | 63D-45631-00 | CLUTCH, DOG CRABOT | 1 | |
| 58 | 663-45634-00 | SLIDE, SHIFT CONTRE-POUSSOIR | 1 | |
| 59 | 90501-16M01 | SPRING, COMPRESSION RESSORT, COMPRESSION | 1 | |
| 60 | 63D-45635-00 | PLUNGER, SHIFT POUSSOIR D'EMBRAYAGE | 1 | |
| 61 | 90250-06023 | PIN, STRAIGHT GOUPILLE, DROITE | 1 | |
| 62 | 663-45633-00 | RING, CROSS PIN JONC, GOUPILLE CRABOT | 1 | |



63CJA-5191

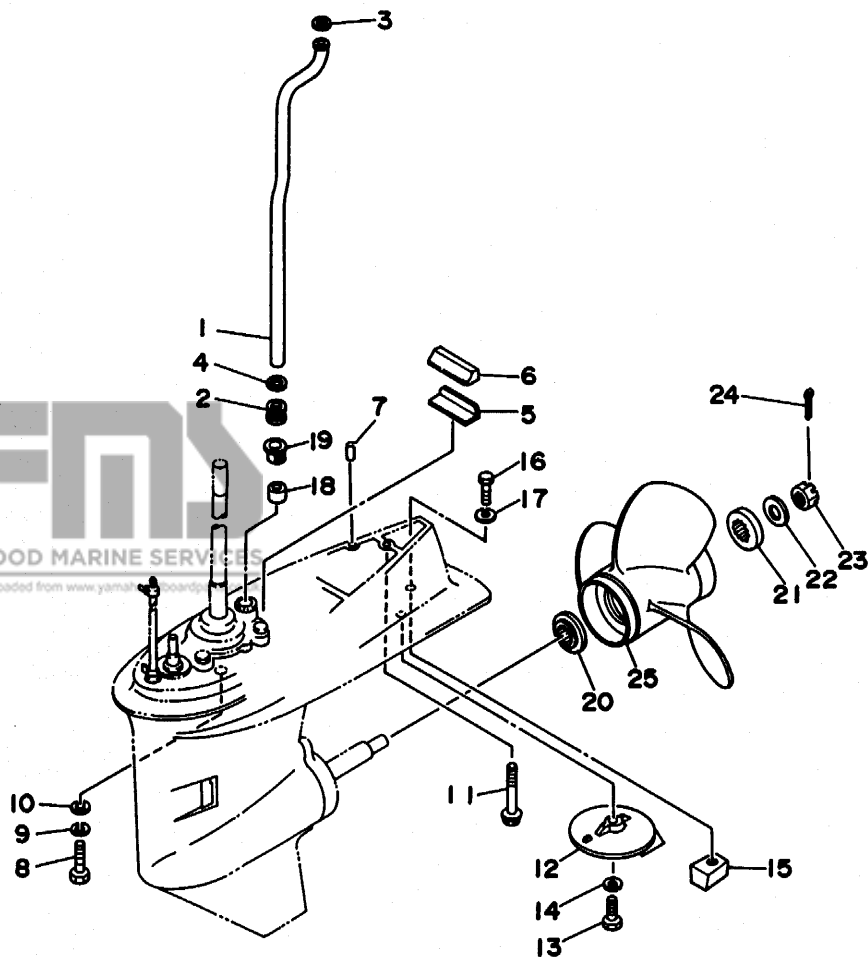


FIG. 19 LOWER CASING, DRIVE 2 (F50A/F45A)
FIG. 19 BOITIER D'HELICE, TRANSMISSION 2 (F50A/F45A)

| REF. NO. | PART NO. NO. PIECES | DESCRIPTION DESCRIPTION | Q'TY QTE | REMARKS REMARQUES |
|----------|---------------------|--|----------|-------------------|
| 1 | 62Y-44361-00 | TUBE, WATER TUBE D'EAU | 1 | |
| 2 | 663-44367-00 | DAMPER, WATER SEAL JOINT TUBE D'EAU | 1 | |
| 3 | 90202-12060 | WASHER, PLATE RONDELLE, PLATE | 1 | |
| 4 | 90430-12072 | GASKET JOINT | 1 | |
| 5 | 663-45376-00-94 | GUIDE, SEAL DAMPER BUTEE, JOINT CAOUTCHOUC | 1 | |
| 6 | 63D-45375-00 | DAMPER, SEAL BOURRELET, CAOUTCHOUC | 1 | |
| 7 | 93606-12019 | PIN, DOWEL GOUPILLE | 2 | |
| 8 | 97095-10040 | BOLT BOULON | 4 | |
| 9 | 92990-10100 | WASHER, SPRING RONDELLE, GROWER | 4 | |
| 10 | 92990-10600 | WASHER, PLATE RONDELLE, PLATE | 4 | |
| 11 | 90119-08M84 | BOLT, WITH WASHER BOULON, AVEC RONDELLE | 1 | |
| 12 | 664-45371-01 | TAB-TRIM ANODE DERIVE | 1 | |
| 13 | 97095-08025 | BOLT BOULON | 1 | |
| 14 | 92995-08100 | WASHER RONDELLE | 1 | |
| 15 | 63D-45251-10 | ANODE ANODE | 1 | |
| 16 | 97095-08020 | BOLT BOULON | 1 | |
| 17 | 92995-08100 | WASHER RONDELLE | 1 | |
| 18 | 663-44366-00 | DAMPER, WATER SEAL JOINT, TUBE D'EAU | 1 | |
| 19 | 63D-44312-00 | COVER, WATER PUMP HOUSING COUVERCLE | 1 | |
| 20 | 663-45987-02 | SPACER ENTRETOISE | 1 | |
| 21 | 670-45997-02 | SPACER ENTRETOISE | 1 | |
| 22 | 92990-16200 | WASHER, PLAIN RONDELLE, PLATE | 1 | |
| 23 | 90171-16011 | NUT, CASTLE ECROU, CRENELE | 1 | |
| 24 | 91490-30030 | PIN, COTTER GOUPILLE | 1 | |
| 25 | 663-45945-02-EL | PROPELLER (3X11-1/8"X13"-G) HELICE (3X11-1/8"X13"-G) | 1 UR | |
| | 663-45941-01-EL | PROPELLER (3X10-3/4"X17"-G) HELICE (3X10-3/4"X17"-G) | 1 UR | |
| | 663-45947-02-EL | PROPELLER (3X11-5/8"X11"-G) HELICE (3X11-5/8"X11"-G) | 1 UR | |
| | 663-45949-01-EL | PROPELLER (3X10-3/4"X16"-G) HELICE (3X10-3/4"X16"-G) | 1 UR | |

FIG. 19 LOWER CASING, DRIVE 2 (F50A/F45A)
FIG. 19 BOITIER D'HELICE, TRANSMISSION 2 (F50A/F45A)

| REF. NO. | PART NO. NO. PIECES | DESCRIPTION DESCRIPTION | Q'TY QTE | REMARKS REMARQUES |
|----------|---------------------|--|----------|-------------------|
| 25 | 663-45952-02-EL | PROPELLER (3X11-3/8"X12"-G) HELICE (3X11-3/8"X12"-G) | 1 UR | |
| | 663-45956-01-EL | PROPELLER (3X12-1/4"X9"-G) HELICE (3X12-1/4"X9"-G) | 1 UR | |
| | 663-45958-01-EL | PROPELLER (3X11-1/4"X14"-G) HELICE (3X11-1/4"X14"-G) | 1 UR | |
| | 6H5-45952-00-EL | PROPELLER (3X10-5/8"X12"-G) HELICE (3X10-5/8"X12"-G) | 1 UR | |
| | 6H5-45945-00-EL | PROPELLER (3X10-3/8"X13"-G) HELICE (3X10-3/8"X13"-G) | 1 UR | |
| | 6H5-45958-00-EL | PROPELLER (3X10-1/4"X14"-G) HELICE (3X10-1/4"X14"-G) | 1 UR | |
| | 6H5-45943-00-EL | PROPELLER (3X10"X15"-G) HELICE (3X10"X15"-G) | 1 UR | |
| | | STAINLESS STEEL PROPELLER ACIER INOXYDABLE HELICE | | |
| | 663-45970-60-98 | PROPELLER (3X11-3/4"X12"-G) HELICE (3X11-3/4"X12"-G) | 1 UR | |
| | 663-45972-60-98 | PROPELLER (3X12"X11"-G) HELICE (3X12"X11"-G) | 1 UR | |
| | 663-45974-60-98 | PROPELLER (3X11-1/2"X13"-G) HELICE (3X11-1/2"X13"-G) | 1 UR | |
| | 697-45970-00-98 | PROPELLER (3X11-1/4"X14"-G) HELICE (3X11-1/4"X14"-G) | 1 UR | |
| | 663-45976-00-98 | PROPELLER (3X10-1/4"X15"-G) HELICE (3X10-1/4"X15"-G) | 1 UR | |
| | 663-45978-00-98 | PROPELLER (3X10-1/4"X16"-G) HELICE (3X10-1/4"X16"-G) | 1 UR | |
| | 663-45930-00-98 | PROPELLER (3X10-1/4"X14"-G) HELICE (3X10-1/4"X14"-G) | 1 UR | |
| | 663-45974-02-98 | PROPELLER (3X10-5/8"X13"-G) HELICE (3X10-5/8"X13"-G) | 1 UR | |

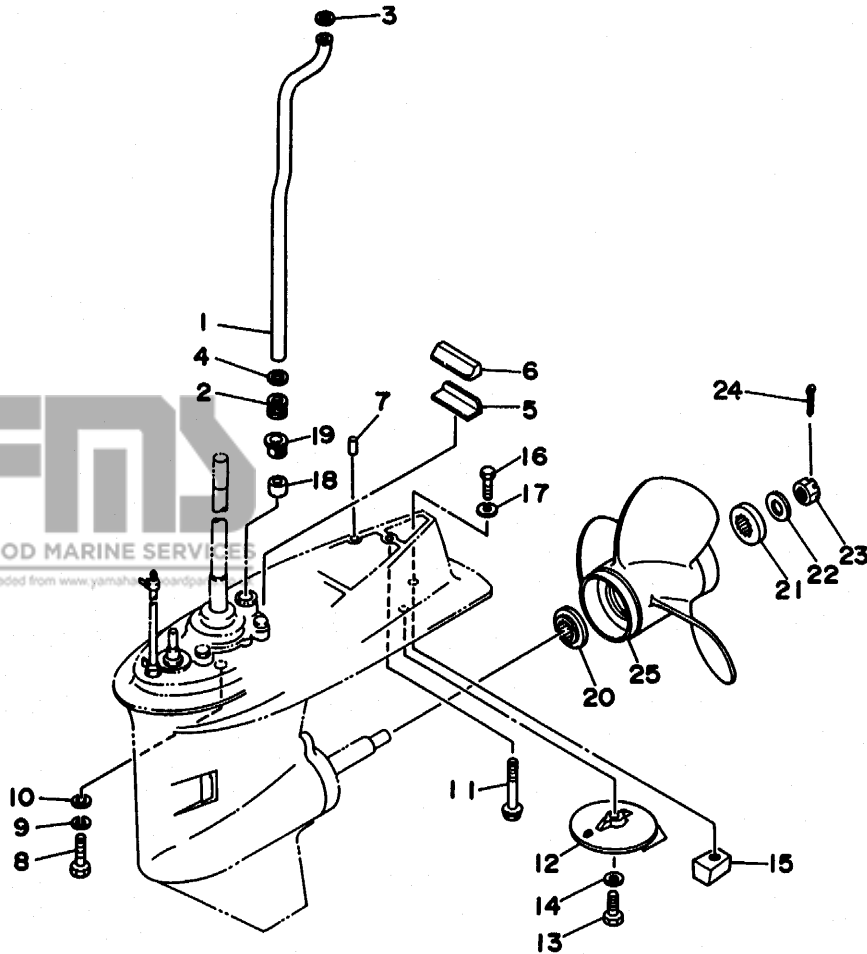
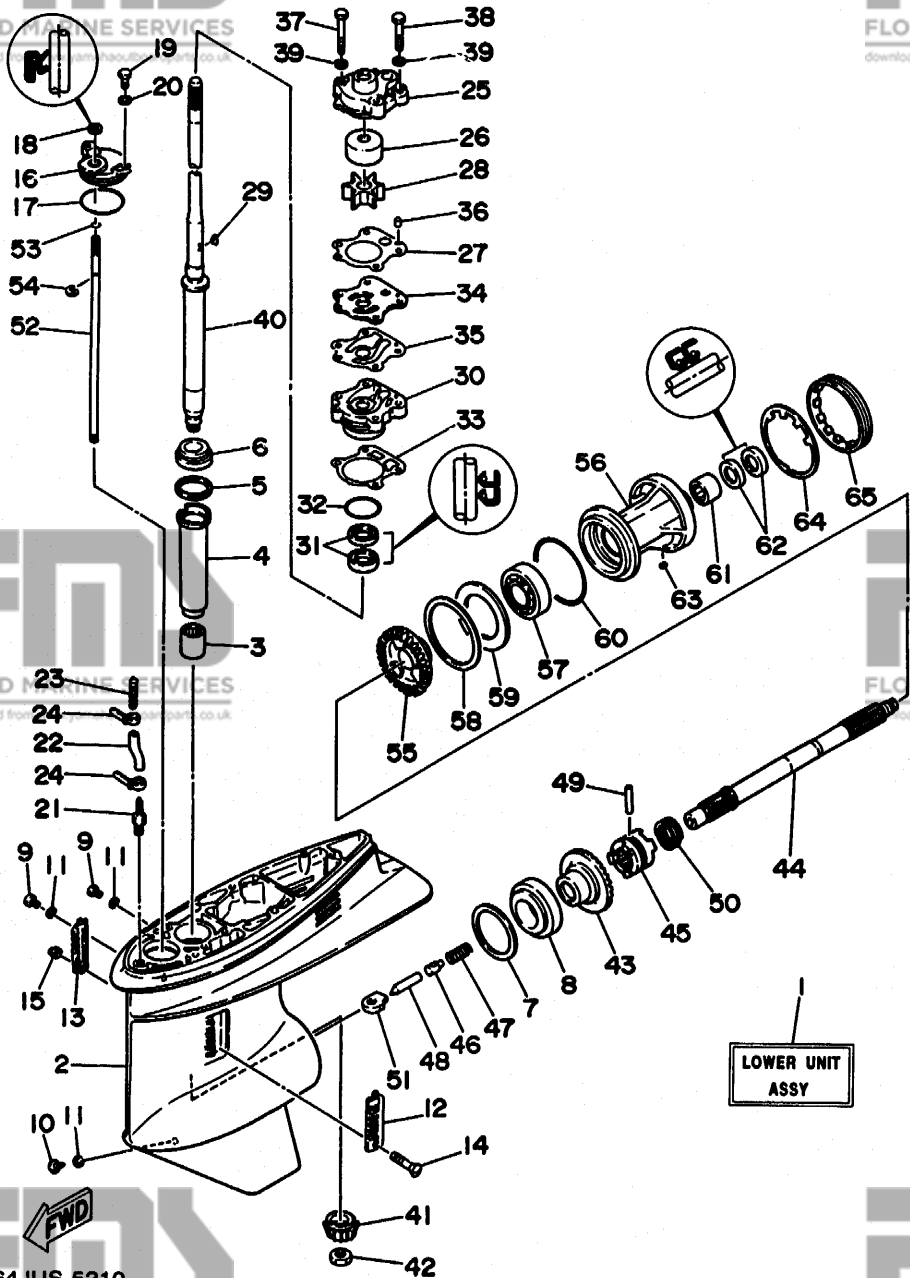


FIG. 20 LOWER CASING. DRIVE 3 (F50B)
FIG. 20 BOITIER D'HELICE, TRANSMISSION 3 (F50B)



64JUS-5210

| REF. NO. | PART NO. NO. PIECES | DESCRIPTION DESCRIPTION | Q'TY QTE | REMARKS REMARQUES |
|----------|---------------------|--|----------|-------------------|
| 1 | 64J-45300-10-4D | LOWER UNIT ASSY UNITE INFERIEURE (ENS.) (REF.NO. 2 ~ 65) | 1 | |
| 2 | 6H1-45301-12-4D | CASING, LOWER BEQUILLE | 1 | |
| 3 | 93315-325V1 | BEARING, CYLINDRICAL ROULEMENT | 1 | |
| 4 | 688-45536-01 | SLEEVE, DRIVE SHAFT MANCHON, ARBRE MOTEUR | 1 | |
| 5 | 688-45587-01-10 | SHIM (T:0.10MM) CALE (T:0.10MM) | 1 | UR |
| | 688-45587-01-12 | SHIM (T:0.12MM) CALE (T:0.12MM) | 1 | UR |
| | 688-45587-01-15 | SHIM (T:0.15MM) CALE (T:0.15MM) | 1 | UR |
| | 688-45587-01-18 | SHIM (T:0.18MM) CALE (T:0.18MM) | 1 | UR |
| | 688-45587-01-30 | SHIM (T:0.30MM) CALE (T:0.30MM) | 1 | UR |
| | 688-45587-01-40 | SHIM (T:0.40MM) CALE (T:0.40MM) | 1 | UR |
| | 688-45587-01-50 | SHIM (T:0.50MM) CALE (T:0.50MM) | 1 | UR |
| 6 | 93332-000U3 | BEARING ROULEMENT | 1 | |
| 7 | 688-45567-01-10 | SHIM (T:0.10MM) CALE (T:0.10MM) | 1 | UR |
| | 688-45567-01-12 | SHIM (T:0.12MM) CALE (T:0.12MM) | 1 | UR |
| | 688-45567-01-15 | SHIM (T:0.15MM) CALE (T:0.15MM) | 1 | UR |
| | 688-45567-01-18 | SHIM (T:0.18MM) CALE (T:0.18MM) | 1 | UR |
| | 688-45567-01-30 | SHIM (T:0.30MM) CALE (T:0.30MM) | 1 | UR |
| | 688-45567-01-40 | SHIM (T:0.40MM) CALE (T:0.40MM) | 1 | UR |
| | 688-45567-01-50 | SHIM (T:0.50MM) CALE (T:0.50MM) | 1 | UR |
| 8 | 93332-000W7 | BEARING ROULEMENT | 1 | |
| 9 | 90340-08M04 | PLUG, STRAIGHT SCREW PLOT, FILETE DROIT | 2 | |
| 10 | 688-45341-00 | PLUG, DRAIN BOUCHON DE VIDANGE | 1 | |
| 11 | 90430-08020 | GASKET JOINT | 3 | |
| 12 | 688-45214-02 | COVER, WATER INLET GRILLE, ENTREE D'EAU | 1 | |
| 13 | 688-45215-02 | COVER, WATER INLET GRILLE, ENTREE D'EAU | 1 | |
| 14 | 98780-05545 | SCREW, FLAT HEAD VIS A TETE FRAISEE | 1 | |
| 15 | 90185-05904 | NUT, SELF-LOCKING ECROU, AUTO-BLOCANT | 1 | |

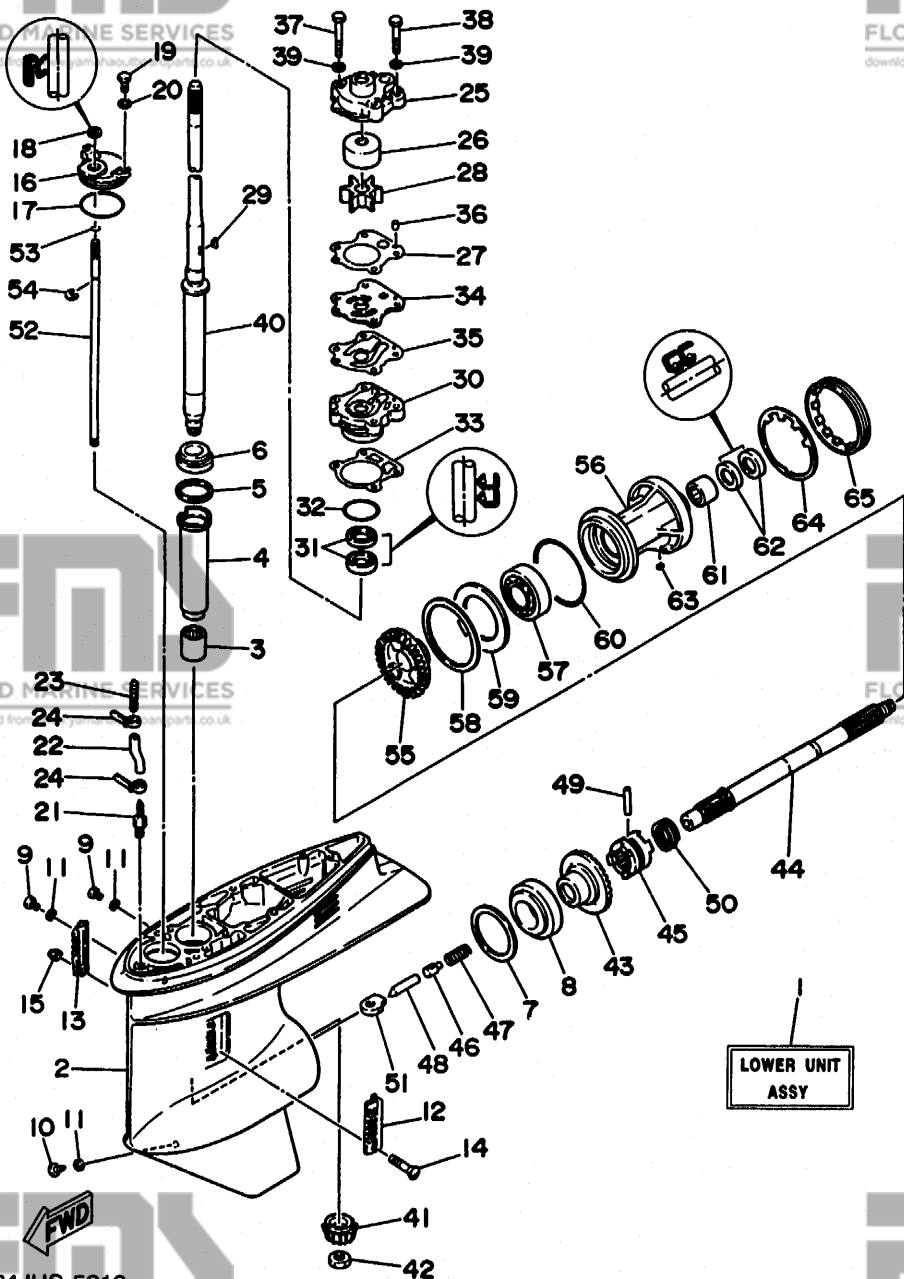
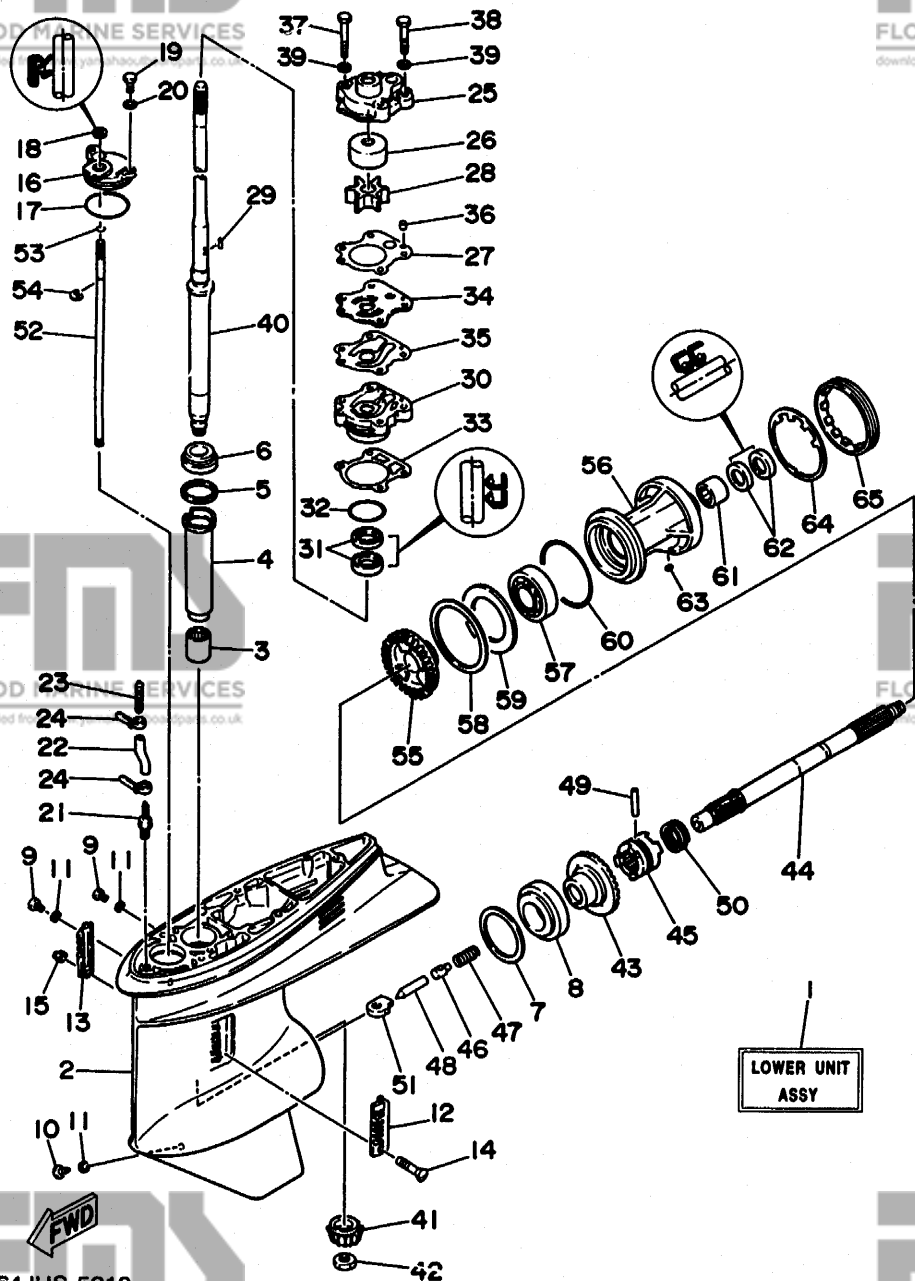


FIG. 20 LOWER CASING, DRIVE 3 (F50B)
FIG. 20 BOITIER D'HELICE, TRANSMISSION 3 (F50B)

| REF. NO. | PART NO. NO. PIECES | DESCRIPTION DESCRIPTION | Q'TY QTE | REMARKS REMARQUES |
|----------|---------------------|---|----------|-------------------|
| 16 | 688-45321-00 | PLATE PLAQUETTE | 1 | |
| 17 | 93210-49046 | O-RING | 1 | |
| 18 | 93106-09014 | JOINT TORIQUE OIL SEAL | 1 | |
| 19 | 97095-06016 | JOINT SPY BOLT | 2 | |
| 20 | 92990-06600 | BOULON WASHER, PLATE | 2 | |
| 21 | 6E5-45378-00 | RONDELLE, PLATE NIPPLE, HOSE | 1 | |
| 22 | 90445-07M31 | RACCORD, TUYAU HOSE | 1 | |
| 23 | 6E5-83558-10 | DURITE END, NIPPLE | 1 | |
| 24 | 90465-11M10 | RACCORD DE NIPPLE CLAMP | 2 | |
| 25 | 6H3-44311-00 | BRIDE HOUSING, WATER PUMP | 1 | |
| 26 | 663-44322-00 | CORPS, POMPE A EAU INSERT, CARTRIDGE | 1 | |
| 27 | 6H3-44315-A0 | CUVETTE GASKET, WATER PUMP | 1 | |
| 28 | 6H3-44352-00 | JOINT, POMPE A EAU IMPELLER | 1 | |
| 29 | 90230-03M03 | TURBINE KEY, WOODRUFF | 1 | |
| 30 | 6H3-44341-00-94 | CLAVETTE, DEMI-LUNE HOUSING, WATER PUMP | 1 | |
| 31 | 93101-23070 | CORPS, POMPE A EAU OIL SEAL | 2 | |
| 32 | 93210-46044 | JOINT SPY O-RING | 1 | |
| 33 | 688-44316-A0 | JOINT TORIQUE GASKET, WATER PUMP | 1 | |
| 34 | 6H3-44323-00 | JOINT, POMPE A EAU OUTER PLATE, CARTRIDGE | 1 | |
| 35 | 6H3-44324-A0 | PLAQUE EXTERIEURE GASKET, CARTRIDGE | 1 | |
| 36 | 93604-10M03 | JOINT PIN, DOWEL | 2 | |
| 37 | 97095-08055 | CLAVETTE BOLT | 2 | |
| 38 | 97095-08045 | BOULON BOLT | 2 | |
| 39 | 90209-08M02 | BOULON WASHER | 4 | |
| 40 | 64J-45501-10 | RONDELLE DRIVE SHAFT COMP. | 1 | |
| 41 | 6K5-45551-00 | ARBRE MOTEUR COMP. PINION (12T) | 1 | |
| 42 | 90170-16M01 | PIGNON D'ATTAQUE (12D) NUT | 1 | |
| 43 | 6K5-45560-00 | ECROU GEAR (28T) PIGNON (28D) | 1 | |

64JUS-5210

F5

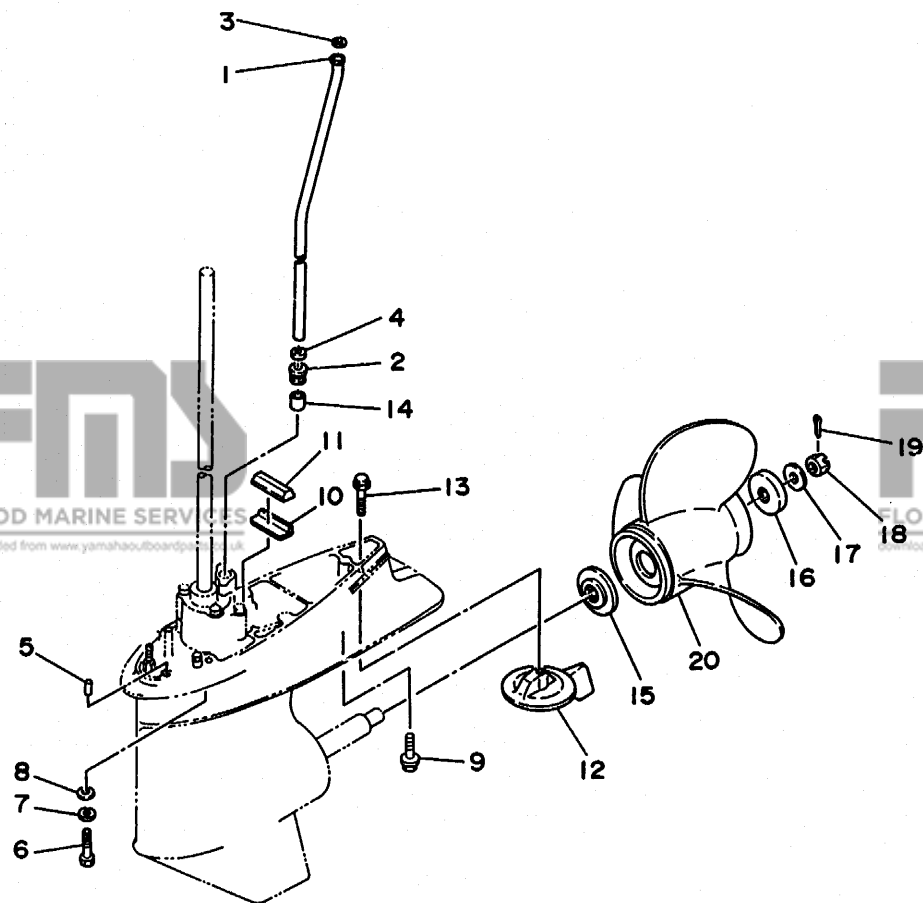


64JUS-5210

FIG. 20 LOWER CASING, DRIVE 3 (F50B)
 FIG. 20 BOITIER D'HELICE, TRANSMISSION 3 (F50B)

| REF. NO. | PART NO. NO. PIECES | DESCRIPTION DESCRIPTION | Q'TY QTE | REMARKS REMARQUES |
|----------|---------------------|--|----------|-------------------|
| 44 | 688-45611-01 | SHAFT, PROPELLER ARBRE, HELICE | 1 | |
| 45 | 688-45631-01 | CLUTCH, DOG CRABOT | 1 | |
| 46 | 688-45634-00 | SLIDE, SHIFT CONTRE-POUSSOIR | 1 | |
| 47 | 90501-16233 | SPRING, COMPRESSION RESSORT, COMPRESSION | 1 | |
| 48 | 688-45635-00 | PLUNGER, SHIFT POUSSOIR D'EMBRAYAGE | 1 | |
| 49 | 90250-07M02 | PIN, STRAIGHT GOUPILLE, DROITE | 1 | |
| 50 | 688-45633-00 | RING, CROSS PIN JONC, GOUPILLE CRABOT | 1 | |
| 51 | 663-44151-00 | CAM, SHIFT CAM, INVERSION | 1 | |
| 52 | 6K5-44144-00 | ROD, SHIFT TIGE D'EMBRAYAGE | 1 | |
| 53 | 93210-07540 | O-RING JOINT TORIQUE | 1 | |
| 54 | 99001-08600 | CIRCLIP CIRCLIP | 1 | |
| 55 | 6K5-45571-00 | GEAR (28T) PIGNON (28D) | 1 | |
| 56 | 688-45331-00-94 | HOUSING, BEARING FLASQUE, ROULEMENT | 1 | |
| 57 | 93306-207U0 | BEARING ROULEMENT | 1 | |
| 58 | 688-45577-01-10 | SHIM (T:0.10MM) | 1 | UR |
| | 688-45577-01-12 | CALE (T:0.12MM) | 1 | UR |
| | 688-45577-01-15 | SHIM (T:0.15MM) | 1 | UR |
| | 688-45577-01-18 | CALE (T:0.18MM) | 1 | UR |
| | 688-45577-01-30 | SHIM (T:0.30MM) | 1 | UR |
| | 688-45577-01-40 | CALE (T:0.40MM) | 1 | UR |
| | 688-45577-01-50 | SHIM (T:0.50MM) | 1 | UR |
| | | CALE (T:0.50MM) | | |
| 59 | 688-45576-00 | WASHER, THRUST RONDELLE DE CALAGE | 1 | |
| 60 | 93210-85M97 | O-RING JOINT TORIQUE | 1 | |
| 61 | 93317-325U0 | BEARING, CYLINDRICAL PIECE | 1 | |
| 62 | 93101-25M03 | OIL SEAL JOINT SPY | 2 | |
| 63 | 90282-04010 | KEY, STRAIGHT CLAVETTE, DROITE | 1 | |
| 64 | 688-45383-02 | WASHER, CLAW FREIN D'ECROU | 1 | |
| 65 | 688-45384-00 | NUT ECROU | 1 | |

FIG. 21 LOWER CASING. DRIVE 4 (F50B)
FIG. 21 BOITIER D'HELICE, TRANSMISSION 4 (F50B)



| REF. NO. | PART NO. NO. PIECES | DESCRIPTION DESCRIPTION | Q'TY QTE | REMARKS REMARQUES |
|----------|---------------------|---|----------|-------------------|
| 1 | 62Y-44361-00 | TUBE, WATER TUBE D'EAU | 1 | |
| 2 | 663-44367-00 | DAMPER, WATER SEAL JOINT TUBE D'EAU | 1 | |
| 3 | 90202-12060 | WASHER, PLATE RONDELLE, PLATE | 1 | |
| 4 | 90430-12072 | GASKET JOINT | 1 | |
| 5 | 93606-12019 | PIN, DOWEL GOUPILLE | 2 | |
| 6 | 97075-10040 | BOLT BOULON | 4 | |
| 7 | 92990-10100 | WASHER, SPRING RONDELLE, GROWER | 4 | |
| 8 | 92990-10600 | WASHER, PLATE RONDELLE, PLATE | 4 | |
| 9 | 90119-08M84 | BOLT, WITH WASHER BOULON, AVEC RONDELLE | 1 | |
| 10 | 663-45376-00-94 | GUIDE, SEAL DAMPER BUTEE, JOINT CAOUTCHOUC | 1 | |
| 11 | 688-45375-00 | DAMPER, SEAL BOURRELET, CAOUTCHOUC | 1 | |
| 12 | 688-45371-02 | TAB-TRIM ANODE DERIVE | 1 | |
| 13 | 90105-10M67 | BOLT, WASHER BASED BOULON, AVEC RONDELLE | 1 | |
| 14 | 663-44366-00 | DAMPER, WATER SEAL JOINT, TUBE D'EAU | 1 | |
| 15 | 688-45987-02 | SPACER ENTRETOISE | 1 | |
| 16 | 688-45997-01 | SPACER ENTRETOISE | 1 | |
| 17 | 90201-17M00 | WASHER, PLATE RONDELLE, PLATE | 1 | |
| 18 | 90171-16011 | NUT, CASTLE ECROU, CRENELE | 1 | |
| 19 | 91490-40030 | PIN, COTTER GOUPILLE | 1 | |
| 20 | 6E5-45941-00-EL | PROPELLER (3X13"X19"-K) HELICE (3X13"X19"-K) | 1 UR | |
| | 6E5-45943-00-EL | PROPELLER (3X12-5/8"X21"-K) HELICE (3X12-5/8"X21"-K) | 1 UR | |
| | 6E5-45945-01-EL | PROPELLER (3X13-1/4"X17"-K) HELICE (3X13-1/4"X17"-K) | 1 UR | |
| | 6E5-45947-00-EL | PROPELLER (3X13-1/2"X15"-K) HELICE (3X13-1/2"X15"-K) | 1 UR | |
| | 6E5-45949-00-EL | PROPELLER (3X13-5/8"X13"-K) HELICE (3X13-5/8"X13"-K) | 1 UR | |
| | 6E5-45952-00-EL | PROPELLER (3X13"X23"-K) HELICE (3X13"X23"-K) | 1 UR | |
| | 6E5-45954-00-EL | PROPELLER (3X14"X11"-K) HELICE (3X14"X11"-K) | 1 UR | |
| | 6E5-45956-00-EL | PROPELLER (3X13"X25"-K) HELICE (3X13"X25"-K) | 1 UR | |

NUMERICAL INDEX
INDEX NUMERIQUE

downloaded from www.yamahaaoutboardparts.co.uk

downloaded from www.yamahaaoutboardparts.co.uk

| PART NO. NO. PIECES | REF. NO. | PART NO. NO. PIECES | REF. NO. | PART NO. NO. PIECES | REF. NO. | PART NO. NO. PIECES | REF. NO. | PART NO. NO. PIECES | REF. NO. | PART NO. NO. PIECES | REF. NO. | PART NO. NO. PIECES | REF. NO. |
|------------------------|-------------|------------------------|-------------|------------------------|-------------|------------------------|-------------|------------------------|-------------|------------------------|-------------|------------------------|-------------|
| 62Y-W0001-00 | 27- 1 | 62Y-12111-00 | 4- 1 | 62Y-14321-00 | 7-40 | 62Y-14429-10 | 6-25 | 62Y-24413-00 | 10-18 | 62Y-42652-00 | 11- 4 | | |
| 62Y-W0001-20 | 29- 1 | 51Y-12114-00 | 4- 4 | 664-14321-01 | 7-45 | 62Y-14440-00 | 5- 5 | 6A0-24421-01 | 10-19 | 62Y-42677-00 | 11-10 | | |
| 64J-W0001-20 | 30- 1 | 62Y-12116-00 | 4- 3 | 62Y-14323-10 | 7-17 | 62Y-14475-00 | 7-22 | 62Y-24423-00 | 10-21 | 62Y-42677-10 | 11-10 | | |
| 62Y-W0070-00 | 11-12 | 30X-12117-00 | 4- 5 | 6A0-14325-00 | 10-26 | 62Y-14475-10 | 6-30 | 62Y-24444-00 | 10-24 | 62Y-42678-00 | 11-11 | | |
| 6H3-W0078-0A | 30-31 | 30X-12118-00 | 4- 6 | 664-14327-01 | 7-46 | 62Y-14485-00 | 2-20 | 62Y-24452-00 | 10-28 | 62Y-42678-10 | 11-11 | | |
| 6H3-W0078-01 | 30-20 | 51Y-12119-00 | 4- 7 | 30X-14334-00 | 7-18 | 62Y-14487-00 | 6-22 | 62Y-24454-00 | 10-23 | 64J-42678-00 | 11-11 | | |
| 63D-W0078-0A | 29-31 | 62Y-1212A-00 | 6-28 | 62Y-14341-00 | 7-13 | 62Y-14555-00 | 6-34 | 62Y-24471-00 | 10-25 | 62Y-42681-00 | 11-13 | | |
| 63D-W0078-00 | 29-20 | 62Y-12121-00 | 4- 2 | 62Y-14341-10 | 7-13 | 62Y-14567-00 | 6-14 | 61N-24521-00 | 10- 8 | 62Y-42682-00 | 11-14 | | |
| 62Y-W009A-00-4D | 2- 1 | 62Y-12146-00 | 4- 8 | 62Y-14342-21 | 7-15 | 62Y-14573-00 | 7-48 | 61N-24560-00 | 10- 6 | 62Y-42711-00-4D | 12- 1 | | |
| 62Y-W009A-10-4D | 2- 1 | 62Y-12151-00 | 4- 9 | 62Y-14343-52 | 7-14 | 62Y-14578-00 | 6-35 | 61N-24563-00 | 10- 7 | 62Y-42711-10-4D | 12- 1 | | |
| 62Y-W009B-00-4D | 1- 1 | 62Y-12158-00 | 4-11 | 62Y-14343-56 | 7-14 | 62Y-14585-00 | 6- 3 | 62Y-24566-00 | 10-10 | 62Y-42715-00 | 16- 8 | | |
| 62Y-W0093-00 | 28- 1 | 62Y-12159-00 | 4-10 | 62Y-14349-00 | 6-20 | 62Y-14585-10 | 6- 4 | 6G8-26363-00 | 16-31 | 62Y-42716-00 | 12- 8 | | |
| 62Y-11111-00-94 | 2- 2 | 62Y-12171-00 | 8- 2 | 62Y-14349-10 | 6-18 | 62Y-14585-20 | 6- 5 | 62Y-28100-00 | 10-35 | 6E5-42724-00 | 12- 9 | | |
| 62Y-11111-10-94 | 2- 2 | 62Y-12216-00 | 4-14 | 62Y-14349-20 | 6-19 | 62Y-14585-30 | 6-13 | 62Y-41113-00-9M | 1-17 | 62Y-42725-00 | 12-18 | | |
| 62Y-11119-00 | 2-27 | 62Y-12238-00 | 4-12 | 62Y-14349-30 | 6-21 | 62Y-14585-40 | 6-16 | 62Y-41114-00 | 1-19 | 6H4-42726-00 | 12-32 | | |
| 62Y-11133-10 | 2- 3 | 62Y-12279-00 | 4-13 | 50M-14355-00 | 7-33 | 62Y-14585-50 | 6-26 | | 27- 5 | 688-42726-10 | 12-32 | | |
| 62Y-11168-00 | 2-21 | 6G8-12411-02 | 1-11 | 62Y-14355-00 | 7-16 | 62Y-14592-00 | 6- 8 | 62Y-41131-00 | 17- 3 | 6H3-42727-00 | 12-31 | | |
| 62Y-11181-00 | 2-14 | 6H3-12413-00-9M | 1-12 | | 28- 7 | 62Y-14596-00 | 6-31 | 62Y-41133-00 | 17- 4 | 62Y-42727-00 | 12-19 | | |
| | 27- 7 | 62Y-12414-00 | 1-13 | 6A1-14356-00 | 7-23 | 62Y-14597-00 | 7-47 | | 29- 5 | 62Y-42738-00-5B | 12-17 | | |
| 62Y-11191-00-9M | 2-19 | | 27- 4 | 6L2-14357-00 | 7-32 | 62Y-14711-00-5B | 17- 7 | | 30- 5 | 62Y-42741-00-4D | 12-22 | | |
| 6J8-11325-00 | 2- 5 | 62Y-12481-00 | 1-18 | 62Y-14360-00 | 6-33 | 62Y-14901-00 | 7- 1 | 62Y-41134-00 | 17-10 | 62Y-42815-00 | 12-11 | | |
| 6H3-11327-00-94 | 2- 7 | 62Y-13131-00 | 10-22 | 654-14363-01 | 7-24 | 62Y-14901-10 | 7- 1 | | 29- 6 | 62Y-42828-00-4D | 12-10 | | |
| 62Y-11328-00 | 2- 6 | 62Y-13300-00 | 8-17 | 62Y-14368-01 | 2-32 | 62Y-14902-00 | 7- 2 | | 30- 6 | 63D-43111-00-4D | 13- 1 | | |
| 62Y-11351-00 | 1-10 | 62Y-13411-00 | 9- 6 | 62Y-14369-00 | 6- 1 | 62Y-14902-10 | 7- 2 | 62Y-41137-00-94 | 17- 1 | 63D-43112-00-4D | 13- 2 | | |
| | 27- 3 | 3FV-13440-00 | 1-15 | 62Y-14372-10 | 7-14 | 62Y-14903-00 | 7- 3 | 6F5-41237-00 | 16-17 | 6E5-43126-02 | 13-38 | | |
| 62Y-11356-00 | 2-24 | 62Y-13471-00 | 9-14 | 62Y-14379-00 | 7-42 | 62Y-14903-10 | 7- 3 | 6H1-41237-00 | 16-19 | 63D-43128-01-4D | 13- 5 | | |
| | 27- 8 | 62Y-13475-00 | 9- 3 | 62Y-14380-00 | 6- 9 | 62Y-14904-00 | 7- 4 | 6H4-41237-00 | 16-19 | 63D-43131-00 | 13-14 | | |
| 62Y-11411-00 | 3- 3 | | 29- 2 | 62Y-14381-00 | 7- 5 | 62Y-14904-10 | 7- 4 | 62Y-41241-00 | 16-18 | 6G5-43144-00 | 13-28 | | |
| 62Y-11416-00 | 3- 4 | | 30- 2 | 62Y-14381-10 | 7-38 | 62Y-15100-00-94 | 1- 2 | 62Y-41241-10 | 16-18 | 6E5-43145-00 | 26- 9 | | |
| 62Y-11416-10 | 3- 4 | 62Y-13586-00-94 | 5- 1 | 62Y-14383-00 | 7-27 | 62Y-15311-00-5B | 9-10 | 6F5-41262-01 | 6- 6 | 6G5-43145-00 | 13-18 | | |
| 62Y-11416-20 | 3- 4 | 12V-14105-00 | 7-17 | 6L2-14384-00 | 7- 6 | 62Y-15312-00 | 9-11 | | 6-29 | 6G5-43148-00 | 13-24 | | |
| 62Y-11536-00 | 8-13 | | 28- 8 | | 28- 2 | | 29- 3 | | 7-43 | 688-43160-01 | 13-29 | | |
| 62Y-11537-00 | 8- 3 | 6L2-14157-00 | 7-34 | 6L2-14385-00 | 7- 7 | | 30- 3 | 62Y-41262-00 | 6-17 | 688-43165-00 | 13-30 | | |
| 62Y-11557-00 | 8-14 | | 7-37 | | 28- 3 | 62Y-15316-00 | 9-13 | | 7-44 | 62Y-43170-00-4D | 13-33 | | |
| 62Y-11575-00 | 9- 2 | | 7-39 | 6E5-14386-01 | 7- 8 | 62Y-15362-00 | 9- 1 | 6E5-42137-10 | 16-35 | 6H5-43181-03 | 13-19 | | |
| 62Y-11590-00 | 8- 8 | 62Y-14157-00 | 7-11 | | 28- 4 | 6G8-15363-00 | 2-36 | 62Y-42154-00 | 16-21 | 6H5-43185-03 | 13-20 | | |
| 62Y-11603-00 | 3- 9 | 62Y-14159-00 | 7-35 | 6L2-14392-00 | 7- 9 | 62Y-15373-00 | 5-12 | 62Y-42159-00 | 16-34 | 63D-43311-10-4D | 13-12 | | |
| 62Y-11604-00 | 3- 9 | 62Y-14175-00 | 6-11 | | 28- 5 | 1UF-22434-00 | 15-20 | 62Y-42171-00 | 16-22 | 682-43318-01 | 13-36 | | |
| 62Y-11605-00 | 3- 9 | 62Y-14175-10 | 6-12 | 5H0-14397-00 | 7-25 | 62X-22471-00 | 15-12 | 62Y-42335-00 | 16-27 | 63D-43631-0C | 13-35 | | |
| 62Y-11631-00-96 | 3- 8 | 646-14212-01 | 7-30 | | 28-10 | 6G1-24304-02 | 10- 1 | 62Y-42335-10 | 16-27 | 63D-43691-0C | 13-34 | | |
| 62Y-11633-00 | 3-10 | | 7-41 | 6F5-14397-00 | 7-31 | 62Y-24311-00 | 5-17 | 63D-42510-10-4D | 14- 1 | 62X-4380F-00 | 15-74 | | |
| 62Y-11635-00 | 3- 8 | 62Y-14255-00 | 6-23 | | 28-12 | 62Y-24313-00 | 5-19 | 62Y-42610-00-4D | 11- 1 | 62X-4380H-00 | 15-80 | | |
| 62Y-11636-00 | 3- 8 | 62Y-14258-00 | 6-27 | 62Y-14398-00 | 7-28 | 61N-24329-00 | 12-30 | 62Y-42610-10-4D | 11- 1 | 62X-4380K-00 | 15- 3 | | |
| 62Y-11650-00 | 3- 5 | 62Y-14267-00 | 7-36 | | 28-11 | 62Y-24374-00 | 10-30 | 64J-42610-00-4D | 11- 1 | 62X-4380L-00 | 15-27 | | |
| 62Y-11654-00 | 3- 6 | 62Y-14271-00 | 5-28 | 62Y-14399-00 | 7-12 | 62Y-24378-00 | 5-26 | 62Y-42613-00-4D | 11- 2 | 62X-43800-00-4D | 15- 1 | | |
| 62Y-11656-00 | 3- 7 | 62Y-14276-00 | 7-26 | | 28- 6 | 688-24378-00 | 5-20 | 62Y-42615-00 | 11-15 | 6T4-43802-01 | 15-38 | | |
| 62Y-11656-10 | 3- 7 | 62Y-14291-00 | 6- 7 | 62Y-14413-00 | 2-33 | 62Y-24410-00 | 10-17 | 61N-42628-00 | 11-16 | 62X-43804-00 | 15-70 | | |
| 62Y-11656-20 | 3- 7 | 62Y-14321-00 | 7-19 | 62Y-14429-00 | 6-10 | 62Y-24411-00 | 10-20 | 62Y-42651-00 | 11- 8 | 62X-43805-00 | 15-69 | | |

downloaded from www.yamahaaoutboardparts.co.uk

downloaded from www.yamahaaoutboardparts.co.uk

downloaded from www.yamahaaoutboardparts.co.uk

downloaded from www.yamahaaoutboardparts.co.uk

| PART NO. NO. PIECES | REF. NO. |
|------------------------|-------------|
| 62X-43807-00 | 15-75 |
| 62X-43810-00 | 15- 4 |
| 62X-43814-00 | 15-14 |
| 6H1-43816-00 | 15-49 |
| 6H1-43817-01 | 15-34 |
| 62X-4382L-00 | 15-54 |
| 6H1-43829-00 | 15-43 |
| 62X-4383A-00 | 15-57 |
| 62X-43830-00 | 15-44 |
| 6H1-43831-10 | 15-36 |
| 6H1-4384F-10 | 15-46 |
| 6H1-4384G-11 | 15-15 |
| | 15-51 |
| 62X-4384H-00 | 15-19 |
| 62X-43840-00 | 15- 2 |
| 62X-43841-00 | 15-42 |
| 6H1-43844-10 | 15-47 |
| 6T4-43849-00 | 15-67 |
| 6H1-4385H-00 | 15-35 |
| 61A-4385H-00 | 15-62 |
| 62X-4385M-00 | 15-28 |
| 6H1-43855-11 | 15-52 |
| 6H1-43856-10 | 15-48 |
| 62X-4386K-00 | 15-76 |
| 62X-43860-00 | 15-58 |
| 62X-43861-00 | 15- 5 |
| 62X-43862-00 | 15- 6 |
| 62X-43864-00 | 15-24 |
| 62X-43865-00 | 15-31 |
| 6H1-43866-00 | 15-39 |
| 62X-43866-00 | 15-32 |
| 6H1-43867-00 | 15-40 |
| 62X-43871-00 | 15- 8 |
| 6H1-43875-00 | 15-61 |
| 61A-43875-00 | 15-16 |
| 62X-43875-00 | 15-21 |
| 6T4-43876-00 | 15-66 |
| 62X-43878-00 | 15-33 |
| 62X-4388A-00 | 15-11 |
| 62X-43880-00 | 15-68 |
| 62X-43881-00 | 15-79 |
| 62X-43888-00 | 15-26 |
| 62X-43891-00 | 15-71 |
| 62X-43892-00 | 15-72 |
| 6H1-43895-11 | 15-53 |
| 6H1-43896-00 | 15-50 |
| 62X-43899-00 | 15-17 |
| 62Y-44116-01 | 16-28 |

| PART NO. NO. PIECES | REF. NO. |
|------------------------|-------------|
| 62Y-44117-00-4D | 16- 2 |
| 62Y-44120-00 | 16- 7 |
| 62Y-44121-00 | 16- 1 |
| 688-44122-00 | 16-15 |
| 62Y-44135-00 | 16-24 |
| 6K5-44144-00 | 20-52 |
| 63D-44144-00 | 18-52 |
| 663-44151-00 | 18-51 |
| | 20-51 |
| 6E0-44191-11 | 5-38 |
| 6H3-44311-00 | 20-25 |
| 63D-44311-00 | 18-21 |
| 63D-44312-00 | 19-19 |
| | 29-23 |
| 6H3-44315-A0 | 20-27 |
| | 30-12 |
| | 30-23 |
| 63D-44316-00 | 18-27 |
| | 29-13 |
| | 29-26 |
| 688-44316-A0 | 20-33 |
| | 30-15 |
| | 30-26 |
| 670-44321-00 | 30-33 |
| 63D-44322-00 | 18-22 |
| | 29-21 |
| 63D-44322-40 | 29-32 |
| 663-44322-00 | 20-26 |
| | 30-21 |
| 670-44322-01 | 30-32 |
| 6H3-44323-00 | 20-34 |
| | 30-24 |
| 6H3-44323-40 | 30-34 |
| 63D-44323-00 | 18-26 |
| | 29-24 |
| 63D-44323-40 | 29-33 |
| 6H3-44324-A0 | 20-35 |
| | 30-16 |
| | 30-25 |
| 6H3-44341-00-94 | 20-30 |
| 63D-44341-00 | 18-31 |
| 6H3-44352-00 | 18-23 |
| | 20-28 |
| | 29-22 |
| | 30-22 |
| 62Y-44361-00 | 19- 1 |
| | 21- 1 |
| 663-44366-00 | 19-18 |

| PART NO. NO. PIECES | REF. NO. |
|------------------------|-------------|
| 663-44366-00 | 21-14 |
| | 29-29 |
| | 30-19 |
| 663-44367-00 | 19- 2 |
| | 21- 2 |
| 6H3-44391-01 | 12- 2 |
| 62Y-44514-00-4D | 14-25 |
| 62Y-44514-20-4D | 14-25 |
| 63D-44526-00 | 14-27 |
| 663-44551-02-4D | 14- 9 |
| 663-44552-00-94 | 14-17 |
| 62Y-44553-00-4D | 14-22 |
| 679-44555-00-94 | 14-11 |
| 62Y-45111-00-4D | 17-13 |
| 663-45123-00 | 17-12 |
| | 29- 8 |
| | 30- 8 |
| 62Y-45127-00 | 17-11 |
| | 29- 7 |
| | 30- 7 |
| 62Y-45151-00 | 17-16 |
| 6H3-45155-00 | 17-19 |
| 63D-45214-00 | 18-10 |
| 688-45214-02 | 20-12 |
| 63D-45215-00 | 18-11 |
| 688-45215-02 | 20-13 |
| 63D-45251-00 | 13- 6 |
| 63D-45251-10 | 19-15 |
| 62Y-45300-10-4D | 18- 1 |
| 64J-45300-10-4D | 20- 1 |
| 6H1-45301-12-4D | 20- 2 |
| 63D-45301-01-4D | 18- 2 |
| 63D-45321-00 | 18-14 |
| 688-45321-00 | 20-16 |
| 688-45331-00-94 | 20-56 |
| 688-45341-00 | 18- 9 |
| | 20-10 |
| 63D-45344-00 | 18-34 |
| 63D-45361-01-4D | 18-43 |
| 664-45371-01 | 19-12 |
| 688-45371-02 | 21-12 |
| 63D-45375-00 | 19- 6 |
| 688-45375-00 | 21-11 |
| 663-45376-00-94 | 19- 5 |
| | 21-10 |
| 6E5-45378-00 | 18-17 |
| | 20-21 |
| 688-45383-02 | 20-64 |

| PART NO. NO. PIECES | REF. NO. |
|------------------------|-------------|
| 688-45384-00 | 20-65 |
| 62Y-45501-10 | 18-36 |
| 64J-45501-10 | 20-40 |
| 6H4-45536-00 | 18- 4 |
| 688-45536-01 | 20- 4 |
| 6H4-45551-01 | 18-37 |
| 6K5-45551-00 | 20-41 |
| 6H4-45560-01 | 18-39 |
| 6K5-45560-00 | 20-43 |
| 663-45567-01-10 | 18-41 |
| 663-45567-01-12 | 18-41 |
| 663-45567-01-15 | 18-41 |
| 663-45567-01-18 | 18-41 |
| 663-45567-01-30 | 18-41 |
| 663-45567-01-40 | 18-41 |
| 663-45567-01-50 | 18-41 |
| 688-45567-01-10 | 20- 7 |
| 688-45567-01-12 | 20- 7 |
| 688-45567-01-15 | 20- 7 |
| 688-45567-01-18 | 20- 7 |
| 688-45567-01-30 | 20- 7 |
| 688-45567-01-40 | 20- 7 |
| 688-45567-01-50 | 20- 7 |
| 6H4-45571-01 | 18-42 |
| 6K5-45571-00 | 20-55 |
| 688-45576-00 | 20-59 |
| 63D-45577-00-10 | 18-46 |
| 63D-45577-00-12 | 18-46 |
| 63D-45577-00-15 | 18-46 |
| 63D-45577-00-18 | 18-46 |
| 63D-45577-00-30 | 18-46 |
| 63D-45577-00-40 | 18-46 |
| 63D-45577-00-50 | 18-46 |
| 688-45577-01-10 | 20-58 |
| 688-45577-01-12 | 20-58 |
| 688-45577-01-15 | 20-58 |
| 688-45577-01-18 | 20-58 |
| 688-45577-01-30 | 20-58 |
| 688-45577-01-40 | 20-58 |
| 688-45577-01-50 | 20-58 |
| 663-45587-01-10 | 18- 5 |
| 663-45587-01-12 | 18- 5 |
| 663-45587-01-15 | 18- 5 |
| 663-45587-01-18 | 18- 5 |
| 663-45587-01-30 | 18- 5 |
| 663-45587-01-40 | 18- 5 |
| 663-45587-01-50 | 18- 5 |
| 688-45587-01-10 | 20- 5 |

| PART NO. NO. PIECES | REF. NO. |
|------------------------|-------------|
| 688-45587-01-12 | 20- 5 |
| 688-45587-01-15 | 20- 5 |
| 688-45587-01-18 | 20- 5 |
| 688-45587-01-30 | 20- 5 |
| 688-45587-01-40 | 20- 5 |
| 688-45587-01-50 | 20- 5 |
| 63D-45611-00 | 18-55 |
| 688-45611-01 | 20-44 |
| 63D-45631-00 | 18-57 |
| 688-45631-01 | 20-45 |
| 663-45633-00 | 18-62 |
| 688-45633-00 | 20-50 |
| 663-45634-00 | 18-58 |
| 688-45634-00 | 20-46 |
| 63D-45635-00 | 18-60 |
| 688-45635-00 | 20-48 |
| 663-45930-00-98 | 19-25 |
| 6E5-45941-00-EL | 21-20 |
| 663-45941-01-EL | 19-25 |
| 6E5-45943-00-EL | 21-20 |
| 6H5-45943-00-EL | 19-25 |
| 6E5-45945-01-EL | 21-20 |
| 6H5-45945-00-EL | 19-25 |
| 663-45945-02-EL | 19-25 |
| 6E5-45947-00-EL | 21-20 |
| 663-45947-02-EL | 19-25 |
| 6E5-45949-00-EL | 21-20 |
| 663-45949-01-EL | 19-25 |
| 6E5-45952-00-EL | 21-20 |
| 6H5-45952-00-EL | 19-25 |
| 663-45952-02-EL | 19-25 |
| 6E5-45954-00-EL | 21-20 |
| 6E5-45956-00-EL | 21-20 |
| 663-45956-01-EL | 19-25 |
| 6H5-45958-00-EL | 19-25 |
| 663-45958-01-EL | 19-25 |
| 663-45970-60-98 | 19-25 |
| 697-45970-00-98 | 19-25 |
| 663-45972-60-98 | 19-25 |
| 663-45974-02-98 | 19-25 |
| 663-45974-60-98 | 19-25 |
| 663-45976-00-98 | 19-25 |
| 663-45978-00-98 | 19-25 |
| 663-45987-02 | 19-20 |
| 688-45987-02 | 21-15 |
| 670-45997-02 | 19-21 |
| 688-45997-01 | 21-16 |
| 62Y-46241-00 | 8- 7 |

| PART NO. NO. PIECES | REF. NO. |
|------------------------|-------------|
| 63D-48511-00-4D | 14-39 |
| 6H3-48538-00 | 16-33 |
| 63D-61350-00 | 26- 1 |
| 63D-61351-00 | 26- 2 |
| 62Y-81337-00 | 22-12 |
| 6K7-81338-01 | 22-13 |
| 6E5-81800-12 | 23- 1 |
| 6E5-81801-10 | 23- 6 |
| 6E5-81807-11 | 23-11 |
| 6E5-81809-10 | 23- 3 |
| 6E5-81810-10 | 23- 4 |
| 6E5-81813-10 | 23- 8 |
| 6E5-81820-11 | 23- 9 |
| 62Y-81822-00-94 | 24- 9 |
| 6E5-81824-00 | 23-10 |
| 6E5-81826-10 | 23-15 |
| 6E5-81830-10 | 23-13 |
| 688-81831-00 | 23-14 |
| 6E5-81840-10 | 23- 7 |
| 6E5-81847-10 | 23- 5 |
| 6E5-81850-11 | 23- 2 |
| 61H-81857-00 | 23-12 |
| 6G1-81941-10 | 25- 5 |
| 6L2-81945-00 | 25- 7 |
| 6H2-81949-01 | 25-26 |
| 61A-81949-00 | 25-27 |
| 6H1-81950-00 | 25-23 |
| 6G1-81952-00 | 25- 6 |
| 62Y-81960-10 | 25-10 |
| 62Y-82105-00 | 25-16 |
| 6E5-82117-00 | 25-17 |
| 682-82119-01 | 25-28 |
| 703-82119-00 | 14-36 |
| 697-82127-01 | 14-24 |
| 6H1-82148-00 | 13- 9 |
| | 13-52 |
| 63D-82148-00 | 13- 3 |
| 682-82151-00 | 25-20 |
| 6G5-82152-00 | 25-18 |
| 62X-82181-00 | 15-73 |
| 663-82317-01 | 22-14 |
| 6G8-82370-20 | 24- 8 |
| 62Y-82504-00 | 24-12 |
| 62Y-82560-01 | 24-13 |
| 63D-82563-10 | 25-31 |
| 6E5-82587-00 | 25-32 |
| 6E9-82588-00 | 24-14 |
| 62Y-82590-00 | 25-19 |

| PART NO. NO. PIECES | REF. NO. |
|------------------------|-------------|
| 62Y-82590-10 | 25-19 |
| 688-82594-00 | 25-21 |
| 6E5-83558-00 | 14-34 |
| 6E5-83558-10 | 18-19 |
| | 20-23 |
| 62Y-83614-00 | 25-33 |
| 63D-83672-00 | 14-35 |
| 437-83936-11 | 25-22 |
| | 25-30 |
| 62Y-85510-00 | 22- 2 |
| 62Y-85540-01 | 25- 1 |
| 62Y-85540-10 | 25- 1 |
| 62Y-85550-01 | 22- 1 |
| 62Y-85550-10 | 22- 1 |
| 62Y-85561-00-94 | 22- 3 |
| 62Y-85570-00 | 24- 1 |
| 62Y-85580-00 | 22- 5 |
| 62Y-85599-00 | 24-17 |
| 6E9-86111-01 | 6-36 |
| 90101-08M15 | 14-26 |
| 90101-09M01 | 26- 7 |
| 90101-12M65 | 13-46 |
| 90105-08M61 | 18-44 |
| 90105-10M67 | 21-13 |
| 90109-06M30 | 16-30 |
| 90109-06M64 | 8-12 |
| 90109-06M65 | 2-12 |
| 90109-08M63 | 4-15 |
| 90109-12261 | 14-15 |
| 90116-08M14 | 24-19 |
| 90116-10175 | 14- 7 |
| 90116-18M52 | 13-42 |
| 90119-08M01 | 1- 4 |
| 90119-08M76 | 23-18 |
| 90119-08M77 | 23-19 |
| 90119-08M79 | 17-14 |
| 90119-08M82 | 17-15 |
| 90119-08M84 | 19-11 |
| | 21- 9 |
| 90119-09M00 | 2-16 |
| 90142-05M06 | 18-12 |
| 90159-06M08 | 24-18 |
| 90170-09M03 | 26- 5 |
| 90170-12138 | 18-38 |
| 90170-16M01 | 20-42 |
| 90170-18M10 | 13-43 |
| 90170-20137 | 22-17 |
| 90170-35M32 | 8-15 |

| PART NO. NO. PIECES | REF. NO. |
|------------------------|-------------|
| 90171-16011 | 19-23 |
| | 21-18 |
| 90179-06M24 | 11- 3 |
| 90179-06066 | 14-21 |
| 90185-05904 | 20-15 |
| 90185-08045 | 14-28 |
| 90185-09M01 | 26- 4 |
| 90185-10051 | 14- 8 |
| 90185-22M11 | 13-17 |
| 90201-06416 | 12- 5 |
| 90201-083J8 | 15-82 |
| 90201-10M06 | 8- 5 |
| 90201-10M20 | 26- 3 |
| 90201-10M63 | 26- 8 |
| 90201-12M16 | 14-12 |
| 90201-12426 | 13-48 |
| 90201-13M19 | 14-14 |
| 90201-17M00 | 21-17 |
| 90201-21M18 | 22-18 |
| 90201-22M03 | 13-16 |
| 90201-22429 | 18-56 |
| 90201-27M00 | 18-35 |
| 90201-30M00 | 14- 2 |
| 90202-07M07 | 16-16 |
| 90202-12060 | 19- 3 |
| | 21- 3 |
| 90202-21100 | 14-13 |
| 90209-08M02 | 18-30 |
| | 20-39 |
| | 29-28 |
| 90240-05M19 | 12-14 |
| 90249-05M30 | 12-12 |
| 90249-06M19 | 13-25 |
| 90249-07M29 | 8-10 |
| 90250-06023 | 18-61 |
| 90250-07M02 | 20-49 |
| 90266-06M02 | 11- 9 |
| 90280-03M03 | 20-29 |
| | 30-30 |
| 90280-03024 | 18-25 |
| | 29-30 |
| 90280-04M06 | 8-16 |
| | 27-17 |
| 90280-05049 | 22-16 |
| 90282-04010 | 20-63 |
| 90338-04M17 | 5-29 |
| 90338-05M03 | 12-37 |
| 90340-08M04 | 18- 7 |

| PART NO. NO. PIECES | REF. NO. |
|------------------------|-------------|
| 90340-08M04 | 20- 9 |
| 90340-14M06 | 1- 8 |
| 90344-51M01 | 1- 7 |
| 90386-05002 | 12-15 |
| 90386-07M58 | 16-11 |
| 90386-10M16 | 13-21 |
| 90386-10009 | 16-29 |
| 90386-10025 | 13-22 |
| 90386-18M35 | 13-40 |
| 90386-18M44 | 13-45 |
| 90386-18M92 | 13-39 |
| 90386-22M15 | 13-15 |
| 90386-30M60 | 14- 6 |
| 90386-30M77 | 14- 4 |
| 90386-30M78 | 14- 3 |
| 90387-06M15 | 5-31 |
| 90387-06M40 | 12-29 |
| 90387-06M45 | 16-25 |
| 90387-06M69 | 12- 4 |
| 90387-06M70 | 5- 6 |
| 90387-10M42 | 26- 6 |
| 90401-20M00 | 1-16 |
| 90430-06014 | 2-11 |
| | 2-13 |
| | 27- 6 |
| 90430-08020 | 18- 8 |
| | 20-11 |
| | 29- 9 |
| | 30- 9 |
| 90430-08143 | 2-31 |
| 90430-12072 | 19- 4 |
| | 21- 4 |
| 90430-14115 | 1- 9 |
| | 27- 2 |
| 90445-07MF1 | 14-33 |
| 90445-07M31 | 18-18 |
| | 20-22 |
| 90445-07M38 | 5- 9 |
| 90445-09252 | 1-14 |
| 90445-10M14 | 5-18 |
| 90445-10M18 | 5-27 |
| 90445-10M33 | 5-15 |
| 90445-10M34 | 10- 4 |
| 90445-10M48 | 10-14 |
| 90445-10M85 | 5-16 |
| 90445-16M00 | 5-22 |
| 90464-07M41 | 24- 3 |
| 90464-09M43 | 12-36 |

NUMERICAL INDEX
INDEX NUMERIQUE

| PART NO. NO. PIECES | REF. NO. |
|------------------------|-------------|
| 90464-10M32 | 5-11 |
| 90464-16039 | 25-29 |
| 90465-06M28 | 24- 2 |
| 90465-08028 | 14-31 |
| 90465-11M10 | 5-10 |
| | 5-21 |
| | 5-23 |
| | 5-25 |
| | 13-53 |
| | 14-32 |
| | 18-20 |
| | 20-24 |
| 90465-13M11 | 14-38 |
| 90465-13M36 | 5-13 |
| 90467-09M03 | 10- 5 |
| | 10-15 |
| 90467-10M04 | 5-14 |
| | 10-16 |
| | 10-34 |
| 90467-11044 | 15-56 |
| 90467-15M14 | 5-37 |
| 90468-07M06 | 16-13 |
| 90468-18008 | 16-14 |
| | 16-32 |
| 90480-09M12 | 12- 3 |
| 90480-11224 | 5-24 |
| 90480-12072 | 22-15 |
| 90480-13M24 | 12-28 |
| 90480-25161 | 24- 4 |
| 90501-12M00 | 16- 9 |
| 90501-14M08 | 14-20 |
| 90501-16M01 | 18-59 |
| 90501-16233 | 20-47 |
| 90502-16M02 | 13-32 |
| 90506-14M24 | 13-26 |
| 90508-23M36 | 8- 9 |
| 91318-04025 | 15-37 |
| 91490-16010 | 12-13 |
| | 12-16 |
| 91490-30030 | 16-23 |
| 91490-40030 | 19-24 |
| 91690-30012 | 21-19 |
| 91690-30020 | 13-31 |
| 91690-40010 | 13-23 |
| 91690-40010 | 15-22 |
| 92907-04600 | 2-23 |
| 92990-04600 | 6-24 |
| 92990-05100 | 22- 7 |

| PART NO. NO. PIECES | REF. NO. |
|------------------------|-------------|
| 92990-05600 | 6-15 |
| | 11- 6 |
| | 17-18 |
| | 22- 8 |
| 92990-06600 | 1- 6 |
| | 1-21 |
| | 2- 9 |
| | 2-18 |
| | 2-26 |
| | 2-29 |
| | 2-35 |
| | 5- 8 |
| | 5-33 |
| | 5-35 |
| | 8-22 |
| | 9- 5 |
| | 9- 8 |
| | 9-17 |
| | 10- 3 |
| | 10-33 |
| | 12-21 |
| | 12-26 |
| | 12-35 |
| | 13-11 |
| | 13-51 |
| | 16- 4 |
| | 16- 6 |
| | 17- 6 |
| | 17- 9 |
| | 20-20 |
| | 22-10 |
| | 24- 7 |
| | 24-16 |
| | 25- 4 |
| | 25- 9 |
| | 25-13 |
| | 25-15 |
| | 25-25 |
| 92990-08100 | 24-21 |
| 92990-08200 | 16-12 |
| 92990-10100 | 19- 9 |
| | 21- 7 |
| 92990-10600 | 19-10 |
| | 21- 8 |
| 92990-16200 | 19-22 |
| 92995-06100 | 12- 7 |
| | 12-25 |
| | 12-34 |

| PART NO. NO. PIECES | REF. NO. |
|------------------------|-------------|
| 92995-06100 | 13- 8 |
| | 15-30 |
| | 24- 6 |
| | 25- 3 |
| | 25-12 |
| 92995-08100 | 14-19 |
| | 14-30 |
| | 19-14 |
| | 19-17 |
| 92995-08600 | 10-12 |
| | 23-17 |
| | 24-11 |
| 92995-12200 | 13-47 |
| 92995-18600 | 13-44 |
| 93101-16M36 | 17- 2 |
| | 29- 4 |
| | 30- 4 |
| 93101-22067 | 18-50 |
| | 29-18 |
| 93101-23070 | 20-31 |
| | 30-13 |
| 93101-25M03 | 20-62 |
| | 30-18 |
| 93101-25M57 | 18-32 |
| | 29-14 |
| 93102-08414 | 15-81 |
| 93102-35M41 | 3- 2 |
| | 27-11 |
| 93102-37M40 | 8- 1 |
| | 27-16 |
| 93102-43M42 | 3- 1 |
| | 27-10 |
| 93106-09014 | 18-15 |
| | 20-18 |
| | 29-10 |
| | 30-11 |
| 93210-06519 | 15-23 |
| | 15-45 |
| 93210-06632 | 15-64 |
| 93210-07540 | 15-65 |
| | 18-53 |
| | 20-53 |
| 93210-09350 | 29-19 |
| | 15-41 |
| 93210-12M69 | 8-19 |
| | 27-19 |
| 93210-14515 | 8-20 |
| | 9-15 |



FLOOD MARINE SERVICES

downloaded from www.yamahaboutboardparts.co.uk

| PART NO. NO. PIECES | REF. NO. |
|------------------------|-------------|
| 93210-14515 | 27-20 |
| 93210-16275 | 26-10 |
| 93210-18397 | 15-60 |
| 93210-25070 | 2-37 |
| | 10-31 |
| | 27- 9 |
| 93210-29M94 | 14- 5 |
| 93210-29375 | 15- 7 |
| | 15-25 |
| 93210-30MH4 | 5- 4 |
| | 27-14 |
| | 28-13 |
| 93210-32738 | 10- 9 |
| 93210-33MG4 | 18-16 |
| | 29-11 |
| 93210-33MH2 | 8-18 |
| | 27-18 |
| 93210-35M86 | 5- 2 |
| | 5-30 |
| | 27-12 |
| | 27-15 |
| | 28-14 |
| 93210-38MH3 | 5- 3 |
| | 27-13 |
| 93210-44383 | 15- 9 |
| 93210-46044 | 20-32 |
| | 30-14 |
| | 30-27 |
| 93210-48MG8 | 18-33 |
| | 29-15 |
| 93210-48214 | 15-10 |
| 93210-49046 | 20-17 |
| | 30-10 |
| 93210-52449 | 15-83 |
| 93210-59MG7 | 18-24 |
| | 29-12 |
| | 29-25 |
| 93210-69MG6 | 18-48 |
| | 29-17 |
| 93210-74MG5 | 18-47 |
| | 29-16 |
| 93210-85M97 | 20-60 |
| | 30-17 |
| 93306-001U1 | 18-45 |
| 93306-207U0 | 20-57 |
| 93315-32224 | 18- 3 |
| 93315-325V1 | 20- 3 |



FLOOD MARINE SERVICES

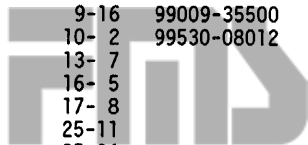
downloaded from www.yamahaboutboardparts.co.uk

| PART NO. NO. PIECES | REF. NO. |
|------------------------|-------------|
| 93317-22204 | 18-49 |
| 93317-325U0 | 20-61 |
| 93332-000U3 | 20- 6 |
| 93332-000W7 | 20- 8 |
| 93332-00003 | 18-40 |
| 93332-00079 | 18- 6 |
| 93410-18M02 | 13-41 |
| 93410-28M06 | 14-10 |
| 93430-04301 | 7-21 |
| 93450-09M01 | 2- 4 |
| 93450-17129 | 3-11 |
| 93503-16010 | 15-18 |
| 93505-16024 | 16-10 |
| 93505-32038 | 15-59 |
| 93604-08062 | 18-28 |
| 93604-10M03 | 20-36 |
| 93605-10108 | 15-63 |
| 93605-14143 | 8- 4 |
| 93606-12019 | 9-12 |
| | 19- 7 |
| | 21- 5 |
| 93608-12M05 | 9- 9 |
| 93608-16M16 | 5-36 |
| 93700-06M03 | 13-13 |
| 94701-00375 | 2-38 |
| 95024-06025 | 22- 4 |
| 95380-03600 | 10-27 |
| 95380-05600 | 10-29 |
| | 18-13 |
| 95380-05700 | 16-20 |
| 95380-06600 | 12-23 |
| 95380-08600 | 10-13 |
| | 13-49 |
| 95380-12600 | 14-16 |
| 95380-12800 | 11- 7 |
| 95780-05300 | 12-27 |
| 95895-06016 | 16-26 |
| 95895-06030 | 8-11 |
| 95895-08020 | 8- 6 |
| 95895-10040 | 2- 8 |
| 97013-06020 | 2-25 |
| | 2-17 |
| 97013-06025 | 9- 4 |
| | 9- 7 |
| 97014-06016 | 1- 5 |
| 97014-06035 | 1-20 |
| | 14-18 |



NUMERICAL INDEX
INDEX NUMERIQUE

| PART NO. NO. PIECES | REF. NO. |
|------------------------|-------------|
| 97075-08030 | 14-29 |
| 97075-10040 | 21- 6 |
| 97095-05016 | 11- 5 |
| 97095-06010 | 2-10 |
| | 13-10 |
| | 13-27 |
| | 13-37 |
| | 13-50 |
| 97095-06012 | 24-15 |
| | 25-14 |
| | 25-34 |
| 97095-06014 | 25- 8 |
| 97095-06016 | 2-34 |
| | 15-29 |
| | 20-19 |
| 97095-06020 | 2-28 |
| | 12-20 |
| | 16- 3 |
| | 25- 2 |
| 97095-06025 | 5-34 |
| | 9-16 |
| | 10- 2 |
| | 13- 7 |
| | 16- 5 |
| | 17- 8 |
| | 25-11 |
| | 25-24 |
| | 5-32 |
| 97095-06030 | 10-32 |
| | 12- 6 |
| | 24- 5 |
| 97095-06045 | 17- 5 |
| 97095-06090 | 5- 7 |
| 97095-08014 | 2-30 |
| | 10-11 |
| 97095-08016 | 23-16 |
| 97095-08020 | 19-16 |
| 97095-08025 | 19-13 |
| 97095-08030 | 18-29 |
| | 29-27 |
| 97095-08035 | 24-10 |
| 97095-08045 | 20-38 |
| | 30-28 |
| 97095-08055 | 20-37 |
| | 30-29 |
| | 19- 8 |
| 97095-10040 | 8-21 |
| 97313-06040 | 8-21 |
| 97607-05210 | 15-55 |



FLOOD MARINE SERVICES

downloaded from www.yamahaboutboardparts.co.uk



FLOOD MARINE SERVICES

downloaded from www.yamahaboutboardparts.co.uk

G4



FLOOD MARINE SERVICES

downloaded from www.yamahaboutboardparts.co.uk

| PART NO. NO. PIECES | REF. NO. |
|------------------------|-------------|
| 97880-05020 | 15-77 |
| 97885-06008 | 13- 4 |
| 97885-06016 | 14-23 |
| | 14-37 |
| 97890-05006 | 6- 2 |
| 97980-04108 | 6-32 |
| 97980-04110 | 7-10 |
| 97980-04112 | 7-20 |
| | 28- 9 |
| 98507-04010 | 2-22 |
| 98517-04012 | 15-78 |
| 98580-05012 | 22- 6 |
| 98580-05016 | 17-17 |
| 98580-06025 | 12-24 |
| | 12-33 |
| | 22- 9 |
| | 20-14 |
| 98780-05545 | 7-29 |
| 98980-04006 | 18-54 |
| 99001-08600 | 20-54 |
| | 15-13 |
| 99009-35500 | 1- 3 |
| 99530-08012 | 2-15 |
| | 22-11 |



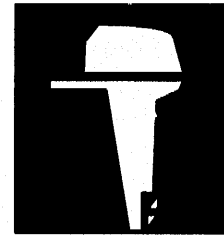
FLOOD MARINE SERVICES

downloaded from www.yamahaboutboardparts.co.uk



FLOOD MARINE SERVICES

downloaded from www.yamahaboutboardparts.co.uk



**PARTS
CATALOGUE
CATALOGUE
DE PIÈCES
DETACHEES**

F50A '96 (62Y)
F50B '96 (64J)
F45A '96 (62Y)

FOREWORD

This Parts Catalogue is related to the parts for the model(s) in the below frame. When you are ordering replacement parts, please refer to this Parts Catalogue and quote both part numbers and part names correctly.

F50A'96 (62Y),F50B'96 (64J),F45A'96 (62Y)

1. Modifications or additions which have been made after issue of the Parts Catalogue will be announced in the Yamaha Parts News. It is advisable that you make necessary corrections to the Parts Catalogue according to the Yamaha Parts News.

2. Abbreviations

The following abbreviations are used in this Parts Catalogue.

| | |
|---|-------------------------------|
| "UR" Use specified parts number. | "M" Manual start model |
| "UN" Use as many as needed. | "E" Electric start model |
| "AP" Alternate Parts | "PTT" Power Trim & Tilt model |
| "LM" Local Made (Parts need to be ordered locally) | "H/T" Hydro Tilt model |
| "O/S" Over Size | "M/T" Manual Tilt model |
| | "T.H/D" Tiller Handle model |

3. Parts, which are to be supplied in an assembly, are listed with a dot (.) in front of the part name as shown below.

EXAMPLE

CARBURETOR ASSY
. JET, PILOT
. NOZZLE, MAIN

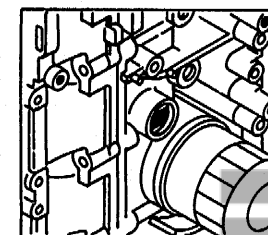
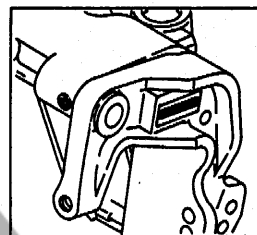
4. Number of component for assembly

The numeral appearing to the right of each component part indicates the quantity of parts for each assembly unit.

EXAMPLE

| PART NO. | DESCRIPTION | Q'TY | REMARKS |
|-----------------|---------------------|------|---------|
| 6E0-85500-70 | C.D.I. MAGNETO ASSY | 1 | |
| 6E0-85550-70 | . ROTOR ASSY | 1 | |
| 6E0-15723-00-94 | .. PULLY, STARTER | 1 | |

| | |
|-------------------|---------------------|
| Engine Serial No. | F50AE L : 300357 ~ |
| | F50AET L : 401901 ~ |
| | F50BET L : 400122 ~ |
| | F45AED L : 500101 ~ |
| | F45AET L : 550101 ~ |



| Color Code | Color Name | Abbreviation |
|------------|-----------------------------|--------------|
| 4D | DARK BLUISH GRAY METALLIC 2 | DBNM2 |

6. Note that the illustrations are for reference in finding parts numbers, not to be used for assembling. When assembling, please use the applicable service manual.

AVANT-PROPOS

Ce Catalogue de pièces détachées concerne les pièces pour le(s) modèle(s) indiqué(s) dans le cadre ci-dessous. Lorsque vous commandez des pièces de rechange, veuillez vous référer à ce catalogue de pièces détachées et indiquer clairement les numéros et les noms des pièces détachées.

F50A'96 (62Y), F50B'96 (64J), F45A'96 (62Y)

1. Les modifications ou ajouts ayant été effectués après la parution du catalogue de pièces détachées seront décrits dans les Bulletins d'information Yamaha concernant les pièces détachées.
Il est recommandé que vous apportiez les corrections nécessaires au catalogue des pièces détachées en vous référant aux Bulletins d'information Yamaha.

2. Abréviations

Dans ce catalogue, les abréviations suivantes sont utilisées:

- "UR" Utiliser le numéro des pièces.
- "UN" Utiliser autant que nécessaire.
- "AP" Pièces de substitution
- "OS" Cote Réparation
- "LM" Fabrication locale
(les pièces doivent être commandées localement.)
- "M" Modèle à démarrage manuel
- "E" Modèle à démarrage électrique
- "PTT" Modèle à assiette et relevage assistés
- "H/T" Modèle à relevage hydraulique
- "M/T" Modèle à relevage manuel
- "T.H/D" Modèle à commande par barre franche

3. Dans ce catalogue, les pièces qui sont fournies dans un ensemble sont précédées d'un point (.) de la manière indiquée ci-dessous.

EXEMPLE ENS CARBURATEUR
 . GICLEUR, ralenti
 . PUIITS D'AIGUILLE

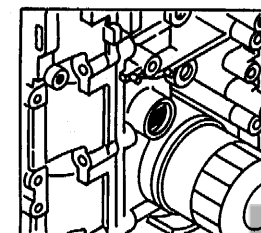
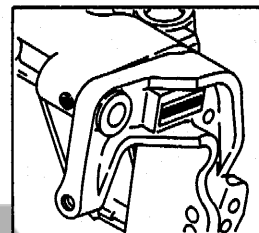
4. Nombre de pièces composant un ensemble

Le chiffre apparaissant à la droite de chaque description indique la quantité de pièces pour chaque ensemble de pièces .

| Référence | Description | Qté | Remarques |
|-----------------|-------------------------|-----|-----------|
| 6E0-85500-70 | MAGNETO C.D.I CPLT | 1 | |
| 6E0-85550-70 | . ROTOR CPLT | 1 | |
| 6E0-15723-00-94 | . . POULIE DE DEMARREUR | 1 | |

5. Applications No de série et code couleur correspondants

| No de série du moteur | |
|-----------------------|--------------|
| F50AE | L : 300357 ~ |
| F50AET | L : 401901 ~ |
| F50BET | L : 400122 ~ |
| F45AED | L : 500101 ~ |
| F45AET | L : 550101 ~ |



| Code couleur | Nom de couleur | Abréviation |
|--------------|-----------------------------|-------------|
| 4D | DARK BLUISH GRAY METALLIC 2 | DBNM2 |

6. Veuillez noter que les illustrations sont indiquées pour référence pour trouver les numéros de pièces, non pour être utilisées lors de l'assemblage. Lors de l'assemblage, veuillez utiliser le manuel d'entretien adéquat.

Sheet 1/2 (Fig. 1 to Fig. 21)

| | | |
|---------|---|--------|
| FIG. 1 | CYLINDER. CRANKCASE | A6 |
| FIG. 2 | CYLINDER. CRANKCASE 2 | A7, B1 |
| FIG. 3 | CRANKSHAFT. PISTON | B2 |
| FIG. 4 | VALVE | B3 |
| FIG. 5 | INTAKE | B4, B5 |
| FIG. 6 | CARBURETOR LINK | B6, B7 |
| FIG. 7 | CARBURETOR | C1, C2 |
| FIG. 8 | OIL PUMP | C3 |
| FIG. 9 | OIL PAN | C4 |
| FIG. 10 | FUEL | C5, C6 |
| FIG. 11 | TOP COWLING | C7 |
| FIG. 12 | BOTTOM COWLING | D1, D2 |
| FIG. 13 | BRACKET 1 | D3, D4 |
| FIG. 14 | BRACKET 2 | D5, D6 |
| FIG. 15 | POWER TRIM & TILT ASSY 1 | D7~E2 |
| FIG. 16 | CONTROL | E3, E4 |
| FIG. 17 | UPPER CASING | E5 |
| FIG. 18 | LOWER CASING. DRIVE 1 (F50A/F45A) | E6~F1 |
| FIG. 19 | LOWER CASING. DRIVE 2 (F50A/F45A) | F2, F3 |
| FIG. 20 | LOWER CASING. DRIVE 3 (F50B) | F4~F6 |
| FIG. 21 | LOWER CASING. DRIVE 4 (F50B) | F7 |

NUMERICAL INDEX

Sheet 2/2 (Fig. 22 to Fig. 30)

| | | |
|---------|---|--------|
| FIG. 22 | GENERATOR | A6 |
| FIG. 23 | STARTING MOTOR | A7 |
| FIG. 24 | ELECTRICAL 1 | B1 |
| FIG. 25 | ELECTRICAL 2 | B2, B3 |
| FIG. 26 | ALTERNATE 1 (STEERING GUIDE ATTACHMENT) | B4 |
| FIG. 27 | REPAIR KIT 1 | B5 |
| FIG. 28 | REPAIR KIT 2 | B6 |
| FIG. 29 | REPAIR KIT 3 (F50A/F45A) | B7, C1 |
| FIG. 29 | REPAIR KIT 4 (F50B) | C2, C3 |

NUMERICAL INDEX

TABLE DES MATIERES

1/1, Name

Feuille 1/2 (Fig. 1 ~ Fig. 21)

| | | |
|---------|--|--------|
| FIG. 1 | CYLINDRE. CARTER | A6 |
| FIG. 2 | CYLINDRE. CARTER 2 | A7, B1 |
| FIG. 3 | VILEBREQUIN. PISTON | B2 |
| FIG. 4 | SOUPAPE | B3 |
| FIG. 5 | ADMISSION | B4, B5 |
| FIG. 6 | BIELLETTTE CARBURATEUR | B6, B7 |
| FIG. 7 | CARBURATEUR | C1, C2 |
| FIG. 8 | POMPE A HUILE | C3 |
| FIG. 9 | VENTILATEUR D'HUILE | C4 |
| FIG. 10 | CARBURANT | C5, C6 |
| FIG. 11 | CAPOT SUPERIEUR | C7 |
| FIG. 12 | CAPOT INFERIEUR | D1, D2 |
| FIG. 13 | SUPPORT 1 | D3, D4 |
| FIG. 14 | SUPPORT 2 | D5, D6 |
| FIG. 15 | PUISSANCE PARER ET INCLINER (ENS.) 1 | D7~E2 |
| FIG. 16 | COMMANDE | E3, E4 |
| FIG. 17 | FOURREAU | E5 |
| FIG. 18 | BOITIER D'HELICE, TRANSMISSION 1 (F50A/F45A) | E6~F1 |
| FIG. 19 | BOITIER D'HELICE, TRANSMISSION 2 (F50A/F45A) | F2, F3 |
| FIG. 20 | BOITIER D'HELICE, TRANSMISSION 3 (F50B) | F4~F6 |
| FIG. 21 | BOITIER D'HELICE, TRANSMISSION 4 (F50B) | F7 |

INDEX NUMERIQUE

Feuille 2/2 (Fig. 22 ~ Fig. 30)

| | | |
|---------|---|--------|
| FIG. 22 | GENERATRICE | A6 |
| FIG. 23 | DEMARREUR ELECTRIQUE | A7 |
| FIG. 24 | PARTIE ELECTRIQUE 1 | B1 |
| FIG. 25 | PARTIE ELECTRIQUE 2 | B2, B3 |
| FIG. 26 | OPTIONNELLES 1 (FIXATIONS DE DIRECTION) | B4 |
| FIG. 27 | KITS DE REPARATION 1 | B5 |
| FIG. 28 | KITS DE REPARATION 2 | B6 |
| FIG. 29 | KITS DE REPARATION 3 (F50A/F45A) | B7, C1 |
| FIG. 30 | KITS DE REPARATION 4 (F50B) | C2, C3 |

INDEX NUMERIQUE

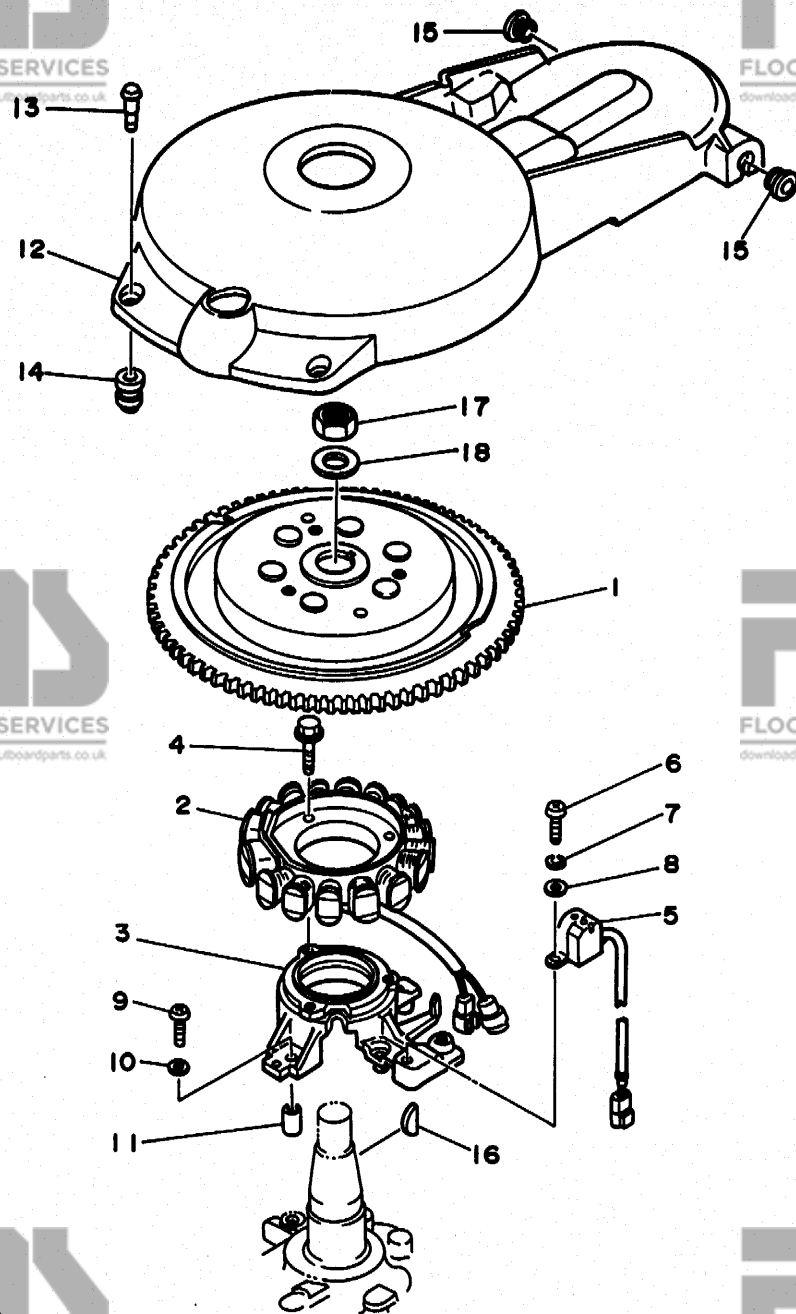


FIG. 22 GENERATOR

GENERATRICE

| REF. NO. | PART NO. NO. PIECES | DESCRIPTION DESCRIPTION | Q'TY QTE | REMARKS REMARQUES |
|----------|---------------------|-----------------------------|----------|-------------------|
| 1 | 62Y-85550-01 | ROTOR ASSY | 1 | UR |
| | | ROTOR CPLT | | |
| | 62Y-85550-10 | ROTOR ASSY | 1 | UR F45A |
| | | ROTOR CPLT | | |
| 2 | 62Y-85510-00 | STATOR ASSY | 1 | |
| | | STATOR CPLT | | |
| 3 | 62Y-85561-00-94 | BASE, MAGNETO | 1 | |
| | | BASE, MAGNETO | | |
| 4 | 95024-06025 | BOLT | 3 | |
| | | BOULON, A COLLERETTE | | |
| 5 | 62Y-85580-00 | COIL, PULSER | 1 | |
| | | BOBINE, PULSEUR | | |
| 6 | 98580-05012 | SCREW, PAN HEAD | 2 | |
| | | VIS | | |
| 7 | 92990-05100 | WASHER, SPRING | 2 | |
| | | RONDELLE, GROWER | | |
| 8 | 92990-05600 | WASHER, PLATE | 2 | |
| | | RONDELLE, PLATE | | |
| 9 | 98580-06025 | SCREW, PAN HEAD | 4 | |
| | | VIS | | |
| 10 | 92990-06600 | WASHER, PLATE | 4 | |
| | | RONDELLE, PLATE | | |
| 11 | 99530-08012 | PIN, DOWEL | 2 | |
| | | GOUJON, D'ASSEMBLAGE | | |
| 12 | 62Y-81337-00 | COVER, FLYWHEEL | 1 | |
| | | COUVERCLE, VOLANT | | |
| 13 | 6K7-81338-01 | CLAMP, LEAD | 2 | |
| | | COLLIER, FIL | | |
| 14 | 663-82317-01 | DAMPER, IGNITION COIL | 2 | |
| | | AMORTISSEUR, BOBINE D'ALLUM | | |
| 15 | 90480-12072 | GROMMET | 2 | |
| | | PASSE-FIL | | |
| 16 | 90280-05049 | KEY, WOODRUFF | 1 | |
| | | CLAVETTE, DEMI-LUNE | | |
| 17 | 90170-20137 | NUT | 1 | |
| | | ECROU | | |
| 18 | 90201-21M18 | WASHER, PLATE | 1 | |
| | | RONDELLE, PLATE | | |

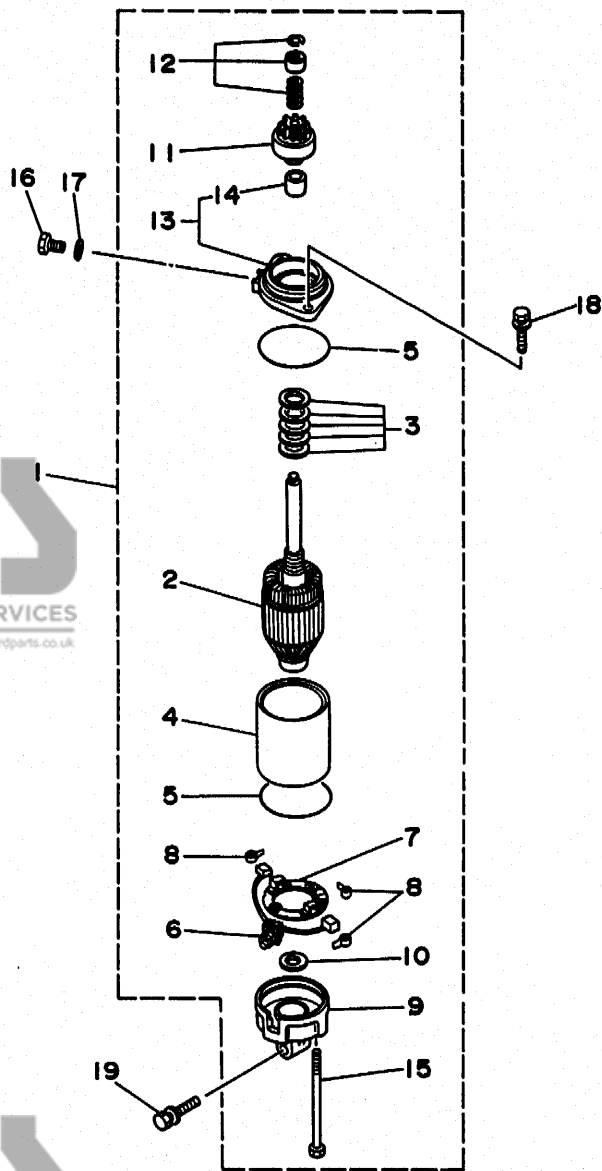


FIG 23 STARTING MOTOR

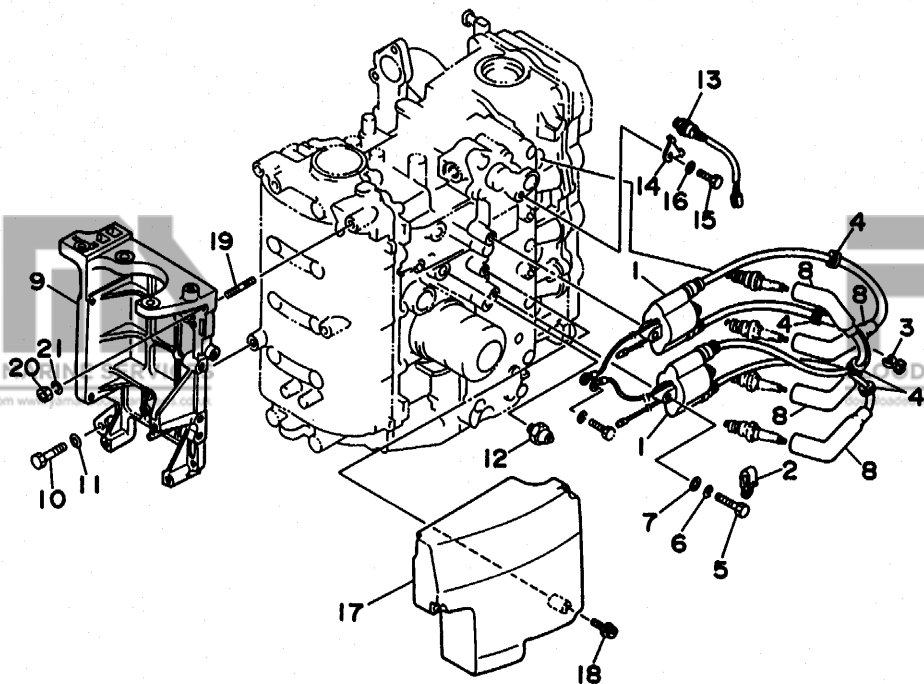
DEMARREUR ELECTRIQUE

| REF. NO. | PART NO. NO. PIECES | DESCRIPTION DESCRIPTION | Q'TY QTE | REMARKS REMARQUES |
|----------|---------------------|---|----------|-------------------|
| 1 | 6E5-81800-12 | STARTING MOTOR ASSY DEMARREUR ELECTRIQUE COMPLET | 1 | |
| 2 | 6E5-81850-11 | .ARMATURE ASSY .INDUIT | 1 | |
| 3 | 6E5-81809-10 | .WASHER KIT .JEU DE RONDELLES | 1 | |
| 4 | 6E5-81810-10 | .STATOR ASSY .STATOR COMPLET | 1 | |
| 5 | 6E5-81847-10 | .O-RING .JOINT TORIQUE | 2 | |
| 6 | 6E5-81801-10 | .BRUSH SET .CHARBON | 1 | |
| 7 | 6E5-81840-10 | .BRUSH HOLDER ASSY .SUPPORT DE CHARBON | 1 | |
| 8 | 6E5-81813-10 | .SPRING, BRUSH .RESSORT, DE CHARBON | 3 | |
| 9 | 6E5-81820-11 | .REAR BRACKET ASSY .SUPPORT ARRIERE COMPLET | 1 | |
| 10 | 6E5-81824-00 | .WASHER 2 .RONDELLE 2 | 1 | |
| 11 | 6E5-81807-11 | .GEAR ASSY, STARTING MOTOR .PIGNON, DEMARREUR ELECTRIQUE | 1 | |
| 12 | 61H-81857-00 | .RETAINER .ARRETOIR | 1 | |
| 13 | 6E5-81830-10 | .FRONT BRACKET ASSY .SUPPORT AVANT | 1 | |
| 14 | 688-81831-00 | ..METAL, FRONT ..METAL, AVANT | 1 | |
| 15 | 6E5-81826-10 | .BOLT .BOULON | 2 | |
| 16 | 97095-08016 | BOLT BOULON | 1 | |
| 17 | 92995-08600 | WASHER RONDELLE | 1 | |
| 18 | 90119-08M76 | BOLT, WITH WASHER BOULON, AVEC RONDELLE | 2 | |
| 19 | 90119-08M77 | BOLT, WITH WASHER BOULON, AVEC RONDELLE | 1 | |

FIG 24 ELECTRICAL 1

PARTIE ELECTRIQUE 1

| REF. NO. | PART NO. NO. PIECES | DESCRIPTION DESCRIPTION | Q'TY QTE | REMARKS REMARQUES |
|----------|---------------------|--|----------|-------------------|
| 1 | 62Y-85570-00 | IGNITION COIL ASSY BOBINE D'ALLUMAGE (ENS.) | 2 | |
| 2 | 90465-06M28 | CLAMP BRIDE | 1 | |
| 3 | 90464-07M41 | CLAMP BRIDE | 1 | |
| 4 | 90480-25161 | GROMMET PASSE-FIL | 4 | |
| 5 | 97095-06030 | BOLT BOULON | 4 | |
| 6 | 92995-06100 | WASHER, SPRING RONDELLE, GROWER | 4 | |
| 7 | 92990-06600 | WASHER, PLATE RONDELLE, PLATE | 4 | |
| 8 | 6G8-82370-20 | PLUG CAP ASSY ANTIPARASITE | 4 | |
| 9 | 62Y-81822-00-94 | BRACKET, STARTING MOTOR SUPPORT, DEMARREUR ELECTRIQUE | 1 | |
| 10 | 97095-08035 | BOLT BOULON | 3 | |
| 11 | 92995-08600 | WASHER RONDELLE | 3 | |
| 12 | 62Y-82504-00 | OIL PRESSURE SWITCH ASSY CONTACTEUR DE PRESSION D'HUILE | 1 | |
| 13 | 62Y-82560-01 | THERMO SWITCH ASSY THERMO-CONTACT COMPLET | 1 | |
| 14 | 6E9-82588-00 | PLATE PLAQUE | 1 | |
| 15 | 97095-06012 | BOLT BOULON | 1 | |
| 16 | 92990-06600 | WASHER, PLATE RONDELLE, PLATE | 1 | |
| 17 | 62Y-85599-00 | COVER COUVERCLE | 1 | |
| 18 | 90159-06M08 | SCREW, WITH WASHER VIS, AVEC RONDELLE | 3 | |
| 19 | 90116-08M14 | BOLT, STUD GOUJON | 1 | |
| 20 | 95380-08600 | NUT ECROU | 1 | |
| 21 | 92990-08100 | WASHER, SPRING RONDELLE, GROWER | 1 | |



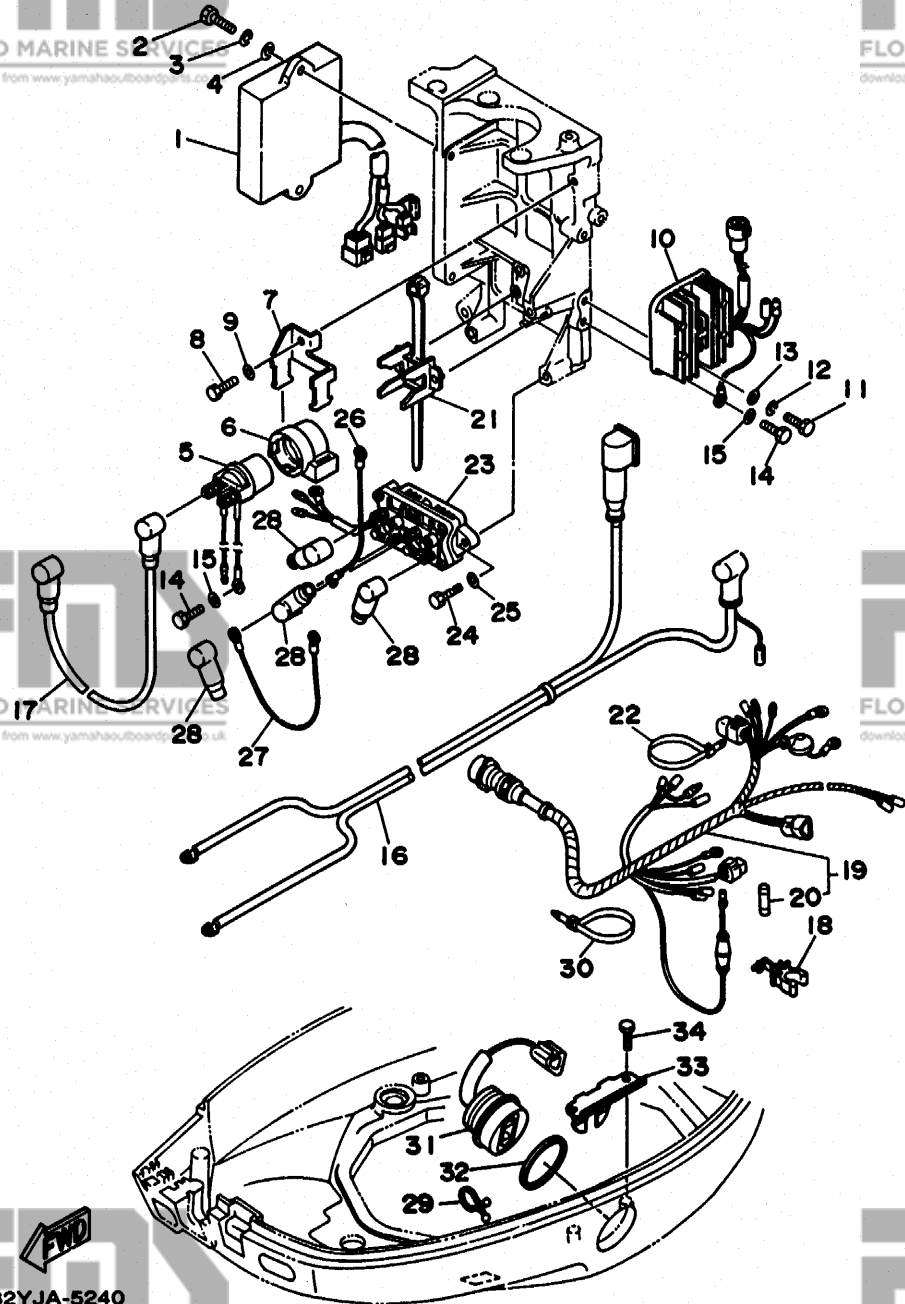


FIG. 25 ELECTRICAL 2

PARTIE ELECTRIQUE 2

| REF. NO. | PART NO. NO. PIECES | DESCRIPTION DESCRIPTION | Q'TY QTE | REMARKS REMARQUES |
|----------|---------------------|--|-----------|-------------------|
| 1 | 62Y-85540-01 | C.D.I. UNIT ASSY BLOC C.D.I. | 1 UR | |
| | 62Y-85540-10 | C.D.I. UNIT ASSY BLOC C.D.I. | 1 UR F45A | |
| 2 | 97095-06020 | BOLT BOULON | 2 | |
| 3 | 92995-06100 | WASHER, SPRING RONDELLE, GROWER | 2 | |
| 4 | 92990-06600 | WASHER, PLATE RONDELLE, PLATE | 2 | |
| 5 | 6G1-81941-10 | STARTER RELAY ASSY LANCEUR RELAIS (ENS.) | 1 | |
| 6 | 6G1-81952-00 | HOLDER, RELAY SUPPORT, RELAIS | 1 | |
| 7 | 6L2-81945-00 | PLATE, SWITCH FITTING PLAQUE, FIXATION DU RELAIS | 1 | |
| 8 | 97095-06014 | BOLT BOULON | 1 | |
| 9 | 92990-06600 | WASHER, PLATE RONDELLE, PLATE | 1 | |
| 10 | 62Y-81960-10 | RECTIFIER & REGULATOR ASSY REDRESSEUR REGULATEUR CPLT | 1 | |
| 11 | 97095-06025 | BOLT BOULON | 2 | |
| 12 | 92995-06100 | WASHER, SPRING RONDELLE, GROWER | 2 | |
| 13 | 92990-06600 | WASHER, PLATE RONDELLE, PLATE | 2 | |
| 14 | 97095-06012 | BOLT BOULON | 4 | |
| 15 | 92990-06600 | WASHER, PLATE RONDELLE, PLATE | 4 | |
| 16 | 62Y-82105-00 | WIRE HARNESS FAISCEAU DE FILS | 1 | |
| 17 | 6E5-82117-00 | WIRE, LEAD FIL | 1 | |
| 18 | 6G5-82152-00 | HOLDER, FUSE SUPPORT, FUSIBLE | 1 | |
| 19 | 62Y-82590-00 | WIRE HARNESS ASSY FAISCEAU DE FILS COMPLET | 1 UR | |
| | 62Y-82590-10 | WIRE HARNESS ASSY FAISCEAU DE FILS COMPLET | 1 UR PTT | |
| 20 | 682-82151-00 | .FUSE (20A) .FUSIBLE (20A) | 1 | |
| 21 | 688-82594-00 | CLAMP BRIDE | 1 | |
| 22 | 437-83936-11 | BAND, SWITCH CORD COLLIER, CORDON DE COMMUTEUR | 1 | |
| 23 | 6H1-81950-00 | RELAY ASSY RELAIS COMPLET | 1 PTT | |
| 24 | 97095-06025 | BOLT BOULON | 2 PTT | |
| 25 | 92990-06600 | WASHER, PLATE RONDELLE, PLATE | 2 PTT | |
| 26 | 6H2-81949-01 | WIRE, LEAD FIL | 1 PTT | |

FIG. 25 ELECTRICAL 2

PARTIE ELECTRIQUE 2

| REF. NO. | PART NO. NO. PIECES | DESCRIPTION DESCRIPTION | Q'TY QTE | REMARKS REMARQUES |
|----------|---------------------|--|----------|-------------------|
| 27 | 61A-81949-00 | WIRE, LEAD | 1 PTT | |
| 28 | 682-82119-01 | FIL COVER, LEAD WIRE GARNITURE, FIL | 4 PTT | |
| 29 | 90464-16039 | CLAMP BRIDE | 1 | |
| 30 | 437-83936-11 | BAND, SWITCH CORD | 1 | |
| 31 | 63D-82563-10 | COLLIER, CORDON DE COMMUTEUR TRIM & TILT SWITCH ASSY | 1 PTT | |
| 32 | 6E5-82587-00 | GASKET JOINT | 1 PTT | |
| 33 | 62Y-83614-00 | BRACKET SUPPORT | 1 PTT | |
| 34 | 97095-06012 | BOLT BOULON | 2 PTT | |

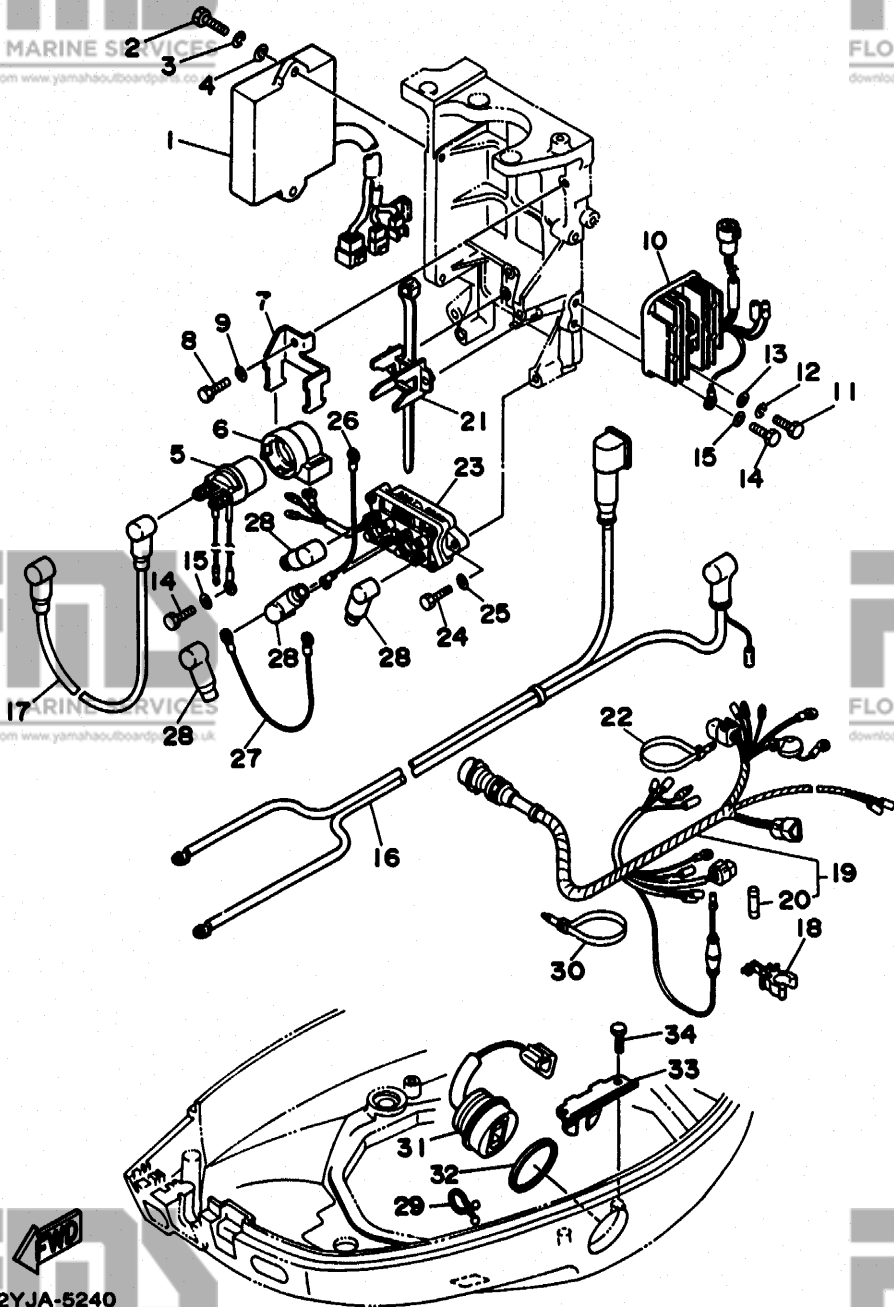
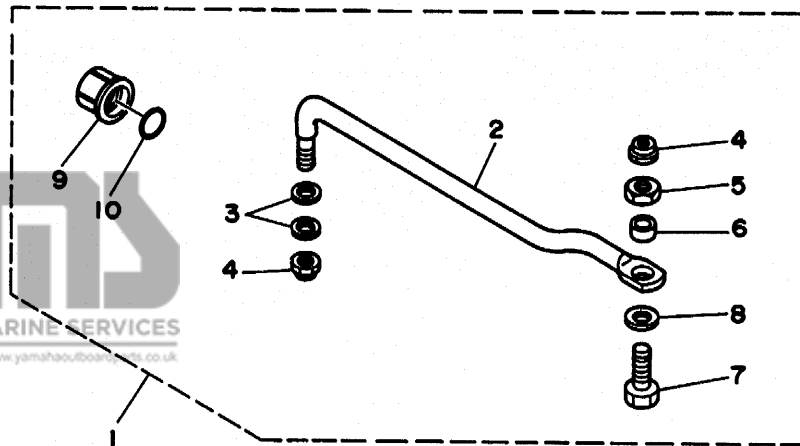


FIG. 26 ALTERNATE 1 (STEERING GUIDE ATTACHMENT)
FIG. 26 OPTIONNELLES 1 (FIXATIONS DE DIRECTION)

| REF. NO. | PART NO. NO. PIECES | DESCRIPTION DESCRIPTION | Q'TY QTE | REMARKS REMARQUES |
|----------|---------------------|---|----------|-------------------|
| 1 | 63D-61350-00 | STEERING GUIDE ATTACHMENT KIT FIXATIONS DE DIRECTION | 1 | |
| 2 | 63D-61351-00 | .ROD, STEERING LINK .RENOI DE DIRECTION | 1 | |
| 3 | 90201-10M20 | .WASHER, PLATE .RONDELLE, PLATE | 2 | |
| 4 | 90185-09M01 | .NUT, SELF-LOCKING .ECROU, AUTO-BLOCANT | 2 | |
| 5 | 90170-09M03 | .NUT .ECROU | 1 | |
| 6 | 90387-10M42 | .COLLAR .COLLERETTE | 1 | |
| 7 | 90101-09M01 | .BOLT .BOULON | 1 | |
| 8 | 90201-10M63 | .WASHER, PLATE .RONDELLE, PLATE | 1 | |
| 9 | 6E5-43145-00 | .CAP, CLAMP BRACKET .CAPUCHON, PRESSE | 1 | |
| 10 | 93210-16275 | .O-RING .JOINT TORIQUE | 1 | |



**POWER HEAD
GASKET KIT**

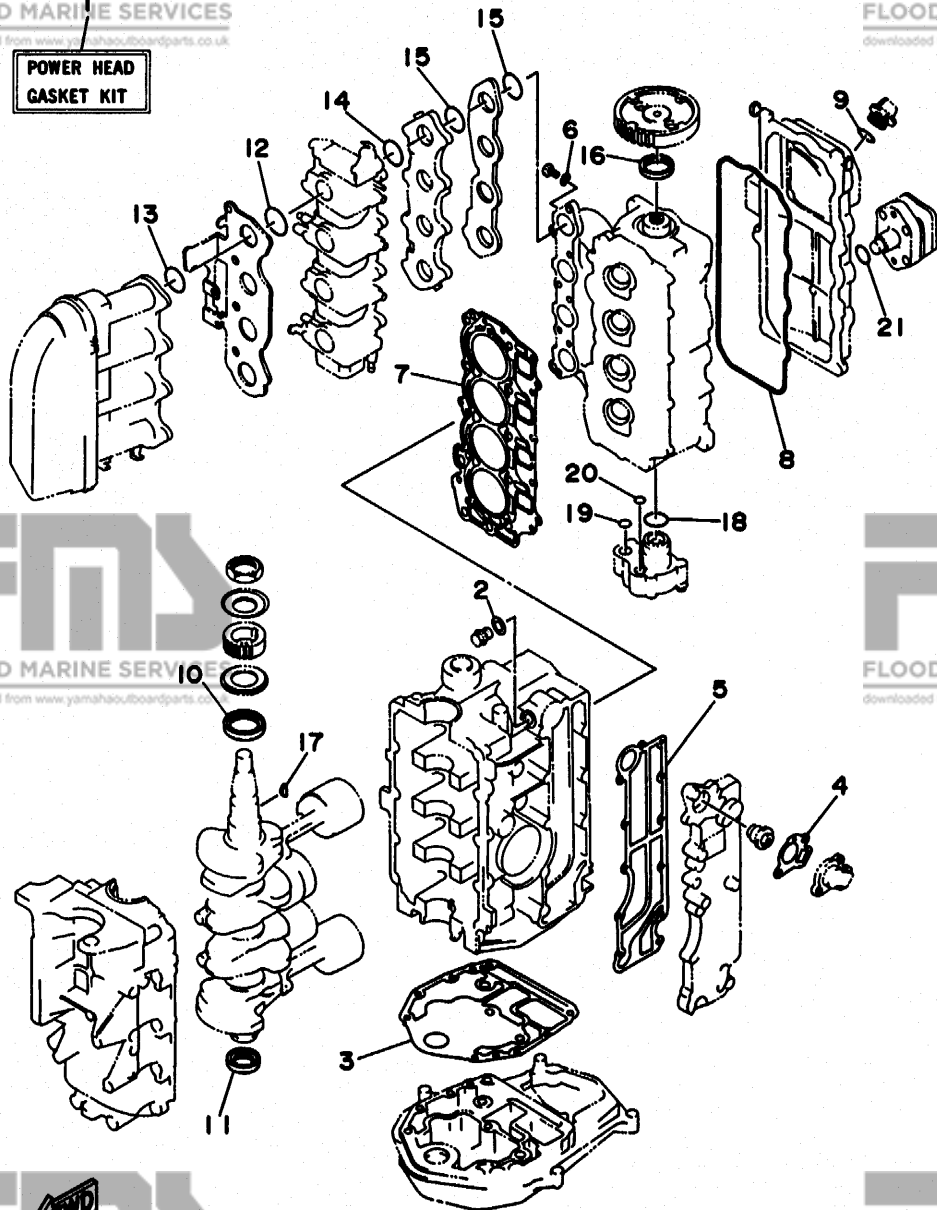


FIG. 27 REPAIR KIT 1

KITS DE REPARATION 1

| REF. NO. | PART NO. NO. PIECES | DESCRIPTION DESCRIPTION | Q'TY QTE | REMARKS REMARQUES |
|----------|---------------------|--|----------|-------------------|
| 1 | 62Y-W0001-00 | POWER HEAD GASKET KIT POCHETTE DE JOINTS TETE MOTRICE | 1 | |
| 2 | 90430-14115 | .GASKET .JOINT | 1 | |
| 3 | 62Y-11351-00 | .GASKET, CYLINDER .JOINT, D'EMBASE | 1 | |
| 4 | 62Y-12414-00 | .GASKET, COVER .JOINT, COUVERCLE | 1 | |
| 5 | 62Y-41114-00 | .GASKET, EXHAUST OUTER COVER .JOINT, COUVERCLE D'ECHAPPEMEN | 1 | |
| 6 | 90430-06014 | .GASKET .JOINT | 1 | |
| 7 | 62Y-11181-00 | .GASKET, CYLINDER HEAD 1 .JOINT, DE CULASSE 1 | 1 | |
| 8 | 62Y-11356-00 | .SEAL, CYLINDER 2 .JOINT, SPY CYLINDRE | 1 | |
| 9 | 93210-25070 | .O-RING .JOINT TORIQUE | 1 | |
| 10 | 93102-43M42 | .OIL SEAL .JOINT SPY | 1 | |
| 11 | 93102-35M41 | .OIL SEAL .JOINT SPY | 1 | |
| 12 | 93210-35M86 | .O-RING .JOINT TORIQUE | 4 | |
| 13 | 93210-38MH3 | .O-RING .JOINT TORIQUE | 4 | |
| 14 | 93210-30MH4 | .O-RING .JOINT TORIQUE | 4 | |
| 15 | 93210-35M86 | .O-RING .JOINT TORIQUE | 8 | |
| 16 | 93102-37M40 | .OIL SEAL .JOINT SPY | 1 | |
| 17 | 90280-04M06 | .KEY, WOODRUFF .CLAVETTE, DEMI-LUNE | 1 | |
| 18 | 93210-33MH2 | .O-RING .JOINT TORIQUE | 1 | |
| 19 | 93210-12MG9 | .O-RING .JOINT TORIQUE | 1 | |
| 20 | 93210-14515 | .O-RING .JOINT TORIQUE | 1 | |
| 21 | 93210-25070 | .O-RING .JOINT TORIQUE | 1 | |

**CARBURETOR
REPAIR KIT**

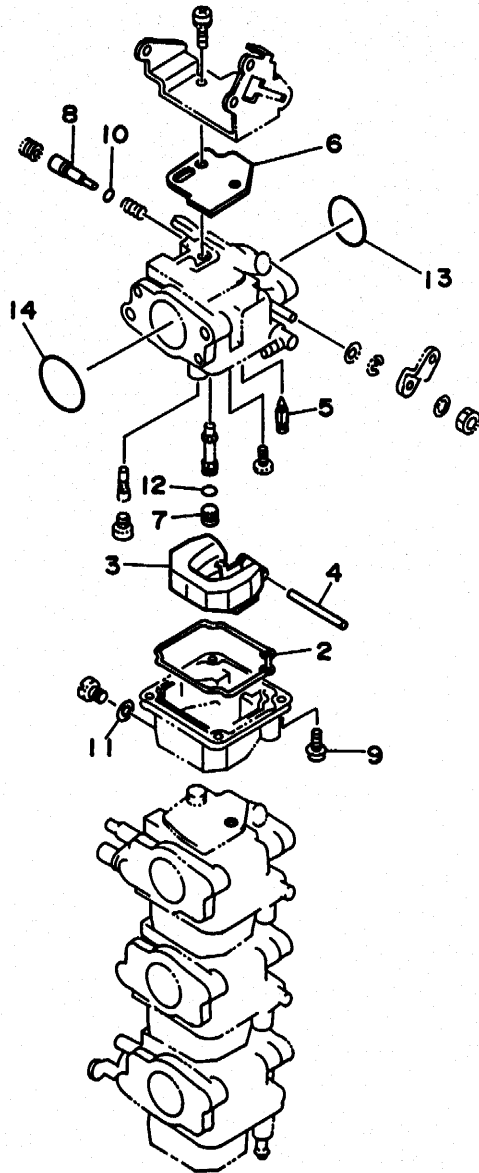


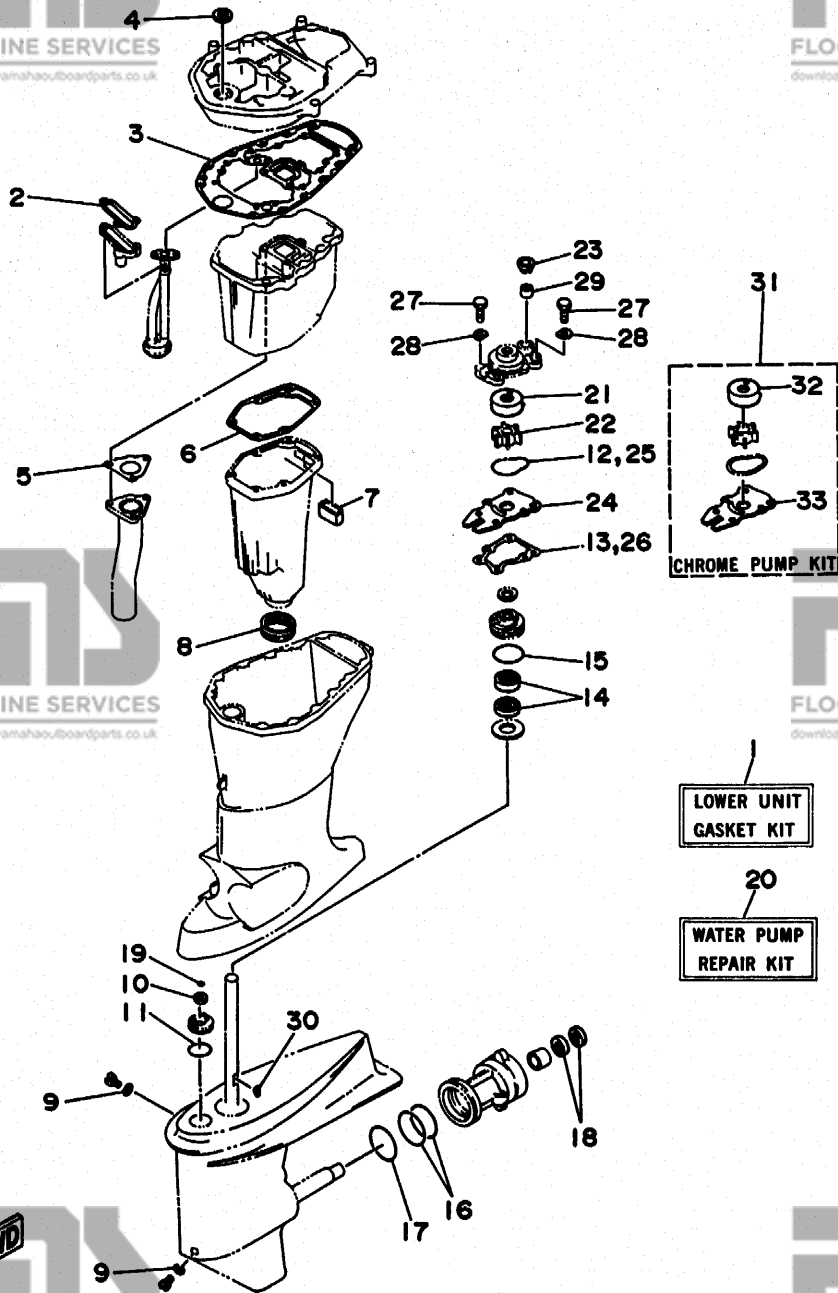
FIG. 28 REPAIR KIT 2

KITS DE REPARATION 2

| REF. NO. | PART NO. NO. PIECES | DESCRIPTION DESCRIPTION | Q'TY QTE | REMARKS REMARQUES |
|----------|---------------------|--|----------|-------------------|
| 1 | 62Y-W0093-00 | CARBURETOR REPAIR KIT KIT DE REPARATION CARBURATEUR | 1 | |
| 2 | 6L2-14384-00 | .GASKET, FLOAT CHAMBER .JOINT, CUVE DE FLOTTEUR | 1 | |
| 3 | 6L2-14385-00 | .FLOAT .FLOTTEUR | 1 | |
| 4 | 6E5-14386-01 | .PIN, FLOAT .AXE, FLOTTEUR | 1 | |
| 5 | 6L2-14392-00 | .VALVE, NEEDLE .POINTEAU | 1 | |
| 6 | 62Y-14399-00 | .VALVE, BIMETAL .CLAPET, BILAME | 1 | |
| 7 | 62Y-14355-00 | .NOZZLE, MAIN 2 .PUITS D'AIGUILLE | 1 | |
| 8 | 12V-14105-00 | .PILOT SCREW SET .JEU DE VIS DE RICHESSE | 1 | |
| 9 | 97980-04112 | .SCREW, WITH WASHER .VIS, AVEC RONDELLE | 4 | |
| 10 | 5H0-14397-00 | .O-RING .JOINT TORIQUE | 1 | |
| 11 | 62Y-14398-00 | .GASKET .JOINT | 1 | |
| 12 | 6F5-14397-00 | .O-RING .JOINT TORIQUE | 1 | |
| 13 | 93210-30MH4 | .O-RING .JOINT TORIQUE | 4 | |
| 14 | 93210-35M86 | .O-RING .JOINT TORIQUE | 4 | |

62YJA-5280

B6



62YJA-5290

FIG. 29 REPAIR KIT 3 (F50A/F45A)
FIG. 29 KITS DE REPARATION 3 (F50A/F45A)

| REF. NO. | PART NO. NO. PIECES | DESCRIPTION DESCRIPTION | Q'TY QTE | REMARKS REMARQUES |
|----------|---------------------|--|----------|-------------------|
| 1 | 62Y-W0001-20 | LOWER UNIT GASKET KIT POCHETTE DE JOINTS EMBASE | 1 | |
| 2 | 62Y-13475-00 | .GASKET .JOINT | 1 | |
| 3 | 62Y-15312-00 | .GASKET, OIL PAN .JOINT DE VENTILATEUR D'HUILE | 1 | |
| 4 | 93101-16M36 | .OIL SEAL .JOINT SPY | 1 | |
| 5 | 62Y-41133-00 | .GASKET, EXHAUST MANIFOLD 1 .JOINT, PIPE D'ECHAPPEMENT | 1 | |
| 6 | 62Y-41134-00 | .GASKET, EXHAUST MANIFOLD .JOINT, PIPE D'ECHAPPEMENT | 1 | |
| 7 | 62Y-45127-00 | .SEAL .JOINT | 1 | |
| 8 | 663-45123-00 | .GASKET, MUFFLER .JOINT, POT DE DETENTE | 1 | |
| 9 | 90430-08020 | .GASKET .JOINT | 2 | |
| 10 | 93106-09014 | .OIL SEAL .JOINT SPY | 1 | |
| 11 | 93210-33MG4 | .O-RING .JOINT TORIQUE | 1 | |
| 12 | 93210-59MG7 | .O-RING .JOINT TORIQUE | 1 | |
| 13 | 63D-44316-00 | .GASKET, WATER PUMP .JOINT, POMPE A EAU | 1 | |
| 14 | 93101-25M57 | .OIL SEAL .JOINT SPY | 2 | |
| 15 | 93210-48MG8 | .O-RING .JOINT TORIQUE | 1 | |
| 16 | 93210-74MG5 | .O-RING .JOINT TORIQUE | 2 | |
| 17 | 93210-69MG6 | .O-RING .JOINT TORIQUE | 1 | |
| 18 | 93101-22067 | .OIL SEAL .JOINT SPY | 2 | |
| 19 | 93210-07540 | .O-RING .JOINT TORIQUE | 1 | |
| 20 | 63D-W0078-00 | WATER PUMP REPAIR KIT KIT DE REPARATION DE LA POMPE A EAU | 1 | |
| 21 | 63D-44322-00 | .INSERT, CARTRIDGE .CUVETTE | 1 | |
| 22 | 6H3-44352-00 | .IMPELLER .TURBINE | 1 | |
| 23 | 63D-44312-00 | .COVER, WATER PUMP HOUSING .COUVERCLE | 1 | |
| 24 | 63D-44323-00 | .OUTER PLATE, CARTRIDGE .PLAQUE EXTERIEURE | 1 | |
| 25 | 93210-59MG7 | .O-RING .JOINT TORIQUE | 1 | |
| 26 | 63D-44316-00 | .GASKET, WATER PUMP .JOINT, POMPE A EAU | 1 | |
| 27 | 97095-08030 | .BOLT .BOULON | 4 | |
| 28 | 90209-08M02 | .WASHER .RONDELLE | 4 | |

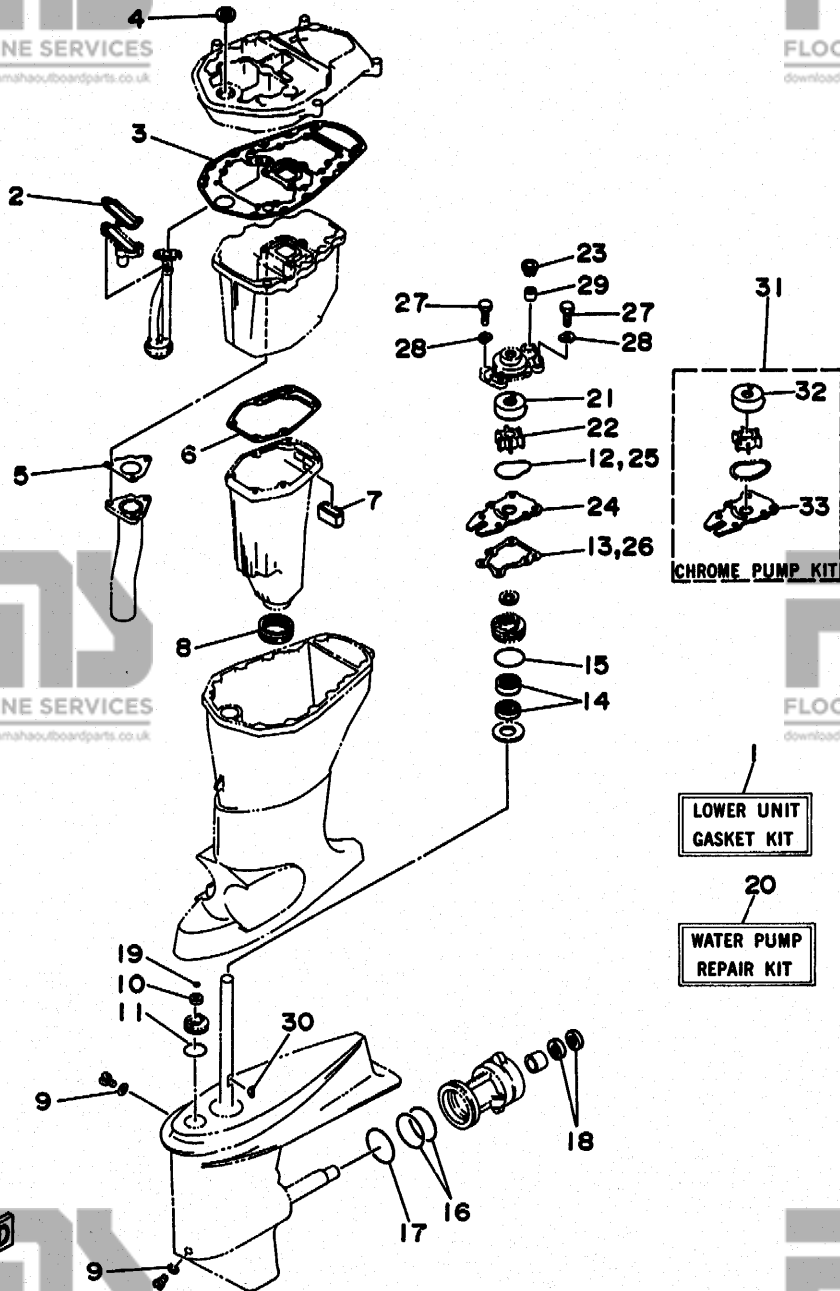
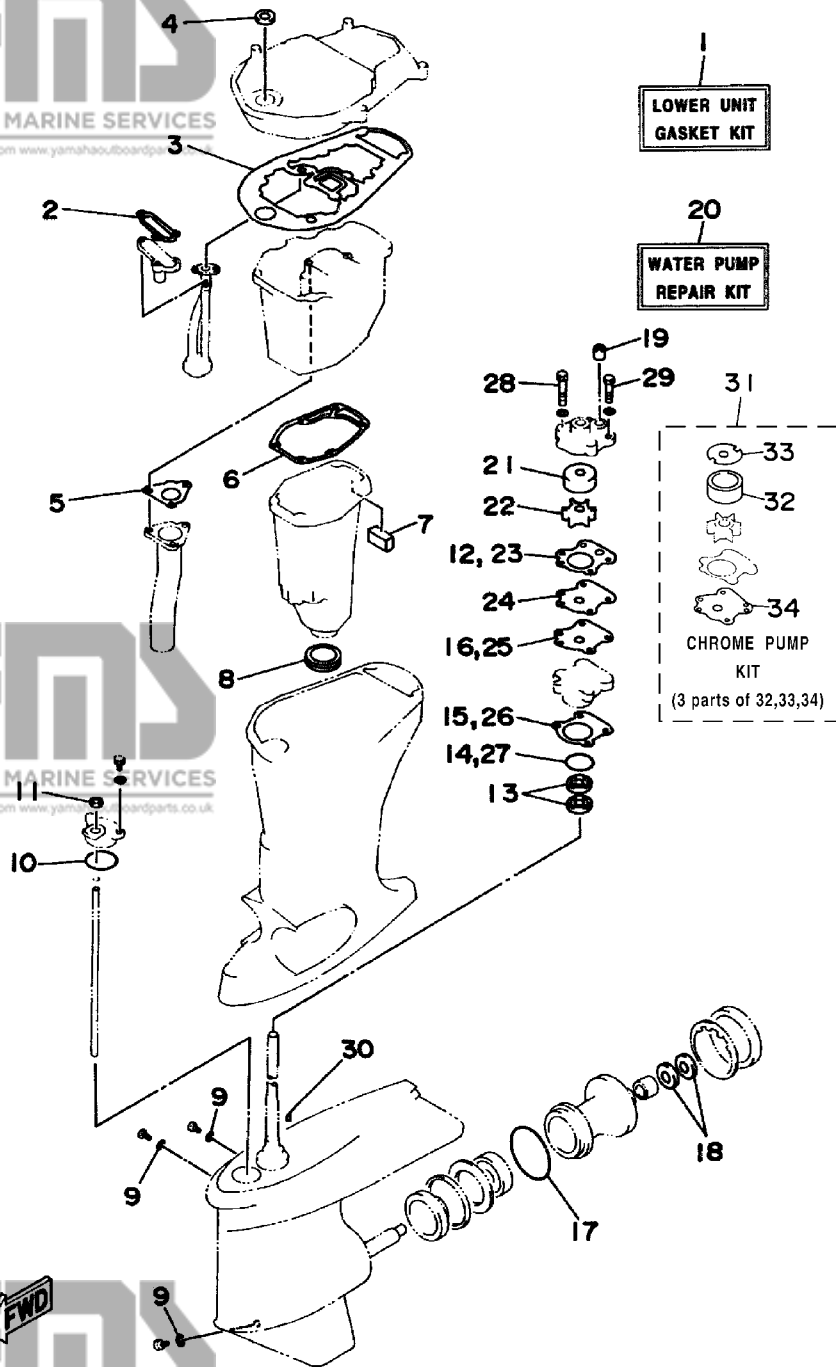


FIG. 29 REPAIR KIT 3 (F50A/F45A)
FIG. 29 KITS DE REPARATION 3 (F50A/F45A)

| REF. NO. | PART NO. NO. PIECES | DESCRIPTION DESCRIPTION | Q'TY QTE | REMARKS REMARQUES |
|----------|---------------------|---|----------|-------------------|
| 29 | 663-44366-00 | .DAMPER, WATER SEAL .JOINT, TUBE D'EAU | 1 | |
| 30 | 90280-03024 | .KEY, WOODRUFF .CLAVETTE, DEMI-LUNE | 1 | |
| 31 | 63D-W0078-0A | CHROME PUMP KIT KIT DE POMPE A EAU CHROME | 1 | |
| 32 | 63D-44322-40 | .INSERT, CARTRIDGE .CUVETTE | 1 | |
| 33 | 63D-44323-40 | .OUTER PLATE, CARTRIDGE .PLAQUE EXTERIEURE | 1 | |

LOWER UNIT
GASKET KIT

20
WATER PUMP
REPAIR KIT

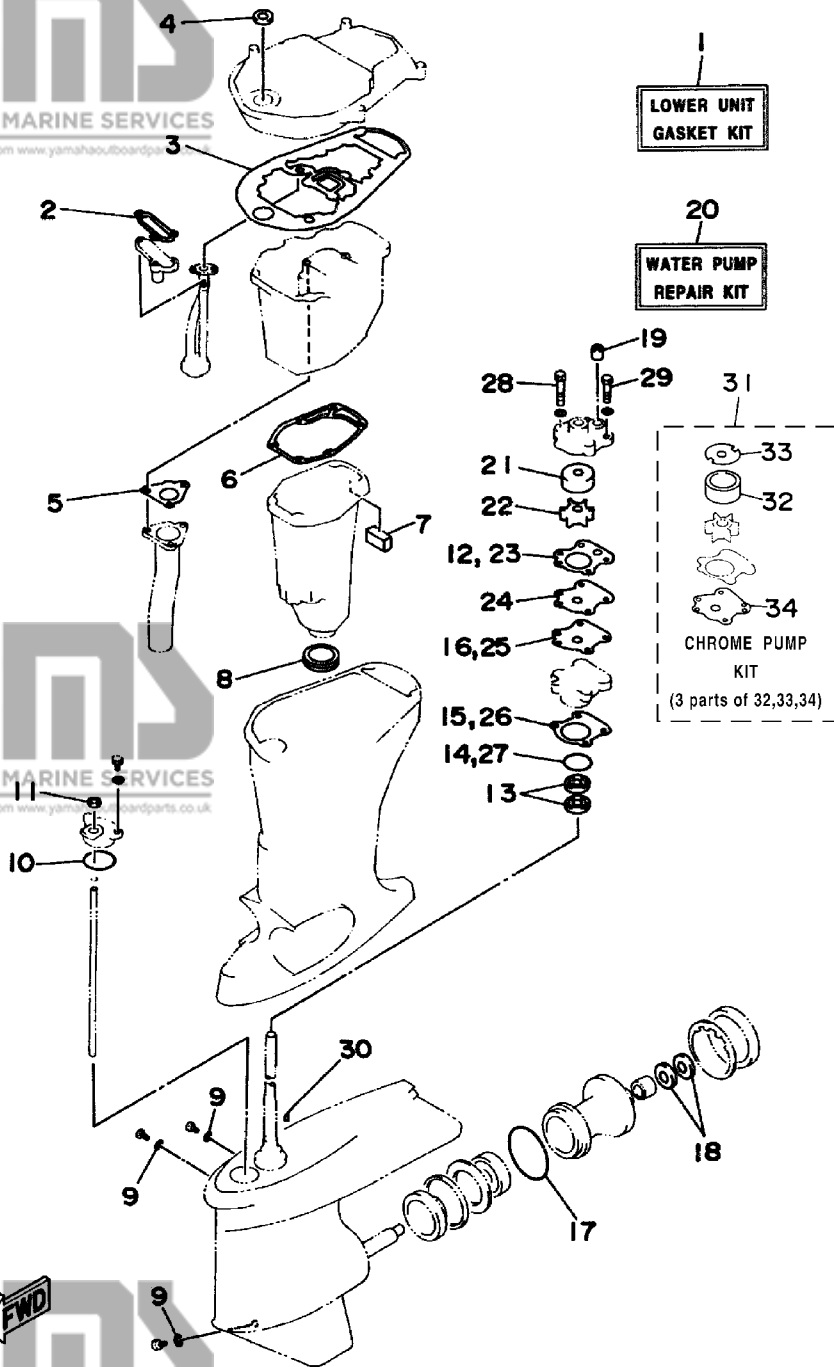


64JUS-5330

FIG. 30 REPAIR KIT 4 (F50B)

KITS DE PEARATION 4 (F50B)

| REF. NO. | PART NO. NO. PIECES | DESCRIPTION DESCRIPTION | Q'TY QTE | REMARKS REMARQUES |
|----------|---------------------|--|----------|-------------------|
| 1 | 64J-W0001-20 | LOWER UNIT GASKET KIT POCHETTE DE JOINTS EMBASE | 1 | |
| 2 | 62Y-13475-00 | .GASKET .JOINT | 1 | |
| 3 | 62Y-15312-00 | .GASKET, OIL PAN .JOINT DE VENTILATEUR D'HUILE | 1 | |
| 4 | 93101-16M36 | .OIL SEAL .JOINT SPY | 1 | |
| 5 | 62Y-41133-00 | .GASKET, EXHAUST MANIFOLD 1 | 1 | |
| 6 | 62Y-41134-00 | .JOINT, PIPE D'ECHAPPEMENT .GASKET, EXHAUST MANIFOLD | 1 | |
| 7 | 62Y-45127-00 | .JOINT, PIPE D'ECHAPPEMENT .SEAL .JOINT | 1 | |
| 8 | 663-45123-00 | .GASKET, MUFFLER .JOINT, POT DE DETENTE | 1 | |
| 9 | 90430-08020 | .GASKET .JOINT | 3 | |
| 10 | 93210-49046 | .O-RING .JOINT TORIQUE | 1 | |
| 11 | 93106-09014 | .OIL SEAL .JOINT SPY | 1 | |
| 12 | 6H3-44315-A0 | .GASKET, WATER PUMP .JOINT, POMPE A EAU | 1 | |
| 13 | 93101-23070 | .OIL SEAL .JOINT SPY | 2 | |
| 14 | 93210-46044 | .O-RING .JOINT TORIQUE | 1 | |
| 15 | 688-44316-A0 | .GASKET, WATER PUMP .JOINT, POMPE A EAU | 1 | |
| 16 | 6H3-44324-A0 | .GASKET, CARTRIDGE .JOINT | 1 | |
| 17 | 93210-85M97 | .O-RING .JOINT TORIQUE | 1 | |
| 18 | 93101-25M03 | .OIL SEAL .JOINT SPY | 2 | |
| 19 | 663-44366-00 | .DAMPER, WATER SEAL .JOINT, TUBE D'EAU | 1 | |
| 20 | 6H3-W0078-01 | WATER PUMP REPAIR KIT KIT DE REPARATION DE LA POMPE A EAU | 1 | |
| 21 | 663-44322-00 | .INSERT, CARTRIDGE .CUVETTE | 1 | |
| 22 | 6H3-44352-00 | .IMPELLER .TURBINE | 1 | |
| 23 | 6H3-44315-A0 | .GASKET, WATER PUMP .JOINT, POMPE A EAU | 1 | |
| 24 | 6H3-44323-00 | .OUTER PLATE, CARTRIDGE .PLAQUE EXTERIEURE | 1 | |
| 25 | 6H3-44324-A0 | .GASKET, CARTRIDGE .JOINT | 1 | |
| 26 | 688-44316-A0 | .GASKET, WATER PUMP .JOINT, POMPE A EAU | 1 | |
| 27 | 93210-46044 | .O-RING .JOINT TORIQUE | 1 | |
| 28 | 97095-08045 | .BOLT .BOULON | 2 | |



64JUS-5330

FIG. 30 REPAIR KIT 4 (F50B)

KITS DE PEARATION 4 (F50B)

| REF. NO. | PART NO. NO. PIECES | DESCRIPTION DESCRIPTION | Q'TY QTE | REMARKS REMARQUES |
|----------|---------------------|---|----------|-------------------|
| 29 | 97095-08055 | .BOLT .BOULON | 2 | |
| 30 | 90280-03M03 | .KEY, WOODRUFF .CLAVETTE, DEMI-LUNE | 1 | |
| 31 | 6H3-W0078-0A | CHROME PUMP KIT KIT DE POMPE A EAU CHROMEE | 1 | |
| 32 | 670-44322-01 | .INSERT, CARTRIDGE .CUVETTE | 1 | |
| 33 | 670-44321-00 | .INNER PLATE, CARTRIDGE .CUVETTE | 1 | |
| 34 | 6H3-44323-40 | .OUTER PLATE, CARTRIDGE .PLAQUE EXTERIEURE | 1 | |

| PART NO. NO. PIECES | REF. NO. |
|------------------------|-------------|
| 62Y-W0001-00 | 27- 1 |
| 62Y-W0001-20 | 29- 1 |
| 64J-W0001-20 | 30- 1 |
| 62Y-W0070-00 | 11-12 |
| 6H3-W0078-0A | 30-31 |
| 6H3-W0078-01 | 30-20 |
| 63D-W0078-0A | 29-31 |
| 63D-W0078-00 | 29-20 |
| 62Y-W009A-00-4D | 2- 1 |
| 62Y-W009A-10-4D | 2- 1 |
| 62Y-W009B-00-4D | 1- 1 |
| 62Y-W0093-00 | 28- 1 |
| 62Y-11111-00-94 | 2- 2 |
| 62Y-11111-10-94 | 2- 2 |
| 62Y-11119-00 | 2-27 |
| 62Y-11133-10 | 2- 3 |
| 62Y-11168-00 | 2-21 |
| 62Y-11181-00 | 2-14 |
| 62Y-11191-00-9M | 27- 7 |
| 62Y-11191-00-9M | 2-19 |
| 6J8-11325-00 | 2- 5 |
| 6H3-11327-00-94 | 2- 7 |
| 62Y-11328-00 | 2- 6 |
| 62Y-11351-00 | 1-10 |
| 62Y-11356-00 | 27- 3 |
| 62Y-11356-00 | 2-24 |
| 62Y-11411-00 | 27- 8 |
| 62Y-11416-00 | 3- 3 |
| 62Y-11416-10 | 3- 4 |
| 62Y-11416-20 | 3- 4 |
| 62Y-11536-00 | 8-13 |
| 62Y-11537-00 | 8- 3 |
| 62Y-11557-00 | 8-14 |
| 62Y-11575-00 | 9- 2 |
| 62Y-11590-00 | 8- 8 |
| 62Y-11603-00 | 3- 9 |
| 62Y-11604-00 | 3- 9 |
| 62Y-11605-00 | 3- 9 |
| 62Y-11631-00-96 | 3- 8 |
| 62Y-11633-00 | 3-10 |
| 62Y-11635-00 | 3- 8 |
| 62Y-11636-00 | 3- 8 |
| 62Y-11650-00 | 3- 5 |
| 62Y-11654-00 | 3- 6 |
| 62Y-11656-00 | 3- 7 |
| 62Y-11656-10 | 3- 7 |
| 62Y-11656-20 | 3- 7 |

| PART NO. NO. PIECES | REF. NO. |
|------------------------|-------------|
| 62Y-12111-00 | 4- 1 |
| 51Y-12114-00 | 4- 4 |
| 62Y-12116-00 | 4- 3 |
| 30X-12117-00 | 4- 5 |
| 30X-12118-00 | 4- 6 |
| 51Y-12119-00 | 4- 7 |
| 62Y-1212A-00 | 6-28 |
| 62Y-12121-00 | 4- 2 |
| 62Y-12146-00 | 4- 8 |
| 62Y-12151-00 | 4- 9 |
| 62Y-12158-00 | 4-11 |
| 62Y-12159-00 | 4-10 |
| 62Y-12171-00 | 8- 2 |
| 62Y-12216-00 | 4-14 |
| 62Y-12238-00 | 4-12 |
| 62Y-12279-00 | 4-13 |
| 6G8-12411-02 | 1-11 |
| 6H3-12413-00-9M | 1-12 |
| 62Y-12414-00 | 1-13 |
| 62Y-12481-00 | 27- 4 |
| 62Y-13131-00 | 1-18 |
| 62Y-13300-00 | 10-22 |
| 62Y-13411-00 | 8-17 |
| 3FV-13440-00 | 9- 6 |
| 62Y-13471-00 | 1-15 |
| 62Y-13475-00 | 9-14 |
| 62Y-13586-00-94 | 9- 3 |
| 12V-14105-00 | 29- 2 |
| 62Y-14157-00 | 30- 2 |
| 6L2-14157-00 | 5- 1 |
| 62Y-14157-00 | 7-17 |
| 62Y-14159-00 | 28- 8 |
| 62Y-14175-00 | 7-34 |
| 62Y-14175-10 | 7-39 |
| 646-14212-01 | 7-11 |
| 62Y-14255-00 | 7-35 |
| 62Y-14258-00 | 6-11 |
| 62Y-14267-00 | 6-12 |
| 62Y-14271-00 | 7-30 |
| 62Y-14276-00 | 7-41 |
| 62Y-14291-00 | 6-23 |
| 62Y-14321-00 | 6-27 |
| 62Y-14321-00 | 7-36 |
| 62Y-14321-00 | 5-28 |
| 62Y-14321-00 | 7-26 |
| 62Y-14321-00 | 6- 7 |
| 62Y-14321-00 | 7-19 |

| PART NO. NO. PIECES | REF. NO. |
|------------------------|-------------|
| 62Y-14321-00 | 7-40 |
| 664-14321-01 | 7-45 |
| 62Y-14323-10 | 7-17 |
| 6A0-14325-00 | 10-26 |
| 664-14327-01 | 7-46 |
| 30X-14334-00 | 7-18 |
| 62Y-14341-00 | 7-13 |
| 62Y-14341-10 | 7-13 |
| 62Y-14342-21 | 7-15 |
| 62Y-14343-52 | 7-14 |
| 62Y-14343-56 | 7-14 |
| 62Y-14349-00 | 6-20 |
| 62Y-14349-10 | 6-18 |
| 62Y-14349-20 | 6-19 |
| 62Y-14349-30 | 6-21 |
| 50M-14355-00 | 7-33 |
| 62Y-14355-00 | 7-16 |
| 6A1-14356-00 | 28- 7 |
| 6L2-14357-00 | 7-23 |
| 62Y-14360-00 | 7-32 |
| 654-14363-01 | 6-33 |
| 62Y-14368-01 | 7-24 |
| 62Y-14369-00 | 2-32 |
| 62Y-14372-10 | 6- 1 |
| 62Y-14379-00 | 7-14 |
| 62Y-14380-00 | 7-42 |
| 62Y-14381-00 | 6- 9 |
| 62Y-14381-10 | 7- 5 |
| 62Y-14383-00 | 7-38 |
| 6L2-14384-00 | 7-27 |
| 6L2-14385-00 | 7- 6 |
| 6E5-14386-01 | 28- 2 |
| 6L2-14392-00 | 7- 7 |
| 5H0-14397-00 | 28- 3 |
| 6F5-14397-00 | 7- 8 |
| 62Y-14398-00 | 28- 4 |
| 62Y-14399-00 | 7- 9 |
| 62Y-14413-00 | 28- 5 |
| 62Y-14429-00 | 7-25 |
| 62Y-14429-00 | 28-10 |
| 62Y-14429-00 | 7-31 |
| 62Y-14429-00 | 28-12 |
| 62Y-14429-00 | 7-28 |
| 62Y-14429-00 | 28-11 |
| 62Y-14429-00 | 7-12 |
| 62Y-14429-00 | 28- 6 |
| 62Y-14429-00 | 2-33 |
| 62Y-14429-00 | 6-10 |

NUMERICAL INDEX
INDEX NUMERIQUE

| PART NO. NO. PIECES | REF. NO. |
|------------------------|-------------|
| 62Y-14429-10 | 6-25 |
| 62Y-14440-00 | 5- 5 |
| 62Y-14475-00 | 7-17 |
| 62Y-14475-10 | 6-30 |
| 62Y-14485-00 | 2-20 |
| 62Y-14487-00 | 6-22 |
| 62Y-14555-00 | 6-34 |
| 62Y-14567-00 | 6-14 |
| 62Y-14573-00 | 7-48 |
| 62Y-14578-00 | 6-35 |
| 62Y-14585-00 | 6- 3 |
| 62Y-14585-10 | 6- 4 |
| 62Y-14585-20 | 6- 5 |
| 62Y-14585-30 | 6- 5 |
| 62Y-14585-40 | 6-13 |
| 62Y-14585-50 | 6-16 |
| 62Y-14592-00 | 6- 8 |
| 62Y-14596-00 | 6-31 |
| 62Y-14597-00 | 7-47 |
| 62Y-14711-00-5B | 17- 7 |
| 62Y-14901-00 | 7- 1 |
| 62Y-14901-10 | 7- 1 |
| 62Y-14902-00 | 7- 2 |
| 62Y-14902-10 | 7- 2 |
| 62Y-14903-00 | 7- 3 |
| 62Y-14903-10 | 7- 3 |
| 62Y-14904-00 | 7- 4 |
| 62Y-14904-10 | 7- 4 |
| 62Y-15100-00-94 | 1- 2 |
| 62Y-15311-00-5B | 9-10 |
| 62Y-15312-00 | 9-11 |
| 62Y-15316-00 | 29- 3 |
| 62Y-15362-00 | 30- 3 |
| 6G8-15363-00 | 9-13 |
| 62Y-15373-00 | 9- 1 |
| 1UF-22434-00 | 2-36 |
| 62X-22471-00 | 5-12 |
| 6G1-24304-02 | 15-20 |
| 62Y-24311-00 | 15-12 |
| 62Y-24313-00 | 10- 1 |
| 61N-24329-00 | 5-17 |
| 62Y-24374-00 | 5-19 |
| 62Y-24378-00 | 12-30 |
| 688-24378-00 | 10-30 |
| 62Y-24410-00 | 5-26 |
| 62Y-24411-00 | 5-20 |
| 62Y-24411-00 | 10-17 |
| 62Y-24411-00 | 10-20 |

| PART NO. NO. PIECES | REF. NO. |
|------------------------|-------------|
| 62Y-24413-00 | 10-18 |
| 6A0-24421-01 | 10-19 |
| 62Y-24423-00 | 10-21 |
| 62Y-24444-00 | 10-24 |
| 62Y-24452-00 | 10-28 |
| 62Y-24454-00 | 10-23 |
| 62Y-24471-00 | 10-25 |
| 61N-24521-00 | 10- 8 |
| 61N-24560-00 | 10- 6 |
| 61N-24563-00 | 10- 7 |
| 62Y-24566-00 | 10-10 |
| 6G8-26363-00 | 16-31 |
| 62Y-28100-00 | 10-35 |
| 62Y-41113-00-9M | 1-17 |
| 62Y-41114-00 | 1-19 |
| 62Y-41131-00 | 27- 5 |
| 62Y-41133-00 | 17- 3 |
| 62Y-41134-00 | 17- 4 |
| 62Y-41134-00 | 29- 5 |
| 62Y-41134-00 | 30- 5 |
| 62Y-41134-00 | 17-10 |
| 62Y-41137-00-94 | 29- 6 |
| 6F5-41237-00 | 30- 6 |
| 6H1-41237-00 | 17- 1 |
| 6H4-41237-00 | 16-17 |
| 6H4-41237-00 | 16-19 |
| 62Y-41241-00 | 16-19 |
| 62Y-41241-10 | 16-18 |
| 6F5-41252-01 | 6- 6 |
| 62Y-41262-00 | 6-29 |
| 62Y-41262-00 | 7-43 |
| 62Y-41262-00 | 6-17 |
| 62Y-41262-00 | 7-44 |
| 6E5-42137-10 | 16-35 |
| 62Y-42154-00 | 16-21 |
| 62Y-42159-00 | 16-34 |
| 62Y-42171-00 | 16-22 |
| 62Y-42335-10 | 16-27 |
| 63D-42510-10-4D | 14- 1 |
| 62Y-42610-00-4D | 11- 1 |
| 62Y-42610-10-4D | 11- 1 |
| 64J-42610-00-4D | 11- 1 |
| 62Y-42613-00-4D | 11- 2 |
| 62Y-42615-00 | 11-15 |
| 61N-42628-00 | 11-16 |
| 62Y-42651-00 | 11- 8 |

| PART NO. NO. PIECES | REF. NO. |
|------------------------|-------------|
| 62Y-42652-00 | 11- 4 |
| 62Y-42677-00 | 11-10 |
| 62Y-42677-10 | 11-10 |
| 62Y-42678-00 | 11-11 |
| 62Y-42678-10 | 11-11 |
| 64J-42678-00 | 11-11 |
| 62Y-42681-00 | 11-13 |
| 62Y-42682-00 | 11-14 |
| 62Y-42711-00-4D | 12- 1 |
| 62Y-42711-10-4D | 12- 1 |
| 62Y-42715-00 | 16- 8 |
| 62Y-42716-00 | 12- 8 |
| 6E5-42724-00 | 12- 9 |
| 62Y-42725-00 | 12-18 |
| 6H4-42726-00 | 12-32 |
| 688-42726-10 | 12-32 |
| 6H3-42727-00 | 12-31 |
| 62Y-42727-00 | 12-19 |
| 62Y-42738-00-5B | 12-17 |
| 62Y-42741-00-4D | 12-22 |
| 62Y-42815-00 | 12-11 |
| 62Y-42828-00-4D | 12-10 |
| 63D-43111-00-4D | 13- 1 |
| 63D-43112-00-4D | 13- 2 |
| 6E5-43126-02 | 13-38 |
| 63D-43128-01-4D | 13- 5 |
| 63D-43131-00 | 13-14 |
| 6G5-43144-00 | 13-28 |
| 6E5-43145-00 | 26- 9 |
| 6G5-43145-00 | 13-18 |
| 6G5-43148-00 | 13-24 |
| 688-43160-01 | 13-29 |
| 688-43165-00 | 13-30 |
| 62Y-43170-00-4D | 13-33 |
| 6H5-43181-03 | 13-19 |
| 6H5-43185-03 | 13-20 |
| 63D-43311-10-4D | 13-12 |
| 682-43318-01 | 13-36 |
| 63D-43631-00 | 13-35 |
| 63D-43691-00 | 13-34 |
| 62X-4380F-00 | 15-74 |
| 62X-4380H-00 | 15-80 |
| 62X-4380K-00 | 15- 3 |
| 62X-4380L-00 | 15-27 |
| 62X-43800-00-4D | 15- 1 |
| 6T4-43802-01 | 15-38 |
| 62X-43804-00 | 15-70 |
| 62X-43805-00 | 15-69 |

NUMERICAL INDEX
INDEX NUMERIQUE

| PART NO. NO. PIECES | REF. NO. |
|------------------------|-------------|
| 62X-43807-00 | 15-75 |
| 62X-43810-00 | 15- 4 |
| 62X-43814-00 | 15-14 |
| 6H1-43816-00 | 15-49 |
| 6H1-43817-01 | 15-34 |
| 62X-4382L-00 | 15-54 |
| 6H1-43829-00 | 15-43 |
| 62X-4383A-00 | 15-57 |
| 62X-43830-00 | 15-44 |
| 6H1-43831-10 | 15-36 |
| 6H1-4384F-10 | 15-46 |
| 6H1-4384G-11 | 15-15 |
| | 15-51 |
| 62X-4384H-00 | 15-19 |
| 62X-43840-00 | 15- 2 |
| 62X-43841-00 | 15-42 |
| 6H1-43844-10 | 15-47 |
| 6T4-43849-00 | 15-67 |
| 6H1-4385H-00 | 15-35 |
| 61A-4385H-00 | 15-62 |
| 62X-4385M-00 | 15-28 |
| 6H1-43855-11 | 15-52 |
| 6H1-43856-10 | 15-48 |
| 62X-4386K-00 | 15-76 |
| 62X-43860-00 | 15-58 |
| 62X-43861-00 | 15- 5 |
| 62X-43862-00 | 15- 6 |
| 62X-43864-00 | 15-24 |
| 62X-43865-00 | 15-31 |
| 6H1-43866-00 | 15-39 |
| 62X-43866-00 | 15-32 |
| 6H1-43867-00 | 15-40 |
| 62X-43871-00 | 15- 8 |
| 6H1-43875-00 | 15-61 |
| 61A-43875-00 | 15-16 |
| 62X-43875-00 | 15-21 |
| 6T4-43876-00 | 15-66 |
| 62X-43878-00 | 15-33 |
| 62X-4388A-00 | 15-11 |
| 62X-43880-00 | 15-68 |
| 62X-43881-00 | 15-79 |
| 62X-43888-00 | 15-26 |
| 62X-43891-00 | 15-71 |
| 62X-43892-00 | 15-72 |
| 6H1-43895-11 | 15-53 |
| 6H1-43896-00 | 15-50 |
| 62X-43899-00 | 15-17 |
| 62Y-44116-01 | 16-28 |

| PART NO. NO. PIECES | REF. NO. |
|------------------------|-------------|
| 62Y-44117-00-4D | 16- 2 |
| 62Y-44120-00 | 16- 7 |
| 62Y-44121-00 | 16- 1 |
| 688-44122-00 | 16-15 |
| 62Y-44135-00 | 16-24 |
| 6K5-44144-00 | 20-52 |
| 63D-44144-00 | 18-52 |
| 663-44151-00 | 18-51 |
| | 20-51 |
| 6E0-44191-11 | 5-38 |
| 6H3-44311-00 | 20-25 |
| 63D-44311-00 | 18-21 |
| 63D-44312-00 | 19-19 |
| | 29-23 |
| 6H3-44315-A0 | 20-27 |
| | 30-12 |
| | 30-23 |
| 63D-44316-00 | 18-27 |
| | 29-13 |
| | 29-26 |
| 688-44316-A0 | 20-33 |
| | 30-15 |
| | 30-26 |
| 670-44321-00 | 30-33 |
| 63D-44322-00 | 18-22 |
| | 29-21 |
| 63D-44322-40 | 29-32 |
| 663-44322-00 | 20-26 |
| | 30-21 |
| 670-44322-01 | 30-32 |
| 6H3-44323-00 | 20-34 |
| | 30-24 |
| 6H3-44323-40 | 30-34 |
| 63D-44323-00 | 18-26 |
| | 29-24 |
| 63D-44323-40 | 29-33 |
| 6H3-44324-A0 | 20-35 |
| | 30-16 |
| | 30-25 |
| 6H3-44341-00-94 | 20-30 |
| 63D-44341-00 | 18-31 |
| 6H3-44352-00 | 18-23 |
| | 20-28 |
| | 29-22 |
| | 30-22 |
| 62Y-44361-00 | 19- 1 |
| | 21- 1 |
| 663-44366-00 | 19-18 |

| PART NO. NO. PIECES | REF. NO. |
|------------------------|-------------|
| 663-44366-00 | 21-14 |
| | 29-29 |
| | 30-19 |
| 663-44367-00 | 19- 2 |
| | 21- 2 |
| 6H3-44391-01 | 12- 2 |
| 62Y-44514-00-4D | 14-25 |
| 62Y-44514-20-4D | 14-25 |
| 63D-44526-00 | 14-27 |
| 663-44551-02-4D | 14- 9 |
| 663-44552-00-94 | 14-17 |
| 62Y-44553-00-4D | 14-22 |
| 679-44555-00-94 | 14-11 |
| 62Y-45111-00-4D | 17-13 |
| 663-45123-00 | 17-12 |
| | 29- 8 |
| | 30- 8 |
| 62Y-45127-00 | 17-11 |
| | 29- 7 |
| | 30- 7 |
| 62Y-45151-00 | 17-16 |
| 6H3-45155-00 | 17-19 |
| 63D-45214-00 | 18-10 |
| 688-45214-02 | 20-12 |
| 63D-45215-00 | 18-11 |
| 688-45215-02 | 20-13 |
| 63D-45251-00 | 13- 6 |
| 63D-45251-10 | 19-15 |
| 62Y-45300-10-4D | 18- 1 |
| 64J-45300-10-4D | 20- 1 |
| 6H1-45301-12-4D | 20- 2 |
| 63D-45301-01-4D | 18- 2 |
| 63D-45321-00 | 18-14 |
| 688-45321-00 | 20-16 |
| 688-45331-00-94 | 20-56 |
| 688-45341-00 | 18- 9 |
| | 20-10 |
| 63D-45344-00 | 18-34 |
| 63D-45361-01-4D | 18-43 |
| 664-45371-01 | 19-12 |
| 688-45371-02 | 21-12 |
| 63D-45375-00 | 19- 6 |
| 688-45375-00 | 21-11 |
| 663-45376-00-94 | 19- 5 |
| | 21-10 |
| 6E5-45378-00 | 18-17 |
| | 20-21 |
| 688-45383-02 | 20-64 |

| PART NO. NO. PIECES | REF. NO. |
|------------------------|-------------|
| 688-45384-00 | 20-65 |
| 62Y-45501-10 | 18-36 |
| 64J-45501-10 | 20-40 |
| 6H4-45536-00 | 18- 4 |
| 688-45536-01 | 20- 4 |
| 6H4-45551-01 | 18-37 |
| 6K5-45551-00 | 20-41 |
| 6H4-45560-01 | 18-39 |
| 6K5-45560-00 | 20-43 |
| 663-45567-01-10 | 18-41 |
| 663-45567-01-12 | 18-41 |
| 663-45567-01-15 | 18-41 |
| 663-45567-01-18 | 18-41 |
| 663-45567-01-30 | 18-41 |
| 663-45567-01-40 | 18-41 |
| 663-45567-01-50 | 18-41 |
| 688-45567-01-10 | 20- 7 |
| 688-45567-01-12 | 20- 7 |
| 688-45567-01-15 | 20- 7 |
| 688-45567-01-18 | 20- 7 |
| 688-45567-01-30 | 20- 7 |
| 688-45567-01-40 | 20- 7 |
| 688-45567-01-50 | 20- 7 |
| 6H4-45571-01 | 18-42 |
| 6K5-45571-00 | 20-55 |
| 688-45576-00 | 20-59 |
| 63D-45577-00-10 | 18-46 |
| 63D-45577-00-12 | 18-46 |
| 63D-45577-00-15 | 18-46 |
| 63D-45577-00-18 | 18-46 |
| 63D-45577-00-30 | 18-46 |
| 63D-45577-00-40 | 18-46 |
| 63D-45577-00-50 | 18-46 |
| 688-45577-01-10 | 20-58 |
| 688-45577-01-12 | 20-58 |
| 688-45577-01-15 | 20-58 |
| 688-45577-01-18 | 20-58 |
| 688-45577-01-30 | 20-58 |
| 688-45577-01-40 | 20-58 |
| 688-45577-01-50 | 20-58 |
| 663-45587-01-10 | 18- 5 |
| 663-45587-01-12 | 18- 5 |
| 663-45587-01-15 | 18- 5 |
| 663-45587-01-18 | 18- 5 |
| 663-45587-01-30 | 18- 5 |
| 663-45587-01-40 | 18- 5 |
| 663-45587-01-50 | 18- 5 |
| 688-45587-01-10 | 20- 5 |

| PART NO. NO. PIECES | REF. NO. |
|------------------------|-------------|
| 688-45587-01-12 | 20- 5 |
| 688-45587-01-15 | 20- 5 |
| 688-45587-01-18 | 20- 5 |
| 688-45587-01-30 | 20- 5 |
| 688-45587-01-40 | 20- 5 |
| 688-45587-01-50 | 20- 5 |
| 63D-45611-00 | 18-55 |
| 688-45611-01 | 20-44 |
| 63D-45631-00 | 18-57 |
| 688-45631-01 | 20-45 |
| 663-45633-00 | 18-62 |
| 688-45633-00 | 20-50 |
| 663-45634-00 | 18-58 |
| 688-45634-00 | 20-46 |
| 63D-45635-00 | 18-60 |
| 688-45635-00 | 20-48 |
| 663-45930-00-98 | 19-25 |
| 6E5-45941-00-EL | 21-20 |
| 663-45941-01-EL | 19-25 |
| 6E5-45943-00-EL | 21-20 |
| 6H5-45943-00-EL | 19-25 |
| 6E5-45945-01-EL | 21-20 |
| 6H5-45945-00-EL | 19-25 |
| 6E5-45945-02-EL | 19-25 |
| 663-45947-00-EL | 21-20 |
| 663-45947-02-EL | 19-25 |
| 6E5-45949-00-EL | 21-20 |
| 663-45949-01-EL | 19-25 |
| 6E5-45952-00-EL | 21-20 |
| 6H5-45952-00-EL | 19-25 |
| 663-45952-02-EL | 19-25 |
| 6E5-45954-00-EL | 21-20 |
| 6E5-45956-00-EL | 21-20 |
| 663-45956-01-EL | 19-25 |
| 6H5-45958-00-EL | 19-25 |
| 663-45958-01-EL | 19-25 |
| 663-45970-60-98 | 19-25 |
| 697-45970-00-98 | 19-25 |
| 663-45972-60-98 | 19-25 |
| 663-45974-02-98 | 19-25 |
| 663-45974-60-98 | 19-25 |
| 663-45976-00-98 | 19-25 |
| 663-45978-00-98 | 19-25 |
| 663-45987-02 | 19-20 |
| 688-45987-02 | 21-15 |
| 670-45997-02 | 19-21 |
| 688-45997-01 | 21-16 |
| 62Y-46241-00 | 8- 7 |

| PART NO. NO. PIECES | REF. NO. |
|------------------------|-------------|
| 63D-48511-00-4D | 14-39 |
| 6H3-48538-00 | 16-33 |
| 63D-61350-00 | 26- 1 |
| 63D-61351-00 | 26- 2 |
| 62Y-81337-00 | 22-12 |
| 6K7-81338-01 | 22-13 |
| 6E5-81800-12 | 23- 1 |
| 6E5-81801-10 | 23- 6 |
| 6E5-81807-11 | 23-11 |
| 6E5-81809-10 | 23- 3 |
| 6E5-81810-10 | 23- 4 |
| 6E5-81813-10 | 23- 8 |
| 6E5-81820-11 | 23- 9 |
| 62Y-81822-00-94 | 24- 9 |
| 6E5-81824-00 | 23-10 |
| 6E5-81826-10 | 23-15 |
| 6E5-81830-10 | 23-13 |
| 688-81831-00 | 23-14 |
| 6E5-81840-10 | 23- 7 |
| 6E5-81847-10 | 23- 5 |
| 6E5-81850-11 | 23- 2 |
| 61H-81857-00 | 23-12 |
| 6G1-81941-10 | 25- 5 |
| 6L2-81945-00 | 25- 7 |
| 6H2-81949-01 | 25-26 |
| 61A-81949-00 | 25-27 |
| 6H1-81950-00 | 25-23 |
| 6G1-81952-00 | 25- 6 |
| 62Y-81960-10 | 25-10 |
| 62Y-82105-00 | 25-16 |
| 6E5-82117-00 | 25-17 |
| 682-82119-01 | 25-28 |
| 703-82119-00 | 14-36 |
| 697-82127-01 | 14-24 |
| 6H1-82148-00 | 13- 9 |
| | 13-52 |
| 63D-82148-00 | 13- 3 |
| 682-82151-00 | 25-20 |
| 665-82152-00 | 25-18 |
| 62X-82181-00 | 15-73 |
| 663-82317-01 | 22-14 |
| 6G8-82370-20 | 24- 8 |
| 62Y-82504-00 | 24-12 |
| 62Y-82560-01 | 24-13 |
| 63D-82563-10 | 25-31 |
| 6E5-82587-00 | 25-32 |
| 6E9-82588-00 | 24-14 |
| 62Y-82590-00 | 25-19 |

| PART NO. NO. PIECES | REF. NO. |
|------------------------|-------------|
| 62Y-82590-10 | 25-19 |
| 688-82594-00 | 25-21 |
| 6E5-83558-00 | 14-34 |
| 6E5-83558-10 | 18-19 |
| | 20-23 |
| 62Y-83614-00 | 25-33 |
| 630-83672-00 | 14-35 |
| 437-83936-11 | 25-22 |
| | 25-30 |
| 62Y-85510-00 | 22- 2 |
| 62Y-85540-01 | 25- 1 |
| 62Y-85540-10 | 25- 1 |
| 62Y-85550-01 | 22- 1 |
| 62Y-85550-10 | 22- 1 |
| 62Y-85561-00-94 | 22- 3 |
| 62Y-85570-00 | 24- 1 |
| 62Y-85580-00 | 22- 5 |
| 62Y-85599-00 | 24-17 |
| 6E9-86111-01 | 6-36 |
| 90101-08M15 | 14-26 |
| 90101-09M01 | 26- 7 |
| 90101-12M65 | 13-46 |
| 90105-08M61 | 18-44 |
| 90105-10M67 | 21-13 |
| 90109-06M30 | 16-30 |
| 90109-06M64 | 8-12 |
| 90109-06M65 | 2-12 |
| 90109-08M63 | 4-15 |
| 90109-12261 | 14-15 |
| 90116-08M14 | 24-19 |
| 90116-10175 | 14- 7 |
| 90116-18M52 | 13-42 |
| 90119-08M01 | 1- 4 |
| 90119-08M76 | 23-18 |
| 90119-08M77 | 23-19 |
| 90119-08M79 | 17-14 |
| 90119-08M82 | 17-15 |
| 90119-08M84 | 19-11 |
| | 21- 9 |
| 90119-09M00 | 2-16 |
| 90142-05M06 | 18-12 |
| 90159-06M08 | 24-18 |
| 90170-09M03 | 26- 5 |
| 90170-12138 | 18-38 |
| 90170-16M01 | 20-42 |
| 90170-18M10 | 13-43 |
| 90170-20137 | 22-17 |
| 90170-35M32 | 8-15 |

| PART NO. NO. PIECES | REF. NO. |
|------------------------|-------------|
| 90171-16011 | 19-23 |
| | 21-18 |
| 90179-06M24 | 11- 3 |
| 90179-06066 | 14-21 |
| 90185-05904 | 20-15 |
| 90185-08045 | 14-28 |
| 90185-09M01 | 26- 4 |
| 90185-10051 | 14- 8 |
| 90185-22M11 | 13-17 |
| 90201-06416 | 12- 5 |
| 90201-083J8 | 15-82 |
| 90201-10M06 | 8- 5 |
| 90201-10M20 | 26- 3 |
| 90201-10M63 | 26- 8 |
| 90201-12M16 | 14-12 |
| 90201-12426 | 13-48 |
| 90201-13M19 | 14-14 |
| 90201-17M00 | 21-17 |
| 90201-21M18 | 22-18 |
| 90201-22M03 | 13-16 |
| 90201-22429 | 18-56 |
| 90201-27M00 | 18-35 |
| 90201-30M00 | 14- 2 |
| 90202-07M07 | 16-16 |
| 90202-12060 | 19- 3 |
| | 21- 3 |
| 90202-21100 | 14-13 |
| 90209-08M02 | 18-30 |
| | 20-39 |
| | 29-28 |
| 90240-05M19 | 12-14 |
| 90249-05M30 | 12-12 |
| 90249-06M19 | 13-25 |
| 90249-07M29 | 8-10 |
| 90250-06023 | 18-61 |
| 90250-07M02 | 20-49 |
| 90266-06M02 | 11- 9 |
| 90280-03M03 | 20-29 |
| | 30-30 |
| 90280-03024 | 18-25 |
| | 29-30 |
| 90280-04M06 | 8-16 |
| | 27-17 |
| 90280-05049 | 22-16 |
| 90282-04010 | 20-63 |
| 90338-04M17 | 5-29 |
| 90338-05M03 | 12-37 |
| 90340-08M04 | 18- 7 |

| PART NO. NO. PIECES | REF. NO. |
|------------------------|-------------|
| 90340-08M04 | 20- 9 |
| 90340-14M06 | 1- 8 |
| 90344-51M01 | 1- 7 |
| 90386-05002 | 12-15 |
| 90386-07M58 | 16-11 |
| 90386-10M16 | 13-21 |
| 90386-10009 | 16-29 |
| 90386-10025 | 13-22 |
| 90386-18M35 | 13-40 |
| 90386-18M44 | 13-45 |
| 90386-18M92 | 13-39 |
| 90386-22M15 | 13-15 |
| 90386-30M60 | 14- 6 |
| 90386-30M77 | 14- 4 |
| 90386-30M78 | 14- 3 |
| 90387-06M15 | 5-31 |
| 90387-06M40 | 12-29 |
| 90387-06M45 | 16-25 |
| 90387-06M69 | 12- 4 |
| 90387-06M70 | 5- 6 |
| 90387-10M42 | 26- 6 |
| 90401-20M00 | 1-16 |
| 90430-06014 | 2-11 |
| | 2-13 |
| | 27- 6 |
| 90430-08020 | 18- 8 |
| | 20-11 |
| | 29- 9 |
| | 30- 9 |
| 90430-08143 | 2-31 |
| 90430-12072 | 19- 4 |
| | 21- 4 |
| 90430-14115 | 1- 9 |
| | 27- 2 |
| 90445-07MF1 | 14-33 |
| 90445-07M31 | 18-18 |
| | 20-22 |
| 90445-07M38 | 5- 9 |
| 90445-09252 | 1-14 |
| 90445-10M14 | 5-18 |
| 90445-10M18 | 5-27 |
| 90445-10M33 | 5-15 |
| 90445-10M34 | 10- 4 |
| 90445-10M48 | 10-14 |
| 90445-13M85 | 5-16 |
| 90445-16M00 | 5-22 |
| 90464-07M41 | 24- 3 |
| 90464-09M43 | 12-36 |

NUMERICAL INDEX
INDEX NUMERIQUE

| PART NO. NO. PIECES | REF. NO. |
|------------------------|-------------|
| 90464-10M32 | 5-11 |
| 90464-16039 | 25-29 |
| 90465-06M28 | 24- 2 |
| 90465-08028 | 14-31 |
| 90465-11M10 | 5-10 |
| | 5-21 |
| | 5-23 |
| | 5-25 |
| | 13-53 |
| | 14-32 |
| | 18-20 |
| | 20-24 |
| 90465-13M11 | 14-38 |
| 90465-13M36 | 5-13 |
| 90467-09M03 | 10- 5 |
| | 10-15 |
| 90467-10M04 | 5-14 |
| | 10-16 |
| | 10-34 |
| | 15-56 |
| 90467-11044 | 5-37 |
| 90467-15M14 | 5-37 |
| 90468-07M06 | 16-13 |
| 90468-18008 | 16-14 |
| | 16-32 |
| 90480-09M12 | 12- 3 |
| 90480-11224 | 5-24 |
| 90480-12072 | 22-15 |
| 90480-13M24 | 12-28 |
| 90480-25161 | 24- 4 |
| 90501-12M00 | 16- 9 |
| 90501-14M08 | 14-20 |
| 90501-16M01 | 18-59 |
| 90501-16233 | 20-47 |
| 90502-16M02 | 13-32 |
| 90506-14M24 | 13-26 |
| 90508-23M36 | 8- 9 |
| 91318-04025 | 15-37 |
| 91490-16010 | 12-13 |
| | 12-16 |
| 92990-08100 | 24-21 |
| 92990-08200 | 16-12 |
| 92990-10100 | 19- 9 |
| | 21- 7 |
| 92990-10600 | 19-10 |
| | 21- 8 |
| 92990-16200 | 19-22 |
| 92995-06100 | 12- 7 |
| | 12-25 |
| | 12-34 |

| PART NO. NO. PIECES | REF. NO. |
|------------------------|-------------|
| 92990-05600 | 6-15 |
| | 11- 6 |
| | 17-18 |
| | 22- 8 |
| 92990-06600 | 1- 6 |
| | 1-21 |
| | 2- 9 |
| | 2-18 |
| | 2-26 |
| | 2-29 |
| | 2-35 |
| | 5- 8 |
| | 5-33 |
| | 5-35 |
| | 8-22 |
| | 9- 5 |
| | 9- 8 |
| | 9-17 |
| | 10- 3 |
| | 10-33 |
| | 12-21 |
| | 12-26 |
| | 12-35 |
| | 13-11 |
| | 13-51 |
| | 16- 4 |
| | 16- 6 |
| | 17- 6 |
| | 17- 9 |
| | 20-20 |
| | 22-10 |
| | 24- 7 |
| | 24-16 |
| | 25- 4 |
| | 25- 9 |
| | 25-13 |
| | 25-15 |
| | 25-25 |
| 92990-08100 | 24-21 |
| 92990-08200 | 16-12 |
| 92990-10100 | 19- 9 |
| | 21- 7 |
| 92990-10600 | 19-10 |
| | 21- 8 |
| 92990-16200 | 19-22 |
| 92995-06100 | 12- 7 |
| | 12-25 |
| | 12-34 |

| PART NO. NO. PIECES | REF. NO. |
|------------------------|-------------|
| 92995-06100 | 13- 8 |
| | 15-30 |
| | 24- 6 |
| | 25- 3 |
| | 25-12 |
| 92995-08100 | 14-19 |
| | 14-30 |
| | 19-14 |
| | 19-17 |
| 92995-08600 | 10-12 |
| | 23-17 |
| | 24-11 |
| 92995-12200 | 13-47 |
| 92995-18600 | 13-44 |
| 93101-16M36 | 17- 2 |
| | 29- 4 |
| | 30- 4 |
| 93101-22067 | 18-50 |
| | 29-18 |
| 93101-23070 | 20-31 |
| | 30-13 |
| 93101-25M03 | 20-62 |
| | 30-18 |
| 93101-25M57 | 18-32 |
| | 29-14 |
| 93102-08414 | 15-81 |
| 93102-35M41 | 3- 2 |
| | 27-11 |
| 93102-37M40 | 8- 1 |
| | 27-16 |
| 93102-43M42 | 3- 1 |
| | 27-10 |
| 93106-09014 | 18-15 |
| | 20-18 |
| | 29-10 |
| | 30-11 |
| 93210-06519 | 15-23 |
| | 15-45 |
| 93210-06632 | 15-64 |
| 93210-07540 | 15-65 |
| | 18-53 |
| | 20-53 |
| | 29-19 |
| 93210-09350 | 15-41 |
| 93210-12M69 | 8-19 |
| | 27-19 |
| 93210-14515 | 8-20 |
| | 9-15 |



FLOOD MARINE SERVICES

downloaded from www.yamahaboutboardparts.co.uk

| PART NO. NO. PIECES | REF. NO. |
|------------------------|-------------|
| 93210-14515 | 27-20 |
| 93210-16275 | 26-10 |
| 93210-18397 | 15-60 |
| 93210-25070 | 2-37 |
| | 10-31 |
| | 27- 9 |
| 93210-29M94 | 14- 5 |
| 93210-29375 | 15- 7 |
| | 15-25 |
| 93210-30MH4 | 5- 4 |
| | 27-14 |
| | 28-13 |
| 93210-32738 | 10- 9 |
| 93210-33MG4 | 18-16 |
| | 29-11 |
| 93210-33MH2 | 8-18 |
| | 27-18 |
| 93210-35M86 | 5- 2 |
| | 5-30 |
| | 27-12 |
| | 27-15 |
| | 28-14 |
| 93210-38MH3 | 5- 3 |
| | 27-13 |
| 93210-44383 | 15- 9 |
| 93210-46044 | 20-32 |
| | 30-14 |
| | 30-27 |
| 93210-48MG8 | 18-33 |
| | 29-15 |
| 93210-48214 | 15-10 |
| 93210-49046 | 20-17 |
| | 30-10 |
| 93210-52449 | 15-83 |
| 93210-59MG7 | 18-24 |
| | 29-12 |
| | 29-25 |
| 93210-69MG6 | 18-48 |
| | 29-17 |
| 93210-74MG5 | 18-47 |
| | 29-16 |
| 93210-85M97 | 20-60 |
| | 30-17 |
| 93306-001U1 | 18-45 |
| 93306-207U0 | 20-57 |
| 93315-32224 | 18- 3 |
| 93315-325V1 | 20- 3 |

NUMERICAL INDEX
INDEX NUMERIQUE

| PART NO. NO. PIECES | REF. NO. | PART NO. NO. PIECES | REF. NO. |
|------------------------|-------------|------------------------|-------------|
| 97075-08030 | 14-29 | 97880-05020 | 15-77 |
| 97075-10040 | 21- 6 | 97885-06008 | 13- 4 |
| 97095-05016 | 11- 5 | 97885-06016 | 14-23 |
| 97095-06010 | 2-10 | | 14-37 |
| | 13-10 | 97890-05006 | 6- 2 |
| | 13-27 | 97980-04108 | 6-32 |
| | 13-37 | 97980-04110 | 7-10 |
| | 13-50 | 97980-04112 | 7-20 |
| 97095-06012 | 24-15 | | 28- 9 |
| | 25-14 | 98507-04010 | 2-22 |
| | 25-34 | 98517-04012 | 15-78 |
| 97095-06014 | 25- 8 | 98580-05012 | 22- 6 |
| 97095-06016 | 2-34 | 98580-05016 | 17-17 |
| | 15-29 | 98580-06025 | 12-24 |
| | 20-19 | | 12-33 |
| 97095-06020 | 2-28 | | 22- 9 |
| | 12-20 | 98780-05545 | 20-14 |
| | 16- 3 | 98980-0A006 | 7-29 |
| | 25- 2 | 99001-08600 | 18-54 |
| 97095-06025 | 5-34 | | 20-54 |
| | 9-16 | 99009-35500 | 15-13 |
| | 10- 2 | 99530-08012 | 1- 3 |
| | 13- 7 | | 2-15 |
| | 16- 5 | | 22-11 |
| | 17- 8 | | |
| | 25-11 | | |
| | 25-24 | | |
| 97095-06030 | 5-32 | | |
| | 10-32 | | |
| | 12- 6 | | |
| | 24- 5 | | |
| 97095-06045 | 17- 5 | | |
| 97095-06090 | 5- 7 | | |
| 97095-08014 | 2-30 | | |
| | 10-11 | | |
| 97095-08016 | 23-16 | | |
| 97095-08020 | 19-16 | | |
| 97095-08025 | 19-13 | | |
| 97095-08030 | 18-29 | | |
| | 29-27 | | |
| 97095-08035 | 24-10 | | |
| 97095-08045 | 20-38 | | |
| | 30-28 | | |
| 97095-08055 | 20-37 | | |
| | 30-29 | | |
| 97095-10040 | 19- 8 | | |
| 97313-06040 | 8-21 | | |
| 97607-05210 | 15-55 | | |

FLOOD MARINE SERVICES

downloaded from www.yamahaboutboardparts.co.uk



FLOOD MARINE SERVICES

downloaded from www.yamahaboutboardparts.co.uk



FLOOD MARINE SERVICES

downloaded from www.yamahaboutboardparts.co.uk



FLOOD MARINE SERVICES

downloaded from www.yamahaboutboardparts.co.uk



FLOOD MARINE SERVICES

downloaded from www.yamahaboutboardparts.co.uk



FLOOD MARINE SERVICES

downloaded from www.yamahaboutboardparts.co.uk