

**PARTS
CATALOGUE
CATALOGUE
DE PIÈCES
DETACHEES**

F9.9A'94 (6G8)

This Parts Catalogue is related to the parts in use for the Yamaha outboard motor F9.9A '94(6G8). When you are ordering replacement parts for the F9.9A'94(6G8), refer to this Parts Catalogue and quote both part numbers and part names correctly.

1. Modifications or additions which have been made after issue of the Parts Catalogue will be announced in the Yamaha Parts News.

It is advisable that according to the Yamaha Parts News you make necessary corrections to the Parts Catalogue on hand to keep it up-to-date.

2. Abbreviations

The following abbreviations are used in this Parts Catalogue.

UR Use size (thickness) and/or number as required.

UN Use as many as you need.

AP Alternate Parts

STD Standard

O/S Over Size

3. Parts, which are to be supplied in the form of assemblies, are listed with an indentation of one letter's space, and a dot (.) is put against the name of each part.

EXAMPLE

CARBURETOR ASS'Y

. JET, pilot

. NOZZLE, main

4. Indication of No. of constituent parts for assembly.

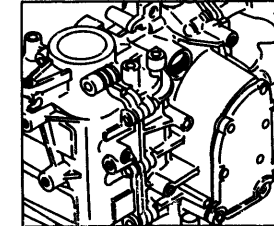
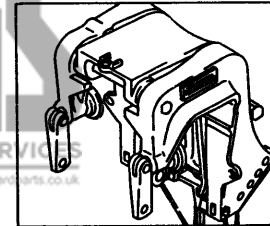
The numeral appearing to the right of each constituent part under the description indicates the quantity of such parts for each individual assembly unit.

EXAMPLE

Part No.	Description	Q'ty	Remarks
6E0-85500-70	C.D.I. MAGNETO ASS'Y	1	
6E0-85550-70	. ROTOR ASS'Y	1	
6E0-15723-00-94	.. PULLEY, starter	1	

5. Initial Serial No. and Color Code

Engine Serial No.	Initial Serial No.	Color Code
F9.9AM	L : 303492 and following	UL : 702756 and following
F9.9AE	S : 100690 and following	L : 408272 and following
F9.9AEM	L : 469307 and following	UL : 761594 and following
		UL : 786352 and following



Color Code	Color Name	Abbreviate
4D	DARK BLUISH GRAY METALLIC 2	DBNM2

Ce catalogue de pièces Détachées concerne les pièces utilisées sur le Yamaha moteur hors bord F9.9A(6G8) modèle 1994. Lorsque vous commandez des pièces détachées pour le veuillez vous reporter à ce catalogue de Pièces Détachées et indiquer clairement et les numéros de pièces et leurs noms.

1. Les modifications ou ajouts ayant été faits après la sortie du Catalogue de Pièces Détachées seront décrits dans les Bulletins Yamaha.
A partir des Bulletins Yamaha, il est conseillé de faire les corrections nécessaires au Catalogue de Pièces Détachées afin de le tenir à jour.

2 Abréviations

Dans ce catalogue, les abréviations suivantes sont utilisées.

UR Utiliser la taille (épaisseur) et/ou le nombre demandés.

UN Utiliser autant que vous en avez besoin.

AP Pièces de Rechange

STD Standard

O/S Cote Réparation

- 3 Les pièces, devant être fournies sous forme d'ensembles, sont cataloguées avec un décalage d'une lettre, et un point (.) est mis devant le nom de chaque pièce.

EXEMPLE

CARBURATEUR (ENS.)

.GICLEUR de ralenti

.TUBE d'émulsion

4. Indication du Nbre. de pièces constituant un ensemble

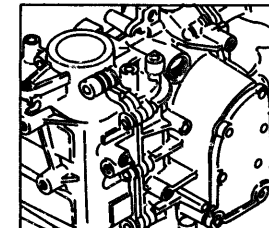
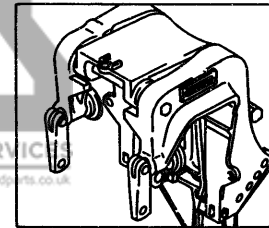
Le chiffre apparaissant sur la droite de chaque pièce composante située dans la colonne "Désignation" indique la quantité de telles pièces pour chaque ensemble individuel.

EXEMPLE

Référence	Désignation	Q/té	Remarques
6E0-85500-70	VOLANT MAGNETO-ELECTRONIQUE (ENS.)	1	
6E0-85550-70	.VOLANT NU (ENS.)	1	
6E0-15723-00-94	..POULIE, lanceur	1	

5. No. de Série de Départ et Code de Couleur

No. De Série	F9.9AM	L : 303492 et suivants UL : 702756 et suivants
	F9.9AE	S : 100690 et suivants L : 408272 et suivants UL : 761594 et suivants
	F9.9AEM	L : 469307 et suivants UL : 786352 et suivants



Code de Couleur	Nom de la Couleur	Abréviation
4D	DARK BLUISH GRAY METALLIC 2	DBNM2

Sheet 1/2 (Fig. 1 to Fig. 22)

FIG. 1	CYLINDER. CRANKCASE	A6~B1
FIG. 2	CRANKSHAFT. PISTON	B2
FIG. 3	VALVE	B3
FIG. 4	INTAKE	B4, B5
FIG. 5	CARBURETOR	B6, B7
FIG. 6	OIL PUMP	C1
FIG. 7	OIL PAN	C2
FIG. 8	STARTER	C3, C4
FIG. 9	FUEL	C5, C6
FIG. 10	TOP COWLING	C7
FIG. 11	BOTTOM COWLING	D1, D2
FIG. 12	BRACKET 1	D3~D5
FIG. 13	BRACKET 2	D6
FIG. 14	STEERING (F9.9AM/F9.9AEM)	D7, E1
FIG. 15	CONTROL	E2, E3
FIG. 16	UPPER CASING	E4, E5
FIG. 17	LOWER CASING. DRIVE 1	E6~F1
FIG. 18	LOWER CASING. DRIVE 2	F2
FIG. 19	GENERATOR	F3
FIG. 20	STARTING MOTOR (F9.9AE/F9.9AEM)	F4
FIG. 21	ELECTRICAL 1	F5, F6
FIG. 22	ELECTRICAL 2 (F9.9AEM)	F7

NUMERICAL INDEX

Sheet 2/2 (Fig. 23 to Fig. 25)

FIG. 23	ELECTRICAL 3 (F9.9AE)	A6, A7
FIG. 24	REPAIR KIT 1	B1, B2
FIG. 25	REPAIR KIT 2	B3

NUMERICAL INDEX

TABLE DES MATIERES

Feuille 1/2 (Fig. 1 ~ Fig. 22)

FIG. 1	CYLINDRE. CARTER	A6~B1
FIG. 2	VILEBREQUIN. PISTON	B2
FIG. 3	SOUPAPE	B3
FIG. 4	ADMISSION	B4, B5
FIG. 5	CARBURATEUR	B6, B7
FIG. 6	POMPE A HUILE	C1
FIG. 7	VENTILATEUR D' HUILE	C2
FIG. 8	DEMARREUR	C3, C4
FIG. 9	CARBURANT	C5, C6
FIG. 10	CAPOT SUPERIEUR	C7
FIG. 11	CAPOT INFERIEUR	D1, D2
FIG. 12	SUPPORT 1	D3~D5
FIG. 13	SUPPORT 2	D6
FIG. 14	DIRECTION (F9.9AM/F9.9AEM)	D7, E1
FIG. 15	COMMANDE	E2, E3
FIG. 16	FOURREAU	E4, E5
FIG. 17	BOITIER D' HELICE, TRANSMISSION 1	E6~F1
FIG. 18	BOITIER D' HELICE, TRANSMISSION 2	F2
FIG. 19	GENERATRICE	F3
FIG. 20	DEMARREUR ELECTRIQUE (F9.9AE/F9.9AEM)	F4
FIG. 21	PARTIE ELECTRIQUE 1	F5, F6
FIG. 22	PARTIE ELECTRIQUE 2 (F9.9AEM)	F7
	INDEX NUMERIQUE	

Feuille 2/2 (Fig. 23 ~ Fig. 25)

FIG. 23	PARTIE ELECTRIQUE 3 (F9.9AE)	A6, A7
FIG. 24	KITS DE REPARATION 1	B1, B2
FIG. 25	KITS DE REPARATION 2	B3
	INDEX NUMERIQUE	



FLOOD MARINE SERVICES

downloaded from www.yamahaoutboardparts.co.uk



FLOOD MARINE SERVICES

downloaded from www.yamahaoutboardparts.co.uk



FLOOD MARINE SERVICES

downloaded from www.yamahaoutboardparts.co.uk

FIG. 1 CYLINDER. CRANKCASE

CYLINDRE. CARTER

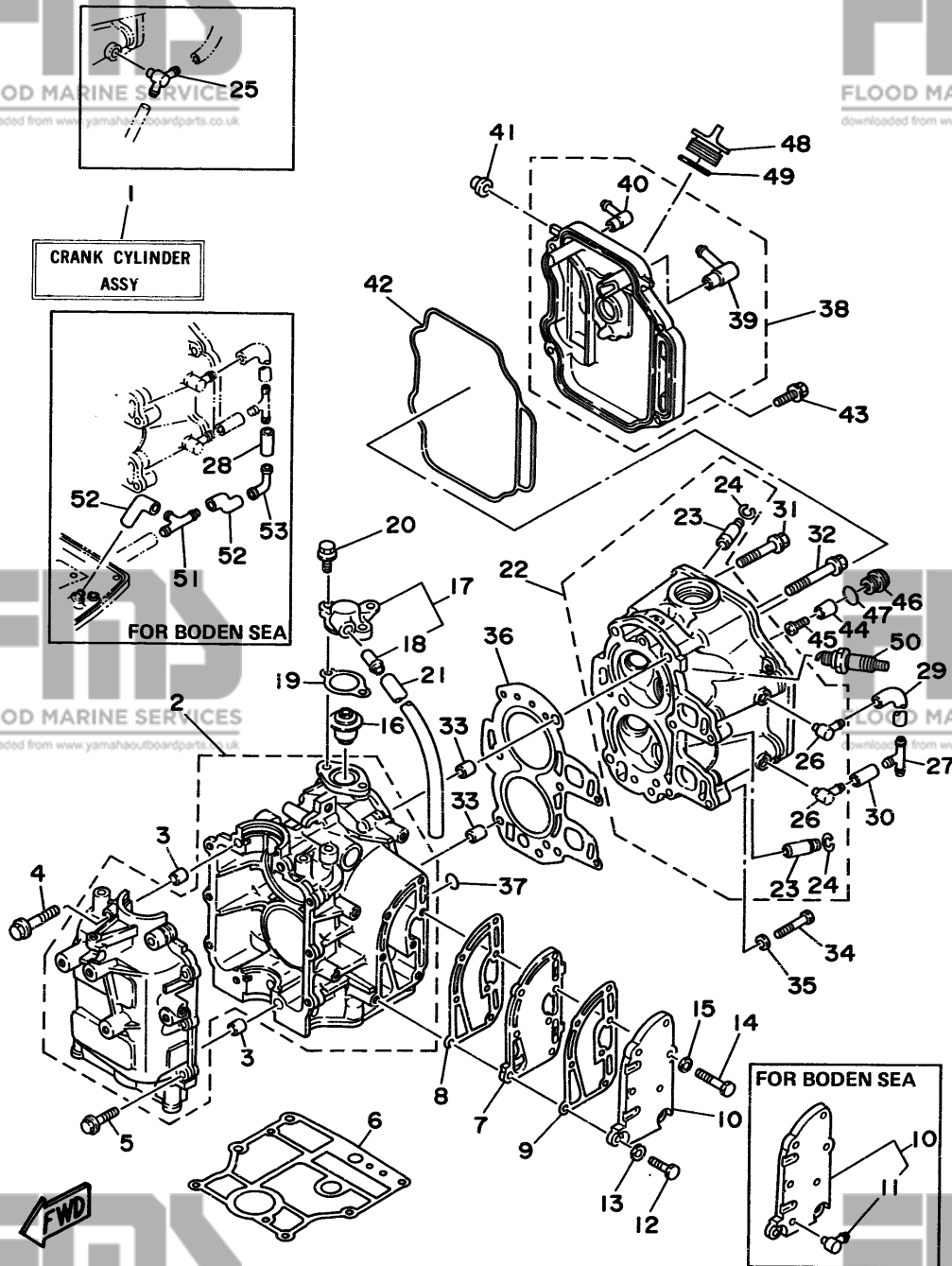
REF. NO.	PART NO. NO. PIECES	DESCRIPTION DESCRIPTION	Q'TY QTE	REMARKS REMARQUES
----------	---------------------	-------------------------	----------	-------------------

▶	6G8-W0090-32-4D	CRANK CYLINDER ASSY EMBIELLAGE CYLINDRE (ENS.) (REF.NO. 2~5, 7~49 FIG. 2, REF.NO. 1~12 FIG. 3, REF.NO. 1~16)	1	UR STD
▶	6G8-W0090-31-4D	CRANK CYLINDER ASSY EMBIELLAGE CYLINDRE (ENS.) (REF.NO. 2~5, 7~49 FIG. 2, REF.NO. 1~12 FIG. 3, REF.NO. 1~16)	1	UR STD
◀	6G8-W0090-30-4D	CRANK CYLINDER ASSY EMBIELLAGE CYLINDRE (ENS.)	1	UR STD
2	6G8-15100-05-94	CRANKCASE ASSY CARTER DE MOTEUR COMPLET	1	
3	99510-10114	PIN, DOWEL	2	
4	90119-08M18	GOUJON, D'ASSEMBLAGE BOLT, WITH WASHER	4	
5	90119-06M12	BOULON, AVEC RONDELLE BOLT, WITH WASHER	6	
6	6G8-11351-A0	GASKET, CYLINDER JOINT, D'EMBASE	1	
7	6G8-41111-02-9M	INNER COVER, EXHAUST PLAQUE, ECHAPPEMENT	1	
8	6G8-41112-02	GASKET, EXHAUST INNER COVER JOINT, PLAQUE D'ECHAPPEMENT	1	
9	6G8-41114-00	GASKET, EXHAUST OUTER COVER JOINT, COUVERCLE D'ECHAPPEMENT	1	
▶ 10	6G8-41113-10-9M	OUTER COVER, EXHAUST COUVERCLE, ECHAPPEMENT	1	UR STD
	6G8-41113-01-9M	OUTER COVER, EXHAUST COUVERCLE, ECHAPPEMENT	1	UR STD
	6G8-41113-02-9M	OUTER COVER, EXHAUST COUVERCLE, ECHAPPEMENT	1	UR FOR BODEN SEA
11	676-11372-00	.NIPPLE, HOSE .RACCORD, TUYAU	1	FOR BODEN SEA
12	97095-06025	BOLT BOULON	2	
13	92990-06600	WASHER, PLATE RONDELLE, PLATE	2	
14	97095-06030	BOLT BOULON	5	
15	92990-06600	WASHER, PLATE RONDELLE, PLATE	5	

▶	F9.9AM L:303597~ UL:702882~	AE S:100781~ L:409135~ UL:761715~	AEM L:469811~ UL:786864~
---	--------------------------------	---	-----------------------------

▶	F9.9AM L:303507~303596 UL:702791~702881	AE S:100717~100780 L:408522~409134 UL:761615~761714	AEM L:469482~469810 UL:786508~786863
---	--	---	---

▶	F9.9AM L:~303506 UL:~702790	AE S:~100716 L:~408521 UL:~761614	AEM L:~469481 UL:~786507
---	--------------------------------	---	-----------------------------



CRANK CYLINDER ASSY

FOR BODEN SEA

FOR BODEN SEA



FLOOD MARINE SERVICES

downloaded from www.yamahaoutboardparts.co.uk

FLOOD MARINE SERVICES

downloaded from www.yamahaoutboardparts.co.uk

FLOOD MARINE SERVICES

downloaded from www.yamahaoutboardparts.co.uk

A6

FIG. 1 CYLINDER. CRANKCASE

CYLINDRE. CARTER

REF. NO.	PART NO. NO. PIECES	DESCRIPTION DESCRIPTION	Q'TY QTE	REMARKS REMARQUES
16	668-12411-02	THERMOSTAT	1	
17	668-12413-00-9M	THERMOSTAT COVER, THERMOSTAT	1	
18	6E5-24377-00	COUVERCLE, THERMOSTAT .PIPE, JOINT 3	1	
19	668-12414-A0	.DURITE, RACCORDEMENT 3 GASKET, COVER	1	
20	97595-06520	JOINT, COUVERCLE BOLT, WITH WASHER	2	
21	90445-11M66	BOULON, AVEC RONDELLE HOSE	1	
▶ 22	668-11111-03-94	DURITE HEAD, CYLINDER 1	1	
◀ 23	668-11111-02-94	CULASSE HEAD, CYLINDER 1	1	
23	668-11133-10	CULASSE .GUIDE, INTAKE VALVE	4	
24	93450-09M01	.GUIDE, SOUP D'ADM .CIRCLIP	4	
◀ 25	668-11372-01	.CIRCLIP .NIPPLE, HOSE	1	
▶ 26	676-11372-00	.RACCORD, TUYAU .NIPPLE, HOSE	2	
◀ 27	676-11372-00	.RACCORD, TUYAU .NIPPLE, HOSE	1	
▶ 28	688-24378-00	.RACCORD, TUYAU PIPE, JOINT 4	1	
28	90445-09220	DURITE, RACCORDEMENT 4 HOSE	1	FOR BODEN SEA
▶ 29	668-12481-01	DURITE PIPE 1	1	
	668-12481-00	DURITE 1 PIPE 1	1	
▶ 30	90445-09220	DURITE 1 HOSE	1	
31	90105-08M37	DURITE BOLT, WASHER BASED	3	
32	90105-08M36	BOULON, AVEC RONDELLE BOLT, WASHER BASED	3	
33	99510-10114	BOULON, AVEC RONDELLE PIN, DOWEL	2	
34	97013-06035	GOUJON, D'ASSEMBLAGE BOLT	2	
		BOULON		

▶	F9.9AM L:303597~ UL:702882~	AE S:100781~ L:409135~ UL:761715~	AEM L:469811~ UL:786864~
▶	F9.9AM L:303507~ UL:702791~	AE S:100717~ L:408522~ UL:761615~	AEM L:469482~ UL:786508~
▶	F9.9AM L:~303506 UL:~702790	AE S:~100716 L:~408521 UL:~761614	AEM L:~469481 UL:~786507

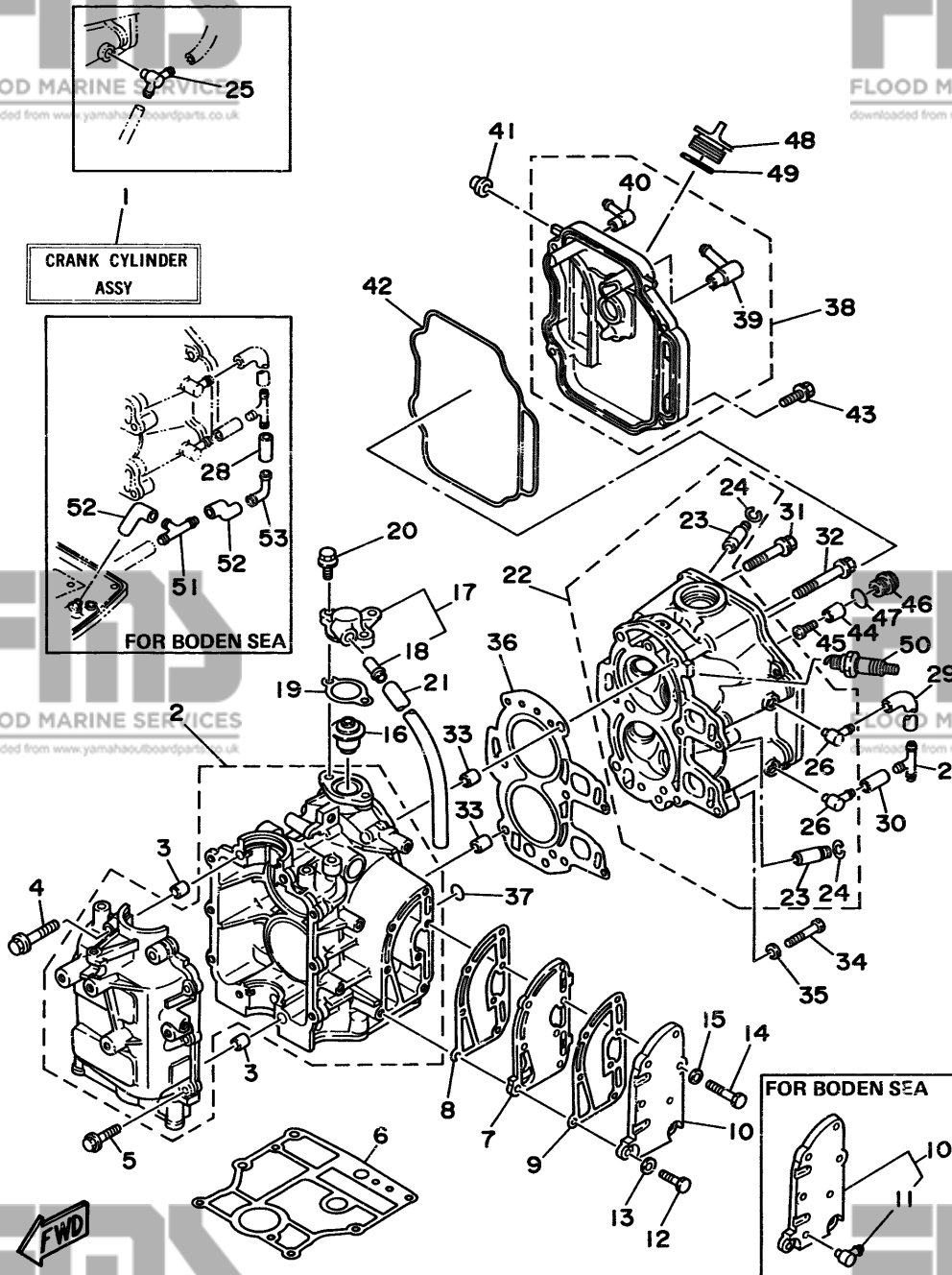
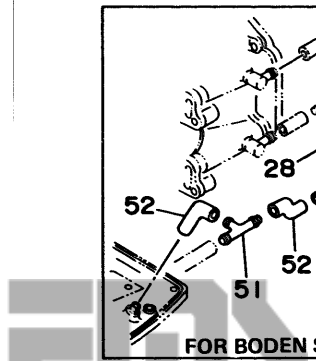


FIG. 1 CYLINDER. CRANKCASE CYLINDRE. CARTER

REF. NO.	PART NO. NO. PIECES	DESCRIPTION DESCRIPTION	Q'TY QTE	REMARKS REMARQUES
35	92990-06600	WASHER, PLATE RONDELLE, PLATE	2	
36	6G8-11181-A0	GASKET, CYLINDER HEAD 1 JOINT, DE CULASSE 1	1	
37	93210-11M59	O-RING JOINT TORIQUE	1	
38	6G8-11191-01-94	COVER, CYLINDER HEAD 1 COUVERCLE, CULASSE 1	1	
39	6G8-15373-00	.PIPE, BREATHER .DURITE DE RENIFLARD	1	
40	676-11372-00	.NIPPLE, HOSE .RACCORD, TUYAU	1	
41	6G8-81336-00	GROMMET OEILLET CAOUTCHOUC	2	
42	6G8-11356-00	SEAL, CYLINDER 2 JOINT, SPY CYLINDRE	1	
43	97595-06520	BOLT, WITH WASHER BOULON, AVEC RONDELLE	4	
44	6G8-11325-00	ANODE ANODE	1	
45	98580-05525	SCREW, PAN HEAD VIS	1	
46	6G8-11197-00	PLUG, BLIND PLOT, BORGNE	1	
47	93210-13M63	O-RING JOINT TORIQUE	1	
48	6G8-15363-00	PLUG, OIL PLOT, HUILE	1	
49	93210-24M79	O-RING JOINT TORIQUE	1	
50	94701-00282	PLUG SPARK (NGK CR6HS) BOUGIE (NGK CR6HS)	2	
51	6E5-24378-00	PIPE, JOINT 4 DURITE, RACCORDEMENT 4	1	FOR BODEN SEA
52	90445-11M38	HOSE DURITE	2	FOR BODEN SEA
53	6G8-24378-00	PIPE, JOINT 4 DURITE, RACCORDEMENT 4	1	FOR BODEN SEA

CRANK CYLINDER ASSY



FLOOD MARINE SERVICES
downloaded from www.yamahaoutboardparts.co.uk

FLOOD MARINE SERVICES
downloaded from www.yamahaoutboardparts.co.uk

FLOOD MARINE SERVICES
downloaded from www.yamahaoutboardparts.co.uk



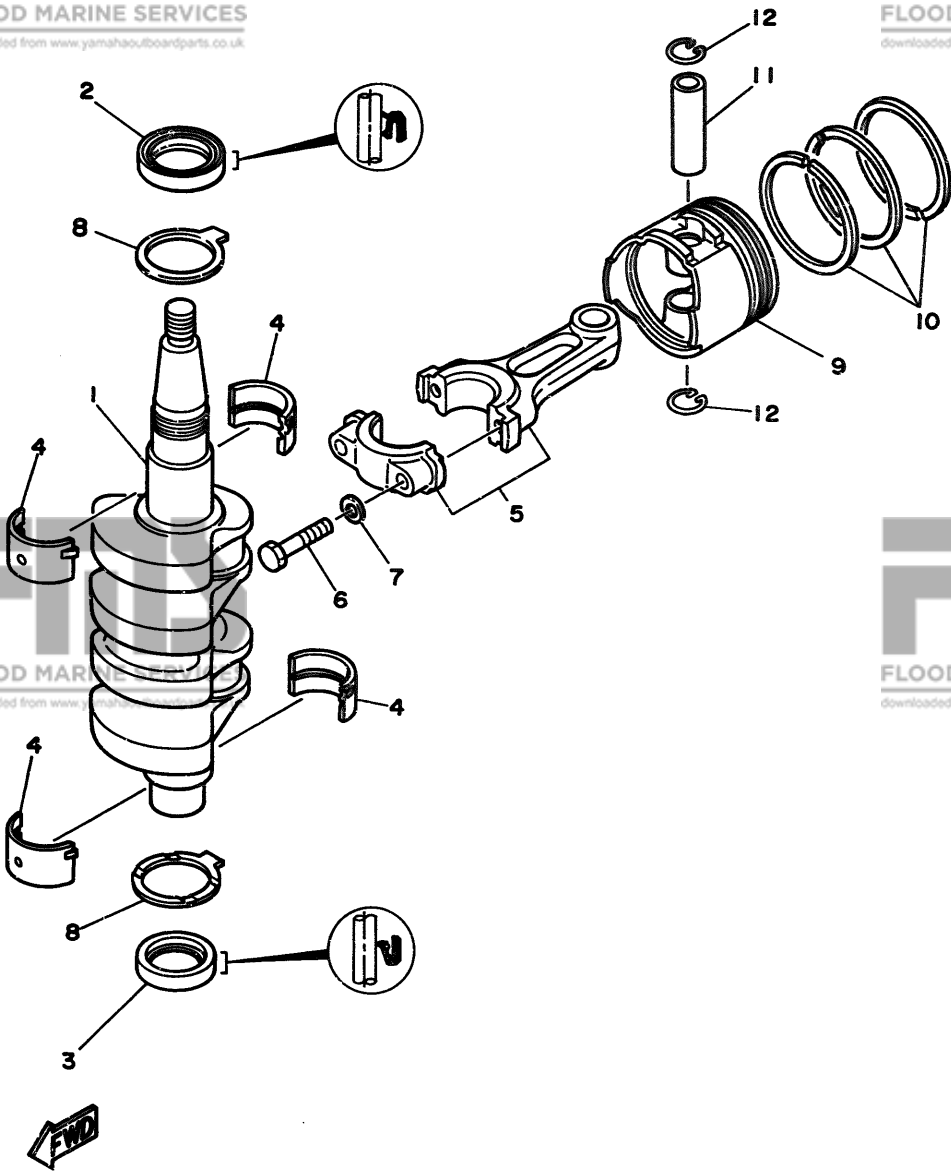


FIG. 2 CRANKSHAFT. PISTON

VILEBREQUIN. PISTON

REF. NO.	PART NO. NO. PIECES	DESCRIPTION DESCRIPTION	Q'TY QTE	REMARKS REMARQUES
	6G8-11411-04	CRANKSHAFT VILEBREQUIN COMPLET	1	
2	93102-30M22	OIL SEAL JOINT SPY	1	
3	93101-25M24	OIL SEAL JOINT SPY	1	
4	6G8-11416-00	PLANE BEARING, CRANKSHAFT 1 COUSSINET DE VILEBREQUIN	4	UR BROWN
	6G8-11416-10	PLANE BEARING, CRANKSHAFT 1 COUSSINET DE VILEBREQUIN	4	UR BLACK
	6G8-11416-20	PLANE BEARING, CRANKSHAFT 1 COUSSINET DE VILEBREQUIN	4	UR BLUE
5	6G8-11650-03	CONNECTING ROD ASSY BIELLE COMPLETE	2	
6	6G8-11654-00	BOLT, CONNECTING ROD BOULON, BIELLE	4	
7	90201-06M00	WASHER, PLATE RONDELLE, PLATE	4	
8	6G8-11426-00	PLANE BEARING, CRANKSHAFT 1 COUSSINET, VILEBREQUIN 1	2	
9	6G8-11631-03-96	PISTON (STD) PISTON (STD)	2	
	6G8-11635-03	PISTON (0.25MM O/S)	2	AP
	6G8-11636-03	PISTON (0.50MM O/S)	2	AP
10	6G8-11610-02	PISTON RING SET (STD) JEU DE SEGMENTS (STD)	2	
	6G8-11610-12	PISTON RING SET (0.25MM O/S) JEU DE SEGMENTS (0.25MM O/S)	2	AP
	6G8-11610-22	PISTON RING SET (0.50MM O/S) JEU DE SEGMENTS (0.50MM O/S)	2	AP
11	634-11633-00	PIN, PISTON AXE, PISTON	2	
12	93450-15023	CIRCLIP CIRCLIP	4	

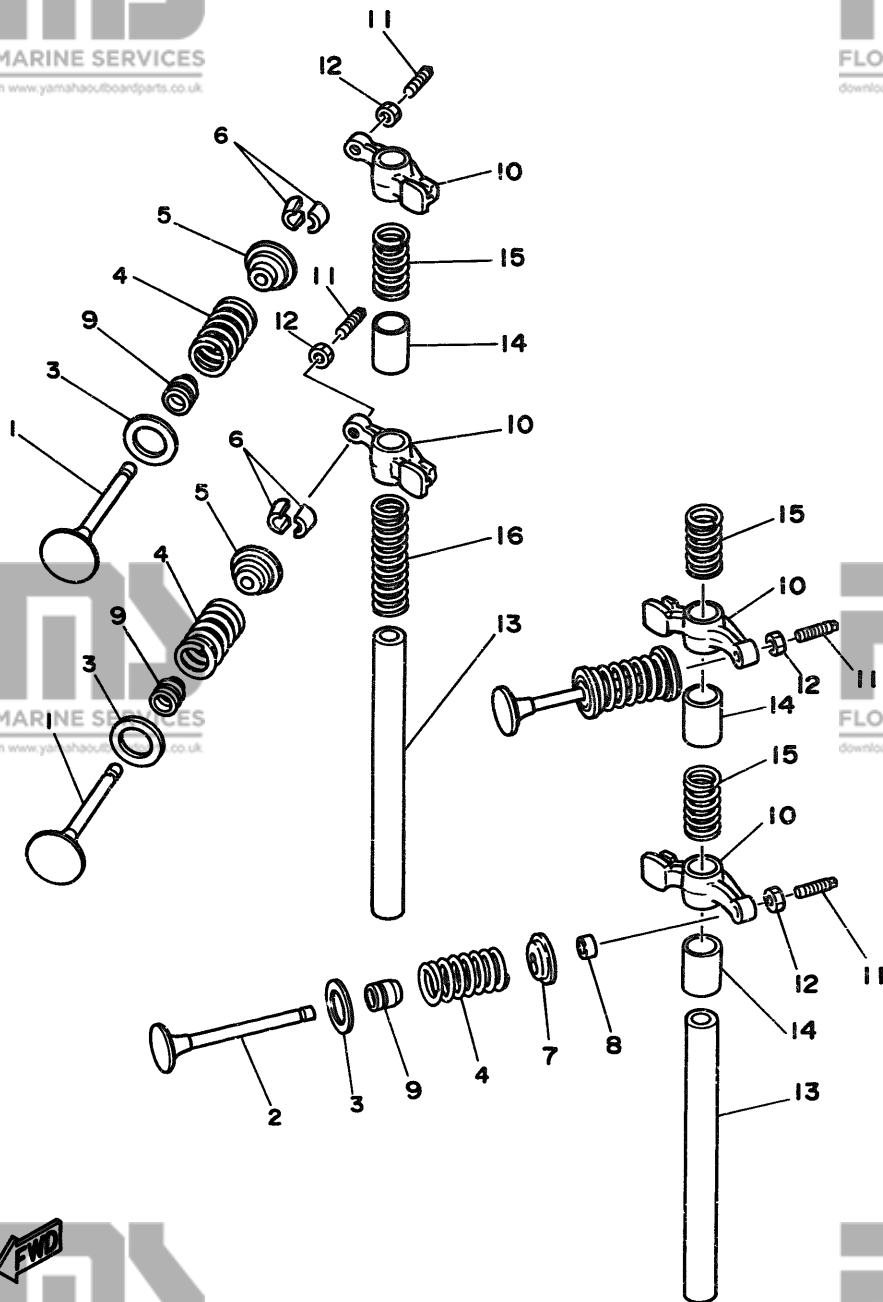


FIG. 3 VALVE

SOUPAPE

REF. NO.	PART NO. NO. PIECES	DESCRIPTION DESCRIPTION	Q'TY QTE	REMARKS REMARQUES
1	6G8-12111-00	VALVE, INTAKE	2	
2	6G8-12121-01	SOUPAPE, ADMISSION VALVE, EXHAUST	2	
3	6G8-12116-00	SOUPAPE, ECHAPPEMENT	4	
4	6G8-12113-00	SEAT, VALVE SPRING SIEGE, RESSORT DE SOUPAPE	4	
5	6G8-12117-00	SPRING, VALVE INNER RESSORT DE SOUPAPE, INTERNE	2	
6	30X-12118-00	RETAINER, VALVE SPRING BUTEE DE RESSORT DE SOUPAPA	4	
7	6G8-12117-10	COTTER, VALVE FRAISE, SOUPAPE	2	
8	6G8-12153-00	RETAINER, VALVE SPRING BUTEE DE RESSORT DE SOUPAPA	2	
9	51Y-12119-00	LIFTER, VALVE LEVE-SOUPAPE	4	
10	6G8-12151-00	SEAL, VALVE STEM JOINT, QUEUE DE SOUPAPE	4	
11	6G8-12159-00	ARM, VALVE ROCKER CULBUTEUR	4	
12	6G8-12158-00	SCREW, VALVE ADJUSTING VIS, REGLAGE DE SOUPAPE	4	
13	6G8-12146-00	NUT, LOCK CONTRE-ECROU	2	
14	90387-13M56	SHAFT, ROCKER AXE, CULBUTEUR	3	
15	90501-12M40	COLLAR COLLERETTE	3	
16	90501-12M41	SPRING, COMPRESSION RESSORT, COMPRESSION	1	

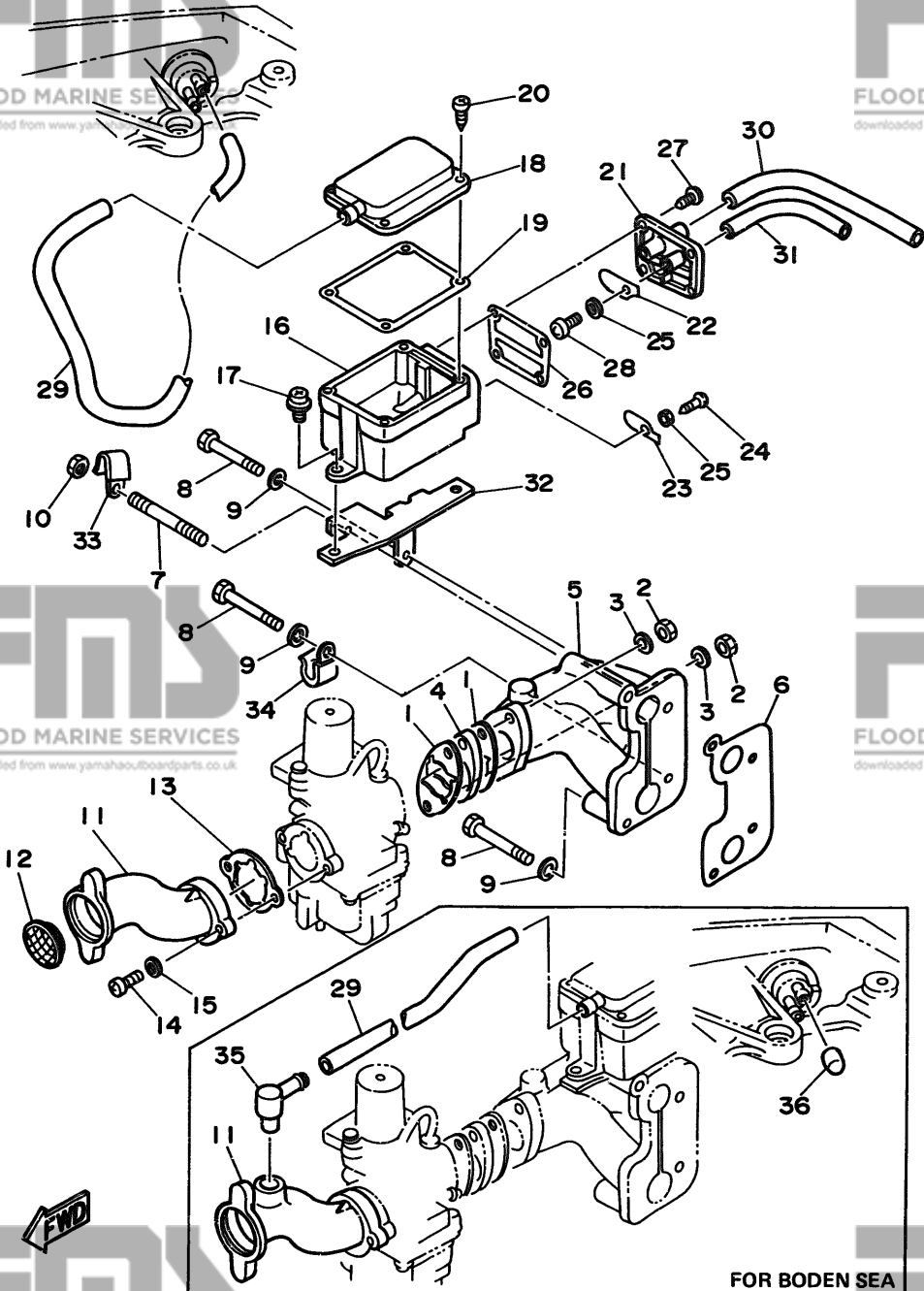


FIG. 4 INTAKE

ADMISSION

REF. NO.	PART NO. NO. PIECES	DESCRIPTION DESCRIPTION	Q'TY QTE	REMARKS REMARQUES
1	6G8-13646-A0	GASKET, MANIFOLD 2 JOINT, TUBULURE 2	2	
2	95380-06700	NUT ECROU	2	
3	92990-06600	WASHER, PLATE RONDELLE, PLATE	2	
4	6G8-13647-00	GASKET, MANIFOLD 3 JOINT, TUBULURE 3	1	
5	6G8-13641-01-94	MANIFOLD 1 TUBULURE 1	1	
6	6G8-13645-00	GASKET, MANIFOLD 1 JOINT, TUBULURE 1	1	
7	90116-06M15	BOLT, STUD GOUJON	1	
8	97095-06045	BOLT BOULON	3	
9	92990-06600	WASHER, PLATE RONDELLE, PLATE	3	
10	95380-06700	NUT ECROU	1	
▶ 11	6G8-14479-02-94	FUNNEL AILLE	1	UR STD
◀	6G8-14479-01-94	FUNNEL AILLE	1	UR STD
	6G8-14479-10-94	FUNNEL AILLE	1	UR FOR BODEN SEA
12	6G8-14478-00	LOUVER VOLET	1	
13	6G8-14198-A0	GASKET JOINT	1	
14	98580-05016	SCREW, PAN HEAD VIS	2	
15	92990-05600	WASHER, PLATE RONDELLE, PLATE	2	
16	6G8-15358-00	SEPARATOR, OIL SEPARATEUR, HUILE	1	
17	90159-06M05	SCREW, WITH WASHER VIS, AVEC RONDELLE	2	
18	6G8-15368-00-94	SEPERATOR, OIL SEPARATEUR, HUILE	1	
19	6G8-15369-00	GASKET, OIL SEAL HOUSING JOINT SPY DE LOGEMENT	1	
20	97780-40112	SCREW, TAPPING VIS, TETE BOMBEE	4	
21	6G8-15371-00-94	BREATHER RENIFLARD	1	
22	6G8-15346-00	BREATHER 1 RENIFLARD 1	1	

▶ F9.9AM L:303507~ AE S:100717~ AEM L:469482~
 UL:702791~ L:408522~ UL:786508~
 UL:761615~

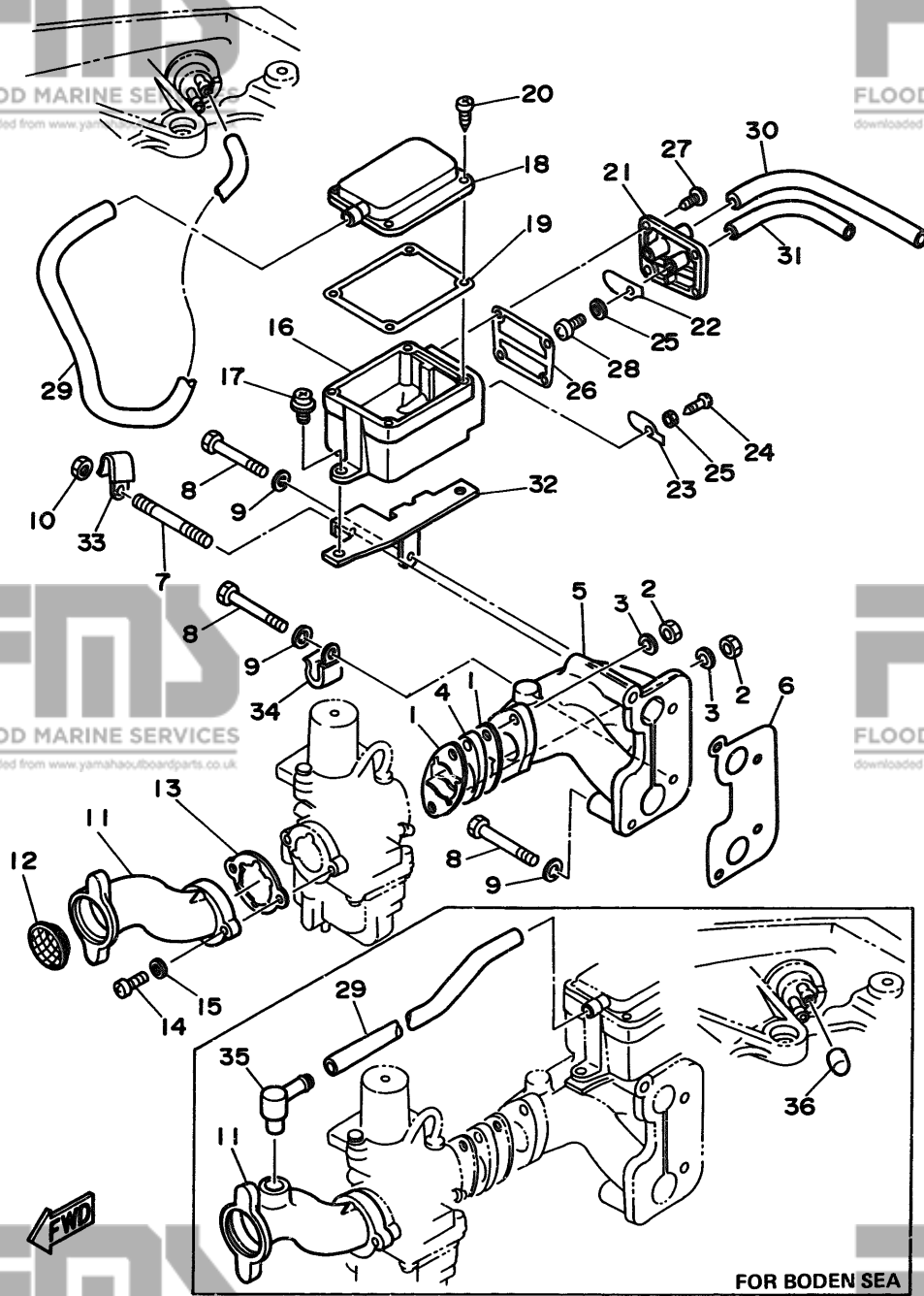
◀ F9.9AM L:~303506 AE S:~100716 AEM L:~469481
 UL:~702790 L:~408521 UL:~786507
 UL:~761614

FOR BODEN SEA

B4

FIG. 4 INTAKE ADMISSION

REF. NO.	PART NO. NO. PIECES	DESCRIPTION DESCRIPTION	Q'TY QTE	REMARKS REMARQUES
23	668-15347-00	BREATHER 2 RENIFLARD 2	1	
24	97780-40112	SCREW, TAPPING VIS, TETE BOMBEE	1	
25	92990-04200	WASHER, PLAIN RONDELLE, PLATE	2	
26	668-15374-00	GASKET, BREATHER JOINT, RENIFLARD	1	
27	97780-40112	SCREW, TAPPING VIS, TETE BOMBEE	4	
28	98507-04010	SCREW, PAN HEAD VIS, TETE TRONCONIQUE	1	
29	668-15393-00	PIPE, BREATHER 2 DURITE, RENIFLARD 2	1	UR STD
	668-15393-10	PIPE, BREATHER 2 DURITE, RENIFLARD 2	1	UR FOR BODEN SEA
30	90445-11M52	HOSE DURITE	1	
31	90445-09065	HOSE DURITE	1	
32	668-15376-00	HOLDER, GUIDE SUPPORT, GUIDE	1	
33	90465-08028	CLAMP BRIDE	1	
34	90465-08028	CLAMP BRIDE	1	
	90461-06M01	CLAMP BRIDE	1	
35	668-15373-00	PIPE, BREATHER DURITE DE RENIFLARD	1	FOR BODEN SEA
36	668-13448-00	CAP CAPUCHON	1	FOR BODEN SEA



- F9.9AM L:303507~ AE S:100717~ AEM L:469482~
- UL:702791~ L:408522~ UL:786508~
- UL:761615~
- F9.9AM L:~303506 AE S:~100716 AEM L:~469481
- UL:~702790 L:~408521 UL:~786507
- UL:~761614

B5

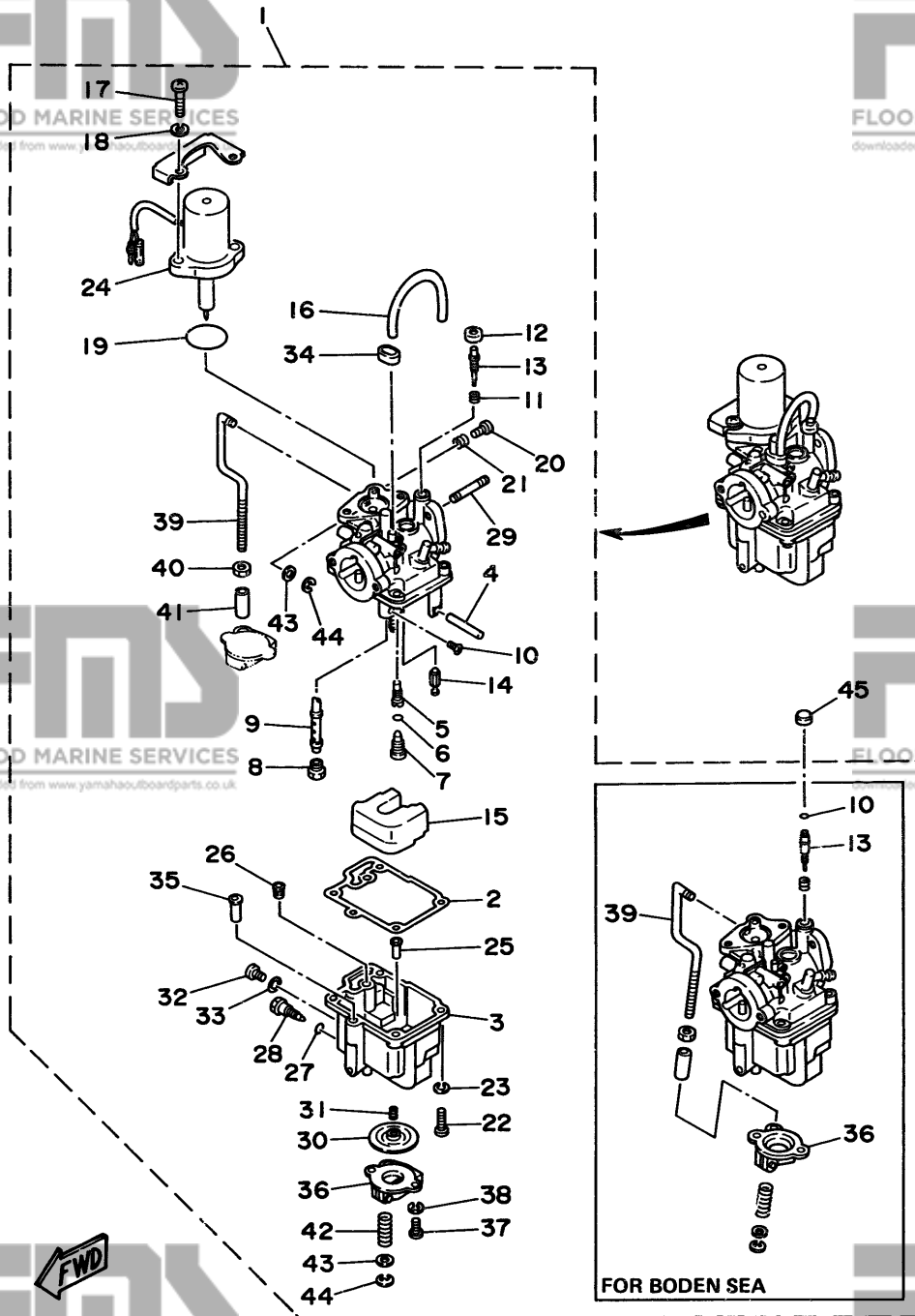


FIG. 5 CARBURETOR

CARBURATEUR

REF. NO.	PART NO. NO. PIECES	DESCRIPTION DESCRIPTION	Q'TY QTE	REMARKS REMARQUES
1	6G8-14301-05	CARBURETOR ASSY 1 CARBURATEUR COMPLET 1	1	UR STD
	6G8-14301-10	CARBURETOR ASSY 1 CARBURATEUR COMPLET 1	1	UR FOR BODEN SEA
2	6G8-14384-01	.GASKET, FLOAT CHAMBER .JOINT, CUVE DE FLOTTEUR	1	
3	6G8-14381-02	.BODY, FLOAT CHAMBER .CORPS, CUVE DE FLOTTEUR	1	
4	647-14386-10	.PIN, FLOAT .AXE, FLOTTEUR	1	
5	6G8-14342-24	.JET, PILOT (# 48) .GICLEUR, RALENTI (# 48)	1	
6	654-14198-00	.GASKET .JOINT	1	
7	6G8-14345-00	.PLUG, MAIN NOZZLE .PLOT, GICLEUR PRINCIPAL	1	
8	648-14343-43	.JET, MAIN (# 86) .GICLEUR, PRINCIPAL (# 86)	1	UR STD
	648-14343-41	.JET, MAIN (# 82) .GICLEUR, PRINCIPAL (# 82)	1	UR FOR BODEN SEA
9	6G8-14341-20	.NOZZLE, MAIN .PUITS D'AIGUILLE	1	UR STD
	6G8-14341-30	.NOZZLE, MAIN .PUITS D'AIGUILLE	1	UR FOR BODEN SEA
10	6G8-14216-00	.SCREW .VIS	1	UR STD
	5H0-14397-00	.O-RING .JOINT TORIQUE	1	UR FOR BODEN SEA
11	647-14334-00	.SPRING .RESSORT	1	
12	6G8-14997-00	.SEAL .DURITE	1	STD
13	6G8-14323-00	.SCREW, AIR ADJUSTING .VIS DE DOSEUR D'AIR	1	UR STD
	6G8-14323-10	.SCREW, AIR ADJUSTING .VIS DE DOSEUR D'AIR	1	UR FOR BODEN SEA
14	6G8-14392-00	.VALVE, NEEDLE .POINTEAU	1	
15	6G8-14385-00	.FLOAT .FLOTTEUR	1	
16	6G8-14197-01	.PIPE .DURITE	1	
17	98580-06018	.SCREW, PAN HEAD .VIS	2	
18	92995-06100	.WASHER, SPRING .RONDELLE, GROWER	2	
19	1HV-14147-00	.O-RING .JOINT TORIQUE	1	
20	664-14321-01	.SCREW, THROTTLE .VIS, ACCELERATEUR	1	
21	646-14212-00	.SPRING, PILOT ADJUSTING .RESSORT, VIS DE RALENTI	1	
22	98580-04016	.SCREW, PAN HEAD .VIS	4	
23	92990-04100	.WASHER, SPRING .RONDELLE, GROWER	4	

B6

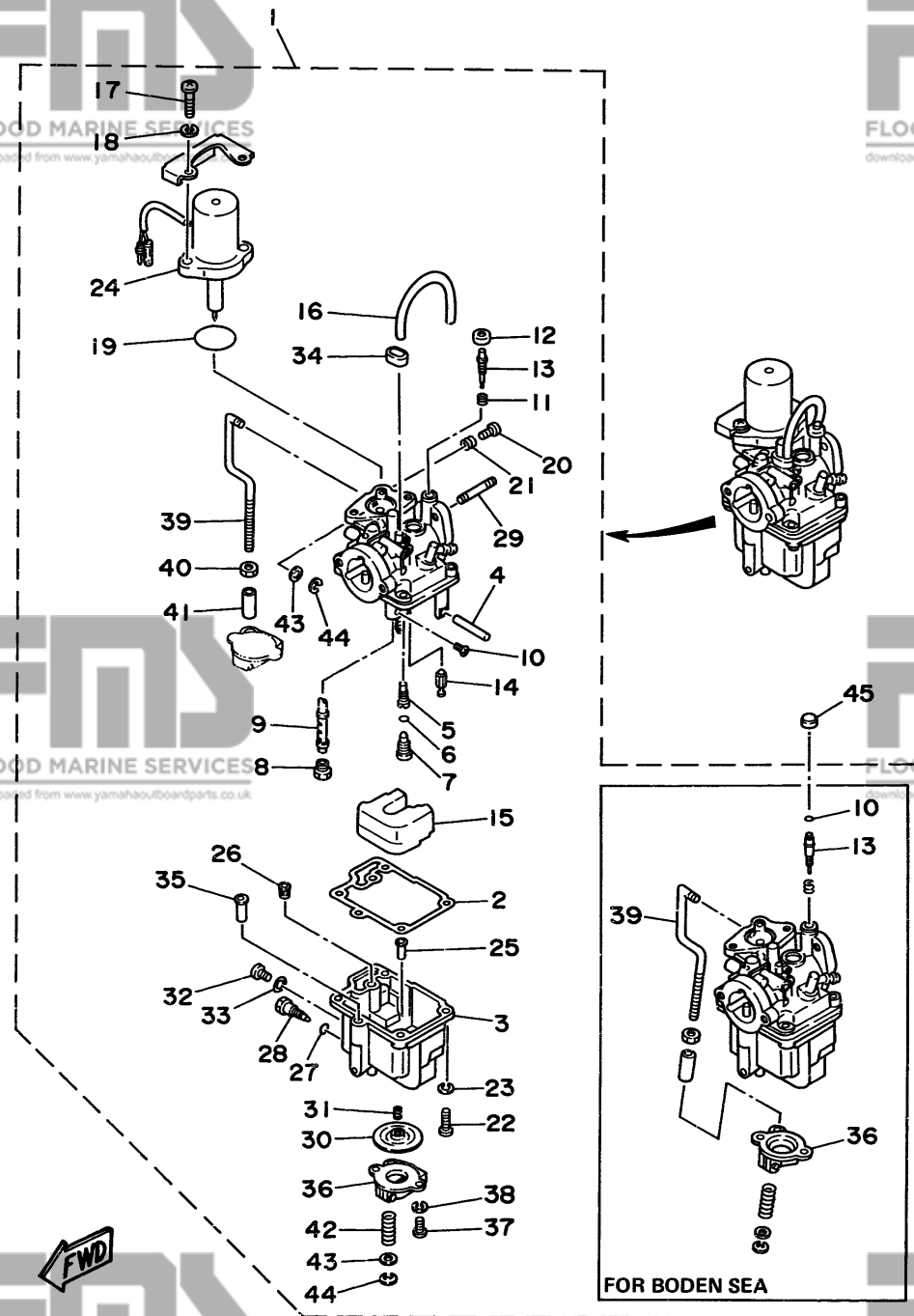


FIG. 5 CARBURETOR

CARBURETEUR

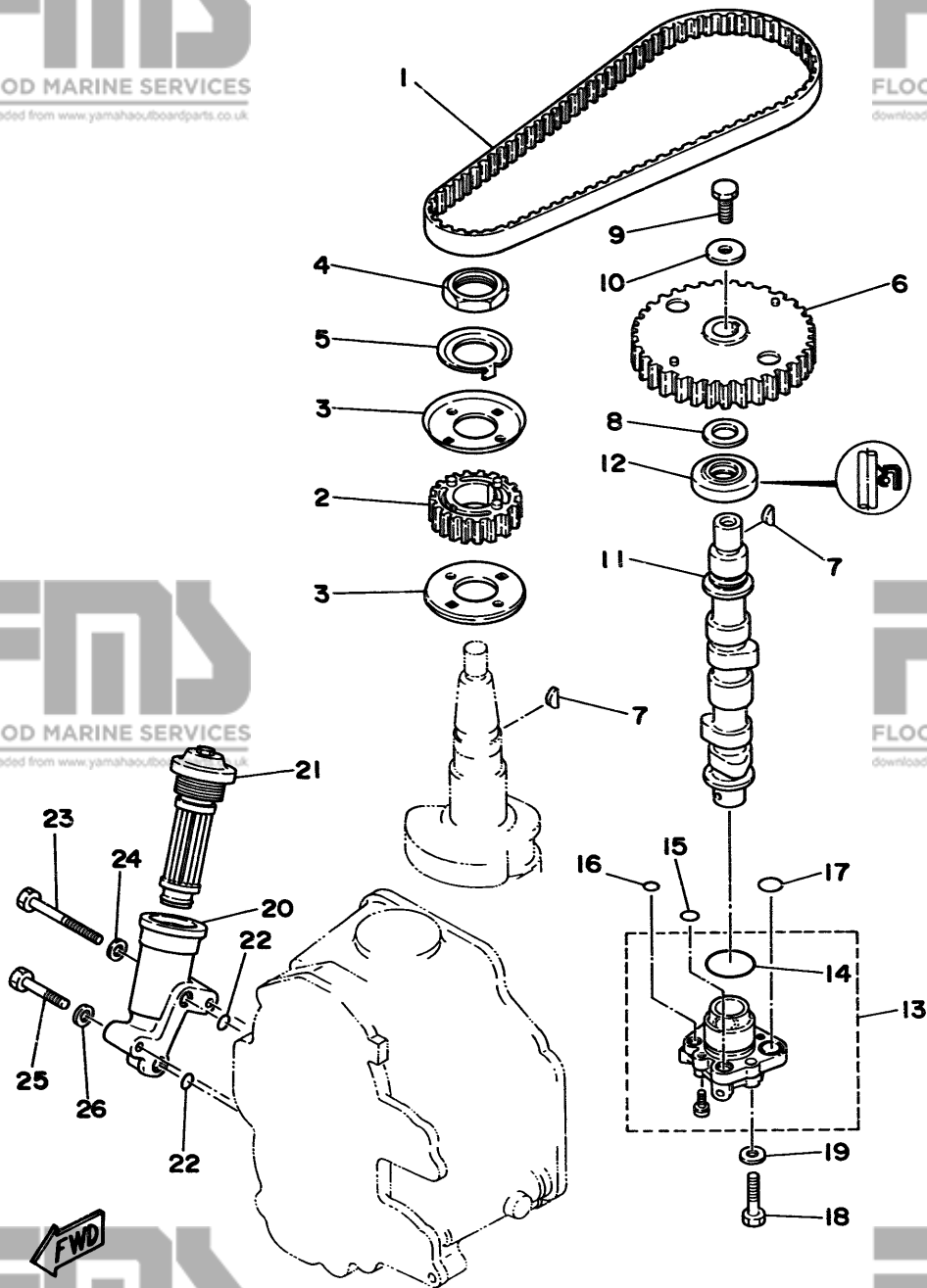
REF. NO.	PART NO. NO. PIECES	DESCRIPTION DESCRIPTION	Q'TY QTE	REMARKS REMARQUES
24	6G8-1410A-01	.STARTER SET .JEU DE STATERS	1	
25	6G8-14827-00	.FILTER .FILTRE	1	
26	6A4-14344-30	.JET, STARTER (# 60)	1	
27	5Y1-14397-00	.GICLEUR, STARTER (# 60)	1	
28	6G8-14383-00	.O-RING	1	
29	90116-06M26	.JOINT TORIQUE	1	
30	6G8-14368-00	.SCREW, DRAIN .BOUCHON, PURGE	1	
31	6G8-14275-01	.BOLT, STUD .GOUJON	2	
32	6G8-14368-00	.DIAPHRAGM ASSY 1 .DIAPHRAGME 1	1	
33	6G8-14275-01	.SPRING .RESSORT	1	
34	97890-05006	.SCREW, PAN HEAD .VIS, CRUCIFORME	1	
35	646-14198-01	.GASKET .JOINT	1	
36	6G8-14349-00	.PIPE .DURITE	1	
37	6G8-14217-00	.VALVE, CHOKE .CLAPET DE STARTER	1	
38	6G8-14293-03	.COVER 1 .COUVERCLE 1	1	UR STD
39	6G8-14293-10	.COVER 1 .COUVERCLE 1	1	UR FOR BODEN SEA
40	98580-04010	.SCREW, PAN HEAD .VIS	2	
41	92990-04100	.WASHER, SPRING .RONDELLE, GROWER	2	
42	6G8-14379-00	.ROD, STARTER .TRINGLE, STARTER	1	UR STD
43	6G8-14379-10	.ROD, STARTER .TRINGLE, STARTER	1	UR FOR BODEN SEA
44	98813-03100	.NUT .ECROU	1	
45	6G8-14229-00	.SHAFT, CHOKE .AXE, STARTER	1	
46	6G8-14286-01	.SPRING .RESSORT	1	
47	6G8-14357-00	.WASHER, PLAIN .RONDELLE PLATE	2	
48	389-14137-00	.CLIP .JONC	2	
49	6G8-14457-00	SEAL JOINT	1	FOR BODEN SEA

B7

FIG. 6 OIL PUMP

POMPE A HUILE

REF. NO.	PART NO. NO. PIECES	DESCRIPTION DESCRIPTION	Q'TY QTE	REMARKS REMARQUES
1	6G8-46241-00	V-BELT COURROIE TRAPEZOIDALE	1	
2	6G8-11536-00-94	GEAR, DRIVE PIGNON SECONDAIRE	1	
3	6G8-11557-00	WASHER 1 RONDELLE 1	2	
4	90170-24M09	NUT ECROU	1	
5	6G8-11587-00	WASHER, LOCK RONDELLE, FREIN	1	
6	6G6-11537-00-94	GEAR, DRIVEN PIGNON SECONDAIRE	1	
7	90280-03M01	KEY, WOODRUFF CLAVETTE, DEMI-LUNE	2	
8	90201-13201	WASHER, PLATE RONDELLE, PLATE	1	
9	97095-06016	BOLT BOULON	1	
10	90201-06M94	WASHER, PLATE RONDELLE, PLATE	1	
11	6G8-12171-00	CAMSHAFT 1 ARBRE A CAMES 1	1	
12	93102-18M21	OIL SEAL JOINT SPY	1	
13	6G8-13300-02	OIL PUMP ASSY POMPE A HUILE COMPLET	1	
14	93210-27ME3	O-RING JOINT TORIQUE	1	
15	93210-10M61	O-RING JOINT TORIQUE	1	
16	93210-09M01	O-RING JOINT TORIQUE	1	
17	93210-13M63	O-RING JOINT TORIQUE	2	
18	97095-06025	BOLT BOULON	3	
19	92990-06600	WASHER, PLATE RONDELLE, PLATE	3	
20	6G8-13442-00-94	HOUSING, OIL FILTER LOGEMENT, FILTRE A HUILE	1	
21	6G8-13440-00	ELEMENT ASSY, OIL CLEANER ELEMENT, FILTRE A HUILE	1	
22	93210-09M01	O-RING JOINT TORIQUE	2	
23	97313-06050	BOLT BOULON	1	
24	92990-06600	WASHER, PLATE RONDELLE, PLATE	1	
25	97095-06030	BOLT BOULON	1	
26	92990-06600	WASHER, PLATE RONDELLE, PLATE	1	



C1

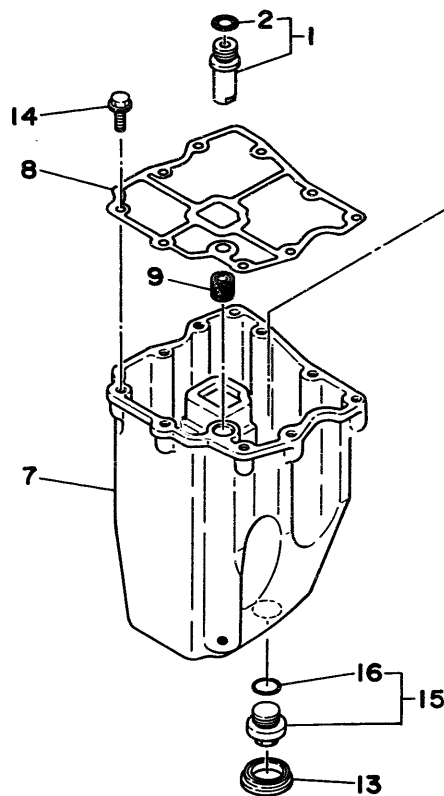
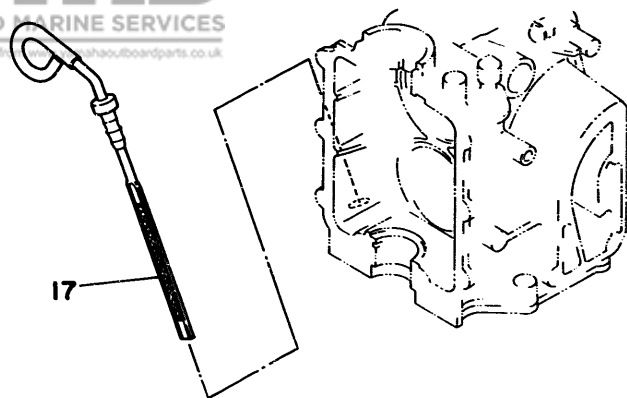


FIG. 7 OIL PAN

VENTILATEUR D'HUILE

REF. NO.	PART NO. NO. PIECES	DESCRIPTION DESCRIPTION	Q'TY QTE	REMARKS REMARQUES
1	6G8-11575-00	RELIEF VALVE ASS'Y SOUPAPE DE RENTREE D'AIR	1	
2	93210-12M62	.O-RING	1	
3	6G8-15379-00	.JOINT TORIQUE SEAL, CRANKCASE	1	
4	6G8-13487-00	JOINT SPY DE CARTER DE MOTEUR	1	
5	98580-05012	GUIDE, OIL HOSE GUIDE DE DURITE A HUILE	1	
6	92990-05600	SCREW, PAN HEAD VIS	1	
7	6G8-15311-02-0D	WASHER, PLATE RONDELLE, PLATE	1	
8	6G8-15312-A1	OIL PAN VENTILATEUR D'HUILE	1	
9	6G8-45127-00	GASKET, OIL PAN JOINT DE VENTILATEUR D'HUILE	1	
10	97313-06010	SEAL JOINT	1	
11	92995-06100	BOLT BOULON	1	
12	6G8-13421-00	WASHER, SPRING RONDELLE, GROWER	1	
13	6G8-15316-00	STRAINER 2 FILTRE 2	1	
14	90105-06M33	DAMPER, ENGINE MOUNT 1 AMORTISSEUR DE SUPPORT	9	
15	6G8-13471-00	BOLT, WASHER BASED BOULON, AVEC RONDELLE	1	
16	93210-16M64	PLUG, DRAIN PLOT, VIDANGE	1	
17	6G8-15362-04	.O-RING .JOINT TORIQUE	1	
		PLUG, OIL LEVEL PLOT, NIVEAU D'HUILE	1	

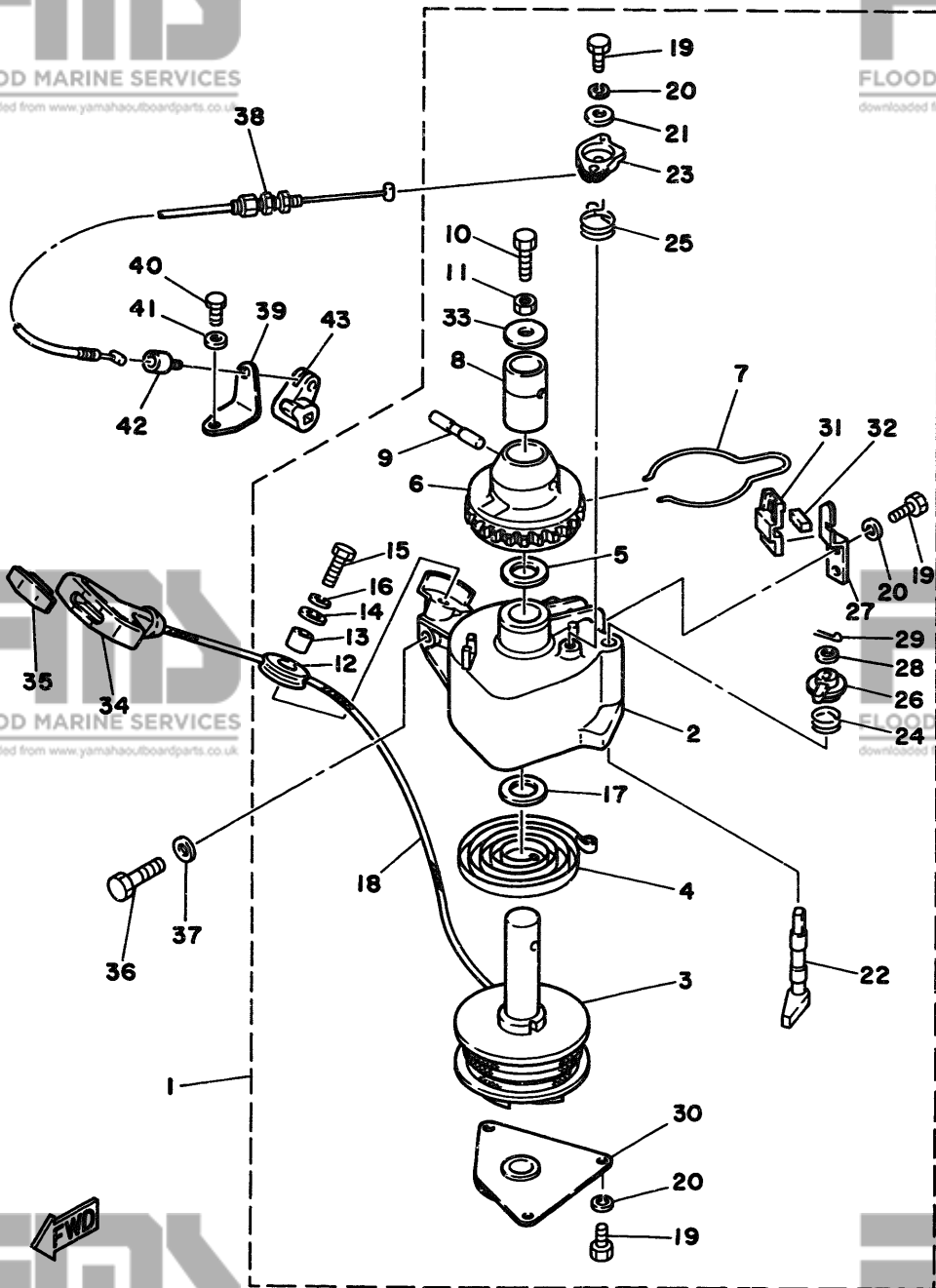


FIG. 8 STARTER

DEMARREUR

REF. NO.	PART NO. NO. PIECES	DESCRIPTION DESCRIPTION	QTY QTE	REMARKS REMARQUES
1	6G8-15710-10	STARTER ASSY DEMARREUR COMPLET	1	
2	6G8-15711-00	.CASE, STARTER	1	
3	6G8-15714-00	.CARTER DE DEMARREUR .DRUM, SHEAVE	1	
4	6G8-15713-00	.TAMBOUR, POULIE .SPRING, STARTER	1	
5	6G8-15719-00	.RESSORT DE DEMARREUR .WASHER, THRUST	1	
6	6G8-15723-00	.RONDELLE, DE BUTEE .PULLEY, STARTER	1	
7	6G8-15715-00	.POULIE DE DEMARREUR .SPRING, DRIVE PLATE	1	
8	6G8-15754-00	.RESSORT, PLAQUE D'ENTRAINEMT .BUSH 2	1	
9	6G8-15727-00	.BAGUE 2 .PIN	1	
10	6G8-15768-00	.AXE .BOLT	1	
11	95303-08700	.BOULON .NUT	1	
12	6F5-15752-00	.ECROU .ROLLER, WIRE	1	
13	6F5-15753-00	.GALET, CABLE .BUSH	1	
14	6F5-15791-00	.CHARBON .WASHER, LOCK	1	
15	97315-06025	.RONDELLE-FREIN .BOLT	1	
16	92995-06100	.BOULON, HEXAGONAL .WASHER, SPRING	1	
17	6G8-15739-00	.RONDELLE, GROWER .WASHER, THRUST	1	
18	*	.RONDELLE, DE BUTEE .WIRE (L1850) .CABLE(L1850)	1	
19	97313-05012	.BOLT	6	
20	92990-05100	.BOULON .WASHER, SPRING	6	
21	6G8-15726-00	.RONDELLE, GROWER .WASHER, FLAT	1	
22	6G8-15794-00	.RONDELLE, PLATE .STOPPER	1	
23	6G8-15746-00	.BUTEE .ARM	1	
24	6G8-15767-00	.BRAS .SPRING	1	
25	6G8-15734-00	.RESSORT .RESSORT, RAPPEL	1	

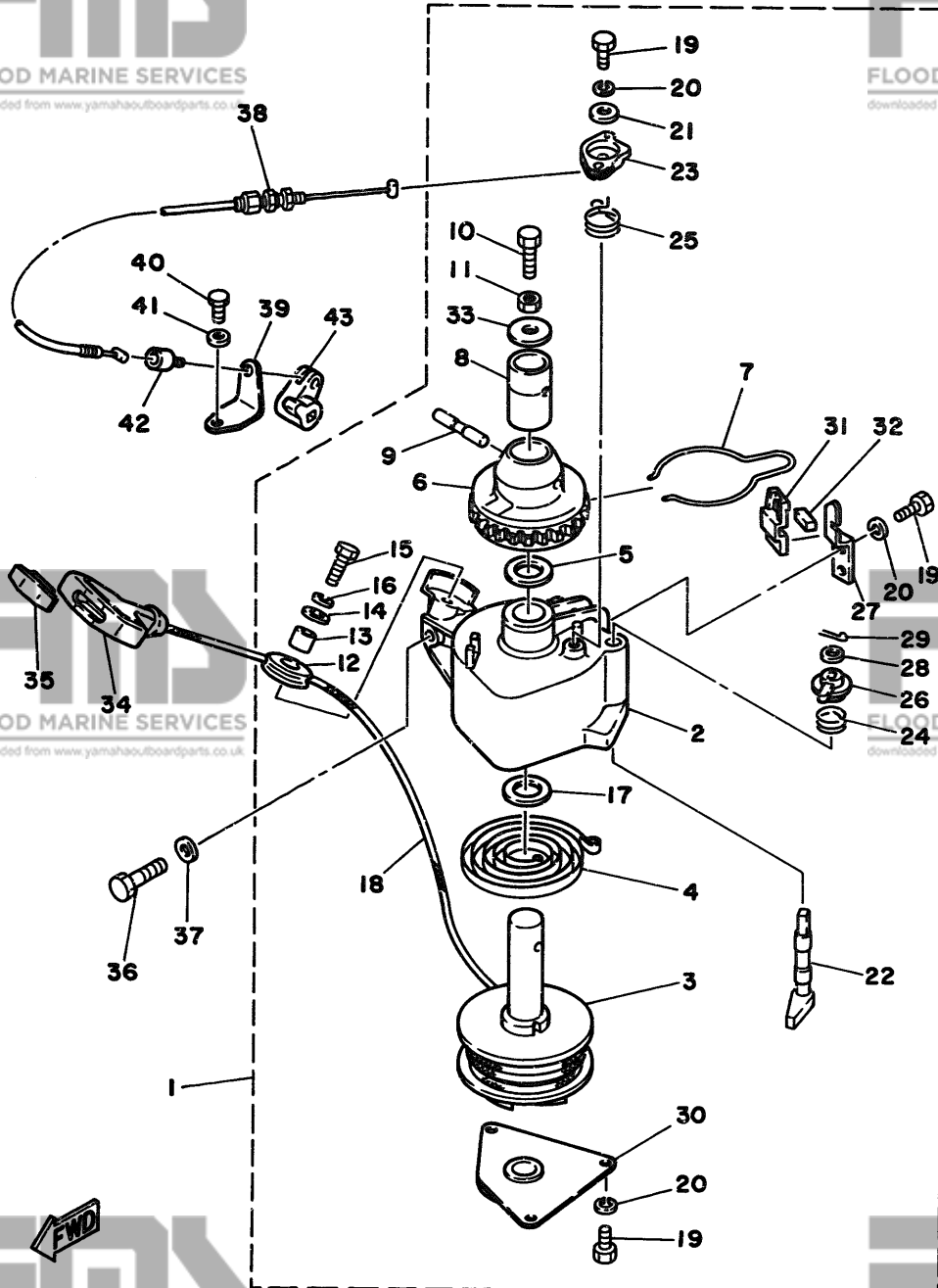
* CUT FROM 50M ROLLS, PARTS NO. 90890-44373, CUTTING LENGTH 1.85M.

* A PRELEVER SUR BOBINE 50M, REFERENCE 90890-44373, LONGUEUR DE COUPE 1.85M.



FIG. 8 STARTER

DEMARREUR



REF. NO.	PART NO. NO. PIECES	DESCRIPTION DESCRIPTION	Q'TY QTE	REMARKS REMARQUES
26	6G8-15747-00	.LINK	1	
27	6G8-15716-00	.BIELLETTA	1	
28	92990-06200	.PLATE, DRIVE	1	
29	91490-16015	.PLAQUE, ENTRAINEMENT	1	
30	6G8-15712-00	.WASHER, PLAIN	1	
31	6G8-15779-00	.RONDELLE, PLATE	1	
32	6G8-15789-00	.PIN, COTTER	1	
33	6G8-15742-00	.GOUPILLE	1	
34	6G1-15755-00	.COVER, STARTER CASE	1	
35	689-15779-01	.COUVERCLE, CARTER DEMARREUR	1	
36	97313-08030	.COVER	1	
37	92990-08600	.COUVERCLE	3	
38	6G8-15770-00	.DAMPER	1	
39	6G8-15771-00	.AMORTISSEUR	1	
40	97095-06012	.WASHER, DRIVE PAWL	1	
41	92990-06600	.RONDELLE, CLIQUET	1	
42	6G8-15772-00	HANDLE, STARTER	1	
43	6G8-44125-00	POIGNEE, DE DEMARREUR	1	
		COVER	1	
		COUVERCLE	1	
		BOLT	3	
		BOULON	3	
		WASHER, PLATE	3	
		RONDELLE, PLATE	1	
		CABLE COMP., STARTER STOP	1	
		CABLE, BUTEE DE DEMAR	1	
		STAY 1	1	
		SUPPORT 1	1	
		BOLT	1	
		BOULON	1	
		WASHER, PLATE	1	
		RONDELLE, PLATE	1	
		STAY 2	1	
		SUPPORT 2	1	
		LEVER, SHIFT ROD	1	
		LEVIER, TIGE D'INVERSION	1	



C4

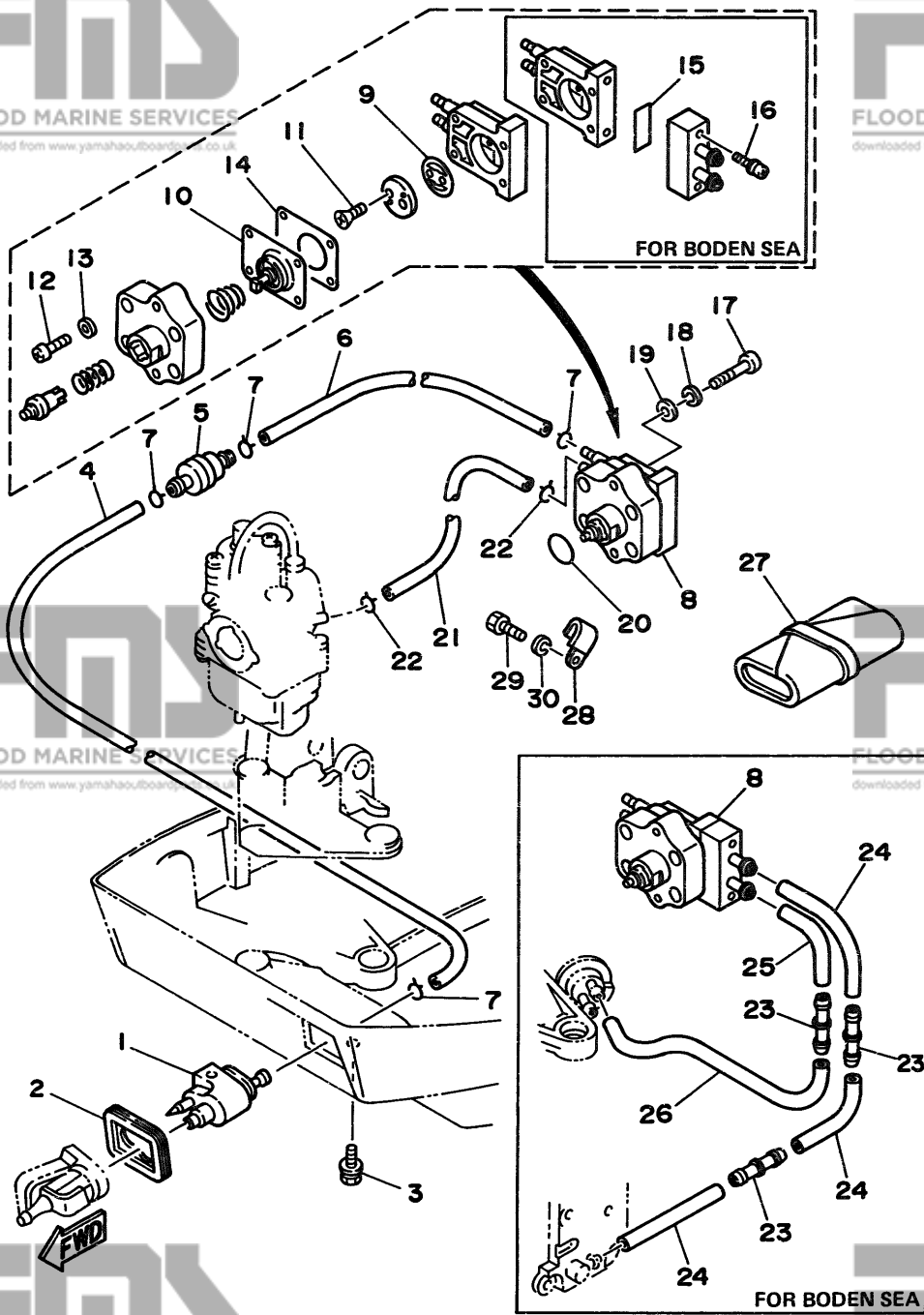


FIG. 9 FUEL

CARBURANT

REF. NO.	PART NO. NO. PIECES	DESCRIPTION DESCRIPTION	Q'TY QTE	REMARKS REMARQUES
1	6G1-24304-02	FUEL PIPE JOINT COMP. 1	1	
2	6G8-24329-00	DURITE RACCORDEMT. A ESSENCE	1	
3	97595-06520	SEAL JOINT	1	
4	6G8-24311-00	BOLT, WITH WASHER BOULON, AVEC RONDELLE	1	
5	646-24251-02	PIPE, FUEL 1 DURITE A ESSENCE	1	
6	646-24251-02	STRAINER 1	1	
7	90445-09065	FILTRE 1	1	
8	90467-08004	HOSE DURITE	1	
9	90467-08004	CLIP JONC	4	
▶ 8	6G8-24410-03	FUEL PUMP ASSY POMPE A ESSENCE	1	UR STD
◀ 8	6G8-24410-02	FUEL PUMP ASSY POMPE A ESSENCE	1	UR STD
	6G8-24410-E0	FUEL PUMP ASSY POMPE A ESSENCE	1	UR FOR BODEN SEA
9	6G8-24421-00	VALVE, CHECK .VALVE, RETENUE	1	
10	6G8-24411-02	DIAPHRAGM .DIAPHRAGME	1	
11	98780-03008	SCREW, FLAT HEAD .VIS A TETE FRAISEE	2	
12	98503-04014	SCREW, PAN HEAD .VIS	4	
13	92990-04200	WASHER, PLAIN .RONDELLE, PLATE	4	
14	6G8-24471-00	DIAPHRAGM .DIAPHRAGME	1	
15	6G8-24329-00	SEAL .JOINT	1	FOR BODEN SEA
16	677-24444-01	SCREW .VIS	2	FOR BODEN SEA
17	98580-06025	SCREW, PAN HEAD .VIS	2	
18	92995-06100	WASHER, SPRING .RONDELLE, GROWER	2	
19	92990-06600	WASHER, PLATE .RONDELLE, PLATE	2	
20	93210-20M65	O-RING	1	
▶ 21	90445-09105	JOINT TORIQUE	1	
◀ 90445-09225	HOSE DURITE	1		

▶	F9.9AM L:303507~ UL:702791~	AE S:100717~ L:408522~ UL:761615~	AEM L:469482~ UL:786508~
◀	F9.9AM L:~303506 UL:~702790	AE S:~100716 L:~408521 UL:~761614	AEM L:~469481 UL:~786507

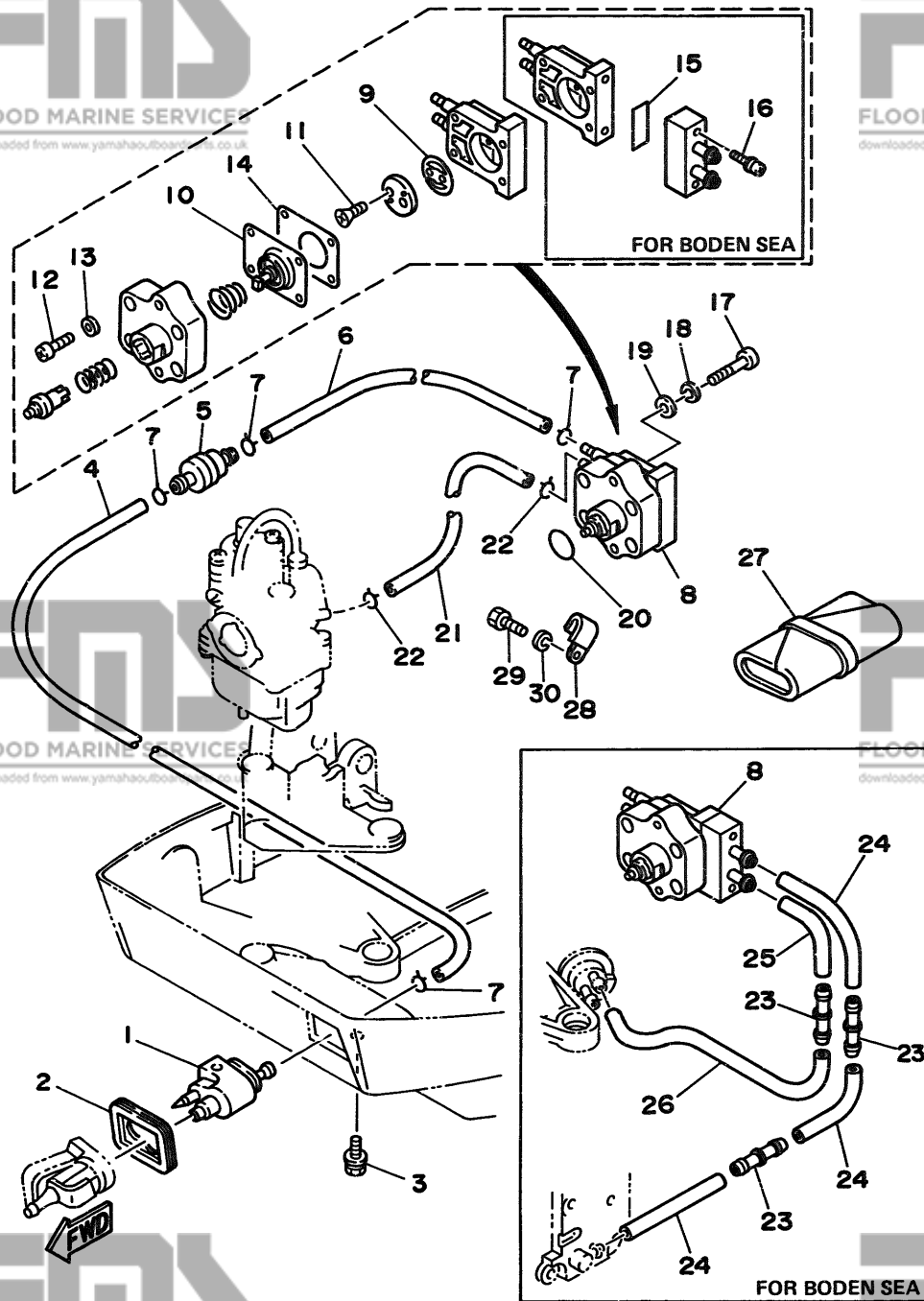


FIG. 9 FUEL

CARBURANT

REF. NO.	PART NO. NO. PIECES	DESCRIPTION DESCRIPTION	Q'TY QTE	REMARKS REMARQUES
22	90467-08004	CLIP JONC	2	
23	668-24376-00	PIPE, JOINT 1 DURITE 1, RACCORDEMENT	3	FOR BODEN SEA
24	90445-09065	HOSE DURITE	3	FOR BODEN SEA
25	6H4-24312-00	PIPE 2 DURITE 2	1	FOR BODEN SEA
26	90445-09M00	HOSE DURITE	1	FOR BODEN SEA
27	676-W2810-01	TOOL KIT TROUSSE A OUTILS	1	
◀ 28	90465-08028	CLAMP BRIDE	1	
◀ 29	97013-06012	BOLT BOULON	1	
◀ 30	92990-06600	WASHER, PLATE RONDELLE, PLATE	1	

F9.9AM L:~303506
UL:~702790

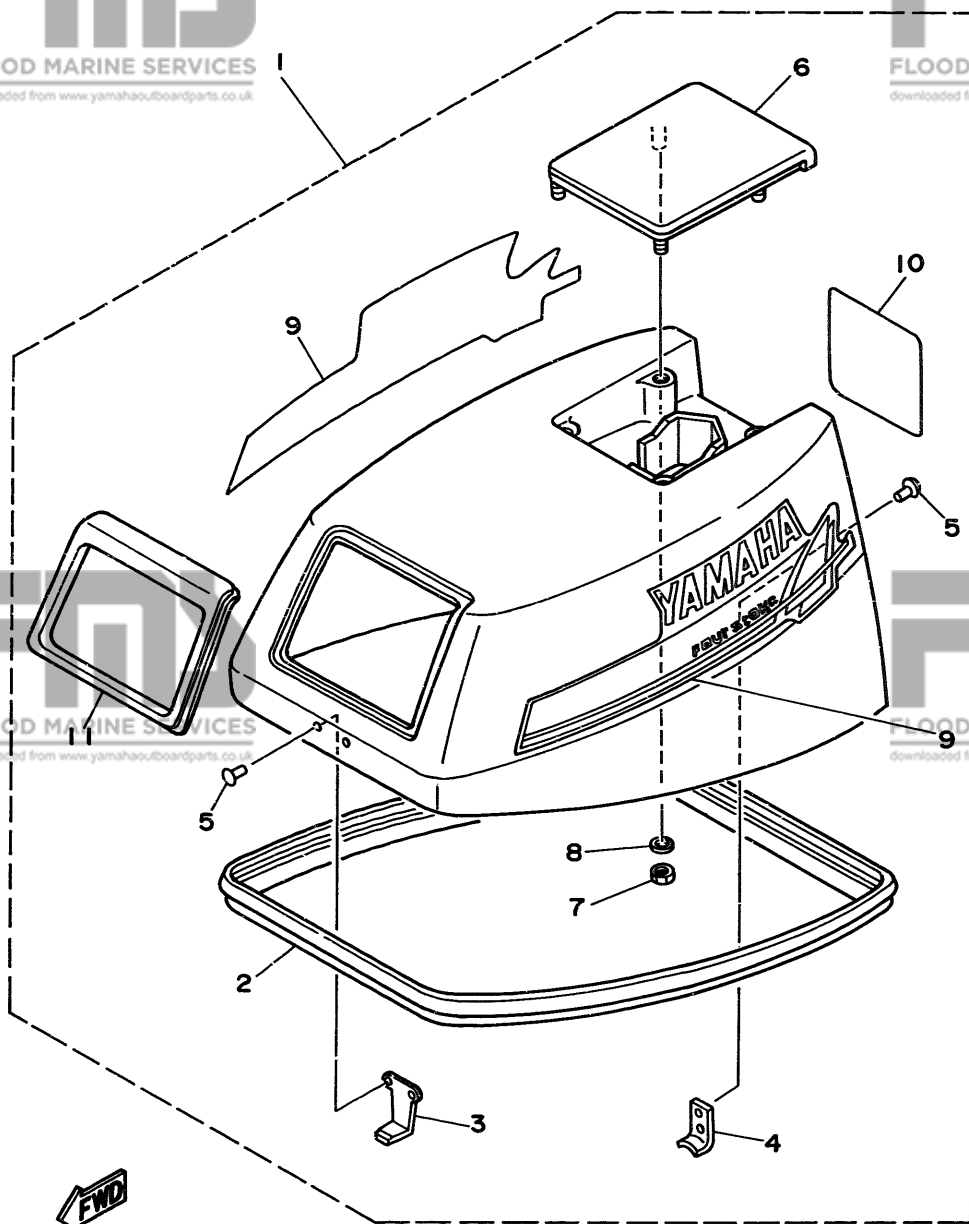
AE S:~100716
L:~408521
UL:~761614

AEM L:~469481
UL:~786507

C6

FIG. 10 TOP COWLING

CAPOT SUPERIEUR

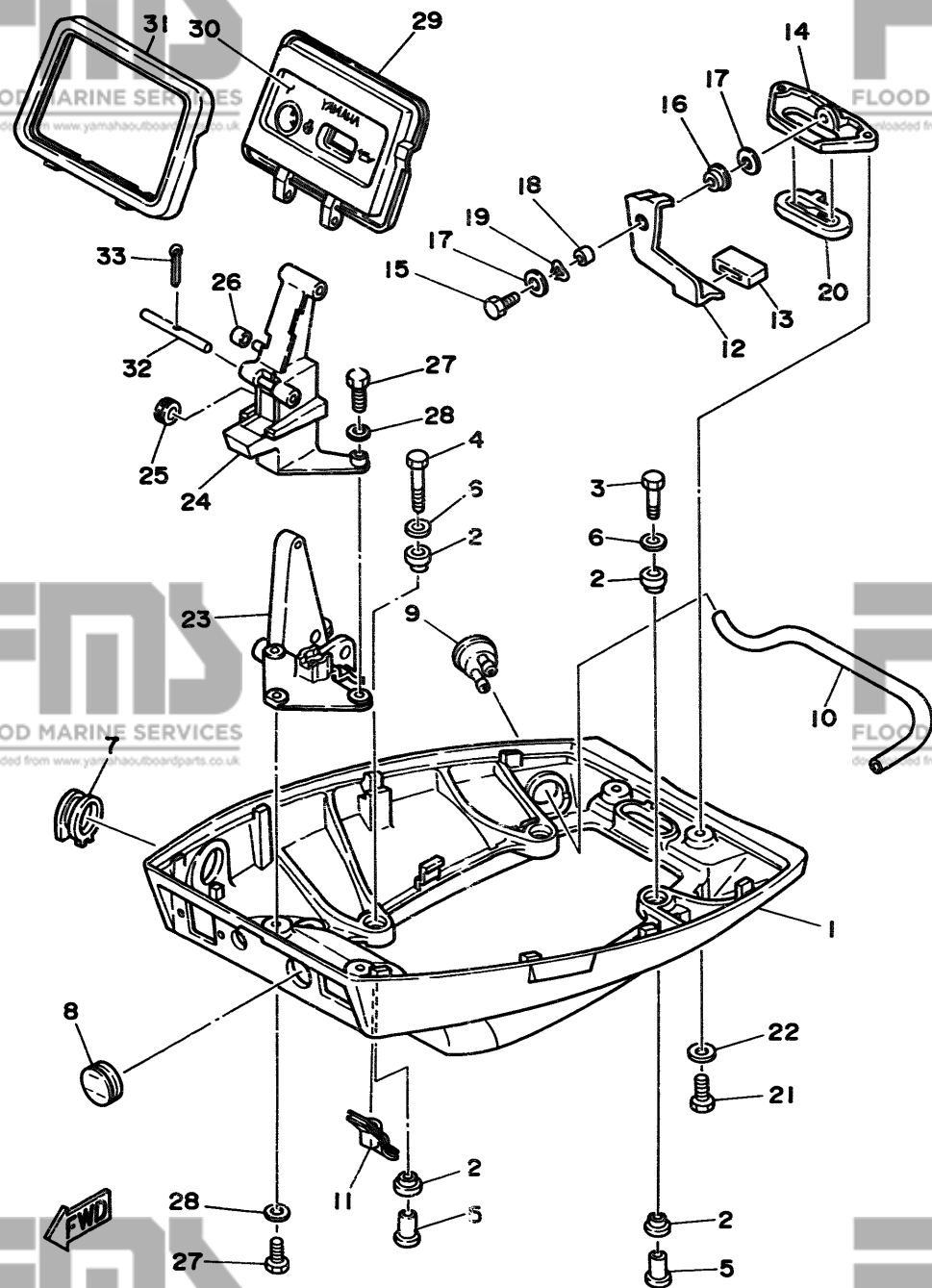


REF. NO.	PART NO. NO. PIECES	DESCRIPTION DESCRIPTION	Q'TY QTE	REMARKS REMARQUES
1	6G8-42610-50-4D	TOP COWLING ASSY CAPOT (ENS.)	1	
2	6G8-42615-00	.SEAL	1	
3	6G8-42651-00	.JOINT	1	
4	6G8-42652-00	.HOOK	1	
5	90266-04M04	.CROCHET	4	
6	6G8-42613-00-4D	.RIVET	4	
7	95380-06700	.RIVET	4	
8	92990-06200	.MOLDING, AIR DUCT .MANCHON A AIR	1	
9	6G8-W0070-50	.NUT	4	
10	6G8-42678-50	.ECROU	4	
11	6G8-42628-01	.WASHER, PLAIN .RONDELLE, PLATE	4	
		.GRAPHIC SET	1	
		.JEU DIEMBLEMES	1	
		.GRAPHIC, REAR	1	
		.ADHESIF, ARRIERE	1	
		.SEAL	1	
		.JOINT	1	



FIG. 11 BOTTOM COWLING

CAPOT INFERIEUR

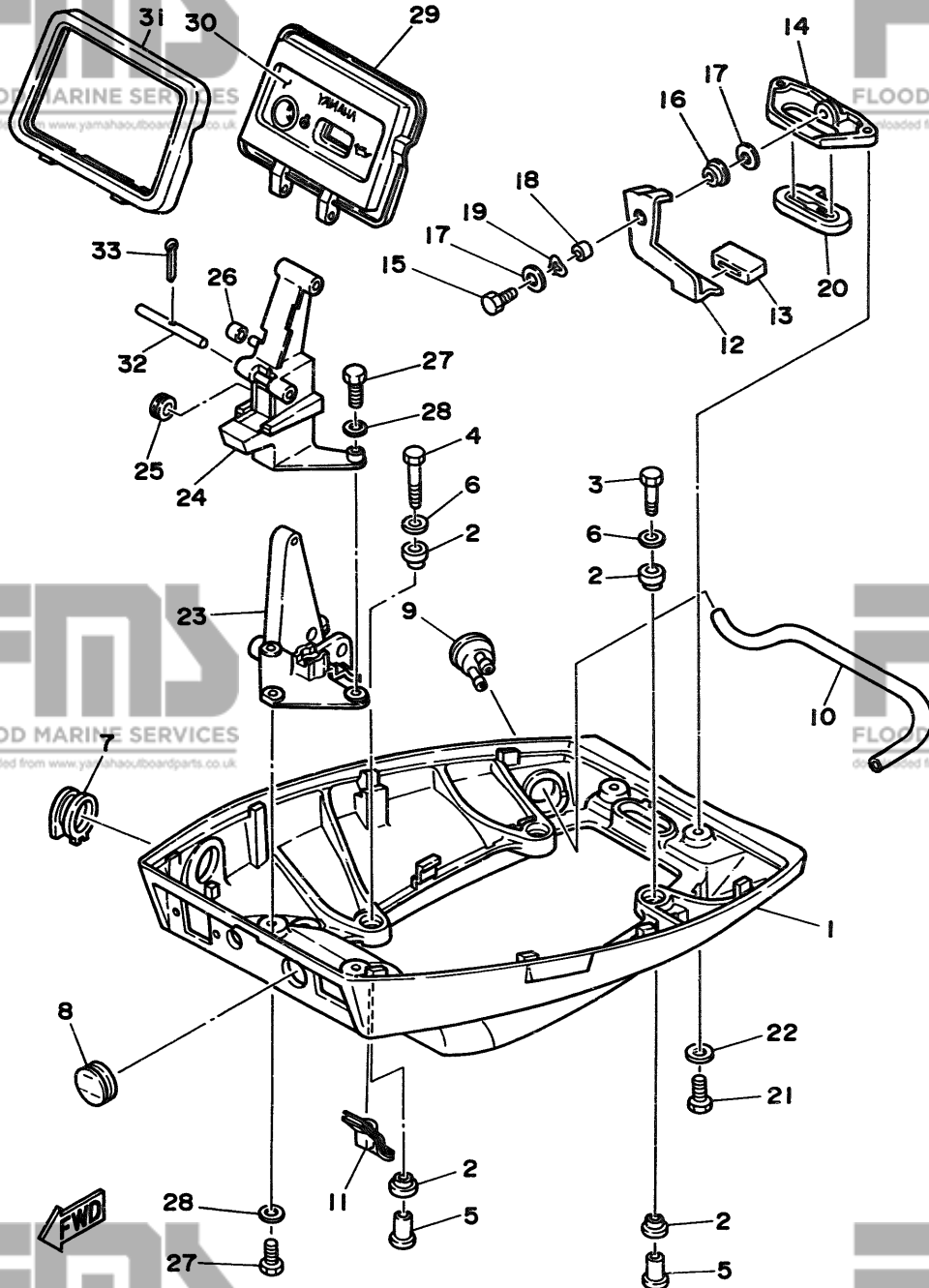


REF. NO.	PART NO. NO. PIECES	DESCRIPTION DESCRIPTION	Q'TY QTE	REMARKS REMARQUES
1	6G8-42711-01-4D	COWLING, BOTTOM CUVETTE	1	
2	90480-09M35	GROMMET RONDELLE CAOUTCHOUC	8	
3	97095-06030	BOLT BOULON	2	
4	97313-06040	BOLT BOULON	2	
5	90387-06M15	COLLAR COLLERETTE	4	
6	90201-06M31	WASHER, PLATE RONDELLE, PLATE	4	
7	6G8-42724-00	GROMMET PASSE-FIL	1	
8	6G8-42725-10	GROMMET PASSE-FIL	1	
9	6G8-44391-00	NIPPLE, HOSE RACCORD D'ESSENCE	1	
> 10	90445-09163	HOSE DURITE	1	
▶ 90445-09252	HOSE DURITE	1		
◀ 6G8-12482-00	PIPE 2 DURITE 2	1		
11	6G8-42727-00	GROMMET PASSE-FIL	1	
12	6G8-42815-00	LEVER, CLAMP LEVIER, PRESSE	1	
13	6G8-42831-00	BUSHING POULIE	1	
14	6G8-42811-00-94	STAY SUPPORT	1	
15	97095-06016	BOLT BOULON	1	
16	90386-08M49	BUSH DOUILLE	1	
17	90201-06M31	WASHER, PLATE RONDELLE, PLATE	2	
18	90387-06M72	COLLAR COLLERETTE	1	
19	90206-08M13	WASHER, WAVE RONDELLE, ONDULEE	1	
20	6G8-42748-00	GROMMET PASSE-FIL	1	
>	F9.9AM L:303597~ UL:702882~	AE S:100781~ L:409135~ UL:761715~	AEM L:469811~ UL:786864~	
▶	F9.9AM L:303507~303596 UL:702791~702881	AE S:100717~100780 L:408522~409134 UL:761615~761714	AEM L:469482~469810 UL:786508~786863	
◀	F9.9AM L:~303506 UL:~702790	AE S:~100716 L:~408521 UL:~761614	AEM L:~469481 UL:~786507	

D1

FIG. 11 BOTTOM COWLING

CAPOT INFERIEUR

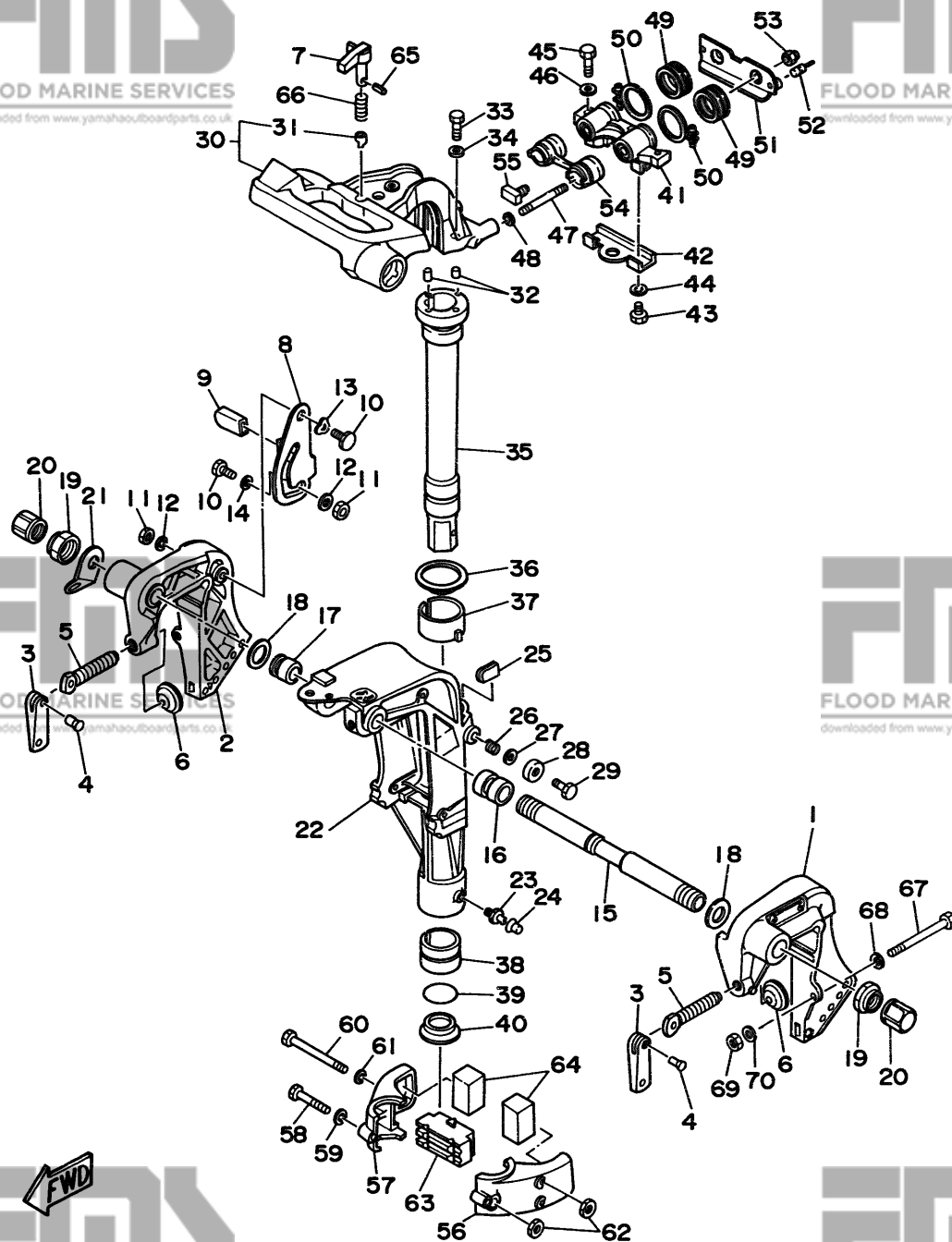


REF. NO.	PART NO. NO. PIECES	DESCRIPTION DESCRIPTION	Q'TY QTE	REMARKS REMARQUES
21	97095-06016	BOLT BOULON	2	
22	92990-06600	WASHER, PLATE RONDELLE, PLATE	2	
23	6G8-42738-00-94	PLATE, FITTING ETRIER	1	
24	6G8-42719-00-94	PANEL, FRONT LOWER PANNEAU, AVANT INFERIEUR	1	
25	90480-19031	GROMMET	1	
26	90445-05ME6	RODELLE CAOUTCHOUC	1	
27	97095-06016	HOSE DURITE	4	
28	92990-06600	BOLT BOULON	4	
29	6G8-W4261-00	WASHER, PLATE RONDELLE, PLATE	4	
30	6G8-42677-00	PANEL, FRONT UPPER PANNEAU, AVANT SUPERIEUR	1	F9.9AM
31	6G8-42629-01	GRAPHIC, FRONT ADHESIF, AVANT	1	F9.9AM
32	6G8-42755-00	SEAL JOINT	1	
33	91490-16010	HINGE, COWLING PENTURE	1	
		PIN, COTTER GOUPILE	1	

D2

FIG. 12 BRACKET 1

SUPPORT 1



REF. NO.	PART NO. NO. PIECES	DESCRIPTION DESCRIPTION	Q'TY QTE	REMARKS REMARQUES
1	6G8-43111-03-4D	BRACKET, CLAMP PRESSE	1	
2	6G8-43112-04-4D	BRACKET, CLAMP PRESSE	1	
3	616-43118-00-4D	HANDLE, TRANSOM CLAMP POIGNEE DE VIS DE PRESSE	2	
4	90243-04M00	PIN GOUPILLE	2	
5	6E7-43116-00	SCREW, TRANSOM CLAMP VIS DE PRESSE	2	
6	648-43114-01	PAD, TRANSOM CLAMP RONDELLE D'APPUI	2	
7	6G8-42561-00	KNOB, STEERING LOCK BOUTON	1	
8	6G8-43181-00	LEVER, TILT STOP LEVIER, VERROUILLAGE RELEVAGE	1	
9	682-43318-01	COVER CAPUCHON	1	
10	90109-06M25	BOLT BOULON	2	
11	95680-06100	NUT, U NUT, U	2	
12	92990-06600	WASHER, PLATE RONDELLE, PLATE	2	
13	90206-10M15	WASHER, WAVE RONDELLE, ONDULEE	1	
14	682-43339-01	WASHER RONDELLE	1	
15	6G8-43131-00	BOLT, CLAMP BRACKET BOULON, PRESSE	1	
16	90386-22M92	BUSH DOUILLE	1	
17	90386-22M93	BUSH DOUILLE	1	
18	90201-22428	WASHER, PLATE RONDELLE, PLATE	2	
19	90185-22M11	NUT, SELF-LOCKING ECROU, AUTO-BLOCANT	2	
20	6G5-43145-00	CAP, CLAMP BRACKET CAPUCHON, PRESSE	2	
21	6J8-43113-01	PLATE, CLAMP BRACKET PLAQUETTE, PRESSE	1	
22	6G8-43311-14-4D	BRACKET, SWIVEL SUPPORT, PIVOT	1	UR LONG/ULTRA LONG
	6G9-43311-03-4D	BRACKET, SWIVEL SUPPORT, PIVOT	1	UR SHORT
23	93700-06M03	NIPPLE, GREASE PION	1	
24	663-45119-00	CAP, GREASE NIPPLE CAPUCHON, GRAISSEUR	1	
25	6G8-42528-00	PLATE, FRICTION PLAQUE, FRICTION	1	
26	90501-18M00	SPRING, COMPRESSION RESSORT, COMPRESSION	1	
27	90201-06M31	WASHER, PLATE RONDELLE, PLATE	1	

D3

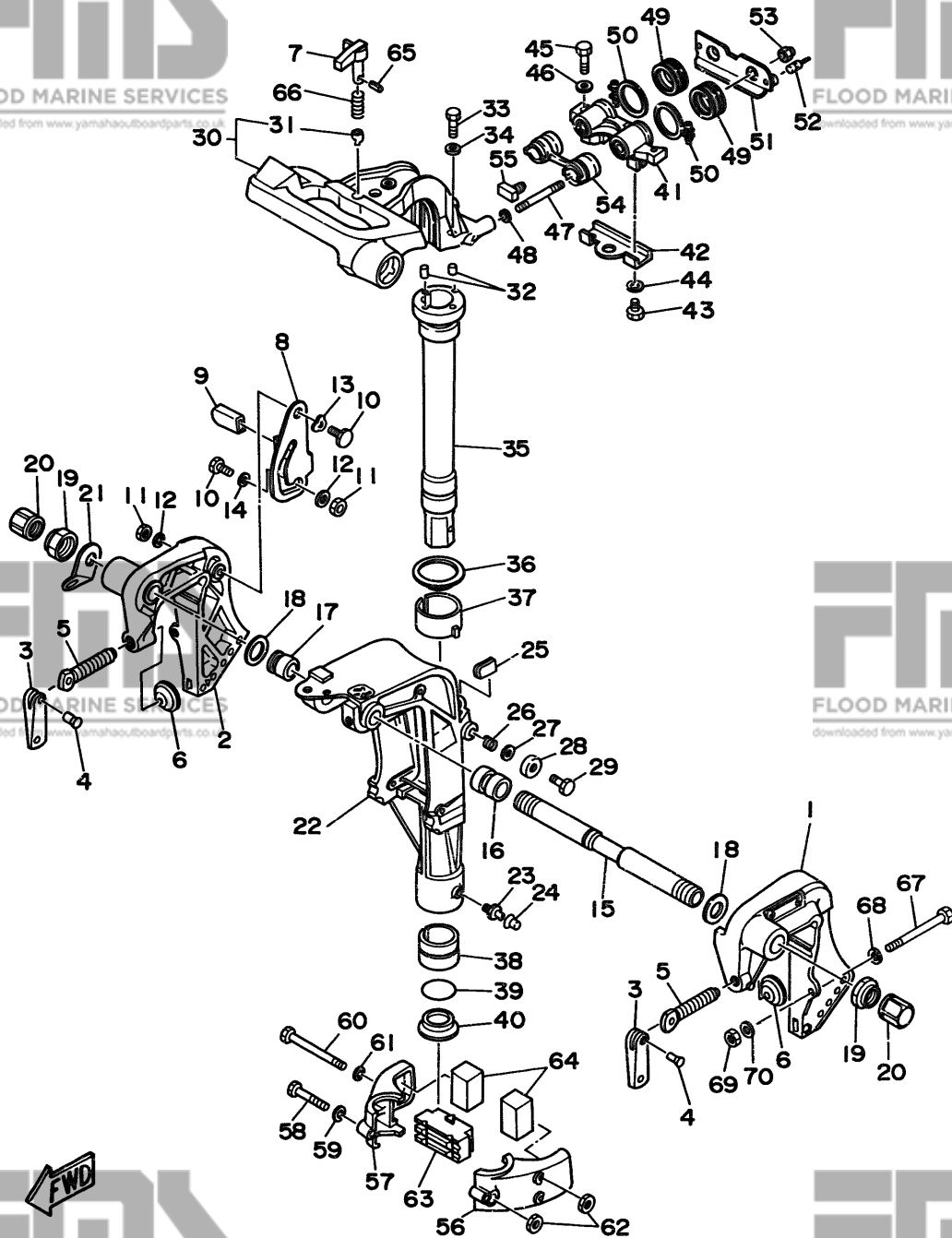


FIG. 12 BRACKET 1

SUPPORT 1

REF. NO.	PART NO. NO. PIECES	DESCRIPTION DESCRIPTION	Q'TY QTE	REMARKS REMARQUES
28	6G8-43373-00	SEAL, DAMPER JOINT	1	
29	97095-06025	BOLT BOULON	1	
30	6G8-42511-02-4D	BRACKET, STEERING CADRE, DIRECTION	1	
31	6G8-42534-00	.PIN, DOWEL .GOUPILE	1	
32	93605-15065	PIN, DOWEL AXE	2	
33	97095-06030	BOLT BOULON	2	
34	92990-06600	WASHER, PLATE RONDELLE, PLATE	2	
35	6G8-42521-10-94	SHAFT, STEERING PIVOT AXE, PIVOT DE DIRECTION	1	UR LONG/ULTRA LONG
	6G9-42521-00-94	SHAFT, STEERING PIVOT AXE, PIVOT DE DIRECTION	1	UR SHORT
36	90209-45M09	WASHER RONDELLE	1	
37	6G8-42537-00	BUSHING, PIVOT SHAFT COUSSINET	1	
38	90386-37M47	BUSH DOUILLE	1	
39	93210-37M67	O-RING JOINT TORIQUE	1	
40	90386-37M48	BUSH DOUILLE	1	
41	6G8-44517-00-94	MOUNT RUBBER SILENT-BLOC	1	
42	6G8-44526-00	PLATE PLAQUE	1	
43	97095-06012	BOLT BOULON	2	
44	92990-06600	WASHER, PLATE RONDELLE, PLATE	2	
45	97395-08030	BOLT BOULON	2	
46	92990-08600	WASHER, PLATE RONDELLE, PLATE	2	
47	90116-08M28	BOLT, STUD GOUJON	2	
48	90201-08M12	WASHER, PLATE RONDELLE, PLATE	2	
49	6G8-44522-00	SEAL JOINT	2	
50	90460-38M06	CLAMP, HOSE BRIDE, DE DURITE	2	
51	6G8-44518-00	BRACKET COMP. SUPPORT COMPLET	1	
52	6G8-44533-00	DAMPER, UPPER MOUNT RUBBER COUVERCLE, SUSPENSION INFRIEU	2	
53	95780-08300	NUT, FLANGE ECROU	2	
54	6G8-44521-00	SEAL JOINT	1	

D4

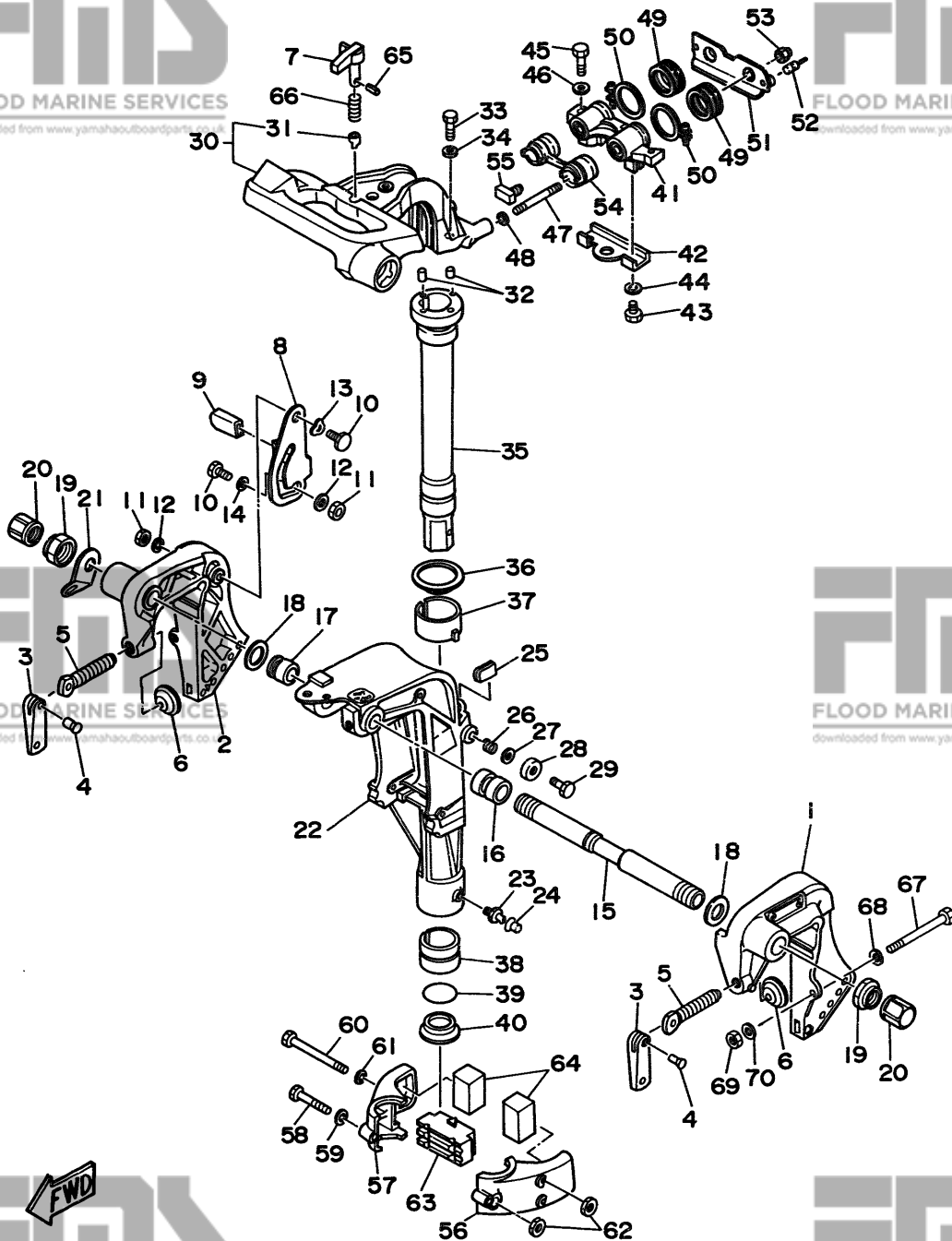


FIG. 12 BRACKET 1

SUPPORT 1

REF. NO.	PART NO. NO. PIECES	DESCRIPTION DESCRIPTION	Q'TY QTE	REMARKS REMARQUES
55	6G8-44532-00	STOPPER, UPPER MOUNT PLAQUETTE	1	
56	6G8-44551-01-4D	HOUSING, LOWER MOUNT RUBBER BOITIER, SILENT-BLOC INFERIEUR	1	
57	6G8-44552-02-4D	HOUSING, LOWER MOUNT RUBBER BOITIER, SILENT-BLOC INFERIEUR	1	
58	97095-06045	BOLT BOULON	1	
59	92990-06600	WASHER, PLATE RONDELLE, PLATE	1	
60	97095-06095	BOLT BOULON	2	
61	92990-06600	WASHER, PLATE RONDELLE, PLATE	2	
62	95380-06700	NUT ECROU	3	
63	6G8-44557-00	MOUNT DAMPER, LOWER FRONT SILENT-BLOC, INFERIEUR AVANT	1	
64	682-44555-0G	MOUNT DAMPER, LOWER SIDE SILENT-BLOC, INFERIEUR LATERAL	2	
65	91690-30012	PIN, SPRING AGRAFFE	1	
66	90501-10071	SPRING, COMPRESSION RESSORT, COMPRESSION	1	
67	90101-08M88	BOLT BOULON	2	
68	92990-08600	WASHER, PLATE RONDELLE, PLATE	2	
69	95780-08300	NUT, FLANGE ECROU	2	
70	90201-08MA4	WASHER, PLATE RONDELLE, PLATE	2	

FWD

D5

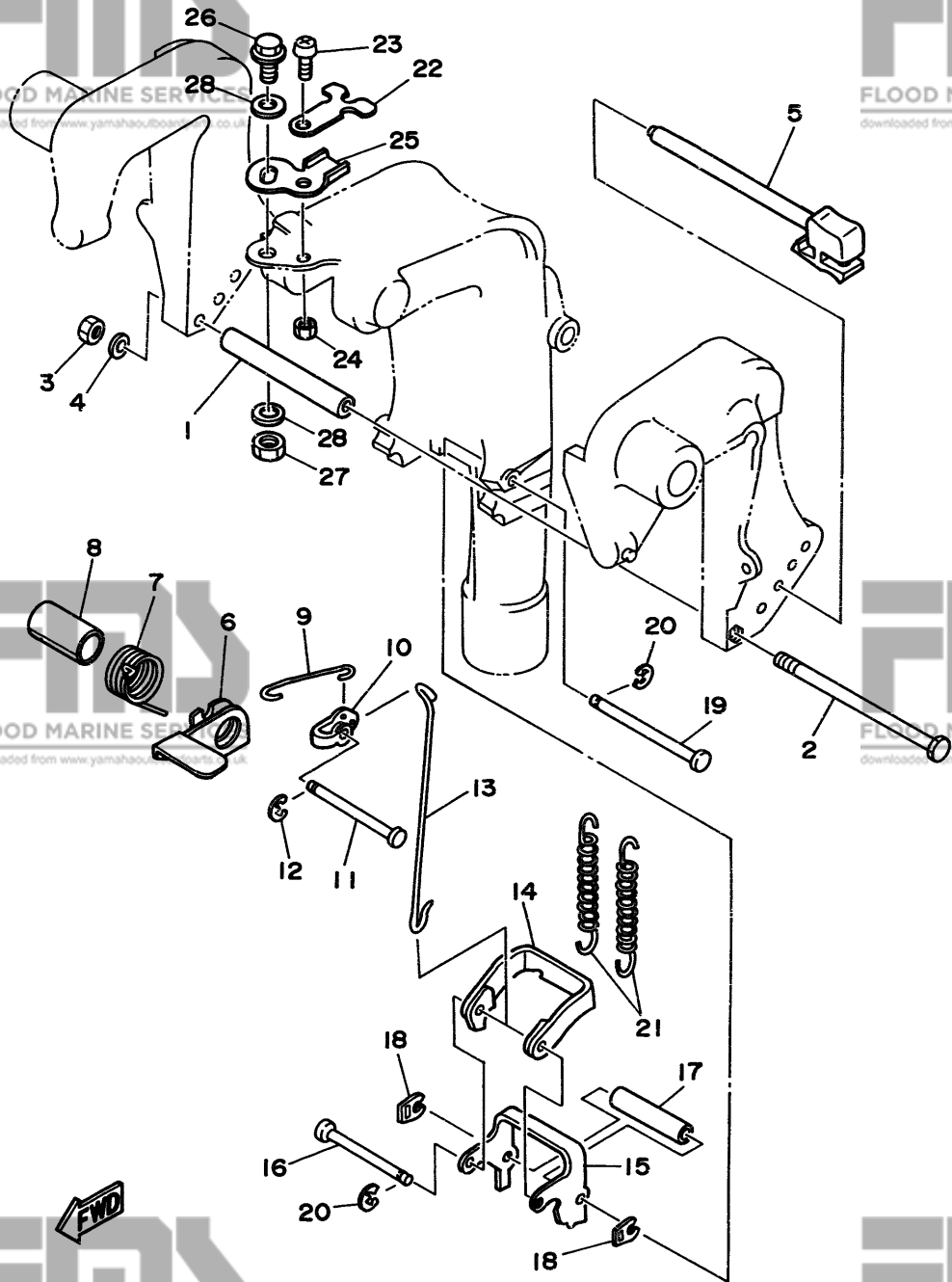


FIG. 13 BRACKET 2

SUPPORT 2

REF. NO.	PART NO. NO. PIECES	DESCRIPTION DESCRIPTION	Q'TY QTE	REMARKS REMARQUES
1	90387-06M09	COLLAR COLLERETTE	1	
2	97095-06135	BOLT BOULON	1	
3	95380-06700	NUT ECROU	1	
4	92990-06600	WASHER, PLATE RONDELLE, PLATE	1	
5	6G8-43160-01	TILT ROD ASSY BROCHE D'INCLINAISON (ENS.)	1	
6	6G8-43631-02	LEVER, TILT LEVIER, INCLINAISON	1	
7	90508-18M33	SPRING, TORSION RESSORT, TORSION	1	
8	90386-20M94	BUSH DOUILLE	1	
9	6G8-43616-00	ROD, TILT LOCK TIGE	1	
10	682-43641-00	LEVER, TILT LEVIER, INCLINAISON	1	
11	90249-06M20	PIN GOUPILLE	1	
12	99080-05600	CIRCLIP CIRCLIP	1	
13	6G8-43617-00	ROD, TILT LOCK TIGE	1	
14	682-43614-00	PLATE, TILT LOCK ETRIER, VERROUILLAGE MARCHE AR	1	
15	682-43615-01	PLATE, TILT LOCK ETRIER, VERROUILLAGE MARCHE AR	1	
16	682-43611-01	SHAFT, TILT LOCK AXE, VERROUILLAGE MARCHE AR	1	
17	90387-06M20	COLLAR COLLERETTE	1	
18	682-43673-00	WASHER 1 RONDELLE	2	
19	682-43659-00	SHAFT, REVERSE LOCK AXE, VERROUILLAGE MARCHE AR	1	
20	99080-05600	CIRCLIP CIRCLIP	2	
21	90506-29M16	SPRING, TENSION RESSORT, TENSION	2	
22	6G8-43319-02-94	PLATE PLAQUE	1	
23	98580-06016	SCREW, PAN HEAD VIS	1	
24	95380-06600	NUT ECROU	1	
25	6G8-42512-01-94	PLATE, CONTROL PLAQUE	1	
26	90105-10M30	BOLT, WASHER BASED BOULON, AVEC RONDELLE	1	
27	95380-10700	NUT ECROU	1	
28	90201-10M76	WASHER, PLATE RONDELLE, PLATE	2	

D6

FIG. 14 STEERING (F9.9AM/F9.9AEM)

DIRECTION (F9.9AM/F9.9AEM)

REF. NO.	PART NO. NO. PIECES	DESCRIPTION DESCRIPTION	Q'TY QTE	REMARKS REMARQUES
1	6G8-42111-01-4D	HANDLE, STEERING POIGNEE	1	
2	6G8-42112-02-4D	HANDLE, STEERING POIGNEE	1	
3	98780-05016	SCREW, FLAT HEAD VIS A TETE FRAISEE	2	
4	6G8-44191-00	INDICATOR, SHIFT ETIQUETTE, EMBRAYAGE	1	
5	93700-06M03	NIPPLE, GREASE PION	1	
6	663-45119-00	CAP, GREASE NIPPLE CAPUCHON, GRAISSEUR	1	
7	6G8-42147-01	SPRING RESSORT	1	
8	97395-05016	BOLT BOULON	1	
9	92990-05600	WASHER, PLATE RONDELLE, PLATE	1	
10	6H4-42725-00	GROMMET PASSE-FIL	1	
11	97095-06025	BOLT BOULON	2	
12	92990-06600	WASHER, PLATE RONDELLE, PLATE	2	
13	97095-06040	BOLT BOULON	2	
14	92990-06600	WASHER, PLATE RONDELLE, PLATE	2	
15	6G8-42126-01-94	FRICTION, STEERING HANDLE GRIP CUVETTE, POIGNEE DE DIRECTION	1	
16	90501-23M42	SPRING, COMPRESSION RESSORT, COMPRESSION	1	
17	97580-06030	SCREW, PAN HEAD VIS, TETE TRONCONIQUE	1	
18	90201-06049	WASHER, PLATE RONDELLE, PLATE	1	
19	90202-06007	WASHER, PLATE RONDELLE, PLATE	1	
20	95380-06700	NUT ECROU	1	
21	6G8-42119-00	GRIP, STEERING HANDLE POIGNEE, BARRE FRANCHE	1	
22	6G8-42137-01	INDICATOR, THROTTLE INDICATEUR, ACCELERATION	1	
23	90269-02M09	RIVET RIVET	1	
24	6G8-42177-00	RUBBER, HANDLE CAOUTCHOUC, POIGNEE	1	
25	6G8-42113-01-4D	HANDLE, STEERING 3 POIGNEE 3	1	
26	90386-33M56	BUSH DOUILLE	1	
27	90206-20M14	WASHER, WAVE RONDELLE, ONDULEE	1	
28	90201-20M00	WASHER, PLATE RONDELLE, PLATE	2	

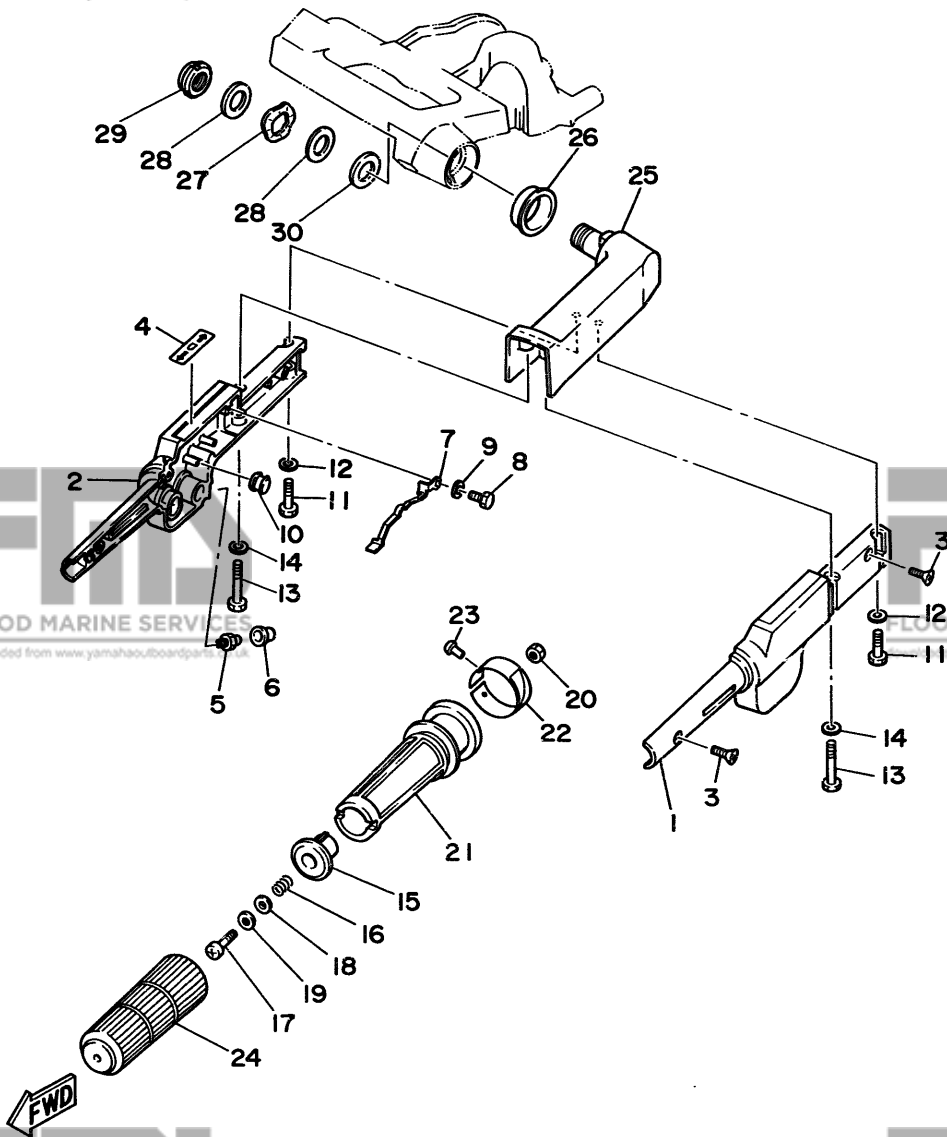


FIG. 14 STEERING (F9.9AM/F9.9AEM) DIRECTION (F9.9AM/F9.9AEM)

REF. NO.	PART NO. NO. PIECES	DESCRIPTION DESCRIPTION	Q'TY QTE	REMARKS REMARQUES
29	90185-20M03	NUT, SELF-LOCKING	1	
		ECROU, AUTO-BLOCANT		
30	90202-20M33	WASHER, PLATE	1	
		RONDELLE, PLATE		

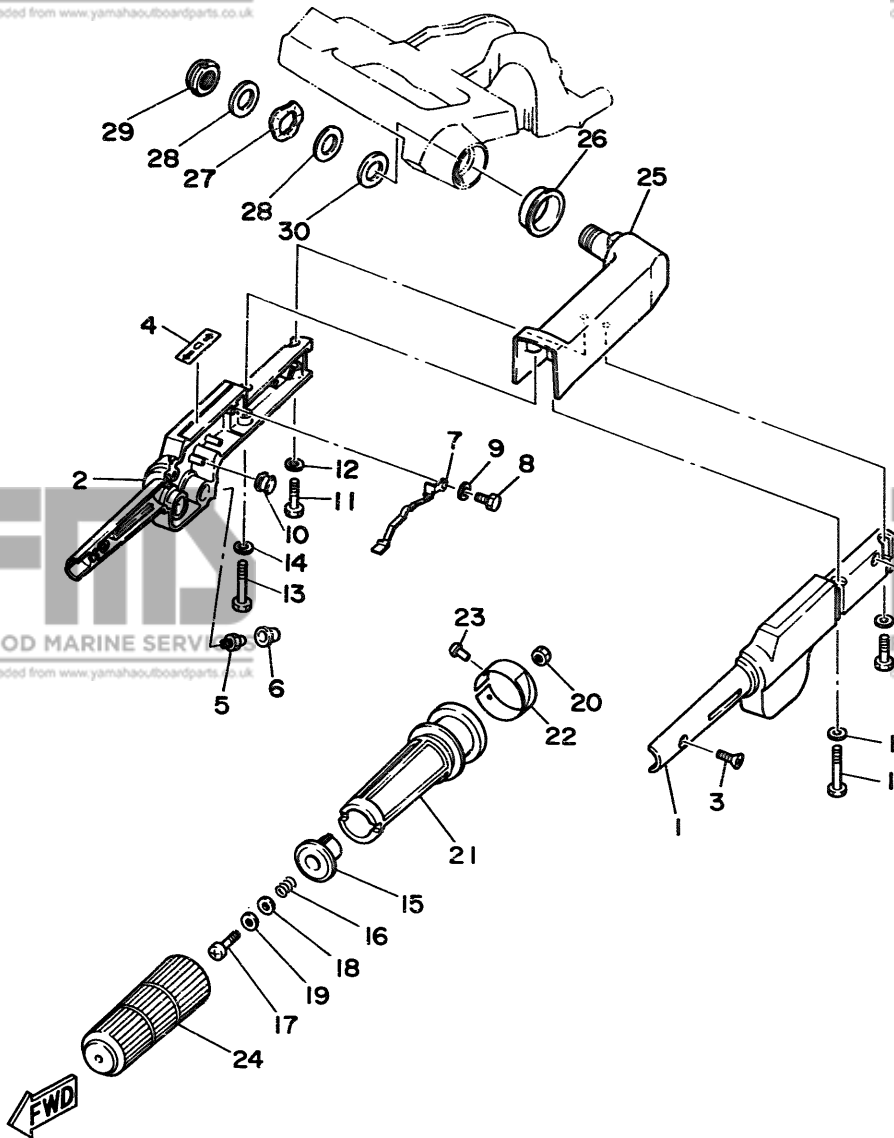
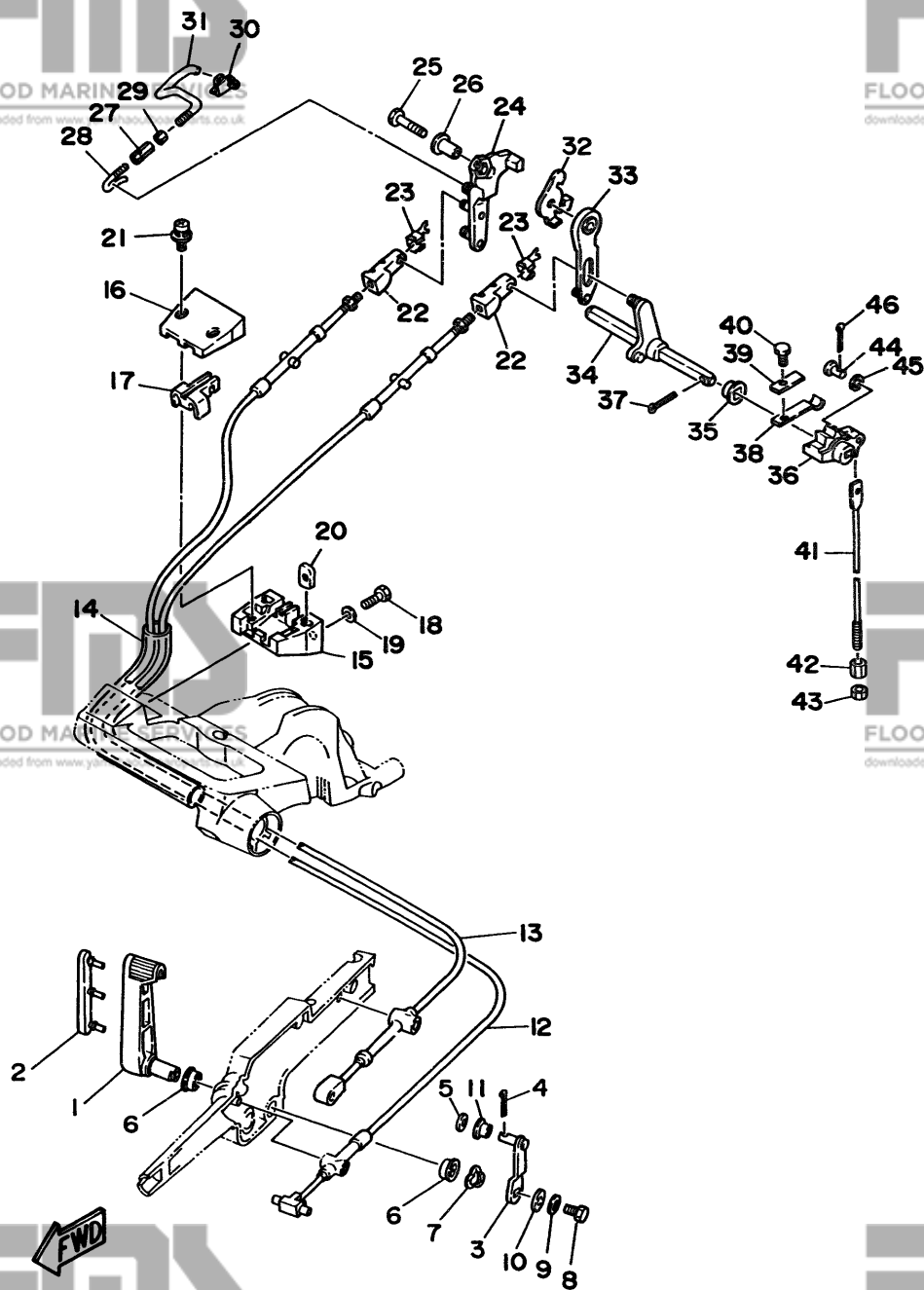


FIG. 15 CONTROL

COMMANDE



REF. NO.	PART NO. NO. PIECES	DESCRIPTION DESCRIPTION	Q'TY QTE	REMARKS REMARQUES
1	6G8-44121-00-98	LEVER, SHIFT ROD LEVIER, TIGE D'INVERSION	1	
2	6G8-42129-00	BUSHING, RUBBER DOUILLE, CAOUTCHOUC	1	
3	6G8-44123-00	ARM, SHIFT ROD BRAS, TIGE D'INVERSION	1	
4	91490-16010	PIN, COTTER GOUPILLE	1	
5	92990-05200	WASHER, PLAIN RONDELLE, PLATE	1	
6	90386-12069	BUSH DOUILLE	2	
7	90206-12052	WASHER, WAVE RONDELLE, ONDULEE	1	
8	97095-06016	BOLT BOULON	1	
9	92990-06600	WASHER, PLATE RONDELLE, PLATE	1	
10	90201-06M94	WASHER, PLATE RONDELLE, PLATE	1	
11	90386-05M54	BUSH DOUILLE	1	
12	6G8-48311-02	CABLE	1	UR
	6G8-48311-11	CABLE	1	UR FOR HANDY REMOTE CONTROL
13	6G8-48321-01	CABLE	1	UR
	6G8-48321-10	CABLE	1	UR FOR HANDY REMOTE CONTROL
14	90445-24M00	HOSE DURITE	1	UR
	90445-20ME5	HOSE DURITE	1	UR FOR HANDY REMOTE CONTROL
15	6G8-41661-00-98	BRACKET SUPPORT	1	
16	6G8-41662-00-98	BRACKET SUPPORT	1	
17	6G8-41663-00	BRACKET 3 SUPPORT 3	1	
18	97095-06016	BOLT BOULON	2	
19	92990-06600	WASHER, PLATE RONDELLE, PLATE	2	
20	6G8-41654-00	NUT ECROU	2	
21	90159-05M06	SCREW, WITH WASHER VIS, AVEC RONDELLE	2	
22	6G8-26363-00	END, CABLE EMBOUT DE CABLE	2	
23	6G8-26364-00	END, CABLE 2 EMBOUT, DE CABLE	2	
24	6G8-41212-00	ARM, ACCEL. BRAS	1	
25	97095-06030	BOLT BOULON	1	

E2

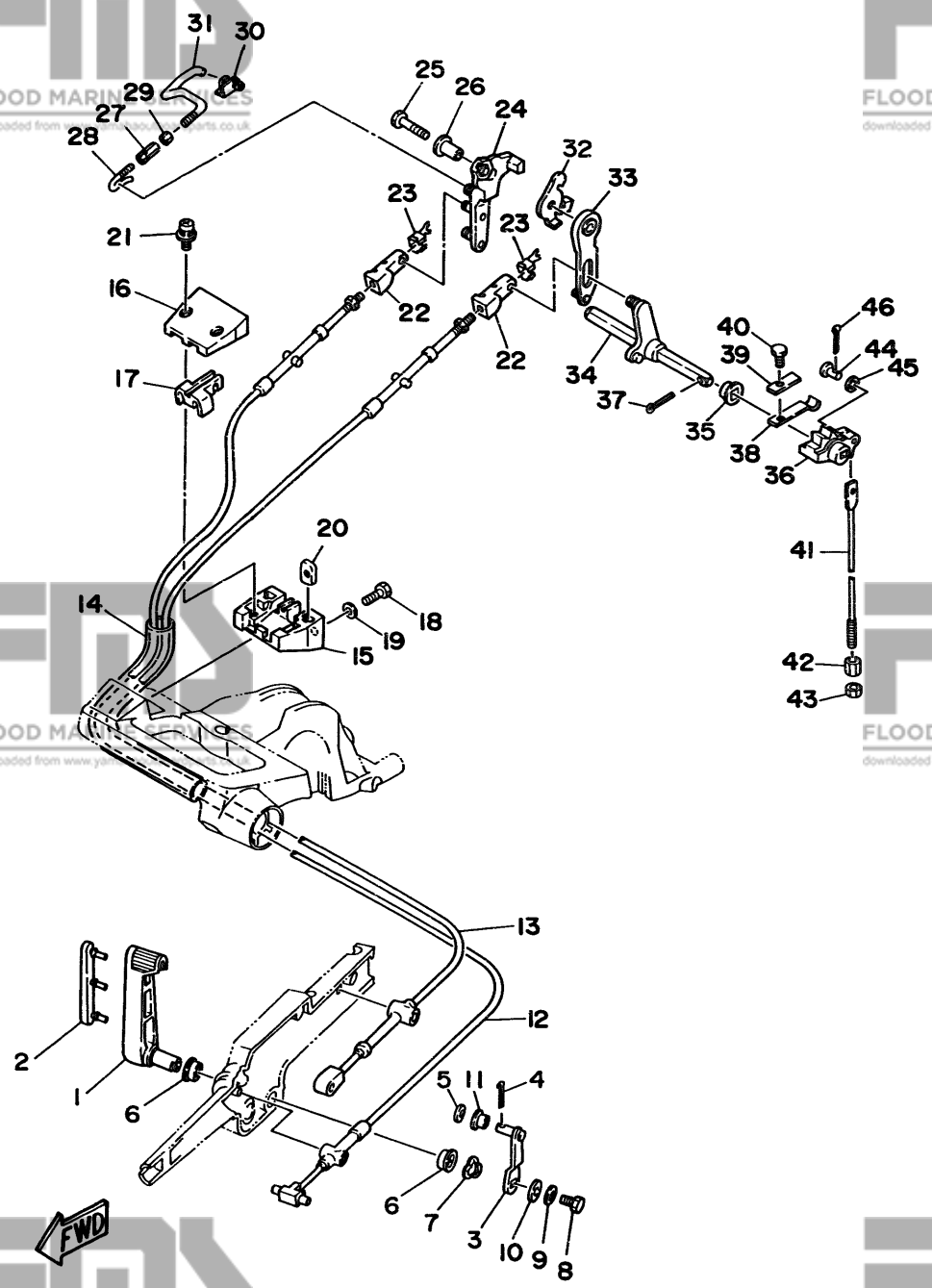


FIG. 15 CONTROL

COMMANDE

REF. NO.	PART NO. NO. PIECES	DESCRIPTION DESCRIPTION	Q'TY QTE	REMARKS REMARQUES
26	90387-06M58	COLLAR COLLERETTE	1	
27	668-41238-01	JOINT, LINK RACCORD	1	
28	668-41241-01	ROD, LINK BIELLETTE	1	
29	95303-04600	NUT ECROU	1	
30	668-41237-01	JOINT, LINK RACCORD	1	
31	668-41242-01	ROD 2 TIGE 2	1	
32	668-14493-00	STAY 1 SUPPORT 1	1	
33	668-44111-00	HANDLE, GEAR SHIFT POIGNEE, LEVIER D'EMBRAYAGE	1	
34	668-44159-00	HANDLE, GEAR SHIFT POIGNEE, LEVIER D'EMBRAYAGE	1	
35	682-44132-00	BUSHING COUSSINET	1	
36	668-44141-00	LINK, SHIFT ROD BIELLETTE	1	
37	91490-25020	PIN, COTTER GOUILLE	1	
38	682-44116-00	SPRING RESSORT	1	
39	682-44117-00	BRACKET SUPPORT	1	
40	97013-06012	BOLT BOULON	1	
41	668-44143-10	ROD, SHIFT TIGE D'EMBRAYAGE	1	UR LONG/ULTRA LONG
	669-44143-00	ROD, SHIFT TIGE D'EMBRAYAGE	1	UR SHORT
42	90170-06015	NUT ECROU	1	
43	95380-06700	NUT ECROU	1	
44	91790-05020	PIN, CLEVIS AXE D'ARTICULATION	1	
45	92990-05600	WASHER, PLATE RONDELLE, PLATE	1	
46	91490-16010	PIN, COTTER GOUILLE	1	

E3

FIG. 16 UPPER CASING

FOURREAU

REF. NO.	PART NO. NO. PIECES	DESCRIPTION DESCRIPTION	Q'TY QTE	REMARKS REMARQUES
1	6G8-41137-03-94	GUIDE, EXHAUST COLLECTEUR D'ECHAPPEMENT	1	
2	6E5-24377-00	PIPE, JOINT 3 DURITE RACCORDEMENT	1	
3	93210-08M60	O-RING JOINT TORIQUE	1	
4	6G8-44367-00	DAMPER, WATER SEAL JOINT TUBE D'EAU	1	
5	93101-13M27	OIL SEAL JOINT SPY	1	
6	93606-12019	PIN, DOWEL GOUPILLE	2	
7	97095-06020	BOLT BOULON	2	
8	92990-06600	WASHER, PLATE RONDELLE, PLATE	2	
9	6G8-45135-00	PIPE TUYAU	1	
10	6G8-42716-00	RUBBER, SEAL 1 JOINT EN CAOUTCHOUC 1	1	
11	6G8-41131-01	MANIFOLD, EXT. 1 PIPE D'ECHAPPEMENT	1	
12	6G8-41138-00	SEAL, EXT. 1 JOINT DE GROUPE 1	1	
13	90105-06M33	BOLT, WASHER BASED BOULON, AVEC RONDELLE	4	
14	6G8-41133-A0	GASKET, EXHAUST MANIFOLD 1 JOINT, PIPE D'ECHAPPEMENT	1	
15	6G8-45111-12-4D	CASING, UPPER FOURREAU	1	UR LONG/ULTRA LONG
	6G9-45111-02-4D	CASING, UPPER FOURREAU	1	UR SHORT
16	6G8-82149-00	WIRE, LEAD 3 FIL 3	1	
17	97095-06012	BOLT BOULON	1	
18	92990-06600	WASHER, PLATE RONDELLE, PLATE	1	
19	6G8-45151-00	COVER, UPPER CASING CAPUCHON, FOURREAU	1	
20	6G8-45113-A0	GASKET, UPPER CASING JOINT, TUBE D'ARBRE	1	
21	93606-12019	PIN, DOWEL GOUPILLE	2	
22	97395-08040	BOLT BOULON	6	
23	92990-08600	WASHER, PLATE RONDELLE, PLATE	6	
24	6G8-42741-00-4D	APRON CAPOT LATERAL	1	
25	6G8-42791-00	MARK 1 ETIQUETTE 1	1	
26	6G8-42771-00-4D	APRON CAPOT LATERAL	1	
27	6G8-42792-00	MARK 1 ETIQUETTE	1	

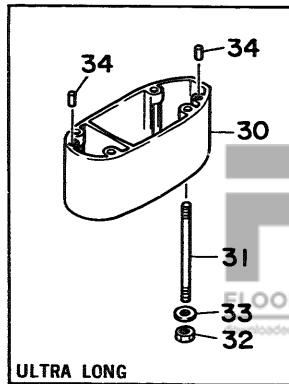
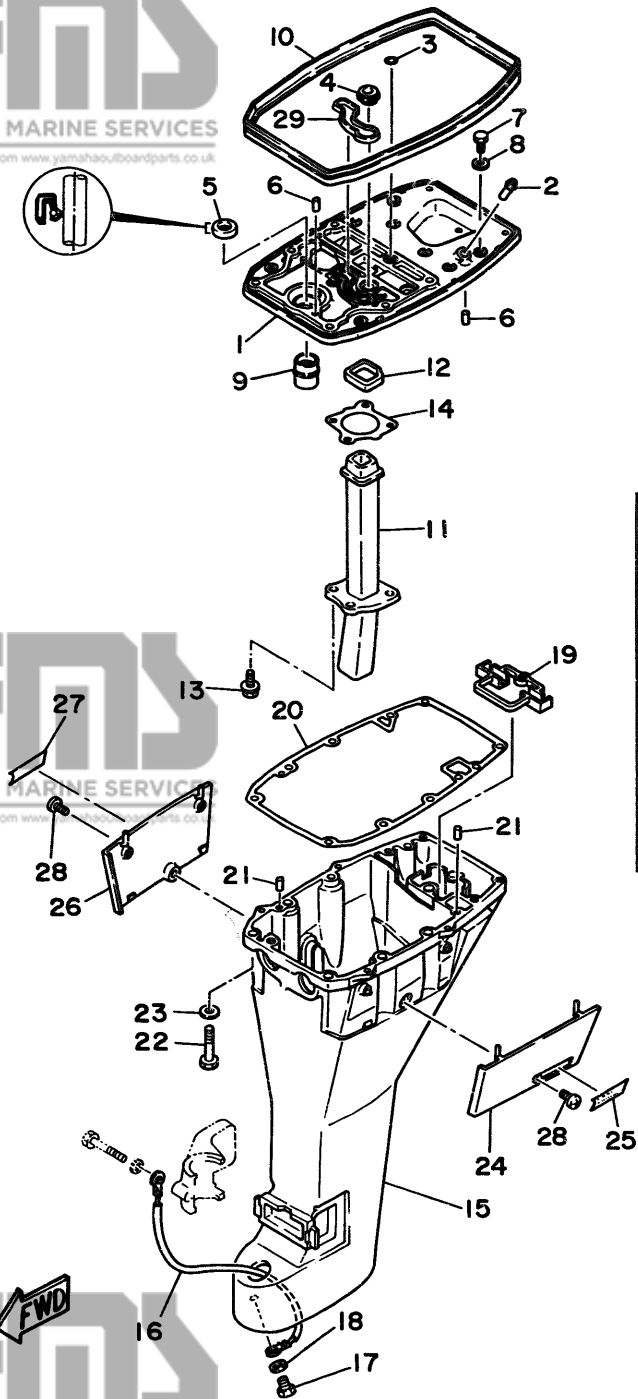


FIG. 16 UPPER CASING

FOURREAU

REF. NO.	PART NO. NO. PIECES	DESCRIPTION DESCRIPTION	Q'TY QTE	REMARKS REMARQUES
28	90157-06M04	SCREW, PAN HEAD VIS, TETE TRONCONIQUE	2	
29	6G8-11355-00	SEAL, CYLINDER 1 JOINT, SPY CYLINDRE	1	
30	6G8-45211-20-4D	EXTENSION EXTENSION	1	ULTRA LONG
31	90116-08M19	BOLT, STUD GOUJON	4	ULTRA LONG
32	95380-08600	NUT ECROU	4	ULTRA LONG
33	92990-08600	WASHER, PLATE RONDELLE, PLATE	4	ULTRA LONG
34	93606-12019	PIN, DOWEL GOUPILE	2	ULTRA LONG

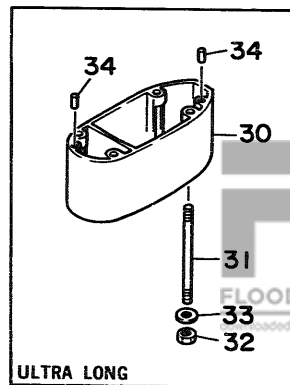
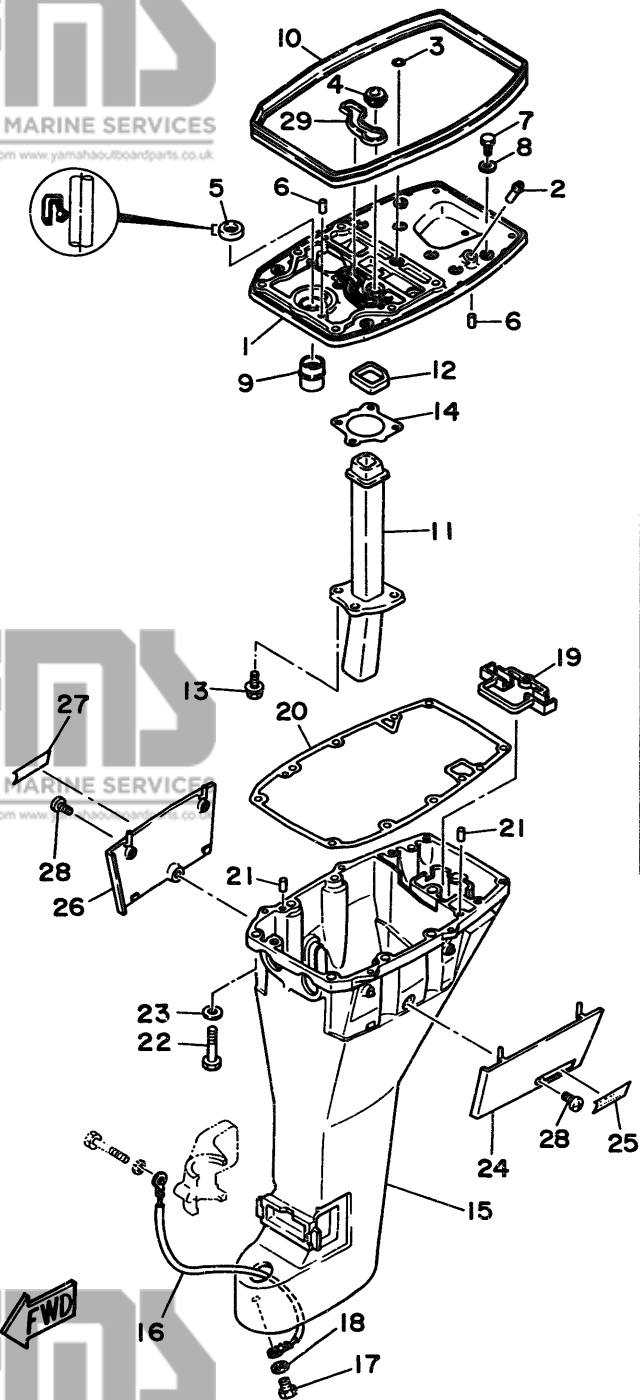
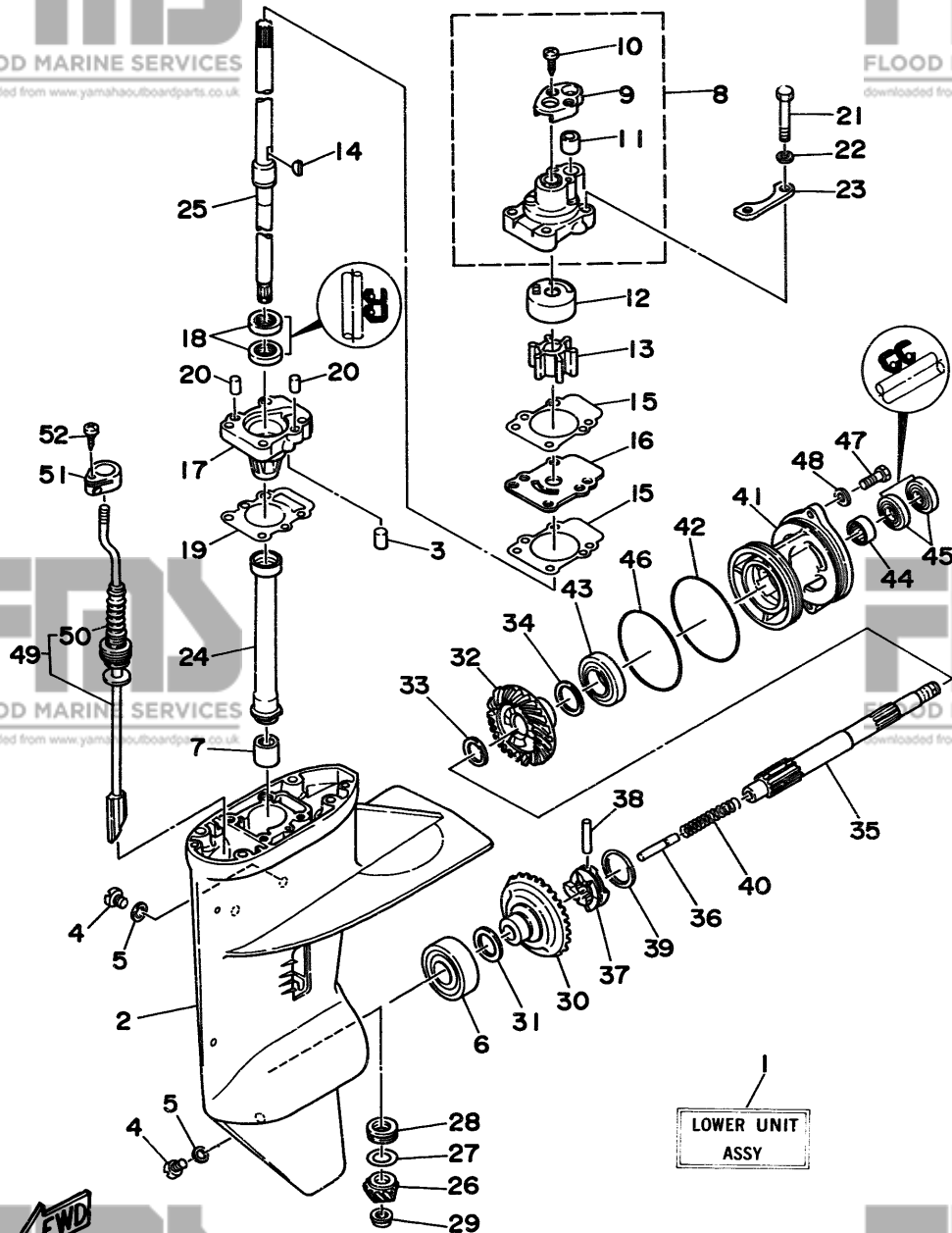


FIG. 17 LOWER CASING. DRIVE 1

BOITIER D'HELICE, TRANSMISSION 1

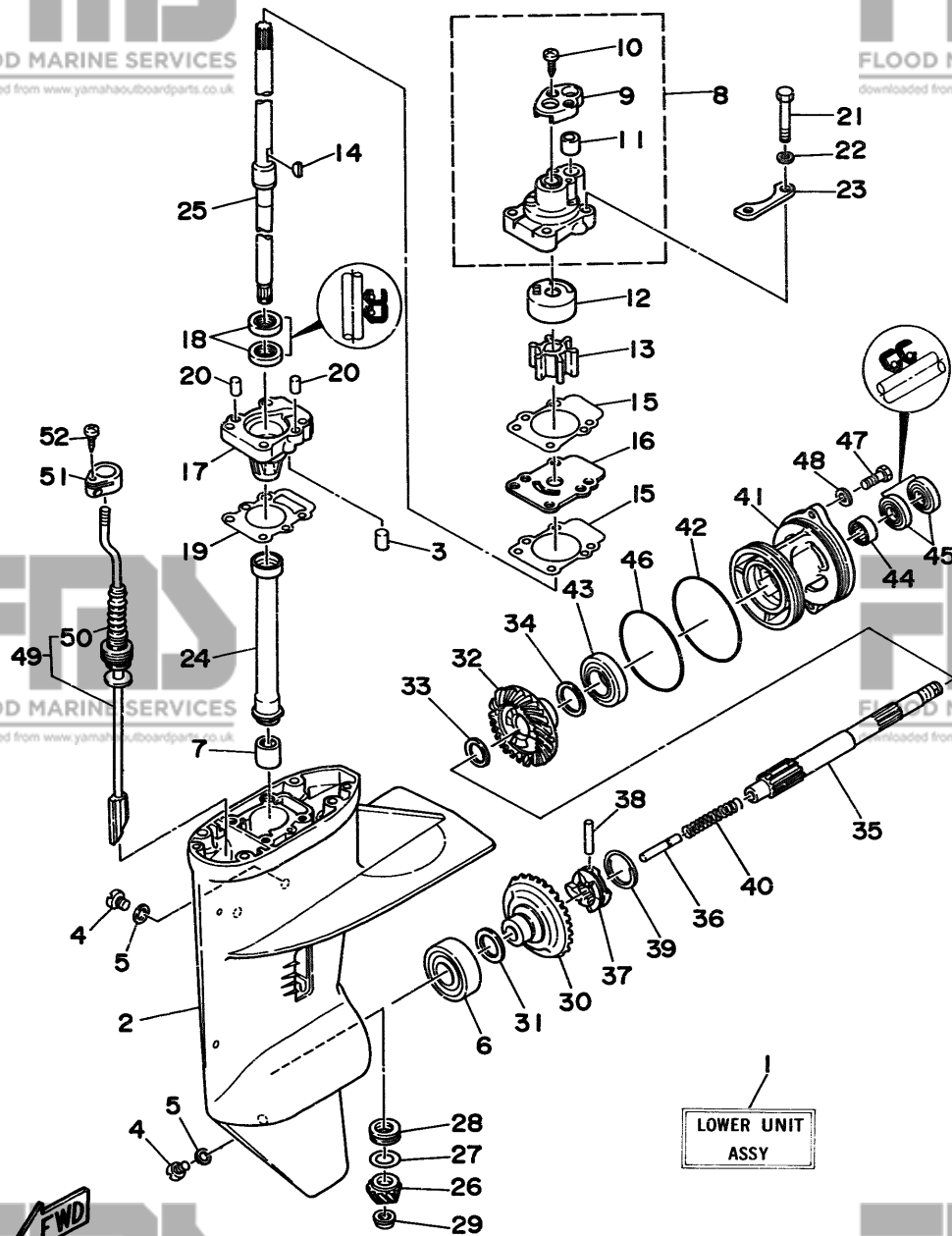


REF. NO.	PART NO. NO. PIECES	DESCRIPTION DESCRIPTION	Q'TY QTE	REMARKS REMARQUES
1	6G8-45300-16-4D	LOWER UNIT ASSY UNITE INFERIEURE (ENS.) (REF.NO. 2 ~ 52)	1	UR LONG
	6G8-45300-26-4D	LOWER UNIT ASSY UNITE INFERIEURE (ENS.) (REF.NO. 2 ~ 52)	1	UR ULTRA LONG
	6G8-45300-06-4D	LOWER UNIT ASSY UNITE INFERIEURE (ENS.) (REF.NO. 2 ~ 52)	1	UR SHORT
2	6G8-45311-04-4D	CASING, LOWER BOITIER D'HELICE	1	
3	93604-08062	PIN, DOWEL CLAVETTE	1	
4	90340-08M04	PLUG, STRAIGHT SCREW PLOT, FILETE DROIT	3	
5	90430-08020	GASKET JOINT	3	
6	93332-00005	BEARING ROULEMENT	1	
7	93315-213V4	BEARING, CYLINDRICAL ROULEMENT	1	
8	682-44300-01	HOUSING WATER PUMP ASSY CORPS POMPE A EAU (ENS.)	1	
9	682-44312-00	.COVER, WATER PUMP HOUSING .COUVERCLE	1	
10	97780-40112	.SCREW, TAPPING .VIS, TETE BOMBEE	2	
11	682-44365-00	.DAMPER, WATER SEAL .JOINT, TUBE D'EAU	1	
12	682-44322-00	INSERT, CARTRIDGE CUVETTE	1	
13	682-44352-01	IMPELLER TURBINE	1	
14	90280-03024	KEY, WOODRUFF CLAVETTE, DEMI-LUNE	1	
15	682-44315-A0	GASKET, WATER PUMP JOINT, POMPE A EAU	2	
16	682-44323-00	OUTER PLATE, CARTRIDGE PLAQUE EXTERIEURE	1	
17	6G8-45331-00-5B	HOUSING, BEARING FLASQUE, ROULEMENT	1	
18	93101-20048	OIL SEAL JOINT SPY	2	
19	6G8-45315-A0	PACKING, LOWER CASING JOINT, BOITIER D'HELICE	1	
20	93606-12019	PIN, DOWEL GOUPILLE	2	
21	97095-06045	BOLT BOULON	4	
22	92990-06600	WASHER, PLATE RONDELLE, PLATE	4	
23	682-44328-00	PLATE PLAQUETTE	2	

E6

FIG. 17 LOWER CASING. DRIVE 1

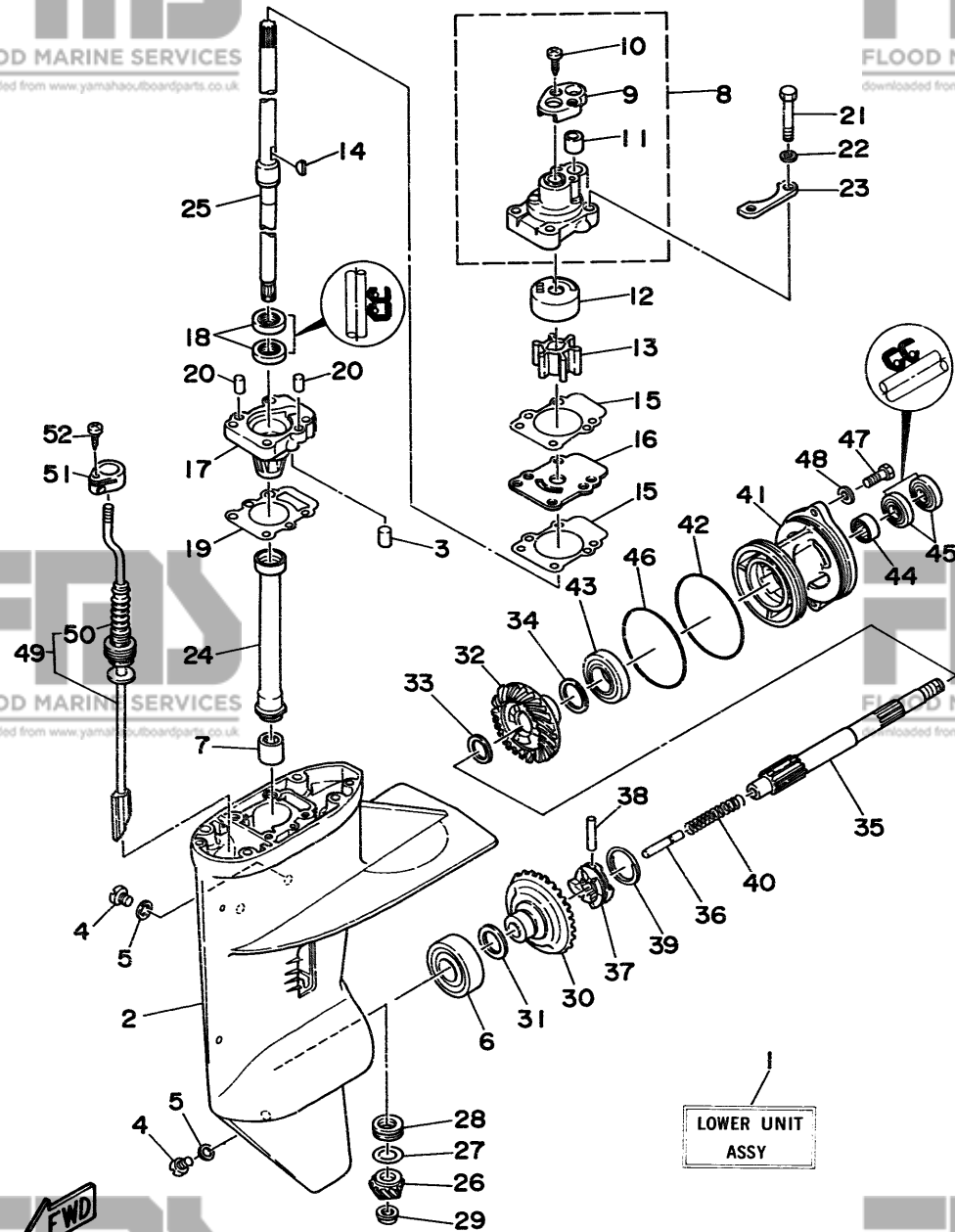
BOITIER D'HELICE, TRANSMISSION 1



REF. NO.	PART NO. NO. PIECES	DESCRIPTION DESCRIPTION	Q'TY QTE	REMARKS REMARQUES
24	6G8-45536-00	SLEEVE, DRIVE SHAFT MANCHON, ARBRE MOTEUR	1	
25	6G8-45501-10	DRIVE SHAFT COMP. ARBRE MOTEUR COMP.	1	UR LONG
	6G8-45501-20	DRIVE SHAFT COMP. ARBRE MOTEUR COMP.	1	UR ULTRA LONG
	6G8-45501-00	DRIVE SHAFT COMP. ARBRE MOTEUR COMP.	1	UR SHORT
26	6G8-45551-00	PINION PIGNON D'ATTAQUE	1	
27	6G8-45587-00-10	SHIM (0.10MM) CALE (0.10MM)	1	UR
	6G8-45587-00-14	SHIM (0.14MM) CALE (0.14MM)	1	UR
	6G8-45587-00-18	SHIM (0.18MM) CALE (0.18MM)	1	UR
	6G8-45587-00-35	SHIM (0.35MM) CALE (0.35MM)	1	UR
	6G8-45587-00-50	SHIM (0.50MM) CALE (0.50MM)	1	UR
28	93341-313U3	BEARING, THRUST CERVEAUX DE DIRECTION	1	
29	90179-08M06	NUT ECROU	1	
30	6G8-45560-00	GEAR PIGNON	1	
31	626-45577-00-01	SHIM (0.1MM) CALE (0.1MM)	1	UR
	626-45577-00-03	SHIM (0.3MM) CALE (0.3MM)	1	UR
	626-45577-00-05	SHIM (0.5MM) CALE (0.5MM)	1	UR
32	6G8-45571-00	GEAR PIGNON	1	
33	90201-17682	WASHER, PLATE RONDELLE, PLATE	1	
34	626-45577-00-01	SHIM (0.1MM) CALE (0.1MM)	1	UR
	626-45577-00-03	SHIM (0.3MM) CALE (0.3MM)	1	UR
	626-45577-00-05	SHIM (0.5MM) CALE (0.5MM)	1	UR
35	6G8-45611-00	SHAFT, PROPELLER ARBRE, HELICE	1	
36	650-45635-00	PLUNGER, SHIFT POUSSOIR D'EMBRAYAGE	1	
37	682-45631-00	CLUTCH, DOG CRABOT	1	
38	90250-05010	PIN, STRAIGHT GOUPILLE, DROITE	1	
39	648-45633-00	RING, CROSS PIN JONC, GOUPILLE CRABOT	1	
40	90501-14M06	SPRING, COMPRESSION RESSORT, COMPRESSION	1	
41	6G8-45361-01-4D	CAP, LOWER CASING COUVERCLE, BOITIER D'HELICE	1	

FIG. 17 LOWER CASING. DRIVE 1

BOITIER D'HELICE, TRANSMISSION 1



REF. NO.	PART NO. NO. PIECES	DESCRIPTION DESCRIPTION	Q'TY QTE	REMARKS REMARQUES
42	93210-74316	O-RING JOINT TORIQUE	1	
43	93306-00518	BEARING ROULEMENT	1	
44	93315-317U2	BEARING, CYLINDRICAL ROULEMENT	1	
45	93101-17054	OIL SEAL JOINT SPY	2	
46	93210-74M68	O-RING JOINT TORIQUE	1	
47	97095-06020	BOLT BOULON	2	
48	92990-06600	WASHER, PLATE RONDELLE, PLATE	2	
49	6G8-44150-10	SHIFT CAM ASSY CAME D'INVERSION	1	UR LONG
	6G8-44150-20	SHIFT CAM ASSY CAME D'INVERSION	1	UR ULTRA LONG
	6G8-44150-00	SHIFT CAM ASSY CAME D'INVERSION	1	UR SHORT
50	682-44147-00	.BOOT, SHIFT ROD .SOUFFLET, TIGE D'INVERSION	1	
51	682-44176-00	BRACKET SUPPORT	1	
52	97780-50110	SCREW, TAPPING VIS, TETE BOMBEE	1	

FIG. 18 LOWER CASING. DRIVE 2

BOITIER D'HELICE, TRANSMISSION 2

REF. NO.	PART NO. NO. PIECES	DESCRIPTION DESCRIPTION	Q'TY QTE	REMARKS REMARQUES
1	93606-12019	PIN, DOWEL GOUPILE	2	
2	97090-08035	BOLT BOULON	4	
3	92990-08600	WASHER, PLATE RONDELLE, PLATE	4	
4	6G8-45251-00	ANODE ANODE	1	
5	95895-06020	BOLT, FLANGE BOULON	1	
6	92990-06300	WASHER, INTERNAL TOOTH RONDELLE, DENTURE INTERNE	1	
7	6G8-45214-00	COVER, WATER INLET GRILLE, ENTREE D'EAU	1	
8	6G8-45215-00	COVER, WATER INLET GRILLE, ENTREE D'EAU	1	
9	98680-05525	SCREW, OVAL HEAD VIS, TETE FRAISEE BOMBEE	1	
10	90185-05002	NUT, SELF-LOCKING ECROU, AUTO-BLOCANT	1	
11	682-45375-01	DAMPER, SEAL BOURRELET, CAOUTCHOUC	1	
12	682-45376-01	GUIDE, SEAL DAMPER BUTEE, JOINT CAOUTCHOUC	1	
13	6G8-44361-10	TUBE, WATER TUBE D'EAU	1	UR LONG
	6G8-44361-20	TUBE, WATER TUBE D'EAU	1	UR ULTRA LONG
	6G9-44361-00	TUBE, WATER TUBE D'EAU	1	UR SHORT
14	626-44365-01	DAMPER, WATER SEAL JOINT, TUBE D'EAU	1	
15	6G8-45986-00	RING, DEFLECTOR DEFLECTEUR DE CERCLE	1	
16	90171-10M07	NUT, CASTLE ECROU, CRENELE	1	
17	91490-30030	PIN, COTTER GOUPILE	1	
18	6G8-45941-00	PROPELLER (3X11-3/4"X11"-R) HELICE (3X11-3/4"X11"-R)	1	UR
	6G8-45943-00	PROPELLER (3X11-3/4"X9-1/4"-R) HELICE (3X11-3/4"X9-1/4"-R)	1	UR
	6G8-45945-00	PROPELLER (3X11-3/4"X12-1/4"XR) HELICE (3X11-3/4"X12-1/4"-R)	1	UR
	6G8-45947-00-EL	PROPELLER (3X11-3/4"X9-1/4"-R) HELICE (3X11-3/4"X9-1/4"-R)	1	UR ALUMINIUM
19	6G8-45987-02	SPACER ENTRETOISE	1	
20	90201-31MA3	WASHER, PLATE RONDELLE, PLATE	1	
21	93450-10M04	CIRCLIP CIRCLIP	1	

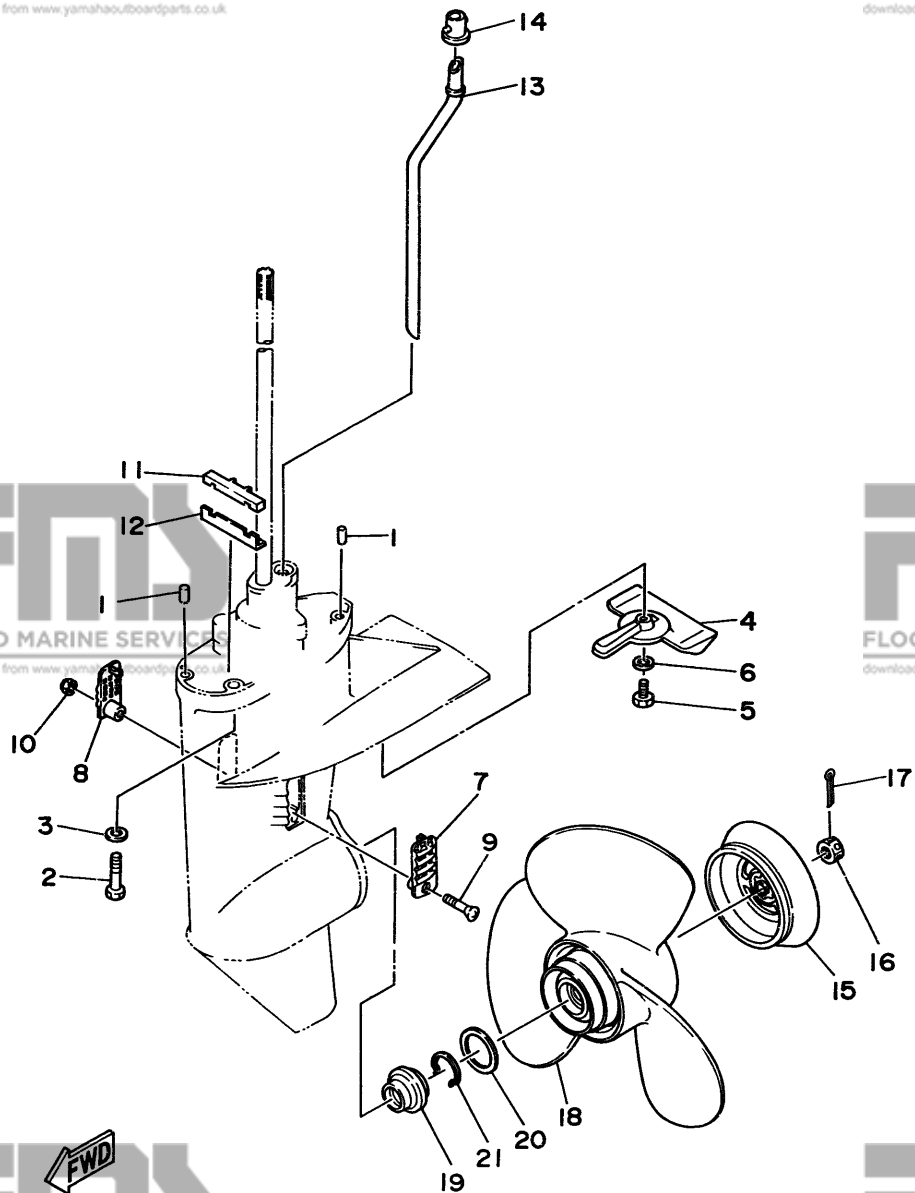
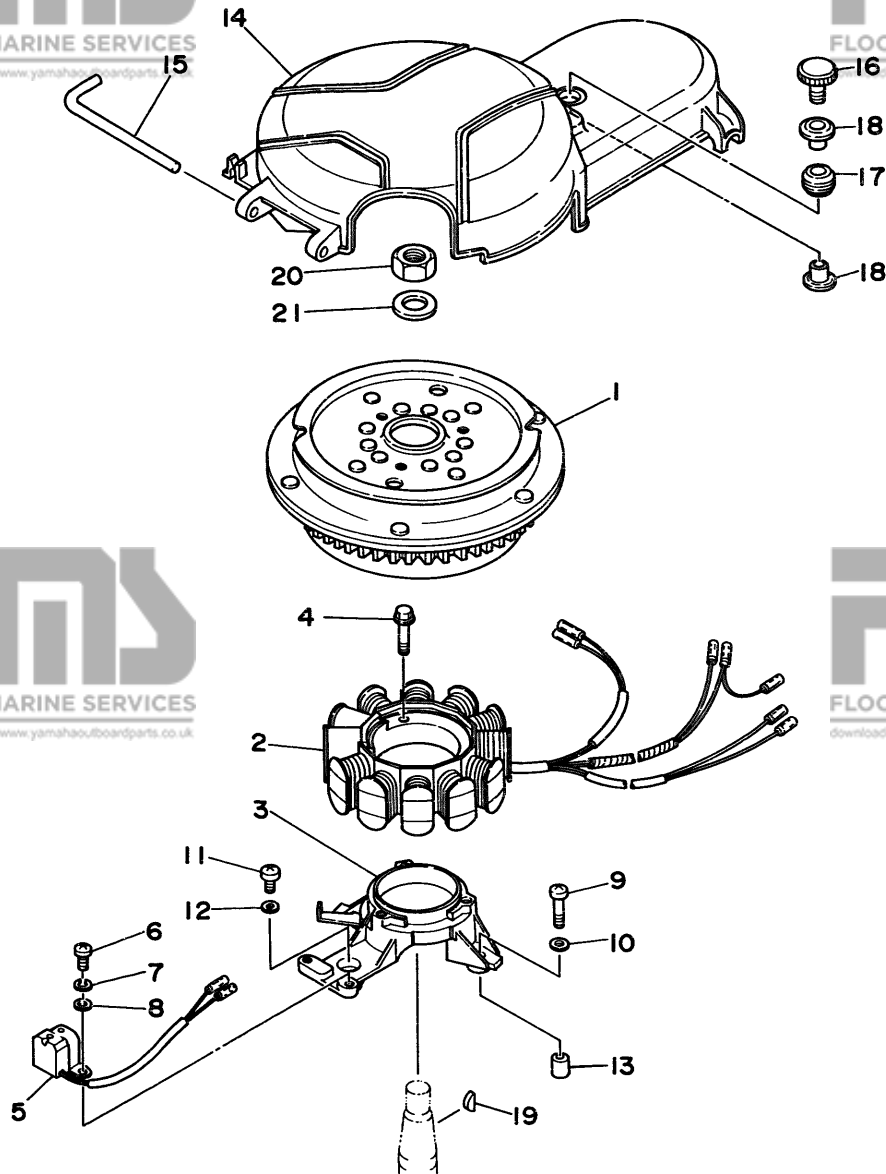


FIG. 19 GENERATOR

GENERATRICE

REF. NO.	PART NO. NO. PIECES	DESCRIPTION DESCRIPTION	Q'TY QTE	REMARKS REMARQUES
1	6G8-85550-11	ROTOR ASSY	1	UR F9.9AM
		ROTOR CPLT		
	6G8-85550-01	ROTOR ASSY	1	UR F9.9AE/F9.9AEM
		ROTOR CPLT		
2	6G8-85510-01	STATOR ASSY	1	
		STATOR CPLT		
3	6G8-85561-00-94	BASE, MAGNETO	1	
		BASE, MAGNETO		
4	95023-06025	BOLT	3	
		BOULON, A COLLERETTE		
5	6G8-85580-02	COIL, PULSER	1	
		BOBINE, PULSEUR		
6	98580-05012	SCREW, PAN HEAD	2	
		VIS		
7	92990-05100	WASHER, SPRING	2	
		RONDELLE, GROWER		
8	92990-05600	WASHER, PLATE	2	
		RONDELLE, PLATE		
9	98580-06025	SCREW, PAN HEAD	2	
		VIS		
10	92990-06600	WASHER, PLATE	2	
		RONDELLE, PLATE		
11	98580-06020	SCREW, PAN HEAD	1	
		VIS		
12	92990-06600	WASHER, PLATE	1	
		RONDELLE, PLATE		
13	99510-08012	PIN, DOWEL	2	
		GOUJON, D'ASSEMBLAGE		
14	6G8-81337-00	COVER, FLYWHEEL	1	
		COUVERCLE, VOLANT		
15	6G8-42752-00	SHAFT	1	
		AXE		
16	6G8-81323-00	SCREW 1	1	
		VIS 1		
17	90480-15M31	GROMMET	1	
		RONDELLE CAOUTCHOUC		
18	90387-06M71	COLLAR	2	
		COLLERETTE		
19	90280-16053	KEY, WOODRUFF	1	
		CLAVETTE, DEMI-LUNE		
20	90170-12066	NUT	1	
		ECROU		
21	90201-12472	WASHER, PLATE	1	
		RONDELLE, PLATE		



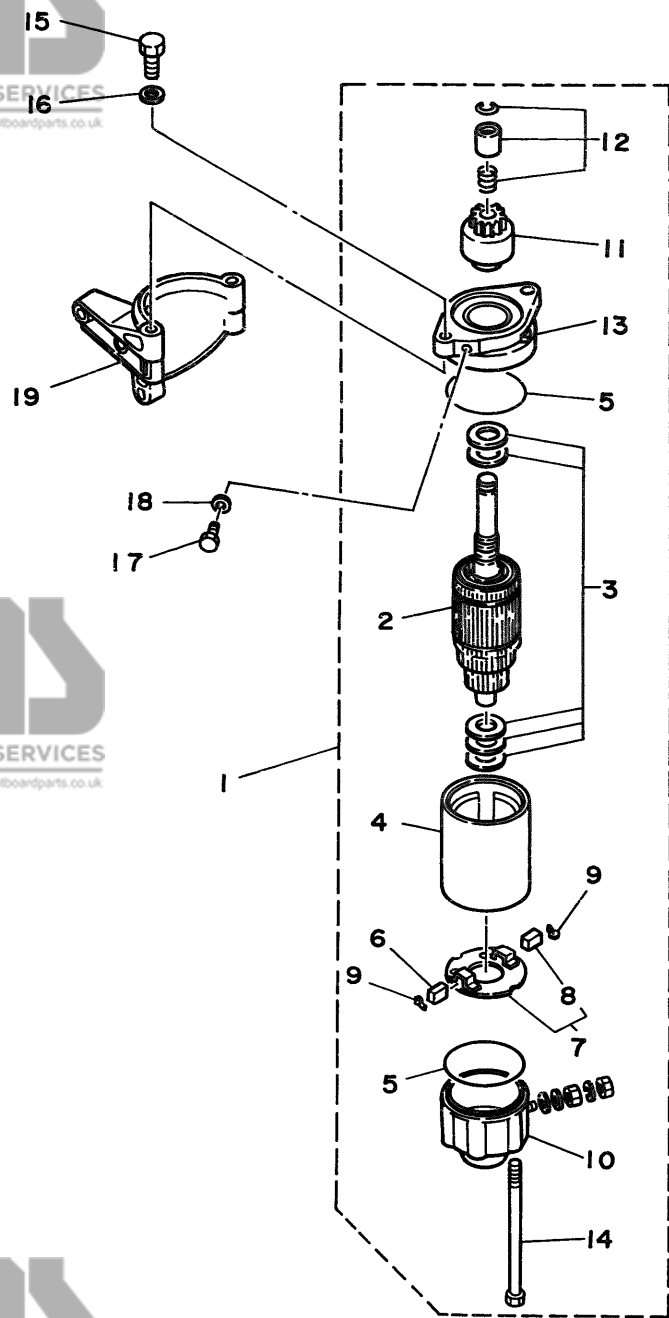


FIG. 20 STARTING MOTOR (F9.9AE/F9.9AEM)
FIG. 20 DEMARREUR ELECTRIQUE (F9.9AE/F9.9AEM)

REF. NO.	PART NO. NO. PIECES	DESCRIPTION DESCRIPTION	Q' TY QTE	REMARKS REMARQUES
1	668-81800-11	STARTING MOTOR ASSY DEMARREUR ELECTRIQUE COMPLET	1	
2	689-81850-12	.ARMATURE ASSY .INDUIT	1	
3	689-81809-11	.WASHER KIT .JEU DE RONDELLES	1	
4	689-81810-11	.STATOR ASSY .STATOR COMPLET	1	
5	689-81847-11	.O-RING	2	
6	689-81811-11	.JOINT TORIQUE .BRUSH 1 .CHARBON 1	1	
7	689-81840-11	.BRUSH HOLDER ASSY .SUPPORT DE CHARBON	1	
8	689-81812-11	.BRUSH 2 .CHARBON 2	1	
9	689-81813-10	.SPRING, BRUSH .RESSORT, DE CHARBON	2	
10	689-81820-11	.REAR BRACKET ASSY .SUPPORT ARRIERE COMPLET	1	
11	689-81807-12	.GEAR ASSY, STARTING MOTOR .PIGNON, DEMARREUR ELECTRIQUE	1	
12	689-81857-11	.PINION STOPPER SET .BUTEE PIGNON	1	
13	6F5-81830-11	.FRONT BRACKET ASSY .SUPPORT AVANT	1	
14	689-81826-10	.BOLT .BOULON	2	
15	97013-08025	BOLT BOULON	2	
16	92990-08600	WASHER, PLATE RONDELLE, PLATE	2	
17	97395-08016	BOLT BOULON	1	
18	92990-08600	WASHER, PLATE RONDELLE, PLATE	1	
19	668-81822-40-94	BRACKET, STARTING MOTOR SUPPORT, DEMARREUR ELECTRIQUE	1	

F4

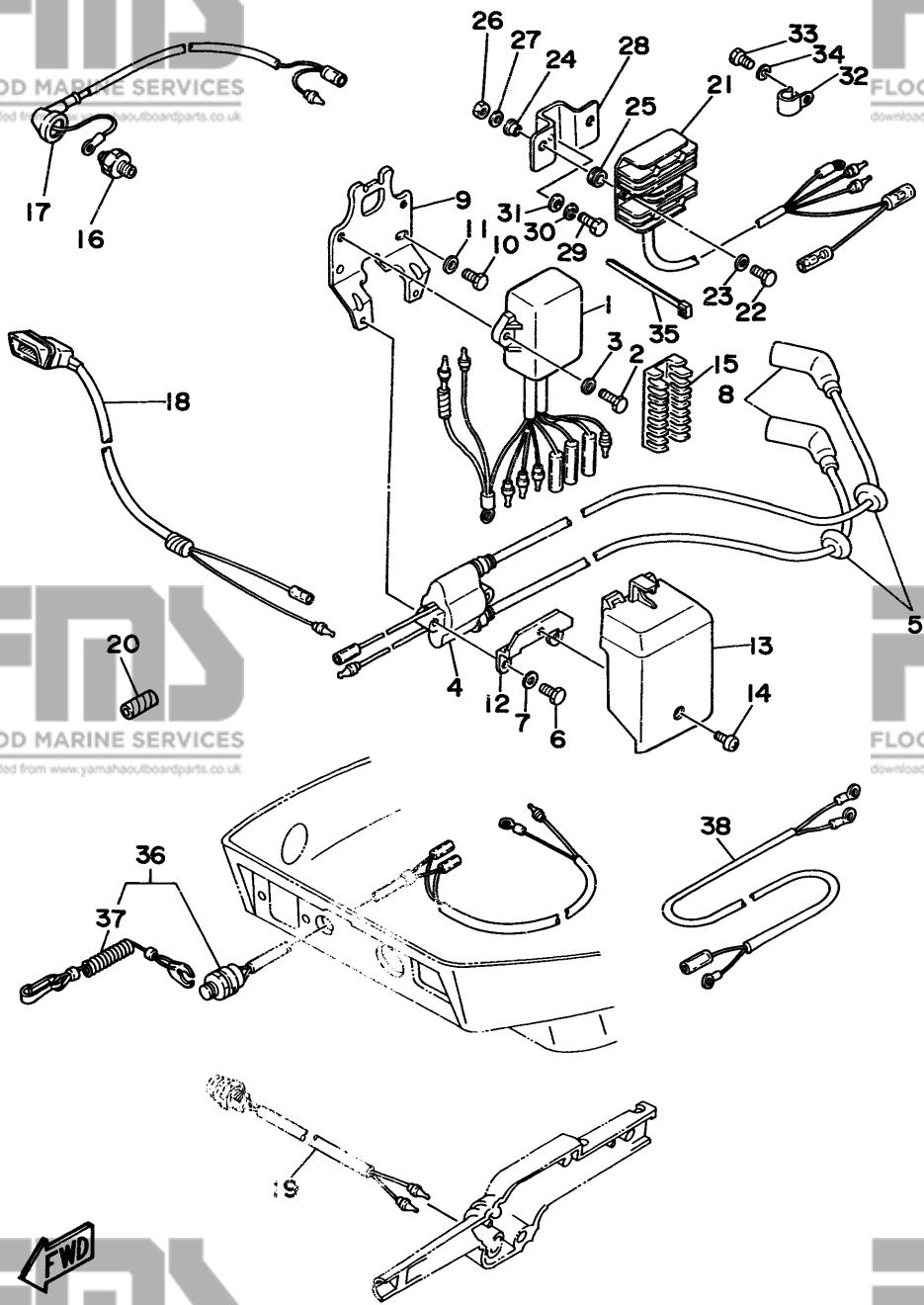


FIG. 21 ELECTRICAL 1

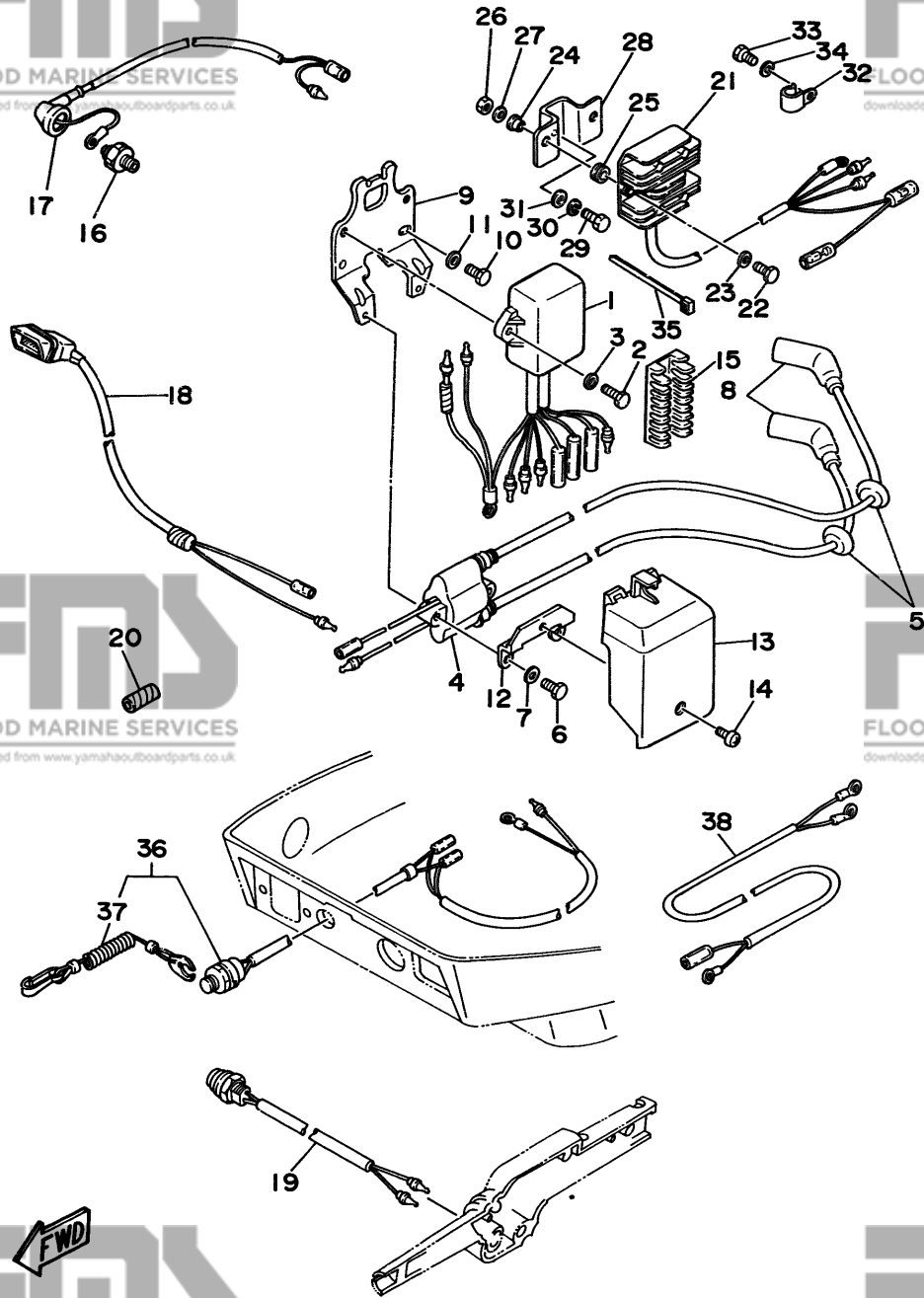
PARTIE ELECTRIQUE 1

REF. NO.	PART NO. NO. PIECES	DESCRIPTION DESCRIPTION	Q'TY QTE	REMARKS REMARQUES
1	6G8-85540-22	C.D.I. UNIT ASSY BLOC C.D.I.	1	
2	97095-06020	BOLT BOULON	2	
3	92990-06600	WASHER, PLATE RONDELLE, PLATE	2	
4	6G8-85570-21	IGNITION COIL ASSY BOBINE D'ALLUMAGE (ENS.)	1	
5	90480-25161	GROMMET RONDELLE CAOUTCHOUC	2	
6	97095-06025	BOLT BOULON	2	
7	92990-06600	WASHER, PLATE RONDELLE, PLATE	2	
8	6G8-82370-20	PLUG CAP ASSY ANTIPARASITE	2	
9	6G8-85542-00	BRACKET SUPPORT	1	
10	97095-06020	BOLT BOULON	2	
11	92990-06600	WASHER, PLATE RONDELLE, PLATE	2	
12	6G8-85525-00	PLATE PLAQUE	1	
13	6G8-81916-00	COVER, TERMINAL COUVERCLE, BORNE	1	
14	98980-06008	SCREW, BIND VIS	1	
15	6G8-82522-00	CLAMP, COUPLER BRIDE, DE CONNECTEUR	1	
16	6G8-82504-00	OIL PRESSURE SWITCH ASSY CONTACTEUR DE PRESSION D'HUILE	1	
17	6G8-82127-00	WIRE, LEAD 2 FIL 2	1	
18	6G8-83582-01	PILOT LIGHT ASSY LAMPE-TEMOIN COMPLET	1	
19	6G8-82550-20	ENGINE STOP SWITCH ASSY COMMUTATEUR D'ARRET CPLT	1	AP FOR HANDY REMOTE CONTROL
	6G8-82550-10	ENGINE STOP SWITCH ASSY COMMUTATEUR D'ARRET CPLT	1	
20	90446-10M02	HOSE DURITE	1	
21	6G8-81960-10	RECTIFIER & REGULATOR ASSY REDRESSEUR REGULATEUR CPLT	1	
22	97095-06025	BOLT BOULON	2	
23	92990-06600	WASHER, PLATE RONDELLE, PLATE	2	
24	90387-06M70	COLLAR COLLERETTE	2	
25	90480-13M24	GROMMET RONDELLE CAOUTCHOUC	2	
26	95380-06700	NUT ECROU	2	
27	92990-06600	WASHER, PLATE RONDELLE, PLATE	2	

FIG. 21 ELECTRICAL 1

PARTIE ELECTRIQUE 1

REF. NO.	PART NO. NO. PIECES	DESCRIPTION DESCRIPTION	Q'TY QTE	REMARKS REMARQUES
28	6G8-81948-02	BRACKET JOINT TORIQUE	1	
29	97095-06020	BOLT BOULON	1	
30	92995-06100	WASHER, SPRING RONDELLE, GROWER	1	
31	92990-06600	WASHER, PLATE RONDELLE, PLATE	1	
32	90465-08028	CLAMP BRIDE	1	
33	97013-06012	BOLT BOULON	1	
34	92990-06600	WASHER, PLATE RONDELLE, PLATE	1	
35	90465-13M11	CLAMP BRIDE	1	
36	6G8-82575-00	ENGINE STOP SWITCH ASSY COUPE CIRCUIT CPLT	1	
37	682-82556-00	.STOPPER .PLAQUETTE	1	
38	6G8-81949-00	WIRE, LEAD FIL	1	AP FOR CHARGING



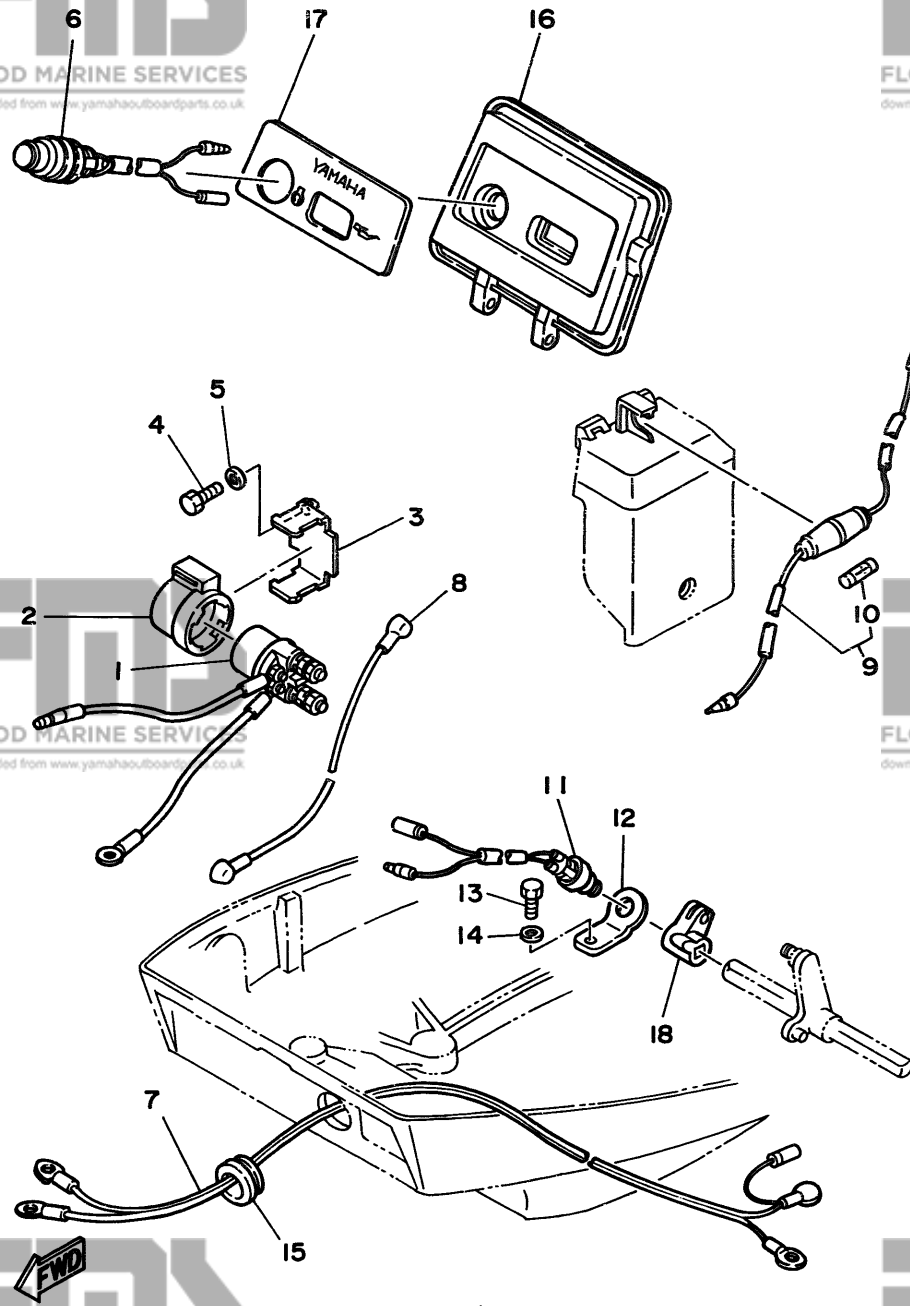


FIG. 22 ELECTRICAL 2 (F9.9AEM)

PARTIE ELECTRIQUE 2 (F9.9AEM)

REF. NO.	PART NO. NO. PIECES	DESCRIPTION DESCRIPTION	Q'TY QTE	REMARKS REMARQUES
1	6J0-81941-10	STARTER RELAY ASSY LANCEUR RELAIS (ENS.)	1	
2	6G1-81952-00	HOLDER, RELAY SUPPORT, RELAIS	1	
3	6G8-81953-00	STAY, RELAY SUPPORT, RELAIS	1	
4	97013-06012	BOLT BOULON	1	
5	92990-06600	WASHER, PLATE RONDELLE, PLATE	1	
6	6G8-81870-00	STARTING SWITCH ASSY CONTACT A CLEF	1	
7	6G8-82105-00	WIRE HARNESS FAISCEAU DE FILS	1	
8	6G8-82117-00	WIRE, LEAD FIL	1	
9	6G8-82150-00	FUSE HOLDER ASSY SUPPORT DE FUSIBLE	1	
10	682-82151-00	.FUSE (20A) .FUSIBLE (20A)	1	
11	6H3-82540-00	NEUTRAL SWITCH ASSY CONTACTEUR DE POINT-MORT	1	
12	6G8-82554-00	STAY, NEUTRAL SWITCH SUPPORT, CONT DE POINT-MORT	1	
13	97013-06012	BOLT BOULON	1	
14	92990-06600	WASHER, PLATE RONDELLE, PLATE	1	
15	6G8-42724-40	GROMMET PASSE-FIL	1	
16	6G8-W4261-10	PANEL, FRONT UPPER PANNEAU, AVANT SUPERIEUR	1	
17	6G8-42677-10	GRAPHIC, FRONT ADHESIF, AVANT	1	
18	6G8-44125-00	LEVER, SHIFT ROD LEVIER, TIGE D'INVERSION	1	



FLOOD MARINE SERVICES
downloaded from www.yamahaaoutboardparts.co.uk

PART NO.
NO. PIECES REF.
NO.

6G8-W0001-03	24- 1
6G8-W0001-24	25- 1
6G8-W0070-50	10- 9
6G8-W0078-01	25-17
6G8-W0090-30-4D	1- 1
6G8-W0090-31-4D	1- 1
6G8-W0090-32-4D	1- 1
6G8-W0093-01	24-19
676-W2810-01	9-27
6G8-W4261-00	11-29
6G8-W4261-10	22-16
	23-31
6G8-11111-02-94	1-22
6G8-11111-03-94	1-22
6G8-11133-10	1-23
6G8-11181-A0	1-36
	24- 5
6G8-11191-01-94	1-38
6G8-11197-00	1-46
6G8-11325-00	1-44
6G8-11351-A0	1- 6
	24- 9
6G8-11355-00	16-29
6G8-11356-00	1-42
6G8-11372-01	1-25
676-11372-00	1-11
	1-26
	1-26
	1-40
6G8-11411-04	2- 1
6G8-11416-00	2- 4
6G8-11416-10	2- 4
6G8-11416-20	2- 4
6G8-11426-00	2- 8
6G8-11536-00-94	6- 2
6G8-11537-00-94	6- 6
6G8-11557-00	6- 3
6G8-11575-00	7- 1
6G8-11587-00	6- 5
6G8-11610-02	2-10
6G8-11610-12	2-10
6G8-11610-22	2-10
6G8-11631-03-96	2- 9
634-11633-00	2-11
6G8-11635-03	2- 9
6G8-11636-03	2- 9
6G8-11650-03	2- 5
6G8-11654-00	2- 6

PART NO.
NO. PIECES REF.
NO.

6G8-12111-00	3- 1
6G8-12113-00	3- 4
6G8-12116-00	3- 3
6G8-12117-00	3- 5
6G8-12117-10	3- 7
30X-12118-00	3- 6
51Y-12119-00	3- 9
6G8-12121-01	3- 2
6G8-12146-00	3-13
6G8-12151-00	3-10
6G8-12153-00	3- 8
6G8-12158-00	3-12
6G8-12159-00	3-11
6G8-12171-00	6-11
6G8-12411-02	1-16
6G8-12413-00-9M	1-17
6G8-12414-A0	1-19
	24- 4
6G8-12481-00	1-28
6G8-12481-01	1-29
6G8-12482-00	11-10
6G8-13300-02	6-13
6G8-13421-00	7-12
6G8-13440-00	6-21
6G8-13442-00-94	6-20
6G8-13448-00	4-36
6G8-13471-00	7-15
6G8-13487-00	7- 4
6G8-13641-01-94	4- 5
6G8-13645-00	4- 6
	24-14
6G8-13646-A0	4- 1
	24-13
6G8-13647-00	4- 4
6G8-1410A-01	5-24
389-14137-00	5-44
1HV-14147-00	5-19
6G8-14197-01	5-16
6G8-14198-A0	4-13
	24-15
	24-20
646-14198-01	5-33
654-14198-00	5- 6
	24-23
646-14212-00	5-21
6G8-14216-00	5-10
6G8-14217-00	5-35
6G8-14229-00	5-41

NUMERICAL INDEX
INDEX NUMERIQUE

PART NO.
NO. PIECES REF.
NO.

6G8-14275-01	5-31
6G8-14286-01	5-42
6G8-14293-03	5-36
6G8-14293-10	5-36
6G8-14301-05	5- 1
6G8-14301-10	5- 1
664-14321-01	5-20
6G8-14323-00	5-13
	24-24
6G8-14323-10	5-13
647-14334-00	5-11
6G8-14341-20	5- 9
6G8-14341-30	5- 9
6G8-14342-24	5- 5
648-14343-41	5- 8
648-14343-43	5- 8
644-14344-30	5-26
6G8-14345-00	5- 7
6G8-14349-00	5-34
6G8-14357-00	5-43
6G8-14368-00	5-30
6G8-14379-00	5-39
6G8-14379-10	5-39
6G8-14381-02	5- 3
6G8-14383-00	5-28
6G8-14384-01	5- 2
	24-21
6G8-14385-00	5-15
	24-26
647-14386-10	5- 4
	24-22
6G8-14392-00	5-14
	24-25
5H0-14397-00	5-10
5Y1-14397-00	5-27
	24-29
6G8-14457-00	5-45
6G8-14478-00	4-12
6G8-14479-01-94	4-11
6G8-14479-02-94	4-11
6G8-14479-10-94	4-11
6G8-14493-00	15-32
6G8-14827-00	5-25
6G8-14997-00	5-12
6G8-15100-05-94	1- 2
6G8-15311-02-0D	7- 7
6G8-15312-A1	7- 8
	25- 2

PART NO.
NO. PIECES REF.
NO.

6G8-15316-00	7-13
6G8-15346-00	4-22
6G8-15347-00	4-23
6G8-15358-00	4-16
6G8-15362-04	7-17
6G8-15363-00	1-48
6G8-15368-00-94	4-18
6G8-15369-00	4-19
6G8-15371-00-94	4-21
6G8-15373-00	1-39
	4-35
6G8-15374-00	4-26
	24-16
6G8-15376-00	4-32
6G8-15379-00	7- 3
6G8-15393-00	4-29
6G8-15393-10	4-29
6G8-15710-10	8- 1
6G8-15711-00	8- 2
6G8-15712-00	8-30
6G8-15713-00	8- 4
6G8-15714-00	8- 3
6G8-15715-00	8- 7
6G8-15716-00	8-27
6G8-15719-00	8- 5
6G8-15723-00	8- 6
6G8-15726-00	8-21
6G8-15727-00	8- 9
6G8-15734-00	8-25
6G8-15739-00	8-17
6G8-15742-00	8-33
6G8-15746-00	8-23
6G8-15747-00	8-26
6F5-15752-00	8-12
6F5-15753-00	8-13
6G8-15754-00	8- 8
6G1-15755-00	8-34
6G8-15767-00	8-24
6G8-15768-00	8-10
6G8-15770-00	8-38
6G8-15771-00	8-39
6G8-15772-00	8-42
6G8-15779-00	8-31
689-15779-01	8-35
6G8-15789-00	8-32
6F5-15791-00	8-14
6G8-15794-00	8-22
646-24251-02	9- 5

PART NO.
NO. PIECES REF.
NO.

6G1-24304-02	9- 1
6G8-24311-00	9- 4
6H4-24312-00	9-25
6G8-24329-00	9- 2
	9-15
6G8-24376-00	9-23
6E5-24377-00	1-18
	16- 2
6E5-24378-00	1-51
6G8-24378-00	1-53
6G8-24378-00	1-27
6G8-24410-E0	9- 8
6G8-24410-02	9- 8
6G8-24410-03	9- 8
6G8-24411-02	9-10
6G8-24421-00	9- 9
677-24444-01	9-16
6G8-24471-00	9-14
6G8-26363-00	15-22
6G8-26364-00	15-23
6G8-41111-02-9M	1- 7
6G8-41112-02	1- 8
	24- 2
6G8-41113-01-9M	1-10
6G8-41113-02-9M	1-10
6G8-41113-10-9M	1-10
6G8-41114-00	1- 9
	24- 3
6G8-41131-01	16-11
6G8-41133-A0	16-14
	25- 6
6G8-41137-03-94	16- 1
6G8-41138-00	16-12
6G8-41212-00	15-24
6G8-41237-01	15-30
6G8-41238-01	15-27
6G8-41241-01	15-28
6G8-41242-01	15-31
6G8-41654-00	15-20
6G8-41661-00-98	15-15
6G8-41662-00-98	15-16
6G8-41663-00	15-17
6G8-42111-01-4D	14- 1
6G8-42112-02-4D	14- 2
6G8-42113-01-4D	14-25
6G8-42119-00	14-21
6G8-42126-01-94	14-15
6G8-42129-00	15- 2

PART NO.
NO. PIECES REF.
NO.

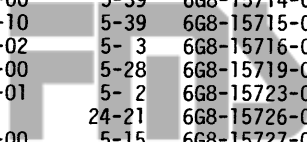
6G8-42137-01	14-22
6G8-42147-01	14- 7
6G8-42177-00	14-24
6G8-42511-02-4D	12-30
6G8-42512-01-94	13-25
6G8-42521-10-94	12-35
6G9-42521-00-94	12-35
6G8-42528-00	12-25
6G8-42534-00	12-31
6G8-42537-00	12-37
6G8-42551-00	23-33
6G8-42561-00	12- 7
6G8-42610-50-4D	10- 1
6G8-42613-00-4D	10- 6
6G8-42615-00-94	10- 2
6G8-42628-01	10-11
6G8-42629-01	11-31
6G8-42651-00	10- 3
6G8-42652-00	10- 4
6G8-42677-00	11-30
6G8-42677-10	22-17
6G8-42677-20	23-32
6G8-42678-50	10-10
6G8-42711-01-4D	11- 1
6G8-42716-00	16-10
6G8-42719-00-94	11-24
6G8-42724-00	11- 7
6G8-42724-40	22-15
6G8-42724-50	23-16
6G8-42725-10	11- 8
6H4-42725-00	14-10
6G8-42727-00	11-11
6G8-42738-00-94	11-23
6G8-42741-00-4D	16-24
6G8-42748-00	11-20
6G8-42752-00	19-15
6G8-42755-00	11-32
6G8-42771-00-4D	16-26
6G8-42791-00	16-25
6G8-42792-00	16-27
6G8-42811-00-94	11-14
6G8-42815-00	11-12
6G8-42831-00	11-13
6G8-43111-03-4D	12- 1
6G8-43112-04-4D	12- 2
6J8-43113-01	12-21
648-43114-01	12- 6
6E7-43116-00	12- 5



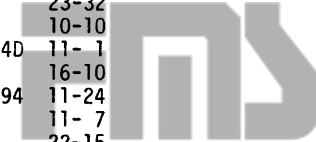
FLOOD MARINE SERVICES
downloaded from www.yamahaaoutboardparts.co.uk



FLOOD MARINE SERVICES
downloaded from www.yamahaaoutboardparts.co.uk



FLOOD MARINE SERVICES
downloaded from www.yamahaaoutboardparts.co.uk



FLOOD MARINE SERVICES
downloaded from www.yamahaaoutboardparts.co.uk



FLOOD MARINE SERVICES
downloaded from www.yamahaaoutboardparts.co.uk



FLOOD MARINE SERVICES
downloaded from www.yamahaaoutboardparts.co.uk



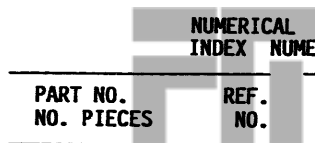
FLOOD MARINE SERVICES
downloaded from www.yamahaaoutboardparts.co.uk



FLOOD MARINE SERVICES
downloaded from www.yamahaaoutboardparts.co.uk

PART NO. NO. PIECES	REF. NO.
616-43118-00-4D	12- 3
6G8-43131-00	12-15
6G5-43145-00	12-20
6G8-43160-01	13- 5
6G8-43181-00	12- 8
6G8-43311-14-4D	12-22
6G9-43311-03-4D	12-22
682-43318-01	12- 9
6G8-43319-02-94	13-22
682-43339-01	12-14
6G8-43373-00	12-28
682-43611-01	13-16
682-43614-00	13-14
682-43615-01	13-15
6G8-43616-00	13- 9
6G8-43617-00	13-13
6G8-43631-02	13- 6
682-43641-00	13-10
682-43659-00	13-19
682-43673-00	13-18
6G8-44111-00	15-33
682-44116-00	15-38
682-44117-00	15-39
6G8-44121-00-98	15- 1
6G8-44123-00	15- 3
6G8-44125-00	8-43
	22-18
	23-38
682-44132-00	15-35
6G8-44141-00	15-36
6G8-44143-10	15-41
6G9-44143-00	15-41
682-44147-00	17-50
6G8-44150-00	17-49
6G8-44150-10	17-49
6G8-44150-20	17-49
6G8-44159-00	15-34
682-44176-00	17-51
6G8-44191-00	14- 4
682-44300-01	17- 8
682-44312-00	17- 9
682-44315-A0	17-15
	25- 9
	25-22
682-44322-00	17-12
	25-20
682-44323-00	17-16
	25-23

PART NO. NO. PIECES	REF. NO.
682-44328-00	17-23
682-44352-01	17-13
	25-21
6G8-44361-10	18-13
6G8-44361-20	18-13
6G9-44361-00	18-13
626-44365-01	18-14
	25-16
682-44365-00	17-11
	25-18
6G8-44367-00	16- 4
6G8-44391-00	11- 9
6G8-44517-00-94	12-41
6G8-44518-00	12-51
6G8-44521-00	12-54
6G8-44522-00	12-49
6G8-44526-00	12-42
6G8-44532-00	12-55
6G8-44533-00	12-52
6G8-44551-01-4D	12-56
6G8-44552-02-4D	12-57
682-44555-00	12-64
6G8-44557-00	12-63
6G8-45111-12-4D	16-15
6G9-45111-02-4D	16-15
6G8-45113-A0	16-20
	25- 7
663-45119-00	12-24
	14- 6
6G8-45127-00	7- 9
6G8-45135-00	16- 9
6G8-45151-00	16-19
6G8-45211-20-4D	16-30
6G8-45214-00	18- 7
6G8-45215-00	18- 8
6G8-45251-00	18- 4
6G8-45300-06-4D	17- 1
6G8-45300-16-4D	17- 1
6G8-45300-26-4D	17- 1
6G8-45311-04-4D	17- 2
6G8-45315-A0	17-19
	25-11
6G8-45331-00-5B	17-17
6G8-45361-01-4D	17-41
682-45375-01	18-11
	25-15
682-45376-01	18-12
6G8-45501-00	17-25



FLOOD MARINE SERVICES
downloaded from www.yamahaaoutboardparts.co.uk

NUMERICAL INDEX
INDEX NUMERIQUE

PART NO. NO. PIECES	REF. NO.
6G8-45501-10	17-25
6G8-45501-20	17-25
6G8-45536-00	17-24
6G8-45551-00	17-26
6G8-45560-00	17-30
6G8-45571-00	17-32
626-45577-00-01	17-31
	17-34
626-45577-00-03	17-31
	17-34
626-45577-00-05	17-31
	17-34
6G8-45587-00-10	17-27
6G8-45587-00-14	17-27
6G8-45587-00-18	17-27
6G8-45587-00-35	17-27
6G8-45587-00-50	17-27
6G8-45611-00	17-35
682-45631-00	17-37
648-45633-00	17-39
650-45635-00	17-36
6G8-45941-00	18-18
6G8-45943-00	18-18
6G8-45945-00	18-18
6G8-45947-00-EL	18-18
6G8-45986-00	18-15
6G8-45987-02	18-19
6G8-46241-00	6- 1
6G8-48311-02	15-12
6G8-48311-11	15-12
6G8-48321-01	15-13
6G8-48321-10	15-13
6G8-48351-51	23-37
6G8-81323-00	19-16
6G8-81336-00	1-41
6G8-81337-00	19-14
6G8-81800-11	20- 1
689-81807-12	20-11
689-81809-11	20- 3
689-81810-11	20- 4
689-81811-11	20- 6
689-81812-11	20- 8
689-81813-10	20- 9
689-81820-11	20-10
6G8-81822-40-94	20-19
689-81826-10	20-14
6F5-81830-11	20-13
689-81840-11	20- 7

PART NO. NO. PIECES	REF. NO.
689-81847-11	20- 5
689-81850-12	20- 2
689-81857-11	20-12
6G8-81870-00	22- 6
6G8-81916-00	21-13
6J0-81941-10	22- 1
	23- 1
6G8-81948-02	21-28
6G8-81949-00	21-38
6G1-81952-00	22- 2
	23- 2
6G8-81953-00	22- 3
	23- 3
6G8-81960-10	21-21
6G8-82105-00	22- 7
	23-15
6G8-82117-00	22- 8
	23- 6
6G8-82127-00	21-17
6G8-82149-00	16-16
6G8-82150-00	22- 9
682-82151-00	22-10
	23- 8
6G8-82370-20	21- 8
6G8-82504-00	21-16
6G8-82510-00	23-24
6G8-82522-00	21-15
6H3-82540-00	22-11
	23- 9
6G8-82550-10	21-19
6G8-82550-20	21-19
6G8-82554-00	22-12
	23-10
682-82556-00	21-37
	23-21
6G8-82570-02	23-18
6G8-82571-01	23-19
6G8-82575-00	21-36
688-82575-01	23-20
6G8-82580-00	23-13
663-82581-01	23-22
688-82586-50	23-17
6G8-82590-00	23-14
6G8-83582-01	21-18
	23-23
6G8-85510-01	19- 2
6G8-85525-00	21-12

PART NO. NO. PIECES	REF. NO.
6G8-85540-22	21- 1
6G8-85542-00	21- 9
6G8-85550-01	19- 1
6G8-85550-11	19- 1
6G8-85561-00-94	19- 3
6G8-85570-21	21- 4
6G8-85580-02	19- 5
90101-08M88	12-67
90105-06M33	7-14
	16-13
90105-08M36	1-32
90105-08M37	1-31
90105-10M30	13-26
90109-06M25	12-10
90116-06M15	4- 7
90116-06M26	5-29
90116-08M19	16-31
90116-08M28	12-47
90119-06M12	1- 5
90119-08M18	1- 4
90149-05M05	23-27
90157-06M04	16-28
90159-05M06	15-21
90159-06M05	4-17
90170-06015	15-42
90170-12066	19-20
90170-24M09	6- 4
90171-10M07	18-16
90179-08M06	17-29
90185-05002	18-10
90185-20M03	14-29
90185-22M11	12-19
90201-06M00	2- 7
90201-06M31	11- 6
	11-17
	12-27
90201-06M94	6-10
	15-10
90201-06049	14-18
90201-08M44	12-70
90201-08M12	12-48
90201-10M76	13-28
90201-12472	19-21
90201-13201	6- 8
90201-17682	17-33
90201-20M00	14-28
90201-22428	12-18
90201-31M43	18-20

PART NO. NO. PIECES	REF. NO.
90202-06007	14-19
90202-20M33	14-30
90206-08M13	11-19
90206-10M15	12-13
90206-12052	15- 7
90206-20M14	14-27
90209-45M09	12-36
90243-04M00	12- 4
90249-06M20	13-11
90250-05010	17-38
90266-04M04	10- 5
90269-02M09	14-23
90280-03M01	6- 7
90280-03024	17-14
90280-16053	19-19
90340-08M04	17- 4
90386-05M54	15-11
90386-08M49	11-16
90386-12069	15- 6
90386-20M94	13- 8
90386-22M92	12-16
90386-22M93	12-17
90386-33M56	14-26
90386-37M47	12-38
90386-37M48	12-40
90387-06M09	13- 1
90387-06M15	11- 5
90387-06M20	13-17
90387-06M58	15-26
90387-06M70	21-24
90387-06M71	19-18
90387-06M72	11-18
90387-06M73	23-34
90387-13M56	3-14
90430-08020	17- 5
	25- 8
90445-05ME6	11-26
90445-09M00	9-26
90445-09065	4-31
	9- 6
	9-24
90445-09105	9-21
90445-09163	11-10
90445-09220	1-28
	1-30
90445-09225	9-21
90445-09252	11-10



FLOOD MARINE SERVICES
downloaded from www.yamahaaoutboardparts.co.uk



FLOOD MARINE SERVICES
downloaded from www.yamahaaoutboardparts.co.uk



FLOOD MARINE SERVICES
downloaded from www.yamahaaoutboardparts.co.uk

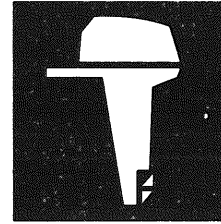
G2



FLOOD MARINE SERVICES
downloaded from www.yamahaaoutboardparts.co.uk

NUMERICAL INDEX
INDEX NUMERIQUE

PART NO. NO. PIECES	REF. NO.	PART NO. NO. PIECES	REF. NO.	PART NO. NO. PIECES	REF. NO.	PART NO. NO. PIECES	REF. NO.	PART NO. NO. PIECES	REF. NO.	PART NO. NO. PIECES	REF. NO.
90445-11M38	1-52	92990-05600	7- 6	92990-06600	23-36	93210-74316	17-42	97013-08025	20-15	97780-40112	4-20
90445-11M52	4-30		14- 9	92990-08600	8-37		25-14	97090-08035	18- 2		4-24
90445-11M66	1-21		15-45		12-46	93306-00518	17-43	97095-06012	8-40		4-27
90445-20ME5	15-14		19- 8		12-68	93315-213V4	17- 7		12-43		17-10
90445-24M00	15-14		23-30		16-23	93315-317U2	17-44		16-17	97780-50110	17-52
90446-10M02	21-20	92990-06200	8-28		16-33	93332-00005	17- 6	97095-06016	6- 9	97890-05006	5-32
90460-38M06	12-50		10- 8		18- 3	93341-313U3	17-28		11-15	98503-04014	9-12
90461-06M01	4-34	92990-06300	18- 6		20-16	93430-04M03	23-35		11-21		24-27
90465-08028	4-33	92990-06600	1-13		20-18	93450-09M01	1-24		11-27	98507-04010	4-28
	4-34		1-15	92995-06100	5-18	93450-10M04	18-21		15- 8	98580-04010	5-37
	9-28		1-35		7-11	93450-15023	2-12		15-18	98580-04016	5-22
	21-32		4- 3		8-16	93604-08062	17- 3	97095-06020	16- 7	98580-05012	7- 5
90465-13M11	21-35		4- 9		9-18	93605-15065	12-32		17-47		19- 6
90467-08004	9- 7		6-19		21-30	93606-12019	16- 6		21- 2	98580-05016	4-14
	9-22		6-24	93101-13M27	16- 5		16-21		21-10	98580-05525	1-45
90480-09M35	11- 2		6-26		25- 5		16-34		21-29	98580-06016	13-23
90480-13M24	21-25		8-41	93101-17054	17-45		17-20	97095-06025	1-12	98580-06018	5-17
90480-15M31	19-17		9-19		25-12		18- 1		6-18	98580-06020	19-11
90480-19031	11-25		9-30	93101-20048	17-18	93700-06M03	12-23		12-29	98580-06025	9-17
90480-25161	21- 5		11-22		25-10		14- 5		14-11		19- 9
90501-10071	12-66		11-28	93101-25M24	2- 3	94701-00282	1-50		21- 6	98680-05525	18- 9
90501-12M40	3-15		12-12		24-11	95023-06025	19- 4		21-22	98780-03008	9-11
90501-12M41	3-16		12-34	93102-18M21	6-12	95303-04600	15-29	97095-06030	1-14	98780-05016	14- 3
90501-14M06	17-40		12-44		24-12	95303-08700	8-11		6-25	98813-03100	5-40
90501-18M00	12-26		12-59	93102-30M22	2- 2	95380-05600	23-28		11- 3	98980-04008	23-25
90501-23M42	14-16		12-61		24-10	95380-06600	13-24		12-33	98980-06008	21-14
90506-29M16	13-21		13- 4	93210-08M60	16- 3	95380-06700	4- 2		15-25	99080-05600	13-12
90508-18M33	13- 7		14-12		25- 4		4-10	97095-06040	14-13		13-20
90890-44373	8-18		14-14	93210-09M01	6-16		10- 7		25-19	99510-08012	19-13
91490-16010	11-33		15- 9		6-22		12-62	97095-06045	4- 8	99510-10114	1- 3
	15- 4		15-19		24-18		13- 3		12-58		1-33
	15-46		16- 8	93210-10M61	6-15		14-20		17-21		
91490-16015	8-29		16-18		24-17		15-43	97095-06095	12-60		
91490-25020	15-37		17-22	93210-11M59	1-37		21-26	97095-06135	13- 2		
91490-30030	18-17		17-48		24- 6	95380-08600	16-32	97313-05012	8-19		
91690-30012	12-65		19-10	93210-12M62	7- 2	95380-10700	13-27	97313-06010	7-10		
91790-05020	15-44		19-12	93210-13M63	1-47	95680-06100	12-11	97313-06040	11- 4		
92990-04100	5-23		21- 3		6-17	95780-08300	12-53	97313-06050	6-23		
	5-38		21- 7		24- 7		12-69	97313-08030	8-36		
	23-26		21-11	93210-16M64	7-16	95895-06020	18- 5	97315-06025	8-15		
	24-28		21-23		25- 3	97013-06012	9-29	97395-05016	14- 8		
92990-04200	4-25		21-27	93210-20M65	9-20		15-40	97395-08016	20-17		
	9-13		21-31	93210-24M79	1-49		21-33	97395-08030	12-45		
92990-05100	8-20		21-34		24- 8		22- 4	97395-08040	16-22		
	19- 7		22- 5	93210-27ME3	6-14		22-13	97580-06030	14-17		
	23-29		22-14	93210-37M67	12-39		23- 4	97595-06520	1-20		
92990-05200	15- 5		23- 5	93210-74M68	17-46		23-11		1-43		
92990-05600	4-15		23-12		25-13	97013-06035	1-34		9- 3		



**PARTS
CATALOGUE
CATALOGUE
DE PIÈCES
DETACHÉES**

F9.9A'94 (6G8)

This Parts Catalogue is related to the parts in use for the Yamaha outboard motor F9.9A '94(6G8). When you are ordering replacement parts for the F9.9A'94(6G8), refer to this Parts Catalogue and quote both part numbers and part names correctly.

1. Modifications or additions which have been made after issue of the Parts Catalogue will be announced in the Yamaha Parts News.
It is advisable that according to the Yamaha Parts News you make necessary corrections to the Parts Catalogue on hand to keep it up-to-date.

2. Abbreviations

The following abbreviations are used in this Parts Catalogue.

- UR Use size (thickness) and/or number as required.
- UN Use as many as you need.
- AP Alternate Parts
- STD Standard
- O/S Over Size

3. Parts, which are to be supplied in the form of assemblies, are listed with an indentation of one letter's space, and a dot (.) is put against the name of each part.

EXAMPLE

- CARBURETOR ASS'Y
- . JET, pilot
- . NOZZLE, main

4. Indication of No. of constituent parts for assembly.

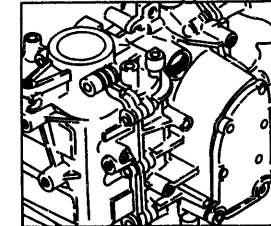
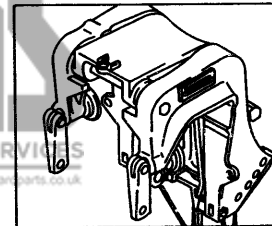
The numeral appearing to the right of each constituent part under the description indicates the quantity of such parts for each individual assembly unit.

EXAMPLE

Part No.	Description	Q'ty	Remarks
6E0-85500-70	C.D.I. MAGNETO ASS'Y	1	
6E0-85550-70	. ROTOR ASS'Y	1	
6E0-15723-00-94	.. PULLEY, starter	1	

5. Initial Serial No. and Color Code

Engine Serial No.	Initial Serial No.	Color Code
F9.9AM	L : 303492 and following	UL : 702756 and following
F9.9AE	S : 100690 and following	L : 408272 and following
F9.9AEM	L : 469307 and following	UL : 761594 and following
		UL : 786352 and following



Color Code	Color Name	Abbreviate
4D	DARK BLUISH GRAY METALLIC 2	DBNM2

Ce catalogue de pièces Détachées concerne les pièces utilisées sur le Yamaha moteur hors bord F9.9A(6G8) modèle 1994. Lorsque vous commandez des pièces détachées pour le veuillez vous reporter à ce catalogue de Pièces Détachées et indiquer clairement et les numéros de pièces et leurs noms.

1. Les modifications ou ajouts ayant été faits après la sortie du Catalogue de Pièces Détachées seront décrits dans les Bulletins Yamaha.

A partir des Bulletins Yamaha, il est conseillé de faire les corrections nécessaires au Catalogue de Pièces Détachées afin de le tenir à jour.

2. Abréviations

Dans ce catalogue, les abréviations suivantes sont utilisées.

- UR Utiliser la taille (épaisseur) et/ou le nombre demandés.
- UN Utiliser autant que vous en avez besoin.
- AP Pièces de Rechange
- STD Standard
- O/S Cote Réparation

3. Les pièces, devant être fournies sous forme d'ensembles, sont cataloguées avec un décalage d'une lettre, et un point (.) est mis devant le nom de chaque pièce.

EXEMPLE CARBURATEUR (ENS.)
.GICLEUR de ralenti
.TUBE d'émulsion

4. Indication du Nbre. de pièces constituant un ensemble

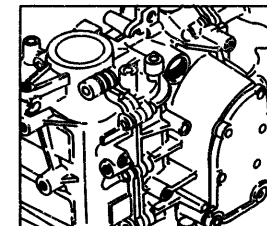
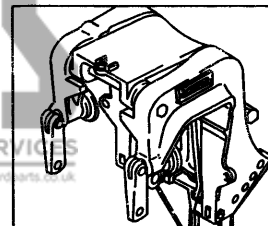
Le chiffre apparaissant sur la droite de chaque pièce composante située dans la colonne "Désignation" indique la quantité de telles pièces pour chaque ensemble individuel.

EXEMPLE

Référence	Désignation	Q/té	Remarques
6E0-85500-70	VOLANT MAGNETO-ELECTRONIQUE (ENS.)	1	
6E0-85550-70	.VOLANT NU (ENS.)	1	
6E0-15723-00-94	..POULIE, lanceur	1	

5. No. de Série de Départ et Code de Couleur

No. De Série	F9.9AM	L : 303492 et suivants UL : 702756 et suivants
	F9.9AE	S : 100690 et suivants L : 408272 et suivants UL : 761594 et suivants
	F9.9AEM	L : 469307 et suivants UL : 786352 et suivants



Code de Couleur	Nom de la Couleur	Abréviation
4D	DARK BLUISH GRAY METALLIC 2	DBNM2

Sheet 1/2 (Fig. 1 to Fig. 22)

FIG. 1	CYLINDER. CRANKCASE	A6~B1
FIG. 2	CRANKSHAFT. PISTON	B2
FIG. 3	VALVE	B3
FIG. 4	INTAKE	B4, B5
FIG. 5	CARBURETOR	B6, B7
FIG. 6	OIL PUMP	C1
FIG. 7	OIL PAN	C2
FIG. 8	STARTER	C3, C4
FIG. 9	FUEL	C5, C6
FIG. 10	TOP COWLING	C7
FIG. 11	BOTTOM COWLING	D1, D2
FIG. 12	BRACKET 1	D3~D5
FIG. 13	BRACKET 2	D6
FIG. 14	STEERING (F9.9AM/F9.9AEM)	D7, E1
FIG. 15	CONTROL	E2, E3
FIG. 16	UPPER CASING	E4, E5
FIG. 17	LOWER CASING DRIVE 1	E6~F1
FIG. 18	LOWER CASING DRIVE 2	F2
FIG. 19	GENERATOR	F3
FIG. 20	STARTING MOTOR (F9.9AE/F9.9AEM)	F4
FIG. 21	ELECTRICAL 1	F5, F6
FIG. 22	ELECTRICAL 2 (F9.9AEM)	F7

NUMERICAL INDEX

Sheet 2/2 (Fig. 23 to Fig. 25)

FIG. 23	ELECTRICAL 3 (F9.9AE)	A6, A7
FIG. 24	REPAIR KIT 1	B1, B2
FIG. 25	REPAIR KIT 2	B3

NUMERICAL INDEX

TABLE DES MATIERES

Feuille 1/2 (Fig. 1 ~ Fig. 22)

FIG. 1	CYLINDRE. CARTER	A6~B1
FIG. 2	VILEBREQUIN. PISTON	B2
FIG. 3	SOUPAPE	B3
FIG. 4	ADMISSION	B4, B5
FIG. 5	CARBURATEUR	B6, B7
FIG. 6	POMPE A HUILE	C1
FIG. 7	VENTILATEUR D' HUILE	C2
FIG. 8	DEMARREUR	C3, C4
FIG. 9	CARBURANT	C5, C6
FIG. 10	CAPOT SUPERIEUR	C7
FIG. 11	CAPOT INFERIEUR	D1, D2
FIG. 12	SUPPORT 1	D3~D5
FIG. 13	SUPPORT 2	D6
FIG. 14	DIRECTION (F9.9AM/F9.9AEM)	D7, E1
FIG. 15	COMMANDE	E2, E3
FIG. 16	FOURREAU	E4, E5
FIG. 17	BOITIER D' HELICE, TRANSMISSION 1	E6~F1
FIG. 18	BOITIER D' HELICE, TRANSMISSION 2	F2
FIG. 19	GENERATRICE	F3
FIG. 20	DEMARREUR ELECTRIQUE (F9.9AE/F9.9AEM)	F4
FIG. 21	PARTIE ELECTRIQUE 1	F5, F6
FIG. 22	PARTIE ELECTRIQUE 2 (F9.9AEM)	F7
	INDEX NUMERIQUE	

Feuille 2/2 (Fig. 23 ~ Fig. 25)

FIG. 23	PARTIE ELECTRIQUE 3 (F9.9AE)	A6, A7
FIG. 24	KITS DE REPARATION 1	B1, B2
FIG. 25	KITS DE REPARATION 2	B3
	INDEX NUMERIQUE	

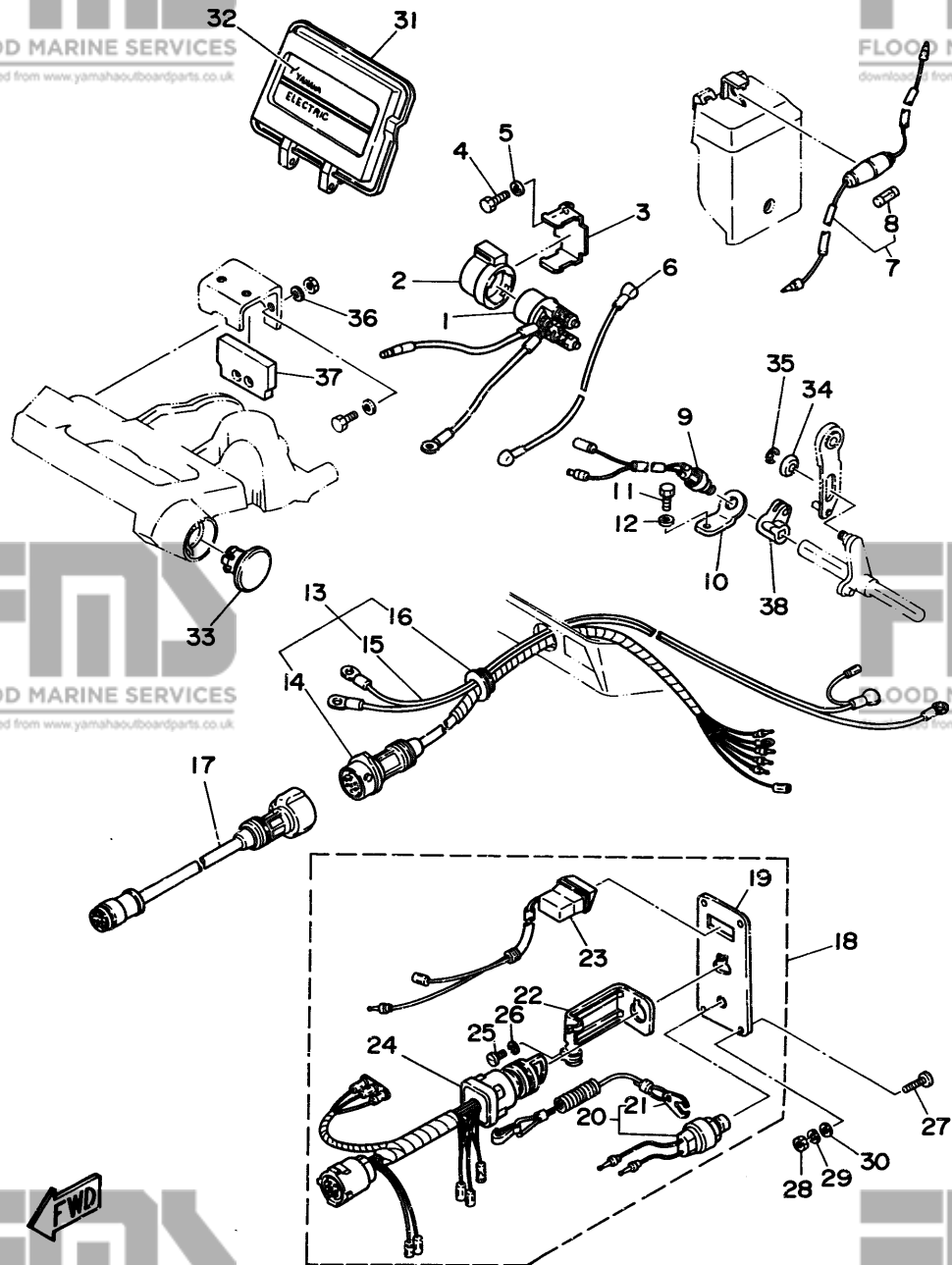


FIG. 23 ELECTRICAL 3 (F9.9AE)

PARTIE ELECTRIQUE 3 (F9.9AE)

REF. NO.	PART NO. NO. PIECES	DESCRIPTION DESCRIPTION	Q'TY QTE	REMARKS REMARQUES
1	6J0-81941-10	STARTER RELAY ASSY .LANCEUR RELAIS (ENS.)	1	
2	6G1-81952-00	HOLDER, RELAY .SUPPORT, RELAIS	1	
3	6G8-81953-00	STAY, RELAY .SUPPORT, RELAIS	1	
4	97013-06012	BOLT .BOULON	1	
5	92990-06600	WASHER, PLATE .RONDELLE, PLATE	1	
6	6G8-82117-00	WIRE, LEAD .FIL	1	
7	6G8-82150-00	FUSE HOLDER ASSY .SUPPORT DE FUSIBLE	1	
8	682-82151-00	.FUSE (20A) .FUSIBLE (20A)	1	
9	6H3-82540-00	NEUTRAL SWITCH ASSY .CONTACTEUR DE POINT-MORT	1	
10	6G8-82554-00	STAY, NEUTRAL SWITCH .SUPPORT, CONT DE POINT-MORT	1	
11	97013-06012	BOLT .BOULON	1	
12	92990-06600	WASHER, PLATE .RONDELLE, PLATE	1	
13	6G8-82580-00	WIRE HARNESS ASSY 2 .FAISCEAU DE FILS 2 CPLT	1	
14	6G8-82590-00	.WIRE HARNESS ASSY .FAISCEAU DE FILS COMPLET	1	
15	6G8-82105-00	.WIRE HARNESS .FAISCEAU DE FILS	1	
16	6G8-42724-50	.GROMMET .PASSE-FIL	1	
17	688-82586-50	EXTENSION, WIREHARNESS .EXTENSION, FAISCEAU DE FILS	1	L:5M (7P)
18	6G8-82570-02	PANEL SWITCH ASSY .PLATINE D'INTERRUPEUR CPLT	1	
19	6G8-82571-01	.PANEL, SWITCH .TABLEAU, CONTACTEUR	1	
20	688-82575-01	.ENGINE STOP SWITCH ASSY .COUPE CIRCUIT CPLT	1	
21	682-82556-00	.STOPPER .PLAQUETTE	1	
22	663-82581-01	.STAY, CORD CLAMP .SUPPORT, COLLIER DE CORDON	1	
23	6G8-83582-01	.PILOT LIGHT ASSY .LAMPE-TEMOIN COMPLET	1	
24	6G8-82510-00	.MAIN SWITCH ASSY .CONTACTEUR A CLEF COMPLET	1	
25	98980-04008	.SCREW, BIND .VIS	1	
26	92990-04100	.WASHER, SPRING .RONDELLE, GROWER	1	
27	90149-05M05	SCREW .VIS	4	
28	95380-05600	NUT .ECROU	4	

FIG. 23 ELECTRICAL 3 (F9.9AE)

PARTIE ELECTRIQUE 3 (F9.9AE)

REF. NO.	PART NO. NO. PIECES	DESCRIPTION DESCRIPTION	Q'TY QTE	REMARKS REMARQUES
29	92990-05100	WASHER, SPRING RONDELLE, GROUVER	4	
30	92990-05600	WASHER, PLATE RONDELLE, PLATE	4	
31	6G8-W4261-10	PANEL, FRONT UPPER PANNEAU, AVANT SUPERIEUR	1	
32	6G8-42677-20	GRAPHIC, FRONT ADHESIF, AVANT	1	
33	6G8-42551-00	GROMMET PASSE-FIL	1	
34	90387-06M73	COLLAR COLLERETTE	1	
35	93430-04M03	CIRCLIP CLIPS	1	
36	92990-06600	WASHER, PLATE RONDELLE, PLATE	2	
37	6G8-48351-51	SEAL, RUBBER PASSE-FIL	1	
38	6G8-44125-00	LEVER, SHIFT ROD LEVIER, TIGE D'INVERSION	1	

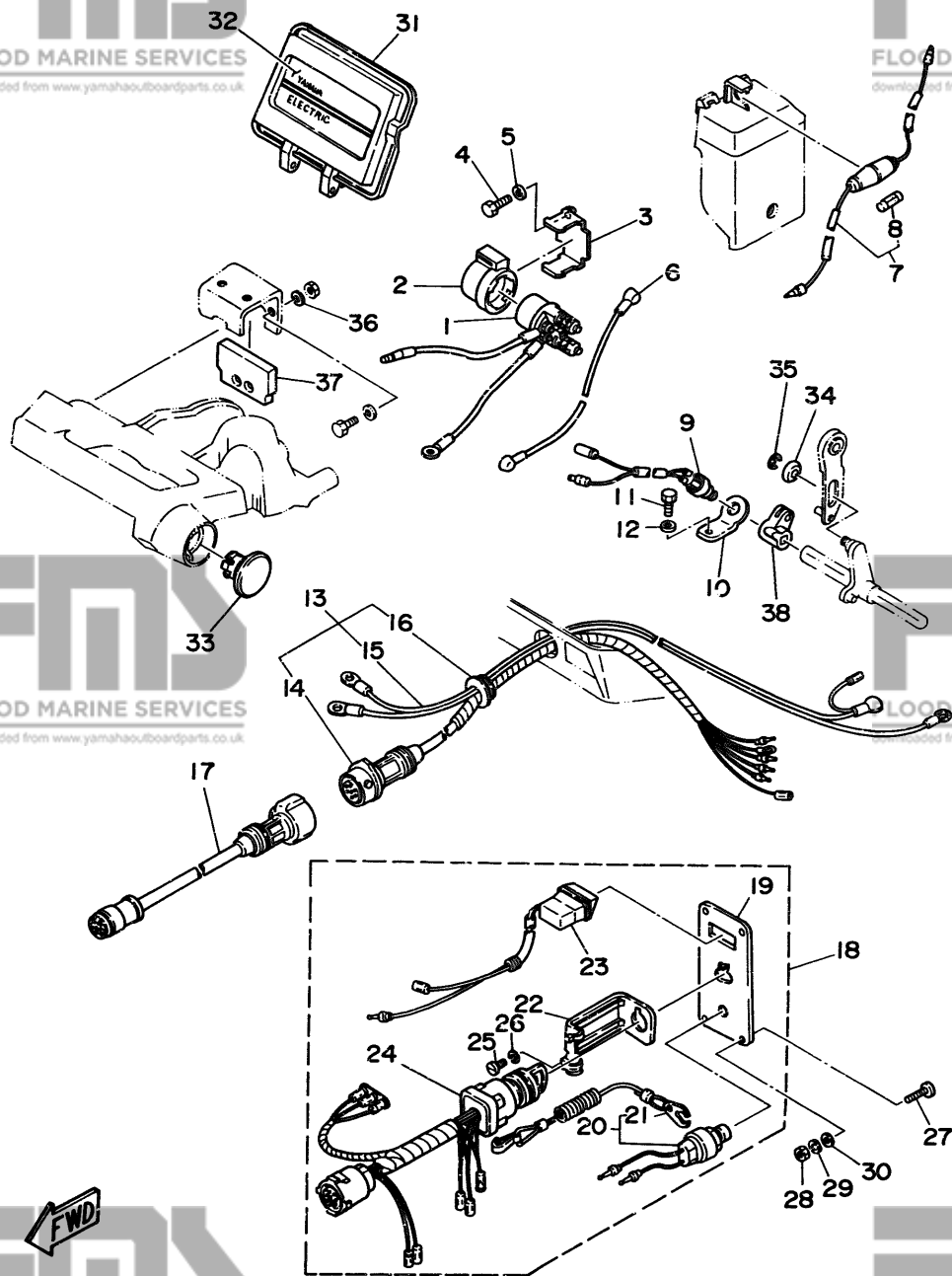
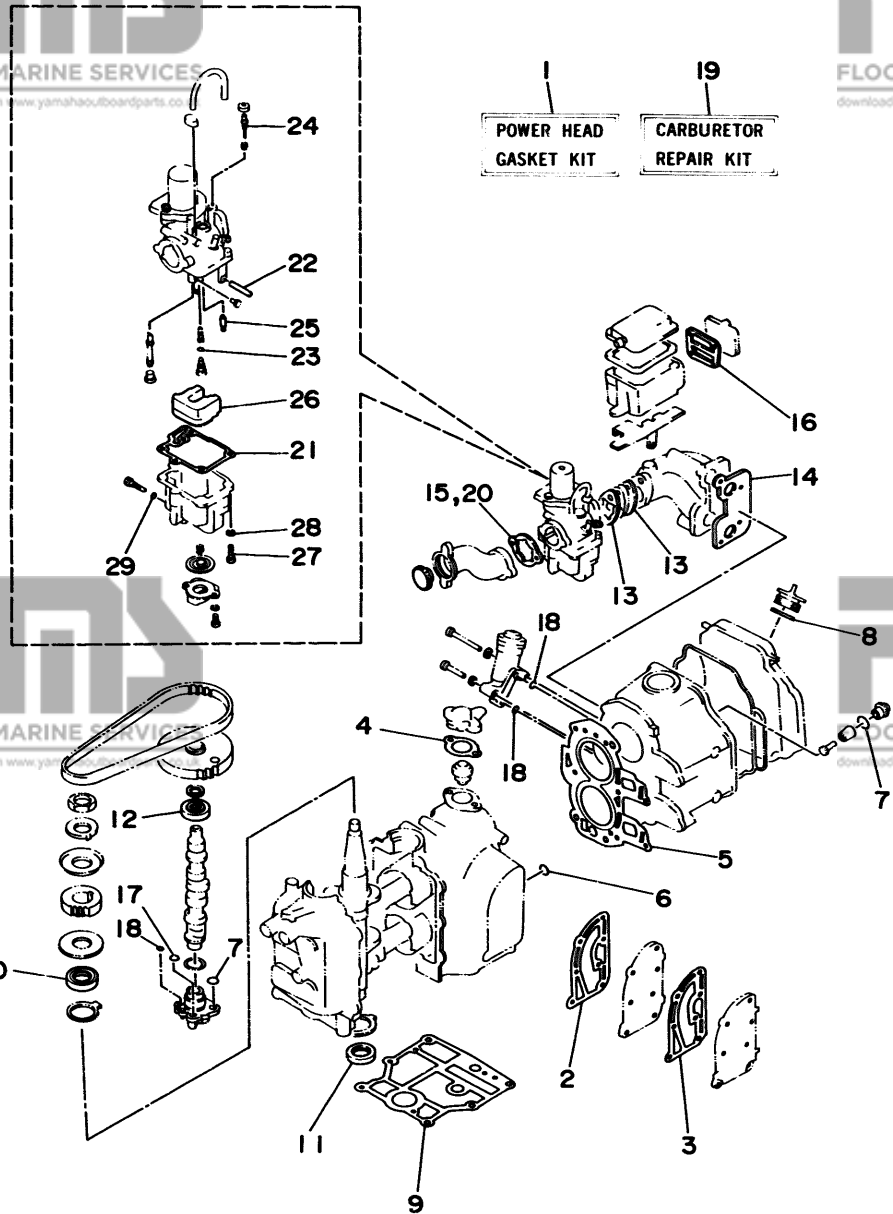


FIG. 24 REPAIR KIT 1

KITS DE REPARATION 1

REF. NO.	PART NO. NO. PIECES	DESCRIPTION DESCRIPTION	Q'TY QTE	REMARKS REMARQUES
1	6G8-W0001-03	POWER HEAD GASKET KIT POCHETTE DE JOINTS TETE MOTRICE	1	
2	6G8-41112-02	.GASKET, EXHAUST INNER COVER .JOINT, PLAQUE D'ECHAPPEMENT	1	
3	6G8-41114-00	.GASKET, EXHAUST OUTER COVER .JOINT, COUVERCLE D'ECHAPPEMENT	1	
4	6G8-12414-A0	.GASKET, COVER .JOINT, COUVERCLE	1	
5	6G8-11181-A0	.GASKET, CYLINDER HEAD 1 .JOINT, DE CULASSE 1	1	
6	93210-11M59	.O-RING .JOINT TORIQUE	1	
7	93210-13M63	.O-RING .JOINT TORIQUE	3	
8	93210-24M79	.O-RING .JOINT TORIQUE	1	
9	6G8-11351-A0	.GASKET, CYLINDER .JOINT, D'EMBASE	1	
10	93102-30M22	.OIL SEAL .JOINT SPY	1	
11	93101-25M24	.OIL SEAL .JOINT SPY	1	
12	93102-18M21	.OIL SEAL .JOINT SPY	1	
13	6G8-13646-A0	.GASKET, MANIFOLD 2 .JOINT, TUBULURE 2	2	
14	6G8-13645-00	.GASKET, MANIFOLD 1 .JOINT, TUBULURE 1	1	
15	6G8-14198-A0	.GASKET .JOINT	1	
16	6G8-15374-00	.GASKET, BREATHER .JOINT, RENIFLARD	1	
17	93210-10M61	.O-RING .JOINT TORIQUE	1	
18	93210-09M01	.O-RING .JOINT TORIQUE	3	
19	6G8-W0093-01	CARBURETOR REPAIR KIT KIT DE REPARATION CARBURATEUR	1	
20	6G8-14198-A0	.GASKET .JOINT	1	
21	6G8-14384-01	.GASKET, FLOAT CHAMBER .JOINT, CUVE DE FLOTTEUR	1	
22	647-14386-10	.PIN, FLOAT .AXE, FLOTTEUR	1	
23	654-14198-00	.GASKET .JOINT	1	
24	6G8-14323-00	.SCREW, AIR ADJUSTING .VIS DE DOSEUR D'AIR	1	
25	6G8-14392-00	.VALVE, NEEDLE .POINTEAU	1	
26	6G8-14385-00	.FLOAT .FLOTTEUR	1	
27	98503-04014	.SCREW, PAN HEAD .VIS	1	
28	92990-04100	.WASHER, SPRING .RONDELLE, GROWER	1	

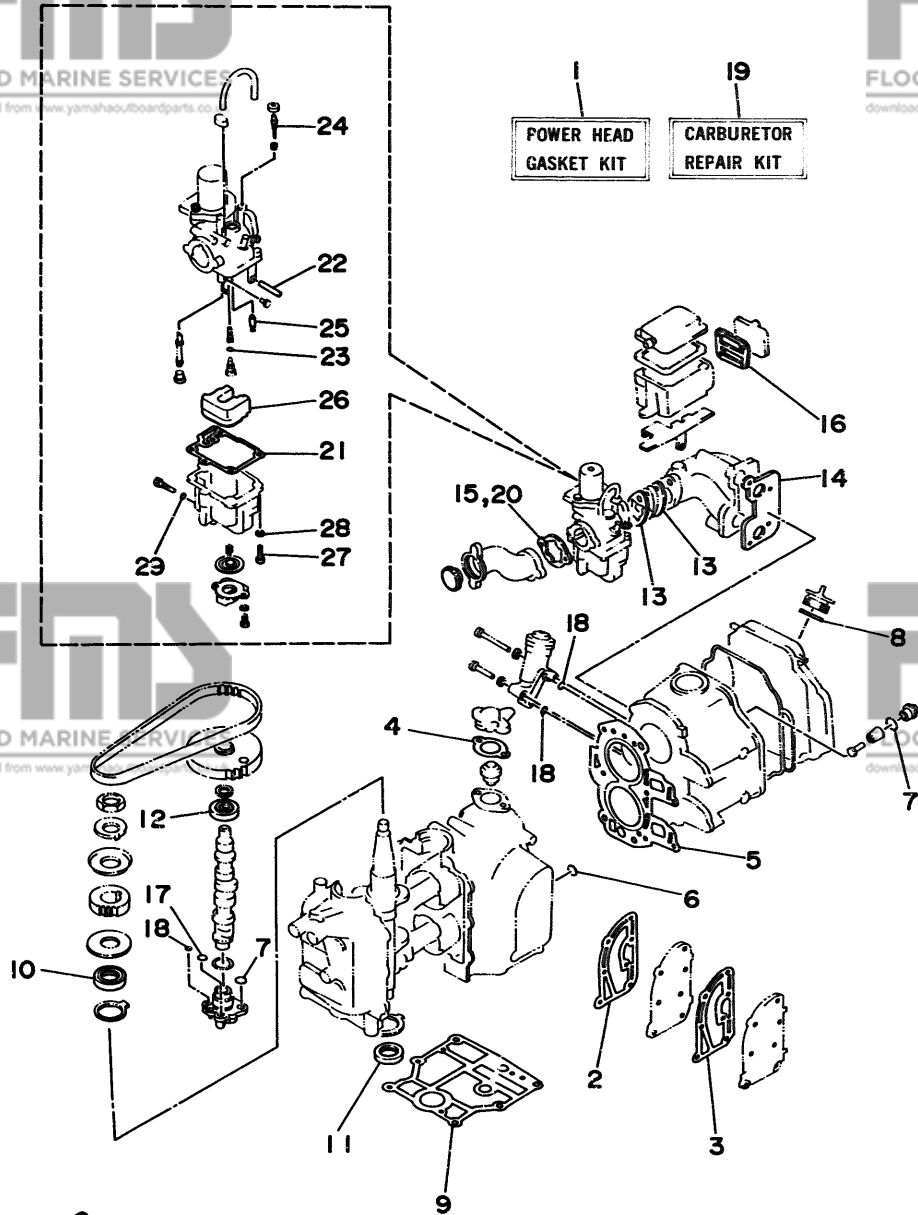


B1

FIG. 24 REPAIR KIT 1

KITS DE REPARATION 1

REF. NO.	PART NO. NO. PIECES	DESCRIPTION DESCRIPTION	Q'TY QTE	REMARKS REMARQUES
29	5Y1-14397-00	.O-RING .JOINT TORIQUE	1	



B2

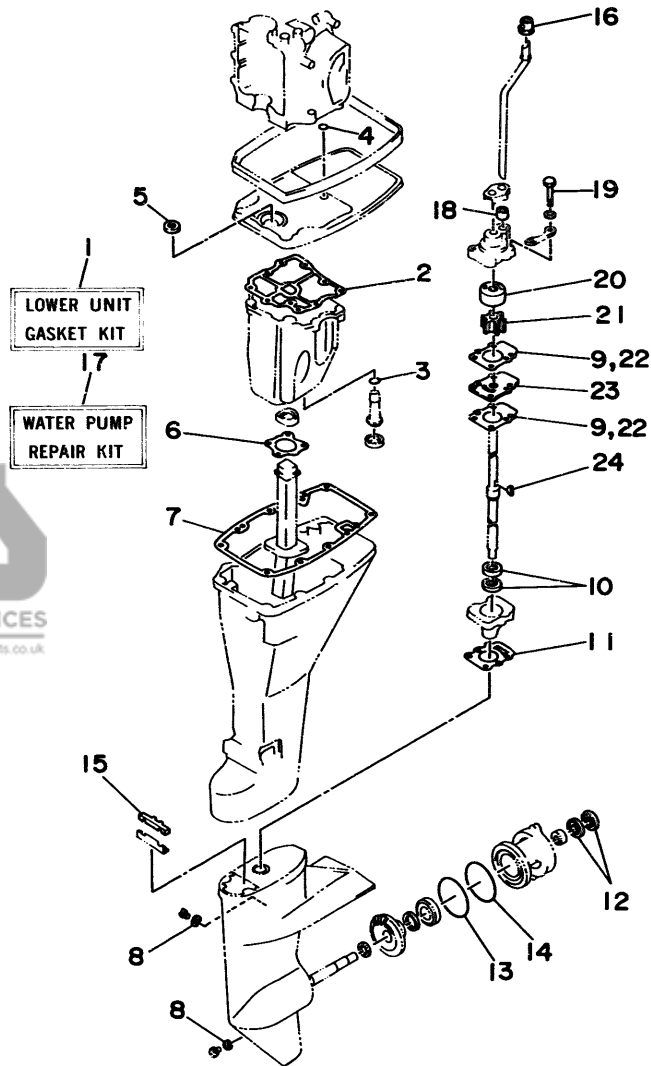


FIG. 25 REPAIR KIT 2

KITS DE PEPARATION 2

REF. NO.	PART NO. NO. PIECES	DESCRIPTION DESCRIPTION	Q'TY QTE	REMARKS REMARQUES
1	6G8-W0001-24	LOWER UNIT GASKET KIT POCHETTE DE JOINTS EMBASE	1	
2	6G8-15312-A1	.GASKET, OIL PAN .JOINT DE VENTILATEUR D'HUILE	1	
3	93210-16M64	.O-RING .JOINT TORIQUE	1	
4	93210-08M60	.O-RING .JOINT TORIQUE	1	
5	93101-13M27	.OIL SEAL .JOINT SPY	1	
6	6G8-41133-A0	.GASKET, EXHAUST MANIFOLD 1 .JOINT, PIPE D'ECHAPPEMENT	1	
7	6G8-45113-A0	.GASKET, UPPER CASING .JOINT, TUBE D'ARBRE	1	
8	90430-08020	.GASKET .JOINT	3	
9	682-44315-A0	.GASKET, WATER PUMP .JOINT, POMPE A EAU	2	
10	93101-20048	.OIL SEAL .JOINT SPY	2	
11	6G8-45315-A0	.PACKING, LOWER CASING .JOINT, BOITIER D'HELICE	1	
12	93101-17054	.OIL SEAL .JOINT SPY	2	
13	93210-74M68	.O-RING .JOINT TORIQUE	1	
14	93210-74316	.O-RING .JOINT TORIQUE	1	
15	682-45375-01	.DAMPER, SEAL .BOURRELET, CAOUTCHOUC	1	
16	626-44365-01	.DAMPER, WATER SEAL .JOINT, TUBE D'EAU	1	
17	682-W0078-01	WATER PUMP REPAIR KIT KIT DE REPARATION DE LA POMPE	1	
18	682-44365-00	.DAMPER, WATER SEAL .JOINT, TUBE D'EAU	1	
19	97095-06040	.BOLT .BOULON	4	
20	682-44322-00	.INSERT, CARTRIDGE .CUVETTE	1	
21	682-44352-01	.IMPELLER .TURBINE	1	
22	682-44315-A0	.GASKET, WATER PUMP .JOINT, POMPE A EAU	2	
23	682-44323-00	.OUTER PLATE, CARTRIDGE .PLAQUE EXTERIEURE	1	
24	90280-03024	.KEY, WOODRUFF .CLAVETTE, DEMI-LUNE	1	

PART NO. NO. PIECES	REF. NO.	PART NO. NO. PIECES	REF. NO.	PART NO. NO. PIECES	REF. NO.	PART NO. NO. PIECES	REF. NO.	PART NO. NO. PIECES	REF. NO.	PART NO. NO. PIECES	REF. NO.
6G8-W0001-03	24- 1	6G8-12111-00	3- 1	6G8-14275-01	5-31	6G8-15316-00	7-13	6G1-24304-02	9- 1	6G8-42137-01	14-22
6G8-W0001-24	25- 1	6G8-12113-00	3- 4	6G8-14286-01	5-42	6G8-15346-00	4-22	6G8-24311-00	9- 4	6G8-42147-01	14- 7
6G8-W0070-50	10- 9	6G8-12116-00	3- 3	6G8-14293-03	5-36	6G8-15347-00	4-23	6H4-24312-00	9-25	6G8-42177-00	14-24
682-W0078-01	25-17	6G8-12117-00	3- 5	6G8-14293-10	5-36	6G8-15358-00	4-16	6G8-24329-00	9- 2	6G8-42511-02-4D	12-30
6G8-W0090-30-4D	1- 1	6G8-12117-10	3- 7	6G8-14301-05	5- 1	6G8-15362-04	7-17		9-15	6G8-42512-01-94	13-25
6G8-W0090-31-4D	1- 1	30X-12118-00	3- 6	6G8-14301-10	5- 1	6G8-15363-00	1-48	6G8-24376-00	9-23	6G8-42521-10-94	12-35
6G8-W0090-32-4D	1- 1	51Y-12119-00	3- 9	664-14321-01	5-20	6G8-15368-00-94	4-18	6E5-24377-00	1-18	6G9-42521-00-94	12-35
6G8-W0093-01	24-19	6G8-12121-01	3- 2	6G8-14323-00	5-13	6G8-15369-00	4-19		16- 2	6G8-42528-00	12-25
676-W2810-01	9-27	6G8-12146-00	3-13		24-24	6G8-15371-00-94	4-21	6E5-24378-00	1-51	6G8-42534-00	12-31
6G8-W4261-00	11-29	6G8-12151-00	3-10	6G8-14323-10	5-13	6G8-15373-00	1-39	6G8-24378-00	1-53	6G8-42537-00	12-37
6G8-W4261-10	22-16	6G8-12153-00	3- 8	647-14334-00	5-11		4-35	688-24378-00	1-27	6G8-42551-00	23-33
	23-31	6G8-12158-00	3-12	6G8-14341-20	5- 9	6G8-15374-00	4-26	6G8-24410-E0	9- 8	6G8-42561-00	12- 7
6G8-11111-02-94	1-22	6G8-12159-00	3-11	6G8-14341-30	5- 9		24-16	6G8-24410-02	9- 8	6G8-42610-50-4D	10- 1
6G8-11111-03-94	1-22	6G8-12171-00	6-11	6G8-14342-24	5- 5	6G8-15376-00	4-32	6G8-24410-03	9- 8	6G8-42613-00-4D	10- 6
6G8-11133-10	1-23	6G8-12411-02	1-16	648-14343-41	5- 8	6G8-15379-00	7- 3	6G8-24411-02	9-10	6G8-42615-00	10- 2
6G8-11181-A0	1-36	6G8-12413-00-9M	1-17	648-14343-43	5- 8	6G8-15393-00	4-29	6G8-24421-00	9- 9	6G8-42628-01	10-11
	24- 5	6G8-12414-A0	1-19	6A4-14344-30	5-26	6G8-15393-10	4-29	677-24444-01	9-16	6G8-42629-01	11-31
6G8-11191-01-94	1-38		24- 4	6G8-14345-00	5- 7	6G8-15710-10	8- 1	6G8-24471-00	9-14	6G8-42651-00	10- 3
6G8-11197-00	1-46	6G8-12481-00	1-28	6G8-14349-00	5-34	6G8-15711-00	8- 2	6G8-26363-00	15-22	6G8-42652-00	10- 4
6G8-11325-00	1-44	6G8-12481-01	1-29	6G8-14357-00	5-43	6G8-15712-00	8-30	6G8-26364-00	15-23	6G8-42677-00	11-30
6G8-11351-A0	1- 6	6G8-12482-00	11-10	6G8-14368-00	5-30	6G8-15713-00	8- 4	6G8-41111-02-9M	1- 7	6G8-42677-10	22-17
	24- 9	6G8-13300-02	6-13	6G8-14379-00	5-39	6G8-15714-00	8- 3	6G8-41112-02	1- 8	6G8-42677-20	23-32
6G8-11355-00	16-29	6G8-13421-00	7-12	6G8-14379-10	5-39	6G8-15715-00	8- 7		24- 2	6G8-42678-50	10-10
6G8-11356-00	1-42	6G8-13440-00	6-21	6G8-14381-02	5- 3	6G8-15716-00	8-27	6G8-41113-01-9M	1-10	6G8-42711-01-4D	11- 1
6G8-11372-01	1-25	6G8-13442-00-94	6-20	6G8-14383-00	5-28	6G8-15719-00	8- 5	6G8-41113-02-9M	1-10	6G8-42716-00	16-10
676-11372-00	1-11	6G8-13448-00	4-36	6G8-14384-01	5- 2	6G8-15723-00	8- 6	6G8-41113-10-9M	1-10	6G8-42719-00-94	11-24
	1-26	6G8-13471-00	7-15		24-21	6G8-15726-00	8-21	6G8-41114-00	1- 9	6G8-42724-00	11- 7
	1-26	6G8-13487-00	7- 4	6G8-14385-00	5-15	6G8-15727-00	8- 9		24- 3	6G8-42724-40	22-15
	1-40	6G8-13641-01-94	4- 5		24-26	6G8-15734-00	8-25	6G8-41131-01	16-11	6G8-42724-50	23-16
6G8-11411-04	2- 1	6G8-13645-00	4- 6	647-14386-10	5- 4	6G8-15739-00	8-17	6G8-41133-A0	16-14	6G8-42725-10	11- 8
6G8-11416-00	2- 4		24-14		24-22	6G8-15742-00	8-33		25- 6	6H4-42725-00	14-10
6G8-11416-10	2- 4	6G8-13646-A0	4- 1	6G8-14392-00	5-14	6G8-15746-00	8-23	6G8-41137-03-94	16- 1	6G8-42727-00	11-11
6G8-11416-20	2- 4		24-13		24-25	6G8-15747-00	8-26	6G8-41138-00	16-12	6G8-42738-00-94	11-23
6G8-11426-00	2- 8	6G8-13647-00	4- 4	5H0-14397-00	5-10	6F5-15752-00	8-12	6G8-41212-00	15-24	6G8-42741-00-4D	16-24
6G8-11536-00-94	6- 2	6G8-1410A-01	5-24	5Y1-14397-00	5-27	6F5-15753-00	8-13	6G8-41237-01	15-30	6G8-42748-00	11-20
6G8-11537-00-94	6- 6	389-14137-00	5-44		24-29	6G8-15754-00	8- 8	6G8-41238-01	15-27	6G8-42752-00	19-15
6G8-11557-00	6- 3	1HV-14147-00	5-19	6G8-14457-00	5-45	6G1-15755-00	8-34	6G8-41241-01	15-28	6G8-42755-00	11-32
6G8-11575-00	7- 1	6G8-14197-01	5-16	6G8-14478-00	4-12	6G8-15767-00	8-24	6G8-41242-01	15-31	6G8-42771-00-4D	16-26
6G8-11587-00	6- 5	6G8-14198-A0	4-13	6G8-14479-01-94	4-11	6G8-15768-00	8-10	6G8-41654-00	15-20	6G8-42791-00	16-25
6G8-11610-02	2-10		24-15	6G8-14479-02-94	4-11	6G8-15770-00	8-38	6G8-41661-00-98	15-15	6G8-42792-00	16-27
6G8-11610-12	2-10		24-20	6G8-14479-10-94	4-11	6G8-15771-00	8-39	6G8-41662-00-98	15-16	6G8-42811-00-94	11-14
6G8-11610-22	2-10	646-14198-01	5-33	6G8-14493-00	15-32	6G8-15772-00	8-42	6G8-41663-00	15-17	6G8-42815-00	11-12
6G8-11631-03-96	2- 9	654-14198-00	5- 6	6G8-14827-00	5-25	6G8-15779-00	8-31	6G8-42111-01-4D	14- 1	6G8-42831-00	11-13
634-11633-00	2-11		24-23	6G8-14997-00	5-12	689-15779-01	8-35	6G8-42112-02-4D	14- 2	6G8-43111-03-4D	12- 1
6G8-11635-03	2- 9	646-14212-00	5-21	6G8-15100-05-94	1- 2	6G8-15789-00	8-32	6G8-42113-01-4D	14-25	6G8-43112-04-4D	12- 2
6G8-11636-03	2- 9	6G8-14216-00	5-10	6G8-15311-02-0D	7- 7	6F5-15791-00	8-14	6G8-42119-00	14-21	6J8-43113-01	12- 2
6G8-11650-03	2- 5	6G8-14217-00	5-35	6G8-15312-A1	7- 8	6G8-15794-00	8-22	6G8-42126-01-94	14-15	648-43114-01	12- 6
6G8-11654-00	2- 6	6G8-14229-00	5-41		25- 2	646-24251-02	9- 5	6G8-42129-00	15- 2	6E7-43116-00	12- 5

downloaded from www.yamahaboutboardparts.co.uk

downloaded from www.yamahaboutboardparts.co.uk

PART NO. NO. PIECES	REF. NO.	PART NO. NO. PIECES	REF. NO.	PART NO. NO. PIECES	REF. NO.	PART NO. NO. PIECES	REF. NO.	PART NO. NO. PIECES	REF. NO.	PART NO. NO. PIECES	REF. NO.
616-43118-00-4D	12- 3	682-44328-00	17-23	6G8-45501-10	17-25	689-81847-11	20- 5	6G8-85540-22	21- 1	90202-06007	14-19
6G8-43131-00	12-15	682-44352-01	17-13	6G8-45501-20	17-25	689-81850-12	20- 2	6G8-85542-00	21- 9	90202-20M33	14-30
6G5-43145-00	12-20		25-21	6G8-45536-00	17-24	689-81857-11	20-12	6G8-85550-01	19- 1	90206-08M13	11-19
6G8-43160-01	13- 5	6G8-44361-10	18-13	6G8-45551-00	17-26	6G8-81870-00	22- 6	6G8-85550-11	19- 1	90206-10M15	12-13
6G8-43181-00	12- 8	6G8-44361-20	18-13	6G8-45560-00	17-30	6G8-81916-00	21-13	6G8-85561-00-94	19- 3	90206-12052	15- 7
6G8-43311-14-4D	12-22	6G9-44361-00	18-13	6G8-45571-00	17-32	6J0-81941-10	22- 1	6G8-85570-21	21- 4	90206-20M14	14-27
6G9-43311-03-4D	12-22	626-44365-01	18-14	626-45577-00-01	17-31		23- 1	6G8-85580-02	19- 5	90209-45M09	12-36
682-43318-01	12- 9		25-16		17-34	6G8-81948-02	21-28	90101-08M88	12-67	90243-04M00	12- 4
6G8-43319-02-94	13-22	682-44365-00	17-11	626-45577-00-03	17-31	6G8-81949-00	21-38	90105-06M33	7-14	90249-06M20	13-11
682-43339-01	12-14		25-18		17-34	6G1-81952-00	22- 2		16-13	90250-05010	17-38
6G8-43373-00	12-28	6G8-44367-00	16- 4	626-45577-00-05	17-31		23- 2	90105-08M36	1-32	90266-04M04	10- 5
682-43611-01	13-16	6G8-44391-00	11- 9		17-34	6G8-81953-00	22- 3	90105-08M37	1-31	90269-02M09	14-23
682-43614-00	13-14	6G8-44517-00-94	12-41	6G8-45587-00-10	17-27		23- 3	90105-10M30	13-26	90280-03M01	6- 7
682-43615-01	13-15	6G8-44518-00	12-51	6G8-45587-00-14	17-27	6G8-81960-10	21-21	90109-06M25	12-10	90280-03024	17-14
6G8-43616-00	13- 9	6G8-44521-00	12-54	6G8-45587-00-18	17-27	6G8-82105-00	22- 7	90116-06M15	4- 7		25-24
6G8-43617-00	13-13	6G8-44522-00	12-49	6G8-45587-00-35	17-27		23-15	90116-06M26	5-29	90280-16053	19-19
6G8-43631-02	13- 6	6G8-44526-00	12-42	6G8-45587-00-50	17-27	6G8-82117-00	22- 8	90116-08M19	16-31	90340-08M04	17- 4
682-43641-00	13-10	6G8-44532-00	12-55	6G8-45611-00	17-35		23- 6	90116-08M28	12-47	90386-05M54	15-11
682-43659-00	13-19	6G8-44533-00	12-52	682-45631-00	17-37	6G8-82127-00	21-17	90119-06M12	1- 5	90386-08M49	11-16
682-43673-00	13-18	6G8-44551-01-4D	12-56	648-45633-00	17-39	6G8-82149-00	16-16	90119-08M18	1- 4	90386-12069	15- 6
6G8-44111-00	15-33	6G8-44552-02-4D	12-57	650-45635-00	17-36	6G8-82150-00	22- 9	90119-05M05	23-27	90386-20M94	13- 8
682-44116-00	15-38	682-44555-00	12-64	6G8-45941-00	18-18	682-82151-00	23- 7	90157-06M04	16-28	90386-22M92	12-16
682-44117-00	15-39	6G8-44557-00	12-63	6G8-45943-00	18-18		22-10	90159-05M06	15-21	90386-22M93	12-17
6G8-44121-00-98	15- 1	6G8-45111-12-4D	16-15	6G8-45945-00	18-18		23- 8	90159-06M05	4-17	90386-33M56	14-26
6G8-44123-00	15- 3	6G9-45111-02-4D	16-15	6G8-45947-00-EL	18-18	6G8-82370-20	21- 8	90170-06015	15-42	90386-37M47	12-38
6G8-44125-00	8-43	6G8-45113-A0	16-20	6G8-45986-00	18-15	6G8-82504-00	21-16	90170-12066	19-20	90386-37M48	12-40
	22-18		25- 7	6G8-45987-02	18-19	6G8-82510-00	23-24	90170-24M09	6- 4	90387-06M09	13- 1
	23-38	663-45119-00	12-24	6G8-46241-00	16- 1	6G8-82522-00	21-15	90171-10M07	18-16	90387-06M15	11- 5
682-44132-00	15-35		14- 6	6G8-48311-02	15-12	6H3-82540-00	22-11	90179-08M07	17-29	90387-06M20	13-17
6G8-44141-00	15-36	6G8-45127-00	7- 9	6G8-48311-11	15-12		23- 9	90185-05002	18-10	90387-06M58	15-26
6G8-44143-10	15-41	6G8-45135-00	16- 9	6G8-48321-01	15-13	6G8-82550-10	21-19	90185-20M03	14-29	90387-06M70	21-24
6G9-44143-00	15-41	6G8-45151-00	16-19	6G8-48321-10	15-13	6G8-82550-20	21-19	90185-22M11	12-19	90387-06M71	19-18
682-44147-00	17-50	6G8-45211-20-4D	16-30	6G8-48351-51	23-37	6G8-82554-00	22-12	90201-06M00	2- 7	90387-06M72	11-18
6G8-44150-00	17-49	6G8-45214-00	18- 7	6G8-81323-00	19-16		23-10	90201-06M31	11- 6	90387-06M73	23-34
6G8-44150-10	17-49	6G8-45215-00	18- 8	6G8-81336-00	1-41	682-82556-00	21-37		11-17	90387-13M56	3-14
6G8-44150-20	17-49	6G8-45251-00	18- 4	6G8-81337-00	19-14		23-21		12-27	90430-08020	17- 5
6G8-44159-00	15-34	6G8-45300-06-4D	17- 1	6G8-81800-11	20- 1	6G8-82570-02	23-18	90201-06M94	6-10		25- 8
682-44176-00	17-51	6G8-45300-16-4D	17- 1	689-81807-12	20-11	6G8-82571-01	23-19		15-10	90445-05ME6	11-26
6G8-44191-00	14- 4	6G8-45300-26-4D	17- 1	689-81809-11	20- 3	6G8-82575-00	21-36	90201-06049	14-18	90445-09M00	9-26
682-44300-01	17- 8	6G8-45311-04-4D	17- 2	689-81810-11	20- 4	688-82575-01	23-20	90201-08MA4	12-70	90445-09065	4-31
682-44312-00	17- 9	6G8-45315-A0	17-19	689-81811-11	20- 6	6G8-82580-00	23-13	90201-08M12	12-48		9- 6
682-44315-A0	17-15		25-11	689-81812-11	20- 8	663-82581-01	23-22	90201-10M76	13-28		9-24
	25- 9	6G8-45331-00-5B	17-17	689-81813-10	20- 9	688-82586-50	23-17	90201-12472	19-21	90445-09105	9-21
	25-22	6G8-45361-01-4D	17-41	689-81820-11	20-10	6G8-82590-00	23-14	90201-13201	6- 8	90445-09163	11-10
682-44322-00	17-12	682-45375-01	18-11	6G8-81822-40-94	20-19	6G8-83582-01	21-18	90201-17682	17-33	90445-09220	1-28
	25-20		25-15	689-81826-10	20-14		23-23	90201-20M00	14-28		1-30
682-44323-00	17-16	682-45376-01	18-12	6F5-81830-11	20-13	6G8-85510-01	19- 2	90201-22428	12-18	90445-09225	9-21
	25-23	6G8-45501-00	17-25	689-81840-11	20- 7	6G8-85525-00	21-12	90201-31MA3	18-20	90445-09252	11-10

downloaded from www.yamahaboutboardparts.co.uk

downloaded from www.yamahaboutboardparts.co.uk

downloaded from www.yamahaboutboardparts.co.uk

downloaded from www.yamahaboutboardparts.co.uk

downloaded from www.yamahaboutboardparts.co.uk

PART NO. NO. PIECES	REF. NO.
90445-11M38	1-52
90445-11M52	4-30
90445-11M66	1-21
90445-20ME5	15-14
90445-24M00	15-14
90446-10M02	21-20
90460-38M06	12-50
90461-06M01	4-34
90465-08028	4-33
	4-34
	9-28
	21-32
90465-13M11	21-35
90467-08004	9- 7
	9-22
90480-09M35	11- 2
90480-13M24	21-25
90480-15M31	19-17
90480-19031	11-25
90480-25161	21- 5
90501-10071	12-66
90501-12M40	3-15
90501-12M41	3-16
90501-14M06	17-40
90501-18M00	12-26
90501-23M42	14-16
90506-29M16	13-21
90508-18M33	13- 7
90890-44373	8-18
91490-16010	11-33
	15- 4
	15-46
91490-16015	8-29
91490-25020	15-37
91490-30030	18-17
91690-30012	12-65
91790-05020	15-44
92990-04100	5-23
	5-3E
	23-26
	24-28
92990-04200	4-25
	9-13
92990-05100	8-20
	19- 7
	23-29
92990-05200	15- 5
92990-05600	4-15

NUMERICAL INDEX
INDEX NUMERIQUE

PART NO. NO. PIECES	REF. NO.
92990-05600	7- 6
	14- 9
	15-45
	19- 8
	23-30
92990-06200	8-28
	10- 8
92990-06300	18- 6
92990-06600	1-13
	1-15
	1-35
	4- 3
	4- 9
	6-19
	6-24
	6-26
	8-41
	9-19
	9-30
	11-22
	11-28
	12-12
	12-34
	12-44
	12-59
	12-61
	13- 4
	14-12
	14-14
	15- 9
	15-19
	16- 8
	16-18
	17-22
	17-48
	19-10
	19-12
	21- 3
	21- 7
	21-11
	21-23
	21-27
	21-31
	21-34
	22- 5
	22-14
	23- 5
	23-12

PART NO. NO. PIECES	REF. NO.
92990-06600	23-36
92990-08600	8-37
	12-46
	12-68
	16-23
	16-33
	18- 3
	20-16
	20-18
92995-06100	5-18
	7-11
	8-16
	9-18
	21-30
93101-13M27	16- 5
	25- 5
93101-17054	17-45
	25-12
93101-20048	17-18
	25-10
93101-25M24	2- 3
	24-11
93102-18M21	6-12
	24-12
93102-30M22	2- 2
	24-10
93210-08M60	16- 3
	25- 4
93210-09M01	6-16
	6-22
	24-18
93210-10M61	6-15
	24-17
93210-11M59	1-37
	24- 6
93210-12M62	7- 2
93210-13M63	1-47
	6-17
	24- 7
93210-16M64	7-16
	25- 3
93210-20M65	9-20
93210-24M79	1-49
	24- 8
93210-27ME3	6-14
93210-37M67	12-39
93210-74M68	17-46
	25-13

PART NO. NO. PIECES	REF. NO.
93210-74316	17-42
	25-14
93306-00518	17-43
93315-213V4	17- 7
93315-317U2	17-44
93332-00005	17- 6
93341-313U3	17-28
93430-04M03	23-35
93450-09M01	1-24
93450-10M04	18-21
93450-15023	2-12
93604-08062	17- 3
93605-15065	12-32
93606-12019	16- 6
	16-21
	16-34
	17-20
	18- 1
93700-06M03	12-23
	14- 5
94701-00282	1-50
95023-06025	19- 4
95303-04600	15-29
95303-08700	8-11
95380-05600	23-28
95380-06600	13-24
95380-06700	4- 2
	4-10
	10- 7
	12-62
	13- 3
	14-20
	15-43
	21-26
95380-08600	16-32
95380-10700	13-27
95680-06100	12-11
95780-08300	12-53
	12-69
95895-06020	18- 5
97013-06012	9-29
	15-40
	21-33
	22- 4
	22-13
	23- 4
	23-11
97013-06035	1-34

PART NO. NO. PIECES	REF. NO.
97013-08025	20-15
97090-08035	18- 2
97095-06012	8-40
	12-43
	16-17
97095-06016	6- 9
	11-15
	11-21
	11-27
	15- 8
	15-18
97095-06020	16- 7
	17-47
	21- 2
	21-10
	21-29
97095-06025	1-12
	6-18
	12-29
	14-11
	21- 6
	21-22
97095-06030	1-14
	6-25
	11- 3
	12-33
	15-25
97095-06040	14-13
	25-19
97095-06045	4- 8
	12-58
	17-21
97095-06095	12-60
97095-06135	13- 2
97313-05012	8-19
97313-06010	7-10
97313-06040	11- 4
97313-06050	6-23
97313-08030	8-36
97315-06025	8-15
97395-05016	14- 8
97395-08016	20-17
97395-08030	12-45
97395-08040	16-22
97580-06030	14-17
97595-06520	1-20
	1-43
	9- 3

PART NO. NO. PIECES	REF. NO.
97780-40112	4-20
	4-24
	4-27
	17-10
	17-52
97780-50110	5-32
97890-05006	9-12
98503-04014	24-27
	4-28
	5-37
98580-04016	5-22
98580-05012	7- 5
	19- 6
98580-05016	4-14
98580-05525	1-45
98580-06016	13-23
98580-06018	5-17
98580-06020	19-11
98580-06025	9-17
	19- 9
98680-05525	18- 9
98780-03008	9-11
98780-05016	14- 3
98813-03100	5-40
98980-04008	23-25
98980-06008	21-14
99080-05600	13-12
	13-20
99510-08012	19-13
99510-10114	1- 3
	1-33