

PARTS CATALOGUE

F8B '93 (6J7)
F9.9B'93 (6G9)

2R6G9-300E1

A1

- Fig. 1
- Fig. 2
- Fig. 3
- Fig. 4
- Fig. 5
- Fig. 6
- Fig. 7
- Fig. 8
- Fig. 9
- Fig. 10
- Fig. 11
- Fig. 12
- Fig. 13
- Fig. 14
- Fig. 15
- Fig. 16
- Fig. 17
- Fig. 18
- Fig. 19
- Fig. 20
- Fig. 21
- Fig. 22
- Fig. 23
- Fig. 24
- Fig. 25
- Fig. 26
- Fig. 27
- Fig. 28
- Fig. 29
- Fig. 30

| | |
|--|----|
| CYLINDER. CRANKCASE | A3 |
| CRANKSHAFT. PISTON | A4 |
| VALVE | A5 |
| INTAKE | A6 |
| CARBURETOR | A7 |
| OIL PUMP | B1 |
| OIL PAN | B2 |
| STARTER | B3 |
| FUEL | B4 |
| FUEL TANK | B5 |
| TOP COWLING | B6 |
| BOTTOM COWLING | B7 |
| BRACKET 1 | C1 |
| BRACKET 2 | C2 |
| STEERING | C3 |
| CONTROL | C4 |
| UPPER CASING | C5 |
| LOWER CASING. DRIVE 1 | C6 |
| LOWER CASING. DRIVE 2 | C7 |
| GENERATOR | D1 |
| ELECTRIC PARTS | D2 |
| ELECTRIC MOTOR (F8BEM/F8BE/F9.9BEM/F9.9BE MODEL) | D3 |
| GENERATOR (F8BEM/F8BE/F9.9BEM/F9.9BE MODEL) | D4 |
| ELECTRIC PARTS 1 (F8BEM/F9.9BEM MODEL) | D5 |
| ELECTRIC PARTS 2 (F8BE/F9.9BE MODEL) | D6 |
| REMOTE CONTROL | D7 |
| REMOTE CONTROL ASSY | E1 |
| OPTIONAL PARTS | E2 |
| REPAIR KIT 1 | E3 |
| REPAIR KIT 2 | E4 |
| NUMERICAL INDEX | |

This Parts Catalogue is related to the parts in use for the Yamaha outboard motor F8B'93 (6J7)/F9.9B'93(6G9). When you are ordering replacement parts for the F8B'93(6J7)/F9.9B'93(6G9), refer to this Parts Catalogue and quote both part numbers and part names correctly.

1. Modifications or additions which have been made after issue of the Parts Catalogue will be announced in the Yamaha Parts News.
It is advisable that according to the Yamaha Parts News you make necessary corrections to the Parts Catalogue on hand to keep it up-to-date.

2. Abbreviations

The following abbreviations are used in this Parts Catalogue.

- UR Use size (thickness) and/or number as required.
- UN Use as many as you need.
- AP Alternate Parts
- STD Standard
- O/S Over Size

3. Parts, which are to be supplied in the form of assemblies, are listed with an indentation of one letter's space, and a dot (.) is put against the name of each part.

EXAMPLE

- CARBURETOR ASS'Y
- . JET, pilot
- . NOZZLE, main

4. Indication of No. of constituent parts for assembly.

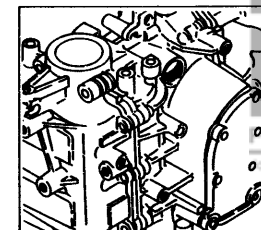
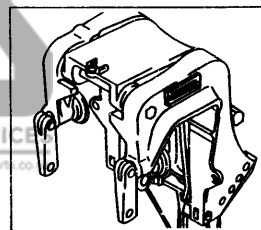
The numeral appearing to the right of each constituent part under the description indicates the quantity of such parts for each individual assembly unit.

EXAMPLE

| Part No. | Description | Q'ty | Remarks |
|-----------------|----------------------|------|---------|
| 6E0-85500-70 | C.D.I. MAGNETO ASS'Y | 1 | |
| 6E0-85550-70 | . ROTOR ASS'Y | 1 | |
| 6E0-15723-00-94 | . . PULLEY, starter | 1 | |

5. Initial Serial No. and Color Code

| Engine Serial No. | Initial Serial No. | Color Code |
|-------------------|--------------------------|--------------------------|
| F8BM | S : 000274 and following | L : 301001 and following |
| F8BE | S : 100204 and following | L : 400626 and following |
| F8BEM | S : 200121 and following | L : 500441 and following |
| F9.9BM | S : 008120 and following | L : 305428 and following |
| F9.9BE | S : 100901 and following | L : 401390 and following |
| F9.9BEM | S : 200227 and following | L : 500260 and following |



| Color Code | Color Name | Abbreviate |
|------------|----------------------|------------|
| EJ | METALLIC MARINE BLUE | MMB |

Fig. 1 CYLINDER. CRANKCASE

| Ref.No. | Parts No. | Description | Q'ty | Ref.No. | Parts No. | Description | Q'ty |
|---------|-----------------|-----------------------------|------|-------------|--|--|------|
| 1 | 6G8-W0090-30-EJ | CRANK CYLINDER ASSY | 1 | 27 | 6G8-12481-00 | PIPE 1 | 1 |
| 2 | 6G8-15100-05-94 | CRANKCASE ASSY | 1 | 28 | 90105-08M37 | BOLT, washer based | 3 |
| 3 | 99510-10114 | PIN, dowel | 2 | 29 | 90105-08M36 | BOLT, washer based | 3 |
| 4 | 90119-08M18 | BOLT, with washer | 4 | 30 | 99510-10114 | PIN, dowel | 2 |
| 5 | 90119-06M12 | BOLT, with washer | 6 | 31 | 97013-06035 | BOLT | 2 |
| 6 | 6G8-11351-A0 | GASKET, cylinder | 1 | 32 | 92990-06600 | WASHER, plate | 2 |
| 7 | 6G8-41111-02-9M | INNER COVER, exhaust | 1 | 33 | 6G8-11181-A0 | GASKET, cylinder head 1 | 1 |
| 8 | 6G8-41112-02 | GASKET, exhaust inner cover | 1 | 34 | 93210-11M59 | O-RING | 1 |
| 9 | 6G8-41114-00 | GASKET, exhaust outer cover | 1 | 35 | 6G8-11191-01-94 | COVER, cylinder head 1 | 1 |
| 10 | 6G8-41113-01-9M | OUTER COVER, exhaust | 1 | 36 | 6G8-81336-00 | GROMMET | 2 |
| 11 | 97313-06025 | BOLT | 2 | 37 | 6G8-15373-00 | PIPE, breather | 1 |
| 12 | 92990-06600 | WASHER, plate | 2 | 38 | 676-11372-00 | NIPPLE, hose | 1 |
| 13 | 97313-06030 | BOLT | 5 | 39 | 6G8-11356-00 | SEAL, cylinder 2 | 1 |
| 14 | 92990-06600 | WASHER, plate | 5 | 40 | 97313-06020 | BOLT | 4 |
| 15 | 6G8-12411-02 | THERMOSTAT | 1 | 41 | 92990-06600 | WASHER, plate | 4 |
| 16 | 6G8-12413-00-9M | COVER, thermostat | 1 | 42 | 6G8-11325-00 | ANODE | 1 |
| 17 | 6E5-24377-00 | PIPE, joint 3 | 1 | 43 | 98580-05525 | SCREW, pan head | 1 |
| 18 | 6G8-12414-A0 | GASKET, cover | 1 | 44 | 6G8-11197-00 | PLUG, blind | 1 |
| 19 | 97313-06020 | BOLT | 2 | 45 | 93210-13M63 | O-RING | 1 |
| 20 | 92990-06600 | WASHER, plate | 2 | 46 | 6G8-15363-00 | PLUG, oil | 1 |
| 21 | 90445-11M66 | HOSE | 1 | 47 | 93210-24M79 | O-RING | 1 |
| 22 | 6G8-11111-02-94 | HEAD, cylinder 1 | 1 | 48 | 94701-00282 | PLUG, spark (NGK CR6HS) (F9.9B Model) | 2 UR |
| 23 | 6G8-11133-10 | .GUIDE, intake valve | 4 | | | | |
| 24 | 93450-09M01 | .CIRCLIP | 4 | 94701-00300 | PLUG, spark (NGK CR5HS) (F8B Model) | 2 UR | |
| 25 | 676-11372-00 | .NIPPLE, hose | 1 | | | | |
| 26 | 6G8-11372-01 | .NIPPLE, hose | 1 | | | | |

CRANK CYLINDER ASS'Y
(Ref. No. 2 to 5, 7 to 47
Fig. 2, Ref. No. 1 to 12
Fig. 3, Ref. No. 1 to 16)

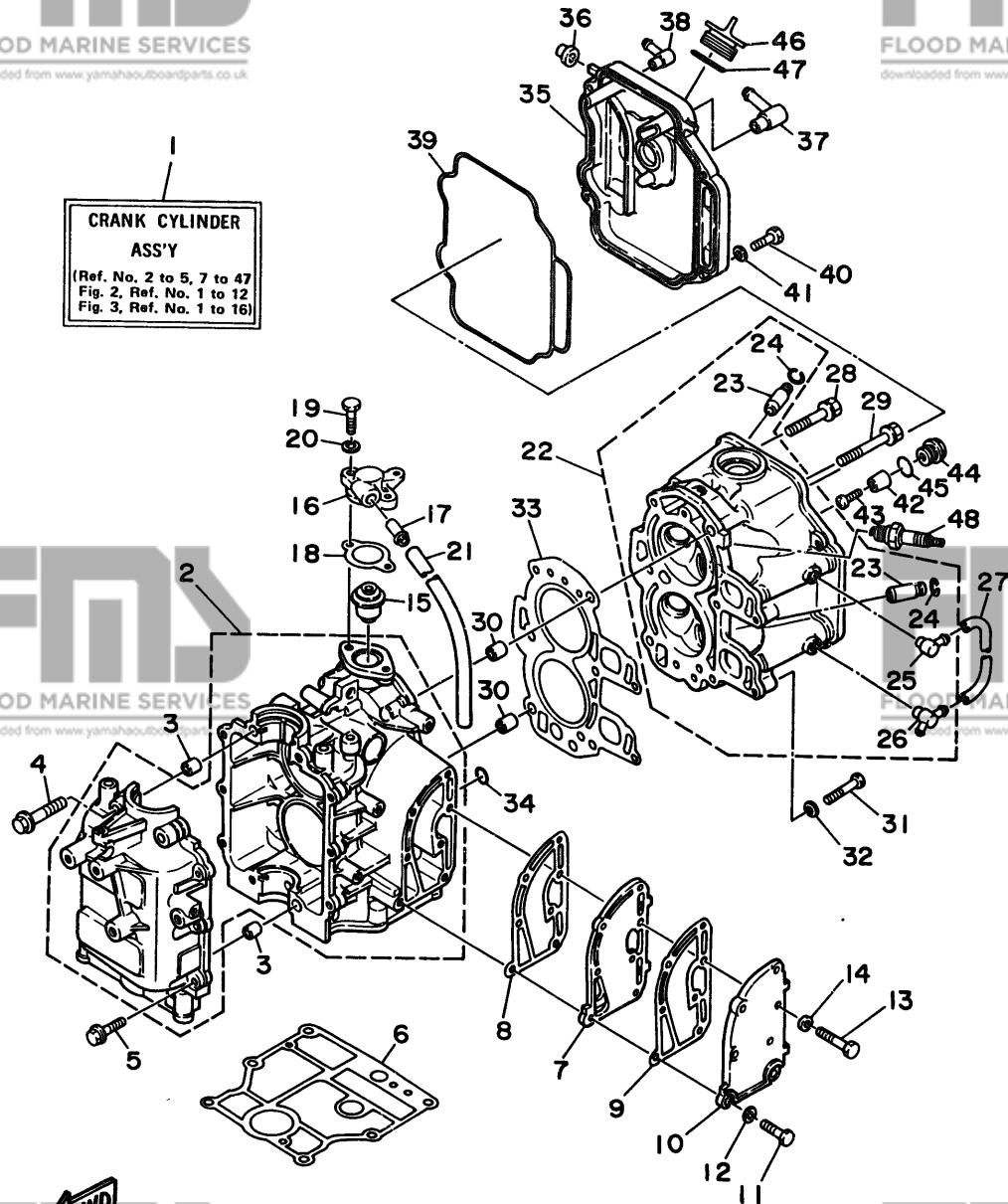


Fig. 2 CRANKSHAFT. PISTON

| Ref.No. | Parts No. | Description | Q'ty | Ref.No. | Parts No. | Description | Q'ty |
|---------|--------------|-------------------------------------|------|---------|-----------------|------------------------------|------|
| 1 | 6G8-11411-04 | CRANKSHAFT | 1 | 7 | 90201-06M00 | WASHER, plate | 4 |
| 2 | 93102-30M22 | OIL SEAL | 1 | 8 | 6G8-11426-00 | PLANE BEARING, crankshaft 1 | 2 |
| 3 | 93101-25M24 | OIL SEAL | 1 | 9 | 6G8-11631-03-96 | PISTON (STD) | 2 |
| 4 | 6G8-11416-00 | PLANE BEARING, crankshaft 1 (Brown) | 4 UR | | 6G8-11635-03 | PISTON (0.25MM O/S) | 2 AP |
| | 6G8-11416-10 | PLANE BEARING, crankshaft 1 (Black) | 4 UR | 10 | 6G8-11636-03 | PISTON (0.50MM O/S) | 2 AP |
| | 6G8-11416-20 | PLANE BEARING, crankshaft 1 (Blue) | 4 UR | | 6G8-11610-02 | PISTON RING SET (STD) | 2 |
| 5 | 6G8-11650-03 | CONNECTING ROD ASSY | 2 | | 6G8-11610-12 | PISTON RING SET (0.25MM O/S) | 2 AP |
| 6 | 6G8-11654-00 | BOLT, connecting rod | 4 | | 6G8-11610-22 | PISTON RING SET (0.50MM O/S) | 2 AP |
| | | | | 11 | 634-11633-00 | PIN, piston | 2 |
| | | | | 12 | 93450-15023 | CIRCLIP | 4 |

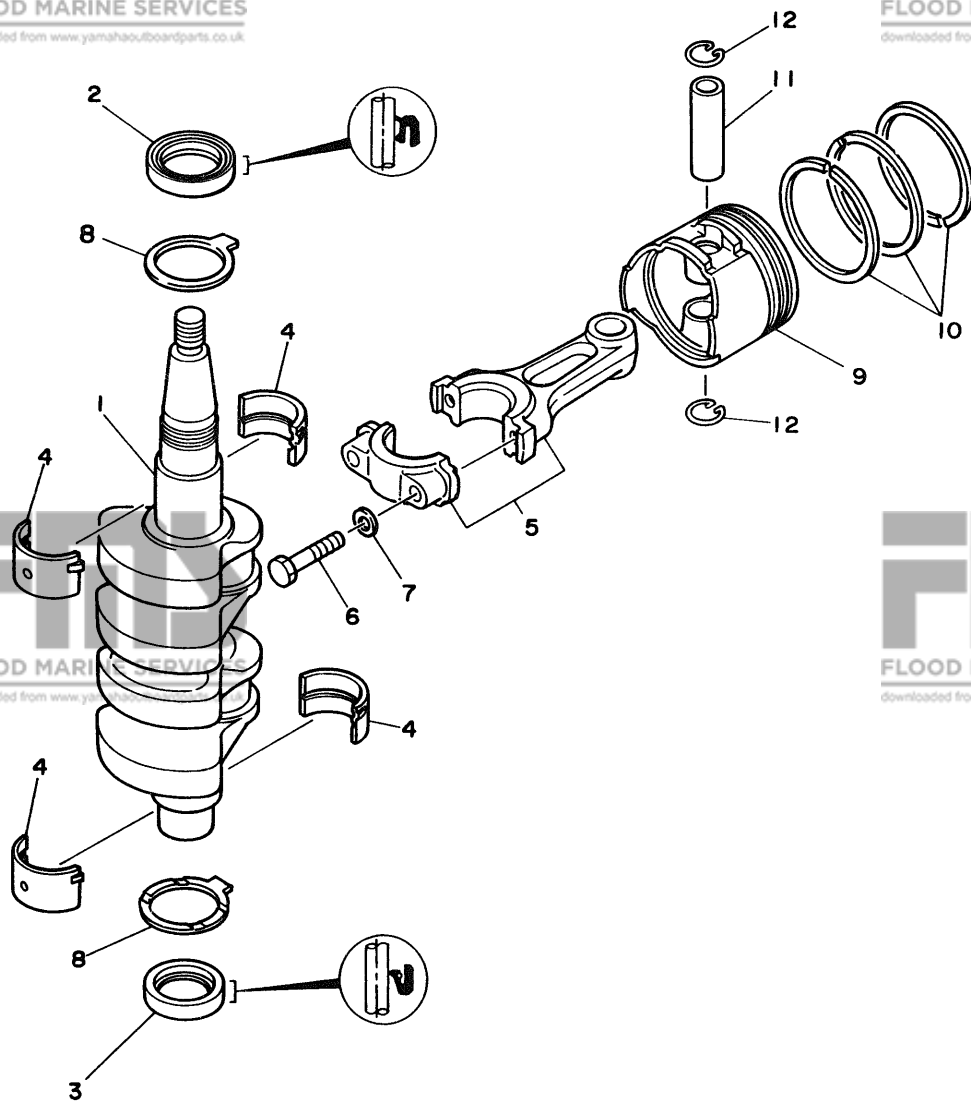
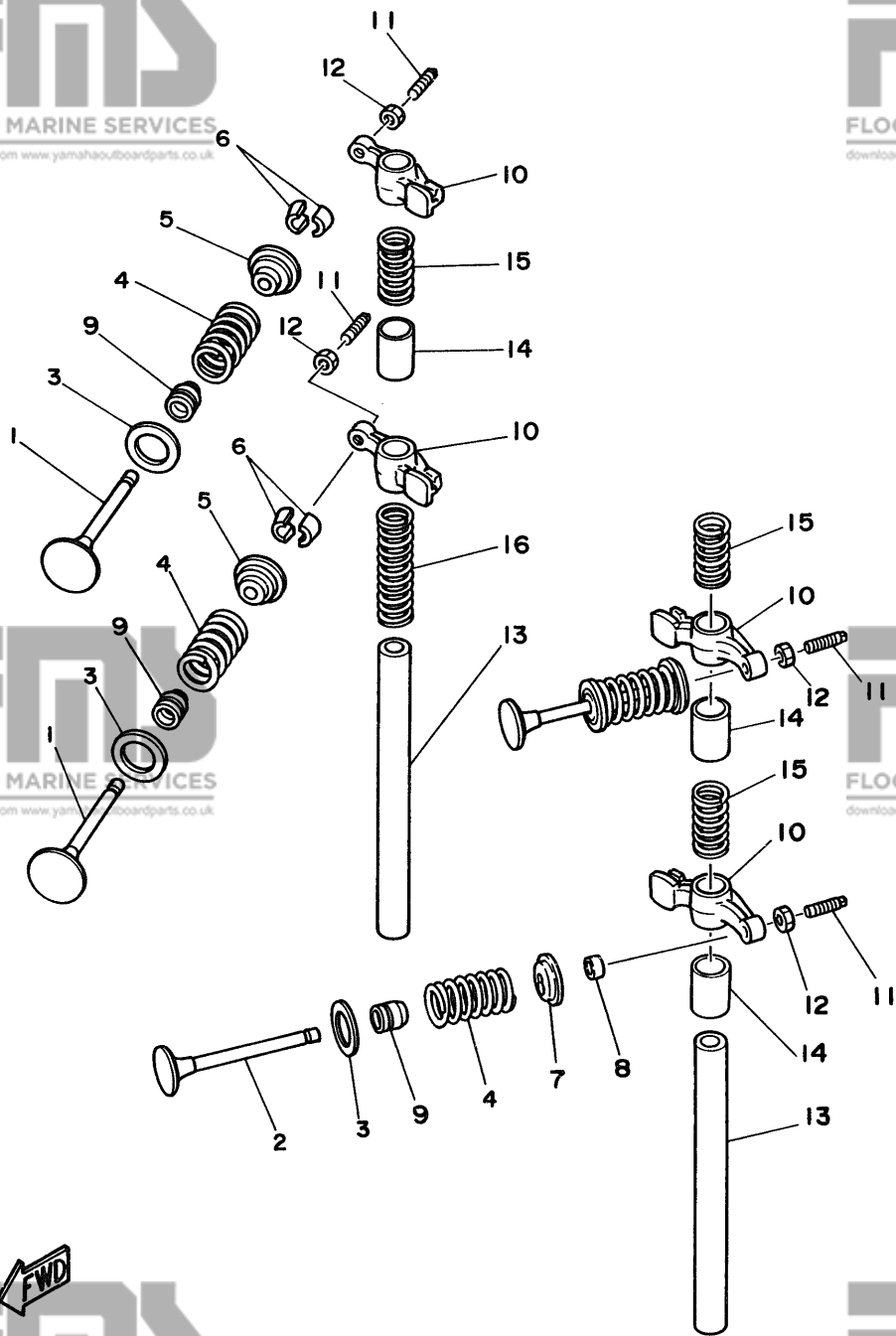


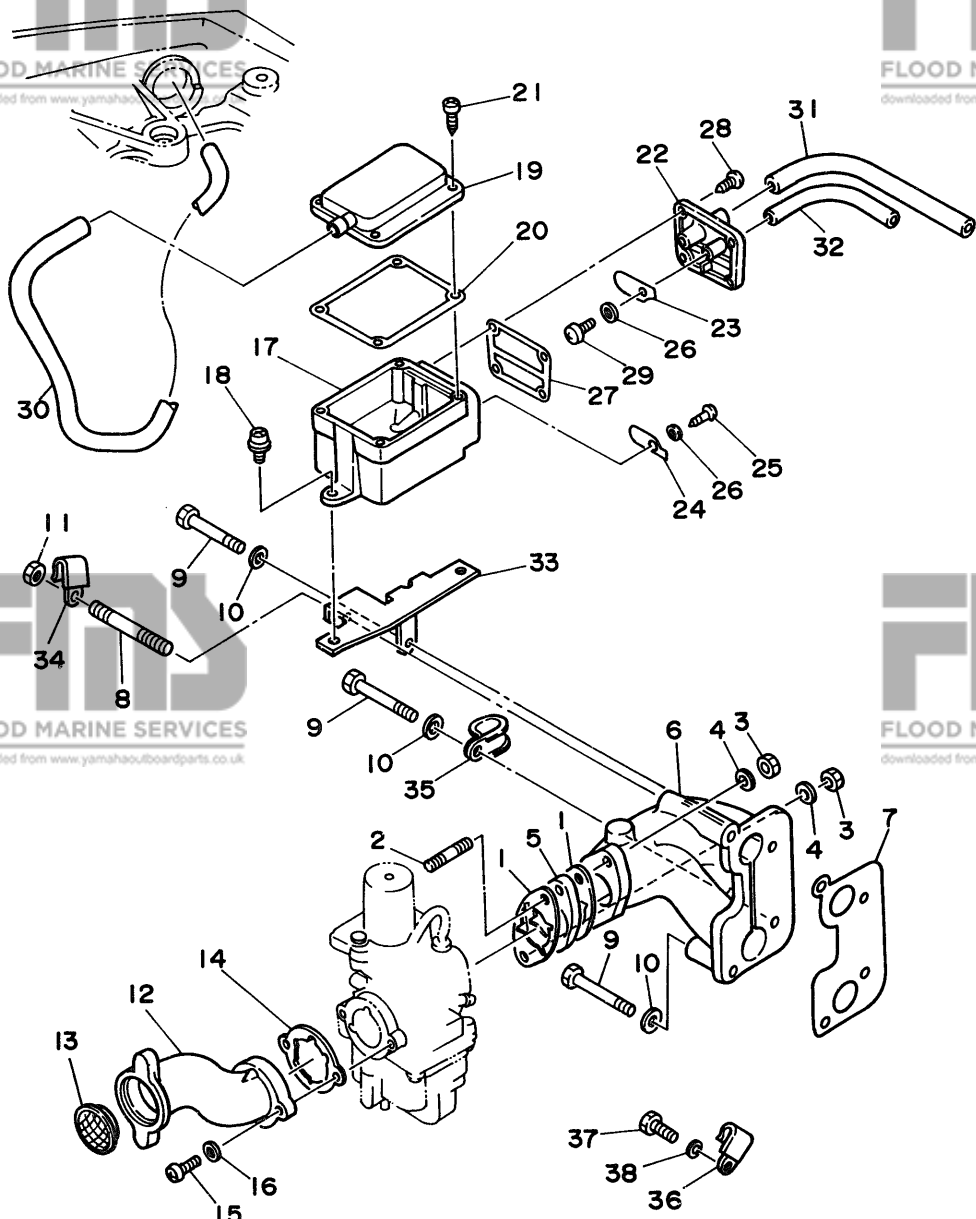
Fig. 3 VALVE

| Ref.No. | Parts No. | Description | Q'ty | Ref.No. | Parts No. | Description | Q'ty |
|---------|--------------|------------------------|------|---------|--------------|------------------------|------|
| 1 | 6G8-12111-00 | VALVE, intake | 2 | 9 | 51Y-12119-00 | SEAL, valve stem | 4 |
| 2 | 6G8-12121-01 | VALVE, exhaust | 2 | 10 | 6G8-12151-00 | ARM, valve rocker | 4 |
| 3 | 6G8-12116-00 | SEAT, valve spring | 4 | 11 | 6G8-12159-00 | SCREW, valve adjusting | 4 |
| 4 | 6G8-12113-00 | SPRING, valve inner | 4 | 12 | 6G8-12158-00 | NUT, lock | 4 |
| 5 | 6G8-12117-00 | RETAINER, valve spring | 2 | 13 | 6G8-12146-00 | SHAFT, rocker | 2 |
| 6 | 30X-12118-00 | COTTER, valve | 4 | 14 | 90387-13M56 | COLLAR | 3 |
| 7 | 6G8-12117-10 | RETAINER, valve spring | 2 | 15 | 90501-12M40 | SPRING, compression | 3 |
| 8 | 6G8-12153-00 | LIFTER, valve | 2 | 16 | 90501-12M41 | SPRING, compression | 1 |



A5

Fig. 4 INTAKE



| Ref.No. | Parts No. | Description | Q'ty | Ref.No. | Parts No. | Description | Q'ty |
|---------|-----------------|--------------------|------|---------|-----------------|--------------------------|------|
| 1 | 6G8-13646-A0 | GASKET, manifold 2 | 2 | 20 | 6G8-15369-00 | GASKET, oil seal housing | 1 |
| 2 | 90116-06M26 | BOLT, stud | 2 | 21 | 97780-40112 | SCREW, tapping | 4 |
| 3 | 95380-06700 | NUT | 2 | 22 | 6G8-15371-00-94 | BREATHER 1 | 3 |
| 4 | 92990-06600 | WASHER, plate | 1 | 23 | 6G8-15346-00 | BREATHER 2 | 1 |
| 5 | 6G8-13647-00 | GASKET, manifold 3 | 1 | 24 | 6G8-15347-00 | BREATHER 2 | 1 |
| 6 | 6G8-13641-01-94 | MANIFOLD 1 | 1 | 25 | 97780-40112 | SCREW, tapping | 1 |
| 7 | 6G8-13645-00 | GASKET, manifold 1 | 1 | 26 | 92990-04200 | WASHER, plain | 2 |
| 8 | 90116-06M15 | BOLT, stud | 1 | 27 | 6G8-15374-00 | GASKET, breather | 1 |
| 9 | 97395-06045 | BOLT | 3 | 28 | 97780-40112 | SCREW, tapping | 4 |
| 10 | 92990-06600 | WASHER, plate | 3 | 29 | 98580-04010 | SCREW, pan head | 1 |
| 11 | 95380-06700 | NUT | 1 | 30 | 6G8-15393-00 | PIPE, breather 2 | 1 |
| 12 | 6G8-14479-01-94 | FUNNEL | 1 | 31 | 90445-11M52 | HOSE | 1 |
| 13 | 6G8-14478-00 | LOUVER | 1 | 32 | 90445-09065 | HOSE | 1 |
| 14 | 6G8-14198-A0 | GASKET | 1 | 33 | 6G8-15376-00 | HOLDER, guide | 1 |
| 15 | 98580-05016 | SCREW, pan head | 2 | 34 | 90465-08028 | CLAMP | 1 |
| 16 | 92990-05600 | WASHER, plate | 2 | 35 | 90461-06M01 | CLAMP | 1 |
| 17 | 6G8-15358-00 | SEPARATOR, oil | 1 | 36 | 90465-08028 | CLAMP | 1 |
| 18 | 90159-06M05 | SCREW, with washer | 2 | 37 | 97013-06012 | BOLT | 1 |
| 19 | 6G8-15368-00-94 | SEPARATOR, oil | 1 | 38 | 92990-06600 | WASHER, plate | 1 |

FWD

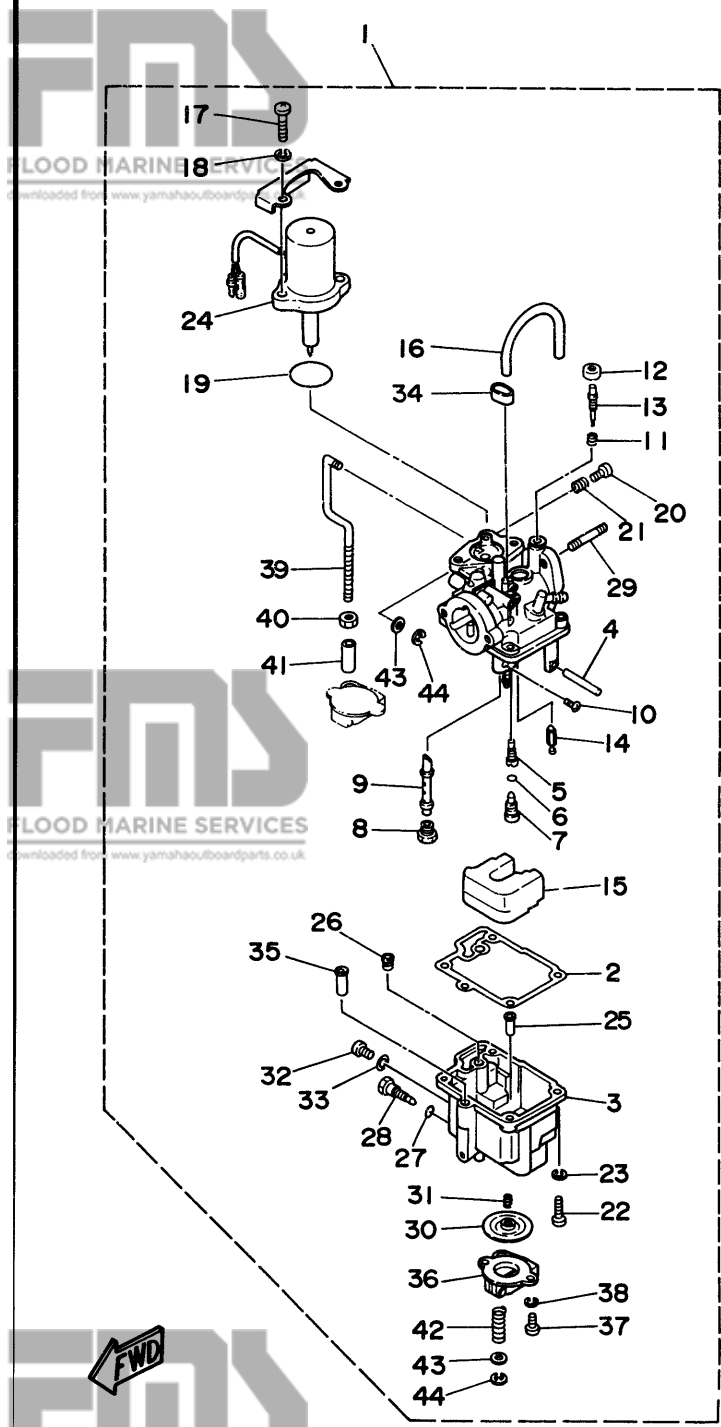


Fig. 5 CARBURETOR

| Ref.No. | Parts No. | Description | Q'ty | Ref.No. | Parts No. | Description | Q'ty |
|---------|--------------|-------------------------------|------|---------|--------------|-----------------------------------|------|
| ▷ 1 | 669-14301-05 | CARBURETOR ASSY (F9.9B Model) | 1 UR | 22 | 98503-04014 | .SCREW, pan head | 4 |
| ▷ 2 | 669-14301-03 | CARBURETOR ASSY (F9.9B Model) | 1 UR | 23 | 92990-04100 | .WASHER, spring | 4 |
| ▷ 3 | 669-14301-04 | CARBURETOR ASSY (F9.9B Model) | 1 UR | ▷ 24 | 668-1410A-01 | .STARTER SET | 1 UR |
| ▷ 4 | 6J6-14301-06 | CARBURETOR ASSY (F8B Model) | 1 UR | ▷ 25 | 668-1410A-00 | .STARTER SET | 1 UR |
| ▷ 5 | 6J6-14301-04 | CARBURETOR ASSY (F8B Model) | 1 UR | 25 | 668-14827-00 | .FILTER | 1 |
| 2 | 668-14384-01 | .GASKET, float chamber | 1 | ▷ 26 | 6A4-14344-30 | .JET, starter (# 60) | 1 UR |
| ▷ 3 | 668-14381-02 | .BODY, float chamber | 1 UR | ▷ 27 | 6A4-14344-24 | .JET, starter (# 48, F9.9B Model) | 1 UR |
| ▷ 4 | 668-14381-01 | .BODY, float chamber | 1 UR | ▷ 28 | 6A4-14344-25 | .JET, starter (# 50) | 1 UR |
| 4 | 647-14386-10 | .PIN, float | 1 | 27 | 5Y1-14397-00 | .ORING | 1 |
| ▷ 5 | 668-14342-24 | .JET, pilot (# 48) | 1 UR | 28 | 668-14383-00 | .SCREW, drain | 1 |
| ▷ 6 | 668-14342-22 | .JET, pilot (# 44) | 1 UR | 29 | 90116-06M26 | .BOLT, stud | 2 |
| 6 | 654-14198-00 | .GASKET | 1 | 30 | 668-14368-01 | .DIAPHRAGM ASSY 1 | 1 |
| 7 | 668-14345-00 | .PLUG, main nozzle | 1 | ▷ 31 | 668-14275-01 | .SPRING | 1 UR |
| ▷ 8 | 648-14343-43 | .JET, main (# 86) | 1 UR | ▷ 32 | 668-14275-00 | .SPRING | 1 UR |
| ▷ 9 | 648-14343-42 | .JET, main (# 84) | 1 UR | 32 | 97890-05006 | .SCREW, pan head | 1 |
| ▷ 9 | 668-14341-20 | .NOZZLE, main | 1 UR | 33 | 646-14198-01 | .GASKET | 1 |
| ▷ 10 | 668-14341-10 | .NOZZLE, main | 1 UR | 34 | 668-14389-00 | .PIPE | 1 |
| 10 | 668-14216-00 | .SCREW | 1 | ▷ 35 | 668-14217-00 | .VALVE, choke | 1 UR |
| 11 | 647-14334-00 | .SPRING | 1 | ▷ 36 | 668-14217-01 | .VALVE, choke | 1 UR |
| 12 | 668-14997-00 | .SEAL | 1 | ▷ 36 | 668-14293-03 | .COVER 1 | 1 UR |
| 13 | 668-14323-00 | .SCREW, air adjusting | 1 | ▷ 37 | 668-14293-02 | .COVER 1 | 1 UR |
| 14 | 668-14392-00 | .VALVE, needle | 1 | 37 | 98580-04010 | .SCREW, pan head | 2 |
| 15 | 668-14385-00 | .FLOAT | 1 | 38 | 92990-04100 | .WASHER, spring | 2 |
| 16 | 668-14197-01 | .PIPE | 2 | 39 | 668-14379-00 | .ROD, starter | 1 |
| 17 | 98503-06014 | .SCREW, pan head | 2 | 40 | 98813-03100 | .NUT | 1 |
| 18 | 92990-06100 | .WASHER, spring | 2 | 41 | 668-14229-00 | .SHAFT, choke | 1 |
| 19 | 1HV-14147-00 | O-RING | 1 | 42 | 668-14286-01 | .SPRING | 1 |
| 20 | 98503-04014 | .SCREW, pan head | 1 | 43 | 668-14357-00 | .WASHER, plain | 2 |
| 21 | 646-14212-01 | .SPRING, pilot adjusting | 1 | 44 | 389-14137-00 | .CLIP | 2 |

- ▷ F8BM S:000274 and following, L:301001 and following
E S:100204 and following, L:400626 and following
EM S:200121 and following, L:500441 and following
- ▷ F9.9BM S:008315 and following, L:305656 and following
E S:100946 and following, L:401405 and following
EM S:200232 and following, L:500265 and following
- ▷ F9.9BM S:008200 and following, L:305540 and following
E S:100931 and following, L:401400 and following
EM S:200232 and following, L:500265 and following
- ▷ F8BM S:000273 and below, L:301000 and below
E S:100203 and below, L:400625 and below
EM S:200120 and below, L:500440 and below
F9.9BM S:008199 and below, L:305539 and below
E S:100930 and below, L:401399 and below
EM S:200231 and below, L:500264 and below

Fig. 6 OIL PUMP

| Ref.No. | Parts No. | Description | Q'ty | Ref.No. | Parts No. | Description | Q'ty |
|---------|-----------------|---------------|------|---------|-----------------|---------------------------|------|
| 1 | 6G8-46241-00 | V-BELT | 1 | 14 | 93210-27ME3 | O-RING | 1 |
| 2 | 6G8-11536-00-94 | GEAR, drive | 1 | 15 | 93210-10M61 | O-RING | 1 |
| 3 | 6G8-11557-00 | WASHER 1 | 2 | 16 | 93210-09M01 | O-RING | 1 |
| 4 | 90170-24M09 | NUT | 1 | 17 | 93210-13M63 | O-RING | 2 |
| 5 | 6G8-11587-00 | WASHER, lock | 1 | 18 | 97395-06025 | BOLT | 3 |
| 6 | 6G8-11537-00-94 | GEAR, driven | 1 | 19 | 92990-06600 | WASHER, plate | 3 |
| 7 | 90280-03M01 | KEY, woodruff | 2 | 20 | 6G8-13442-00-94 | HOUSING, oil filter | 1 |
| 8 | 90201-13201 | WASHER, plate | 1 | 21 | 6G8-13440-00 | ELEMENT ASSY, oil cleaner | 1 |
| 9 | 97313-06016 | BOLT | 1 | 22 | 93210-09M01 | O-RING | 2 |
| 10 | 90201-06M94 | WASHER, plate | 1 | 23 | 97313-06050 | BOLT | 1 |
| 11 | 6G8-12171-00 | CAMSHAFT 1 | 1 | 24 | 92990-06600 | WASHER, plate | 1 |
| 12 | 93102-18M21 | OIL SEAL | 1 | 25 | 97313-06030 | BOLT | 1 |
| 13 | 6G8-13300-02 | OIL PUMP ASSY | 1 | 26 | 92990-06600 | WASHER, plate | 1 |

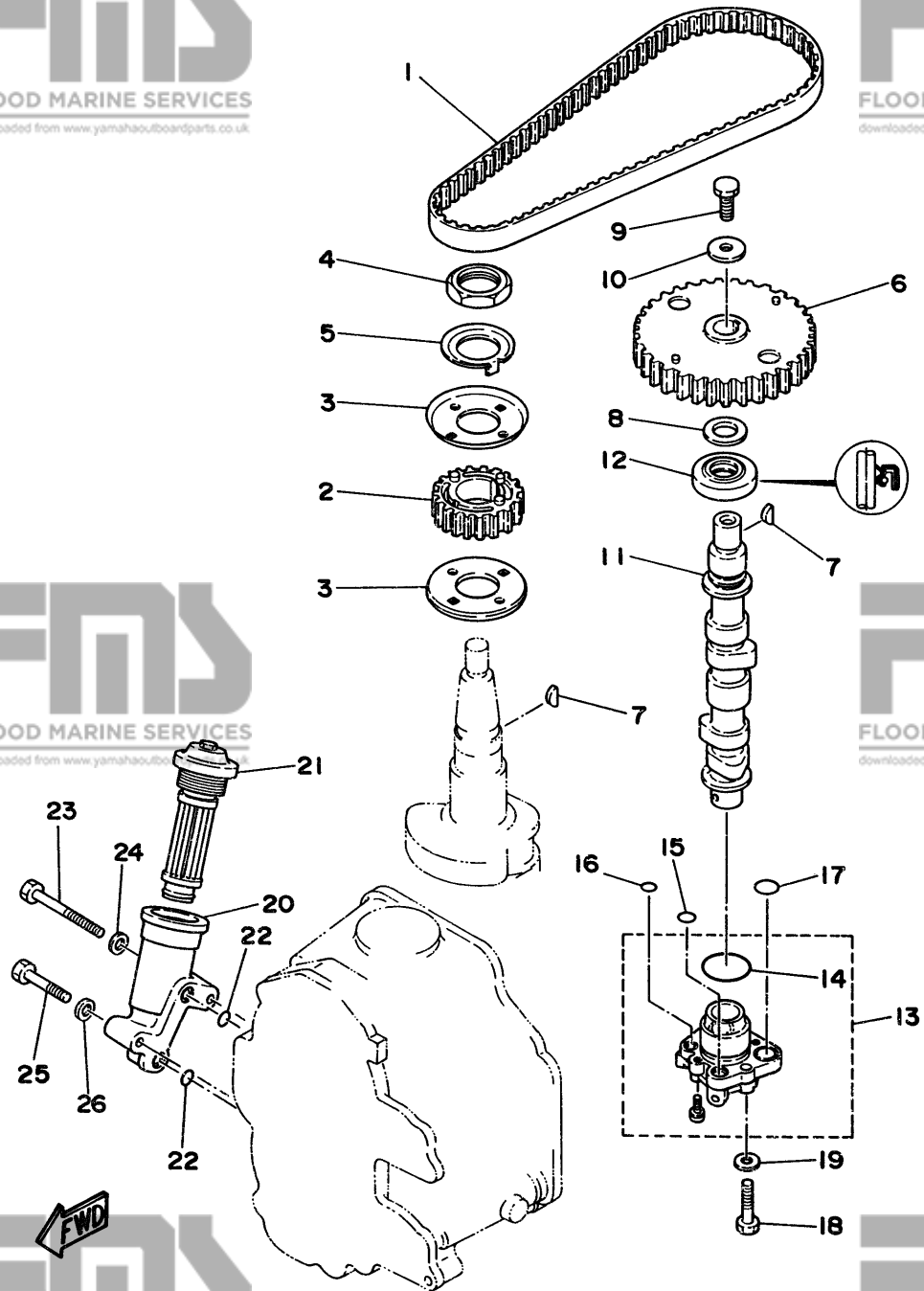


Fig. 7 OIL PAN

| Ref.No. | Parts No. | Description | Q'ty | Ref.No. | Parts No. | Description | Q'ty |
|---------|-----------------|--------------------|------|---------|--------------|------------------------|------|
| 1 | 6G8-11575-00 | RELIEF VALVE ASS'Y | 1 | 10 | 97313-06010 | BOLT | 1 |
| 2 | 93210-12M62 | O-RING | 1 | 11 | 92990-06100 | WASHER, spring | 1 |
| 3 | 6G8-15379-00 | SEAL, crankcase | 1 | 12 | 6G8-13421-00 | STRAINER 2 | 1 |
| 4 | 6G8-13487-00 | GUIDE, oil hose | 1 | 13 | 6G8-15316-00 | DAMPER, engine mount 1 | 1 |
| 5 | 98501-05012 | SCREW, pan head | 1 | 14 | 90105-06M33 | BOLT, washer based | 9 |
| 6 | 92901-05600 | WASHER, plate | 1 | 15 | 6G8-13471-00 | PLUG, drain | 1 |
| 7 | 6G8-15311-02-0D | OIL PAN | 1 | 16 | 93210-16M64 | O-RING | 1 |
| 8 | 6G8-15312-A1 | GASKET, oil pan | 1 | 17 | 6G8-15362-04 | PLUG, oil level | 1 |
| 9 | 6G8-45127-00 | SEAL | 1 | | | | |

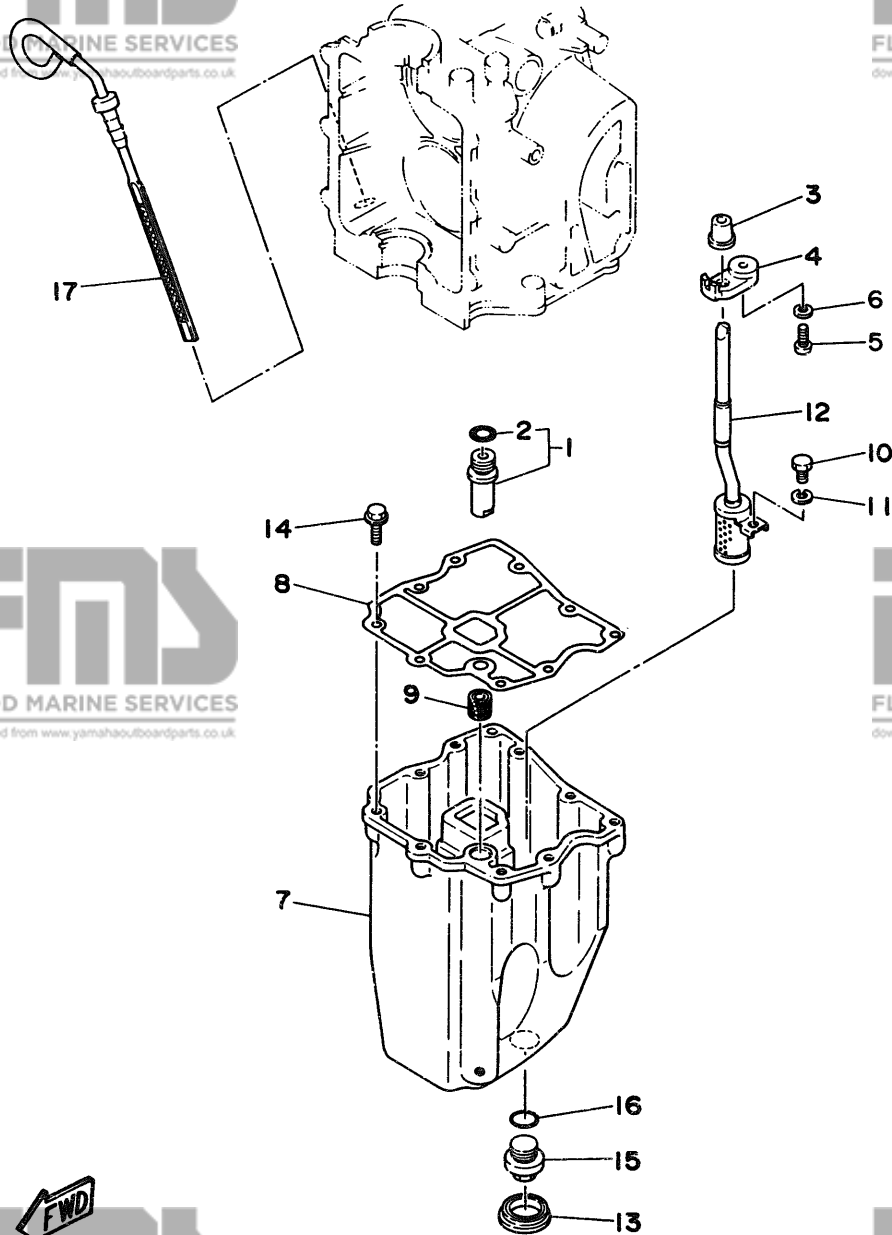
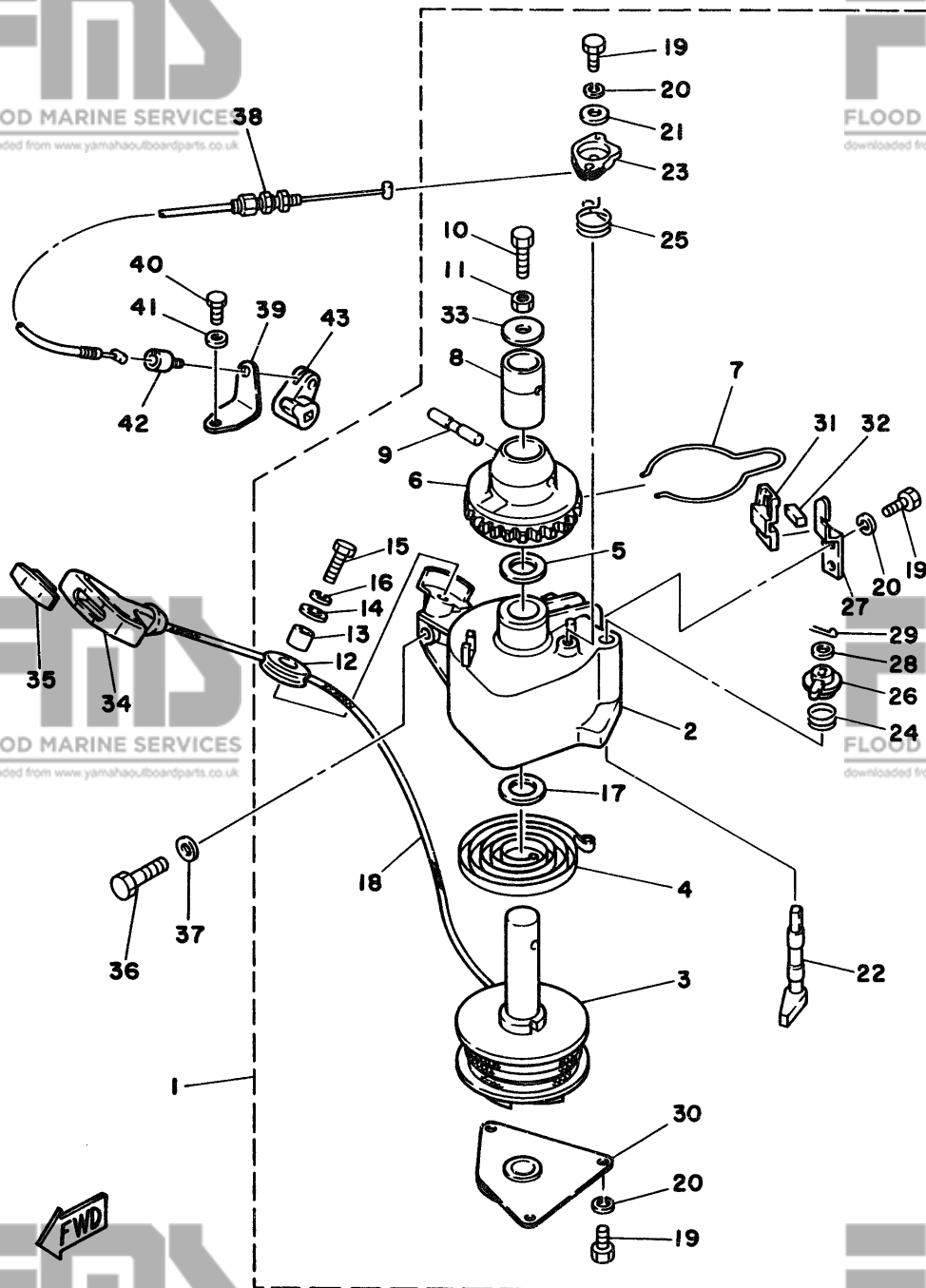


Fig. 8 STARTER

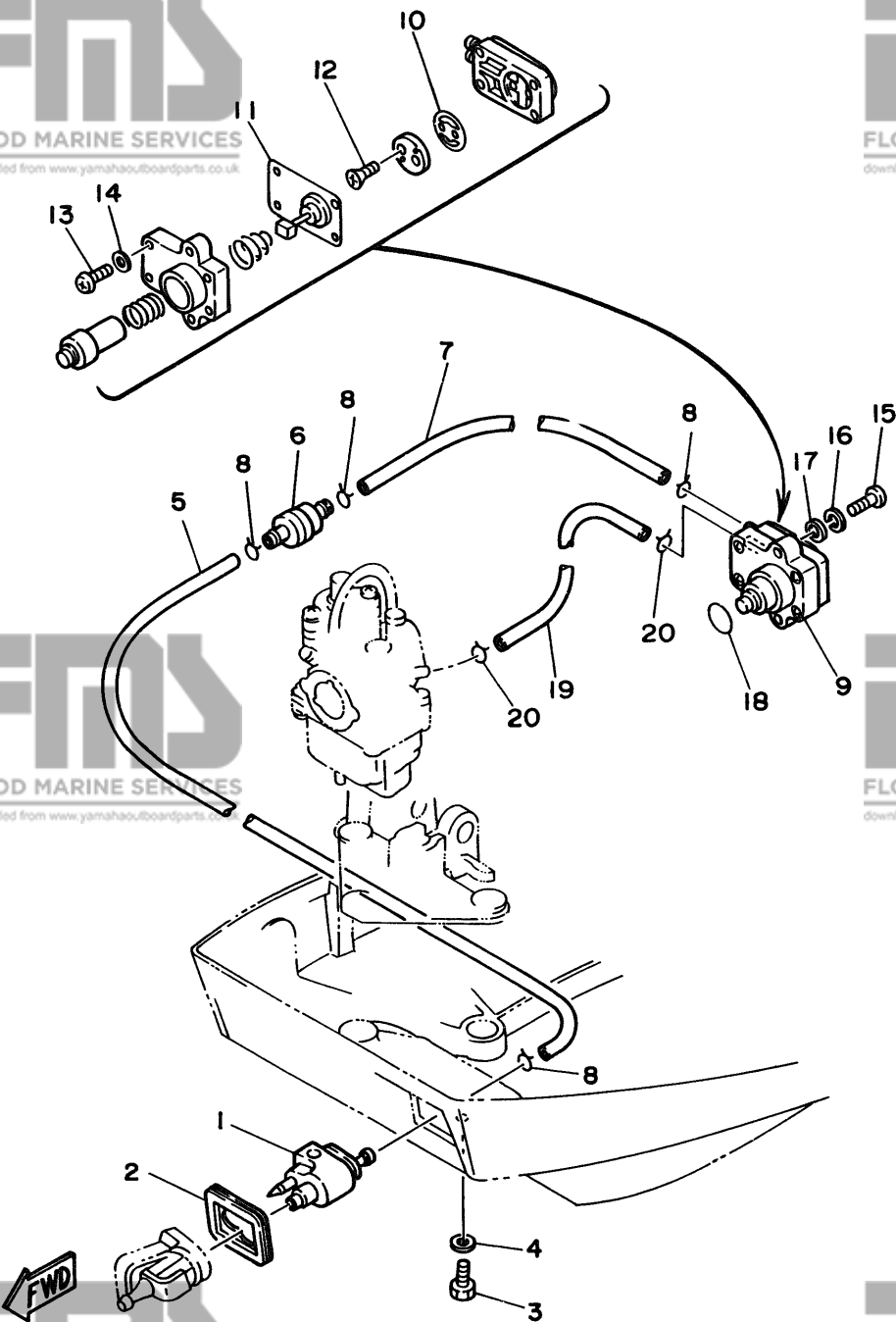


| Ref.No. | Parts No. | Description | Q'ty | Ref.No. | Parts No. | Description | Q'ty |
|---------|--------------|----------------------|------|---------|--------------|---------------------------|------|
| 1 | 668-15710-10 | STARTER ASSY | 1 | 23 | 668-15746-00 | .ARM | 1 |
| 2 | 668-15711-00 | .CASE, starter | 1 | 24 | 668-15767-00 | .SPRING | 1 |
| 3 | 668-15714-00 | .DRUM, sheave | 1 | 25 | 668-15734-00 | .SPRING, return | 1 |
| 4 | 668-15713-00 | .SPRING, starter | 1 | 26 | 668-15747-00 | .LINK | 1 |
| 5 | 668-15719-00 | .WASHER, thrust | 1 | 27 | 668-15716-00 | .PLATE, drive | 1 |
| 6 | 668-15723-00 | .PULLEY, starter | 1 | 28 | 92990-06200 | .WASHER, plain | 1 |
| 7 | 668-15715-00 | .SPRING, drive plate | 1 | 29 | 91490-16015 | .PIN, cotter | 1 |
| 8 | 668-15754-00 | .BUSH 2 | 1 | 30 | 668-15712-00 | .COVER, starter case | 1 |
| 9 | 668-15727-00 | .PIN | 1 | 31 | 668-15779-00 | .COVER | 1 |
| 10 | 668-15768-00 | .BOLT | 1 | 32 | 668-15789-00 | .DAMPER | 1 |
| 11 | 95303-08700 | .NUT | 1 | 33 | 668-15742-00 | .WASHER, drive pawl | 1 |
| 12 | 6F5-15752-00 | .ROLLER, wire | 1 | 34 | 6G1-15755-00 | HANDLE, starter | 1 |
| 13 | 663-15753-00 | .BUSH | 1 | 35 | 689-15779-01 | COVER | 1 |
| 14 | 663-15791-00 | .WASHER, lock | 1 | 36 | 97313-08030 | BOLT | 3 |
| 15 | 97315-06025 | .BOLT | 1 | 37 | 92990-08600 | WASHER, plate | 3 |
| 16 | 92995-06100 | .WASHER, spring | 1 | 38 | 668-15770-00 | CABLE COMP., starter stop | 1 |
| 17 | 668-15739-00 | .WASHER, thrust | 1 | 39 | 668-15771-00 | STAY 1 | 1 |
| 18 | * | .WIRE (L:1850mm) | 1 | 40 | 97395-06012 | BOLT | 1 |
| 19 | 97313-05012 | .BOLT | 6 | 41 | 92990-06600 | WASHER, plate | 1 |
| 20 | 92990-05100 | .WASHER, spring | 6 | 42 | 668-15772-00 | STAY 2 | 1 |
| 21 | 668-15726-00 | .WASHER, flat | 1 | 43 | 668-44125-00 | LEVER, shift rod | 1 |
| 22 | 668-15794-00 | .STOPPER | 1 | | | | |

* Cut from 50m rolls, parts No. 90890-44373, cutting length 1.85m.

Fig. 9 FUEL

| Ref.No. | Parts No. | Description | Q'ty | Ref.No. | Parts No. | Description | Q'ty |
|---------|--------------|-------------------------|------|---------|--------------|-------------------|------|
| 1 | 661-24304-02 | FUEL PIPE JOINT COMP. 1 | 1 | 11 | 668-24411-02 | .DIAPHRAGM | 1 |
| 2 | 668-24329-00 | SEAL | 1 | 12 | 98780-03008 | .SCREW, flat head | 2 |
| 3 | 97395-06020 | BOLT | 1 | 13 | 98503-04014 | .SCREW, pan head | 4 |
| 4 | 92990-06600 | WASHER, plate | 1 | 14 | 92990-04200 | .WASHER, plain | 4 |
| 5 | 668-24311-00 | PIPE, fuel 1 | 1 | 15 | 98580-06025 | SCREW, pan head | 2 |
| 6 | 646-24251-02 | STRAINER 1 | 1 | 16 | 92995-06100 | WASHER, spring | 2 |
| 7 | 90445-09065 | HOSE | 1 | 17 | 92990-06600 | WASHER, plate | 2 |
| 8 | 90467-08004 | CLIP | 4 | 18 | 93210-20M65 | O-RING | 1 |
| 9 | 668-24410-02 | FUEL PUMP ASSY | 1 | 19 | 90445-09225 | HOSE | 1 |
| 10 | 668-24421-00 | .VALVE, check | 1 | 20 | 90467-08004 | CLIP | 2 |



B4

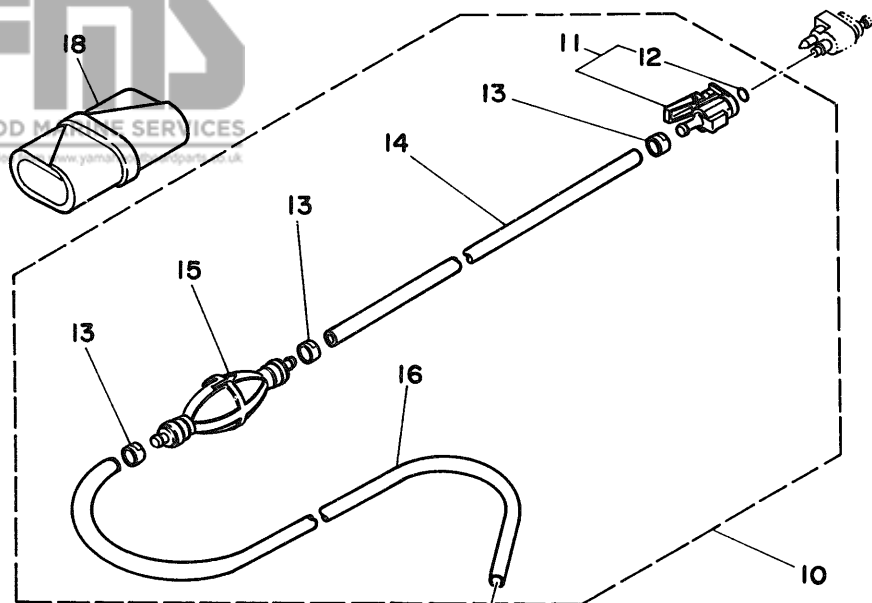
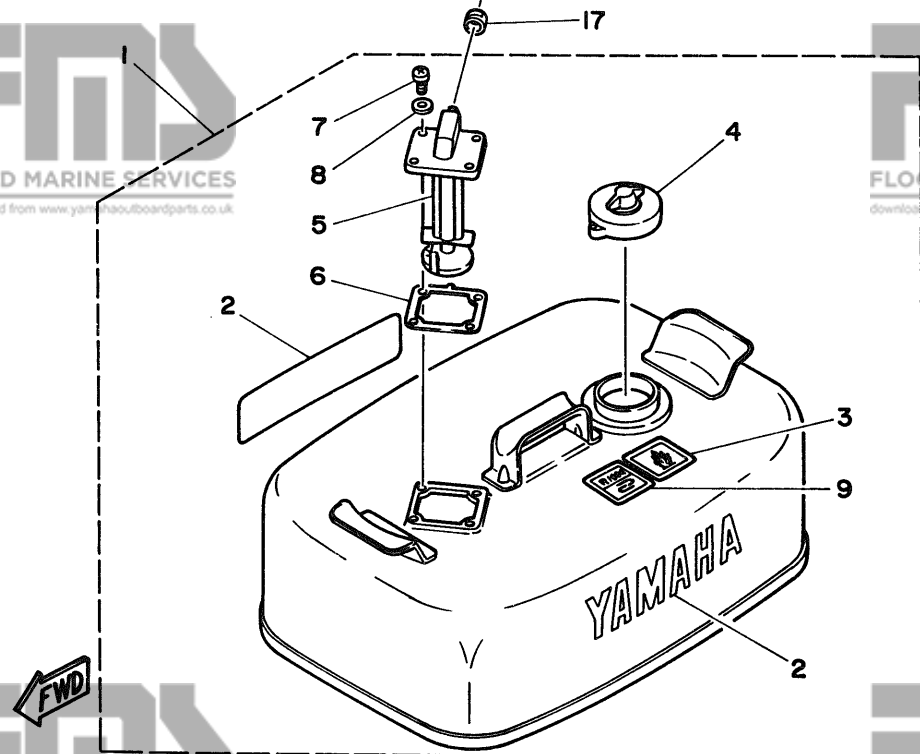


Fig. 10 FUEL TANK

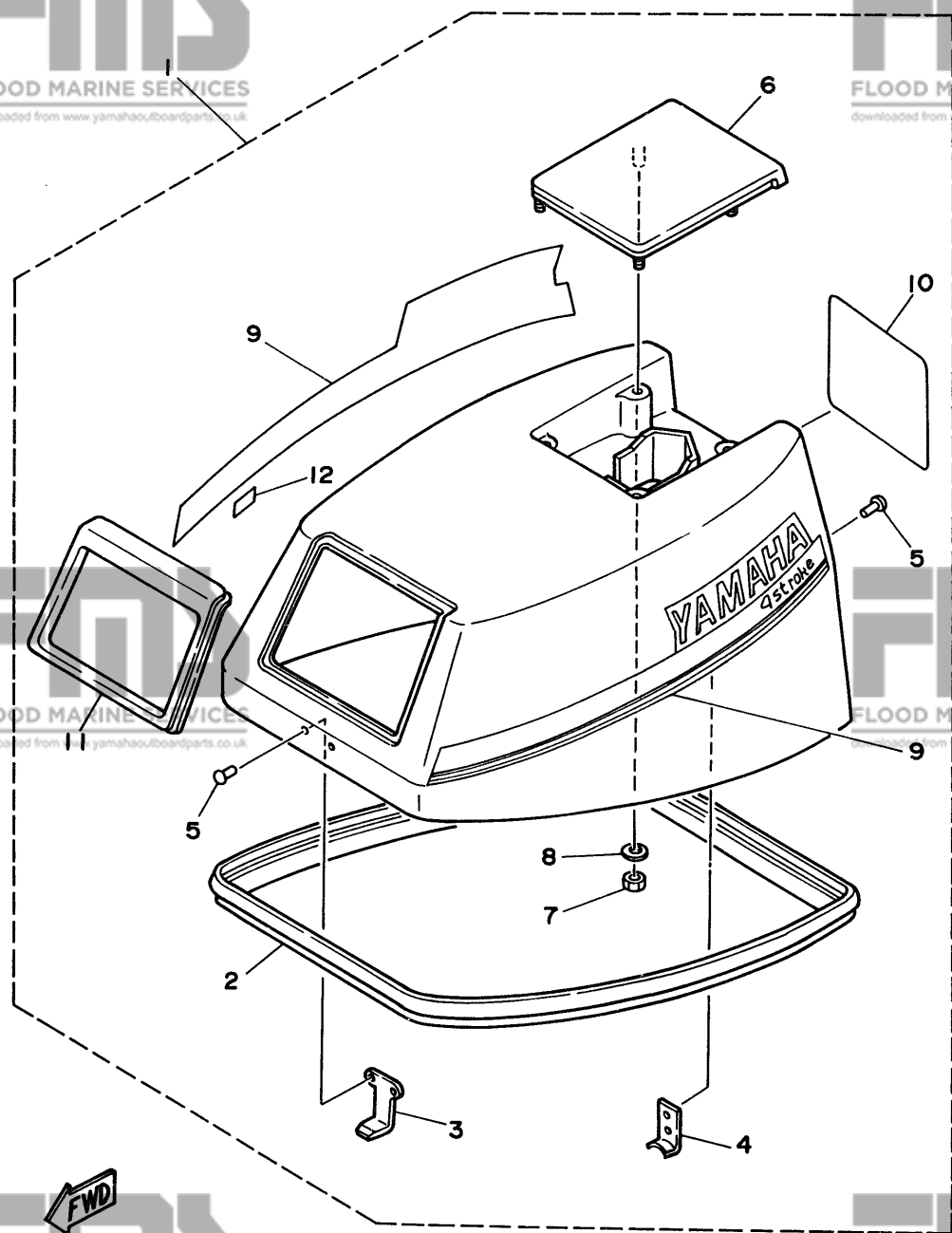
| Ref.No. | Parts No. | Description | Q'ty | Ref.No. | Parts No. | Description | Q'ty |
|---------|-----------------|-----------------------|------|---------|--------------|--------------------------|------|
| 1 | 6Y4-W2420-80-24 | FUEL TANK ASSY | 1 | 10 | 6Y4-24306-80 | FUEL PIPE COMP. 1 | 1 |
| 2 | 6Y1-24246-00 | .GRAPHIC, side | 2 | 11 | 6G1-24305-00 | .FUEL PIPE JOINT COMP. 2 | 1 |
| 3 | 6Y1-24257-00 | .GRAPHIC | 1 | 12 | 93210-08287 | ..O-RING | 1 |
| 4 | 6Y1-24610-T2 | .CAP ASSY | 1 | 13 | 650-24351-51 | .BAND 1 | 3 |
| 5 | 6Y4-24275-80 | .FUEL METER COMP. | 1 | # 14 | 90445-11M05 | .HOSE (L:850mm) | 1 |
| 6 | 6Y1-24268-00 | .GASKET, fuel meter | 1 | 15 | 6Y1-24360-51 | .PRIMER PUMP ASSY | 1 |
| 7 | 98586-05016 | .SCREW, pan head | 4 | # 16 | 90445-11M06 | .HOSE (L:2050mm) | 1 |
| 8 | 6Y1-24329-00 | .SEAL | 4 | 17 | 650-24351-51 | BAND 1 | 1 |
| 9 | 6Y1-24256-80 | .GRAPHIC, fuel tank 9 | 1 | 18 | 676-W2810-00 | TOOL KIT | 1 |

Also available in 30m rolls. (Parts No. 90890-56878)



FWD

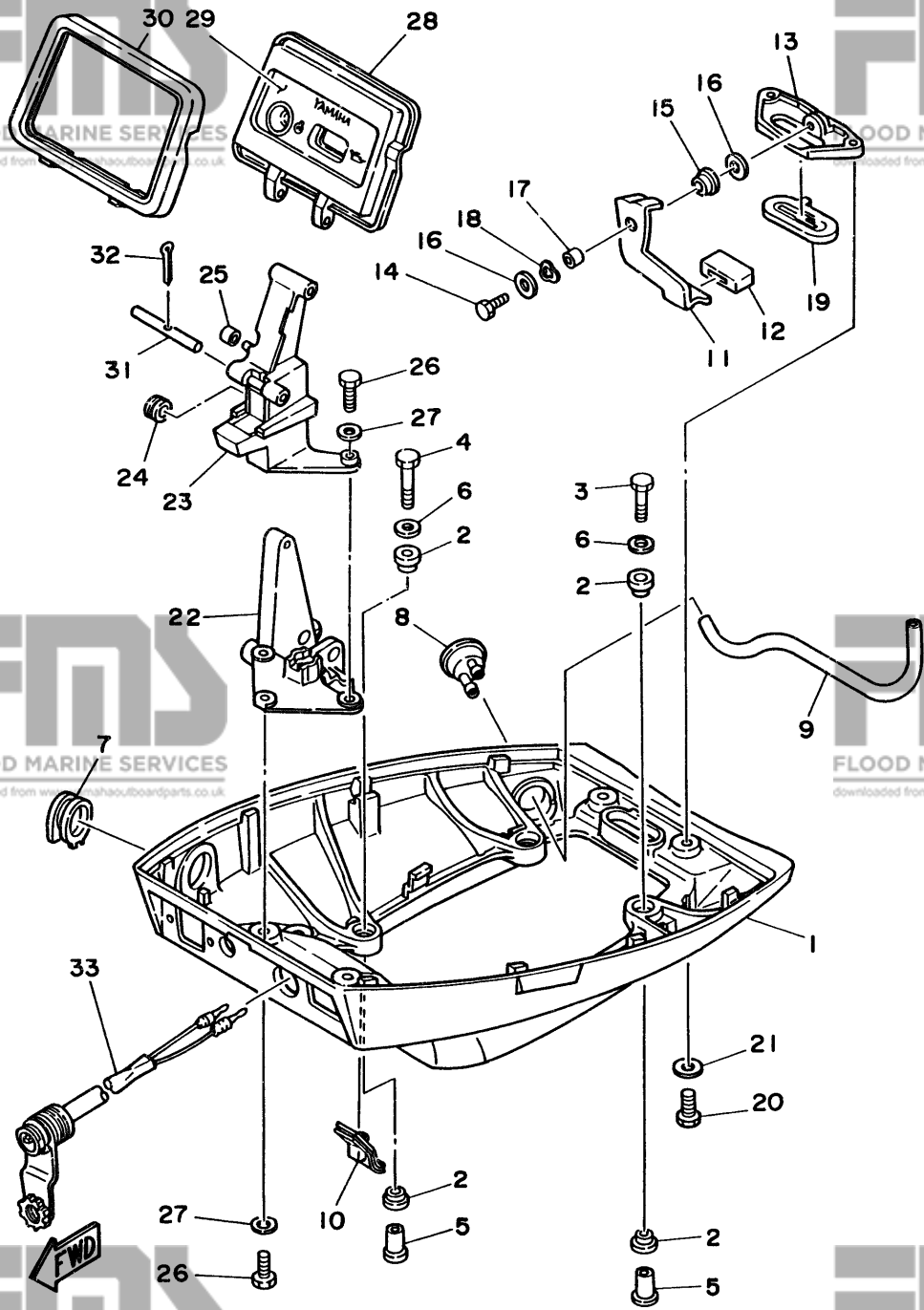
Fig. 11 TOP COWLING



| Ref.No. | Parts No. | Description | Q'ty | Ref.No. | Parts No. | Description | Q'ty |
|---------|-----------------|---------------------------------|------|---------|--------------|-------------------------------|------|
| 1 | 6G9-42610-23-EJ | TOP COWLING ASSY (F9.9B Model1) | 1 UR | 7 | 95680-06100 | .NUT | 4 |
| | 6J7-42610-23-EJ | TOP COWLING ASSY (F8B Model1) | 1 UR | 8 | 92990-06200 | .WASHER, plain | 4 |
| 2 | 6G8-42615-00 | .SEAL | 1 | 9 | 6G9-W0070-22 | .GRAPHIC SET | 1 |
| 3 | 6G8-42651-00 | .HOOK | 1 | 10 | 6G9-42678-22 | .GRAPHIC, rear (F9.9B Model1) | 1 UR |
| 4 | 6G8-42652-00 | .HOOK | 1 | | 6J7-42678-22 | .GRAPHIC, rear (F8B Model1) | 1 UR |
| 5 | 90266-04M04 | .RIVET | 4 | 11 | 6G8-42628-01 | .SEAL | 1 |
| 6 | 6G8-42613-00-EJ | .MOLDING, air duct | 1 | 12 | 6E0-44191-11 | .INDICATOR, shift | 1 |

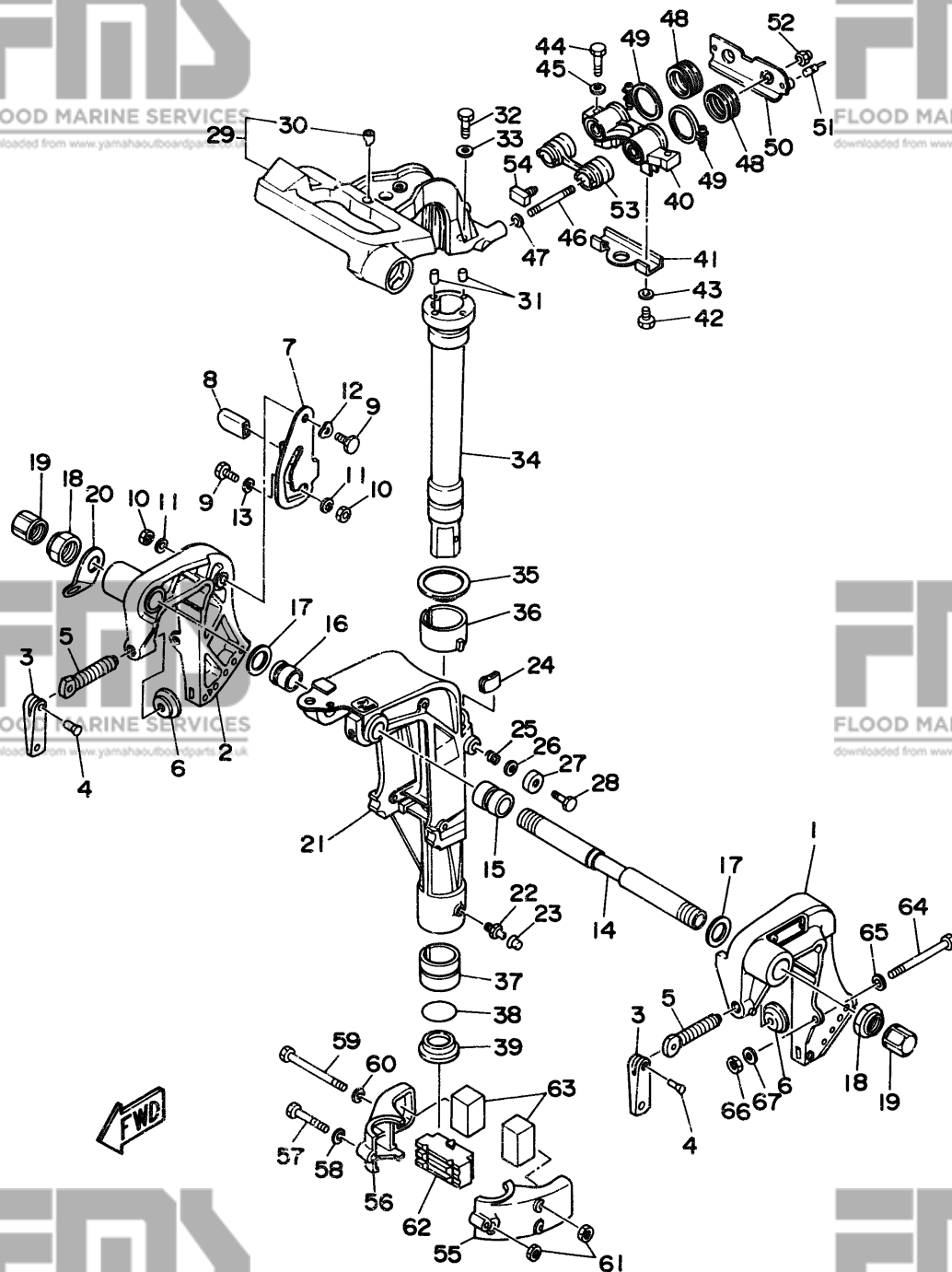
Fig. 12 BOTTOM COWLING

| Ref.No. | Parts No. | Description | Q'ty | Ref.No. | Parts No. | Description | Q'ty |
|---------|-----------------|------------------------------|------|---------|-----------------|--------------------|------|
| 1 | 6G8-42711-01-EJ | COWLING, bottom | 1 | 16 | 90201-06M31 | WASHER, plate | 2 |
| 2 | 90480-09M35 | GROMMET | 8 | 17 | 90387-06M72 | COLLAR | 1 |
| 3 | 97313-06030 | BOLT | 2 | 18 | 90206-08M13 | WASHER, wave | 1 |
| 4 | 97313-06040 | BOLT | 2 | 19 | 6G8-42748-00 | GROMMET | 1 |
| 5 | 90387-06M15 | COLLAR | 4 | 20 | 97395-06016 | BOLT | 2 |
| 6 | 90201-06M31 | WASHER, plate | 4 | 21 | 92990-06600 | WASHER, plate | 2 |
| 7 | 6G9-42724-00 | GROMMET | 1 UR | 22 | 6G8-42738-00-94 | PLATE, fitting | 1 |
| | 6G8-42724-00 | GROMMET (For Remote Control) | 1 UR | 23 | 6G8-42719-00-EJ | PANEL, front lower | 1 |
| 8 | 6G8-44391-00 | NIPPLE, hose | 1 | 24 | 90480-19031 | GROMMET | 1 |
| 9 | 6G8-12482-00 | PIPE 2 | 1 | 25 | 90445-05ME6 | HOSE | 1 |
| 10 | 6G8-42727-00 | GROMMET | 1 | 26 | 97395-06016 | BOLT | 4 |
| 11 | 6G8-42815-00 | LEVER, clamp | 1 | 27 | 92990-06600 | WASHER, plate | 4 |
| 12 | 6G8-42831-00 | BUSHING | 1 | 28 | 6G8-W4261-00 | PANEL, front upper | 1 |
| 13 | 6G8-42811-00-94 | STAY | 1 | 29 | 6G8-42677-00 | GRAPHIC, front | 1 |
| 14 | 97313-06016 | BOLT | 1 | 30 | 6G8-42629-01 | SEAL | 1 |
| 15 | 90386-08M49 | BUSH | 1 | 31 | 6G8-42755-00 | HINGE, cowling | 1 |
| | | | | 32 | 91490-16010 | PIN, cotter | 1 |
| | | | | 33 | 682-84381-00 | 2P CONCENT | 1 |



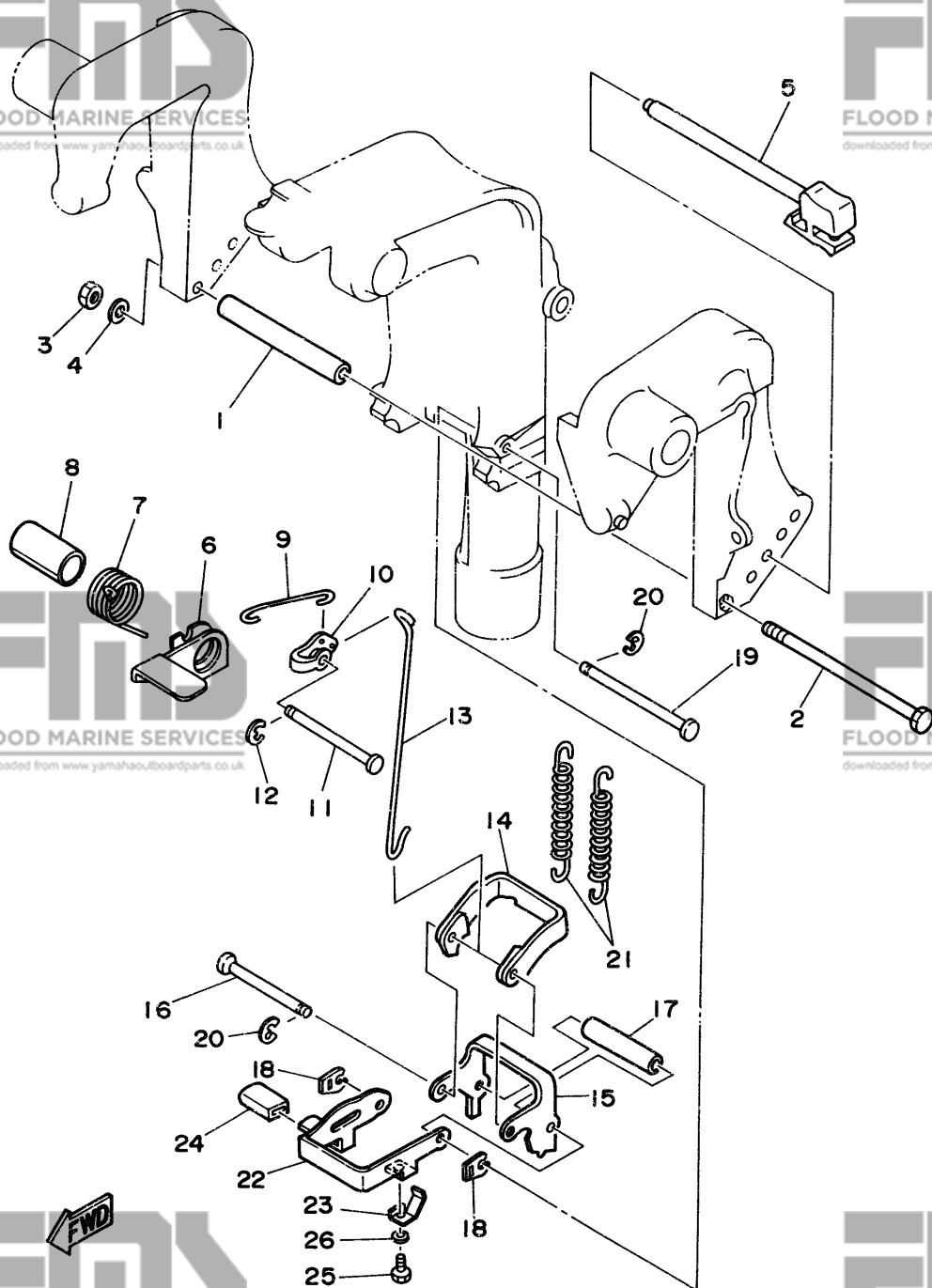
B7

Fig. 13 BRACKET 1



| Ref.No. | Parts No. | Description | Q'ty | Ref.No. | Parts No. | Description | Q'ty |
|---------|-----------------|-------------------------------|------|---------|-----------------|------------------------------|------|
| 1 | 6G8-43111-03-EJ | BRACKET, clamp | 1 | 34 | 6G8-42521-10-94 | SHAFT, steering pivot (Long) | 1 UR |
| 2 | 6G8-43112-04-EJ | BRACKET, clamp | 1 | 35 | 90209-45M09 | WASHER | 1 |
| 3 | 616-43118-00-EJ | HANDLE, transom clamp | 2 | 36 | 6G8-42537-00 | BUSHING, pivot shaft | 1 |
| 4 | 90243-04M00 | PIN | 2 | 37 | 90386-37M47 | BUSH | 1 |
| 5 | 6E7-43116-00 | SCREW | 2 | 38 | 93210-37M67 | O-RING | 1 |
| 6 | 648-43114-01 | PAD, transom clamp | 2 | 39 | 90386-37M48 | BUSH | 1 |
| 7 | 6G8-43181-00 | LEVER, tilt stop | 1 | 40 | 6G8-44517-00-94 | MOUNT RUBBER | 1 |
| 8 | 682-43318-01 | COVER | 1 | 41 | 6G8-44526-00 | PLATE | 1 |
| 9 | 90109-06M25 | BOLT | 2 | 42 | 97395-06012 | BOLT | 2 |
| 10 | 95680-06100 | NUT, u | 2 | 43 | 92990-06600 | WASHER, plate | 2 |
| 11 | 92990-06600 | WASHER, plate | 2 | 44 | 97395-08030 | BOLT | 2 |
| 12 | 90206-10M15 | WASHER, wave | 1 | 45 | 92990-08600 | WASHER, plate | 2 |
| 13 | 682-43339-01 | WASHER | 1 | 46 | 90116-08M28 | BOLT, stud | 2 |
| 14 | 6G8-43131-00 | BOLT | 1 | 47 | 90201-08M12 | WASHER, plate | 2 |
| 15 | 90386-22M92 | BUSH | 1 | 48 | 6G8-44522-00 | SEAL | 2 |
| 16 | 90386-22M93 | BUSH | 1 | 49 | 90460-38M06 | CLAMP, hose | 2 |
| 17 | 90201-22428 | WASHER, plate | 2 | 50 | 6G8-44518-00 | BRACKET COMP. | 1 |
| 18 | 90185-22043 | NUT, self-locking | 2 | 51 | 6G8-44533-00 | DAMPER, upper mount rubber | 2 |
| 19 | 6G5-43145-00 | CAP, clamp bracket | 2 | 52 | 95780-08300 | NUT, flange | 2 |
| 20 | 6J8-43113-01 | PLATE, clamp bracket | 1 | 53 | 6G8-44521-00 | SEAL | 1 |
| 21 | 6G9-43311-03-EJ | BRACKET, swivel (Short) | 1 UR | 54 | 6G8-44532-00 | STOPPER, upper mount | 1 |
| | 6G8-43311-14-EJ | BRACKET, swivel (Long) | 1 UR | 55 | 6G8-44551-01-EJ | HOUSING, lower mount rubber | 1 |
| 22 | 93700-06M03 | NIPPLE, grease | 1 | 56 | 6G8-44552-02-EJ | HOUSING, lower mount rubber | 1 |
| 23 | 663-45119-00 | CAP, grease nipple | 1 | 57 | 97395-06045 | BOLT | 1 |
| 24 | 6G8-42528-00 | PLATE, friction | 1 | 58 | 92990-06600 | WASHER, plate | 1 |
| 25 | 90501-18M00 | SPRING, compression | 1 | 59 | 97395-06095 | BOLT | 2 |
| 26 | 90201-06M31 | WASHER, plate | 1 | 60 | 92990-06600 | WASHER, plate | 2 |
| 27 | 6G8-43373-00 | SEAL, damper | 1 | 61 | 95380-06700 | NUT | 3 |
| 28 | 97395-06025 | BOLT | 1 | 62 | 6G8-44557-00 | MOUNT DAMPER, lower front | 1 |
| 29 | 6G9-42511-01-EJ | BRACKET, steering | 1 | 63 | 682-44555-00 | MOUNT DAMPER, lower side | 2 |
| 30 | 6G8-42534-00 | .PIN, dowel | 1 | 64 | 90101-08M88 | BOLT | 2 |
| 31 | 93605-15065 | PIN, dowel | 2 | 65 | 92990-08600 | WASHER, plate | 2 |
| 32 | 97315-06030 | BOLT | 2 | 66 | 95780-08300 | NUT, flange | 2 |
| 33 | 92990-06600 | WASHER, plate | 2 | 67 | 90201-08MA4 | WASHER, plate | 2 |
| 34 | 6G9-42521-00-94 | SHAFT, steering pivot (Short) | 1 UR | | | | |

Fig. 14 BRACKET 2



| Ref.No. | Parts No. | Description | Q'ty | Ref.No. | Parts No. | Description | Q'ty |
|---------|--------------|------------------|------|---------|--------------|--|------|
| 1 | 90387-06M09 | COLLAR | 1 | 15 | 682-43615-01 | PLATE, tilt lock | 1 |
| 2 | 97395-06135 | BOLT | 1 | 16 | 682-43611-01 | SHAFT, tilt lock | 1 |
| 3 | 95380-06700 | NUT | 1 | 17 | 90387-06M20 | COLLAR | 1 |
| 4 | 92990-06600 | WASHER, plate | 1 | 18 | 682-43673-00 | WASHER i | 2 |
| 5 | 668-43160-01 | TILT ROD ASSY | 1 | 19 | 682-43659-00 | SHAFT, reverse lock | 1 |
| 6 | 668-43631-02 | LEVER, tilt | 1 | 20 | 99080-05600 | CIRCLIP | 2 |
| 7 | 90508-18M33 | SPRING, torsion | 1 | 21 | 90506-26M01 | SPRING, tension | 2 UR |
| 8 | 90386-20M94 | BUSH | 1 | | 90506-26M07 | SPRING, tension (For Dual Thrust Prop.) | 2 UR |
| 9 | 668-43616-00 | ROD, tilt lock | 1 | 22 | 669-43681-00 | LEVER, shallow water drive | 1 |
| 10 | 682-43641-00 | LEVER, tilt | 1 | 23 | 669-43643-00 | SPRING | 1 |
| 11 | 90249-06M20 | PIN | 1 | 24 | 682-43318-01 | COVER | 1 |
| 12 | 99080-05600 | CIRCLIP | 1 | 25 | 97395-06008 | BOLT | 1 |
| 13 | 6C8-43617-00 | ROD, tilt lock | 1 | 26 | 92990-06600 | WASHER, plate | 1 |
| 14 | 682-43614-00 | PLATE, tilt lock | 1 | | | | |

Fig. 15 STEERING

| Ref.No. | Parts No. | Description | Q'ty | Ref.No. | Parts No. | Description | Q'ty |
|---------|-----------------|-----------------------------------|------|---------|-----------------|---------------------------------------|------|
| 1 | 669-42111-02-EJ | HANDLE, steering | 1 | 12 | 90269-02M09 | RIVET | 1 |
| 2 | 669-42112-01-EJ | HANDLE, steering | 1 | 13 | 668-42177-00 | RUBBER, handle | 1 |
| 3 | 98780-05016 | SCREW, flat head | 3 | 14 | 90386-33M56 | BUSH | 1 |
| 4 | 668-42126-01-94 | FRICITION, steering handle grip | 1 | 15 | 90206-20M14 | WASHER, wave | 1 |
| 5 | 90501-23M42 | SPRING, compression | 1 | 16 | 90201-20M00 | WASHER, plate | 2 |
| 6 | 97890-06030 | SCREW, pan head | 1 | 17 | 90185-20M03 | NUT, self-locking | 1 |
| 7 | 90201-06049 | WASHER, plate | 1 | 18 | 90202-20M33 | WASHER, plate | 1 |
| 8 | 90202-06007 | WASHER, plate | 1 | 19 | 669-W0084-81-EJ | HANDLE STEERING ASSY (F9.9B Model) | 1 UR |
| 9 | 95380-06700 | NUT | 1 | | | | |
| 10 | 668-42119-00 | GRIP, steering handle | 1 | | | | |
| 11 | 668-42137-01 | INDICATOR, throttle (F9.9B Model) | 1 UR | | | | |
| | 6J6-42137-00 | INDICATOR, throttle (F8B Model) | 1 UR | | | | |
| | | | | | 6J7-W0084-81-EJ | HANDLE STEERING ASSY (F8B Model) | 1 UR |

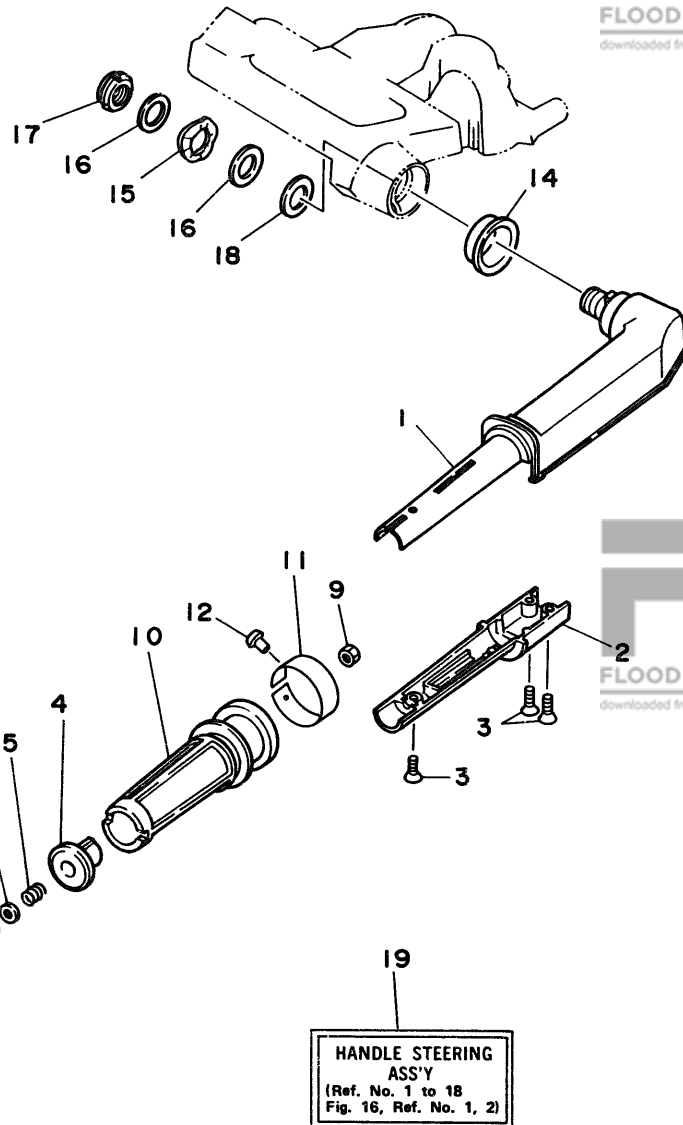
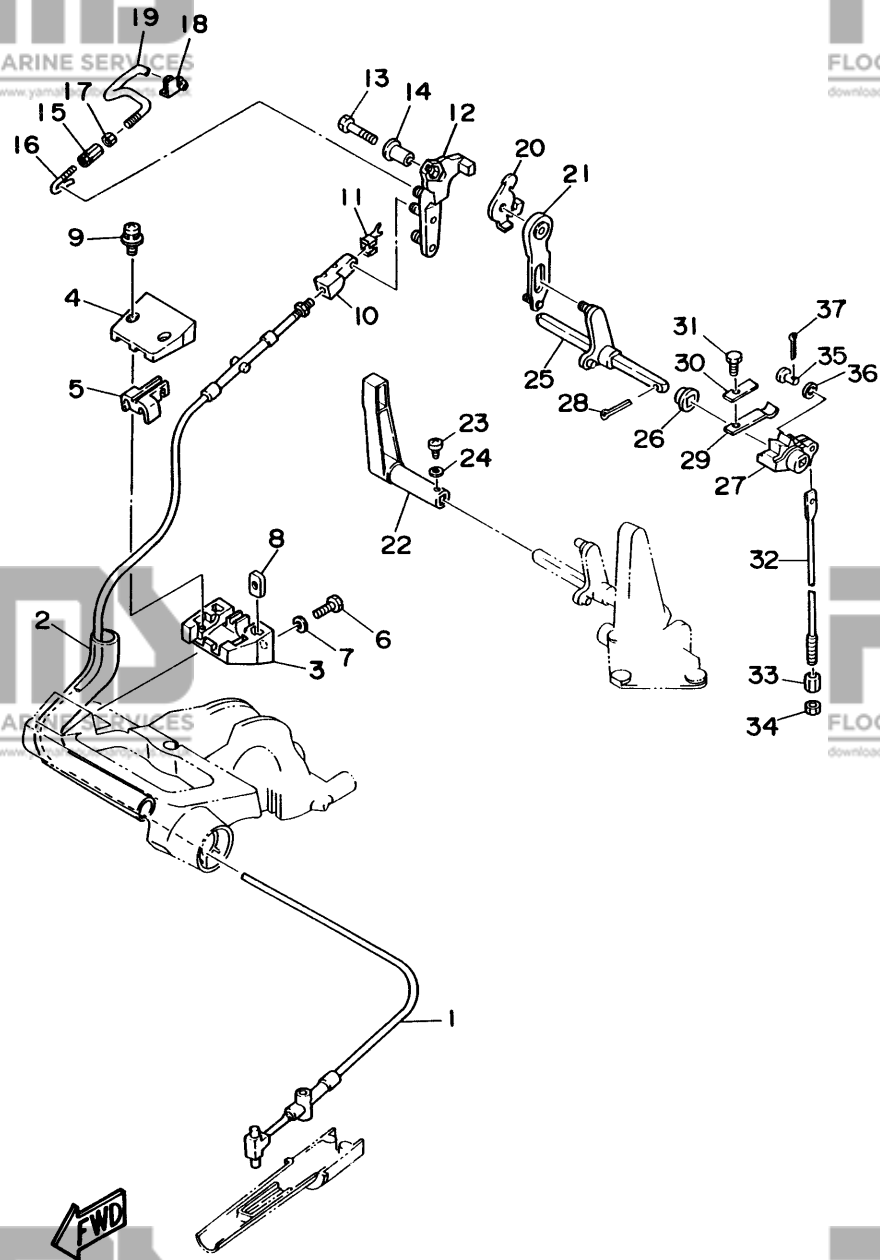


Fig. 16 CONTROL



| Ref.No. | Parts No. | Description | Q'ty | Ref.No. | Parts No. | Description | Q'ty |
|---------|-----------------|---------------------|------|---------|-----------------|----------------------|------|
| 1 | 6G9-48311-02 | CABLE (F9.9B Model) | 1 UR | 20 | 6G8-14493-00 | STAY 1 (F9.9B Model) | 1 UR |
| | 6J7-48311-02 | CABLE (F8B Model) | 1 UR | | 6J6-14493-00 | STAY 1 (F8B Model) | 1 UR |
| 2 | 90445-24M00 | HOSE | 1 | 21 | 6G8-44111-00 | HANDLE, gear shift | 1 |
| 3 | 6G8-41661-00-98 | BRACKET | 1 | 22 | 6G9-44111-00-98 | HANDLE, gear shift | 1 |
| 4 | 6G8-41662-00-98 | BRACKET | 1 | 23 | 98503-04014 | SCREW, pan head | 1 |
| 5 | 6G8-41663-00 | BRACKET 3 | 1 | 24 | 92990-04200 | WASHER, plain | 1 |
| 6 | 97395-06016 | BOLT | 2 | 25 | 6G8-44159-00 | HANDLE, gear shift | 1 |
| 7 | 92990-06600 | WASHER, plate | 2 | 26 | 682-44132-00 | BUSHING | 1 |
| 8 | 6G8-41654-00 | NUT | 2 | 27 | 6G8-44141-00 | LINK, shift rod | 1 |
| 9 | 90159-05M06 | SCREW, with washer | 2 | 28 | 91490-25020 | PIN, cotter | 1 |
| 10 | 6G8-26363-00 | END, cable | 1 | 29 | 682-44116-00 | SPRING | 1 |
| 11 | 6G8-26364-00 | END, cable 2 | 1 | 30 | 682-44117-00 | BRACKET | 1 |
| 12 | 6G8-41212-00 | ARM, accel. | 1 | 31 | 97013-06012 | BOLT | 1 |
| 13 | 97313-06030 | BOLT | 1 | 32 | 6G9-44143-00 | ROD, shift (Short) | 1 UR |
| 14 | 90387-06M58 | COLLAR | 1 | | 6G8-44143-10 | ROD, shift (Long) | 1 UR |
| 15 | 6G8-41238-01 | JOINT, link | 1 | 33 | 90170-06015 | NUT | 1 |
| 16 | 6G8-41241-01 | ROD, link | 1 | 34 | 95380-06700 | NUT | 1 |
| 17 | 95303-04600 | NUT | 1 | 35 | 91790-05020 | PIN, clevis | 1 |
| 18 | 6G8-41237-01 | JOINT, link | 1 | 36 | 92990-05600 | WASHER, plate | 1 |
| 19 | 6G8-41242-01 | ROD 2 | 1 | 37 | 91490-16010 | PIN, cotter | 1 |

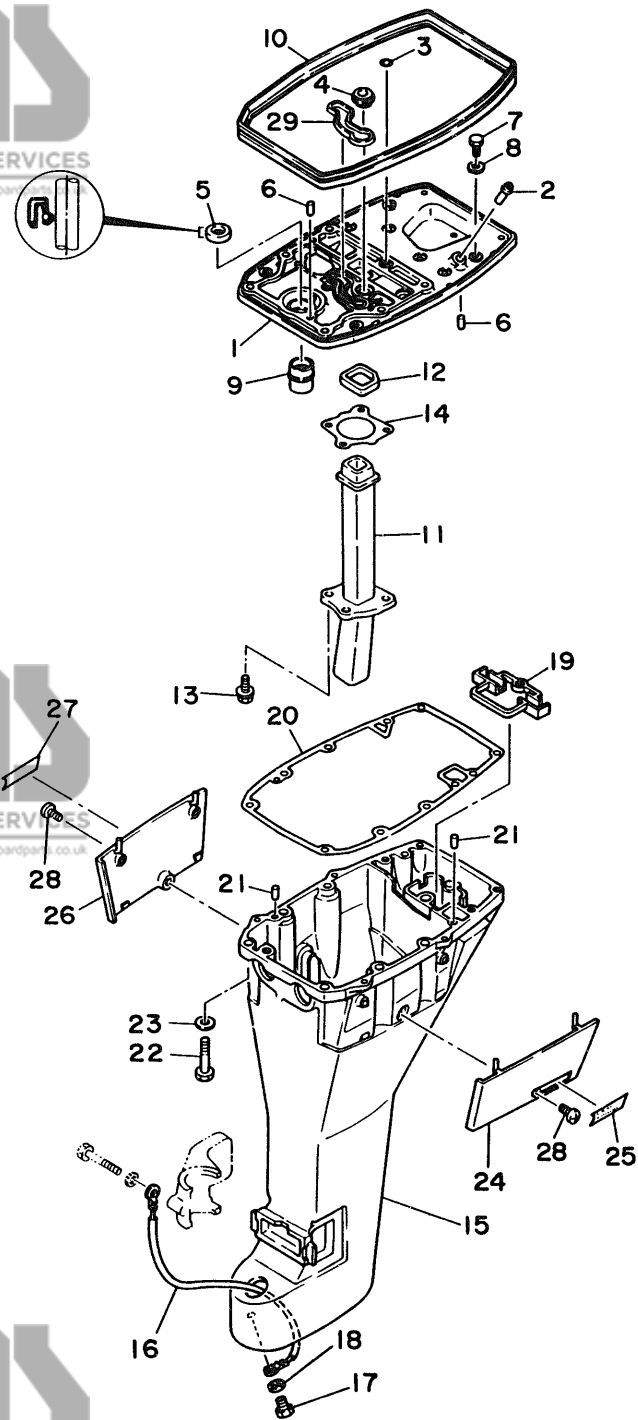
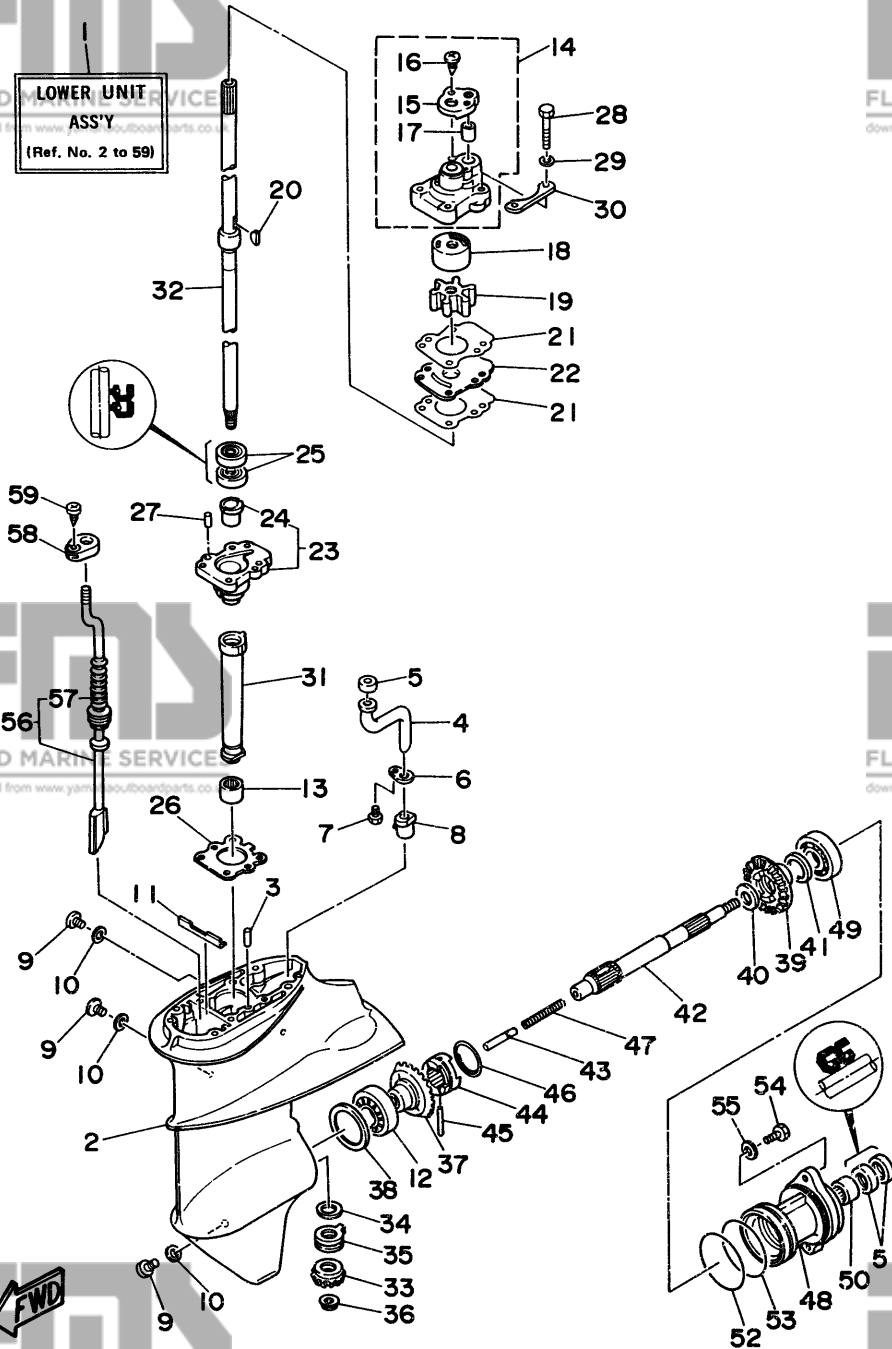


Fig. 17 UPPER CASING

| Ref.No. | Parts No. | Description | Q'ty | Ref.No. | Parts No. | Description | Q'ty |
|---------|-----------------|----------------------------|------|---------|-----------------|----------------------|------|
| 1 | 6G8-41137-03-94 | GUIDE, exhaust | 1 | 15 | 6G8-45111-12-EJ | CASING, upper (Long) | 1 UR |
| 2 | 6E5-24377-00 | PIPE, joint 3 | 1 | 16 | 6G8-82149-00 | WIRE, lead 3 | 1 |
| 3 | 93210-08M60 | O-RING | 1 | 17 | 97395-06012 | BOLT | 1 |
| 4 | 6G8-44367-00 | DAMPER, water seal | 1 | 18 | 92990-06600 | WASHER, plate | 1 |
| 5 | 93101-13M27 | OIL SEAL | 1 | 19 | 6G8-45151-00 | COVER, upper casing | 1 |
| 6 | 93606-12019 | PIN, dowel | 2 | 20 | 6G8-45113-A0 | GASKET, upper casing | 1 |
| 7 | 97313-06020 | BOLT | 2 | 21 | 93606-12019 | PIN, dowel | 2 |
| 8 | 92990-06600 | WASHER, plate | 2 | 22 | 97395-08040 | BOLT | 6 |
| 9 | 6G8-45135-00 | PIPE | 1 | 23 | 92990-08600 | WASHER, plate | 6 |
| 10 | 6G8-42716-00 | RUBBER, seal 1 | 1 | 24 | 6G8-42741-00-EJ | APRON | 1 |
| 11 | 6G8-41131-01 | MANIFOLD, ext. 1 | 1 | 25 | 6G8-42791-00 | MARK 1 | 1 |
| 12 | 6G8-41138-00 | SEAL, ext. 1 | 1 | 26 | 6G8-42771-00-EJ | APRON | 1 |
| 13 | 90105-06M33 | BOLT, washer based | 4 | 27 | 6G8-42792-00 | MARK | 1 |
| 14 | 6G8-41133-A0 | GASKET, exhaust manifold 1 | 1 | 28 | 90157-06M04 | SCREW, pan head | 2 |
| 15 | 6G8-45111-02-EJ | CASING, upper (Short) | 1 UR | 29 | 6G8-11355-00 | SEAL, cylinder 1 | 1 |

Fig. 18 LOWER CASING. DRIVE 1



| Ref.No. | Parts No. | Description | Q'ty | Ref.No. | Parts No. | Description | Q'ty |
|---------|-----------------|----------------------------|------|---------|-----------------|------------------------|------|
| 1 | 6G9-45300-05-EJ | LOWER UNIT ASSY (Short) | 1 UR | 34 | 6E8-45587-00-20 | SHIM (T:1.20MM) | 1 UR |
| | 6G9-45300-15-EJ | LOWER UNIT ASSY (Long) | 1 UR | 35 | 93341-414V1 | BEARING | 1 |
| 2 | 6E8-45311-00-EJ | CASING, lower | 1 | 36 | 90179-08M06 | NUT | 1 |
| 3 | 93604-08062 | PIN, dowel | 1 | 37 | 6E7-45560-00 | GEAR | 1 |
| 4 | 683-44362-01 | TUBE, water | 1 | 38 | 664-45567-01-10 | SHIM (T:0.10MM) | 1 UR |
| 5 | 683-44365-01 | DAMPER, water seal | 1 | | 664-45567-01-12 | SHIM (T:0.12MM) | 1 UR |
| 6 | 683-44373-00 | SET PLATE, water tube | 1 | | 664-45567-01-15 | SHIM (T:0.15MM) | 1 UR |
| 7 | 97395-06010 | BOLT | 1 | | 664-45567-01-18 | SHIM (T:0.18MM) | 1 UR |
| 8 | 6E7-44366-00 | DAMPER, water seal | 1 | | 664-45567-01-30 | SHIM (T:0.30MM) | 1 UR |
| 9 | 90340-08M04 | PLUG, straight screw | 3 | | 664-45567-01-40 | SHIM (T:0.40MM) | 1 UR |
| 10 | 90430-08020 | GASKET | 3 | | 664-45567-01-50 | SHIM (T:0.50MM) | 1 UR |
| 11 | 682-45376-01 | GUIDE, seal damper | 1 | 39 | 6E7-45571-00 | GEAR | 1 |
| 12 | 93332-00005 | BEARING | 1 | 40 | 90201-17682 | WASHER, plate | 1 |
| 13 | 93315-314V8 | BEARING, cylindrical | 1 | 41 | 626-45577-00-01 | SHIM (0.1T) | 1 UR |
| 14 | 682-44300-01 | HOUSING WATER PUMP ASSY | 1 | | 626-45577-00-03 | SHIM (0.3T) | 1 UR |
| 15 | 682-44312-00 | .COVER, water pump housing | 1 | | 626-45577-00-05 | SHIM (0.5T) | 1 UR |
| 16 | 97780-40112 | .SCREW, tapping | 2 | 42 | 683-45611-00 | SHAFT, propeller | 1 |
| 17 | 682-44365-00 | .DAMPER, water seal | 1 | 43 | 650-45635-00 | PLUNGER, shift | 1 |
| 18 | 682-44322-00 | INSERT, cartridge | 1 | 44 | 682-45631-00 | CLUTCH, dog | 1 |
| 19 | 682-44352-01 | IMPELLER | 1 | 45 | 90250-05010 | PIN, straight | 1 |
| 20 | 90280-03024 | KEY, woodruff | 1 | 46 | 648-45633-00 | RING, cross pin | 1 |
| 21 | 682-44315-A0 | GASKET, water pump | 2 | 47 | 90501-14M06 | SPRING, compression | 1 |
| 22 | 682-44323-00 | OUTER PLATE, cartridge | 1 | 48 | 683-45361-01-EJ | CAP, lower casing | 1 |
| 23 | 6E7-45331-00-5B | HOUSING, bearing | 1 | 49 | 93306-00501 | BEARING (B6005) | 1 |
| 24 | 626-45316-09 | .BUSHING, drive shaft | 1 | 50 | 93315-317U2 | BEARING, cylindrical | 1 |
| 25 | 93101-20048 | OIL SEAL | 2 | 51 | 93101-17054 | OIL SEAL | 2 |
| 26 | 683-45315-A0 | PACKING, lower casing | 1 | 52 | 93210-57M09 | O-RING | 1 |
| 27 | 93606-12019 | PIN, dowel | 2 | 53 | 93210-56M80 | O-RING | 1 |
| 28 | 97395-06040 | BOLT | 4 | 54 | 97395-06020 | BOLT | 2 |
| 29 | 92990-06600 | WASHER, plate | 4 | 55 | 92990-06600 | WASHER, plate | 2 |
| 30 | 682-44328-00 | PLATE | 2 | 56 | 669-44150-00 | SHIFT CAM ASSY (Short) | 1 UR |
| 31 | 6E7-45536-00 | SLEEVE, drive shaft | 1 | | 669-44150-10 | SHIFT CAM ASSY (Long) | 1 UR |
| 32 | 669-45501-00 | DRIVE SHAFT COMP. (Short) | 1 UR | 57 | 682-44147-00 | .BOOT, shift rod | 1 |
| | 669-45501-10 | DRIVE SHAFT COMP. (Long) | 1 UR | 58 | 682-44176-00 | BRACKET | 1 |
| 33 | 6E7-45551-00 | PINION | 1 | 59 | 97780-50110 | SCREW, tapping | 1 |
| 34 | 6E8-45587-00-13 | SHIM (T:1.13MM) | 1 UR | | | | |

Fig. 19 LOWER CASING. DRIVE 2

| Ref.No. | Parts No. | Description | Q'ty | Ref.No. | Parts No. | Description | Q'ty |
|---------|--------------|--|------|---------|-----------------|--------------------------------|------|
| 1 | 93606-12019 | PIN, dowel | 2 | 14 | 683-45949-00-EL | PROPELLER (3X9-1/2"X6-1/2"-J) | 1 UR |
| 2 | 97090-08035 | BOLT | 4 | | 683-45947-00-EL | PROPELLER (3X9-1/4"X8"-J) | 1 UR |
| 3 | 92990-08600 | WASHER, plate | 4 | | 683-45945-00-EL | PROPELLER (3X9-1/4"X9"-J) | 1 UR |
| 4 | 6E8-45251-01 | ANODE | 1 | | 683-45952-00-EL | PROPELLER (3X9-1/4"X9-3/4"-J) | 1 UR |
| 5 | 97395-06020 | BOLT | 1 | | 683-45943-00-EL | PROPELLER (3X9-1/4"X10-1/2"-J) | 1 UR |
| 6 | 92990-06600 | WASHER, plate | 1 | | 683-45941-00-EL | PROPELLER (3X9-1/4"X12"-J) | 1 UR |
| 7 | 6E7-45214-00 | COVER, water inlet | 1 | | | DUAL THRUST PROPELLER | |
| 8 | 98520-05012 | SCREW, pan head | 1 | 15 | 683-W4591-02-EL | PROPELLER (3X9-3/4"X8"-J) | 1 UR |
| 9 | 682-45375-01 | DAMPER, seal | 1 | | 683-W4592-02-EL | PROPELLER (3X9-3/4"X6-1/2"-J) | 1 UR |
| 10 | 669-44361-00 | TUBE, water (Short) | 1 UR | 16 | 6E7-45986-00 | .RING, deflector | 1 |
| | 668-44361-10 | TUBE, water (Long) | 1 UR | 17 | 90171-10M07 | .NUT, castle | 1 |
| 11 | 626-44365-01 | DAMPER, water seal | 1 | 18 | 90201-10M02 | .WASHER, plate | 1 |
| 12 | 90171-10M01 | NUT, castle | 1 | 19 | 669-45987-00 | SPACER | 1 |
| 13 | 91490-30020 | PIN, cotter | 1 UR | 20 | 90201-10M01 | WASHER, plate | 1 |
| | 91490-30030 | PIN, cotter (For Dual Thrust Prop.) | 1 UR | 21 | 93450-10M05 | CIRCLIP | 1 |

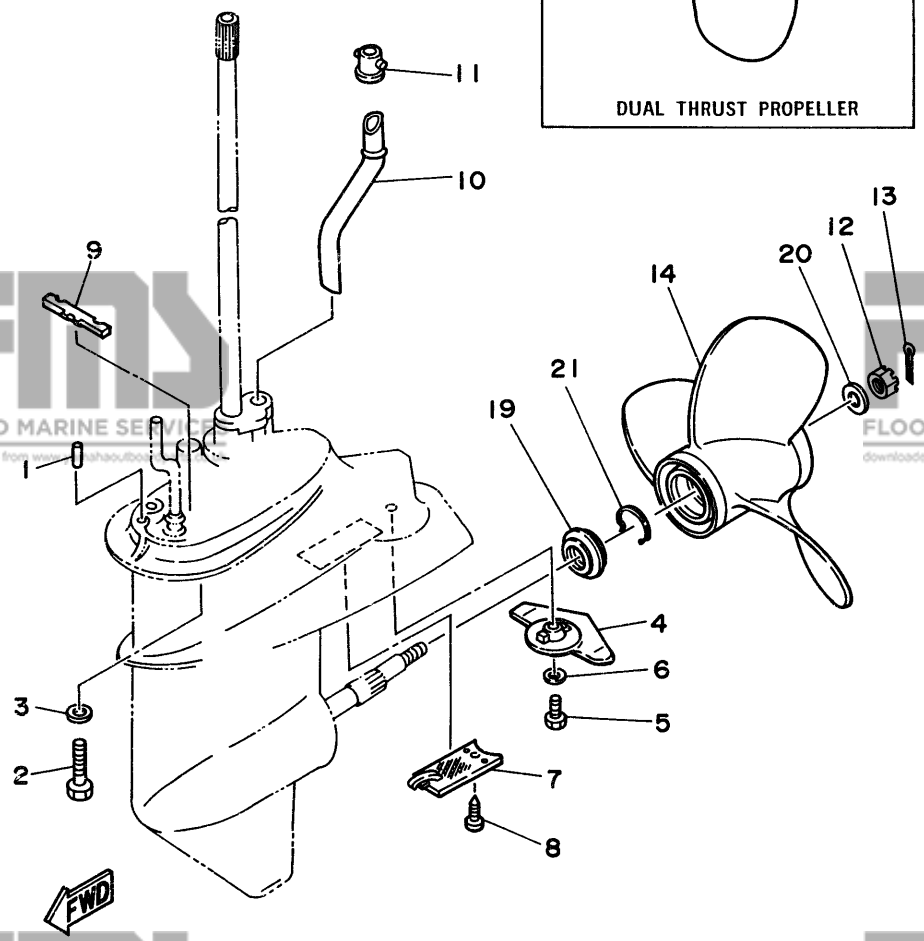
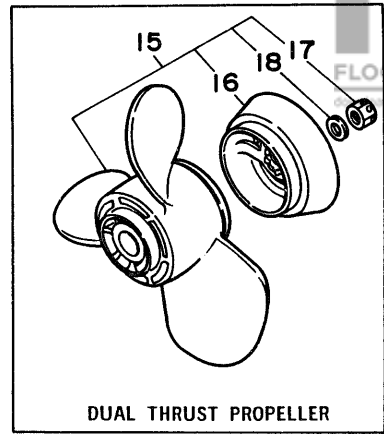


Fig. 20 GENERATOR

| Ref.No. | Parts No. | Description | Q'ty | Ref.No. | Parts No. | Description | Q'ty |
|---------|-----------------|-----------------|------|---------|--------------|-----------------|------|
| 1 | 668-85550-11 | ROTOR ASSY | 1 | 12 | 92990-06600 | WASHER, plate | 1 |
| 2 | 669-85510-01 | STATOR ASSY | 1 | 13 | 99510-08012 | PIN, dowel | 2 |
| 3 | 668-85561-00-94 | BASE, magneto | 1 | 14 | 668-81337-00 | COVER, flywheel | 1 |
| 4 | 95023-06025 | ROLT | 3 | 15 | 668-42752-00 | SHAFT | 1 |
| 5 | 668-85580-02 | COIL, pulser | 1 | 16 | 668-81323-00 | SCREW 1 | 1 |
| 6 | 98580-05012 | SCREW, pan head | 2 | 17 | 90480-15M31 | GROMMET | 1 |
| 7 | 92990-05100 | WASHER, spring | 2 | 18 | 90387-06M71 | COLLAR | 2 |
| 8 | 92990-05600 | WASHER, plate | 2 | 19 | 90280-16053 | KEY, woodruff | 1 |
| 9 | 92580-06025 | SCREW, pan head | 2 | 20 | 90170-12066 | NUT | 1 |
| 10 | 92990-06600 | WASHER, plate | 2 | 21 | 90201-12472 | WASHER, plate | 1 |
| 11 | 98580-06020 | SCREW, pan head | 1 | | | | |

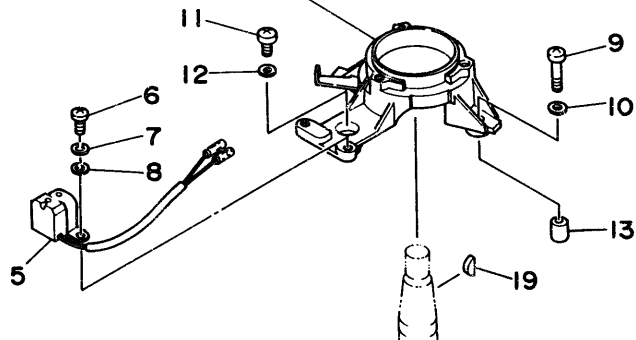
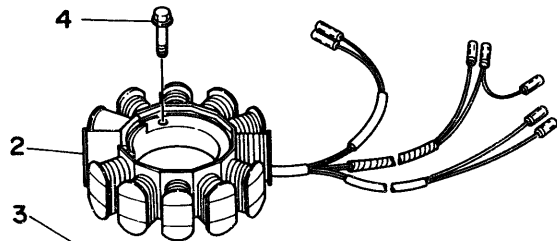
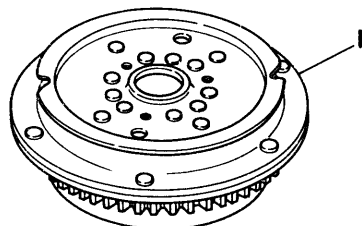
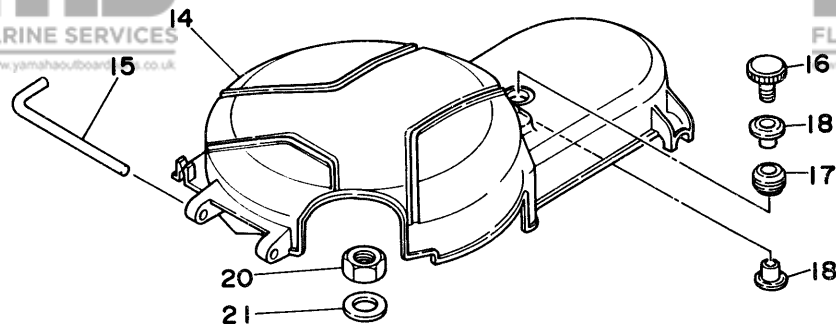
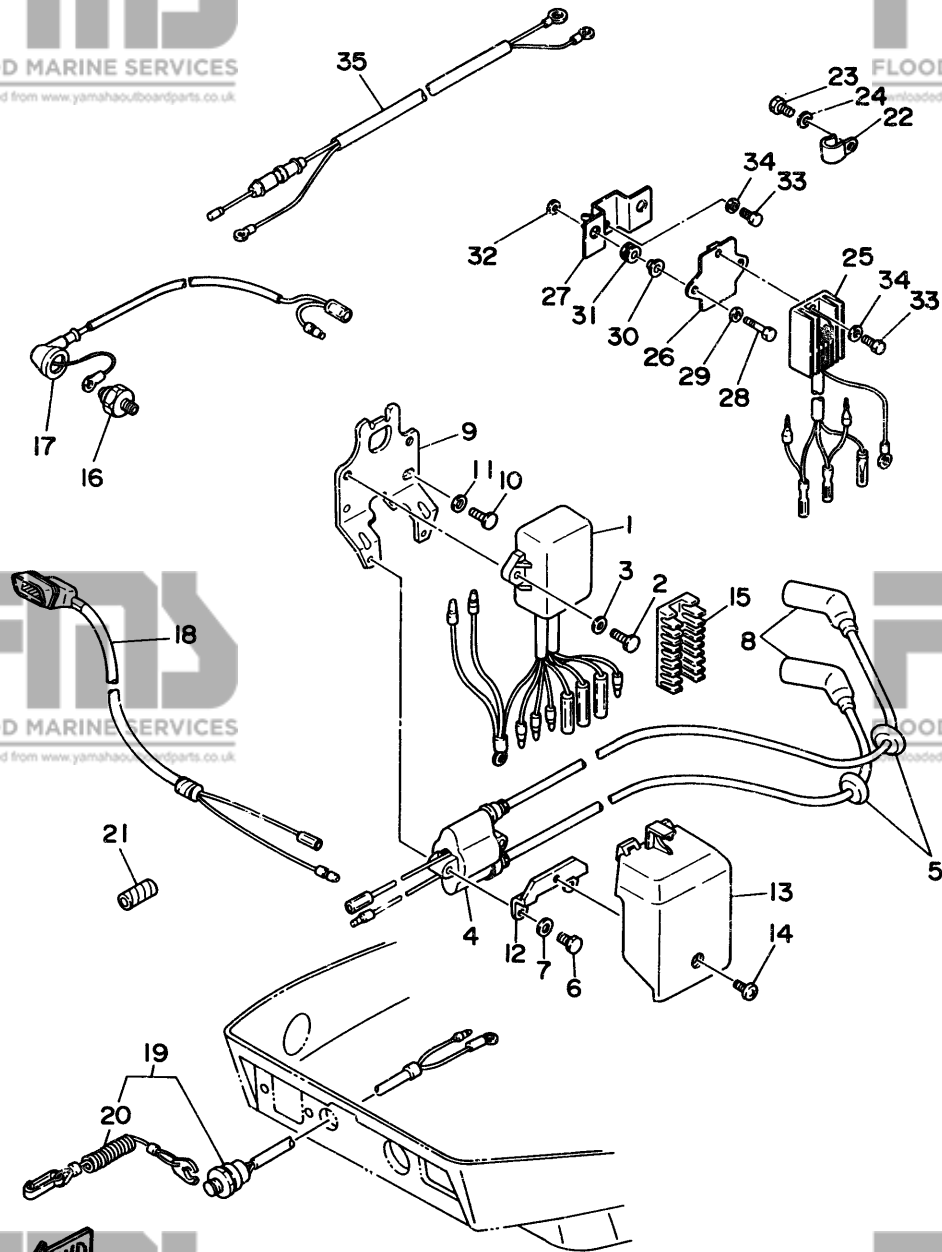


Fig. 21 ELECTRIC PARTS

| Ref.No. | Parts No. | Description | Qty | Ref.No. | Parts No. | Description | Qty |
|---------|--------------|--------------------------|-----|---------|--------------|----------------------------|------|
| 1 | 6G9-85540-21 | C.D.I. UNIT ASSY | 1 | 19 | 6G9-82575-00 | ENGINE STOP SWITCH ASSY | 1 |
| 2 | 97395-06020 | BOLT | 2 | 20 | 682-82556-00 | .STOPPER | 1 |
| 3 | 92990-06600 | WASHER, plate | 2 | 21 | 90446-10M02 | HOSE | 1 |
| 4 | 6G8-85570-21 | IGNITION COIL ASSY | 1 | 22 | 90465-08028 | CLAP | 1 |
| 5 | 90480-25161 | GROMMET | 2 | 23 | 97013-06012 | BOLT | 1 |
| 6 | 97395-06025 | BOLT | 2 | 24 | 92990-06600 | WASHER, plate | 1 |
| 7 | 92990-06600 | WASHER, plate | 2 | 25 | 6J8-81960-00 | RECTIFIER & REGULATOR ASSY | 1 |
| 8 | 6G8-82370-20 | PLUG CAP ASSY | 2 | 26 | 6G9-81948-00 | BRACKET | 1 |
| 9 | 6G8-85542-00 | BRACKET | 1 | 27 | 6G8-81948-02 | BRACKET | 1 |
| 10 | 97395-06020 | BOLT | 2 | 28 | 97395-06025 | BOLT | 2 |
| 11 | 92990-06600 | WASHER, plate | 2 | 29 | 92990-06600 | WASHER | 2 |
| 12 | 6G8-85525-00 | PLATE | 1 | 30 | 90387-06M70 | COLLAR | 2 |
| 13 | 6G8-81916-00 | COVER, terminal | 1 | 31 | 90480-13M24 | GROMMET | 2 |
| 14 | 98980-06008 | SCREW, bind | 1 | 32 | 95303-06700 | NUT | 2 |
| 15 | 6G8-82522-00 | CLAMP, coupler | 1 | 33 | 97313-06016 | BOLT | 2 |
| 16 | 6G8-82504-00 | OIL PRESSURE SWITCH ASSY | 1 | 34 | 92990-06600 | WASHER, plate | 2 |
| 17 | 6G8-82127-00 | WIRE, lead 2 | 1 | 35 | 6J8-82105-10 | WIRE, harness | 1 AP |
| 18 | 6G8-83582-01 | PILOT LIGHT ASSY | 1 | | | | |



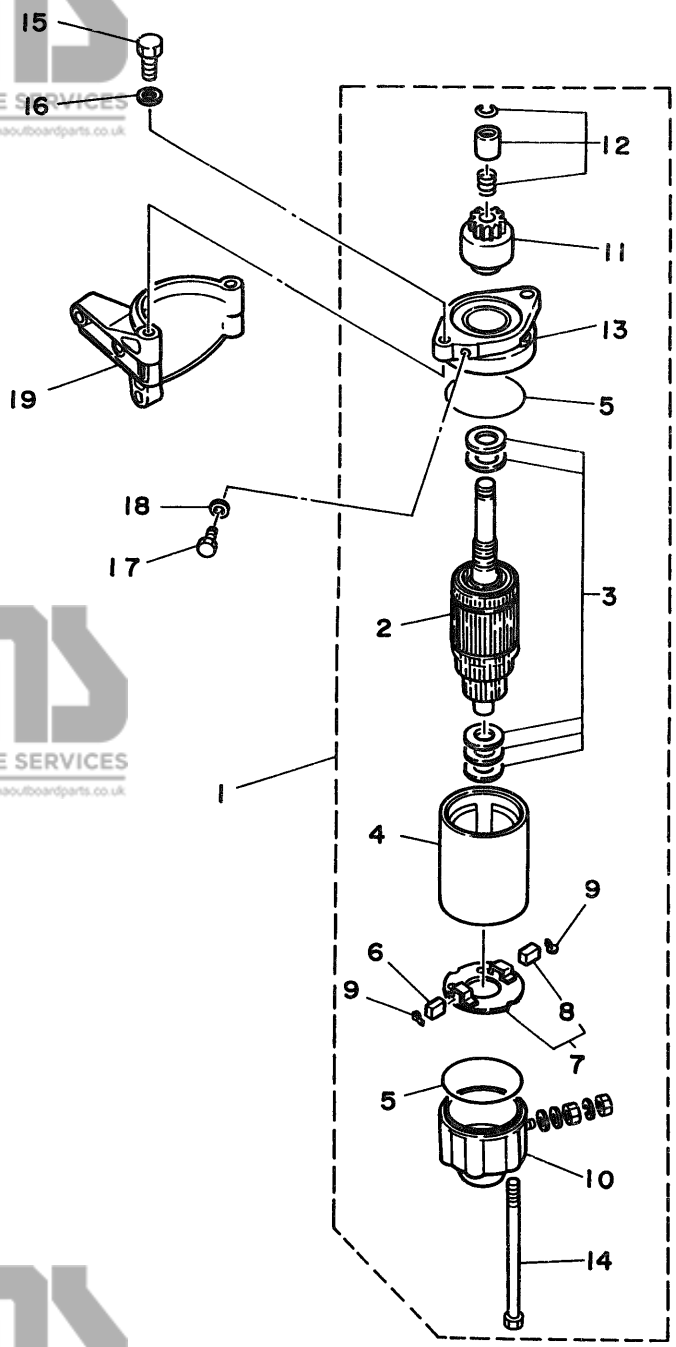


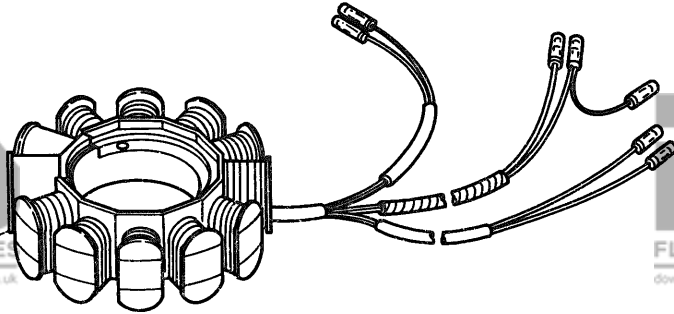
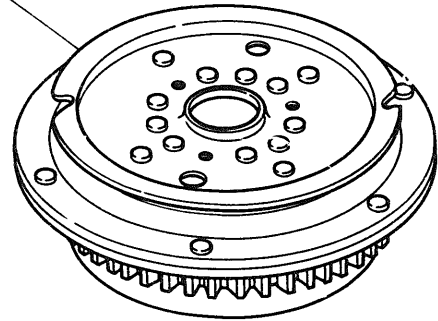
Fig. 22 ELECTRIC MOTOR (F88EM/F88E/F9.9BEM/F9.9BE MODEL)

| Ref.No. | Parts No. | Description | Q'ty | Ref.No. | Parts No. | Description | Q'ty |
|---------|--------------|---------------------|------|---------|-----------------|----------------------------|------|
| 1 | 668-81800-11 | STARTING MOTOR ASSY | 1 | 11 | 689-81807-12 | .GEAR ASSY, starting motor | 1 |
| 2 | 689-81850-12 | .ARMATURE ASSY | 1 | 12 | 689-81857-11 | .RETAINER | 1 |
| 3 | 689-81809-11 | .WASHER KIT | 1 | 13 | 6F5-81830-11 | .FRONT BRACKET ASSY | 1 |
| 4 | 689-81810-11 | .STATOR ASSY | 1 | 14 | 689-81826-10 | .BOLT | 2 |
| 5 | 689-81847-11 | .O-RING | 2 | 15 | 97013-08025 | BOLT | 2 |
| 6 | 689-81811-11 | .BRUSH 1 | 1 | 16 | 92990-08600 | WASHER, plate | 2 |
| 7 | 689-81840-11 | .BRUSH HOLDER ASSY | 1 | 17 | 97395-08016 | BOLT | 1 |
| 8 | 689-81812-11 | ..BRUSH 2 | 1 | 18 | 92990-08600 | WASHER, plate | 1 |
| 9 | 689-81813-10 | .SPRING, brush | 2 | 19 | 668-81822-40-94 | BRACKET, starting motor | 1 |
| 10 | 689-81820-11 | .REAR BRACKET ASSY | 1 | | | | |

D3

Fig. 23 GENERATOR (F8BEM/F8BE/F9.9BEM/F9.9BE MODEL)

| Ref.No. | Parts No. | Description | Q'ty | Ref.No. | Parts No. | Description | Q'ty |
|---------|--------------|-------------|------|---------|--------------|-------------|------|
| 1 | 668-85550-01 | ROTOR ASSY | 1 | 2 | 669-85510-01 | STATER ASSY | 1 |



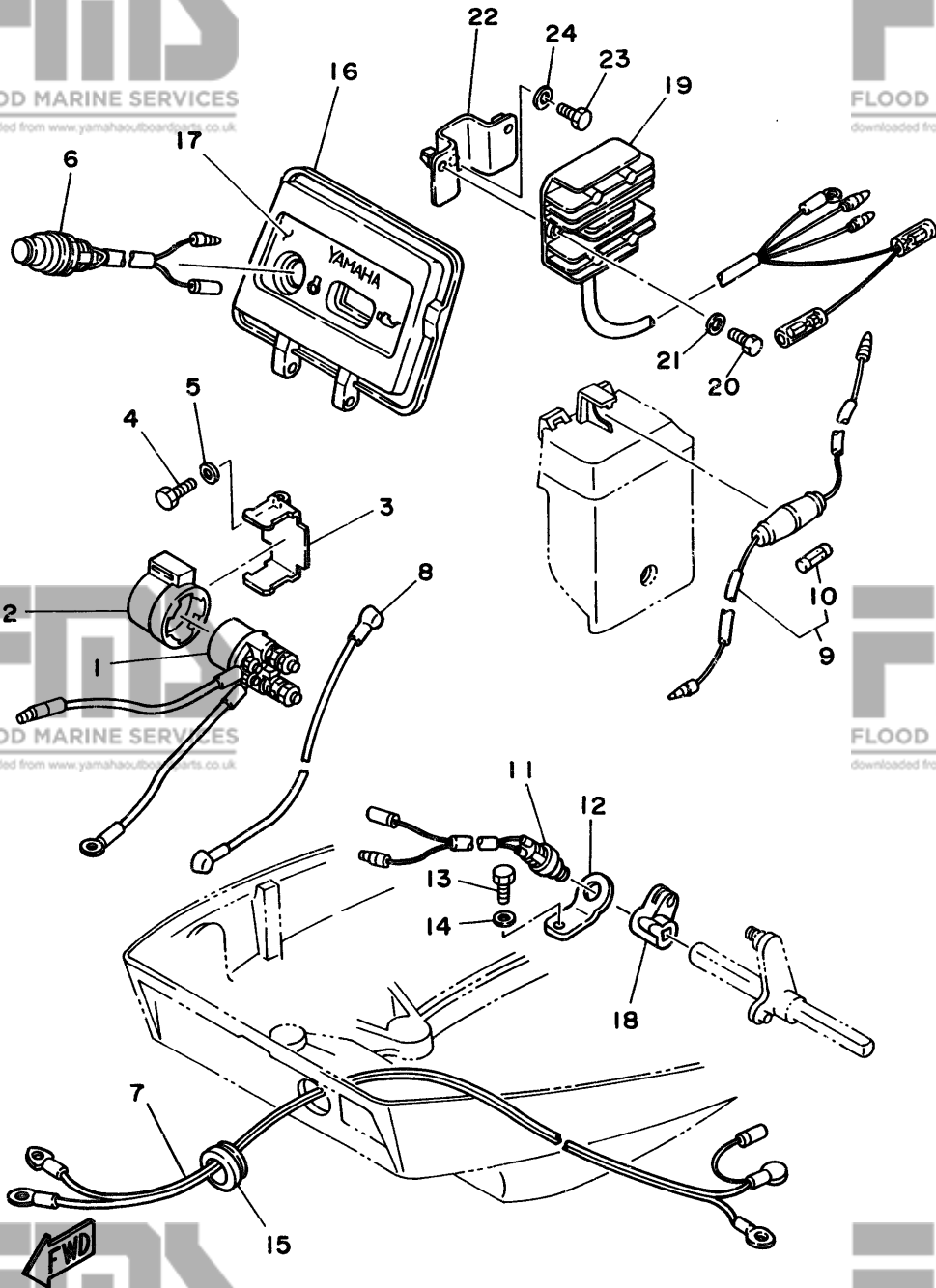
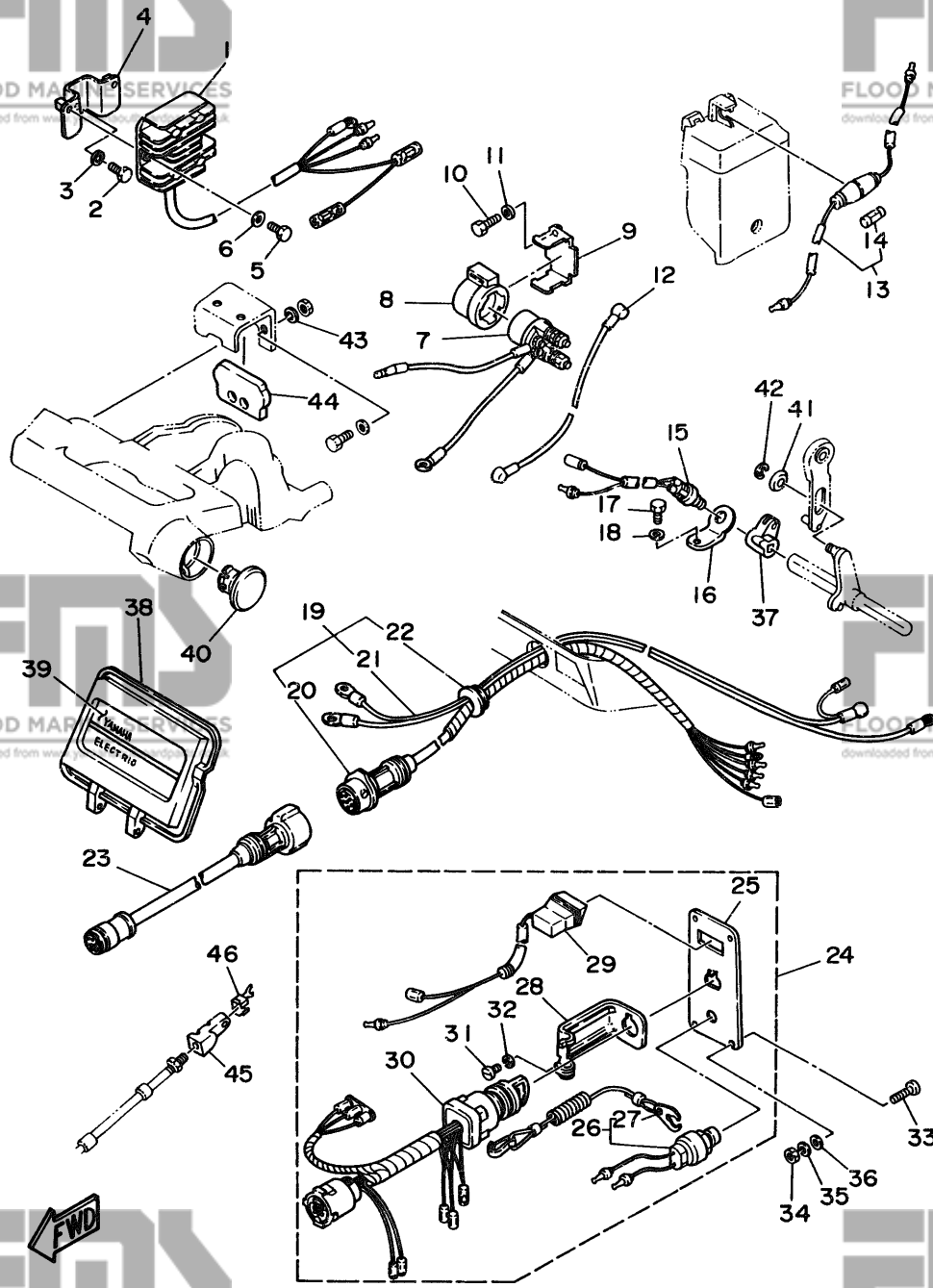


Fig. 24 ELECTRIC PARTS 1 (F88EM/F9.9BEM MODEL)

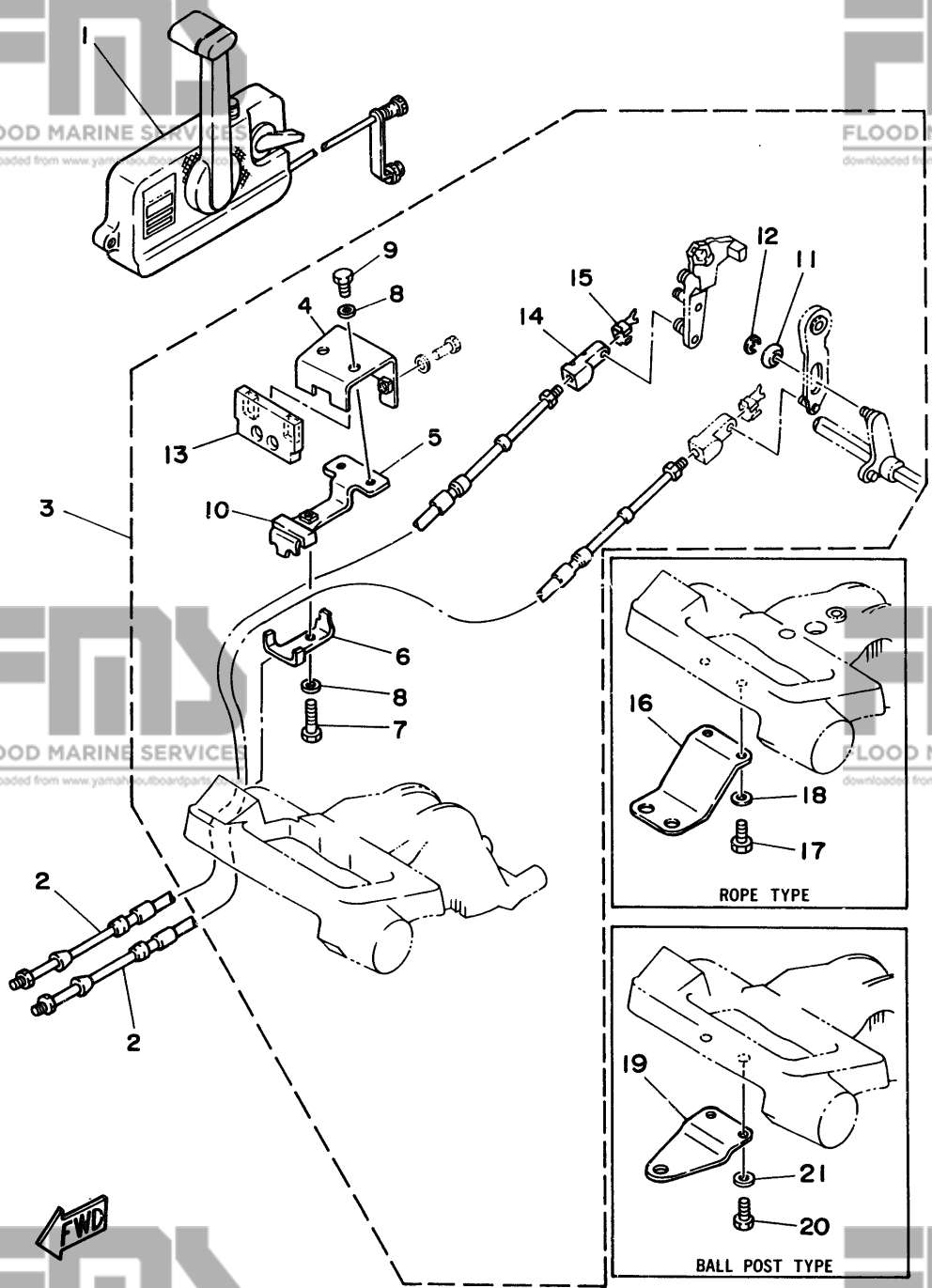
| Ref.No. | Parts No. | Description | Q'ty | Ref.No. | Parts No. | Description | Q'ty |
|---------|--------------|----------------------|------|---------|--------------|----------------------------|------|
| 1 | 6J0-81941-10 | STARTER RELAY ASSY | 1 | 13 | 97013-06012 | BOLT | 1 |
| 2 | 6G1-81952-00 | HOLDER, relay | 1 | 14 | 92990-06600 | WASHER, plate | 1 |
| 3 | 6G8-81953-00 | STAY, relay | 1 | 15 | 6G8-42724-40 | GROMMET | 1 |
| 4 | 97013-06012 | BOLT | 1 | 16 | 6G8-W4261-10 | PANEL, front upper | 1 |
| 5 | 92990-06600 | WASHER, plate | 1 | 17 | 6G8-42677-10 | GRAPHIC, front | 1 |
| 6 | 6G8-81870-00 | STARTING SWITCH ASSY | 1 | 18 | 6G8-44125-00 | LEVER, shift rod | 1 |
| 7 | 6G8-82105-00 | WIRE HARNESS | 1 | 19 | 6G8-81960-A1 | RECTIFIER & REGULATOR ASSY | 1 |
| 8 | 6G8-82117-00 | WIRE, lead | 1 | 20 | 97313-06016 | BOLT | 2 |
| 9 | 6G8-82150-00 | FUSE HOLDER ASSY | 1 | 21 | 92990-06600 | WASHER, plate | 2 |
| 10 | 682-82151-00 | FUSE (12V-20A) | 1 | 22 | 6G8-81948-02 | BRACKET | 1 |
| 11 | 6H3-82540-00 | NEUTRAL SWITCH ASSY | 1 | 23 | 97313-06016 | BOLT | 1 |
| 12 | 6G8-82554-00 | STAY, neutral switch | 1 | 24 | 92990-06600 | WASHER, plate | 1 |

Fig. 25 ELECTRIC PARTS 2 (F8BE/F9.9BE MODEL)

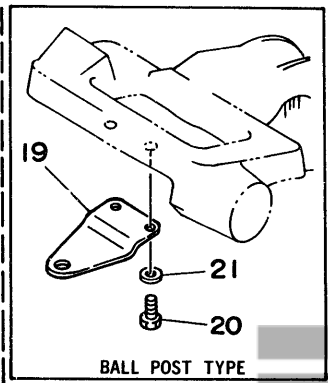
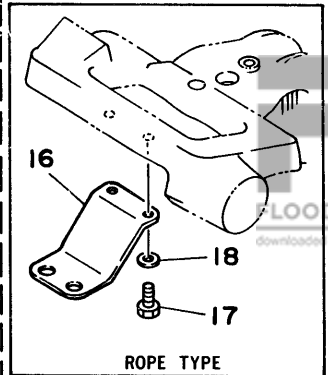


| Ref.No. | Parts No. | Description | Q'ty | Ref.No. | Parts No. | Description | Q'ty |
|---------|--------------|------------------------------------|------|---------|--------------|--------------------------|------|
| 1 | 6G8-81960-A1 | RECTIFIER & REGULATOR ASSY | 1 | 24 | 6G8-82570-02 | PANEL SWITCH ASSY | 1 |
| 2 | 97313-06016 | BOLT | 2 | 25 | 6G8-82571-01 | .PANEL, switch | 1 |
| 3 | 92990-06600 | WASHER, plate | 2 | 26 | 688-82575-01 | .ENGINE STOP SWITCH ASSY | 1 |
| 4 | 6G8-81948-02 | BRACKET | 1 | 27 | 682-82556-00 | ..STOPPER | 1 |
| 5 | 97313-06016 | BOLT | 1 | 28 | 663-82581-01 | .STAY, cord clamp | 1 |
| 6 | 92990-06600 | WASHER, plate | 1 | 29 | 6G8-83582-01 | .PILOT LIGHT ASSY | 1 |
| 7 | 6J0-81941-10 | STARTER RELAY ASSY | 1 | 30 | 6G8-82510-00 | .MAIN SWITCH ASSY | 1 |
| 8 | 6G1-81952-00 | HOLDER, relay | 1 | 31 | 98980-04008 | .SCREW, bind | 1 |
| 9 | 6G8-81953-00 | STAY, relay | 1 | 32 | 92903-04100 | .WASHER, spring | 1 |
| 10 | 97013-06012 | BOLT | 1 | 33 | 90149-05M05 | SCREW | 4 |
| 11 | 92990-06600 | WASHER, plate | 1 | 34 | 95303-05600 | NUT | 4 |
| 12 | 6G8-82117-00 | WIRE, lead | 1 | 35 | 92990-05100 | WASHER, spring | 4 |
| 13 | 6G8-82150-00 | FUSE HOLDER ASSY | 1 | 36 | 92990-05600 | WASHER, plate | 4 |
| 14 | 682-82151-00 | .FUSE (12V-20A) | 1 | 37 | 6G8-44125-00 | LEVER, shift rod | 1 |
| 15 | 6H3-82540-00 | NEUTRAL SWITCH ASSY | 1 | 38 | 6G8-W4261-10 | PANEL, front upper | 1 |
| 16 | 6G8-82554-00 | STAY, neutral switch | 1 | 39 | 6G8-42677-20 | GRAPHIC, front | 1 |
| 17 | 97013-06012 | BOLT | 1 | 40 | 6G8-42551-00 | GROMMET | 1 |
| 18 | 92990-06600 | WASHER, plate | 1 | 41 | 90387-06M73 | COLLAR | 1 |
| 19 | 6G8-82580-00 | WIRE HARNESS ASSY 2 | 1 | 42 | 93430-04M03 | CIRCLIP | 1 |
| 20 | 6G8-82590-00 | .WIRE HARNESS ASSY | 1 | 43 | 92990-06600 | WASHER, plate | 2 |
| 21 | 6G8-82105-00 | .WIRE HARNESS | 1 | 44 | 6G8-48351-51 | SEAL, rubber | 1 |
| 22 | 6G8-42724-50 | .GROMMET | 1 | 45 | 6G8-26363-00 | END, cable | 1 |
| 23 | 688-82586-50 | EXTENSION, wireharness (L:5m) (7P) | 1 | 46 | 6G8-26364-00 | END, cable 2 | 1 |

Fig. 26 REMOTE CONTROL



| Ref.No. | Parts No. | Description | Q'ty | Ref.No. | Parts No. | Description | Q'ty |
|---------|--------------|--------------------------------------|------|---------|--------------|---------------------------------|------|
| 1 | 701-48101-11 | REMOTE CONTROL ASSY (See Fig. 27) | 1 | 3 | 668-48501-03 | REMOTE CONT. ATTACHMENT ASSY | 1 |
| 2 | 701-48310-10 | CABLE, remote control (L:6F) | 2 UR | 4 | 668-48531-51 | .BRACKET, remote control 1 | 1 |
| | 701-48310-20 | CABLE, remote control (L:7F) | 2 UR | 5 | 668-48532-50 | .BRACKET, remote control 2 | 1 |
| | 701-48310-40 | CABLE, remote control (L:8F) | 2 UR | 6 | 668-48538-50 | .CLAMP, cable 1 | 1 |
| | 701-48310-60 | CABLE, remote control (L:9F) | 2 UR | 7 | 97395-06030 | .BOLT | 1 |
| | 701-48310-80 | CABLE, remote control (L:10F) | 2 UR | 8 | 92990-06600 | .WASHER, plate | 3 |
| | 701-48310-90 | CABLE, remote control (L:11F) | 2 UR | 9 | 97395-06012 | .BOLT | 2 |
| | 701-48320-00 | CABLE, remote control (L:12F) | 2 UR | 10 | 668-48565-50 | .GROMMET | 1 |
| | 701-48320-20 | CABLE, remote control (L:13F) | 2 UR | 11 | 90387-06M73 | .COLLAR | 1 |
| | 701-48320-30 | CABLE, remote control (L:14F) | 2 UR | 12 | 93430-04M03 | .CIRCLIP | 1 |
| | 701-48320-50 | CABLE, remote control (L:15F) | 2 UR | 13 | 668-48351-51 | .SEAL, rubber | 1 |
| | 701-48320-60 | CABLE, remote control (L:16F) | 2 UR | 14 | 668-26363-00 | .END, cable | 1 |
| | 701-48320-80 | CABLE, remote control (L:17F) | 2 UR | 15 | 668-26364-00 | .END, cable 2 | 1 |
| | 701-48320-90 | CABLE, remote control (L:18F) | 2 UR | 16 | 668-48511-00 | HOOK, steering (Rope Type) | 1 AP |
| | 701-48320-40 | CABLE, remote control (L:19F) | 2 UR | 17 | 97395-06016 | BOLT | 2 |
| | 701-48320-70 | CABLE, remote control (L:20F) | 2 UR | 18 | 92990-06600 | WASHER, plate | 2 |
| | 701-48350-00 | CABLE, remote control (L:21F) | 2 UR | 19 | 668-48511-10 | HOOK, steering (Ball Post Type) | 1 AP |
| | 701-48350-10 | CABLE, remote control (L:22F) | 2 UR | 20 | 97395-06016 | BOLT | 2 |
| | 701-48350-20 | CABLE, remote control (L:23F) | 2 UR | 21 | 92990-06600 | WASHER, plate | 2 |



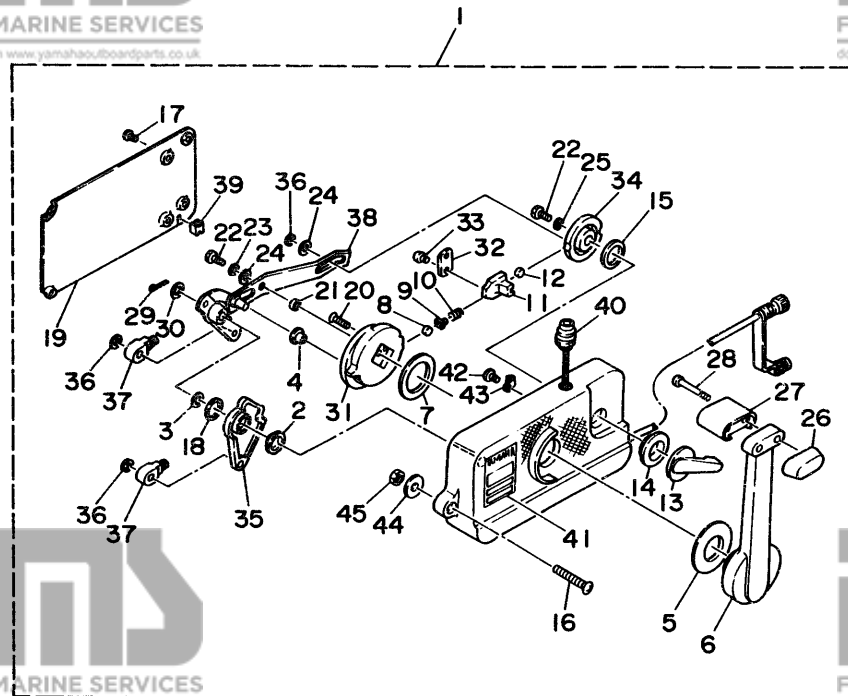
D7

FMS
FLOOD MARINE SERVICES
downloaded from www.yamahaoutboardparts.co.uk

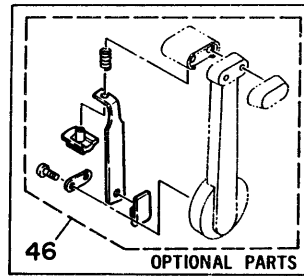
FMS
FLOOD MARINE SERVICES
downloaded from www.yamahaoutboardparts.co.uk

FMS
FLOOD MARINE SERVICES
downloaded from www.yamahaoutboardparts.co.uk

Fig. 27 REMOTE CONTROL ASSY



| Ref.No. | Parts No. | Description | Q'ty | Ref.No. | Parts No. | Description | Q'ty |
|---------|--------------|----------------------|------|---------|--------------|------------------------------|------|
| 1 | 701-48101-11 | REMOTE CONTROL ASSY | 1 | 24 | 701-48246-00 | .SPACER | 2 |
| 2 | 701-48235-00 | .BUSHING | 1 | 25 | 92990-06300 | .WASHER, internal tooth | 1 |
| 3 | 701-48197-10 | .WASHER, wave | 1 | 26 | 701-48229-00 | .GRIP, control lever | 1 |
| 4 | 701-48252-00 | .ROLLER, cam | 1 | 27 | 701-48222-00 | .GRIP, control lever | 1 |
| 5 | 701-48234-00 | .BUSHING 1 | 1 | 28 | 98580-05555 | .SCREW | 2 |
| 6 | 701-48221-00 | .LEVER, control | 1 | 29 | 701-48239-00 | .SET PIN, plate | 1 |
| 7 | 701-48196-11 | .WASHER, wave | 1 | 30 | 701-48266-00 | .SPACER | 1 |
| 8 | 701-48236-00 | .ROLLER, detent | 1 | 31 | 701-48232-00 | .GEAR | 1 |
| 9 | 702-48237-00 | .ADAPTOR | 1 | 32 | 701-48189-11 | .RETAINER | 1 |
| 10 | 702-48238-00 | .SPRING, detent | 1 | 33 | 98580-05010 | .SCREW, pan head | 2 |
| 11 | 701-48249-00 | .ADAPTOR, spring | 1 | 34 | 701-48153-12 | .SHAFT, free accel. | 1 |
| 12 | 701-48248-00 | .ROLLER, free accel. | 1 | 35 | 701-48271-00 | .ARM, shift | 1 |
| 13 | 701-48152-11 | .KNOB, free accel. | 1 | 36 | 93430-06024 | .CIRCLIP | 3 |
| 14 | 701-48243-00 | .BUSHING | 1 | 37 | 703-48345-01 | .CABLE END, remote control 2 | 2 |
| 15 | 701-48198-10 | .WASHER, wave | 1 | 38 | 701-48261-00 | .ARM, throttle | 1 |
| 16 | 701-48281-10 | .SCREW | 3 | 39 | 701-48358-00 | .ANCHOR, cable | 1 |
| 17 | 98580-05010 | .SCREW, pan head | 4 | 40 | 701-82550-50 | ENGINE STOP SWITCH ASSY | 1 |
| 18 | 701-48268-00 | .SPACER | 1 | 41 | 701-48126-00 | .GRAPHIC | 1 |
| 19 | 701-48213-00 | .PLATE | 1 | 42 | 701-48283-00 | .SCREW | 1 |
| 20 | 92780-06025 | .SCREW, flat head | 2 | 43 | 701-82594-00 | .CLAMP | 1 |
| 21 | 701-48255-00 | .COLLAR | 1 | 44 | 701-48287-00 | .WASHER | 3 |
| 22 | 97395-06018 | .BOLT | 2 | 45 | 95380-06600 | .NUT | 3 |
| 23 | 702-48288-00 | .WASHER, plain | 1 | 46 | 701-48280-00 | NEUTRAL LOCK KIT | 1 AP |



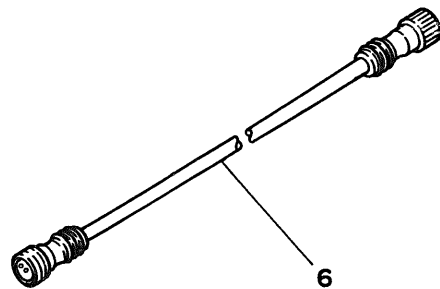
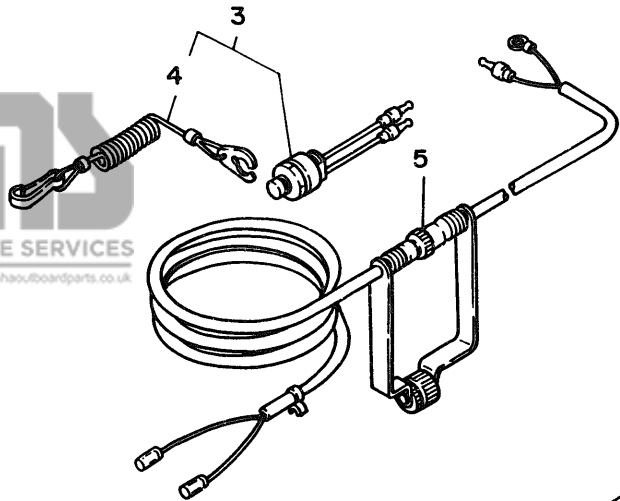
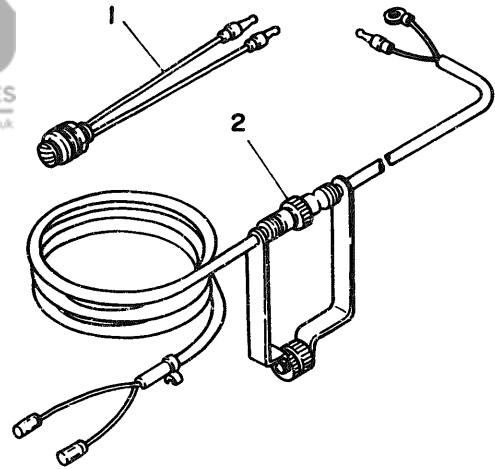
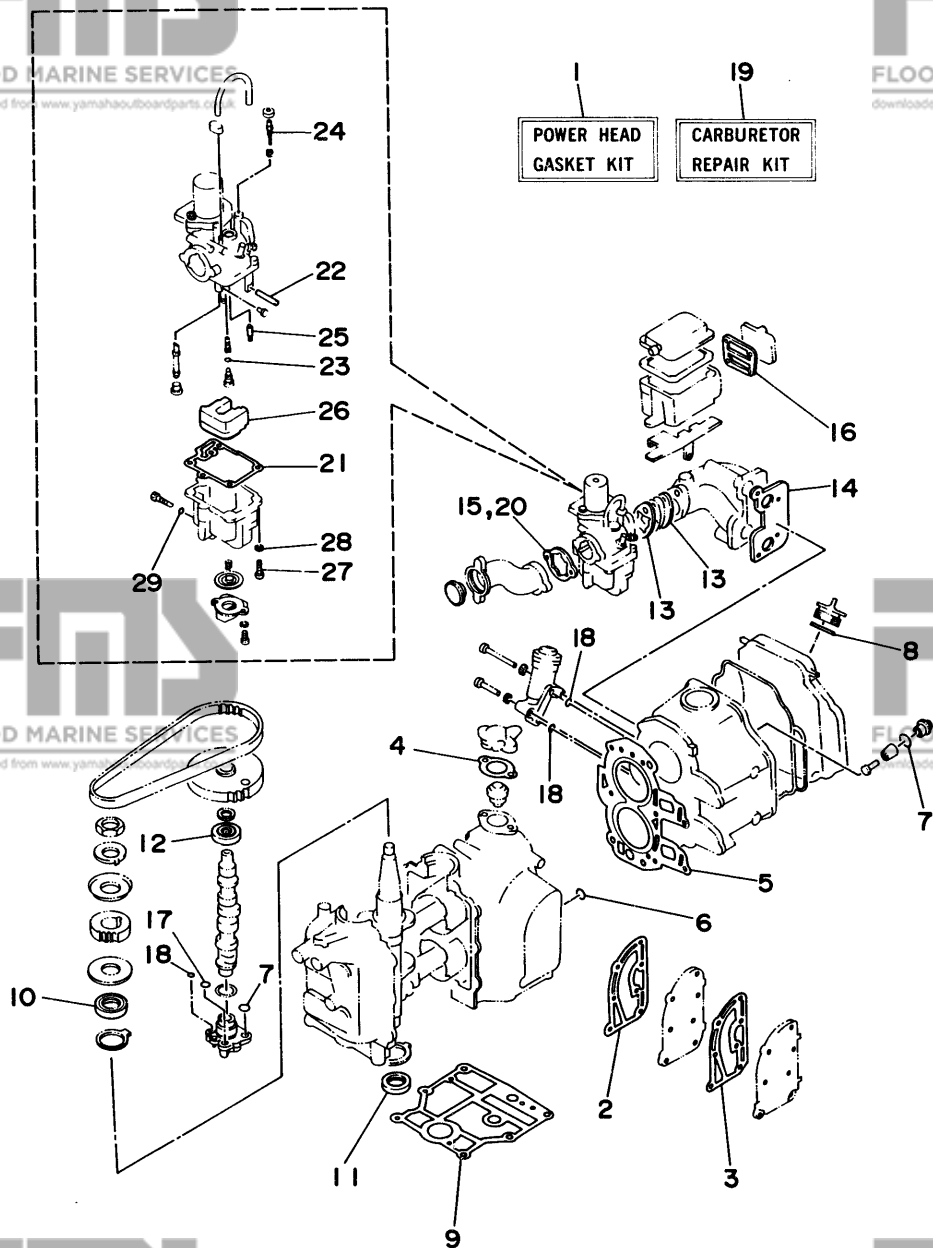


Fig. 28 OPTIONAL PARTS

| Ref.No. | Parts No. | Description | Q'ty | Ref.No. | Parts No. | Description | Q'ty |
|---------|--------------|------------------------------|------|---------|--------------|----------------------|------|
| 1 | 689-82550-11 | ENGINE STOP SWITCH ASSY (5m) | 1 | 4 | 682-82556-00 | .STOPPER | 1 |
| 2 | 6A0-P2553-20 | EXTENSION, wire lead | 1 | 5 | 6A0-82553-20 | EXTENSION, wire lead | 1 |
| 3 | 689-82575-12 | ENGINE STOP SWITCH ASSY (5m) | 1 | 6 | 689-82553-10 | EXTENSION, wire lead | 1 |

Fig. 29 REPAIR KIT 1

| Ref.No. | Parts No. | Description | Q'ty | Ref.No. | Parts No. | Description | Q'ty |
|---------|--------------|------------------------------|------|---------|--------------|------------------------|------|
| 1 | 6G8-W001-03 | POWER HEAD GASKET KIT | 1 | 16 | 6G8-15374-00 | .GASKET, breather | 1 |
| 2 | 6G8-41112-02 | .GASKET, exhaust inner cover | 1 | 17 | 93210-10M61 | .O-RING | 1 |
| 3 | 6G8-41114-00 | .GASKET, exhaust outer cover | 1 | 18 | 93210-09M01 | .O-RING | 3 |
| 4 | 6G8-12414-A0 | .GASKET, cover | 1 | 19 | 6G8-W0093-01 | CARBURETOR REPAIR KIT | 1 |
| 5 | 6G8-11181-A0 | .GASKET, cylinder head 1 | 1 | 20 | 6G8-14198-A0 | .GASKET | 1 |
| 6 | 93210-11M59 | .O-RING | 1 | 21 | 6G8-14384-01 | .GASKET, float chamber | 1 |
| 7 | 93210-13M63 | .O-RING | 3 | 22 | 647-14386-10 | .PIN, float | 1 |
| 8 | 93210-25070 | .O-RING | 1 | 23 | 654-14198-00 | .GASKET | 1 |
| 9 | 6G8-11351-A0 | .GASKET, cylinder | 1 | 24 | 6G8-14323-00 | .SCREW, air adjusting | 1 |
| 10 | 93102-30M22 | .OIL SEAL | 1 | 25 | 6G8-14392-00 | .VALVE, needle | 1 |
| 11 | 93101-25M24 | .OIL SEAL | 1 | 26 | 6G8-14385-00 | .FLOAT | 1 |
| 12 | 93102-18M21 | .OIL SEAL | 1 | 27 | 98503-04014 | .SCREW, pan head | 1 |
| 13 | 6G8-13646-A0 | .GASKET, manifold 2 | 2 | 28 | 92990-04100 | .WASHER, spring | 1 |
| 14 | 6G8-13645-00 | .GASKET, manifold 1 | 1 | 29 | 5Y1-14397-00 | .O-RING | 1 |
| 15 | 6G8-14198-A0 | .GASKET | 1 | | | | |



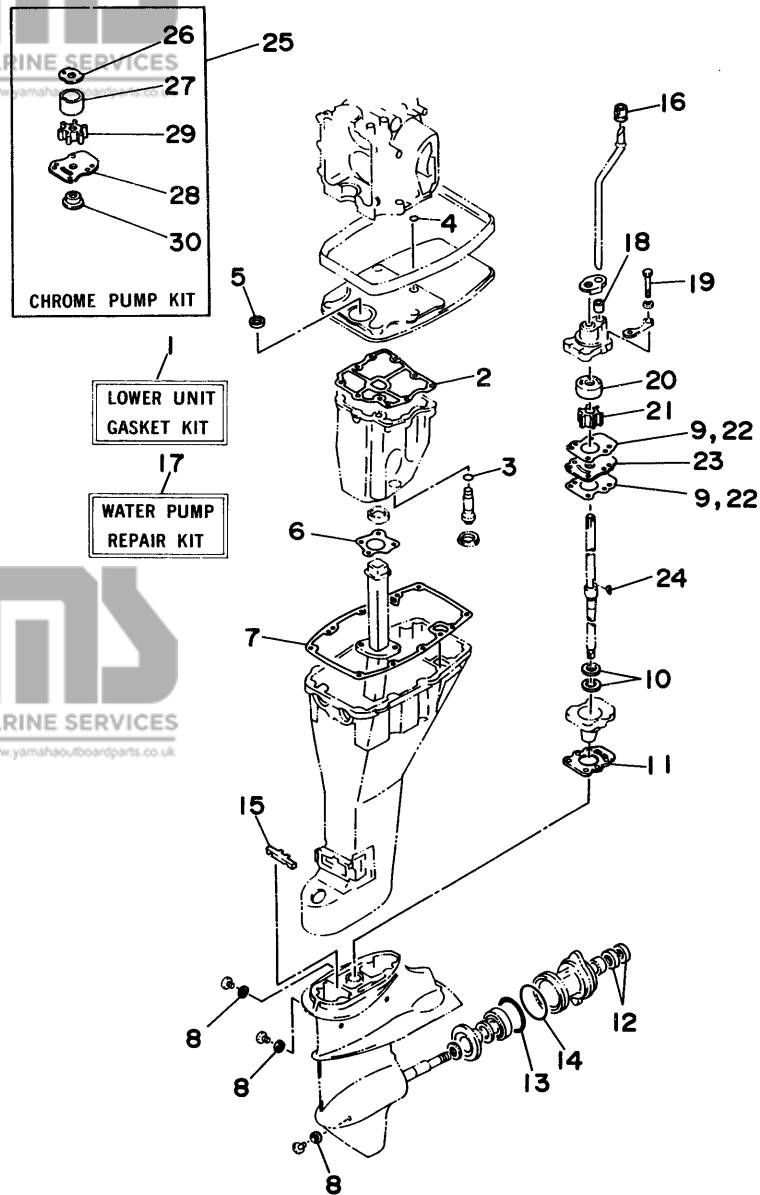


Fig. 30 REPAIR KIT 2

| Ref.No. | Parts No. | Description | Q'ty | Ref.No. | Parts No. | Description | Q'ty |
|---------|--------------|-----------------------------|------|---------|--------------|-------------------------|------|
| 1 | 669-W0001-24 | LOWER UNIT GASKET KIT | 1 | 16 | 626-44365-01 | .DAMPER, water seal | 1 |
| 2 | 668-15312-A1 | .GASKET, oil pan | 1 | 17 | 682-W0078-01 | WATER PUMP REPAIR KIT | 1 |
| 3 | 93210-16M54 | .O-RING | 1 | 18 | 682-44365-00 | .DAMPER, water seal | 1 |
| 4 | 93210-08M60 | .O-RING | 1 | 19 | 97395-06040 | .BOLT | 4 |
| 5 | 93101-13M27 | .OIL SEAL | 1 | 20 | 682-44322-00 | .INSERT, cartridge | 1 |
| 6 | 668-41133-A0 | .GASKET, exhaust manifold 1 | 1 | 21 | 682-44352-01 | .IMPELLER | 1 |
| 7 | 668-45113-A0 | .GASKET, upper casing | 1 | 22 | 682-44315-A0 | .GASKET, water pump | 2 |
| 8 | 90430-08020 | .GASKET | 3 | 23 | 682-44323-00 | .GUTER PLATE, cartridge | 1 |
| 9 | 682-44315-A0 | .GASKET, water pump | 2 | 24 | 90280-03024 | .KEY, woodruff | 1 |
| 10 | 93101-20048 | .OIL SEAL | 2 | 25 | 682-W0078-0A | CHROME PUMP KIT | 1 |
| 11 | 683-45315-A0 | .PACKING, lower casing | 1 | 26 | 682-44321-40 | .INNER PLATE, cartridge | 1 |
| 12 | 93101-17054 | .OIL SEAL | 2 | 27 | 682-44322-40 | .INSERT, cartridge | 1 |
| 13 | 93210-57M09 | .O-RING | 1 | 28 | 682-44323-40 | .OUTER PLATE, cartridge | 1 |
| 14 | 93210-56M80 | .O-RING | 1 | 29 | 682-44352-01 | .IMPELLER | 1 |
| 15 | 682-45375-01 | .DAMPER, seal | 1 | 30 | 682-45344-00 | .COVER, oil seal | 1 |

NUMERICAL INDEX

| PART NO. | REF. NO. | PART NO. | REF. NO. | PART NO. | REF. NO. | PART NO. | REF. NO. | PART NO. | REF. NO. | PART NO. | REF. NO. |
|-----------------|----------|-----------------|----------|-----------------|----------|-----------------|----------|-----------------|----------|-----------------|----------|
| 6G8-W0001-03 | 29- 1 | 6G8-11654-00 | 2- 6 | 6G8-14229-00 | 5-41 | 6G8-15311-02-0D | 7- 7 | 6Y1-24246-00 | 10- 2 | 6G9-42112-01-EJ | 15- 2 |
| 6G9-W0001-24 | 30- 1 | 6G8-12111-00 | 3- 1 | 6G8-14275-00 | 5-31 | 6G8-15312-A1 | 7- 8 | 646-24251-02 | 9- 6 | 6G8-42119-00 | 15-10 |
| 6G9-W0070-22 | 11- 9 | 6G8-12113-00 | 3- 4 | 6G8-14275-01 | 5-31 | | 30- 2 | 6Y1-24256-80 | 10- 9 | 6G8-42126-01-94 | 15- 4 |
| 682-W0078-0A | 30-25 | 6G8-12116-00 | 3- 3 | 6G8-14286-01 | 5-42 | 6G8-15316-00 | 7-13 | 6Y1-24257-00 | 10- 3 | 6G8-42137-01 | 15-11 |
| 682-W0078-01 | 30-17 | 6G8-12117-00 | 3- 5 | 6G8-14293-02 | 5-36 | 6G8-15346-00 | 4-23 | 6Y1-24268-00 | 10- 6 | 6J6-42137-00 | 15-11 |
| 6G9-W0084-81-EJ | 15-19 | 6G8-12117-10 | 3- 7 | 6G8-14293-03 | 5-36 | 6G8-15347-00 | 4-24 | 6Y4-24275-80 | 10- 5 | 6G8-42177-00 | 15-13 |
| 6J7-W0084-81-EJ | 15-19 | 30X-12118-00 | 3- 6 | 6G9-14301-03 | 5- 1 | 6G8-15358-00 | 4-17 | 6G1-24304-02 | 9- 1 | 6G9-42511-01-EJ | 13-29 |
| 6G8-W0090-30-EJ | 1- 1 | 51Y-12119-00 | 3- 9 | 6G9-14301-04 | 5- 1 | 6G8-15362-04 | 7-17 | 6G1-24305-00 | 10-11 | 6G8-42521-10-94 | 13-34 |
| 6G8-W0093-01 | 29-19 | 6G8-12121-01 | 3- 2 | 6G9-14301-05 | 5- 1 | 6G8-15363-00 | 1-46 | 6Y4-24306-80 | 10-10 | 6G9-42521-00-94 | 13-34 |
| 6Y4-W2420-80-24 | 10- 1 | 6G8-12146-00 | 3-13 | 6J6-14301-04 | 5- 1 | 6G8-15368-00-94 | 4-19 | 6G8-24311-00 | 9- 5 | 6G8-42528-00 | 13-24 |
| 676-W2810-00 | 10-18 | 6G8-12151-00 | 3-10 | 6J6-14301-06 | 5- 1 | 6G8-15369-00 | 4-20 | 6G8-24329-00 | 9- 2 | 6G8-42534-00 | 13-30 |
| 6G8-W4261-00 | 12-28 | 6G8-12153-00 | 3- 8 | 6G8-14323-00 | 5-13 | 6G8-15371-00-94 | 4-22 | 6Y1-24329-00 | 10- 8 | 6G8-42537-00 | 13-36 |
| 6G8-W4261-10 | 24-16 | 6G8-12158-00 | 3-12 | | 29-24 | 6G8-15373-00 | 1-37 | 650-24351-51 | 10-13 | 6G8-42551-00 | 25-40 |
| | 25-38 | 6G8-12159-00 | 3-11 | 647-14334-00 | 5-11 | 6G8-15374-00 | 4-27 | | 10-17 | 6G9-42610-23-EJ | 11- 1 |
| 683-W4591-02-EL | 19-15 | 6G8-12171-00 | 6-11 | 6G8-14341-10 | 5- 9 | | 29-16 | 6Y1-24360-51 | 10-15 | 6J7-42610-23-EJ | 11- 1 |
| 683-W4592-02-EL | 19-15 | 6G8-12411-02 | 1-15 | 6G8-14341-20 | 5- 9 | 6G8-15376-00 | 4-33 | 6E5-24377-00 | 1-17 | 6G8-42613-00-EJ | 11- 6 |
| 6G8-11111-02-94 | 1-22 | 6G8-12412-00-9M | 1-16 | 6G8-14342-25 | 5- 5 | 6G8-15379-00 | 7- 3 | | 17- 2 | 6G8-42615-00 | 11- 2 |
| 6G8-11133-10 | 1-23 | 6G8-12414-A0 | 1-18 | 6G8-14342-24 | 5- 5 | 6G8-15393-00 | 4-30 | 6G8-24410-02 | 9- 9 | 6G8-42628-01 | 11-11 |
| 6G8-11181-A0 | 1-33 | | 29- 4 | 648-14343-42 | 5- 8 | 6G8-15710-10 | 8- 1 | 6G8-24411-02 | 9-11 | 6G8-42629-01 | 12-30 |
| | 29- 5 | 6G8-12481-00 | 1-27 | 648-14343-43 | 5- 8 | 6G8-15711-00 | 8- 2 | 6G8-24421-00 | 9-10 | 6G8-42651-00 | 11- 3 |
| 6G8-11191-01-94 | 1-35 | 6G8-12482-00 | 12- 9 | 6A4-14344-24 | 5-26 | 6G8-15712-00 | 8-30 | 6Y1-24610-12 | 10- 4 | 6G8-42652-00 | 11- 4 |
| 6G8-11197-00 | 1-44 | 6G8-13300-02 | 6-13 | 6A4-14344-25 | 5-26 | 6G8-15713-00 | 8- 4 | 6G8-26363-00 | 16-10 | 6G8-42677-00 | 12-29 |
| 6G8-11325-00 | 1-42 | 6G8-13421-00 | 7-12 | 6A4-14344-30 | 5-26 | 6G8-15714-00 | 8- 3 | | 25-45 | 6G8-42677-10 | 24-17 |
| 6G8-11351-A0 | 1- 6 | 6G8-13440-00 | 6-21 | 6G8-14345-00 | 5- 7 | 6G8-15715-00 | 8- 7 | | 26-14 | 6G8-42677-20 | 25-39 |
| | 29- 9 | 6G8-13442-00-94 | 6-20 | 6G8-14357-00 | 5-43 | 6G8-15716-00 | 8-27 | 6G8-26364-00 | 16-11 | 6G9-42678-22 | 11-10 |
| 6G8-11355-00 | 17-29 | 6G8-13471-00 | 7-15 | 6G8-14368-01 | 5-30 | 6G8-15719-00 | 8- 5 | | 25-46 | 6J7-42678-22 | 11-10 |
| 6G8-11356-00 | 1-39 | 6G8-13487-00 | 7- 4 | 6G8-14379-00 | 5-39 | 6G8-15723-00 | 8- 6 | | 26-15 | 6G8-42711-01-EJ | 12- 1 |
| 6G8-11372-01 | 1-26 | 6G8-13641-01-94 | 4- 6 | 6G8-14381-01 | 5- 3 | 6G8-15726-00 | 8-21 | 6G8-41111-02-9M | 1- 7 | 6G8-42716-00 | 17-10 |
| 676-11372-00 | 1-25 | 6G8-13645-00 | 4- 7 | 6G8-14381-02 | 5- 3 | 6G8-15727-00 | 8- 9 | 6G8-41112-02 | 1- 8 | 6G8-42719-00-EJ | 12-23 |
| | 1-38 | | 29-14 | 6G8-14383-00 | 5-28 | 6G8-15734-00 | 8-25 | | 29- 2 | 6G8-42724-00 | 12- 7 |
| 6G8-11411-04 | 2- 1 | 6G8-13646-A0 | 4- 1 | 6G8-14384-01 | 5- 2 | 6G8-15739-00 | 8-17 | 6G8-41113-01-9M | 1-10 | 6G8-42724-40 | 24-15 |
| 6G8-11416-00 | 2- 4 | | 29-13 | | 29-21 | 6G8-15742-00 | 8-33 | 6G8-41114-00 | 1- 9 | 6G8-42724-50 | 25-22 |
| 6G8-11416-10 | 2- 4 | 6G8-13647-00 | 4- 5 | 6G8-14385-00 | 5-15 | 6G8-15746-00 | 8-23 | | 29- 3 | 6G9-42724-00 | 12- 7 |
| 6G8-11416-20 | 2- 4 | 6G8-1410A-00 | 5-24 | | 29-26 | 6G8-15747-00 | 8-26 | 6G8-41131-01 | 17-11 | 6G8-42727-00 | 12-10 |
| 6G8-11426-00 | 2- 8 | 6G8-1410A-01 | 5-24 | 647-14386-10 | 5- 4 | 6F5-15752-00 | 8-12 | 6G8-41133-A0 | 17-14 | 6G8-42738-00-94 | 12-22 |
| 6G8-11536-00-94 | 6- 2 | 389-14137-00 | 5-44 | | 29-22 | 663-15753-00 | 8-13 | | 30- 6 | 6G8-42741-00-EJ | 17-24 |
| 6G8-11537-00-94 | 6- 6 | 1HV-14147-00 | 5-19 | 6G8-14389-00 | 5-34 | 6G8-15754-00 | 8- 8 | 6G8-41137-03-94 | 17- 1 | 6G8-42748-00 | 12-19 |
| 6G8-11557-00 | 6- 3 | 6G8-14197-01 | 5-16 | 6G8-14392-00 | 5-14 | 6G1-15755-00 | 8-34 | 6G8-41138-00 | 17-12 | 6G8-42752-00 | 20-15 |
| 6G8-11575-00 | 7- 1 | 6G8-14198-A0 | 29-15 | | 29-25 | 6G8-15767-00 | 8-24 | 6G8-41212-00 | 16-12 | 6G8-42755-00 | 12-31 |
| 6G8-11587-00 | 6- 5 | | 29-20 | 5Y1-14397-00 | 5-27 | 6G8-15768-00 | 8-10 | 6G8-41237-01 | 16-18 | 6G8-42771-00-EJ | 17-26 |
| 6G8-11610-02 | 2-10 | 6G8-14198-00 | 4-14 | | 29-29 | 6G8-15770-00 | 8-38 | 6G8-41238-01 | 16-15 | 6G8-42791-00 | 17-25 |
| 6G8-11610-12 | 2-10 | 646-14198-01 | 5-33 | 6G8-14478-00 | 4-13 | 6G8-15771-00 | 8-39 | 6G8-41241-01 | 16-16 | 6G8-42792-00 | 17-27 |
| 6G8-11610-22 | 2-10 | 654-14198-00 | 5- 6 | 6G8-14479-01-94 | 4-12 | 6G8-15772-00 | 8-42 | 6G8-41242-01 | 16-19 | 6G8-42811-00-94 | 12-13 |
| 6G8-11631-03-96 | 2- 9 | | 29-23 | 6G8-14493-00 | 16-20 | 6G8-15779-00 | 8-31 | 6G8-41654-00 | 16- 8 | 6G8-42815-00 | 12-11 |
| 634-11633-00 | 2-11 | 646-14212-01 | 5-21 | 6J6-14493-00 | 16-20 | 689-15779-01 | 8-35 | 6G8-41661-00-98 | 16- 3 | 6G8-42831-00 | 12-12 |
| 6G8-11635-03 | 2- 9 | 6G8-14216-00 | 5-10 | 6G8-14827-00 | 5-25 | 6G8-15789-00 | 8-32 | 6G8-41662-00-98 | 16- 4 | 6G8-43111-03-EJ | 13- 1 |
| 6G8-11636-03 | 2- 9 | 6G8-14217-00 | 5-35 | 6G8-14997-00 | 5-12 | 663-15791-00 | 8-14 | 6G8-41663-00 | 16- 5 | 6G8-43112-04-EJ | 13- 2 |
| 6G8-11650-03 | 2- 5 | 6G8-14217-01 | 5-35 | 6G8-15100-05-94 | 1- 2 | 6G8-15794-00 | 8-22 | 6G9-42111-02-EJ | 15- 1 | 6J8-43113-01 | 13-20 |

NUMERICAL INDEX

| PART NO. | REF. NO. | PART NO. | REF. NO. | PART NO. | REF. NO. | PART NO. | REF. NO. | PART NO. | REF. NO. | PART NO. | REF. NO. |
|-----------------|----------|-----------------|----------|-----------------|----------|--------------|----------|-----------------|----------|-----------------|----------|
| 648-43114-01 | 13- 6 | 682-44322-00 | 30-20 | 6E7-45331-00-5B | 18-23 | 701-48222-00 | 27-27 | 6G8-48501-03 | 26- 3 | 6G8-82150-00 | 25-13 |
| 6E7-43116-00 | 13- 5 | 682-44322-40 | 30-27 | 682-45344-00 | 30-30 | 701-48229-00 | 27-26 | 6G8-48511-00 | 26-16 | 682-82151-00 | 24-10 |
| 616-43118-00-EJ | 13- 3 | 682-44323-00 | 18-22 | 683-45361-01-EJ | 18-48 | 701-48232-00 | 27-31 | 6G8-48511-10 | 26-19 | | 25-14 |
| 6G8-43131-00 | 13-14 | | 30-23 | 682-45375-01 | 19- 9 | 701-48234-00 | 27- 5 | 6G8-48531-51 | 26- 4 | 6G8-82370-20 | 21- 8 |
| 6G5-43145-00 | 13-19 | 682-44323-40 | 30-28 | | 30-15 | 701-48235-00 | 27- 2 | 6G8-48532-50 | 26- 5 | 6G8-82504-00 | 21-16 |
| 6G8-43160-01 | 14- 5 | 682-44328-00 | 18-30 | 682-45376-01 | 18-11 | 701-48236-00 | 27- 8 | 6G8-48538-50 | 26- 6 | 6G8-82510-00 | 25-30 |
| 6G8-43181-00 | 13- 7 | 682-44352-01 | 18-19 | 6G9-45501-00 | 18-32 | 702-48237-00 | 27- 9 | 6G8-48565-50 | 26-10 | 6G8-82522-00 | 21-15 |
| 6G8-43311-14-EJ | 13-21 | | 30-21 | 6G9-45501-10 | 18-32 | 702-48238-00 | 27-10 | 6G8-81323-00 | 20-16 | 6H3-82540-00 | 24-11 |
| 6G9-43311-03-EJ | 13-21 | | 30-29 | 6E7-45536-00 | 18-31 | 701-48239-00 | 27-29 | 6G8-81336-00 | 1-36 | | 25-15 |
| 682-43318-01 | 13- 8 | 6G8-44361-10 | 19-10 | 6E7-45551-00 | 18-33 | 701-48243-00 | 27-14 | 6G8-81337-00 | 20-14 | 689-82550-11 | 28- 1 |
| | 14-24 | 6G9-44361-00 | 19-10 | 6E7-45560-00 | 18-37 | 701-48246-00 | 27-24 | 6G8-81800-11 | 22- 1 | 701-82550-50 | 27-40 |
| 682-43339-01 | 13-13 | 683-44362-01 | 18- 4 | 664-45567-01-10 | 18-38 | 701-48248-00 | 27-12 | 689-81807-12 | 22-11 | 6A0-82553-20 | 28- 2 |
| 6G8-43373-00 | 13-27 | 626-44365-01 | 19-11 | 664-45567-01-12 | 18-38 | 701-48249-00 | 27-11 | 689-81809-11 | 22- 3 | | 28- 5 |
| 682-43611-01 | 14-16 | | 30-16 | 664-45567-01-15 | 18-38 | 701-48252-00 | 27- 4 | 689-81810-11 | 22- 4 | 689-82553-10 | 28- 6 |
| 682-43614-00 | 14-14 | 682-44365-00 | 18-17 | 664-45567-01-18 | 18-38 | 701-48255-00 | 27-21 | 689-81811-11 | 22- 6 | 6G8-82554-00 | 24-12 |
| 682-43615-01 | 14-15 | | 30-18 | 664-45567-01-30 | 18-38 | 701-48261-00 | 27-38 | 689-81812-11 | 22- 8 | | 25-16 |
| 6G8-43616-00 | 14- 9 | 683-44365-01 | 18- 5 | 664-45567-01-40 | 18-38 | 701-48266-00 | 27-30 | 689-81813-10 | 22- 9 | 682-82556-00 | 21-20 |
| 6G8-43617-00 | 14-13 | 6E7-44366-00 | 18- 8 | 664-45567-01-50 | 18-38 | 701-48268-00 | 27-18 | 689-81820-11 | 22-10 | | 25-27 |
| 6G8-43631-02 | 14- 6 | 6G8-44367-00 | 17- 4 | 6E7-45571-00 | 18-39 | 701-48271-00 | 27-35 | 6G8-81822-40-94 | 22-19 | | 28- 4 |
| 682-43641-00 | 14-10 | 683-44373-00 | 18- 6 | 626-45577-00-01 | 18-41 | 701-48280-00 | 27-46 | 689-81826-10 | 22-14 | 6G8-82570-02 | 25-24 |
| 6G9-43643-00 | 14-23 | 6G8-44391-00 | 12- 8 | 626-45577-00-03 | 18-41 | 701-48281-10 | 27-16 | 6F5-81830-11 | 22-13 | 6G8-82571-01 | 25-25 |
| 682-43659-00 | 14-19 | 6G8-44517-00-94 | 13-40 | 626-45577-00-05 | 18-41 | 701-48283-00 | 27-42 | 689-81840-11 | 22- 7 | 6G9-82575-00 | 21-19 |
| 682-43673-00 | 14-18 | 6G8-44518-00 | 13-50 | 6E8-45587-00-13 | 18-34 | 701-48287-00 | 27-44 | 689-81847-11 | 22- 5 | 688-82575-01 | 25-26 |
| 6G9-43681-00 | 14-22 | 6G8-44521-00 | 13-53 | 6E8-45587-00-20 | 18-34 | 702-48288-00 | 27-23 | 689-81850-12 | 22- 2 | 689-82575-12 | 28- 3 |
| 6G8-44111-00 | 16-21 | 6G8-44522-00 | 13-48 | 683-45611-00 | 18-42 | 701-48310-10 | 26- 2 | 689-81857-11 | 22-12 | 6G8-82580-00 | 25-19 |
| 6G9-44111-00-98 | 16-22 | 6G8-44526-00 | 13-41 | 682-45631-00 | 18-44 | 701-48310-20 | 26- 2 | 6G8-81870-00 | 24- 6 | 6G3-82581-01 | 25-28 |
| 682-44116-00 | 16-29 | 6G8-44532-00 | 13-54 | 648-45633-00 | 18-46 | 701-48310-40 | 26- 2 | 6G8-81916-00 | 21-13 | 688-82586-50 | 25-23 |
| 682-44117-00 | 16-30 | 6G8-44533-00 | 13-51 | 650-45635-00 | 18-43 | 701-48310-60 | 26- 2 | 6J0-81941-10 | 24- 1 | 6G8-82590-00 | 25-20 |
| 6G8-44125-00 | 8-43 | 6G8-44551-01-EJ | 13-55 | 683-45941-00-EL | 19-14 | 701-48310-80 | 26- 2 | | 25- 7 | 701-82594-00 | 27-43 |
| | 24-18 | 6G8-44552-02-EJ | 13-56 | 683-45943-00-EL | 19-14 | 701-48310-90 | 26- 2 | 6G8-81948-02 | 21-27 | 6G8-83582-01 | 21-18 |
| | 25-37 | 682-44555-00 | 13-63 | 683-45945-00-EL | 19-14 | 6G9-48311-02 | 16- 1 | | 24-22 | | 25-29 |
| 682-44132-00 | 16-26 | 6G8-44557-00 | 13-62 | 683-45947-00-EL | 19-14 | 6J7-48311-02 | 16- 1 | | 25- 4 | 682-84381-00 | 12-33 |
| 6G8-44141-00 | 16-27 | 6G8-45111-12-EJ | 17-15 | 683-45949-00-EL | 19-14 | 701-48320-00 | 26- 2 | 6G9-81948-00 | 21-26 | 6G9-85510-01 | 20- 2 |
| 6G8-44143-10 | 16-32 | 6G9-45111-02-EJ | 17-15 | 683-45952-00-EL | 19-14 | 701-48320-20 | 26- 2 | 6G1-81952-00 | 24- 2 | | 23- 2 |
| 6G9-44143-00 | 16-32 | 6G8-45113-A0 | 17-20 | 6E7-45986-00 | 19-16 | 701-48320-30 | 26- 2 | | 25- 8 | 6G8-85525-00 | 21-12 |
| 682-44147-00 | 18-57 | | 30- 7 | 6G9-45987-00 | 19-19 | 701-48320-40 | 26- 2 | 6G8-81953-00 | 24- 3 | 6G9-85540-21 | 21- 1 |
| 6G9-44150-00 | 18-56 | 663-45119-00 | 13-23 | 6G8-46241-00 | 6- 1 | 701-48320-50 | 26- 2 | | 25- 9 | 6G8-85542-00 | 21- 9 |
| 6G9-44150-10 | 18-56 | 6G8-45127-00 | 7- 9 | 701-48101-11 | 26- 1 | 701-48320-60 | 26- 2 | 6G8-81960-A1 | 24-19 | 6G8-85550-01 | 23- 1 |
| 6G8-44159-00 | 16-25 | 6G8-45135-00 | 17- 9 | | 27- 1 | 701-48320-70 | 26- 2 | | 25- 1 | 6G8-85550-11 | 20- 1 |
| 682-44176-00 | 18-58 | 6G8-45151-00 | 17-19 | 701-48126-00 | 27-41 | 701-48320-80 | 26- 2 | 6J8-81960-00 | 21-25 | 6G8-85561-00-94 | 20- 3 |
| 6E0-44191-11 | 11-12 | 6E7-45214-00 | 19- 7 | 701-48152-11 | 27-13 | 701-48320-90 | 26- 2 | 6G8-82105-00 | 24- 7 | 6G8-85570-21 | 21- 4 |
| 682-44300-01 | 18-14 | 6E8-45251-01 | 19- 4 | 701-48153-12 | 27-34 | 703-48345-01 | 27-37 | | 25-21 | 6G8-85580-02 | 20- 5 |
| 682-44312-00 | 18-15 | 6G9-45300-05-EJ | 18- 1 | 701-48189-11 | 27-32 | 701-48350-00 | 26- 2 | 6J8-82105-10 | 21-35 | 90101-08M88 | 13-64 |
| 682-44315-A0 | 18-21 | 6G9-45300-15-EJ | 18- 1 | 701-48196-11 | 27- 7 | 701-48350-10 | 26- 2 | 6G8-82117-00 | 24- 8 | 90105-06M33 | 7-14 |
| | 30- 9 | 6E8-45311-00-EJ | 18- 2 | 701-48197-10 | 27- 3 | 701-48350-20 | 26- 2 | | 25-12 | | 17-13 |
| | 30-22 | 683-45315-A0 | 18-26 | 701-48198-10 | 27-15 | 6G8-48351-51 | 25-44 | 6G8-82127-00 | 21-17 | 90105-08M36 | 1-29 |
| 682-44321-40 | 30-26 | | 30-11 | 701-48213-00 | 27-19 | | 26-13 | 6G8-82149-00 | 17-16 | 90105-08M37 | 1-28 |
| 682-44322-00 | 18-18 | 626-45316-09 | 18-24 | 701-48221-00 | 27- 6 | 701-48358-00 | 27-39 | 6G8-82150-00 | 24- 9 | 90109-06M25 | 13- 9 |



FLOOD MARINE SERVICES
downloaded from www.yamahaoutboardparts.co.uk

| PART NO. | REF. NO. |
|-------------|----------|
| 90116-06M15 | 4- 8 |
| 90116-06M26 | 4- 2 |
| | 5-29 |
| 90116-08M28 | 13-46 |
| 90119-06M12 | 1- 5 |
| 90119-08M18 | 1- 4 |
| 90149-05M05 | 25-33 |
| 90157-06M04 | 17-28 |
| 90159-05M06 | 16- 9 |
| 90159-06M05 | 4-18 |
| 90170-06015 | 16-33 |
| 90170-12066 | 20-20 |
| 90170-24M09 | 6- 4 |
| 90171-10M01 | 19-12 |
| 90171-10M07 | 19-17 |
| 90179-08M06 | 18-36 |
| 90185-20M03 | 15-17 |
| 90185-22043 | 13-18 |
| 90201-06M00 | 2- 7 |
| 90201-06M31 | 12- 5 |
| | 12-16 |
| | 13-26 |
| | 6-10 |
| 90201-06M94 | 15- 7 |
| 90201-08MA4 | 13-67 |
| 90201-08M12 | 13-47 |
| 90201-10M01 | 19-20 |
| 90201-10M02 | 19-18 |
| 90201-12472 | 20-21 |
| 90201-13201 | 6- 8 |
| 90201-17682 | 18-40 |
| 90201-20M00 | 15-16 |
| 90201-22428 | 13-17 |
| 90202-06007 | 15- 8 |
| 90202-20M33 | 15-18 |
| 90206-08M13 | 12-18 |
| 90206-10M15 | 13-12 |
| 90206-20M14 | 15-15 |
| 90209-45M09 | 13-35 |
| 90243-04M00 | 13- 4 |
| 90249-06M20 | 14-11 |
| 90250-05010 | 18-45 |
| 90266-04M04 | 11- 5 |
| 90269-02M09 | 15-12 |
| 90280-03M01 | 6- 7 |
| 90280-03024 | 18-20 |
| | 30-24 |
| 90280-16053 | 20-19 |

| PART NO. | REF. NO. |
|-------------|----------|
| 90340-08M04 | 18- 9 |
| 90386-08M49 | 12-15 |
| 90386-20M94 | 14- 8 |
| 90386-22M92 | 13-15 |
| 90386-22M93 | 13-16 |
| 90386-33M56 | 15-14 |
| 90386-37M47 | 13-37 |
| 90386-37M48 | 13-39 |
| 90387-06M09 | 14- 1 |
| 90387-06M15 | 12- 5 |
| 90387-06M20 | 14-17 |
| 90387-06M58 | 16-14 |
| 90387-06M70 | 21-30 |
| 90387-06M71 | 20-18 |
| 90387-06M72 | 12-17 |
| 90387-06M73 | 25-41 |
| | 26-11 |
| 90387-13M56 | 3-14 |
| 90430-08020 | 18-10 |
| | 30- 8 |
| 90445-05ME6 | 12-25 |
| 90445-09065 | 4-32 |
| | 9- 7 |
| 90445-09225 | 9-19 |
| 90445-11M05 | 10-14 |
| 90445-11M06 | 10-16 |
| 90445-11M52 | 4-31 |
| 90445-11M66 | 1-21 |
| 90445-24M00 | 16- 2 |
| 90446-10M02 | 21-21 |
| 90460-38M06 | 13-49 |
| 90461-06M01 | 4-35 |
| 90465-08028 | 4-34 |
| | 4-36 |
| | 21-22 |
| 90467-08004 | 9- 8 |
| | 9-20 |
| 90480-09M35 | 12- 2 |
| 90480-13M24 | 21-31 |
| 90480-15M31 | 20-17 |
| 90480-19031 | 12-24 |
| 90480-25161 | 21- 5 |
| 90501-12M40 | 3-15 |
| 90501-12M41 | 3-16 |
| 90501-14M06 | 18-47 |
| 90501-18M00 | 13-25 |
| 90501-23M42 | 15- 5 |
| 90506-26M01 | 14-21 |

NUMERICAL INDEX

| PART NO. | REF. NO. | PART NO. | REF. NO. |
|-------------|----------|-------------|----------|
| 90506-26M07 | 14-21 | 92990-06600 | 13-11 |
| 90508-18M33 | 14- 7 | | 13-33 |
| 90890-44373 | 8-18 | | 13-43 |
| 91490-16010 | 12-32 | | 13-58 |
| | 16-37 | | 13-60 |
| | 8-29 | | 14- 4 |
| 91490-16015 | 15-14 | | 14-26 |
| 91490-25020 | 16-28 | | 16- 7 |
| 91490-30020 | 19-13 | | 17- 8 |
| 91490-30030 | 19-13 | | 17-18 |
| 91790-05020 | 16-35 | | 18-29 |
| 92580-06025 | 20- 9 | | 18-55 |
| 92780-06025 | 27-20 | | 19- 6 |
| 92901-05600 | 7- 6 | | 20-10 |
| 92903-04100 | 25-32 | | 20-12 |
| 92990-04100 | 5-23 | | 21- 3 |
| | 5-38 | | 21- 7 |
| | 29-28 | | 21-11 |
| 92990-04200 | 4-26 | | 21-24 |
| | 9-14 | | 21-29 |
| | 16-24 | | 21-34 |
| 92990-05100 | 8-20 | | 24- 5 |
| | 20- 7 | | 24-14 |
| | 25-35 | | 24-21 |
| 92990-05600 | 4-16 | | 24-24 |
| | 16-36 | | 25- 3 |
| | 20- 8 | | 25- 6 |
| | 25-36 | | 25-11 |
| 92990-06100 | 5-18 | | 25-18 |
| | 7-11 | | 25-43 |
| 92990-06200 | 8-28 | | 26- 8 |
| | 11- 8 | | 26-18 |
| 92990-06300 | 27-25 | | 26-21 |
| 92990-06600 | 1-12 | | 8-37 |
| | 1-14 | 92990-08600 | 13-45 |
| | 1-20 | | 13-65 |
| | 1-32 | | 17-23 |
| | 1-41 | | 19- 3 |
| | 4- 4 | | 22-16 |
| | 4-10 | | 22-18 |
| | 4-38 | | 8-16 |
| | 6-19 | 92995-06100 | 9-16 |
| | 6-24 | | 6-26 |
| | 6-26 | 93101-13M27 | 8-41 |
| | 8-41 | | 9- 4 |
| | 9- 4 | 93101-17054 | 9-17 |
| | 9-17 | | 12-21 |
| | 12-21 | 93101-20048 | 12-27 |
| | 12-27 | | 30-10 |

| PART NO. | REF. NO. |
|-------------|----------|
| 93101-25M24 | 2- 3 |
| | 29-11 |
| 93102-18M21 | 6-12 |
| | 29-12 |
| 93102-30M22 | 2- 2 |
| | 29-10 |
| 93210-08M60 | 17- 3 |
| | 30- 4 |
| 93210-08287 | 10-12 |
| 93210-09M01 | 6-16 |
| | 6-22 |
| | 29-18 |
| 93210-10M61 | 6-15 |
| | 29-17 |
| 93210-11M59 | 1-34 |
| | 29- 6 |
| 93210-12M62 | 7- 2 |
| 93210-13M63 | 1-45 |
| | 6-17 |
| | 29- 7 |
| 93210-16M64 | 7-16 |
| | 30- 3 |
| 93210-20M65 | 9-18 |
| 93210-24M79 | 1-47 |
| 93210-25070 | 29- 8 |
| 93210-27ME3 | 6-14 |
| 93210-37M67 | 13-38 |
| 93210-56M80 | 18-53 |
| | 30-14 |
| 93210-57M09 | 18-52 |
| | 30-13 |
| | 18-49 |
| 93306-00501 | 18-13 |
| 93315-314V8 | 18-50 |
| 93315-317U2 | 18-12 |
| 93332-00005 | 18-35 |
| 93341-414V1 | 25-42 |
| 93430-04M03 | 26-12 |
| | 27-36 |
| 93430-06024 | 1-24 |
| 93450-09M01 | 19-21 |
| 93450-10M05 | 2-12 |
| 93450-15023 | 18- 3 |
| 93604-08062 | 13-31 |
| 93605-15065 | 17- 6 |
| 93606-12019 | 17-21 |
| | 18-27 |
| | 19- 1 |

| PART NO. | REF. NO. |
|-------------|----------|
| 93700-06M03 | 13-22 |
| 94701-00282 | 1-48 |
| 94701-00300 | 1-48 |
| 95023-06025 | 20- 4 |
| 95303-04600 | 16-17 |
| 95303-05600 | 25-34 |
| 95303-06700 | 21-32 |
| 95303-08700 | 8-11 |
| 95380-06600 | 27-45 |
| 95380-06700 | 4- 3 |
| | 4-11 |
| | 13-61 |
| | 14- 3 |
| | 15- 9 |
| | 16-34 |
| 95680-06100 | 11- 7 |
| | 13-10 |
| 95780-08300 | 13-52 |
| | 13-66 |
| 97013-06012 | 4-37 |
| | 16-31 |
| | 21-23 |
| | 24- 4 |
| | 24-13 |
| | 25-10 |
| | 25-17 |
| | 1-31 |
| 97013-06035 | 22-15 |
| 97013-08025 | 19- 2 |
| 97090-08035 | 8-19 |
| 97313-05012 | 7-10 |
| 97313-06010 | 6- 9 |
| 97313-06016 | 12-14 |
| | 21-33 |
| | 24-20 |
| | 24-23 |
| | 25- 2 |
| | 25- 5 |
| 97313-06020 | 1-19 |
| | 1-40 |
| | 17- 7 |
| 97313-06025 | 1-11 |
| 97313-06030 | 1-13 |
| | 6-25 |
| | 12- 3 |
| | 16-13 |
| 97313-06040 | 12- 4 |
| 97313-06050 | 6-23 |



FLOOD MARINE SERVICES
downloaded from www.yamahaoutboardparts.co.uk



FLOOD MARINE SERVICES
downloaded from www.yamahaoutboardparts.co.uk



FLOOD MARINE SERVICES
downloaded from www.yamahaoutboardparts.co.uk



FLOOD MARINE SERVICES
downloaded from www.yamahaoutboardparts.co.uk



FLOOD MARINE SERVICES
downloaded from www.yamahaoutboardparts.co.uk



FLOOD MARINE SERVICES
downloaded from www.yamahaoutboardparts.co.uk

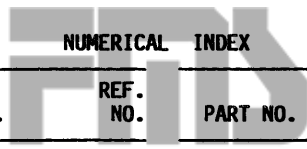


FLOOD MARINE SERVICES
downloaded from www.yamahaoutboardparts.co.uk

| PART NO. | REF. NO. | PART NO. | REF. NO. |
|-------------|----------|-------------|----------|
| 97313-08030 | 8-36 | 98580-04010 | 4-29 |
| 97315-06025 | 8-15 | | 5-37 |
| 97315-06030 | 13-32 | 98580-05010 | 27-17 |
| 97395-06008 | 14-25 | | 27-33 |
| 97395-06010 | 18-7 | 98580-05012 | 19-8 |
| 97395-06012 | 8-40 | | 20-6 |
| | 13-42 | 98580-05016 | 4-15 |
| | 17-17 | 98580-05525 | 1-43 |
| | 26-9 | 98580-05555 | 27-28 |
| 97395-06016 | 12-20 | 98580-06020 | 20-11 |
| | 12-26 | 98580-06025 | 9-15 |
| | 16-6 | 98586-05016 | 10-7 |
| | 26-17 | 98780-03008 | 9-12 |
| | 26-20 | 98780-05016 | 15-3 |
| 97395-06018 | 27-22 | 98813-03100 | 5-40 |
| 97395-06020 | 9-3 | 98980-04008 | 25-31 |
| | 18-54 | 98980-06008 | 21-14 |
| | 19-5 | 99080-05600 | 14-12 |
| | 21-2 | | 14-20 |
| | 21-10 | 99510-08012 | 20-13 |
| 97395-06025 | 6-18 | 99510-10114 | 1-3 |
| | 13-28 | | 1-30 |
| | 21-6 | | |
| | 21-28 | | |
| 97395-06030 | 26-7 | | |
| 97395-06040 | 18-28 | | |
| | 30-19 | | |
| 97395-06045 | 4-9 | | |
| | 13-57 | | |
| 97395-06095 | 13-59 | | |
| 97395-06135 | 14-2 | | |
| 97395-08016 | 22-17 | | |
| 97395-08030 | 13-44 | | |
| 97395-08040 | 17-22 | | |
| 97780-40112 | 4-21 | | |
| | 4-25 | | |
| | 4-28 | | |
| | 18-16 | | |
| 97780-50110 | 18-59 | | |
| 97890-05006 | 5-32 | | |
| 97890-06030 | 15-6 | | |
| 98501-05012 | 7-5 | | |
| 98503-04014 | 5-20 | | |
| | 5-22 | | |
| | 9-13 | | |
| | 16-23 | | |
| | 29-27 | | |
| 98503-06014 | 5-17 | | |



FLOOD MARINE SERVICES
downloaded from www.yamahaoutboardparts.co.uk



FLOOD MARINE SERVICES
downloaded from www.yamahaoutboardparts.co.uk



FLOOD MARINE SERVICES
downloaded from www.yamahaoutboardparts.co.uk



FLOOD MARINE SERVICES
downloaded from www.yamahaoutboardparts.co.uk

NUMERICAL INDEX

| PART NO. | REF. NO. | PART NO. | REF. NO. |
|----------|----------|----------|----------|
|----------|----------|----------|----------|

| PART NO. | REF. NO. |
|----------|----------|
|----------|----------|

| PART NO. | REF. NO. |
|----------|----------|
|----------|----------|



FLOOD MARINE SERVICES
downloaded from www.yamahaoutboardparts.co.uk



FLOOD MARINE SERVICES
downloaded from www.yamahaoutboardparts.co.uk



FLOOD MARINE SERVICES
downloaded from www.yamahaoutboardparts.co.uk