

PARTS CATALOGUE

F8B '93 (6J7) F9.9B'93 (6G9)

2R6G9-300E1

A1

- Fig. 1
- Fig. 2
- Fig. 3
- Fig. 4
- Fig. 5
- Fig. 6
- Fig. 7
- Fig. 8
- Fig. 9
- Fig. 10
- Fig. 11
- Fig. 12
- Fig. 13
- Fig. 14
- Fig. 15
- Fig. 16
- Fig. 17
- Fig. 18
- Fig. 19
- Fig. 20
- Fig. 21
- Fig. 22
- Fig. 23
- Fig. 24
- Fig. 25
- Fig. 26
- Fig. 27
- Fig. 28
- Fig. 29
- Fig. 30

CYLINDER. CRANKCASE	A3
CRANKSHAFT. PISTON	A4
VALVE	A5
INTAKE	A6
CARBURETOR	A7
OIL PUMP	B1
OIL PAN	B2
STARTER	B3
FUEL	B4
FUEL TANK	B5
TOP COWLING	B6
BOTTOM COWLING	B7
BRACKET 1	C1
BRACKET 2	C2
STEERING	C3
CONTROL	C4
UPPER CASING	C5
LOWER CASING. DRIVE 1	C6
LOWER CASING. DRIVE 2	C7
GENERATOR	D1
ELECTRIC PARTS	D2
ELECTRIC MOTOR (F8BEM/F8BE/F9.9BEM/F9.9BE MODEL)	D3
GENERATOR (F8BEM/F8BE/F9.9BEM/F9.9BE MODEL)	D4
ELECTRIC PARTS 1 (F8BEM/F9.9BEM MODEL)	D5
ELECTRIC PARTS 2 (F8BE/F9.9BE MODEL)	D6
REMOTE CONTROL	D7
REMOTE CONTROL ASSY	E1
OPTIONAL PARTS	E2
REPAIR KIT 1	E3
REPAIR KIT 2	E4
NUMERICAL INDEX	

This Parts Catalogue is related to the parts in use for the Yamaha outboard motor F8B'93 (6J7)/F9.9B'93(6G9). When you are ordering replacement parts for the F8B'93(6J7)/F9.9B'93(6G9), refer to this Parts Catalogue and quote both part numbers and part names correctly.

1. Modifications or additions which have been made after issue of the Parts Catalogue will be announced in the Yamaha Parts News.
It is advisable that according to the Yamaha Parts News you make necessary corrections to the Parts Catalogue on hand to keep it up-to-date.

2. Abbreviations

The following abbreviations are used in this Parts Catalogue.

- UR Use size (thickness) and/or number as required.
- UN Use as many as you need.
- AP Alternate Parts
- STD Standard
- O/S Over Size

3. Parts, which are to be supplied in the form of assemblies, are listed with an indentation of one letter's space, and a dot (.) is put against the name of each part.

EXAMPLE

- CARBURETOR ASS'Y
- . JET, pilot
- . NOZZLE, main

4. Indication of No. of constituent parts for assembly.

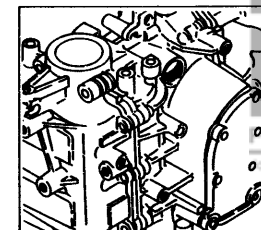
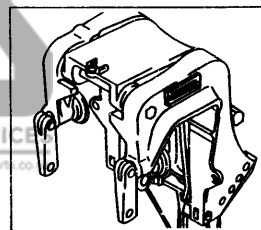
The numeral appearing to the right of each constituent part under the description indicates the quantity of such parts for each individual assembly unit.

EXAMPLE

Part No.	Description	Q'ty	Remarks
6E0-85500-70	C.D.I. MAGNETO ASS'Y	1	
6E0-85550-70	. ROTOR ASS'Y	1	
6E0-15723-00-94	. . PULLEY, starter	1	

5. Initial Serial No. and Color Code

Engine Serial No.	Initial Serial No.	Color Code
F8BM	S : 000274 and following	L : 301001 and following
F8BE	S : 100204 and following	L : 400626 and following
F8BEM	S : 200121 and following	L : 500441 and following
F9.9BM	S : 008120 and following	L : 305428 and following
F9.9BE	S : 100901 and following	L : 401390 and following
F9.9BEM	S : 200227 and following	L : 500260 and following



Color Code	Color Name	Abbreviate
EJ	METALLIC MARINE BLUE	MMB

Fig. 1 CYLINDER. CRANKCASE

Ref.No.	Parts No.	Description	Q'ty	Ref.No.	Parts No.	Description	Q'ty
1	6G8-W0090-30-EJ	CRANK CYLINDER ASSY	1	27	6G8-12481-00	PIPE 1	1
2	6G8-15100-05-94	CRANKCASE ASSY	1	28	90105-08M37	BOLT, washer based	3
3	99510-10114	PIN, dowel	2	29	90105-08M36	BOLT, washer based	3
4	90119-08M18	BOLT, with washer	4	30	99510-10114	PIN, dowel	2
5	90119-06M12	BOLT, with washer	6	31	97013-06035	BOLT	2
6	6G8-11351-A0	GASKET, cylinder	1	32	92990-06600	WASHER, plate	2
7	6G8-41111-02-9M	INNER COVER, exhaust	1	33	6G8-11181-A0	GASKET, cylinder head 1	1
8	6G8-41112-02	GASKET, exhaust inner cover	1	34	93210-11M59	O-RING	1
9	6G8-41114-00	GASKET, exhaust outer cover	1	35	6G8-11191-01-94	COVER, cylinder head 1	1
10	6G8-41113-01-9M	OUTER COVER, exhaust	1	36	6G8-81336-00	GROMMET	2
11	97313-06025	BOLT	2	37	6G8-15373-00	PIPE, breather	1
12	92990-06600	WASHER, plate	2	38	676-11372-00	NIPPLE, hose	1
13	97313-06030	BOLT	5	39	6G8-11356-00	SEAL, cylinder 2	1
14	92990-06600	WASHER, plate	5	40	97313-06020	BOLT	4
15	6G8-12411-02	THERMOSTAT	1	41	92990-06600	WASHER, plate	4
16	6G8-12413-00-9M	COVER, thermostat	1	42	6G8-11325-00	ANODE	1
17	6E5-24377-00	PIPE, joint 3	1	43	98580-05525	SCREW, pan head	1
18	6G8-12414-A0	GASKET, cover	1	44	6G8-11197-00	PLUG, blind	1
19	97313-06020	BOLT	2	45	93210-13M63	O-RING	1
20	92990-06600	WASHER, plate	2	46	6G8-15363-00	PLUG, oil	1
21	90445-11M66	HOSE	1	47	93210-24M79	O-RING	1
22	6G8-11111-02-94	HEAD, cylinder 1	1	48	94701-00282	PLUG, spark (NGK CR6HS) (F9.9B Model)	2 UR
23	6G8-11133-10	.GUIDE, intake valve	4				
24	93450-09M01	.CIRCLIP	4	94701-00300	PLUG, spark (NGK CR5HS) (F8B Model)	2 UR	
25	676-11372-00	.NIPPLE, hose	1				
26	6G8-11372-01	.NIPPLE, hose	1				

CRANK CYLINDER ASS'Y
(Ref. No. 2 to 5, 7 to 47
Fig. 2, Ref. No. 1 to 12
Fig. 3, Ref. No. 1 to 16)

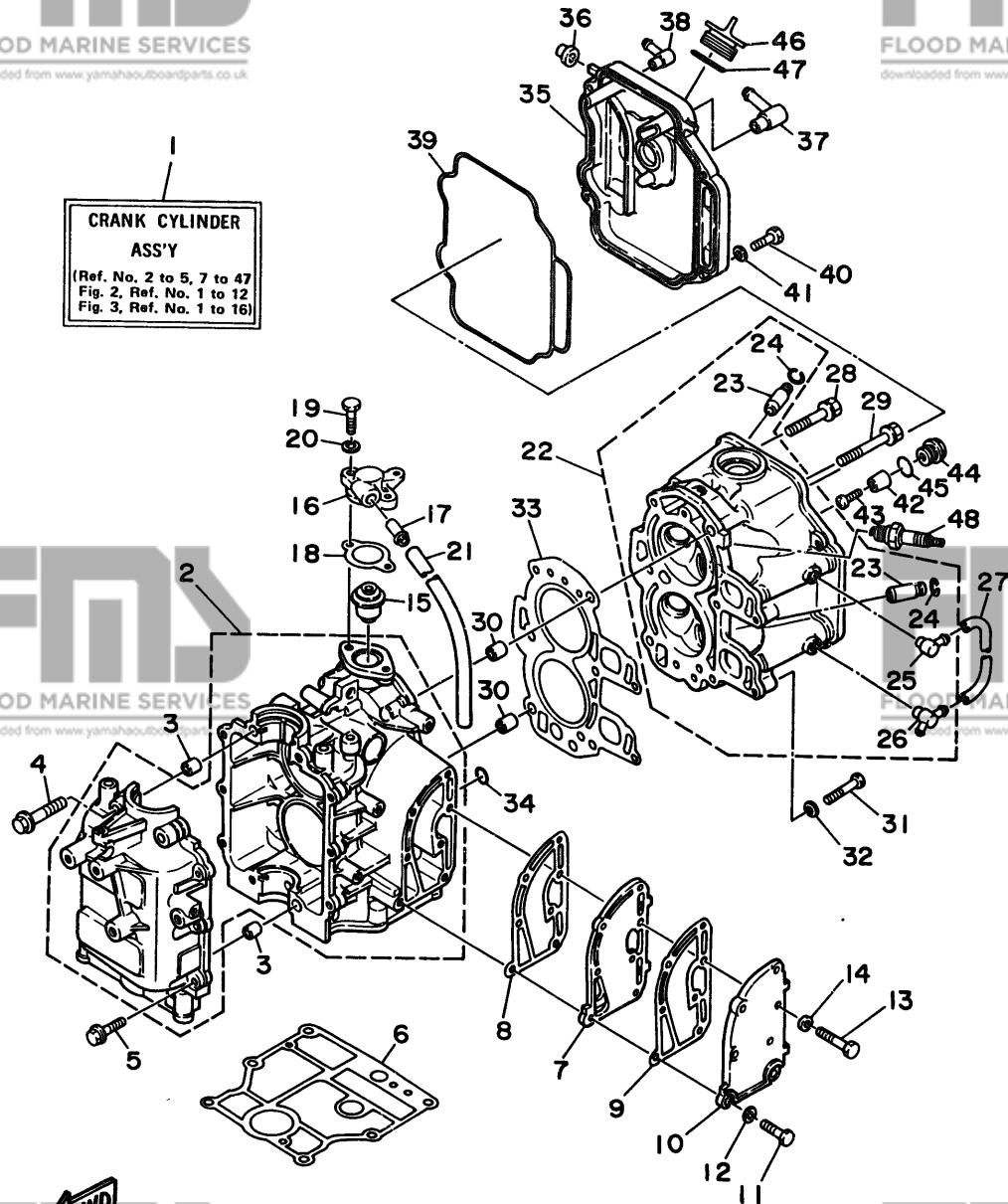


Fig. 2 CRANKSHAFT. PISTON

Ref.No.	Parts No.	Description	Q'ty	Ref.No.	Parts No.	Description	Q'ty
1	6G8-11411-04	CRANKSHAFT	1	7	90201-06M00	WASHER, plate	4
2	93102-30M22	OIL SEAL	1	8	6G8-11426-00	PLANE BEARING, crankshaft 1	2
3	93101-25M24	OIL SEAL	1	9	6G8-11631-03-96	PISTON (STD)	2
4	6G8-11416-00	PLANE BEARING, crankshaft 1 (Brown)	4 UR		6G8-11635-03	PISTON (0.25MM O/S)	2 AP
	6G8-11416-10	PLANE BEARING, crankshaft 1 (Black)	4 UR	10	6G8-11636-03	PISTON (0.50MM O/S)	2 AP
	6G8-11416-20	PLANE BEARING, crankshaft 1 (Blue)	4 UR		6G8-11610-02	PISTON RING SET (STD)	2
5	6G8-11650-03	CONNECTING ROD ASSY	2		6G8-11610-12	PISTON RING SET (0.25MM O/S)	2 AP
6	6G8-11654-00	BOLT, connecting rod	4		6G8-11610-22	PISTON RING SET (0.50MM O/S)	2 AP
				11	634-11633-00	PIN, piston	2
				12	93450-15023	CIRCLIP	4

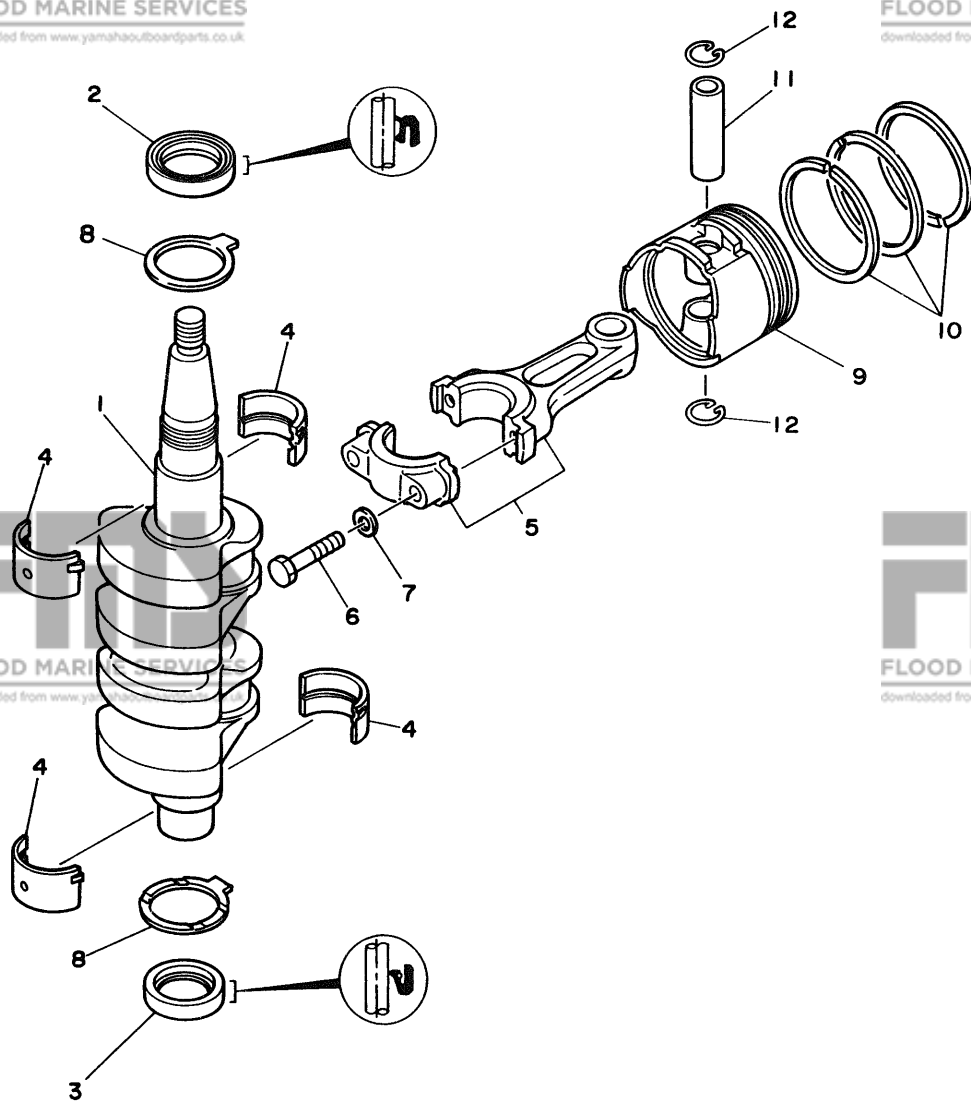
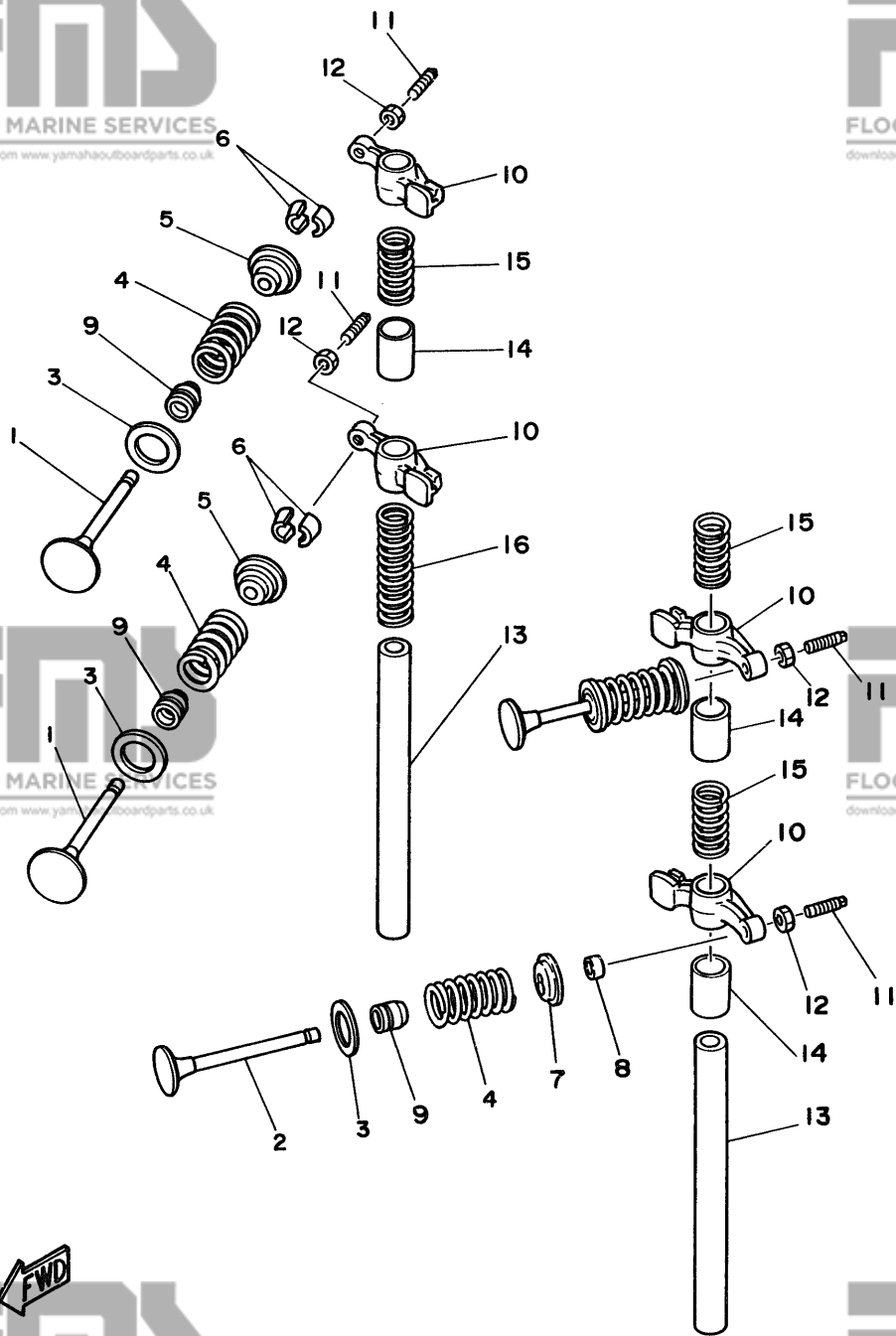


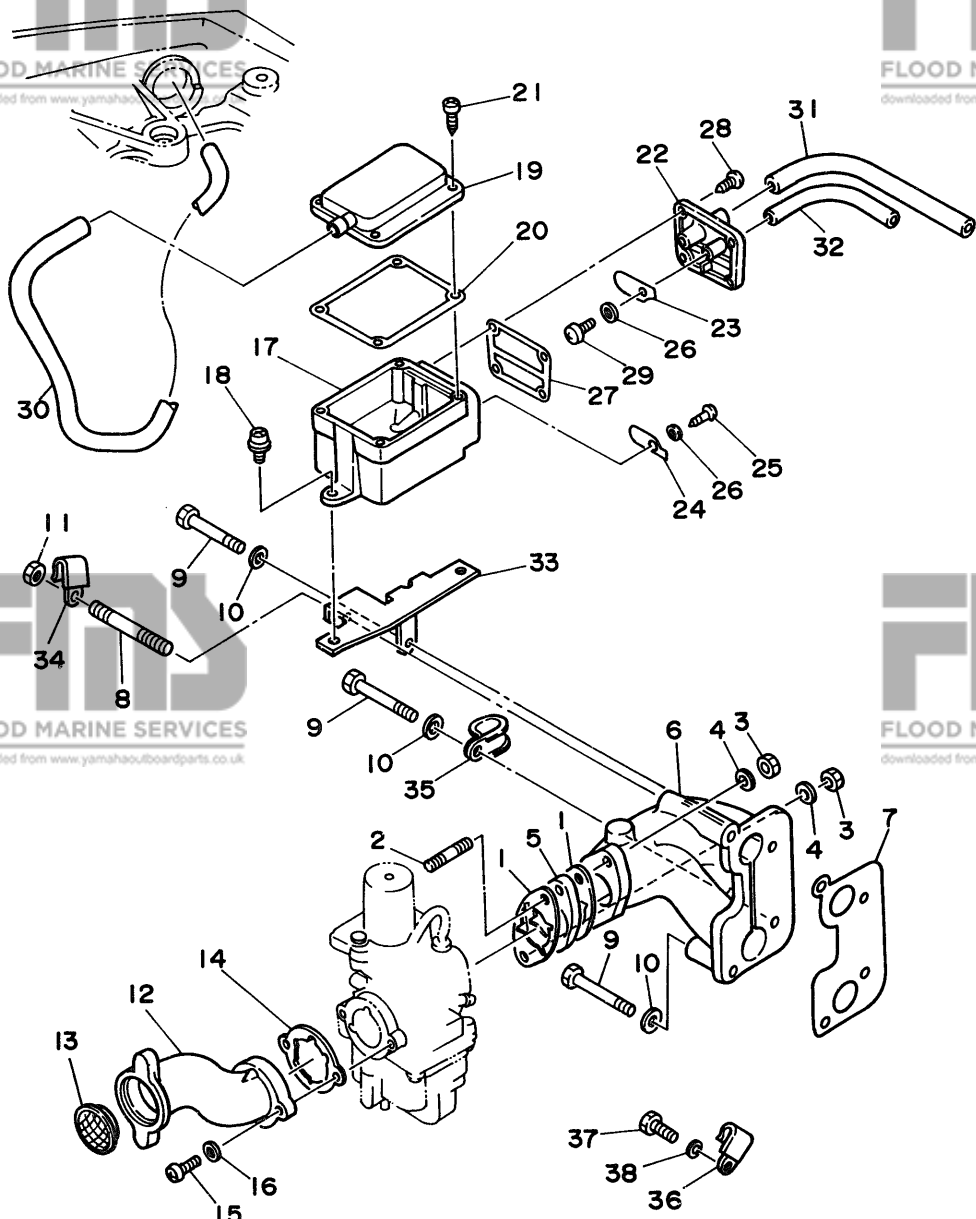
Fig. 3 VALVE

Ref.No.	Parts No.	Description	Q'ty	Ref.No.	Parts No.	Description	Q'ty
1	6G8-12111-00	VALVE, intake	2	9	51Y-12119-00	SEAL, valve stem	4
2	6G8-12121-01	VALVE, exhaust	2	10	6G8-12151-00	ARM, valve rocker	4
3	6G8-12116-00	SEAT, valve spring	4	11	6G8-12159-00	SCREW, valve adjusting	4
4	6G8-12113-00	SPRING, valve inner	4	12	6G8-12158-00	NUT, lock	4
5	6G8-12117-00	RETAINER, valve spring	2	13	6G8-12146-00	SHAFT, rocker	2
6	30X-12118-00	COTTER, valve	4	14	90387-13M56	COLLAR	3
7	6G8-12117-10	RETAINER, valve spring	2	15	90501-12M40	SPRING, compression	3
8	6G8-12153-00	LIFTER, valve	2	16	90501-12M41	SPRING, compression	1



A5

Fig. 4 INTAKE



Ref.No.	Parts No.	Description	Q'ty	Ref.No.	Parts No.	Description	Q'ty
1	6G8-13646-A0	GASKET, manifold 2	2	20	6G8-15369-00	GASKET, oil seal housing	1
2	90116-06M26	BOLT, stud	2	21	97780-40112	SCREW, tapping	4
3	95380-06700	NUT	2	22	6G8-15371-00-94	BREATHER 1	3
4	92990-06600	WASHER, plate	1	23	6G8-15346-00	BREATHER 1	1
5	6G8-13647-00	GASKET, manifold 3	1	24	6G8-15347-00	BREATHER 2	1
6	6G8-13641-01-94	MANIFOLD 1	1	25	97780-40112	SCREW, tapping	1
7	6G8-13645-00	GASKET, manifold 1	1	26	92990-04200	WASHER, plain	2
8	90116-06M15	BOLT, stud	1	27	6G8-15374-00	GASKET, breather	1
9	97395-06045	BOLT	3	28	97780-40112	SCREW, tapping	4
10	92990-06600	WASHER, plate	3	29	98580-04010	SCREW, pan head	1
11	95380-06700	NUT	1	30	6G8-15393-00	PIPE, breather 2	1
12	6G8-14479-01-94	FUNNEL	1	31	90445-11M52	HOSE	1
13	6G8-14478-00	LOUVER	1	32	90445-09065	HOSE	1
14	6G8-14198-A0	GASKET	1	33	6G8-15376-00	HOLDER, guide	1
15	98580-05016	SCREW, pan head	2	34	90465-08028	CLAMP	1
16	92990-05600	WASHER, plate	2	35	90461-06M01	CLAMP	1
17	6G8-15358-00	SEPARATOR, oil	1	36	90465-08028	CLAMP	1
18	90159-06M05	SCREW, with washer	2	37	97013-06012	BOLT	1
19	6G8-15368-00-94	SEPARATOR, oil	1	38	92990-06600	WASHER, plate	1

FWD

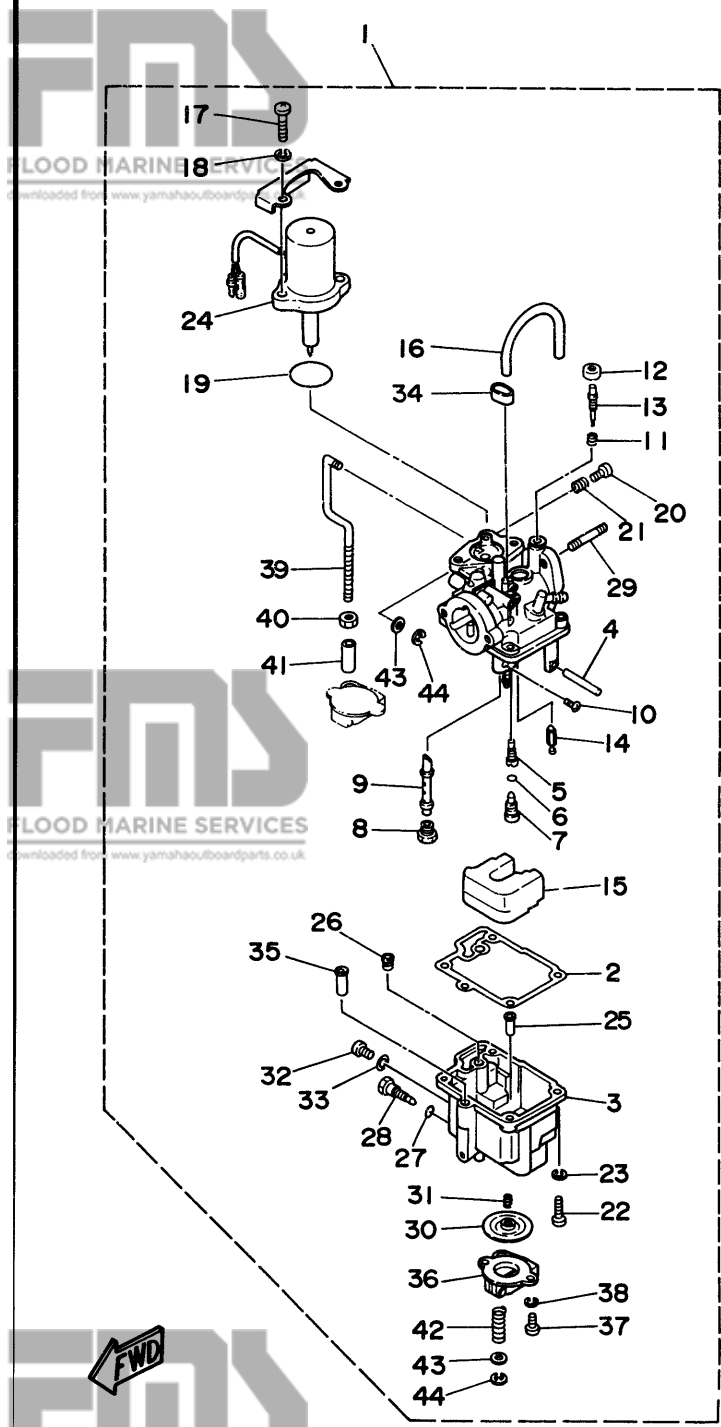


Fig. 5 CARBURETOR

Ref.No.	Parts No.	Description	Q'ty	Ref.No.	Parts No.	Description	Q'ty
1	669-14301-05	CARBURETOR ASSY (F9.9B Model)	1 UR	22	98503-04014	.SCREW, pan head	4
2	669-14301-03	CARBURETOR ASSY (F9.9B Model)	1 UR	23	92990-04100	.WASHER, spring	4
3	669-14301-04	CARBURETOR ASSY (F9.9B Model)	1 UR	24	668-1410A-01	.STARTER SET	1 UR
4	6J6-14301-06	CARBURETOR ASSY (F8B Model)	1 UR	25	668-1410A-00	.STARTER SET	1 UR
5	6J6-14301-04	CARBURETOR ASSY (F8B Model)	1 UR	26	668-14287-00	.FILTER	1
6	668-14384-01	.GASKET, float chamber	1	27	6A4-14344-30	.JET, starter (# 60)	1 UR
7	668-14381-02	.BODY, float chamber	1 UR	28	6A4-14344-24	.JET, starter (# 48, F9.9B Model)	1 UR
8	668-14381-01	.BODY, float chamber	1 UR	29	6A4-14344-25	.JET, starter (# 50)	1 UR
9	647-14386-10	.PIN, float	1	30	5Y1-14397-00	.ORING	1
10	668-14342-24	.JET, pilot (# 48)	1 UR	31	668-14383-00	.SCREW, drain	1
11	668-14342-22	.JET, pilot (# 44)	1 UR	32	90116-06M26	.BOLT, stud	2
12	654-14198-00	.GASKET	1	33	668-14368-01	.DIAPHRAGM ASSY 1	1
13	668-14345-00	.PLUG, main nozzle	1	34	668-14275-01	.SPRING	1 UR
14	648-14343-43	.JET, main (# 86)	1 UR	35	668-14275-00	.SPRING	1 UR
15	648-14343-42	.JET, main (# 84)	1 UR	36	97890-05006	.SCREW, pan head	1
16	668-14341-20	.NOZZLE, main	1 UR	37	646-14198-01	.GASKET	1
17	668-14341-10	.NOZZLE, main	1 UR	38	668-14389-00	.PIPE	1
18	668-14216-00	.SCREW	1	39	668-14217-00	.VALVE, choke	1 UR
19	647-14334-00	.SPRING	1	40	668-14217-01	.VALVE, choke	1 UR
20	668-14997-00	.SEAL	1	41	668-14293-03	.COVER 1	1 UR
21	668-14323-00	.SCREW, air adjusting	1	42	668-14293-02	.COVER 1	1 UR
22	668-14392-00	.VALVE, needle	1	43	98580-04010	.SCREW, pan head	2
23	668-14385-00	.FLOAT	1	44	92990-04100	.WASHER, spring	2
24	668-14197-01	.PIPE	2	45	668-14379-00	.ROD, starter	1
25	98503-06014	.SCREW, pan head	2	46	98813-03100	.NUT	1
26	92990-06100	.WASHER, spring	2	47	668-14229-00	.SHAFT, choke	1
27	1HV-14147-00	O-RING	1	48	668-14286-01	.SPRING	1
28	98503-04014	.SCREW, pan head	1	49	668-14286-01	.SPRING	1
29	646-14212-01	.SPRING, pilot adjusting	1	50	668-14357-00	.WASHER, plain	2
30				51	389-14137-00	.CLIP	2

- F8BM S:000274 and following, L:301001 and following
 - E S:100204 and following, L:400626 and following
 - EM S:200121 and following, L:500441 and following
- F9.9BM S:008315 and following, L:305656 and following
 - E S:100946 and following, L:401405 and following
 - EM S:200232 and following, L:500265 and following
- F9.9BM S:008200 and following, L:305540 and following
 - E S:100931 and following, L:401400 and following
 - EM S:200232 and following, L:500265 and following
- F8BM S:000273 and below, L:301000 and below
 - E S:100203 and below, L:400625 and below
 - EM S:200120 and below, L:500440 and below
 - F9.9BM S:008199 and below, L:305539 and below
 - E S:100930 and below, L:401399 and below
 - EM S:200231 and below, L:500264 and below

Fig. 6 OIL PUMP

Ref.No.	Parts No.	Description	Q'ty	Ref.No.	Parts No.	Description	Q'ty
1	6G8-46241-00	V-BELT	1	14	93210-27ME3	O-RING	1
2	6G8-11536-00-94	GEAR, drive	1	15	93210-10M61	O-RING	1
3	6G8-11557-00	WASHER 1	2	16	93210-09M01	O-RING	1
4	90170-24M09	NUT	1	17	93210-13M63	O-RING	2
5	6G8-11587-00	WASHER, lock	1	18	97395-06025	BOLT	3
6	6G8-11537-00-94	GEAR, driven	1	19	92990-06600	WASHER, plate	3
7	90280-03M01	KEY, woodruff	2	20	6G8-13442-00-94	HOUSING, oil filter	1
8	90201-13201	WASHER, plate	1	21	6G8-13440-00	ELEMENT ASSY, oil cleaner	1
9	97313-06016	BOLT	1	22	93210-09M01	O-RING	2
10	90201-06M94	WASHER, plate	1	23	97313-06050	BOLT	1
11	6G8-12171-00	CAMSHAFT 1	1	24	92990-06600	WASHER, plate	1
12	93102-18M21	OIL SEAL	1	25	97313-06030	BOLT	1
13	6G8-13300-02	OIL PUMP ASSY	1	26	92990-06600	WASHER, plate	1

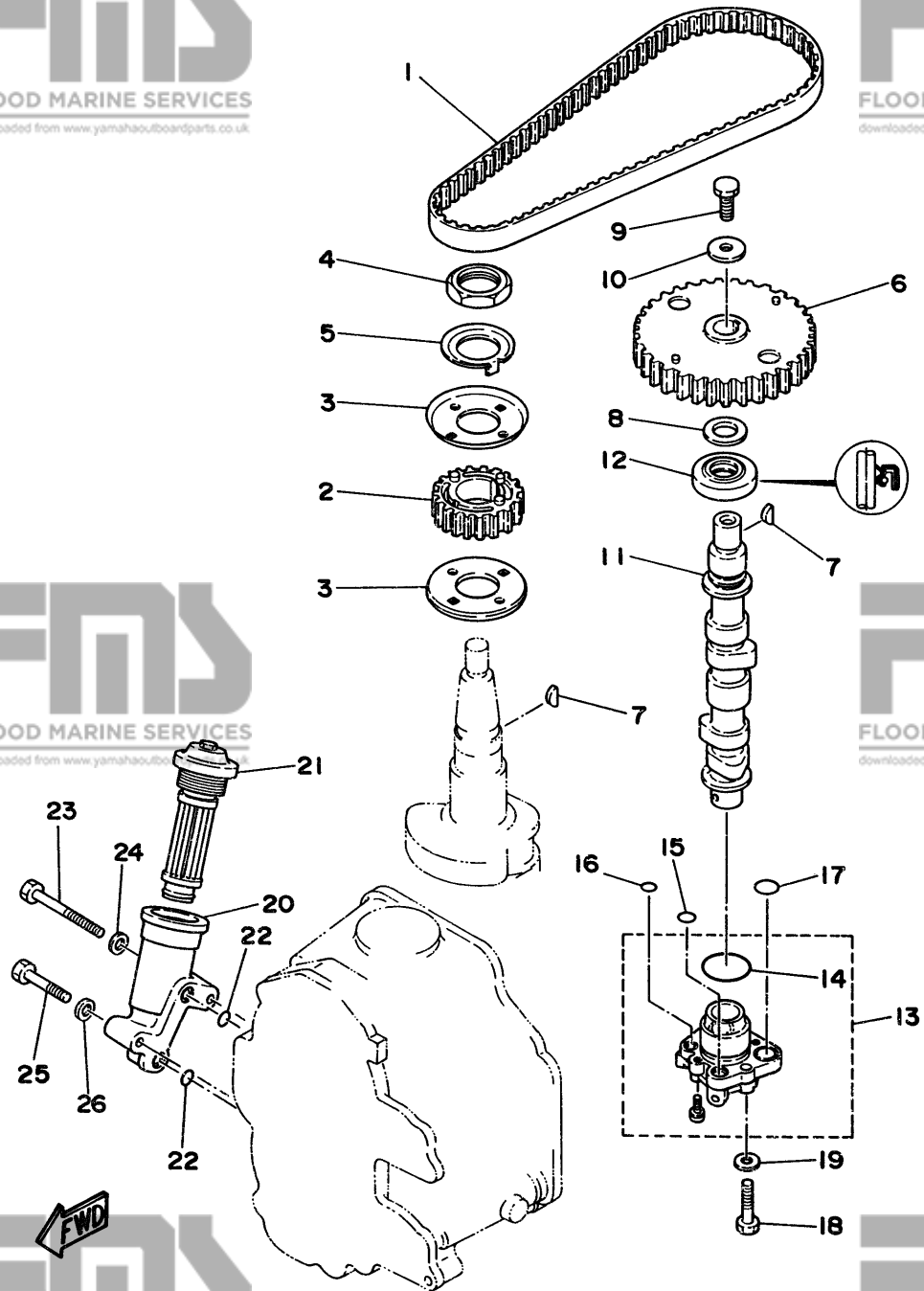


Fig. 7 OIL PAN

Ref.No.	Parts No.	Description	Q'ty	Ref.No.	Parts No.	Description	Q'ty
1	6G8-11575-00	RELIEF VALVE ASS'Y	1	10	97313-06010	BOLT	1
2	93210-12M62	O-RING	1	11	92990-06100	WASHER, spring	1
3	6G8-15379-00	SEAL, crankcase	1	12	6G8-13421-00	STRAINER 2	1
4	6G8-13487-00	GUIDE, oil hose	1	13	6G8-15316-00	DAMPER, engine mount 1	1
5	98501-05012	SCREW, pan head	1	14	90105-06M33	BOLT, washer based	9
6	92901-05600	WASHER, plate	1	15	6G8-13471-00	PLUG, drain	1
7	6G8-15311-02-0D	OIL PAN	1	16	93210-16M64	O-RING	1
8	6G8-15312-A1	GASKET, oil pan	1	17	6G8-15362-04	PLUG, oil level	1
9	6G8-45127-00	SEAL	1				

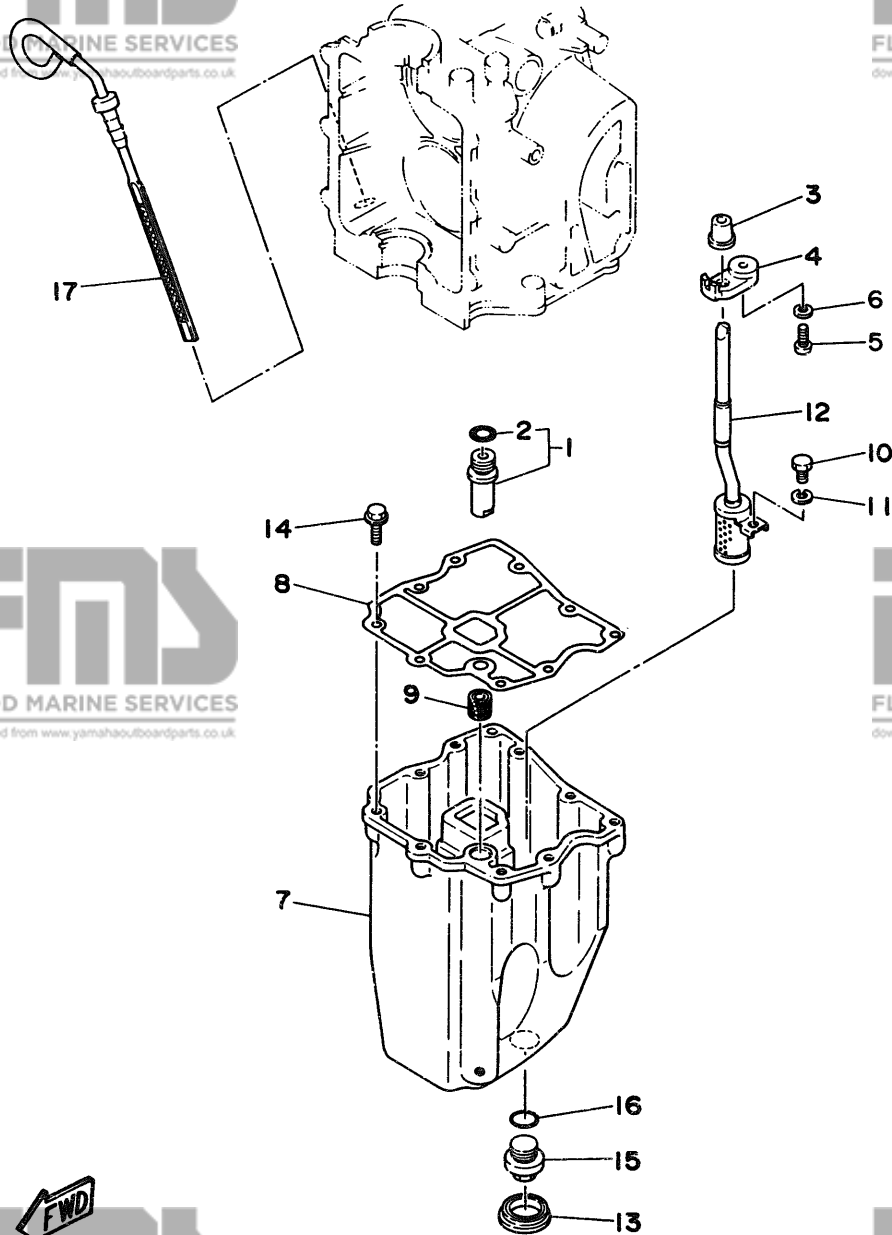
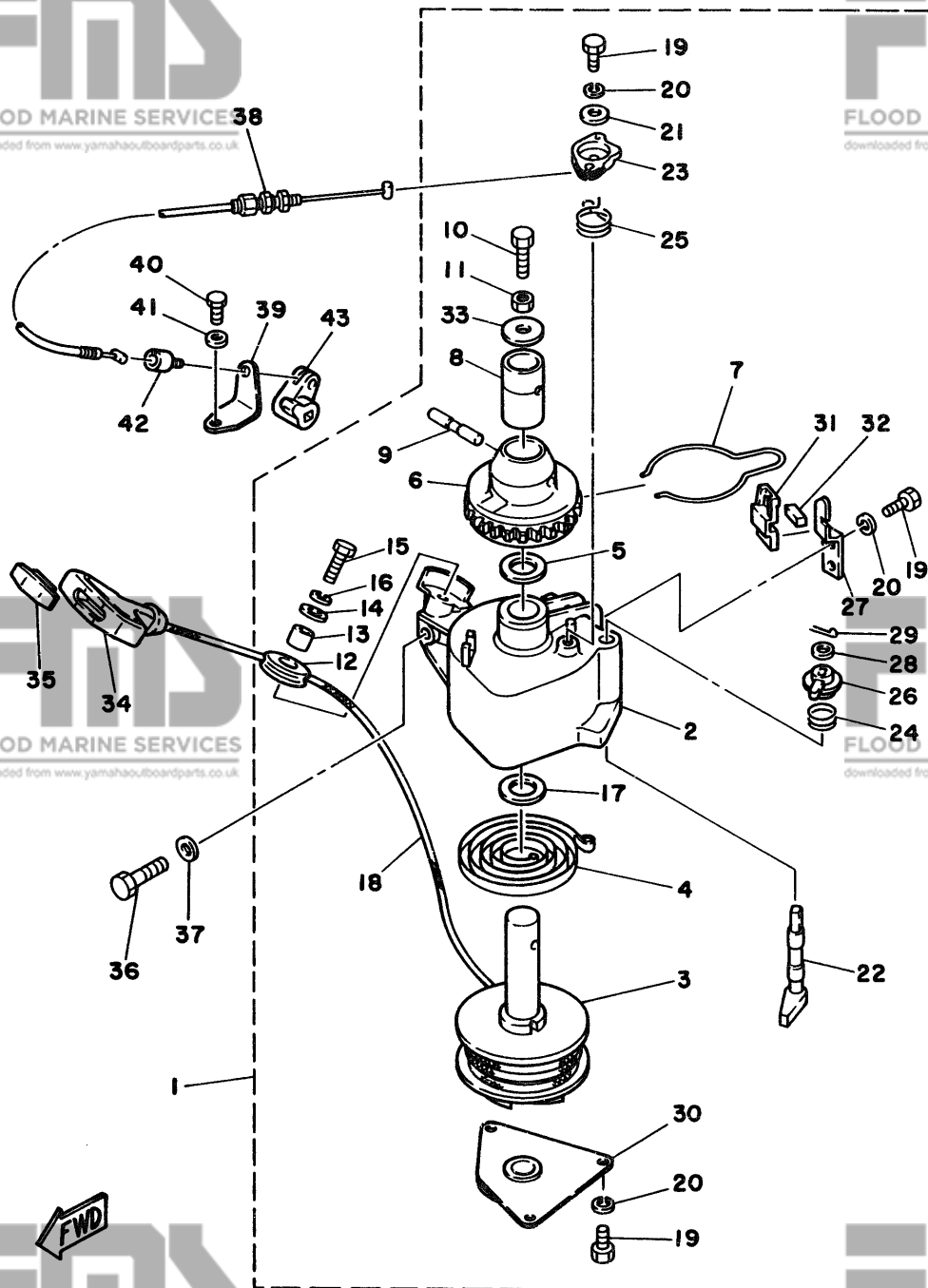


Fig. 8 STARTER

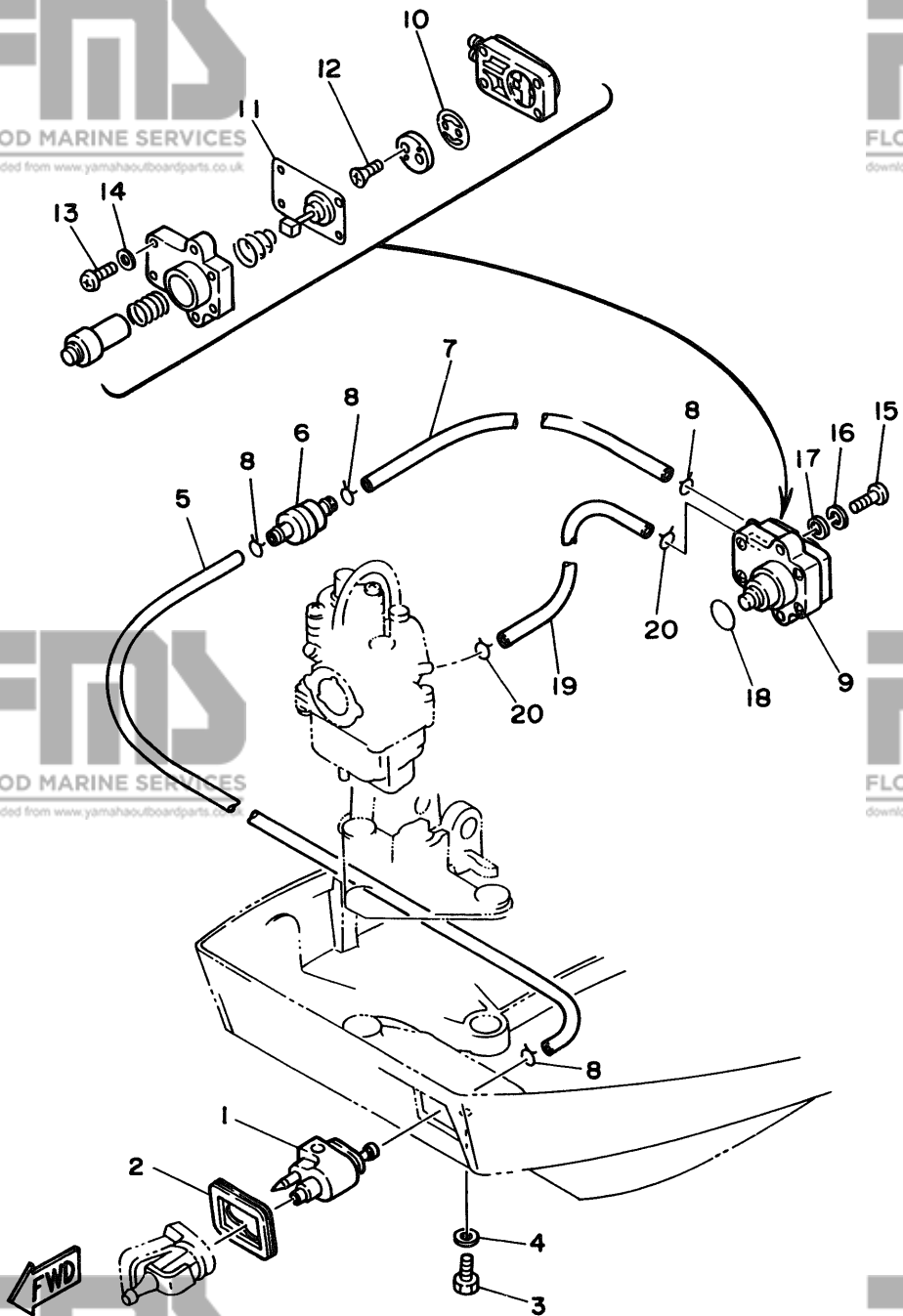


Ref.No.	Parts No.	Description	Q'ty	Ref.No.	Parts No.	Description	Q'ty
1	668-15710-10	STARTER ASSY	1	23	668-15746-00	.ARM	1
2	668-15711-00	.CASE, starter	1	24	668-15767-00	.SPRING	1
3	668-15714-00	.DRUM, sheave	1	25	668-15734-00	.SPRING, return	1
4	668-15713-00	.SPRING, starter	1	26	668-15747-00	.LINK	1
5	668-15719-00	.WASHER, thrust	1	27	668-15716-00	.PLATE, drive	1
6	668-15723-00	.PULLEY, starter	1	28	92990-06200	.WASHER, plain	1
7	668-15715-00	.SPRING, drive plate	1	29	91490-16015	.PIN, cotter	1
8	668-15754-00	.BUSH 2	1	30	668-15712-00	.COVER, starter case	1
9	668-15727-00	.PIN	1	31	668-15779-00	.COVER	1
10	668-15768-00	.BOLT	1	32	668-15789-00	.DAMPER	1
11	95303-08700	.NUT	1	33	668-15742-00	.WASHER, drive pawl	1
12	6F5-15752-00	.ROLLER, wire	1	34	6G1-15755-00	HANDLE, starter	1
13	663-15753-00	.BUSH	1	35	689-15779-01	COVER	1
14	663-15791-00	.WASHER, lock	1	36	97313-08030	BOLT	3
15	97315-06025	.BOLT	1	37	92990-08600	WASHER, plate	3
16	92995-06100	.WASHER, spring	1	38	668-15770-00	CABLE COMP., starter stop	1
17	668-15739-00	.WASHER, thrust	1	39	668-15771-00	STAY 1	1
18	*	.WIRE (L:1850mm)	1	40	97395-06012	BOLT	1
19	97313-05012	.BOLT	6	41	92990-06600	WASHER, plate	1
20	92990-05100	.WASHER, spring	6	42	668-15772-00	STAY 2	1
21	668-15726-00	.WASHER, flat	1	43	668-44125-00	LEVER, shift rod	1
22	668-15794-00	.STOPPER	1				

* Cut from 50m rolls, parts No. 90890-44373, cutting length 1.85m.

Fig. 9 FUEL

Ref.No.	Parts No.	Description	Q'ty	Ref.No.	Parts No.	Description	Q'ty
1	661-24304-02	FUEL PIPE JOINT COMP. 1	1	11	668-24411-02	.DIAPHRAGM	1
2	668-24329-00	SEAL	1	12	98780-03008	.SCREW, flat head	2
3	97395-06020	BOLT	1	13	98503-04014	.SCREW, pan head	4
4	92990-06600	WASHER, plate	1	14	92990-04200	.WASHER, plain	4
5	668-24311-00	PIPE, fuel 1	1	15	98580-06025	SCREW, pan head	2
6	646-24251-02	STRAINER 1	1	16	92995-06100	WASHER, spring	2
7	90445-09065	HOSE	1	17	92990-06600	WASHER, plate	2
8	90467-08004	CLIP	4	18	93210-20M65	O-RING	1
9	668-24410-02	FUEL PUMP ASSY	1	19	90445-09225	HOSE	1
10	668-24421-00	.VALVE, check	1	20	90467-08004	CLIP	2



B4

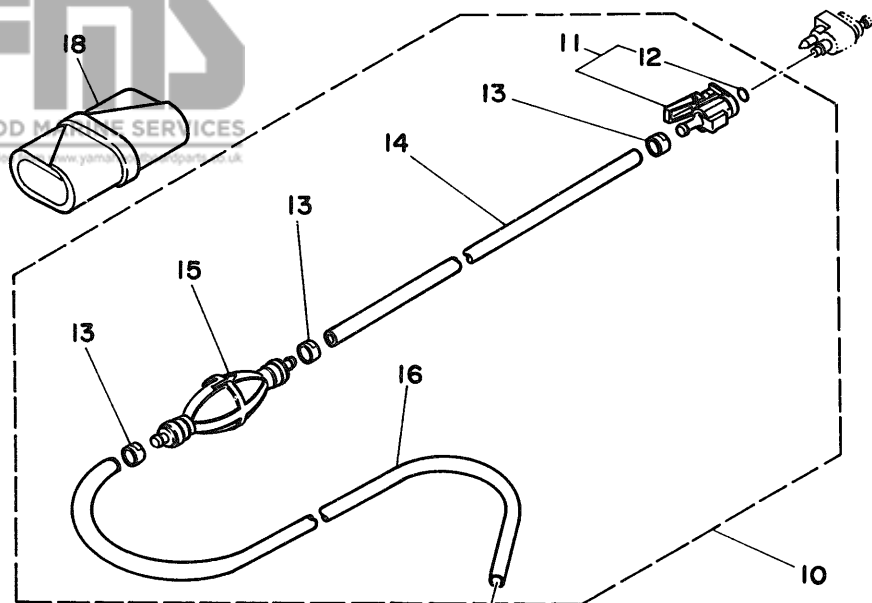


Fig. 10 FUEL TANK

Ref.No.	Parts No.	Description	Q'ty	Ref.No.	Parts No.	Description	Q'ty
1	6Y4-W2420-80-24	FUEL TANK ASSY	1	10	6Y4-24306-80	FUEL PIPE COMP. 1	1
2	6Y1-24246-00	.GRAPHIC, side	2	11	6G1-24305-00	.FUEL PIPE JOINT COMP. 2	1
3	6Y1-24257-00	.GRAPHIC	1	12	93210-08287	..O-RING	1
4	6Y1-24610-12	.CAP ASSY	1	13	650-24351-51	.BAND 1	3
5	6Y4-24275-80	.FUEL METER COMP.	1	# 14	90445-11M05	.HOSE (L:850mm)	1
6	6Y1-24268-00	.GASKET, fuel meter	1	15	6Y1-24360-51	.PRIMER PUMP ASSY	1
7	98586-05016	.SCREW, pan head	4	# 16	90445-11M06	.HOSE (L:2050mm)	1
8	6Y1-24329-00	.SEAL	4	17	650-24351-51	BAND 1	1
9	6Y1-24256-80	.GRAPHIC, fuel tank 9	1	18	676-W2810-00	TOOL KIT	1

Also available in 30m rolls. (Parts No. 90890-56878)

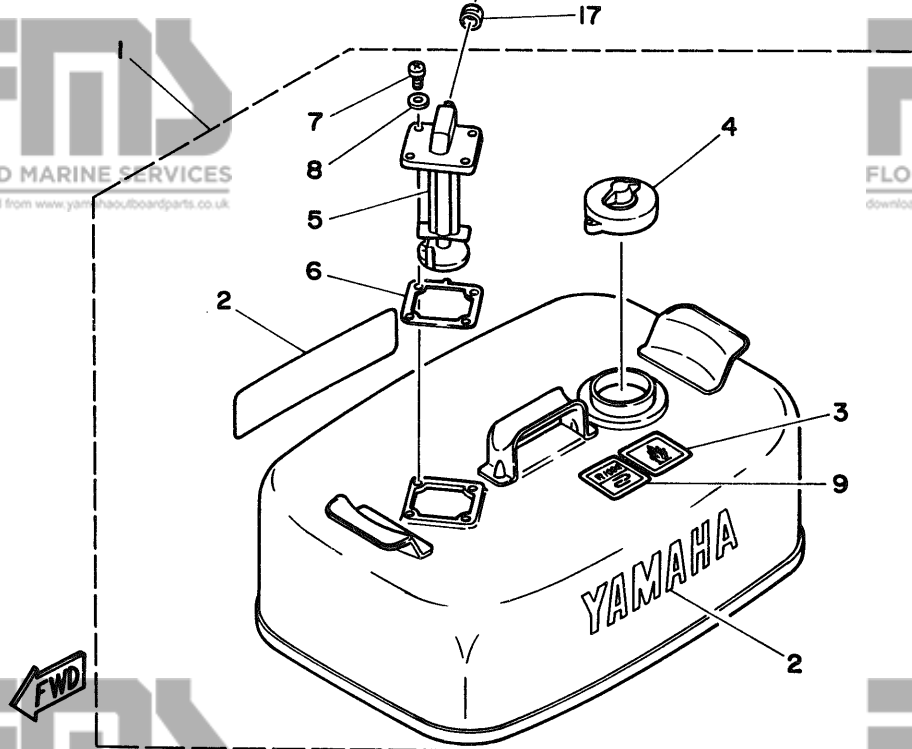
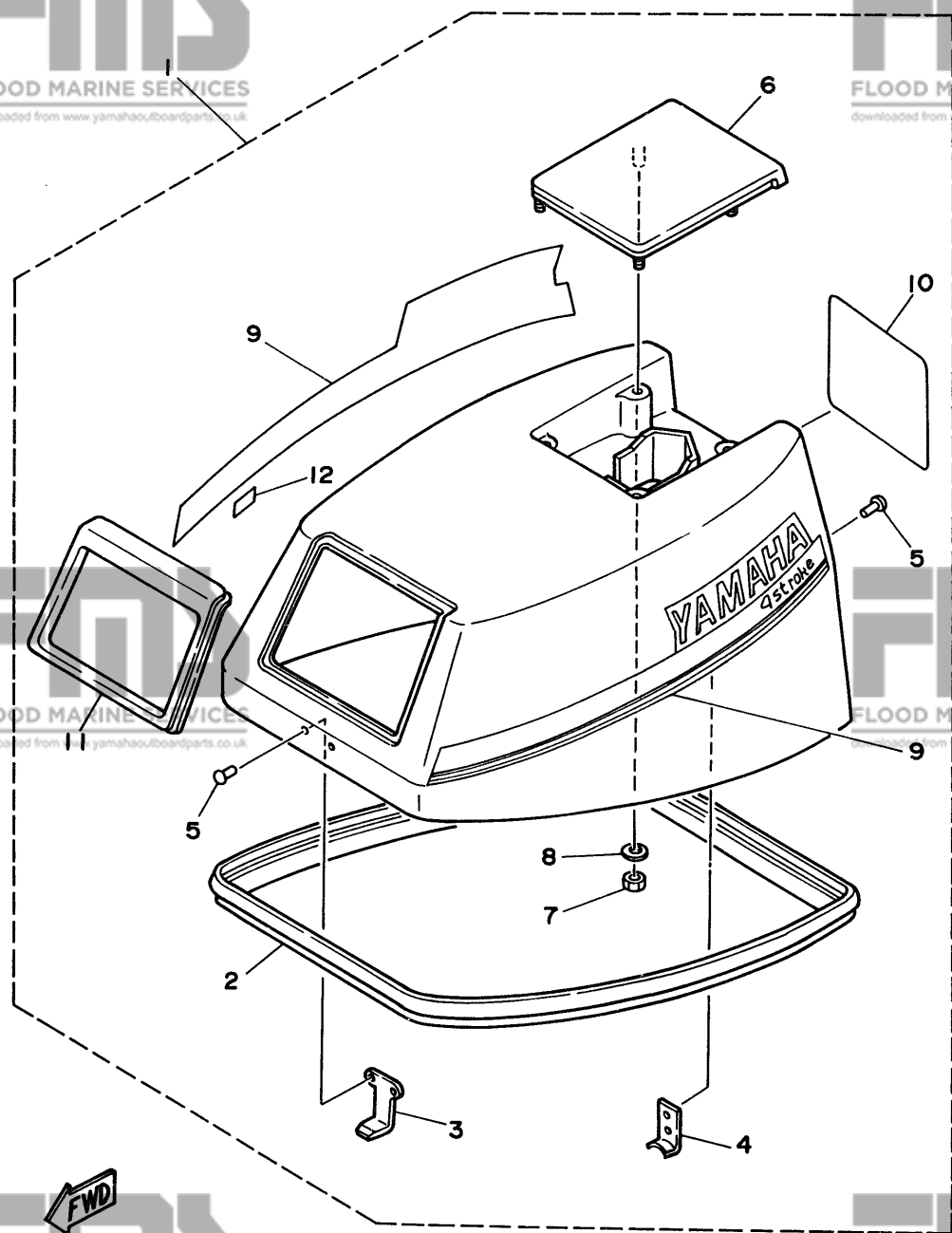


Fig. 11 TOP COWLING



Ref.No.	Parts No.	Description	Q'ty	Ref.No.	Parts No.	Description	Q'ty
1	6G9-42610-23-EJ	TOP COWLING ASSY (F9.9B Model)	1 UR	7	95680-06100	.NUT	4
	6J7-42610-23-EJ	TOP COWLING ASSY (F8B Model)	1 UR	8	92990-06200	.WASHER, plain	4
2	6G8-42615-00	.SEAL	1	9	6G9-W0070-22	.GRAPHIC SET	1
3	6G8-42651-00	.HOOK	1	10	6G9-42678-22	.GRAPHIC, rear (F9.9B Model)	1 UR
4	6G8-42652-00	.HOOK	1		6J7-42678-22	.GRAPHIC, rear (F8B Model)	1 UR
5	90266-04M04	.RIVET	4	11	6G8-42628-01	.SEAL	1
6	6G8-42613-00-EJ	.MOLDING, air duct	1	12	6E0-44191-11	.INDICATOR, shift	1

Fig. 12 BOTTOM COWLING

Ref.No.	Parts No.	Description	Q'ty	Ref.No.	Parts No.	Description	Q'ty
1	6G8-42711-01-EJ	COWLING, bottom	1	16	90201-06M31	WASHER, plate	2
2	90480-09M35	GROMMET	8	17	90387-06M72	COLLAR	1
3	97313-06030	BOLT	2	18	90206-08M13	WASHER, wave	1
4	97313-06040	BOLT	2	19	6G8-42748-00	GROMMET	1
5	90387-06M15	COLLAR	4	20	97395-06016	BOLT	2
6	90201-06M31	WASHER, plate	4	21	92990-06600	WASHER, plate	2
7	6G9-42724-00	GROMMET	1 UR	22	6G8-42738-00-94	PLATE, fitting	1
	6G8-42724-00	GROMMET (For Remote Control)	1 UR	23	6G8-42719-00-EJ	PANEL, front lower	1
8	6G8-44391-00	NIPPLE, hose	1	24	90480-19031	GROMMET	1
9	6G8-12482-00	PIPE 2	1	25	90445-05ME6	HOSE	1
10	6G8-42727-00	GROMMET	1	26	97395-06016	BOLT	4
11	6G8-42815-00	LEVER, clamp	1	27	92990-06600	WASHER, plate	4
12	6G8-42831-00	BUSHING	1	28	6G8-W4261-00	PANEL, front upper	1
13	6G8-42811-00-94	STAY	1	29	6G8-42677-00	GRAPHIC, front	1
14	97313-06016	BOLT	1	30	6G8-42629-01	SEAL	1
15	90386-08M49	BUSH	1	31	6G8-42755-00	HINGE, cowling	1
				32	91490-16010	PIN, cotter	1
				33	682-84381-00	2P CONCENT	1

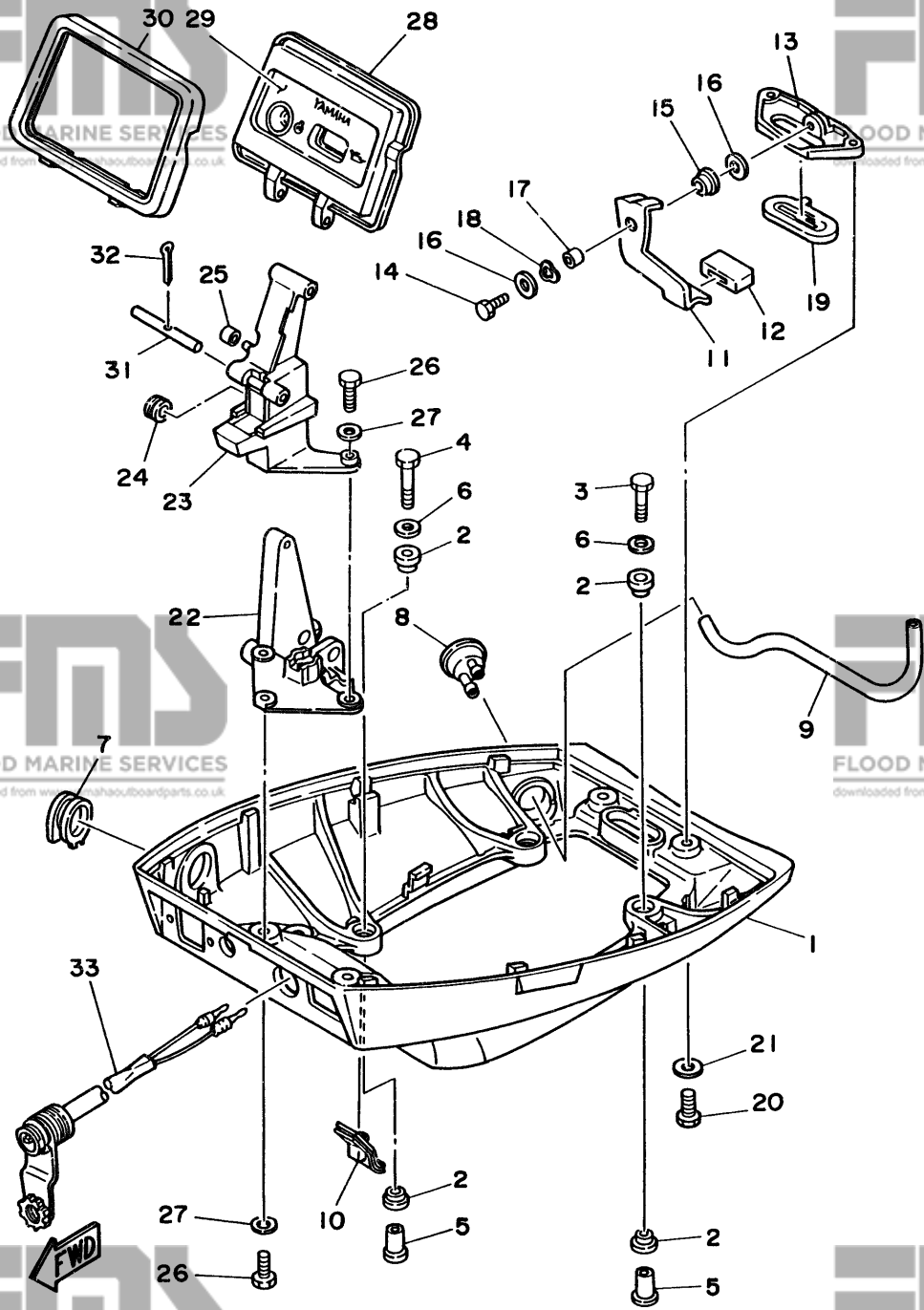
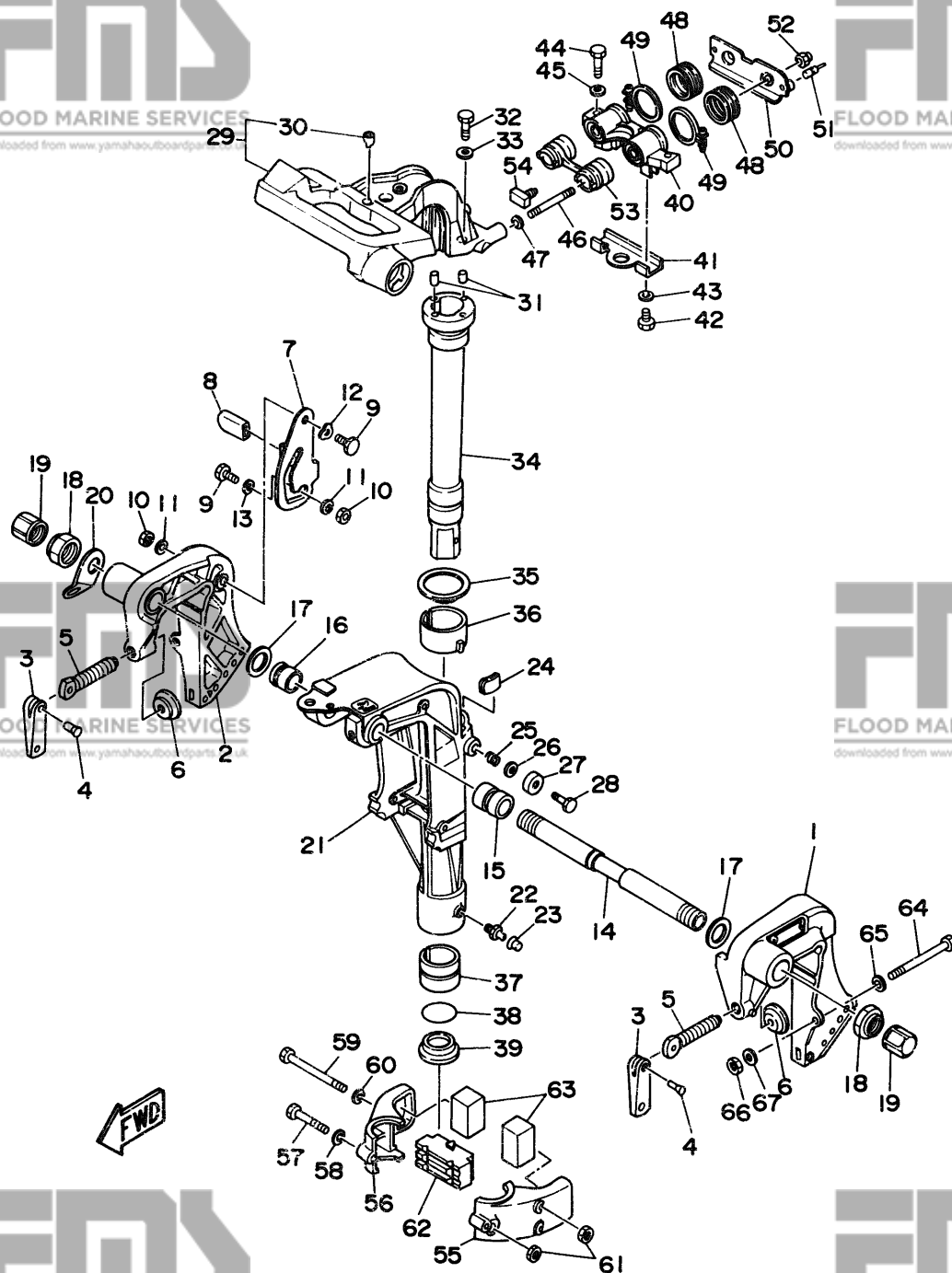
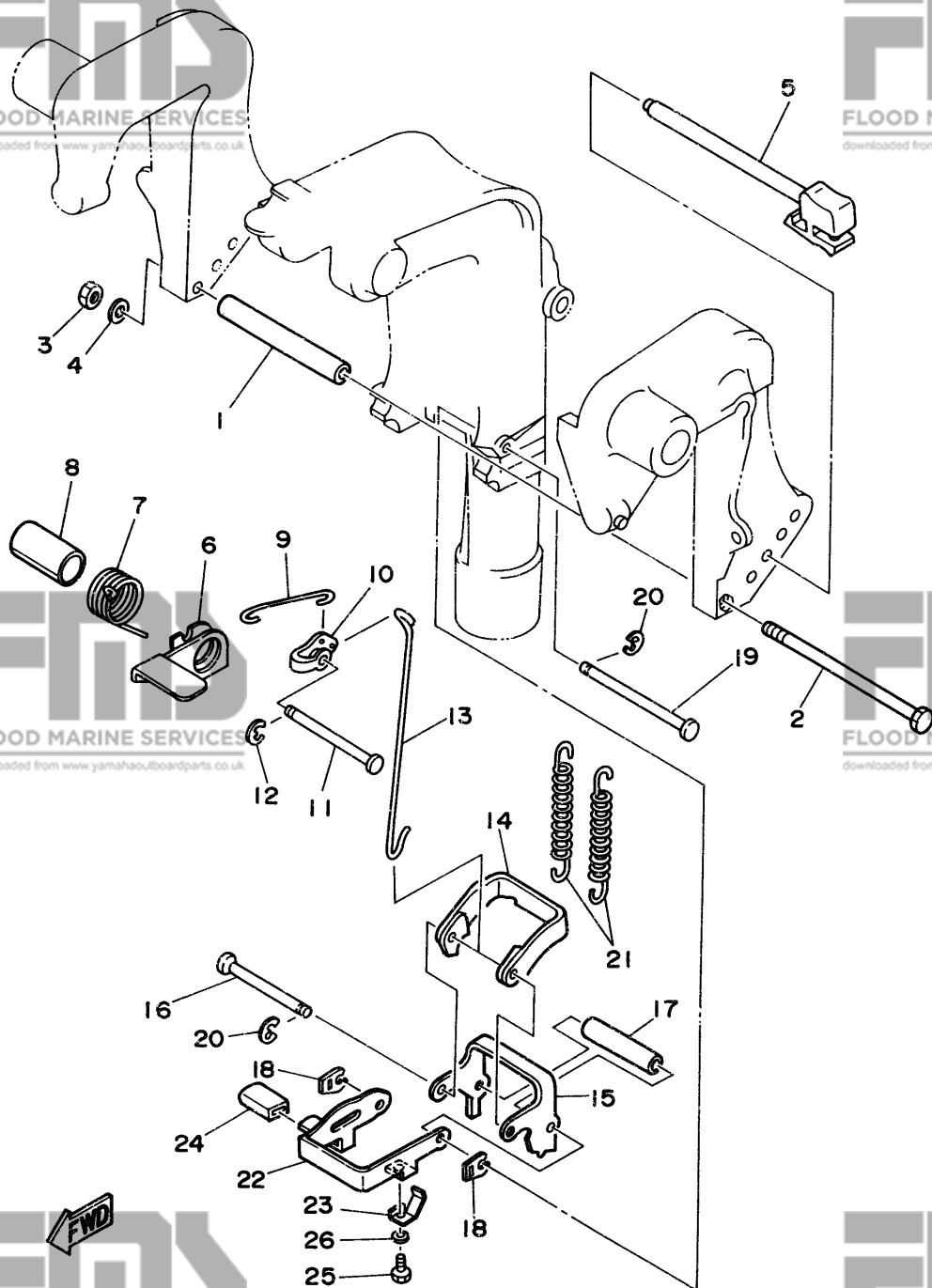


Fig. 13 BRACKET 1



Ref.No.	Parts No.	Description	Q'ty	Ref.No.	Parts No.	Description	Q'ty
1	6G8-43111-03-EJ	BRACKET, clamp	1	34	6G8-42521-10-94	SHAFT, steering pivot (Long)	1 UR
2	6G8-43112-04-EJ	BRACKET, clamp	1	35	90209-45M09	WASHER	1
3	616-43118-00-EJ	HANDLE, transom clamp	2	36	6G8-42537-00	BUSHING, pivot shaft	1
4	90243-04M00	PIN	2	37	90386-37M47	BUSH	1
5	6E7-43116-00	SCREW	2	38	93210-37M67	O-RING	1
6	648-43114-01	PAD, transom clamp	2	39	90386-37M48	BUSH	1
7	6G8-43181-00	LEVER, tilt stop	1	40	6G8-44517-00-94	MOUNT RUBBER	1
8	682-43318-01	COVER	1	41	6G8-44526-00	PLATE	1
9	90109-06M25	BOLT	2	42	97395-06012	BOLT	2
10	95680-06100	NUT, u	2	43	92990-06600	WASHER, plate	2
11	92990-06600	WASHER, plate	2	44	97395-08030	BOLT	2
12	90206-10M15	WASHER, wave	1	45	92990-08600	WASHER, plate	2
13	682-43339-01	WASHER	1	46	90116-08M28	BOLT, stud	2
14	6G8-43131-00	BOLT	1	47	90201-08M12	WASHER, plate	2
15	90386-22M92	BUSH	1	48	6G8-44522-00	SEAL	2
16	90386-22M93	BUSH	1	49	90460-38M06	CLAMP, hose	2
17	90201-22428	WASHER, plate	2	50	6G8-44518-00	BRACKET COMP.	1
18	90185-22043	NUT, self-locking	2	51	6G8-44533-00	DAMPER, upper mount rubber	2
19	6G5-43145-00	CAP, clamp bracket	2	52	95780-08300	NUT, flange	2
20	6J8-43113-01	PLATE, clamp bracket	1	53	6G8-44521-00	SEAL	1
21	6G9-43311-03-EJ	BRACKET, swivel (Short)	1 UR	54	6G8-44532-00	STOPPER, upper mount	1
	6G8-43311-14-EJ	BRACKET, swivel (Long)	1 UR	55	6G8-44551-01-EJ	HOUSING, lower mount rubber	1
22	93700-06M03	NIPPLE, grease	1	56	6G8-44552-02-EJ	HOUSING, lower mount rubber	1
23	663-45119-00	CAP, grease nipple	1	57	97395-06045	BOLT	1
24	6G8-42528-00	PLATE, friction	1	58	92990-06600	WASHER, plate	1
25	90501-18M00	SPRING, compression	1	59	97395-06095	BOLT	2
26	90201-06M31	WASHER, plate	1	60	92990-06600	WASHER, plate	2
27	6G8-43373-00	SEAL, damper	1	61	95380-06700	NUT	3
28	97395-06025	BOLT	1	62	6G8-44557-00	MOUNT DAMPER, lower front	1
29	6G9-42511-01-EJ	BRACKET, steering	1	63	682-44555-00	MOUNT DAMPER, lower side	2
30	6G8-42534-00	.PIN, dowel	1	64	90101-08M88	BOLT	2
31	93605-15065	PIN, dowel	2	65	92990-08600	WASHER, plate	2
32	97315-06030	BOLT	2	66	95780-08300	NUT, flange	2
33	92990-06600	WASHER, plate	2	67	90201-08MA4	WASHER, plate	2
34	6G9-42521-00-94	SHAFT, steering pivot (Short)	1 UR				

Fig. 14 BRACKET 2



Ref.No.	Parts No.	Description	Q'ty	Ref.No.	Parts No.	Description	Q'ty
1	90387-06M09	COLLAR	1	15	682-43615-01	PLATE, tilt lock	1
2	97395-06135	BOLT	1	16	682-43611-01	SHAFT, tilt lock	1
3	95380-06700	NUT	1	17	90387-06M20	COLLAR	1
4	92990-06600	WASHER, plate	1	18	682-43673-00	WASHER i	2
5	668-43160-01	TILT ROD ASSY	1	19	682-43659-00	SHAFT, reverse lock	1
6	668-43631-02	LEVER, tilt	1	20	99080-05600	CIRCLIP	2
7	90508-18M33	SPRING, torsion	1	21	90506-26M01	SPRING, tension	2 UR
8	90386-20M94	BUSH	1		90506-26M07	SPRING, tension (For Dual Thrust Prop.)	2 UR
9	668-43616-00	ROD, tilt lock	1	22	669-43681-00	LEVER, shallow water drive	1
10	682-43641-00	LEVER, tilt	1	23	669-43643-00	SPRING	1
11	90249-06M20	PIN	1	24	682-43318-01	COVER	1
12	99080-05600	CIRCLIP	1	25	97395-06008	BOLT	1
13	6C8-43617-00	ROD, tilt lock	1	26	92990-06600	WASHER, plate	1
14	682-43614-00	PLATE, tilt lock	1				

Fig. 15 STEERING

Ref.No.	Parts No.	Description	Q'ty	Ref.No.	Parts No.	Description	Q'ty
1	669-42111-02-EJ	HANDLE, steering	1	12	90269-02M09	RIVET	1
2	669-42112-01-EJ	HANDLE, steering	1	13	668-42177-00	RUBBER, handle	1
3	98780-05016	SCREW, flat head	3	14	90386-33M56	BUSH	1
4	668-42126-01-94	FRICTION, steering handle grip	1	15	90206-20M14	WASHER, wave	1
5	90501-23M42	SPRING, compression	1	16	90201-20M00	WASHER, plate	2
6	97890-06030	SCREW, pan head	1	17	90185-20M03	NUT, self-locking	1
7	90201-06049	WASHER, plate	1	18	90202-20M33	WASHER, plate	1
8	90202-06007	WASHER, plate	1	19	669-W0084-81-EJ	HANDLE STEERING ASSY (F9.9B Model)	1 UR
9	95380-06700	NUT	1				
10	668-42119-00	GRIP, steering handle	1				
11	668-42137-01	INDICATOR, throttle (F9.9B Model)	1 UR				
	6J6-42137-00	INDICATOR, throttle (F8B Model)	1 UR				
					6J7-W0084-81-EJ	HANDLE STEERING ASSY (F8B Model)	1 UR

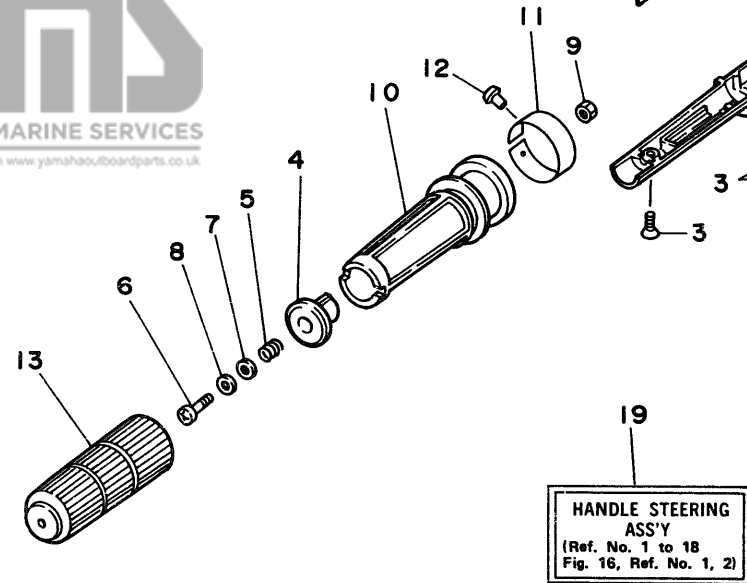
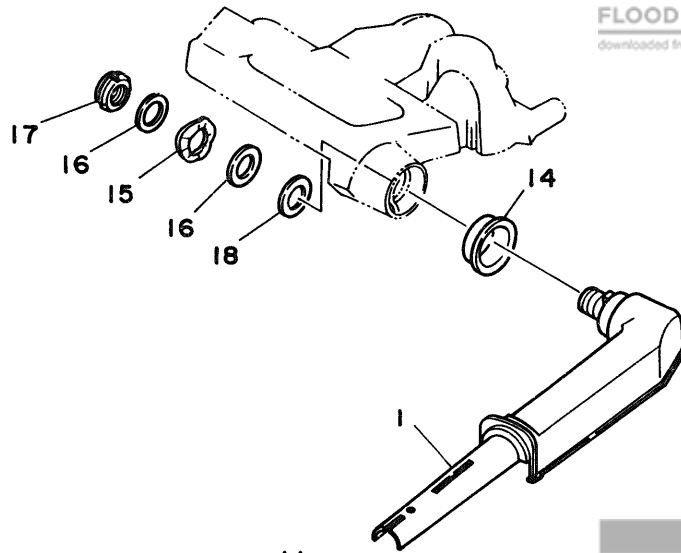
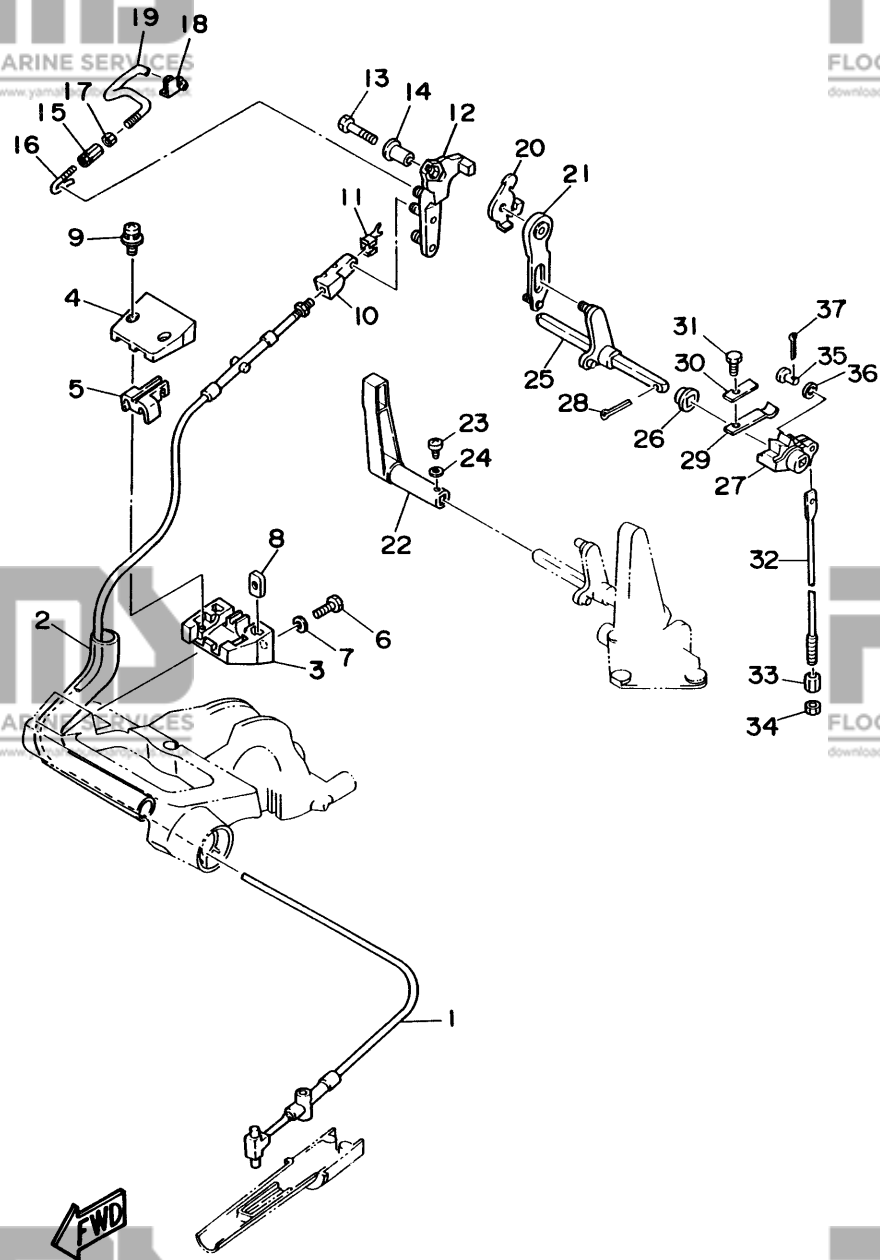


Fig. 16 CONTROL



Ref.No.	Parts No.	Description	Q'ty	Ref.No.	Parts No.	Description	Q'ty
1	6G9-48311-02	CABLE (F9.9B Model)	1 UR	20	6G8-14493-00	STAY 1 (F9.9B Model)	1 UR
	6J7-48311-02	CABLE (F8B Model)	1 UR		6J6-14493-00	STAY 1 (F8B Model)	1 UR
2	90445-24M00	HOSE	1	21	6G8-44111-00	HANDLE, gear shift	1
3	6G8-41661-00-98	BRACKET	1	22	6G9-44111-00-98	HANDLE, gear shift	1
4	6G8-41662-00-98	BRACKET	1	23	98503-04014	SCREW, pan head	1
5	6G8-41663-00	BRACKET 3	1	24	92990-04200	WASHER, plain	1
6	97395-06016	BOLT	2	25	6G8-44159-00	HANDLE, gear shift	1
7	92990-06600	WASHER, plate	2	26	682-44132-00	BUSHING	1
8	6G8-41654-00	NUT	2	27	6G8-44141-00	LINK, shift rod	1
9	90159-05M06	SCREW, with washer	2	28	91490-25020	PIN, cotter	1
10	6G8-26363-00	END, cable	1	29	682-44116-00	SPRING	1
11	6G8-26364-00	END, cable 2	1	30	682-44117-00	BRACKET	1
12	6G8-41212-00	ARM, accel.	1	31	97013-06012	BOLT	1
13	97313-06030	BOLT	1	32	6G9-44143-00	ROD, shift (Short)	1 UR
14	90387-06M58	COLLAR	1		6G8-44143-10	ROD, shift (Long)	1 UR
15	6G8-41238-01	JOINT, link	1	33	90170-06015	NUT	1
16	6G8-41241-01	ROD, link	1	34	95380-06700	NUT	1
17	95303-04600	NUT	1	35	91790-05020	PIN, clevis	1
18	6G8-41237-01	JOINT, link	1	36	92990-05600	WASHER, plate	1
19	6G8-41242-01	ROD 2	1	37	91490-16010	PIN, cotter	1

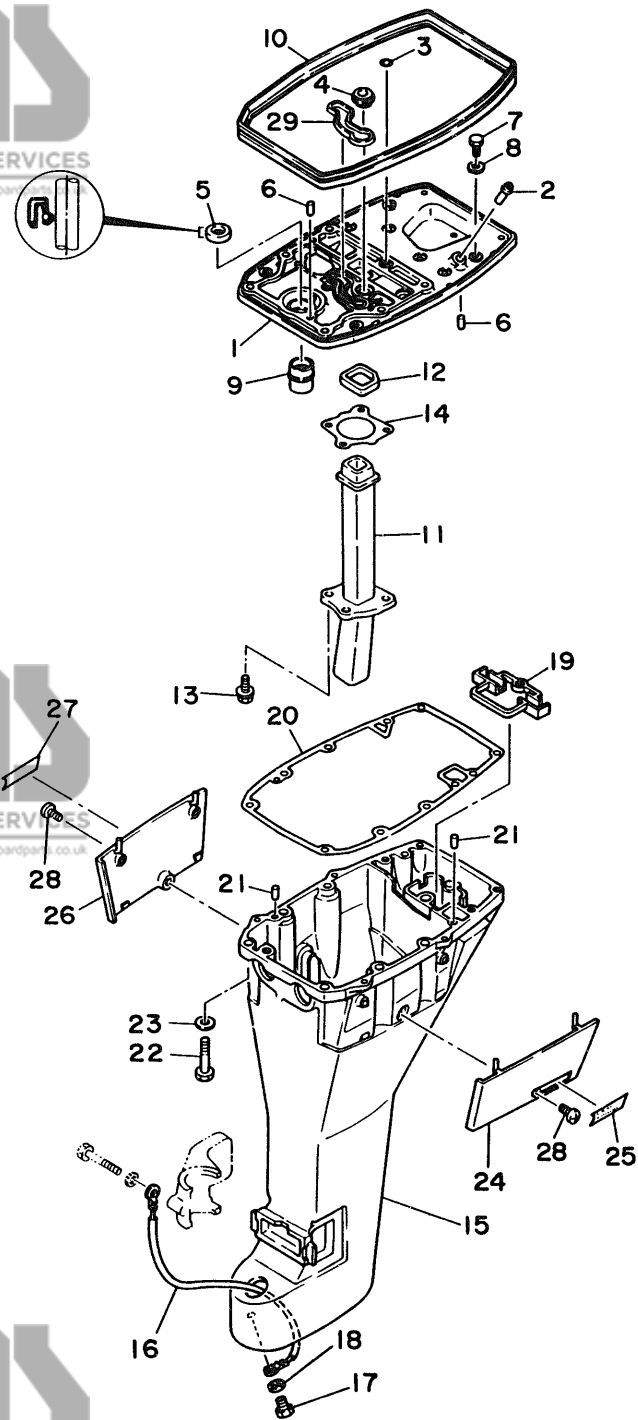
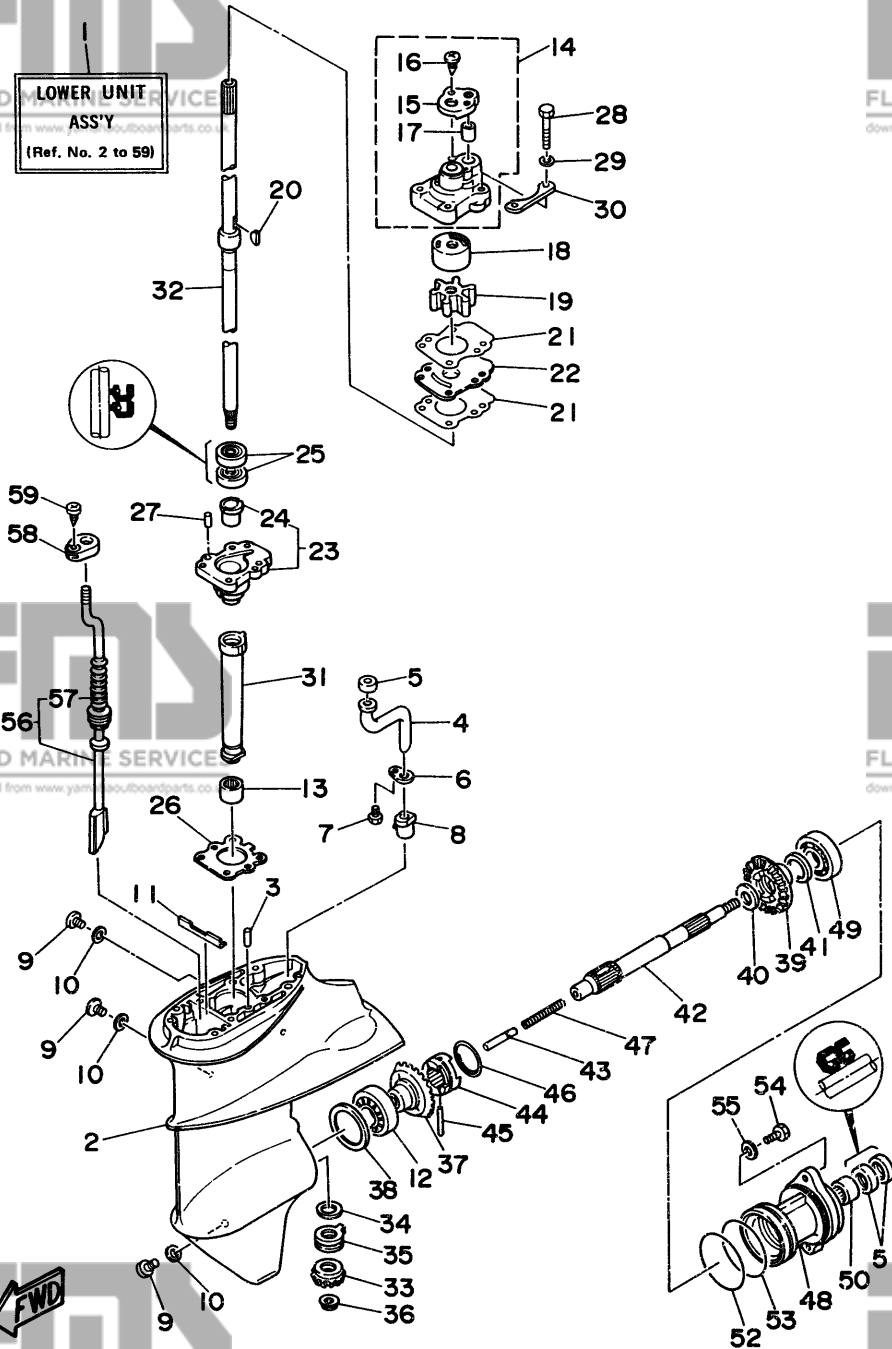


Fig. 17 UPPER CASING

Ref.No.	Parts No.	Description	Q'ty	Ref.No.	Parts No.	Description	Q'ty
1	6G8-41137-03-94	GUIDE, exhaust	1	15	6G8-45111-12-EJ	CASING, upper (Long)	1 UR
2	6E5-24377-00	PIPE, joint 3	1	16	6G8-82149-00	WIRE, lead 3	1
3	93210-08M60	O-RING	1	17	97395-06012	BOLT	1
4	6G8-44367-00	DAMPER, water seal	1	18	92990-06600	WASHER, plate	1
5	93101-13M27	OIL SEAL	1	19	6G8-45151-00	COVER, upper casing	1
6	93606-12019	PIN, dowel	2	20	6G8-45113-A0	GASKET, upper casing	1
7	97313-06020	BOLT	2	21	93606-12019	PIN, dowel	2
8	92990-06600	WASHER, plate	2	22	97395-08040	BOLT	6
9	6G8-45135-00	PIPE	1	23	92990-08600	WASHER, plate	6
10	6G8-42716-00	RUBBER, seal 1	1	24	6G8-42741-00-EJ	APRON	1
11	6G8-41131-01	MANIFOLD, ext. 1	1	25	6G8-42791-00	MARK 1	1
12	6G8-41138-00	SEAL, ext. 1	1	26	6G8-42771-00-EJ	APRON	1
13	90105-06M33	BOLT, washer based	4	27	6G8-42792-00	MARK	1
14	6G8-41133-A0	GASKET, exhaust manifold 1	1	28	90157-06M04	SCREW, pan head	2
15	6G8-45111-02-EJ	CASING, upper (Short)	1 UR	29	6G8-11355-00	SEAL, cylinder 1	1

Fig. 18 LOWER CASING. DRIVE 1



Ref.No.	Parts No.	Description	Q'ty	Ref.No.	Parts No.	Description	Q'ty
1	6G9-45300-05-EJ	LOWER UNIT ASSY (Short)	1 UR	34	6E8-45587-00-20	SHIM (T:1.20MM)	1 UR
	6G9-45300-15-EJ	LOWER UNIT ASSY (Long)	1 UR	35	93341-414V1	BEARING	1
2	6E8-45311-00-EJ	CASING, lower	1	36	90179-08M06	NUT	1
3	93604-08062	PIN, dowel	1	37	6E7-45560-00	GEAR	1
4	683-44362-01	TUBE, water	1	38	664-45567-01-10	SHIM (T:0.10MM)	1 UR
5	683-44365-01	DAMPER, water seal	1		664-45567-01-12	SHIM (T:0.12MM)	1 UR
6	683-44373-00	SET PLATE, water tube	1		664-45567-01-15	SHIM (T:0.15MM)	1 UR
7	97395-06010	BOLT	1		664-45567-01-18	SHIM (T:0.18MM)	1 UR
8	6E7-44366-00	DAMPER, water seal	1		664-45567-01-30	SHIM (T:0.30MM)	1 UR
9	90340-08M04	PLUG, straight screw	3		664-45567-01-40	SHIM (T:0.40MM)	1 UR
10	90430-08020	GASKET	3		664-45567-01-50	SHIM (T:0.50MM)	1 UR
11	682-45376-01	GUIDE, seal damper	1	39	6E7-45571-00	GEAR	1
12	93332-00005	BEARING	1	40	90201-17682	WASHER, plate	1
13	93315-314V8	BEARING, cylindrical	1	41	626-45577-00-01	SHIM (0.1T)	1 UR
14	682-44300-01	HOUSING WATER PUMP ASSY	1		626-45577-00-03	SHIM (0.3T)	1 UR
15	682-44312-00	.COVER, water pump housing	1		626-45577-00-05	SHIM (0.5T)	1 UR
16	97780-40112	.SCREW, tapping	2	42	683-45611-00	SHAFT, propeller	1
17	682-44365-00	.DAMPER, water seal	1	43	650-45635-00	PLUNGER, shift	1
18	682-44322-00	INSERT, cartridge	1	44	682-45631-00	CLUTCH, dog	1
19	682-44352-01	IMPELLER	1	45	90250-05010	PIN, straight	1
20	90280-03024	KEY, woodruff	1	46	648-45633-00	RING, cross pin	1
21	682-44315-A0	GASKET, water pump	2	47	90501-14M06	SPRING, compression	1
22	682-44323-00	OUTER PLATE, cartridge	1	48	683-45361-01-EJ	CAP, lower casing	1
23	6E7-45331-00-5B	HOUSING, bearing	1	49	93306-00501	BEARING (B6005)	1
24	626-45316-09	.BUSHING, drive shaft	1	50	93315-317U2	BEARING, cylindrical	1
25	93101-20048	OIL SEAL	2	51	93101-17054	OIL SEAL	2
26	683-45315-A0	PACKING, lower casing	1	52	93210-57M09	O-RING	1
27	93606-12019	PIN, dowel	2	53	93210-56M80	O-RING	1
28	97395-06040	BOLT	4	54	97395-06020	BOLT	2
29	92990-06600	WASHER, plate	4	55	92990-06600	WASHER, plate	2
30	682-44328-00	PLATE	2	56	669-44150-00	SHIFT CAM ASSY (Short)	1 UR
31	6E7-45536-00	SLEEVE, drive shaft	1		669-44150-10	SHIFT CAM ASSY (Long)	1 UR
32	669-45501-00	DRIVE SHAFT COMP. (Short)	1 UR	57	682-44147-00	.BOOT, shift rod	1
	669-45501-10	DRIVE SHAFT COMP. (Long)	1 UR	58	682-44176-00	BRACKET	1
33	6E7-45551-00	PINION	1	59	97780-50110	SCREW, tapping	1
34	6E8-45587-00-13	SHIM (T:1.13MM)	1 UR				

Fig. 19 LOWER CASING. DRIVE 2

Ref.No.	Parts No.	Description	Q'ty	Ref.No.	Parts No.	Description	Q'ty
1	93606-12019	PIN, dowel	2	14	683-45949-00-EL	PROPELLER (3X9-1/2"X6-1/2"-J)	1 UR
2	97090-08035	BOLT	4		683-45947-00-EL	PROPELLER (3X9-1/4"X8"-J)	1 UR
3	92990-08600	WASHER, plate	4		683-45945-00-EL	PROPELLER (3X9-1/4"X9"-J)	1 UR
4	6E8-45251-01	ANODE	1		683-45952-00-EL	PROPELLER (3X9-1/4"X9-3/4"-J)	1 UR
5	97395-06020	BOLT	1		683-45943-00-EL	PROPELLER (3X9-1/4"X10-1/2"-J)	1 UR
6	92990-06600	WASHER, plate	1		683-45941-00-EL	PROPELLER (3X9-1/4"X12"-J)	1 UR
7	6E7-45214-00	COVER, water inlet	1			DUAL THRUST PROPELLER	
8	98520-05012	SCREW, pan head	1	15	683-W4591-02-EL	PROPELLER (3X9-3/4"X8"-J)	1 UR
9	682-45375-01	DAMPER, seal	1		683-W4592-02-EL	PROPELLER (3X9-3/4"X6-1/2"-J)	1 UR
10	6G9-44361-00	TUBE, water (Short)	1 UR	16	6E7-45986-00	.RING, deflector	1
	6G8-44361-10	TUBE, water (Long)	1 UR	17	90171-10M07	.NUT, castle	1
11	626-44365-01	DAMPER, water seal	1	18	90201-10M02	.WASHER, plate	1
12	90171-10M01	NUT, castle	1	19	669-45987-00	SPACER	1
13	91490-30020	PIN, cotter	1 UR	20	90201-10M01	WASHER, plate	1
	91490-30030	PIN, cotter (For Dual Thrust Prop.)	1 UR	21	93450-10M05	CIRCLIP	1

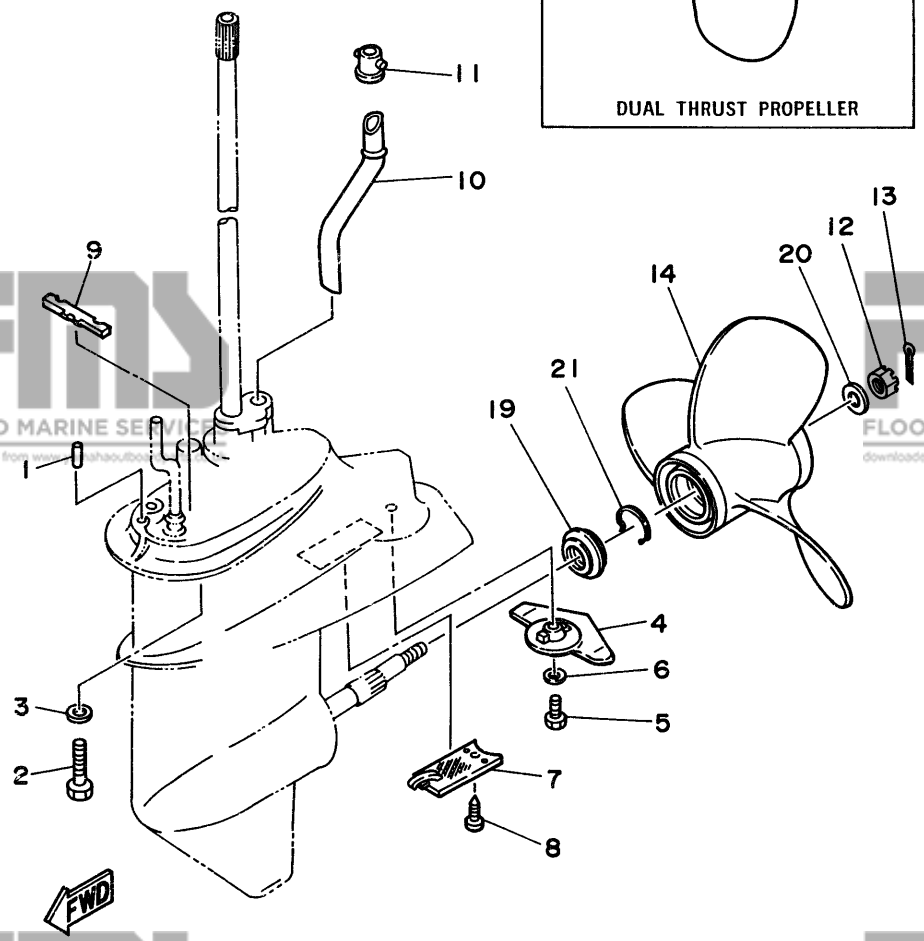
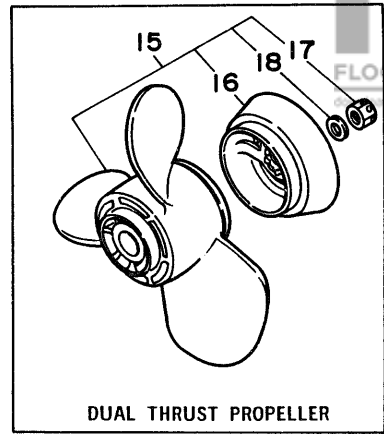


Fig. 20 GENERATOR

Ref.No.	Parts No.	Description	Q'ty	Ref.No.	Parts No.	Description	Q'ty
1	668-85550-11	ROTOR ASSY	1	12	92990-06600	WASHER, plate	1
2	669-85510-01	STATOR ASSY	1	13	99510-08012	PIN, dowel	2
3	668-85561-00-94	BASE, magneto	1	14	668-81337-00	COVER, flywheel	1
4	95023-06025	ROLT	3	15	668-42752-00	SHAFT	1
5	668-85580-02	COIL, pulser	1	16	668-81323-00	SCREW 1	1
6	98580-05012	SCREW, pan head	2	17	90480-15M31	GROMMET	1
7	92990-05100	WASHER, spring	2	18	90387-06M71	COLLAR	2
8	92990-05600	WASHER, plate	2	19	90280-16053	KEY, woodruff	1
9	92580-06025	SCREW, pan head	2	20	90170-12066	NUT	1
10	92990-06600	WASHER, plate	2	21	90201-12472	WASHER, plate	1
11	98580-06020	SCREW, pan head	1				

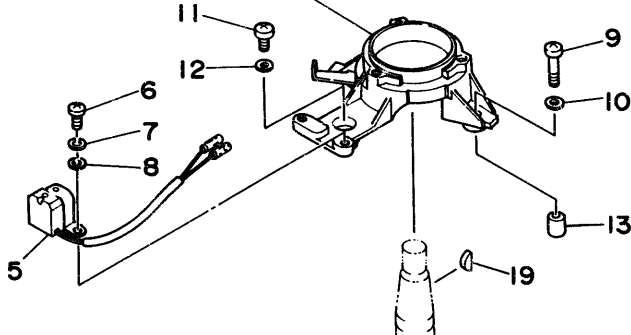
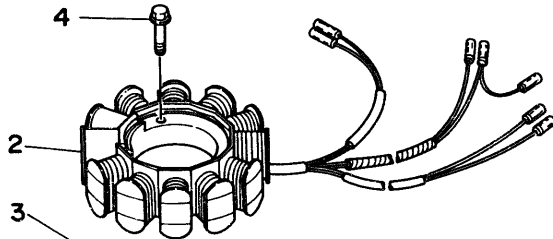
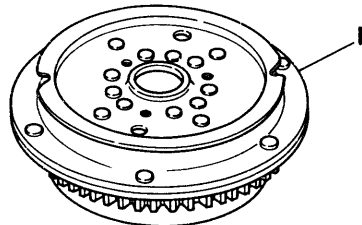
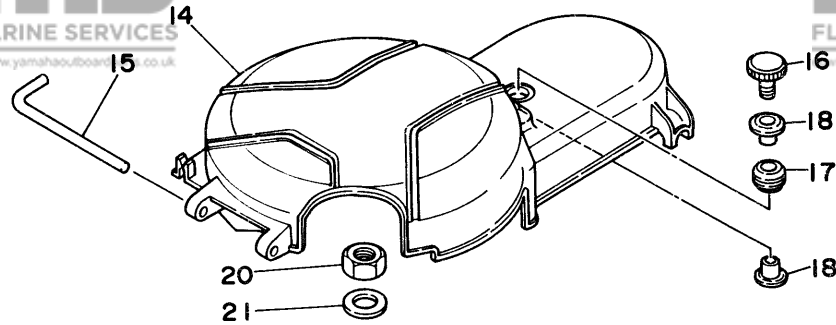
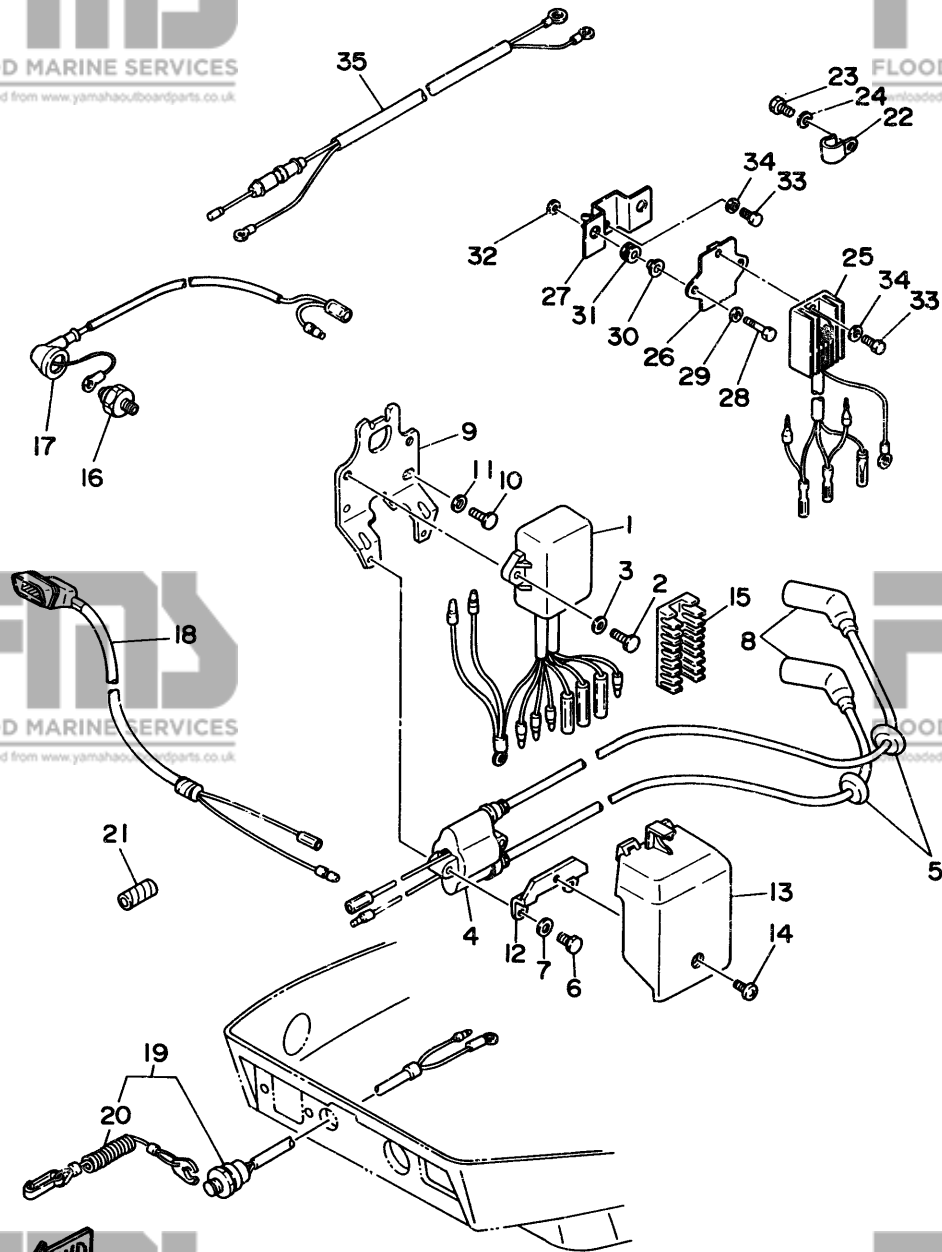


Fig. 21 ELECTRIC PARTS

Ref.No.	Parts No.	Description	Qty	Ref.No.	Parts No.	Description	Qty
1	6G9-85540-21	C.D.I. UNIT ASSY	1	19	6G9-82575-00	ENGINE STOP SWITCH ASSY	1
2	97395-06020	BOLT	2	20	682-82556-00	.STOPPER	1
3	92990-06600	WASHER, plate	2	21	90446-10M02	HOSE	1
4	6G8-85570-21	IGNITION COIL ASSY	1	22	90465-08028	CLAP	1
5	90480-25161	GROMMET	2	23	97013-06012	BOLT	1
6	97395-06025	BOLT	2	24	92990-06600	WASHER, plate	1
7	92990-06600	WASHER, plate	2	25	6J8-81960-00	RECTIFIER & REGULATOR ASSY	1
8	6G8-82370-20	PLUG CAP ASSY	2	26	6G9-81948-00	BRACKET	1
9	6G8-85542-00	BRACKET	1	27	6G8-81948-02	BRACKET	1
10	97395-06020	BOLT	2	28	97395-06025	BOLT	2
11	92990-06600	WASHER, plate	2	29	92990-06600	WASHER	2
12	6G8-85525-00	PLATE	1	30	90387-06M70	COLLAR	2
13	6G8-81916-00	COVER, terminal	1	31	90480-13M24	GROMMET	2
14	98980-06008	SCREW, bind	1	32	95303-06700	NUT	2
15	6G8-82522-00	CLAMP, coupler	1	33	97313-06016	BOLT	2
16	6G8-82504-00	OIL PRESSURE SWITCH ASSY	1	34	92990-06600	WASHER, plate	2
17	6G8-82127-00	WIRE, lead 2	1	35	6J8-82105-10	WIRE, harness	1 AP
18	6G8-83582-01	PILOT LIGHT ASSY	1				



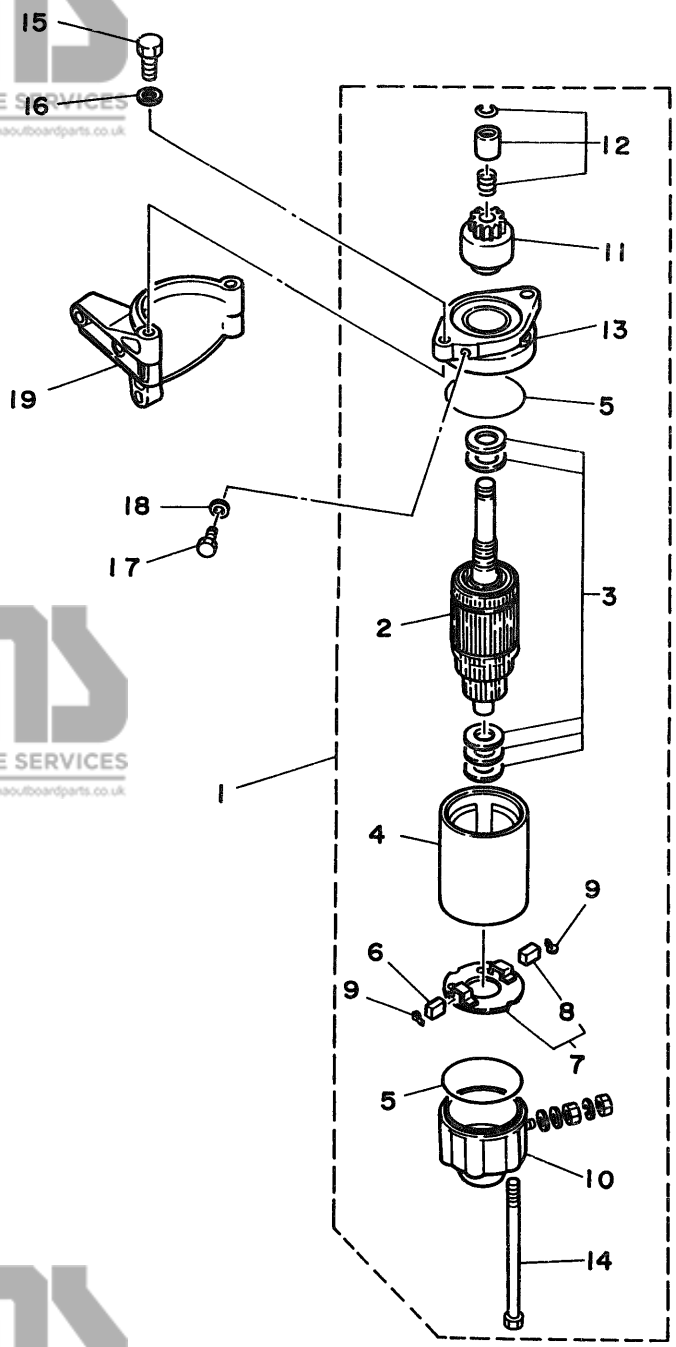


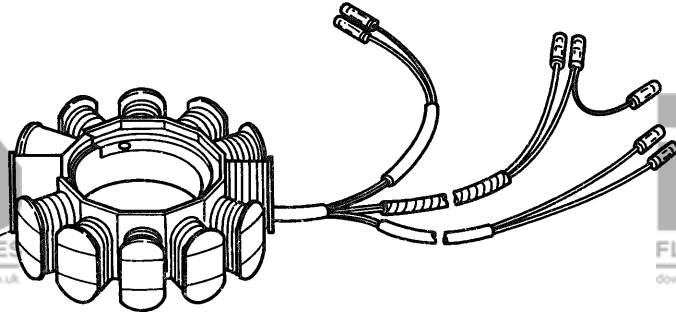
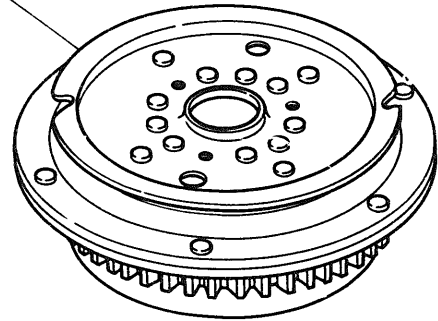
Fig. 22 ELECTRIC MOTOR (F88EM/F88E/F9.9BEM/F9.9BE MODEL)

Ref.No.	Parts No.	Description	Q'ty	Ref.No.	Parts No.	Description	Q'ty
1	668-81800-11	STARTING MOTOR ASSY	1	11	689-81807-12	.GEAR ASSY, starting motor	1
2	689-81850-12	.ARMATURE ASSY	1	12	689-81857-11	.RETAINER	1
3	689-81809-11	.WASHER KIT	1	13	6F5-81830-11	.FRONT BRACKET ASSY	1
4	689-81810-11	.STATOR ASSY	1	14	689-81826-10	.BOLT	2
5	689-81847-11	.O-RING	2	15	97013-08025	BOLT	2
6	689-81811-11	.BRUSH 1	1	16	92990-08600	WASHER, plate	2
7	689-81840-11	.BRUSH HOLDER ASSY	1	17	97395-08016	BOLT	1
8	689-81812-11	..BRUSH 2	1	18	92990-08600	WASHER, plate	1
9	689-81813-10	.SPRING, brush	2	19	668-81822-40-94	BRACKET, starting motor	1
10	689-81820-11	.REAR BRACKET ASSY	1				

D3

Fig. 23 GENERATOR (F8BEM/F8BE/F9.9BEM/F9.9BE MODEL)

Ref.No.	Parts No.	Description	Q'ty	Ref.No.	Parts No.	Description	Q'ty
1	668-85550-01	ROTOR ASSY	1	2	669-85510-01	STATER ASSY	1



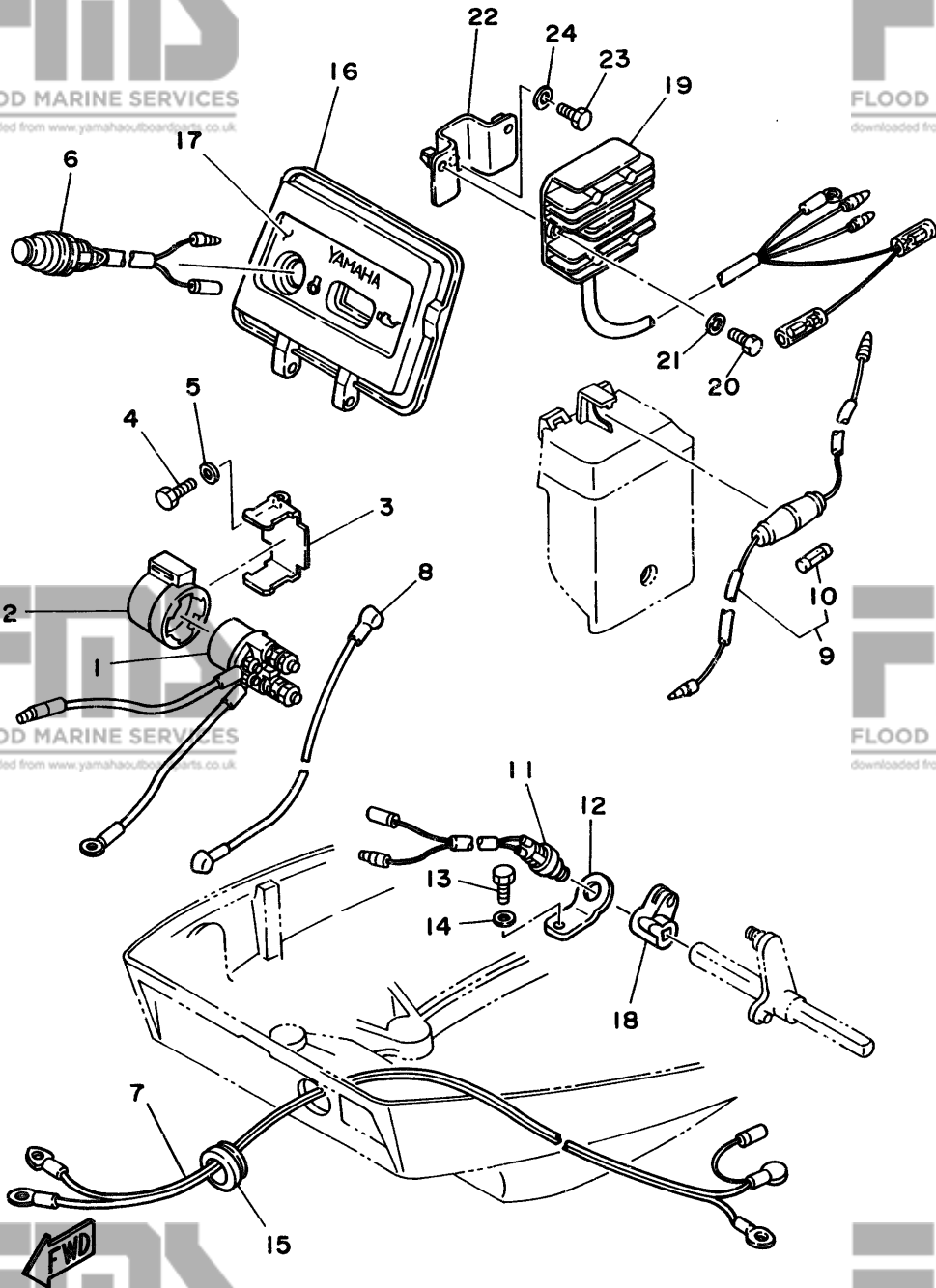
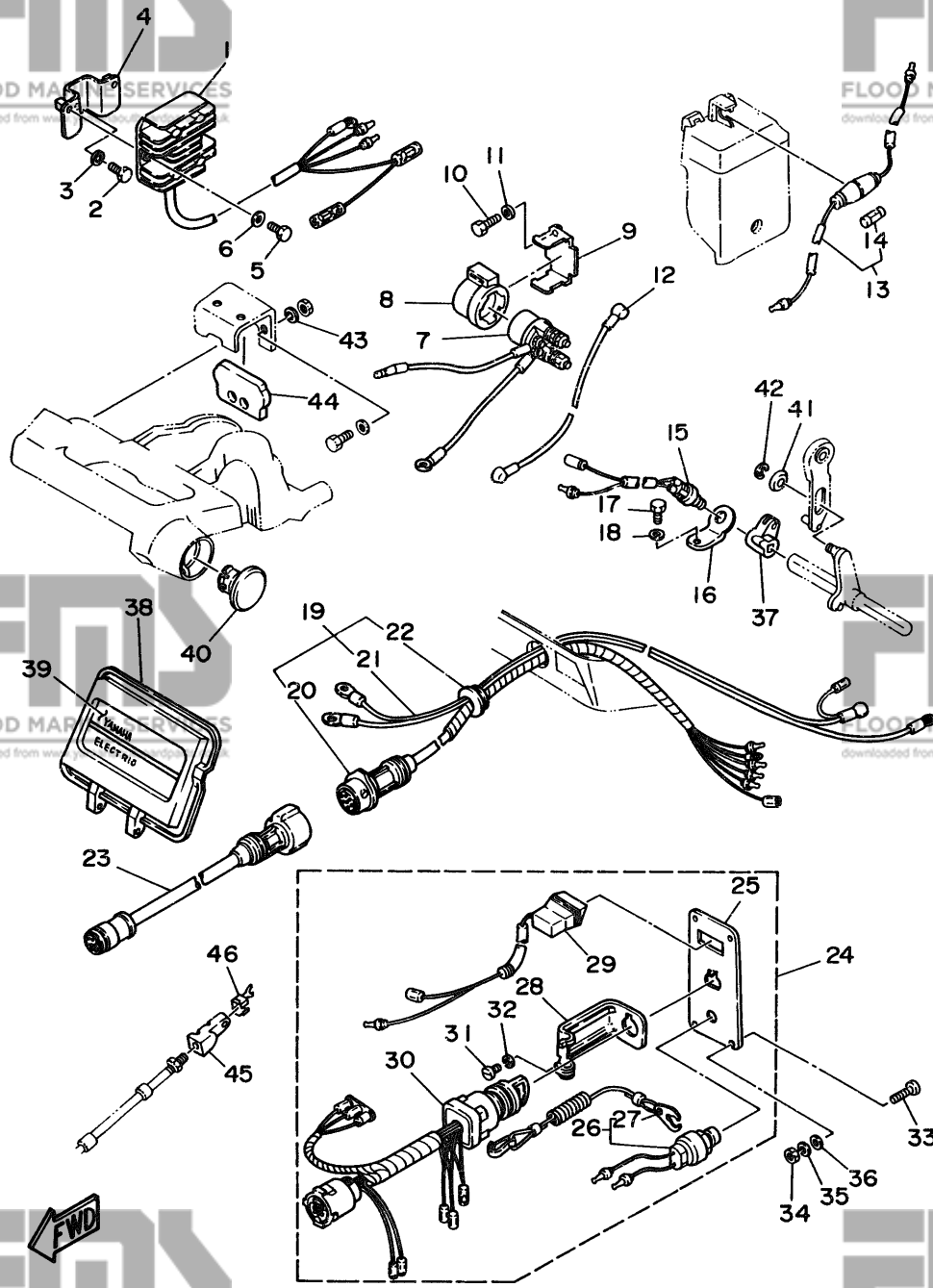


Fig. 24 ELECTRIC PARTS 1 (F88EM/F9.9BEM MODEL)

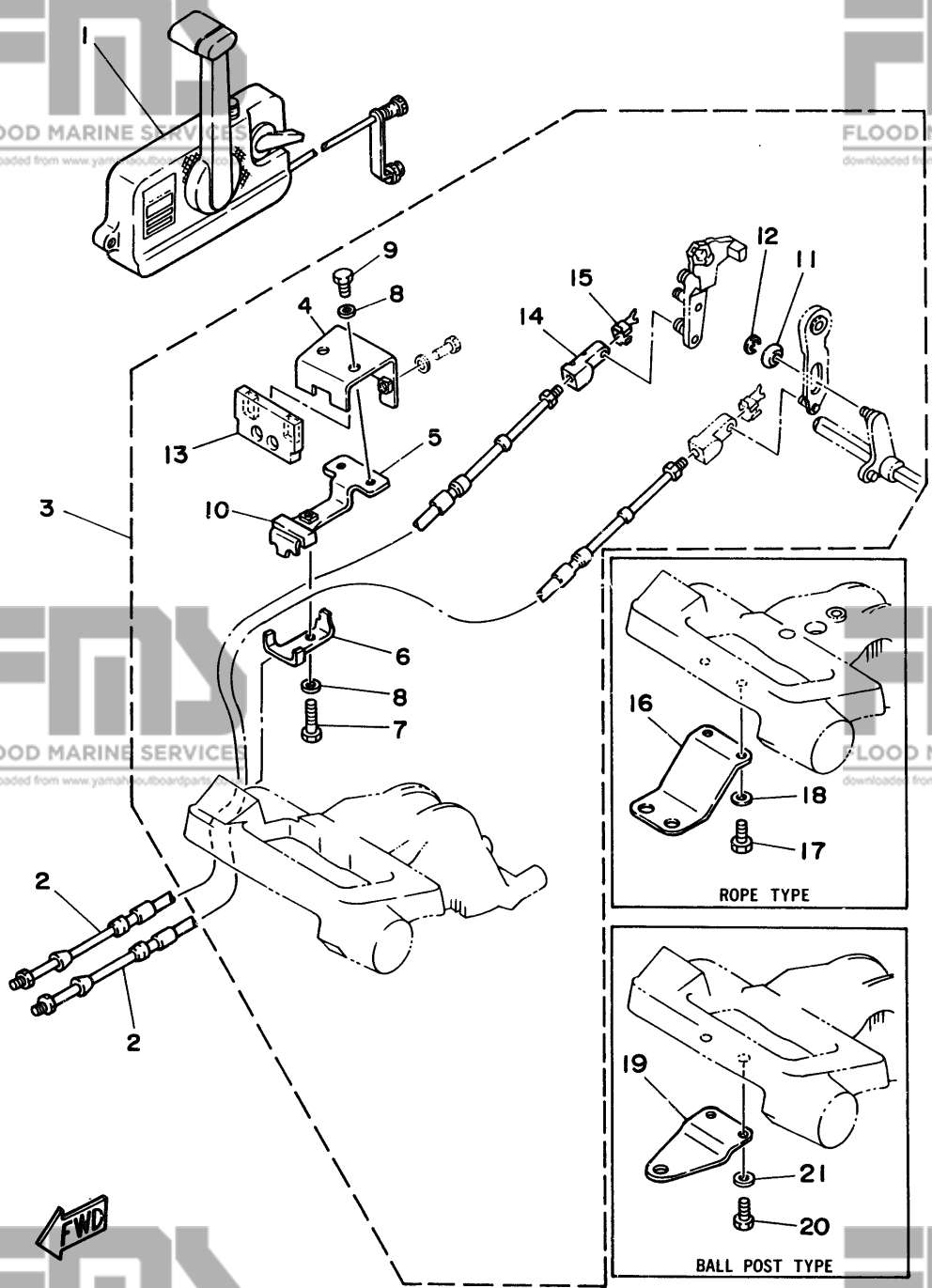
Ref.No.	Parts No.	Description	Q'ty	Ref.No.	Parts No.	Description	Q'ty
1	6J0-81941-10	STARTER RELAY ASSY	1	13	97013-06012	BOLT	1
2	6G1-81952-00	HOLDER, relay	1	14	92990-06600	WASHER, plate	1
3	6G8-81953-00	STAY, relay	1	15	6G8-42724-40	GROMMET	1
4	97013-06012	BOLT	1	16	6G8-W4261-10	PANEL, front upper	1
5	92990-06600	WASHER, plate	1	17	6G8-42677-10	GRAPHIC, front	1
6	6G8-81870-00	STARTING SWITCH ASSY	1	18	6G8-44125-00	LEVER, shift rod	1
7	6G8-82105-00	WIRE HARNESS	1	19	6G8-81960-A1	RECTIFIER & REGULATOR ASSY	1
8	6G8-82117-00	WIRE, lead	1	20	97313-06016	BOLT	2
9	6G8-82150-00	FUSE HOLDER ASSY	1	21	92990-06600	WASHER, plate	2
10	682-82151-00	FUSE (12V-20A)	1	22	6G8-81948-02	BRACKET	1
11	6H3-82540-00	NEUTRAL SWITCH ASSY	1	23	97313-06016	BOLT	1
12	6G8-82554-00	STAY, neutral switch	1	24	92990-06600	WASHER, plate	1

Fig. 25 ELECTRIC PARTS 2 (F88E/F9.98E MODEL)

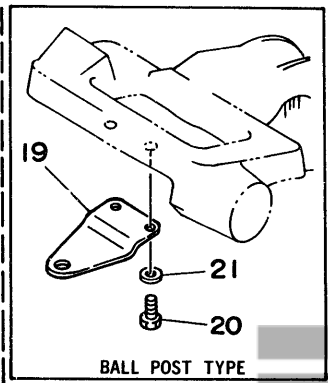
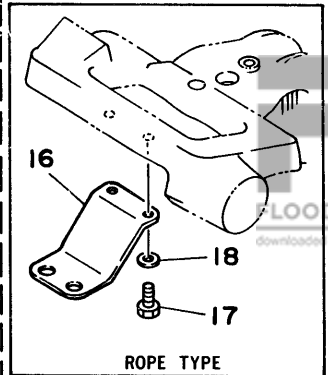


Ref.No.	Parts No.	Description	Q'ty	Ref.No.	Parts No.	Description	Q'ty
1	6G8-81960-A1	RECTIFIER & REGULATOR ASSY	1	24	6G8-82570-02	PANEL SWITCH ASSY	1
2	97313-06016	BOLT	2	25	6G8-82571-01	.PANEL, switch	1
3	92990-06600	WASHER, plate	2	26	688-82575-01	.ENGINE STOP SWITCH ASSY	1
4	6G8-81948-02	BRACKET	1	27	682-82556-00	..STOPPER	1
5	97313-06016	BOLT	1	28	663-82581-01	.STAY, cord clamp	1
6	92990-06600	WASHER, plate	1	29	6G8-83582-01	.PILOT LIGHT ASSY	1
7	6J0-81941-10	STARTER RELAY ASSY	1	30	6G8-82510-00	.MAIN SWITCH ASSY	1
8	6G1-81952-00	HOLDER, relay	1	31	98980-04008	.SCREW, bind	1
9	6G8-81953-00	STAY, relay	1	32	92903-04100	.WASHER, spring	1
10	97013-06012	BOLT	1	33	90149-05M05	SCREW	4
11	92990-06600	WASHER, plate	1	34	95303-05600	NUT	4
12	6G8-82117-00	WIRE, lead	1	35	92990-05100	WASHER, spring	4
13	6G8-82150-00	FUSE HOLDER ASSY	1	36	92990-05600	WASHER, plate	4
14	682-82151-00	.FUSE (12V-20A)	1	37	6G8-44125-00	LEVER, shift rod	1
15	6H3-82540-00	NEUTRAL SWITCH ASSY	1	38	6G8-W4261-10	PANEL, front upper	1
16	6G8-82554-00	STAY, neutral switch	1	39	6G8-42677-20	GRAPHIC, front	1
17	97013-06012	BOLT	1	40	6G8-42551-00	GROMMET	1
18	92990-06600	WASHER, plate	1	41	90387-06M73	COLLAR	1
19	6G8-82580-00	WIRE HARNESS ASSY 2	1	42	93430-04M03	CIRCLIP	1
20	6G8-82590-00	.WIRE HARNESS ASSY	1	43	92990-06600	WASHER, plate	2
21	6G8-82105-00	.WIRE HARNESS	1	44	6G8-48351-51	SEAL, rubber	1
22	6G8-42724-50	.GROMMET	1	45	6G8-26363-00	END, cable	1
23	688-82586-50	EXTENSION, wireharness (L:5m) (7P)	1	46	6G8-26364-00	END, cable 2	1

Fig. 26 REMOTE CONTROL



Ref.No.	Parts No.	Description	Q'ty	Ref.No.	Parts No.	Description	Q'ty
1	701-48101-11	REMOTE CONTROL ASSY (See Fig. 27)	1	3	668-48501-03	REMOTE CONT. ATTACHMENT ASSY	1
2	701-48310-10	CABLE, remote control (L:6F)	2 UR	4	668-48531-51	.BRACKET, remote control 1	1
	701-48310-20	CABLE, remote control (L:7F)	2 UR	5	668-48532-50	.BRACKET, remote control 2	1
	701-48310-40	CABLE, remote control (L:8F)	2 UR	6	668-48538-50	.CLAMP, cable 1	1
	701-48310-60	CABLE, remote control (L:9F)	2 UR	7	97395-06030	.BOLT	1
	701-48310-80	CABLE, remote control (L:10F)	2 UR	8	92990-06600	.WASHER, plate	3
	701-48310-90	CABLE, remote control (L:11F)	2 UR	9	97395-06012	.BOLT	2
	701-48320-00	CABLE, remote control (L:12F)	2 UR	10	668-48565-50	.GROMMET	1
	701-48320-20	CABLE, remote control (L:13F)	2 UR	11	90387-06M73	.COLLAR	1
	701-48320-30	CABLE, remote control (L:14F)	2 UR	12	93430-04M03	.CIRCLIP	1
	701-48320-50	CABLE, remote control (L:15F)	2 UR	13	668-48351-51	.SEAL, rubber	1
	701-48320-60	CABLE, remote control (L:16F)	2 UR	14	668-26363-00	.END, cable	1
	701-48320-80	CABLE, remote control (L:17F)	2 UR	15	668-26364-00	.END, cable 2	1
	701-48320-90	CABLE, remote control (L:18F)	2 UR	16	668-48511-00	HOOK, steering (Rope Type)	1 AP
	701-48320-40	CABLE, remote control (L:19F)	2 UR	17	97395-06016	BOLT	2
	701-48320-70	CABLE, remote control (L:20F)	2 UR	18	92990-06600	WASHER, plate	2
	701-48350-00	CABLE, remote control (L:21F)	2 UR	19	668-48511-10	HOOK, steering (Ball Post Type)	1 AP
	701-48350-10	CABLE, remote control (L:22F)	2 UR	20	97395-06016	BOLT	2
	701-48350-20	CABLE, remote control (L:23F)	2 UR	21	92990-06600	WASHER, plate	2



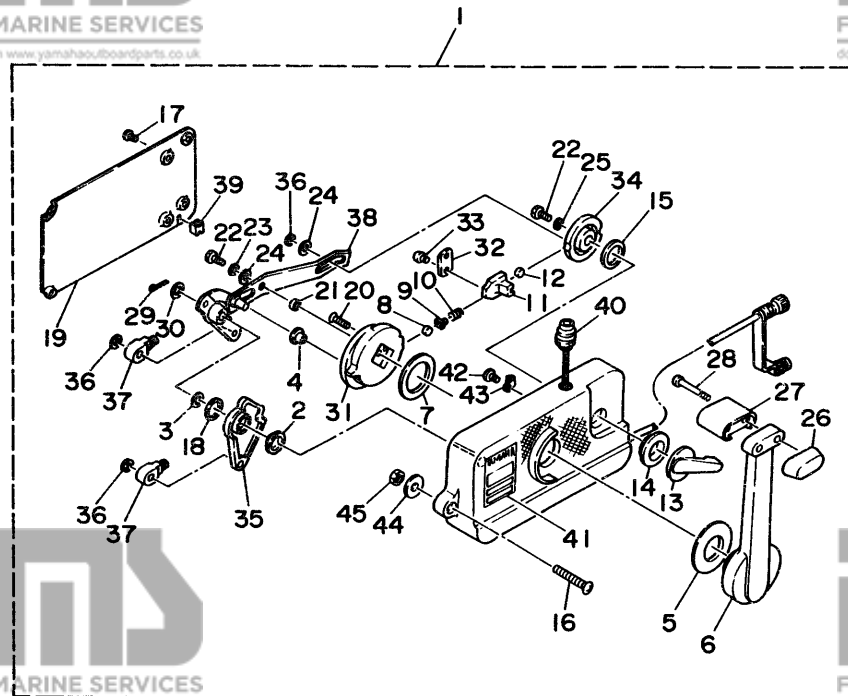
D7

FMS
FLOOD MARINE SERVICES
downloaded from www.yamahaoutboardparts.co.uk

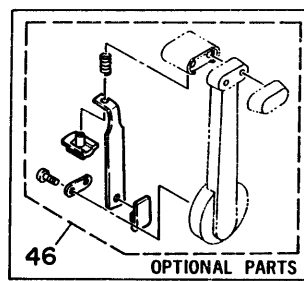
FMS
FLOOD MARINE SERVICES
downloaded from www.yamahaoutboardparts.co.uk

FMS
FLOOD MARINE SERVICES
downloaded from www.yamahaoutboardparts.co.uk

Fig. 27 REMOTE CONTROL ASSY



Ref.No.	Parts No.	Description	Q'ty	Ref.No.	Parts No.	Description	Q'ty
1	701-48101-11	REMOTE CONTROL ASSY	1	24	701-48246-00	.SPACER	2
2	701-48235-00	.BUSHING	1	25	92990-06300	.WASHER, internal tooth	1
3	701-48197-10	.WASHER, wave	1	26	701-48229-00	.GRIP, control lever	1
4	701-48252-00	.ROLLER, cam	1	27	701-48222-00	.GRIP, control lever	1
5	701-48234-00	.BUSHING 1	1	28	98580-05555	.SCREW	2
6	701-48221-00	.LEVER, control	1	29	701-48239-00	.SET PIN, plate	1
7	701-48196-11	.WASHER, wave	1	30	701-48266-00	.SPACER	1
8	701-48236-00	.ROLLER, detent	1	31	701-48232-00	.GEAR	1
9	702-48237-00	.ADAPTOR	1	32	701-48189-11	.RETAINER	1
10	702-48238-00	.SPRING, detent	1	33	98580-05010	.SCREW, pan head	2
11	701-48249-00	.ADAPTOR, spring	1	34	701-48153-12	.SHAFT, free accel.	1
12	701-48248-00	.ROLLER, free accel.	1	35	701-48271-00	.ARM, shift	1
13	701-48152-11	.KNOB, free accel.	1	36	93430-06024	.CIRCLIP	3
14	701-48243-00	.BUSHING	1	37	703-48345-01	.CABLE END, remote control 2	2
15	701-48198-10	.WASHER, wave	1	38	701-48261-00	.ARM, throttle	1
16	701-48281-10	.SCREW	3	39	701-48358-00	.ANCHOR, cable	1
17	98580-05010	.SCREW, pan head	4	40	701-82550-50	ENGINE STOP SWITCH ASSY	1
18	701-48268-00	.SPACER	1	41	701-48126-00	.GRAPHIC	1
19	701-48213-00	.PLATE	1	42	701-48283-00	.SCREW	1
20	92780-06025	.SCREW, flat head	2	43	701-82594-00	.CLAMP	1
21	701-48255-00	.COLLAR	1	44	701-48287-00	.WASHER	3
22	97395-06018	.BOLT	2	45	95380-06600	.NUT	3
23	702-48288-00	.WASHER, plain	1	46	701-48280-00	NEUTRAL LOCK KIT	1 AP



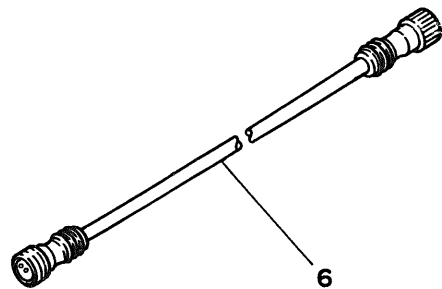
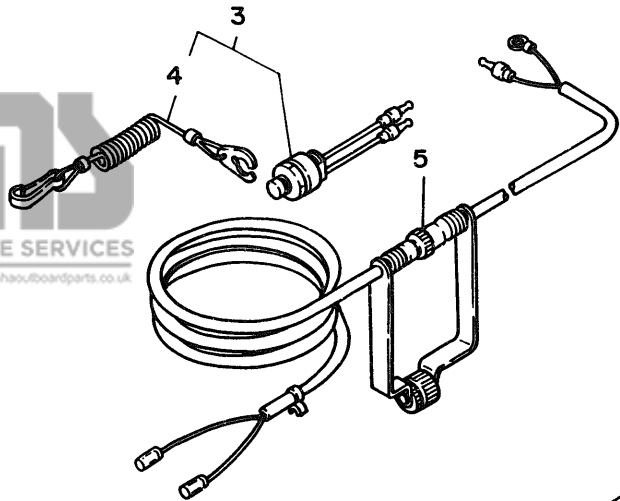
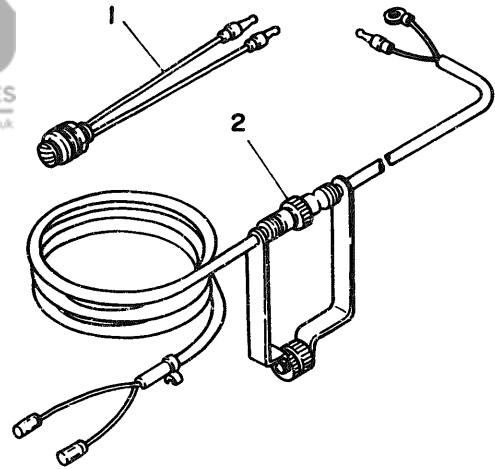
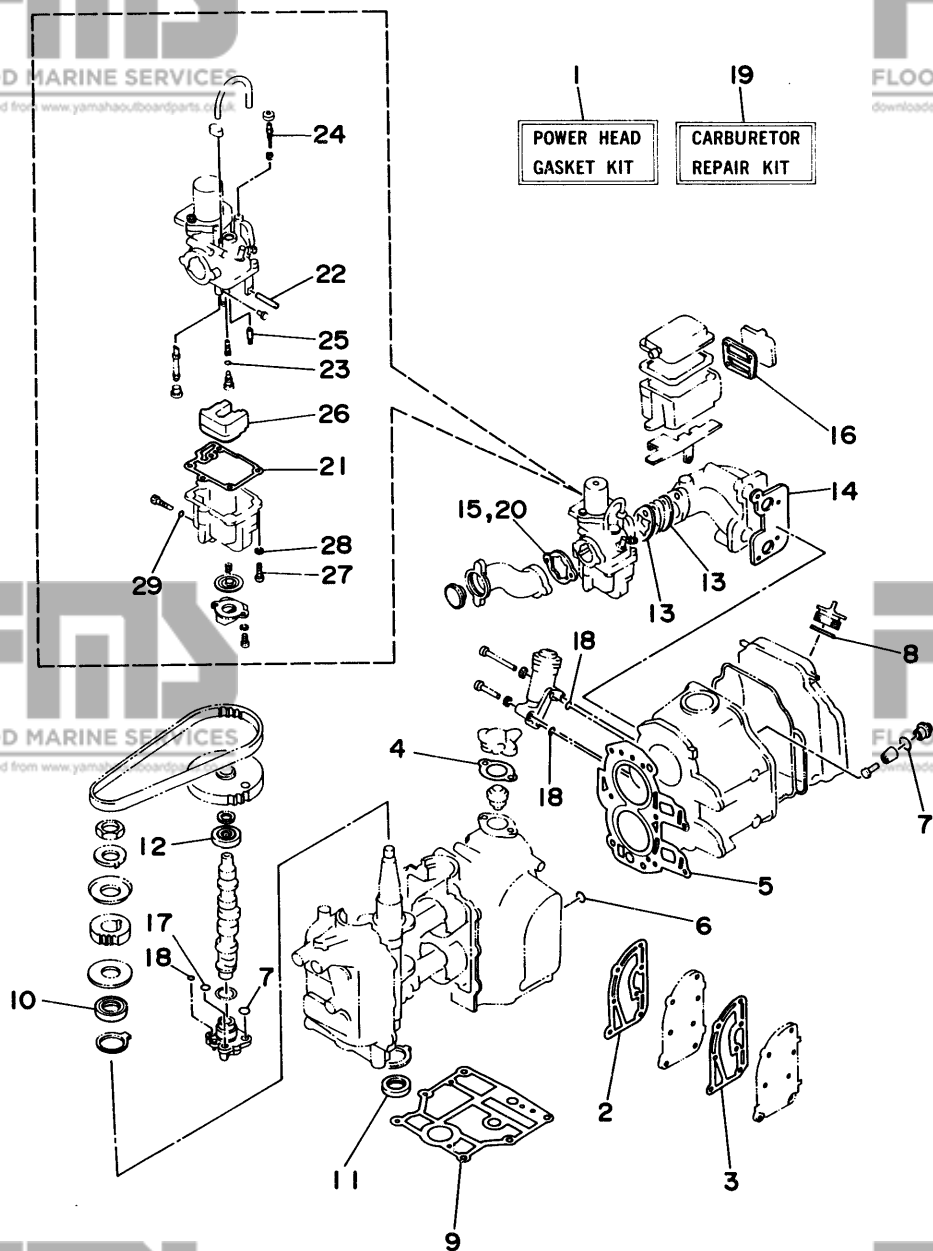


Fig. 28 OPTIONAL PARTS

Ref.No.	Parts No.	Description	Q'ty	Ref.No.	Parts No.	Description	Q'ty
1	689-82550-11	ENGINE STOP SWITCH ASSY (5m)	1	4	682-82556-00	.STOPPER	1
2	6A0-P2553-20	EXTENSION, wire lead	1	5	6A0-82553-20	EXTENSION, wire lead	1
3	689-82575-12	ENGINE STOP SWITCH ASSY (5m)	1	6	689-82553-10	EXTENSION, wire lead	1

Fig. 29 REPAIR KIT 1

Ref.No.	Parts No.	Description	Q'ty	Ref.No.	Parts No.	Description	Q'ty
1	6G8-W001-03	POWER HEAD GASKET KIT	1	16	6G8-15374-00	.GASKET, breather	1
2	6G8-41112-02	.GASKET, exhaust inner cover	1	17	93210-10M61	.O-RING	1
3	6G8-41114-00	.GASKET, exhaust outer cover	1	18	93210-09M01	.O-RING	3
4	6G8-12414-A0	.GASKET, cover	1	19	6G8-W0093-01	CARBURETOR REPAIR KIT	1
5	6G8-11181-A0	.GASKET, cylinder head 1	1	20	6G8-14198-A0	.GASKET	1
6	93210-11M59	.O-RING	1	21	6G8-14384-01	.GASKET, float chamber	1
7	93210-13M63	.O-RING	3	22	647-14386-10	.PIN, float	1
8	93210-25070	.O-RING	1	23	654-14198-00	.GASKET	1
9	6G8-11351-A0	.GASKET, cylinder	1	24	6G8-14323-00	.SCREW, air adjusting	1
10	93102-30M22	.OIL SEAL	1	25	6G8-14392-00	.VALVE, needle	1
11	93101-25M24	.OIL SEAL	1	26	6G8-14385-00	.FLOAT	1
12	93102-18M21	.OIL SEAL	1	27	98503-04014	.SCREW, pan head	1
13	6G8-13646-A0	.GASKET, manifold 2	2	28	92990-04100	.WASHER, spring	1
14	6G8-13645-00	.GASKET, manifold 1	1	29	5Y1-14397-00	.O-RING	1
15	6G8-14198-A0	.GASKET	1				



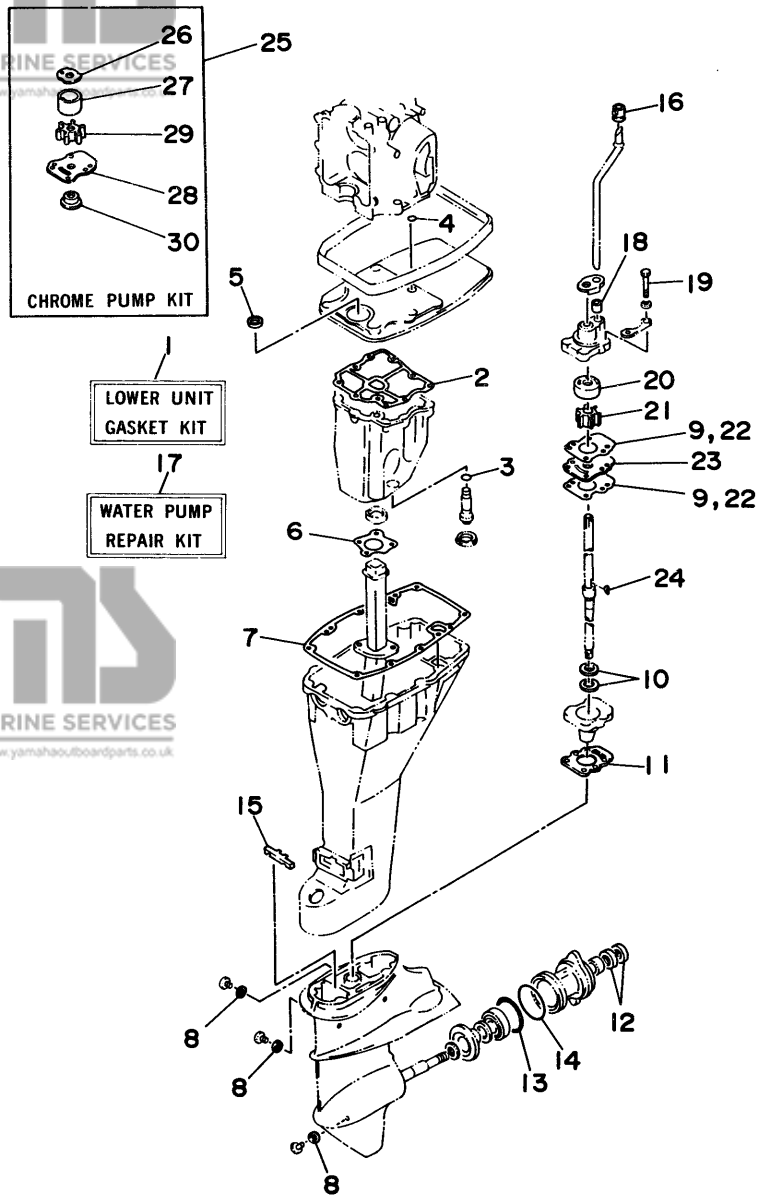


Fig. 30 REPAIR KIT 2

Ref.No.	Parts No.	Description	Q'ty	Ref.No.	Parts No.	Description	Q'ty
1	669-W0001-24	LOWER UNIT GASKET KIT	1	16	626-44365-01	.DAMPER, water seal	1
2	668-15312-A1	.GASKET, oil pan	1	17	682-W0078-01	WATER PUMP REPAIR KIT	1
3	93210-16M54	.O-RING	1	18	682-44365-00	.DAMPER, water seal	1
4	93210-08M60	.O-RING	1	19	97395-06040	.BOLT	4
5	93101-13M27	.OIL SEAL	1	20	682-44322-00	.INSERT, cartridge	1
6	668-41133-A0	.GASKET, exhaust manifold 1	1	21	682-44352-01	.IMPELLER	1
7	668-45113-A0	.GASKET, upper casing	1	22	682-44315-A0	.GASKET, water pump	2
8	90430-08020	.GASKET	3	23	682-44323-00	.GUTER PLATE, cartridge	1
9	682-44315-A0	.GASKET, water pump	2	24	90280-03024	.KEY, woodruff	1
10	93101-20048	.OIL SEAL	2	25	682-W0078-0A	CHROME PUMP KIT	1
11	683-45315-A0	.PACKING, lower casing	1	26	682-44321-40	.INNER PLATE, cartridge	1
12	93101-17054	.OIL SEAL	2	27	682-44322-40	.INSERT, cartridge	1
13	93210-57M09	.O-RING	1	28	682-44323-40	.OUTER PLATE, cartridge	1
14	93210-56M80	.O-RING	1	29	682-44352-01	.IMPELLER	1
15	682-45375-01	.DAMPER, seal	1	30	682-45344-00	.COVER, oil seal	1



NUMERICAL INDEX

PART NO.	REF. NO.	PART NO.	REF. NO.	PART NO.	REF. NO.	PART NO.	REF. NO.	PART NO.	REF. NO.	PART NO.	REF. NO.
6G8-W0001-03	29- 1	6G8-11654-00	2- 6	6G8-14229-00	5-41	6G8-15311-02-0D	7- 7	6Y1-24246-00	10- 2	6G9-42112-01-EJ	15- 2
6G9-W0001-24	30- 1	6G8-12111-00	3- 1	6G8-14275-00	5-31	6G8-15312-A1	7- 8	646-24251-02	9- 6	6G8-42119-00	15-10
6G9-W0070-22	11- 9	6G8-12113-00	3- 4	6G8-14275-01	5-31		30- 2	6Y1-24256-80	10- 9	6G8-42126-01-94	15- 4
682-W0078-0A	30-25	6G8-12116-00	3- 3	6G8-14286-01	5-42	6G8-15316-00	7-13	6Y1-24257-00	10- 3	6G8-42137-01	15-11
682-W0078-01	30-17	6G8-12117-00	3- 5	6G8-14293-02	5-36	6G8-15346-00	4-23	6Y1-24268-00	10- 6	6J6-42137-00	15-11
6G9-W0084-81-EJ	15-19	6G8-12117-10	3- 7	6G8-14293-03	5-36	6G8-15347-00	4-24	6Y4-24275-80	10- 5	6G8-42177-00	15-13
6J7-W0084-81-EJ	15-19	30X-12118-00	3- 6	6G9-14301-03	5- 1	6G8-15358-00	4-17	6G1-24304-02	9- 1	6G9-42511-01-EJ	13-29
6G8-W0090-30-EJ	1- 1	51Y-12119-00	3- 9	6G9-14301-04	5- 1	6G8-15362-04	7-17	6G1-24305-00	10-11	6G8-42521-10-94	13-34
6G8-W0093-01	29-19	6G8-12121-01	3- 2	6G9-14301-05	5- 1	6G8-15363-00	1-46	6Y4-24306-80	10-10	6G9-42521-00-94	13-34
6Y4-W2420-80-24	10- 1	6G8-12146-00	3-13	6J6-14301-04	5- 1	6G8-15368-00-94	4-19	6G8-24311-00	9- 5	6G8-42528-00	13-24
676-W2810-00	10-18	6G8-12151-00	3-10	6J6-14301-06	5- 1	6G8-15369-00	4-20	6G8-24329-00	9- 2	6G8-42534-00	13-30
6G8-W4261-00	12-28	6G8-12153-00	3- 8	6G8-14323-00	5-13	6G8-15371-00-94	4-22	6Y1-24329-00	10- 8	6G8-42537-00	13-36
6G8-W4261-10	24-16	6G8-12158-00	3-12		29-24	6G8-15373-00	1-37	650-24351-51	10-13	6G8-42551-00	25-40
	25-38	6G8-12159-00	3-11	647-14334-00	5-11	6G8-15374-00	4-27		10-17	6G9-42610-23-EJ	11- 1
683-W4591-02-EL	19-15	6G8-12171-00	6-11	6G8-14341-10	5- 9		29-16	6Y1-24360-51	10-15	6J7-42610-23-EJ	11- 1
683-W4592-02-EL	19-15	6G8-12411-02	1-15	6G8-14341-20	5- 9	6G8-15376-00	4-33	6E5-24377-00	1-17	6G8-42613-00-EJ	11- 6
6G8-11111-02-94	1-22	6G8-12412-00-9M	1-16	6G8-14342-25	5- 5	6G8-15379-00	7- 3		17- 2	6G8-42615-00	11- 2
6G8-11133-10	1-23	6G8-12414-A0	1-18	6G8-14342-24	5- 5	6G8-15393-00	4-30	6G8-24410-02	9- 9	6G8-42628-01	11-11
6G8-11181-A0	1-33		29- 4	648-14343-42	5- 8	6G8-15710-10	8- 1	6G8-24411-02	9-11	6G8-42629-01	12-30
	29- 5	6G8-12481-00	1-27	648-14343-43	5- 8	6G8-15711-00	8- 2	6G8-24421-00	9-10	6G8-42651-00	11- 3
6G8-11191-01-94	1-35	6G8-12482-00	12- 9	6A4-14344-24	5-26	6G8-15712-00	8-30	6Y1-24610-12	10- 4	6G8-42652-00	11- 4
6G8-11197-00	1-44	6G8-13300-02	6-13	6A4-14344-25	5-26	6G8-15713-00	8- 4	6G8-26363-00	16-10	6G8-42677-00	12-29
6G8-11325-00	1-42	6G8-13421-00	7-12	6A4-14344-30	5-26	6G8-15714-00	8- 3		25-45	6G8-42677-10	24-17
6G8-11351-A0	1- 6	6G8-13440-00	6-21	6G8-14345-00	5- 7	6G8-15715-00	8- 7		26-14	6G8-42677-20	25-39
	29- 9	6G8-13442-00-94	6-20	6G8-14357-00	5-43	6G8-15716-00	8-27	6G8-26364-00	16-11	6G9-42678-22	11-10
6G8-11355-00	17-29	6G8-13471-00	7-15	6G8-14368-01	5-30	6G8-15719-00	8- 5		25-46	6J7-42678-22	11-10
6G8-11356-00	1-39	6G8-13487-00	7- 4	6G8-14379-00	5-39	6G8-15723-00	8- 6		26-15	6G8-42711-01-EJ	12- 1
6G8-11372-01	1-26	6G8-13641-01-94	4- 6	6G8-14381-01	5- 3	6G8-15726-00	8-21	6G8-41111-02-9M	1- 7	6G8-42716-00	17-10
676-11372-00	1-25	6G8-13645-00	4- 7	6G8-14381-02	5- 3	6G8-15727-00	8- 9	6G8-41112-02	1- 8	6G8-42719-00-EJ	12-23
	1-38		29-14	6G8-14383-00	5-28	6G8-15734-00	8-25		29- 2	6G8-42724-00	12- 7
6G8-11411-04	2- 1	6G8-13646-A0	4- 1	6G8-14384-01	5- 2	6G8-15739-00	8-17	6G8-41113-01-9M	1-10	6G8-42724-40	24-15
6G8-11416-00	2- 4		29-13		29-21	6G8-15742-00	8-33	6G8-41114-00	1- 9	6G8-42724-50	25-22
6G8-11416-10	2- 4	6G8-13647-00	4- 5	6G8-14385-00	5-15	6G8-15746-00	8-23		29- 3	6G9-42724-00	12- 7
6G8-11416-20	2- 4	6G8-1410A-00	5-24		29-26	6G8-15747-00	8-26	6G8-41131-01	17-11	6G8-42727-00	12-10
6G8-11426-00	2- 8	6G8-1410A-01	5-24	647-14386-10	5- 4	6F5-15752-00	8-12	6G8-41133-A0	17-14	6G8-42738-00-94	12-22
6G8-11536-00-94	6- 2	389-14137-00	5-44		29-22	663-15753-00	8-13		30- 6	6G8-42741-00-EJ	17-24
6G8-11537-00-94	6- 6	1HV-14147-00	5-19	6G8-14389-00	5-34	6G8-15754-00	8- 8	6G8-41137-03-94	17- 1	6G8-42748-00	12-19
6G8-11557-00	6- 3	6G8-14197-01	5-16	6G8-14392-00	5-14	6G1-15755-00	8-34	6G8-41138-00	17-12	6G8-42752-00	20-15
6G8-11575-00	7- 1	6G8-14198-A0	29-15		29-25	6G8-15767-00	8-24	6G8-41212-00	16-12	6G8-42755-00	12-31
6G8-11587-00	6- 5		29-20	5Y1-14397-00	5-27	6G8-15768-00	8-10	6G8-41237-01	16-18	6G8-42771-00-EJ	17-26
6G8-11610-02	2-10	6G8-14198-00	4-14		29-29	6G8-15770-00	8-38	6G8-41238-01	16-15	6G8-42791-00	17-25
6G8-11610-12	2-10	646-14198-01	5-33	6G8-14478-00	4-13	6G8-15771-00	8-39	6G8-41241-01	16-16	6G8-42792-00	17-27
6G8-11610-22	2-10	654-14198-00	5- 6	6G8-14479-01-94	4-12	6G8-15772-00	8-42	6G8-41242-01	16-19	6G8-42811-00-94	12-13
6G8-11631-03-96	2- 9		29-23	6G8-14493-00	16-20	6G8-15779-00	8-31	6G8-41654-00	16- 8	6G8-42815-00	12-11
634-11633-00	2-11	646-14212-01	5-21	6J6-14493-00	16-20	689-15779-01	8-35	6G8-41661-00-98	16- 3	6G8-42831-00	12-12
6G8-11635-03	2- 9	6G8-14216-00	5-10	6G8-14827-00	5-25	6G8-15789-00	8-32	6G8-41662-00-98	16- 4	6G8-43111-03-EJ	13- 1
6G8-11636-03	2- 9	6G8-14217-00	5-35	6G8-14997-00	5-12	663-15791-00	8-14	6G8-41663-00	16- 5	6G8-43112-04-EJ	13- 2
6G8-11650-03	2- 5	6G8-14217-01	5-35	6G8-15100-05-94	1- 2	6G8-15794-00	8-22	6G9-42111-02-EJ	15- 1	6J8-43113-01	13-20

NUMERICAL INDEX

PART NO.	REF. NO.	PART NO.	REF. NO.	PART NO.	REF. NO.	PART NO.	REF. NO.	PART NO.	REF. NO.	PART NO.	REF. NO.
648-43114-01	13- 6	682-44322-00	30-20	6E7-45331-00-5B	18-23	701-48222-00	27-27	6G8-48501-03	26- 3	6G8-82150-00	25-13
6E7-43116-00	13- 5	682-44322-40	30-27	682-45344-00	30-30	701-48229-00	27-26	6G8-48511-00	26-16	682-82151-00	24-10
616-43118-00-EJ	13- 3	682-44323-00	18-22	683-45361-01-EJ	18-48	701-48232-00	27-31	6G8-48511-10	26-19		25-14
6G8-43131-00	13-14		30-23	682-45375-01	19- 9	701-48234-00	27- 5	6G8-48531-51	26- 4	6G8-82370-20	21- 8
6G5-43145-00	13-19	682-44323-40	30-28		30-15	701-48235-00	27- 2	6G8-48532-50	26- 5	6G8-82504-00	21-16
6G8-43160-01	14- 5	682-44328-00	18-30	682-45376-01	18-11	701-48236-00	27- 8	6G8-48538-50	26- 6	6G8-82510-00	25-30
6G8-43181-00	13- 7	682-44352-01	18-19	6G9-45501-00	18-32	702-48237-00	27- 9	6G8-48565-50	26-10	6G8-82522-00	21-15
6G8-43311-14-EJ	13-21		30-21	6G9-45501-10	18-32	702-48238-00	27-10	6G8-81323-00	20-16	6H3-82540-00	24-11
6G9-43311-03-EJ	13-21		30-29	6E7-45536-00	18-31	701-48239-00	27-29	6G8-81336-00	1-36		25-15
682-43318-01	13- 8	6G8-44361-10	19-10	6E7-45551-00	18-33	701-48243-00	27-14	6G8-81337-00	20-14	689-82550-11	28- 1
	14-24	6G9-44361-00	19-10	6E7-45560-00	18-37	701-48246-00	27-24	6G8-81800-11	22- 1	701-82550-50	27-40
682-43339-01	13-13	683-44362-01	18- 4	664-45567-01-10	18-38	701-48248-00	27-12	689-81807-12	22-11	6A0-82553-20	28- 2
6G8-43373-00	13-27	626-44365-01	19-11	664-45567-01-12	18-38	701-48249-00	27-11	689-81809-11	22- 3		28- 5
682-43611-01	14-16		30-16	664-45567-01-15	18-38	701-48252-00	27- 4	689-81810-11	22- 4	689-82553-10	28- 6
682-43614-00	14-14	682-44365-00	18-17	664-45567-01-18	18-38	701-48255-00	27-21	689-81811-11	22- 6	6G8-82554-00	24-12
682-43615-01	14-15		30-18	664-45567-01-30	18-38	701-48261-00	27-38	689-81812-11	22- 8		25-16
6G8-43616-00	14- 9	683-44365-01	18- 5	664-45567-01-40	18-38	701-48266-00	27-30	689-81813-10	22- 9	682-82556-00	21-20
6G8-43617-00	14-13	6E7-44366-00	18- 8	664-45567-01-50	18-38	701-48268-00	27-18	689-81820-11	22-10		25-27
6G8-43631-02	14- 6	6G8-44367-00	17- 4	6E7-45571-00	18-39	701-48271-00	27-35	6G8-81822-40-94	22-19		28- 4
682-43641-00	14-10	683-44373-00	18- 6	626-45577-00-01	18-41	701-48280-00	27-46	689-81826-10	22-14	6G8-82570-02	25-24
6G9-43643-00	14-23	6G8-44391-00	12- 8	626-45577-00-03	18-41	701-48281-10	27-16	6F5-81830-11	22-13	6G8-82571-01	25-25
682-43659-00	14-19	6G8-44517-00-94	13-40	664-45577-00-05	18-41	701-48283-00	27-42	689-81840-11	22- 7	6G9-82575-00	21-19
682-43673-00	14-18	6G8-44518-00	13-50	6E8-45587-00-13	18-34	701-48287-00	27-44	689-81847-11	22- 5	688-82575-01	25-26
6G9-43681-00	14-22	6G8-44521-00	13-53	6E8-45587-00-20	18-34	702-48288-00	27-23	689-81850-12	22- 2	689-82575-12	28- 3
6G8-44111-00	16-21	6G8-44522-00	13-48	683-45611-00	18-42	701-48310-10	26- 2	689-81857-11	22-12	6G8-82580-00	25-19
6G9-44111-00-98	16-22	6G8-44526-00	13-41	682-45631-00	18-44	701-48310-20	26- 2	6G8-81870-00	24- 6	6G3-82581-01	25-28
682-44116-00	16-29	6G8-44532-00	13-54	648-45633-00	18-46	701-48310-40	26- 2	6G8-81916-00	21-13	688-82586-50	25-23
682-44117-00	16-30	6G8-44533-00	13-51	650-45635-00	18-43	701-48310-60	26- 2	6J0-81941-10	24- 1	6G8-82590-00	25-20
6G8-44125-00	8-43	6G8-44551-01-EJ	13-55	683-45941-00-EL	19-14	701-48310-80	26- 2		25- 7	701-82594-00	27-43
	24-18	6G8-44552-02-EJ	13-56	683-45943-00-EL	19-14	701-48310-90	26- 2	6G8-81948-02	21-27	6G8-83582-01	21-18
	25-37	682-44555-00	13-63	683-45945-00-EL	19-14	6G9-48311-02	16- 1		24-22		25-29
682-44132-00	16-26	6G8-44557-00	13-62	683-45947-00-EL	19-14	6J7-48311-02	16- 1		25- 4	682-84381-00	12-33
6G8-44141-00	16-27	6G8-45111-12-EJ	17-15	683-45949-00-EL	19-14	701-48320-00	26- 2	6G9-81948-00	21-26	6G9-85510-01	20- 2
6G8-44143-10	16-32	6G9-45111-02-EJ	17-15	683-45952-00-EL	19-14	701-48320-20	26- 2	6G1-81952-00	24- 2		23- 2
6G9-44143-00	16-32	6G8-45113-A0	17-20	6E7-45986-00	19-16	701-48320-30	26- 2		25- 8	6G8-85525-00	21-12
682-44147-00	18-57		30- 7	6G9-45987-00	19-19	701-48320-40	26- 2	6G8-81953-00	24- 3	6G9-85540-21	21- 1
6G9-44150-00	18-56	663-45119-00	13-23	6G8-46241-00	6- 1	701-48320-50	26- 2		25- 9	6G8-85542-00	21- 9
6G9-44150-10	18-56	6G8-45127-00	7- 9	701-48101-11	26- 1	701-48320-60	26- 2	6G8-81960-A1	24-19	6G8-85550-01	23- 1
6G8-44159-00	16-25	6G8-45135-00	17- 9		27- 1	701-48320-70	26- 2		25- 1	6G8-85550-11	20- 1
682-44176-00	18-58	6G8-45151-00	17-19	701-48126-00	27-41	701-48320-80	26- 2	6J8-81960-00	21-25	6G8-85561-00-94	20- 3
6E0-44191-11	11-12	6E7-45214-00	19- 7	701-48152-11	27-13	701-48320-90	26- 2	6G8-82105-00	24- 7	6G8-85570-21	21- 4
682-44300-01	18-14	6E8-45251-01	19- 4	701-48153-12	27-34	703-48345-01	27-37		25-21	6G8-85580-02	20- 5
682-44312-00	18-15	6G9-45300-05-EJ	18- 1	701-48189-11	27-32	701-48350-00	26- 2	6J8-82105-10	21-35	90101-08M88	13-64
682-44315-A0	18-21	6G9-45300-15-EJ	18- 1	701-48196-11	27- 7	701-48350-10	26- 2	6G8-82117-00	24- 8	90105-06M33	7-14
	30- 9	6E8-45311-00-EJ	18- 2	701-48197-10	27- 3	701-48350-20	26- 2		25-12		17-13
	30-22	683-45315-A0	18-26	701-48198-10	27-15	6G8-48351-51	25-44	6G8-82127-00	21-17	90105-08M36	1-29
682-44321-40	30-26		30-11	701-48213-00	27-19		26-13	6G8-82149-00	17-16	90105-08M37	1-28
682-44322-00	18-18	626-45316-09	18-24	701-48221-00	27- 6	701-48358-00	27-39	6G8-82150-00	24- 9	90109-06M25	13- 9



FLOOD MARINE SERVICES
downloaded from www.yamahaoutboardparts.co.uk

PART NO.	REF. NO.
90116-06M15	4- 8
90116-06M26	4- 2
	5-29
90116-08M28	13-46
90119-06M12	1- 5
90119-08M18	1- 4
90149-05M05	25-33
90157-06M04	17-28
90159-05M06	16- 9
90159-06M05	4-18
90170-06015	16-33
90170-12066	20-20
90170-24M09	6- 4
90171-10M01	19-12
90171-10M07	19-17
90179-08M06	18-36
90185-20M03	15-17
90185-22043	13-18
90201-06M00	2- 7
90201-06M31	12- 5
	12-16
	13-26
	6-10
90201-06M94	15- 7
90201-08MA4	13-67
90201-08M12	13-47
90201-10M01	19-20
90201-10M02	19-18
90201-12472	20-21
90201-13201	6- 8
90201-17682	18-40
90201-20M00	15-16
90201-22428	13-17
90202-06007	15- 8
90202-20M33	15-18
90206-08M13	12-18
90206-10M15	13-12
90206-20M14	15-15
90209-45M09	13-35
90243-04M00	13- 4
90249-06M20	14-11
90250-05010	18-45
90266-04M04	11- 5
90269-02M09	15-12
90280-03M01	6- 7
90280-03024	18-20
	30-24
90280-16053	20-19

PART NO.	REF. NO.
90340-08M04	18- 9
90386-08M49	12-15
90386-20M94	14- 8
90386-22M92	13-15
90386-22M93	13-16
90386-33M56	15-14
90386-37M47	13-37
90386-37M48	13-39
90387-06M09	14- 1
90387-06M15	12- 5
90387-06M20	14-17
90387-06M58	16-14
90387-06M70	21-30
90387-06M71	20-18
90387-06M72	12-17
90387-06M73	25-41
	26-11
90387-13M56	3-14
90430-08020	18-10
	30- 8
90445-05ME6	12-25
90445-09065	4-32
	9- 7
90445-09225	9-19
90445-11M05	10-14
90445-11M06	10-16
90445-11M52	4-31
90445-11M66	1-21
90445-24M00	16- 2
90446-10M02	21-21
90460-38M06	13-49
90461-06M01	4-35
90465-08028	4-34
	4-36
	21-22
90467-08004	9- 8
	9-20
90480-09M35	12- 2
90480-13M24	21-31
90480-15M31	20-17
90480-19031	12-24
90480-25161	21- 5
90501-12M40	3-15
90501-12M41	3-16
90501-14M06	18-47
90501-18M00	13-25
90501-23M42	15- 5
90506-26M01	14-21

NUMERICAL INDEX

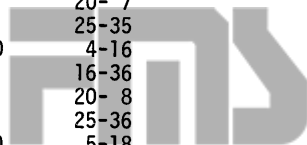
PART NO.	REF. NO.	PART NO.	REF. NO.
90506-26M07	14-21	92990-06600	13-11
90508-18M33	14- 7		13-33
90890-44373	8-18		13-43
91490-16010	12-32		13-58
	16-37		13-60
	8-29		14- 4
91490-16015	15-14		14-26
91490-25020	16-28		16- 7
91490-30020	19-13		17- 8
91490-30030	19-13		17-18
91790-05020	16-35		18-29
92580-06025	20- 9		18-55
92780-06025	27-20		19- 6
92901-05600	7- 6		20-10
92903-04100	25-32		20-12
92990-04100	5-23		21- 3
	5-38		21- 7
	29-28		21-11
92990-04200	4-26		21-24
	9-14		21-29
	16-24		21-34
92990-05100	8-20		24- 5
	20- 7		24-14
	25-35		24-21
92990-05600	4-16		24-24
	16-36		25- 3
	20- 8		25- 6
	25-36		25-11
92990-06100	5-18		25-18
	7-11		25-43
92990-06200	8-28		26- 8
	11- 8		26-18
92990-06300	27-25		26-21
92990-06600	1-12		8-37
	1-14	92990-08600	13-45
	1-20		13-65
	1-32		17-23
	1-41		19- 3
	4- 4		22-16
	4-10		22-18
	4-38		8-16
	6-19	92995-06100	9-16
	6-24		6-26
	6-26	93101-13M27	8-41
	8-41		9- 4
	9- 4	93101-17054	9-17
	9-17		12-21
	12-21	93101-20048	12-27
	12-27		30-10

PART NO.	REF. NO.
93101-25M24	2- 3
	29-11
93102-18M21	6-12
	29-12
93102-30M22	2- 2
	29-10
93210-08M60	17- 3
	30- 4
93210-08287	10-12
93210-09M01	6-16
	6-22
	29-18
93210-10M61	6-15
	29-17
93210-11M59	1-34
	29- 6
93210-12M62	7- 2
93210-13M63	1-45
	6-17
	29- 7
93210-16M64	7-16
	30- 3
93210-20M65	9-18
93210-24M79	1-47
93210-25070	29- 8
93210-27ME3	6-14
93210-37M67	13-38
93210-56M80	18-53
	30-14
93210-57M09	18-52
	30-13
	18-49
93306-00501	18-13
93315-314V8	18-50
93315-317U2	18-12
93332-00005	18-35
93341-414V1	25-42
93430-04M03	26-12
	27-36
93430-06024	1-24
93450-09M01	19-21
93450-10M05	2-12
93450-15023	18- 3
93604-08062	13-31
93605-15065	17- 6
93606-12019	17-21
	18-27
	19- 1

PART NO.	REF. NO.
93700-06M03	13-22
94701-00282	1-48
94701-00300	1-48
95023-06025	20- 4
95303-04600	16-17
95303-05600	25-34
95303-06700	21-32
95303-08700	8-11
95380-06600	27-45
95380-06700	4- 3
	4-11
	13-61
	14- 3
	15- 9
	16-34
95680-06100	11- 7
	13-10
95780-08300	13-52
	13-66
97013-06012	4-37
	16-31
	21-23
	24- 4
	24-13
	25-10
	25-17
	1-31
97013-06035	22-15
97013-08025	19- 2
97090-08035	8-19
97313-05012	7-10
97313-06010	6- 9
97313-06016	12-14
	21-33
	24-20
	24-23
	25- 2
	25- 5
97313-06020	1-19
	1-40
	17- 7
97313-06025	1-11
97313-06030	1-13
	6-25
	12- 3
	16-13
97313-06040	12- 4
97313-06050	6-23



FLOOD MARINE SERVICES
downloaded from www.yamahaoutboardparts.co.uk



FLOOD MARINE SERVICES
downloaded from www.yamahaoutboardparts.co.uk



FLOOD MARINE SERVICES
downloaded from www.yamahaoutboardparts.co.uk



FLOOD MARINE SERVICES
downloaded from www.yamahaoutboardparts.co.uk



FLOOD MARINE SERVICES
downloaded from www.yamahaoutboardparts.co.uk



FLOOD MARINE SERVICES
downloaded from www.yamahaoutboardparts.co.uk

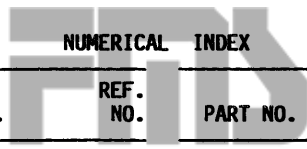


FLOOD MARINE SERVICES
downloaded from www.yamahaoutboardparts.co.uk

PART NO.	REF. NO.	PART NO.	REF. NO.
97313-08030	8-36	98580-04010	4-29
97315-06025	8-15		5-37
97315-06030	13-32	98580-05010	27-17
97395-06008	14-25		27-33
97395-06010	18-7	98580-05012	19-8
97395-06012	8-40		20-6
	13-42	98580-05016	4-15
	17-17	98580-05525	1-43
	26-9	98580-05555	27-28
97395-06016	12-20	98580-06020	20-11
	12-26	98580-06025	9-15
	16-6	98586-05016	10-7
	26-17	98780-03008	9-12
	26-20	98780-05016	15-3
97395-06018	27-22	98813-03100	5-40
97395-06020	9-3	98980-04008	25-31
	18-54	98980-06008	21-14
	19-5	99080-05600	14-12
	21-2		14-20
	21-10	99510-08012	20-13
97395-06025	6-18	99510-10114	1-3
	13-28		1-30
	21-6		
	21-28		
97395-06030	26-7		
97395-06040	18-28		
	30-19		
97395-06045	4-9		
	13-57		
97395-06095	13-59		
97395-06135	14-2		
97395-08016	22-17		
97395-08030	13-44		
97395-08040	17-22		
97780-40112	4-21		
	4-25		
	4-28		
	18-16		
97780-50110	18-59		
97890-05006	5-32		
97890-06030	15-6		
98501-05012	7-5		
98503-04014	5-20		
	5-22		
	9-13		
	16-23		
	29-27		
98503-06014	5-17		



FLOOD MARINE SERVICES
downloaded from www.yamahaoutboardparts.co.uk



FLOOD MARINE SERVICES
downloaded from www.yamahaoutboardparts.co.uk



FLOOD MARINE SERVICES
downloaded from www.yamahaoutboardparts.co.uk



FLOOD MARINE SERVICES
downloaded from www.yamahaoutboardparts.co.uk

NUMERICAL INDEX

PART NO.	REF. NO.	PART NO.	REF. NO.
----------	----------	----------	----------

PART NO.	REF. NO.
----------	----------

PART NO.	REF. NO.
----------	----------



FLOOD MARINE SERVICES
downloaded from www.yamahaoutboardparts.co.uk



FLOOD MARINE SERVICES
downloaded from www.yamahaoutboardparts.co.uk



FLOOD MARINE SERVICES
downloaded from www.yamahaoutboardparts.co.uk