

**PARTS  
CATALOGUE**

**F8B'92 (6J7)**  
**F9.9B'92 (6G9)**

Fig. 1

Fig. 2

Fig. 3

Fig. 4

Fig. 5

Fig. 6

Fig. 7

Fig. 8

Fig. 9

Fig. 10

Fig. 11

Fig. 12

Fig. 13

Fig. 14

Fig. 15

Fig. 16

Fig. 17

Fig. 18

Fig. 19

Fig. 20

Fig. 21

Fig. 22

Fig. 23

Fig. 24

Fig. 25

Fig. 26

Fig. 27

Fig. 28

Fig. 29

Fig. 30

CYLINDER. CRANKCASE .....	A3
CRANKSHAFT. PISTON .....	A4
VALVE .....	A5
INTAKE .....	A6
CARBURETOR .....	A7
OIL PUMP .....	B1
OIL PAN .....	B2
STARTER .....	B3
FUEL .....	B4
FUEL TANK .....	B5
TOP COWLING .....	B6
BOTTOM COWLING .....	B7
BRACKET 1 .....	C1
BRACKET 2 .....	C2
STEERING .....	C3
CONTROL .....	C4
UPPER CASING .....	C5
LOWER CASING. DRIVE 1 .....	C6
LOWER CASING. DRIVE 2 .....	C7
GENERATOR .....	D1
ELECTRIC PARTS .....	D2
ELECTRIC MOTOR (F8BEM/F3BE/F9.9BEM/F9.9BE MODEL) .....	D3
GENERATOR (F8BEM/F8BE/F9.9BEM/F9.9BE MODEL) .....	D4
ELECTRIC PARTS 1 (F8BEM/F9.9BEM MODEL) .....	D5
ELECTRIC PARTS 2 (F8BE/F9.9BE MODEL) .....	D6
REMOTE CONTROL .....	D7
REMOTE CONTROL ASSY .....	E1
OPTIONAL PARTS .....	E2
REPAIR KIT 1 .....	E3
REPAIR KIT 2 .....	E4
NUMERICAL INDEX .....	

2Q6G9-300E2

This Parts Catalogue is related to the parts in use for the Yamaha outboard motor F88'92 (6J7)/F9.9B'92(6G9). When you are ordering replacement parts for the F88'92(6J7)/F9.9B'92(6G9), refer to this Parts Catalogue and quote both part numbers and part names correctly.

1. Modifications or additions which have been made after issue of the Parts Catalogue will be announced in the Yamaha Parts News.  
It is advisable that according to the Yamaha Parts News you make necessary corrections to the Parts Catalogue on hand to keep it up-to-date.

2. Abbreviations

The following abbreviations are used in this Parts Catalogue.

- UR Use size (thickness) and/or number as required.
- UN Use as many as you need.
- AP Alternate Parts
- STD Standard
- O/S Over Size

3. Parts, which are to be supplied in the form of assemblies, are listed with an indentation of one letter's space, and a dot ( . ) is put against the name of each part.

**EXAMPLE**

- CARBURETOR ASS'Y
- . JET, pilot
- . NOZZLE, main

4. Indication of No. of constituent parts for assembly.

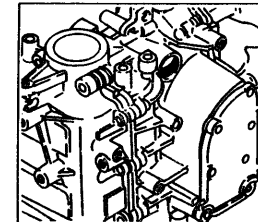
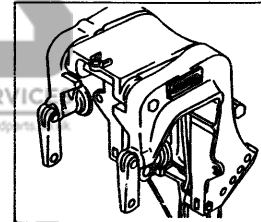
The numeral appearing to the right of each constituent part under the description indicates the quantity of such parts for each individual assembly unit.

**EXAMPLE**

Part No.	Description	Q'ty	Remarks
6E0-85500-70	C.D.I. MAGNETO ASS'Y	1	
6E0-85550-70	. ROTOR ASS'Y	1	
6E0-15723-00-94	. . PULLEY, starter	1	

5. Initial Serial No. and Color Code

Engine Serial No.	F88BM	S : 000258 and following
	F88BE	L : 300907 and following
	F88BEM	S : 100184 and following
	F9.9BM	L : 400551 and following
	F9.9BE	S : 200116 and following
	F9.9BEM	L : 500391 and following
		L : 304908 and following
		S : 100791 and following
		L : 401272 and following
		S : 200197 and following
		L : 500250 and following

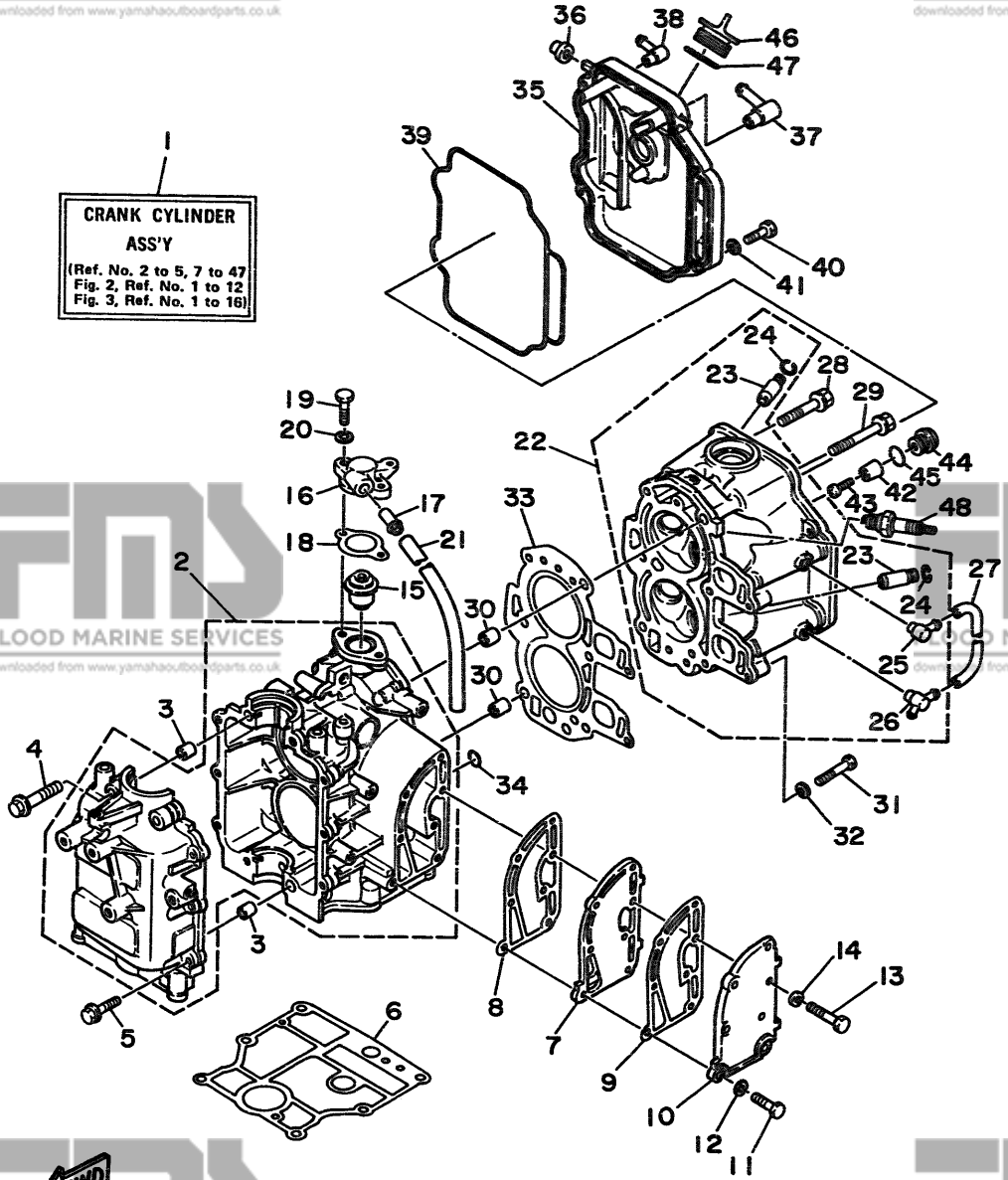


Color Code	Color Name	Abbreviate
EJ	METALLIC MARINE BLUE	MMB

**Fig. 1 CYLINDER. CRANKCASE**

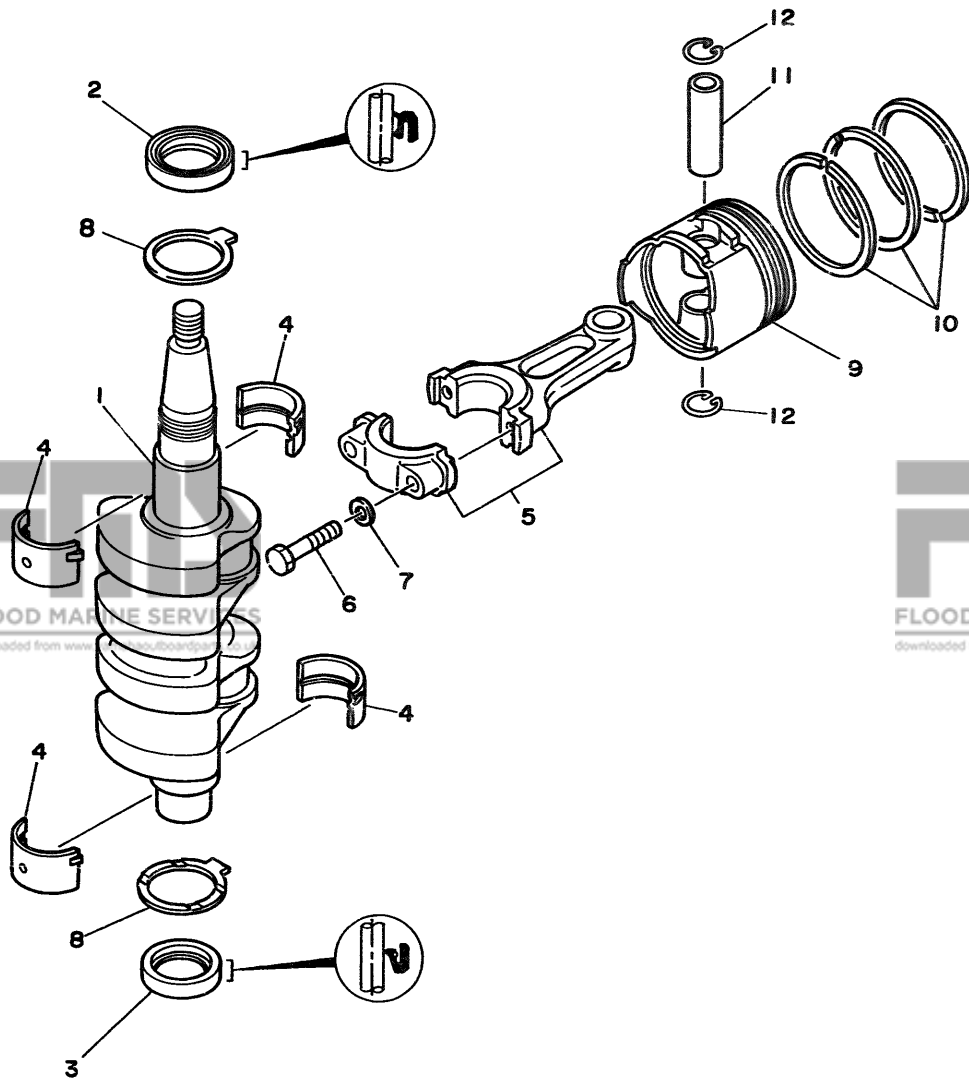
Ref.No.	Parts No.	Description	Q'ty	Ref.No.	Parts No.	Description	Q'ty
1	668-W0090-30-EJ	CRANK CYLINDER ASSY	1	27	668-12481-00	PIPE 1	1
2	668-15100-05-94	CRANKCASE ASSY	1	28	90105-08M37	BOLT, washer based	3
3	99510-10114	PIN, dowel	2	29	90105-08M36	BOLT, washer based	3
4	90119-08M18	BOLT, with washer	4	30	99510-10114	PIN, dowel	2
5	90119-06M12	BOLT, with washer	6	31	97013-06035	BOLT	2
6	668-11351-A0	GASKET, cylinder	1	32	92990-06600	WASHER, plate	2
7	668-41111-02-9M	INNER COVER, exhaust	1	33	668-11181-A0	GASKET, cylinder head 1	1
8	668-41112-02	GASKET, exhaust inner cover	1	34	93210-11M59	O-RING	1
9	668-41114-00	GASKET, exhaust outer cover	1	35	668-11191-01-94	COVER, cylinder head 1	1
10	668-41113-01-9M	OUTER COVER, exhaust	1	36	668-81336-00	GROMMET	2
11	97313-06025	BOLT	2	37	668-15373-00	PIPE, breather	1
12	92990-06600	WASHER, plate	2	38	676-11372-00	NIPPLE, hose	1
13	97313-06030	BOLT	5	39	668-11356-00	SEAL, cylinder 2	1
14	92990-06600	WASHER, plate	5	40	97313-06020	BOLT	4
15	668-12411-02	THERMOSTAT	1	41	92990-06600	WASHER, plate	4
16	668-12413-00-94	COVER, thermostat	1	42	668-11325-00	ANODE	1
17	6E5-24377-00	PIPE, joint 3	1	43	98580-05525	SCREW, pan head	1
18	668-12414-A0	GASKET, cover	1	44	668-11197-00	PLUG, blind	1
19	97313-06020	BOLT	2	45	93210-13M63	O-RING	1
20	92990-06600	WASHER, plate	2	46	668-15363-00	PLUG, oil	1
21	90445-11M66	HOSE	1	47	93210-25070	O-RING	1
22	668-11111-02-94	HEAD, cylinder 1	1	48	94701-00282	PLUG, spark (NGK CR6HS) (F9.9B Model)	2 UR
23	668-11133-10	.GUIDE, intake valve	4		94701-00300	PLUG, spark (NGK CR5HS) (F8B Model)	2 UR
24	93450-09M01	.CIRCLIP	4				
25	676-11372-00	NIPPLE, hose	1				
26	668-11372-01	NIPPLE, hose	1				

**CRANK CYLINDER ASS'Y**  
(Ref. No. 2 to 5, 7 to 47  
Fig. 2, Ref. No. 1 to 12  
Fig. 3, Ref. No. 1 to 18)



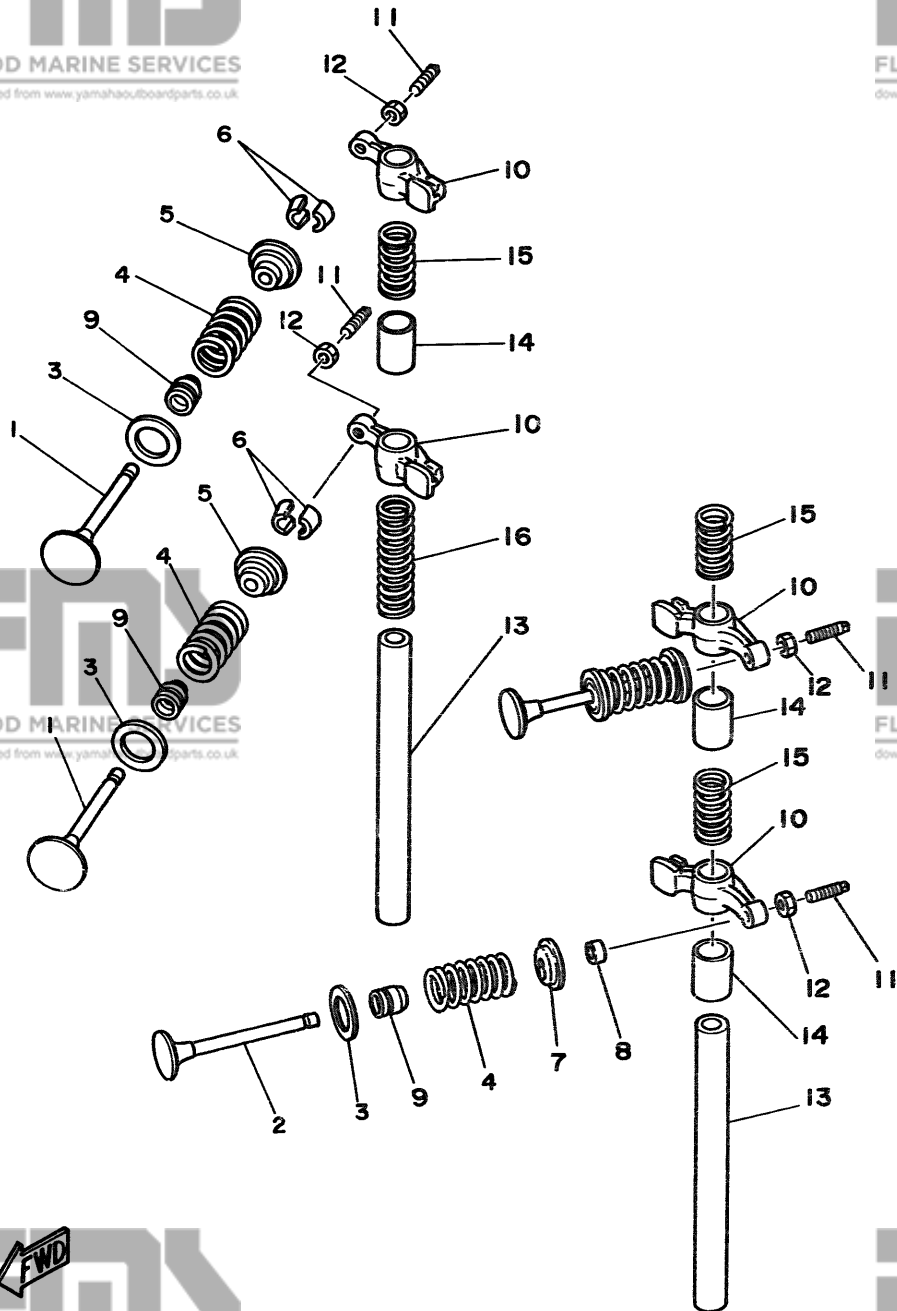
**Fig. 2 CRANKSHAFT. PISTON**

Ref.No.	Parts No.	Description	Q'ty	Ref.No.	Parts No.	Description	Q'ty
1	668-11411-04	CRANKSHAFT	1	7	90201-06M00	WASHER, plate	4
2	93102-30M22	OIL SEAL	1	8	668-11426-00	PLANE BEARING, crankshaft 1	2
3	93101-25M24	OIL SEAL	1	9	668-11631-03-96	PISTON (STD)	2
4	668-11416-00	PLANE BEARING, crankshaft 1 (Brown)	4 UR		668-11635-03	PISTON (0.25MM O/S)	2 AP
	668-11416-10	PLANE BEARING, crankshaft 1 (Black)	4 UR		668-11636-03	PISTON (0.50MM O/S)	2 AP
	668-11416-20	PLANE BEARING, crankshaft 1 (Blue)	4 UR	10	668-11610-02	PISTON RING SET (STD)	2
					668-11610-12	PISTON RING SET (0.25MM O/S)	2 AP
					668-11610-22	PISTON RING SET (0.50MM O/S)	2 AP
5	668-11650-03	CONNECTING ROD ASSY	2	11	634-11633-00	PIN, piston	2
6	668-11654-00	BOLT, connecting rod	4	12	93450-15023	CIRCLIP	4

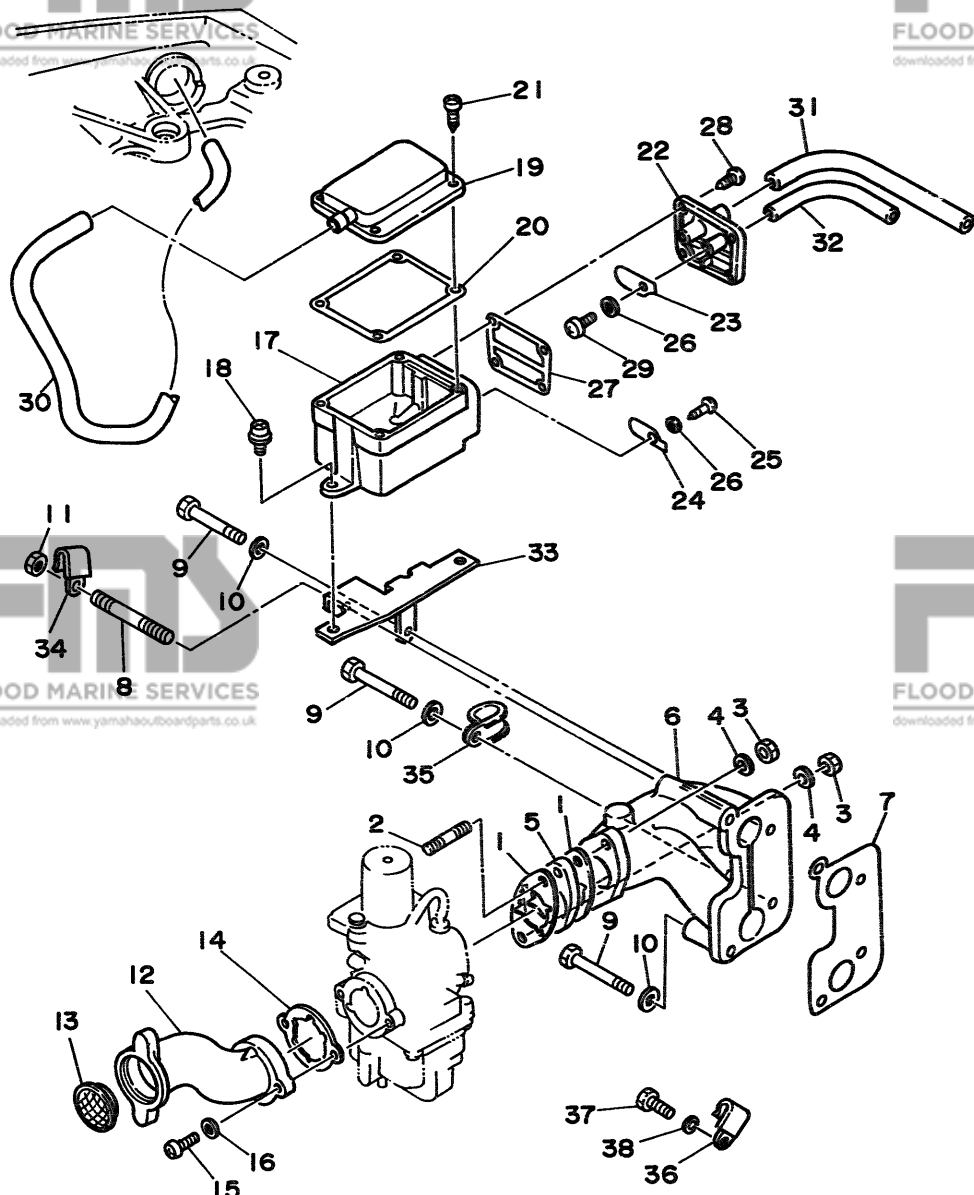


**Fig. 3 VALVE**

Ref.No.	Parts No.	Description	Q'ty	Ref.No.	Parts No.	Description	Q'ty
1	6G8-12111-00	VALVE, intake	2	9	51Y-12119-00	SEAL, valve stem	4
2	6G8-12121-01	VALVE, exhaust	2	10	6G8-12151-00	ARM, valve rocker	4
3	6G8-12116-00	SEAT, valve spring	4	11	6G8-12159-00	SCREW, valve adjusting	4
4	6G8-12113-00	SPRING, valve inner	4	12	6G8-12158-00	NUT, lock	4
5	6G8-12117-00	RETAINER, valve spring	2	13	6G8-12146-00	SHAFT, rocker	2
6	30X-12118-00	COTTER, valve	4	14	90387-13M56	COLLAR	3
7	6G8-12117-10	RETAINER, valve spring	2	15	90501-12M40	SPRING, compression	3
8	6G8-12153-00	LIFTER, valve	2	16	90501-12M41	SPRING, compression	1



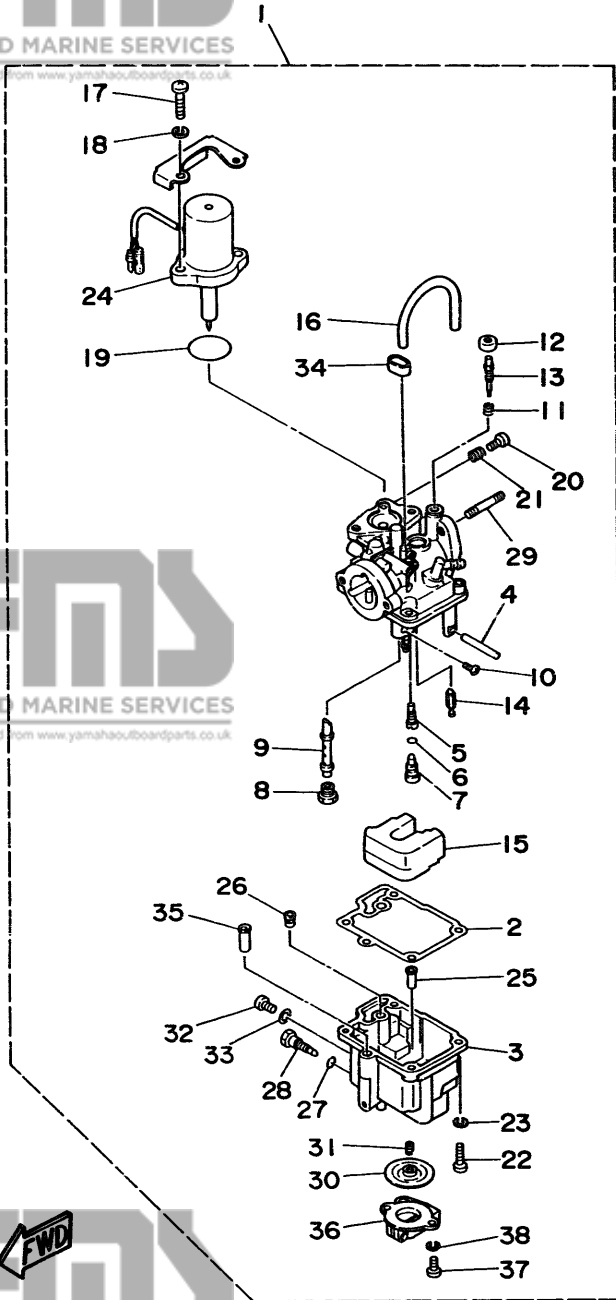
**Fig. 4 INTAKE**



Ref.No.	Parts No.	Description	Q'ty	Ref.No.	Parts No.	Description	Q'ty
1	668-13646-A0	GASKET, manifold 2	2	20	668-15369-00	GASKET, oil seal housing	1
2	90116-06M26	BOLT, stud	2	21	97780-40112	SCREW, tapping	4
3	95380-06700	NUT	2	22	668-15371-00-94	BREATHER	1
4	92990-06600	WASHER, plate	1	23	668-15346-00	BREATHER 1	1
5	668-13647-00	GASKET, manifold 3	1	24	668-15347-00	BREATHER 2	1
6	668-13641-01-94	MANIFOLD 1	1	25	97780-40112	SCREW, tapping	1
7	668-13645-06	GASKET, manifold 1	1	26	92990-04200	WASHER, plain	2
8	90116-06M15	BOLT, stud	1	27	668-15374-00	GASKET, breather	1
9	97395-06045	BOLT	3	28	97780-40112	SCREW, tapping	4
10	92990-06600	WASHER, plate	3	29	98580-04010	SCREW, pan head	1
11	95380-06700	NUT	1	30	668-15393-00	PIPE, breather 2	1
12	668-14479-01-94	FUNNEL	1	31	90445-11M52	HOSE	1
13	668-14478-00	LOUVER	1	32	90445-09065	HOSE	1
14	668-14198-A0	GASKET	1	33	668-15376-00	HOLDER, guide	1
15	98580-05016	SCREW, pan head	2	34	90465-08028	CLAMP	1
16	92990-05600	WASHER, plate	2	35	90461-06M01	CLAMP	1
17	668-15358-00	SEPARATOR, oil	1	36	90465-08028	CLAMP	1
18	90159-06M05	SCREW, with washer	2	37	97013-06012	BOLT	1
19	668-15368-00-94	SEPARATOR, oil	1	38	92990-06600	WASHER, plate	1

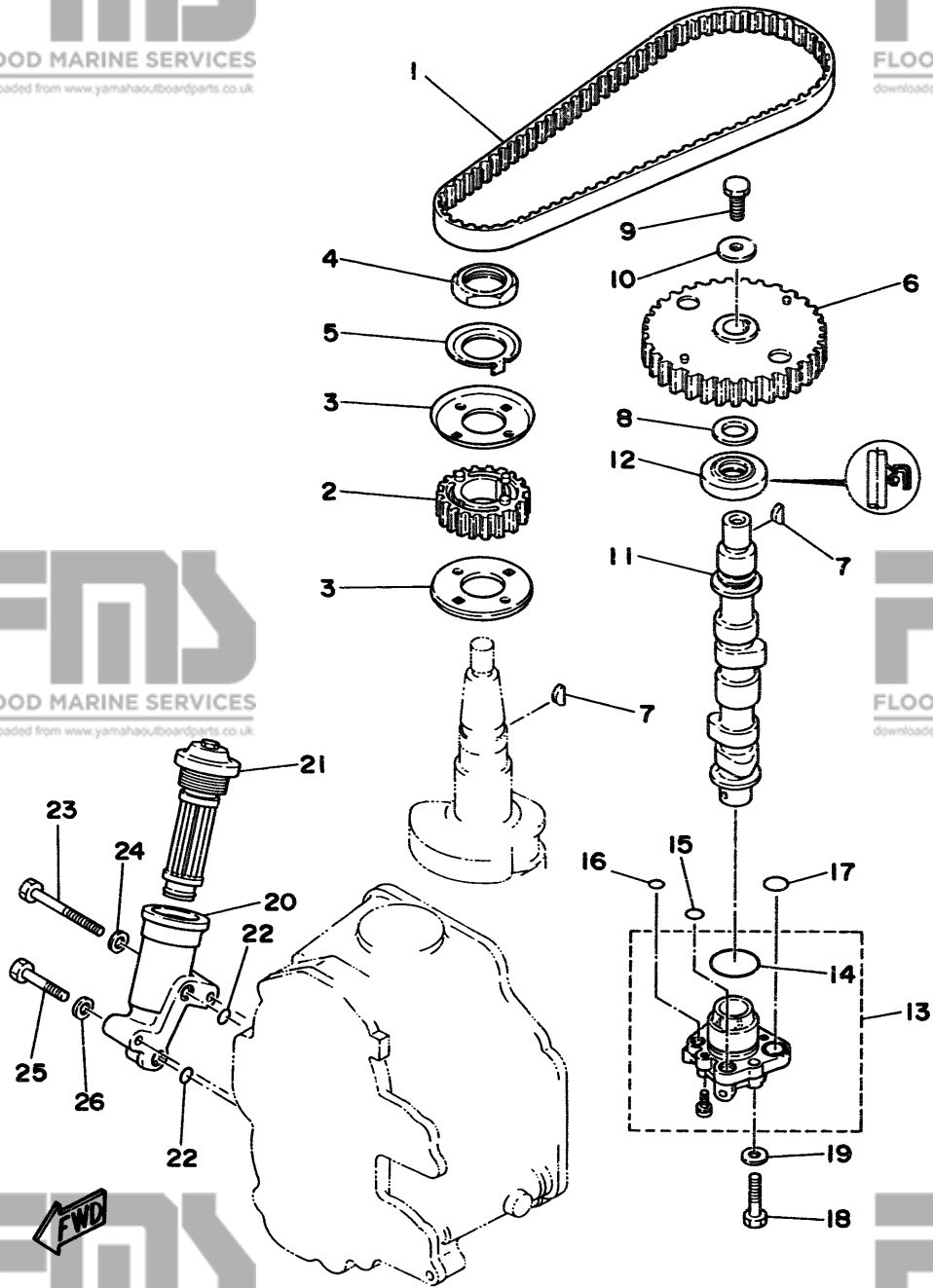
**Fig. 5 CARBURETOR**

Ref No	Parts No	Description	Qty	Ref No	Parts No	Description	Qty
1	6G8-14301-02	CARBURETOR ASSY 1 (F9.98 Model)	1 UR	19	1HV-14147-00	O-RING	1
	6J6-14301-03	CARBURETOR ASSY 1 (F8B Model)	1 UR	20	98503-04014	.SCREW, pan head	1
2	6G8-14384-01	.GASKET, float chamber	1	21	646-14717-01	.SPRING, pilot adjusting	1
3	6G8-14381-01	.BODY, float chamber	1	22	98503-04014	.SCREW, pan head	4
4	647-14385-10	.PIN, float	1	23	92903-04100	.WASHER, spring	4
5	6G8-14342-22	.JET, pilot (# 44)	1	24	6G8-1410A-00	.STARTER SET	1
6	654-14198-00	.GASKET	1	25	6G8-14827-00	.FILTER	1
7	6G8-14345-00	.PLUG, main nozzle	1	26	6A4-14344-25	.JET, starter (# 50)	1
8	648-14343-42	.JET, main (# 84)	1	27	5Y1-14397-00	.ORING	1
9	6G8-14341-10	.NOZZLE, main	1	28	6G8-14383-00	.SCREW, drain	1
10	6G8-14216-00	.SCREW	1	29	90116-06M26	.BOLT, stud	2
11	647-14334-00	.SPRING	1	30	6G8-14368-00	.DIAPHRAGM ASSY 1	1
12	6G8-14997-00	.SEAL	1	31	6G8-14275-00	.SPRING	1
13	6G8-14323-00	.SCREW, air adjusting	1	32	97890-05006	.SCREW, pan head	1
14	6G8-14392-00	.VALVE, needle	1	33	646-14198-01	.GASKET	1
15	6G8-14385-00	.FLOAT	1	34	6G8-14349-00	.PIPE	1
16	6G8-14197-01	.PIPE	2	35	6G8-14217-00	.VALVE, choke	1
17	98503-06014	.SCREW, pan head	2	36	6G8-14293-01	.COVER 1	1
18	92990-06100	.WASHER, spring	2	37	98580-04010	.SCREW, pan head	2
				38	92990-04100	.WASHER, spring	2



**Fig. 6 OIL PUMP**

Ref No.	Parts No	Description	Q'ty	Ref No.	Parts No	Description	Q'ty
1	6G8-46241-00	V-BELT	1	14	93210-29M56	O-RING	1
2	6G8-11536-00-94	GEAR, drive	1	15	93210-10M61	O-RING	1
3	6G8-11557-00	WASHER 1	2	16	93210-09M01	O-RING	1
4	90170-24M09	NUT	1	17	93210-13M63	O-RING	2
5	6G8-11587-00	WASHER, lock	1	18	97313-06025	BOLT	3
6	6G8-11537-00-94	GEAR, driven	1	19	92990-06600	WASHER, plate	3
7	90280-03M01	KEY, woodruff	2	20	6G8-13442-00-94	HOUSING, oil filter	1
8	90201-13201	WASHER, plate	1	21	6G8-13440-00	ELEMENT ASSY, oil cleaner	1
9	97313-06016	BOLT	1	22	93210-09M01	O-RING	2
10	90201-06M94	WASHER, plate	1	23	97313-06050	BOLT	1
11	6G8-12171-00	CAMSHAFT 1	1	24	92990-06600	WASHER, plate	1
12	93102-18M21	OIL SEAL	1	25	97313-06030	BOLT	1
13	6G8-13300-02	OIL PUMP ASSY	1	26	92990-06600	WASHER, plate	1





**Fig. 7 OIL PAN**

Ref.No.	Parts No.	Description	Q'ty	Ref.No.	Parts No.	Description	Q'ty
1	6G8-11575-00	RELIEF VALVE ASSY	1	10	97313-06010	BOLT	1
2	93210-12M62	O-RING	1	11	92990-06100	WASHER, spring	1
3	6G8-15379-00	SEAL, crankcase	1	12	6G8-13421-00	STRAINER 2	1
4	6G8-13487-00	GUIDE, oil hose	1	13	6G8-15316-00	DAMPER, engine mount 1	1
5	98501-05012	SCREW, pan head	1	14	90105-06133	BOLT, washer based	9
6	92901-05600	WASHER, plate	1	15	6G8-13471-00	PLUG, drain	1
7	6G8-15311-02-00	OIL PAN	1	16	93210-16M64	O-RING	1
8	6G8-15312-A1	GASKET, oil pan	1	17	6G8-15362-04	PLUG, oil level	1
9	6G8-45127-00	SEAL	1				

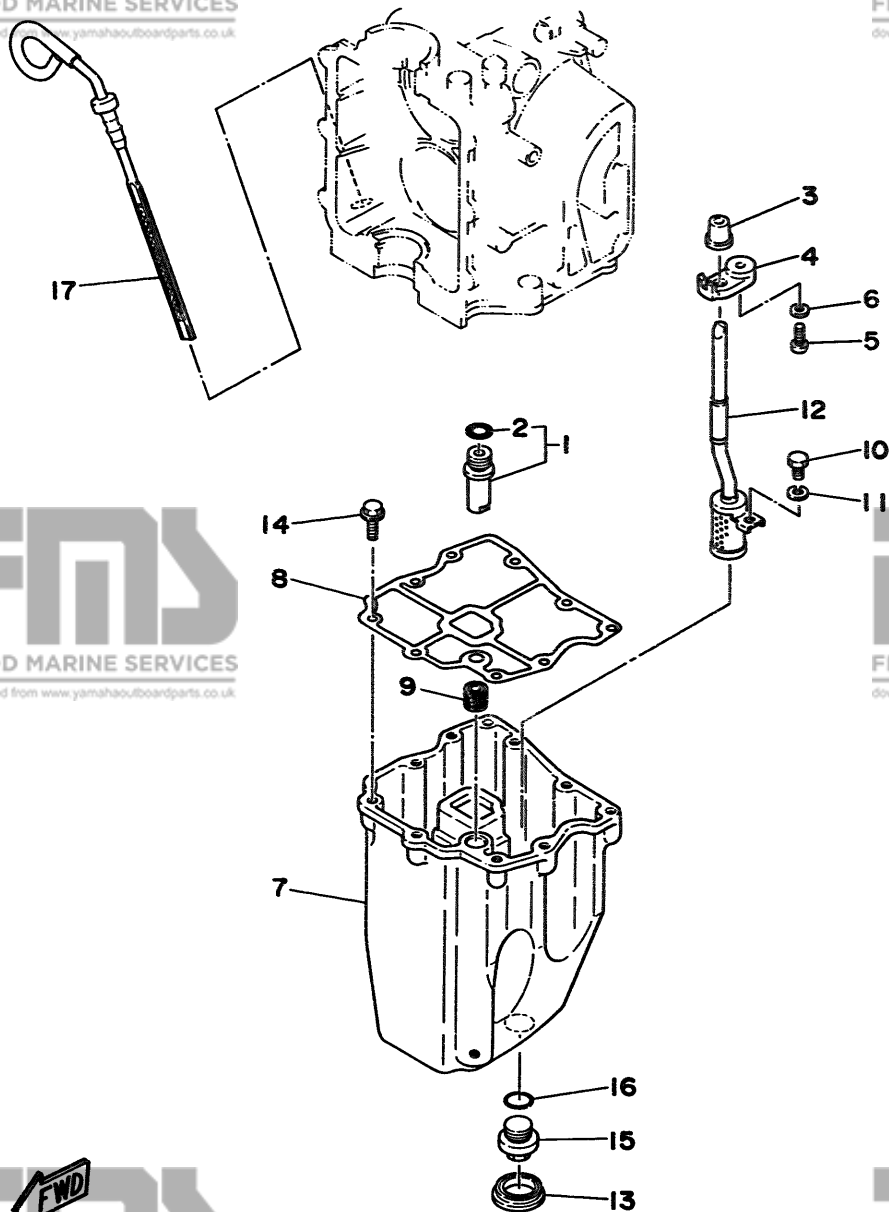
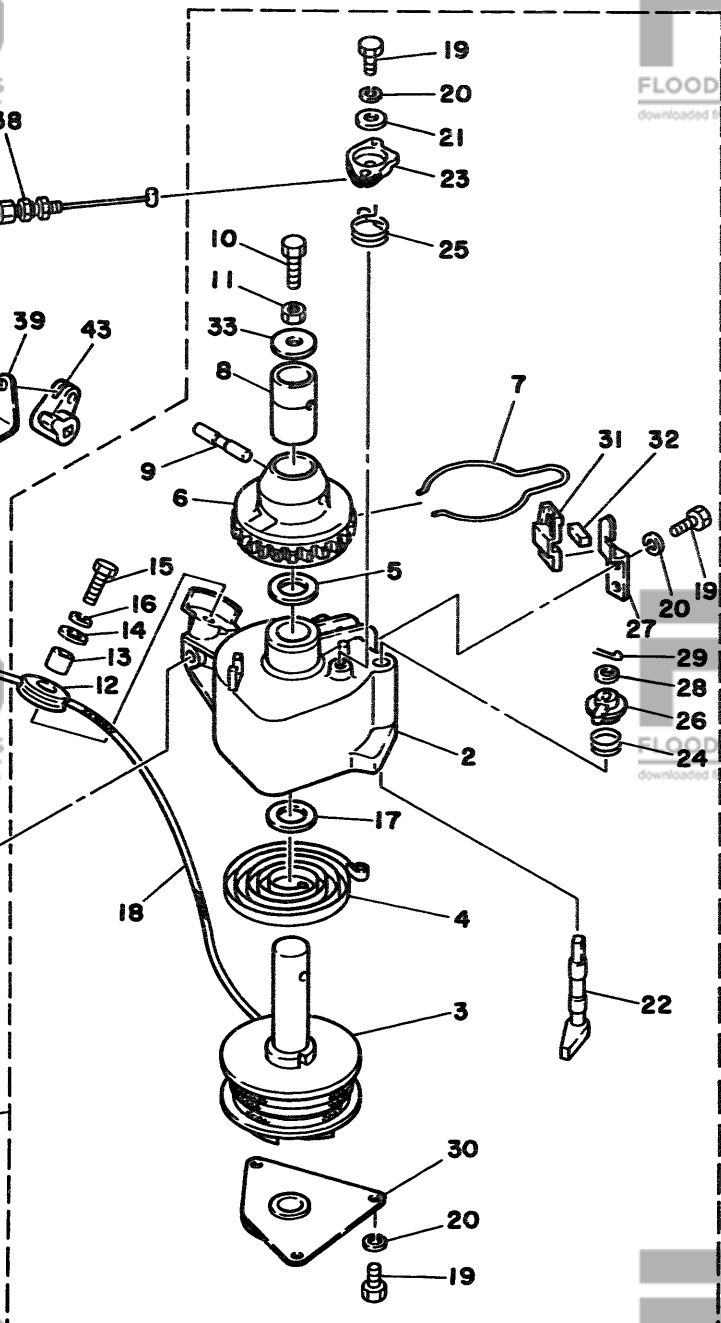


Fig. 8 STARTER

Ref.No.	Parts No.	Description	Q'ty	Ref.No.	Parts No.	Description	Q'ty
1	668-15710-10	STARTER ASSY	1	23	668-15746-00	.ARM	1
2	668-15711-00	.CASE, starter	1	24	668-15767-00	.SPRING	1
3	668-15714-00	.DRUM, sheave	1	25	668-15734-00	.SPRING, return	1
4	668-15713-00	.SPRING, starter	1	26	668-15747-00	.LINK	1
5	668-15719-00	.WASHER, thrust	1	27	668-15716-00	.PLATE, drive	1
6	668-15723-00	.PULLEY, starter	1	28	92990-06200	.WASHER, plain	1
7	668-15715-00	.SPRING, drive plate	1	29	91490-16015	.PIN, cotter	1
8	668-15754-00	.BUSH 2	1	30	668-15712-00	.COVER, starter case	1
9	668-15727-00	.PIN	1	31	668-15779-00	.COVER	1
10	668-15768-00	.BOLT	1	32	668-15789-00	.DAMPER	1
11	9533-08700	.NUT	1	33	668-15742-00	.WASHER, drive pawl	1
12	6F5-15752-00	.ROLLER, wire	1	34	6G1-15755-00	HANDLE, starter	1
13	663-15753-00	.BUSH	1	35	689-15779-01	COVER	1
14	663-15791-00	.WASHER, lock	1	36	97313-08030	BOLT	3
15	97315-06025	.BOLT	1	37	92990-08600	WASHER, plate	3
16	92990-06100	.WASHER, spring	1	38	668-15770-00	CABLE COMP., starter stop	1
17	668-15739-00	.WASHER, thrust	1	39	668-15771-00	STAY 1	1
18	*	.WIRE (L:1850mm)	1	40	97395-06012	BOLT	1
19	97312-05012	.BOLT	6	41	92990-06600	WASHER, plate	1
20	92990-05100	.WASHER, spring	6	42	668-15772-00	STAY 2	1
21	668-15726-00	.WASHER, flat	1	43	668-44125-00	LEVER, shift rod	1
22	668-15794-00	.STOPPER	1				

\* Cut from 50m rolls, parts No. 90890-44373, cutting length 1.85m.



**Fig. 9 FUEL**

Ref.No.	Parts No.	Description	Q'ty	Ref.No.	Parts No.	Description	Q'ty
1	6G1-24304-02	FUEL PIPE JOINT COMP. 1	1	11	6G8-24411-02	.DIAPHRAGM	1
2	6G8-24329-00	SEAL	1	12	98780-03008	.SCREW, flat head	2
3	97395-06020	BOLT	1	13	98503-04014	.SCREW, pan head	4
4	92990-06600	WASHER, plate	1	14	92990-04200	.WASHER, plain	4
5	6G8-24311-00	PIPE, fuel 1	1	15	98580-06025	SCREW, pan head	2
6	646-24251-02	STRAINER 1	1	16	92990-06100	WASHER, spring	2
7	90445-09065	HOSE	1	17	92990-06600	WASHER, plate	2
8	90467-08004	CLIP	4	18	93210-20M65	O-RING	1
9	6G8-24410-02	FUEL PUMP ASSY	1	19	90445-09225	HOSE	1
10	6G8-24421-00	.VALVE, check	1	20	90467-08004	CLIP	2

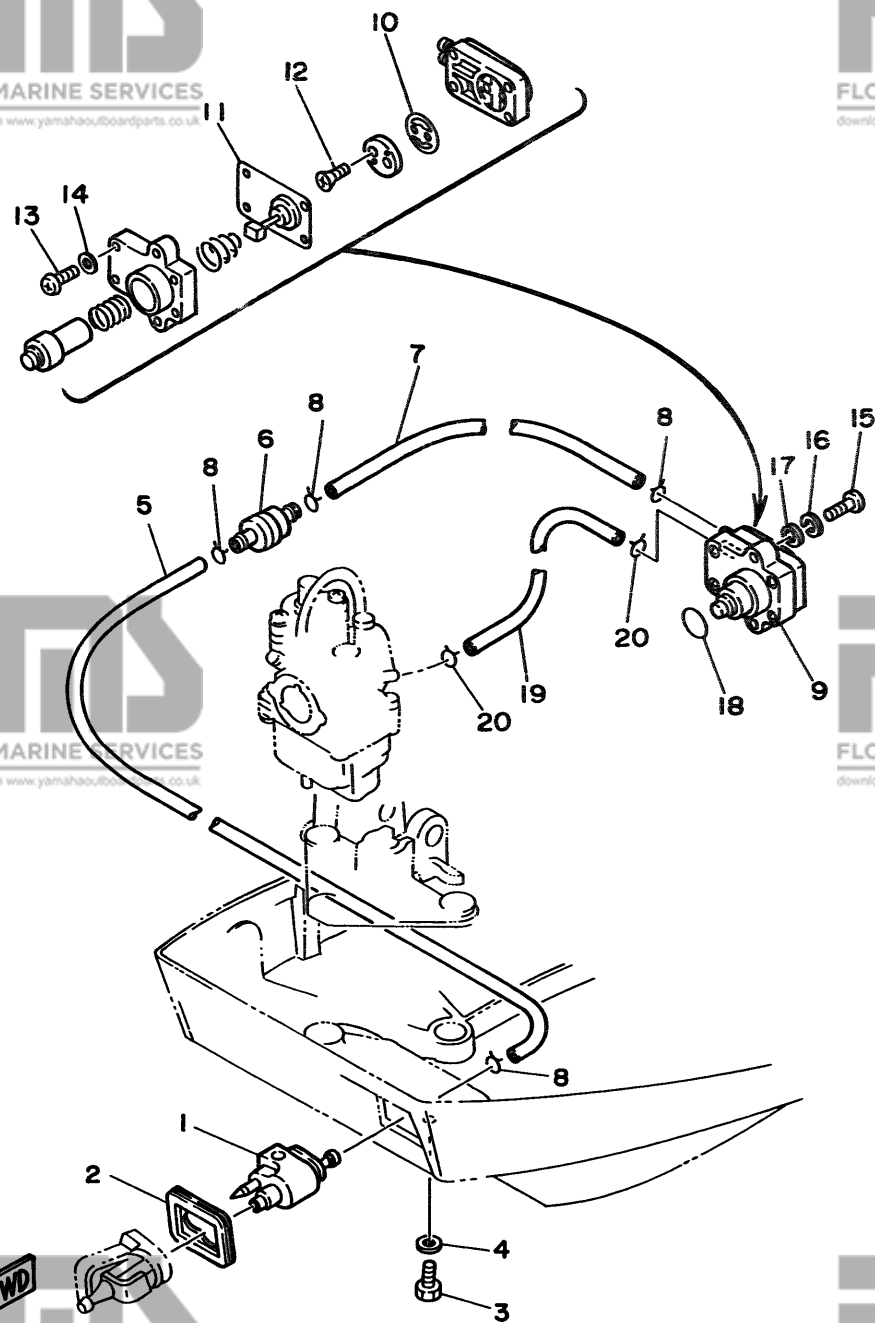
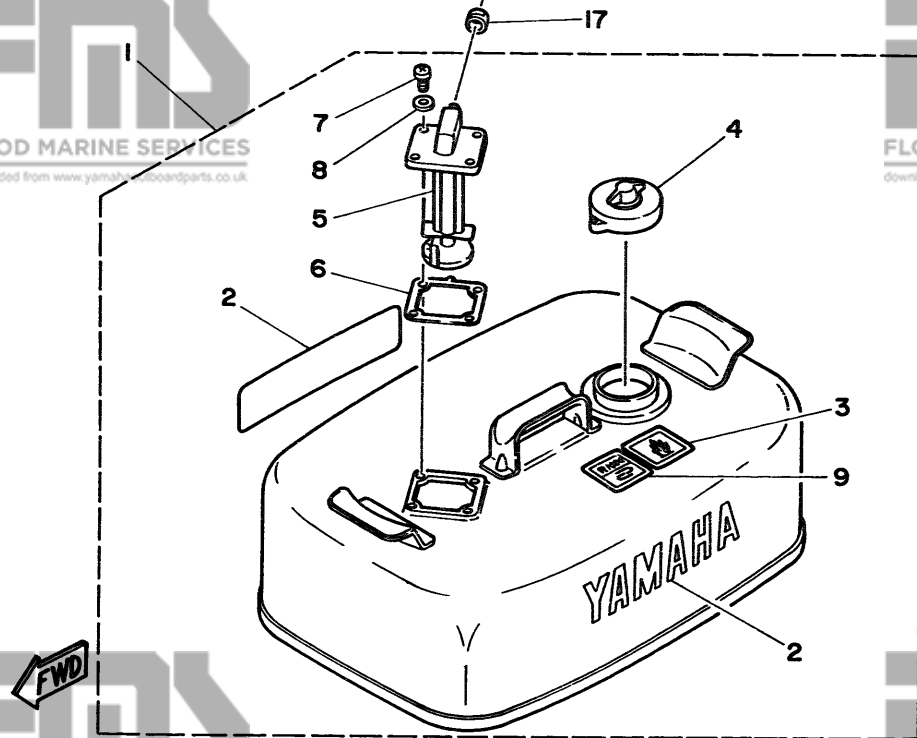
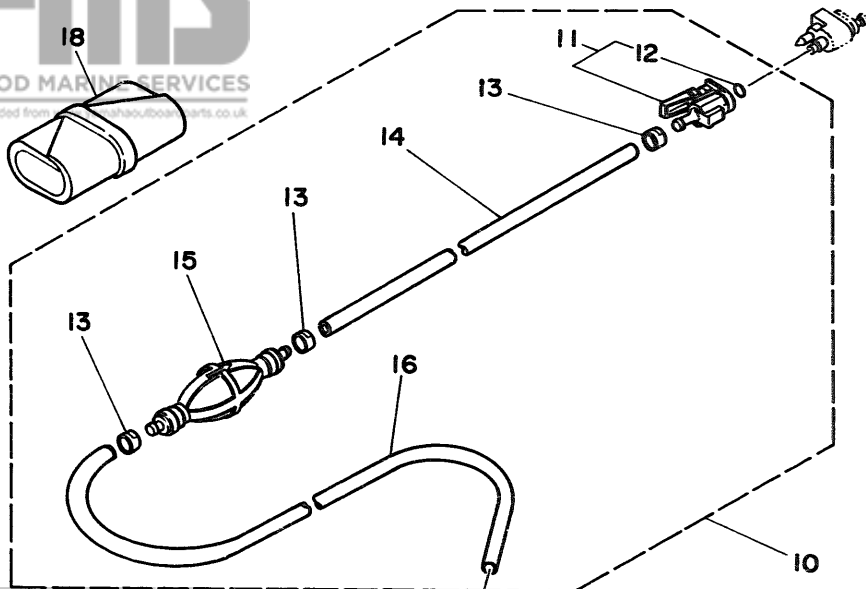


Fig. 10 FUEL TANK

Ref.No.	Parts No.	Description	Q'ty	Ref.No.	Parts No.	Description	Q'ty
1	6Y4-W2420-80-24	FUEL TANK ASSY	1	10	6Y4-24306-80	FUEL PIPE COMP. 1	1
2	6Y1-24246-00	.GRAPHIC, side	2	11	6G1-24305-00	.FUEL PIPE JOINT COMP. 2	1
3	6Y1-24257-00	.GRAPHIC	1	12	93210-08287	.O-RING	1
4	6Y1-24610-12	.CAP ASSY	1	13	650-24351-01	.BAND 1	3
5	6Y4-24275-80	.FUEL METER COMP.	1	# 14	90445-11M05	.HOSE (L:850mm)	1
6	6Y1-24268-00	.GASKET, fuel meter	1	15	6Y1-24360-02	.PRIMER PUMP ASSY	1
7	98586-05016	.SCREW, pan head	4	# 16	90445-11M06	.HOSE (L:2050mm)	1
8	6Y1-24329-00	.SEAL	4	17	650-24351-01	BAND 1	1
9	6Y1-24256-80	.GRAPHIC, fuel tank	1	18	676-W2810-00	TOOL KIT	1

# Also available in 30m rolls. (Parts No. 90890-56878)



FWD

Fig. 11 TOP COWLING

Ref.No.	Parts No.	Description	Q'ty	Ref.No.	Parts No.	Description	Q'ty
1	669-42610-23-EJ	TOP COWLING ASSY (F9.9B Model)	1 UR	7	95303-06700	.NUT	4
	6J7-42610-23-EJ	TOP COWLING ASSY (F8B Model)	1 UR	8	92990-06200	.WASHER, plain	4
2	668-42615-00	.SEAL	1	9	669-W0070-22	.GRAPHIC SET	1
3	668-42651-00	.HOOK	1	10	669-42678-22	.GRAPHIC, rear (F9.9B Model)	1 UR
4	668-42652-00	.HOOK	1		6J7-42678-22	.GRAPHIC, rear (F8B Model)	1 UR
5	90266-04M04	.RIVET	4	11	668-42628-01	.SEAL	1
6	668-42613-00-EJ	.MOLDING, air duct	1	12	6E0-44191-11	.INDICATOR, shift	1

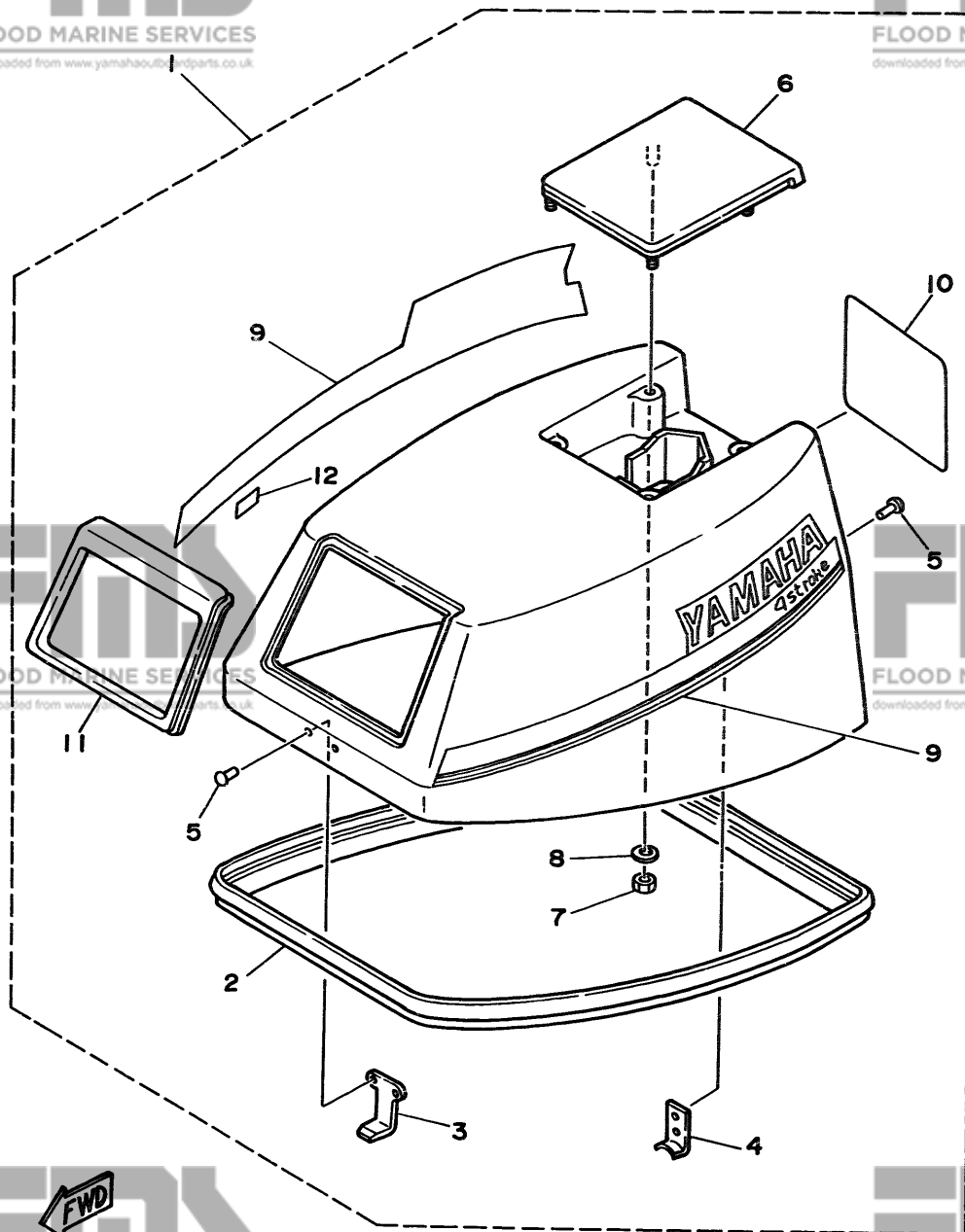
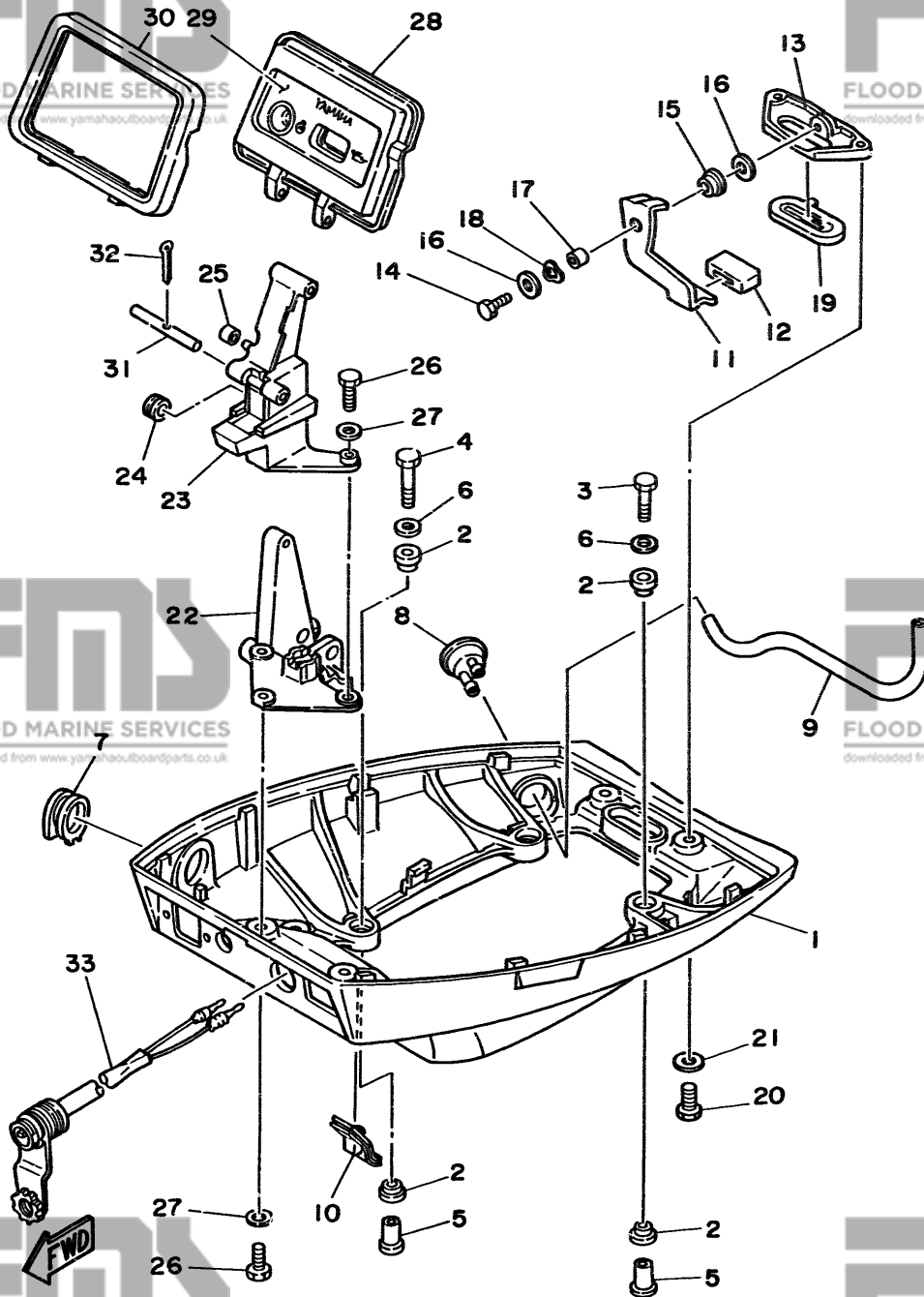


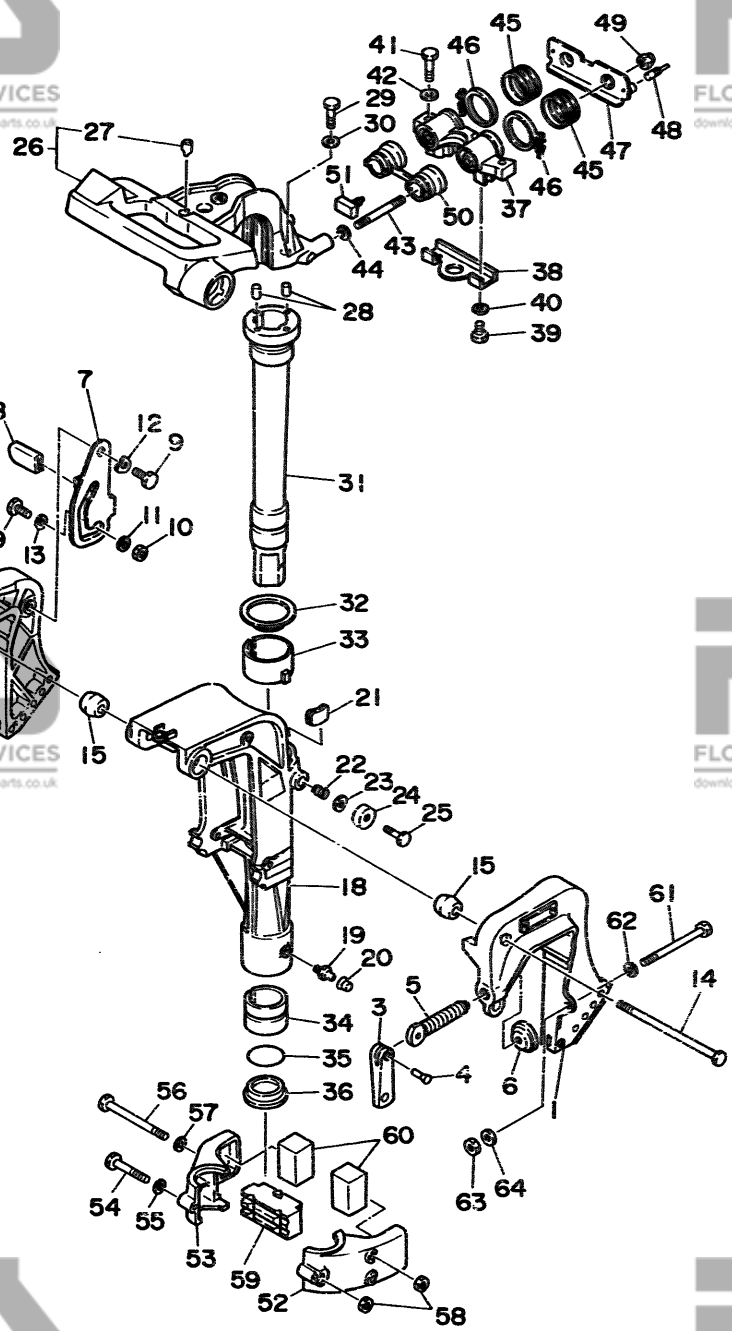
Fig. 12 BOTTOM COWLING

Ref.No.	Parts No.	Description	Q'ty	Ref.No.	Parts No.	Description	Q'ty
1	6G8-42711-01-EJ	COWLING, bottom	1	16	90201-06M31	WASHER, plate	2
2	90480-09M35	GROMMET	8	17	90387-06M72	COLLAR	1
3	97313-06030	BOLT	2	18	90206-08M13	WASHER, wave	1
4	97313-06040	BOLT	2	19	6G8-42748-00	GROMMET	1
5	90387-06M15	COLLAR	4	20	97395-06016	BOLT	2
6	90201-06M31	WASHER, plate	4	21	92990-06600	WASHER, plate	2
7	6G8-42724-00	GROMMET	1	UR	6G8-42738-00-94	PLATE, fitting	1
	6G8-42724-00	GROMMET (For Remote Control)	1	UR	6G8-42719-00-EJ	PANEL, front lower	1
8	6G8-44391-00	NIPPLE, hose	1	24	90480-19031	GROMMET	1
9	6G8-12482-00	PIPE 2	1	25	90445-05ME6	HOSE	1
10	6G8-42727-00	GROMMET	1	26	97395-06016	BOLT	4
11	6G8-42815-00	LEVER, clamp	1	27	92990-06600	WASHER, plate	4
12	6G8-42831-00	BUSHING	1	28	6G8-W4261-00	PANEL, front upper	1
13	6G8-42811-00-94	STAY	1	29	6G8-42677-00	GRAPHIC, front	1
14	97313-06016	BOLT	1	30	6G8-42629-01	SEAL	1
15	90386-08M49	BUSH	1	31	6G8-42755-00	HINGE, cowling	1
				32	91490-16010	PIN, cotter	1
				33	682-84381-00	2P CONCENT	1



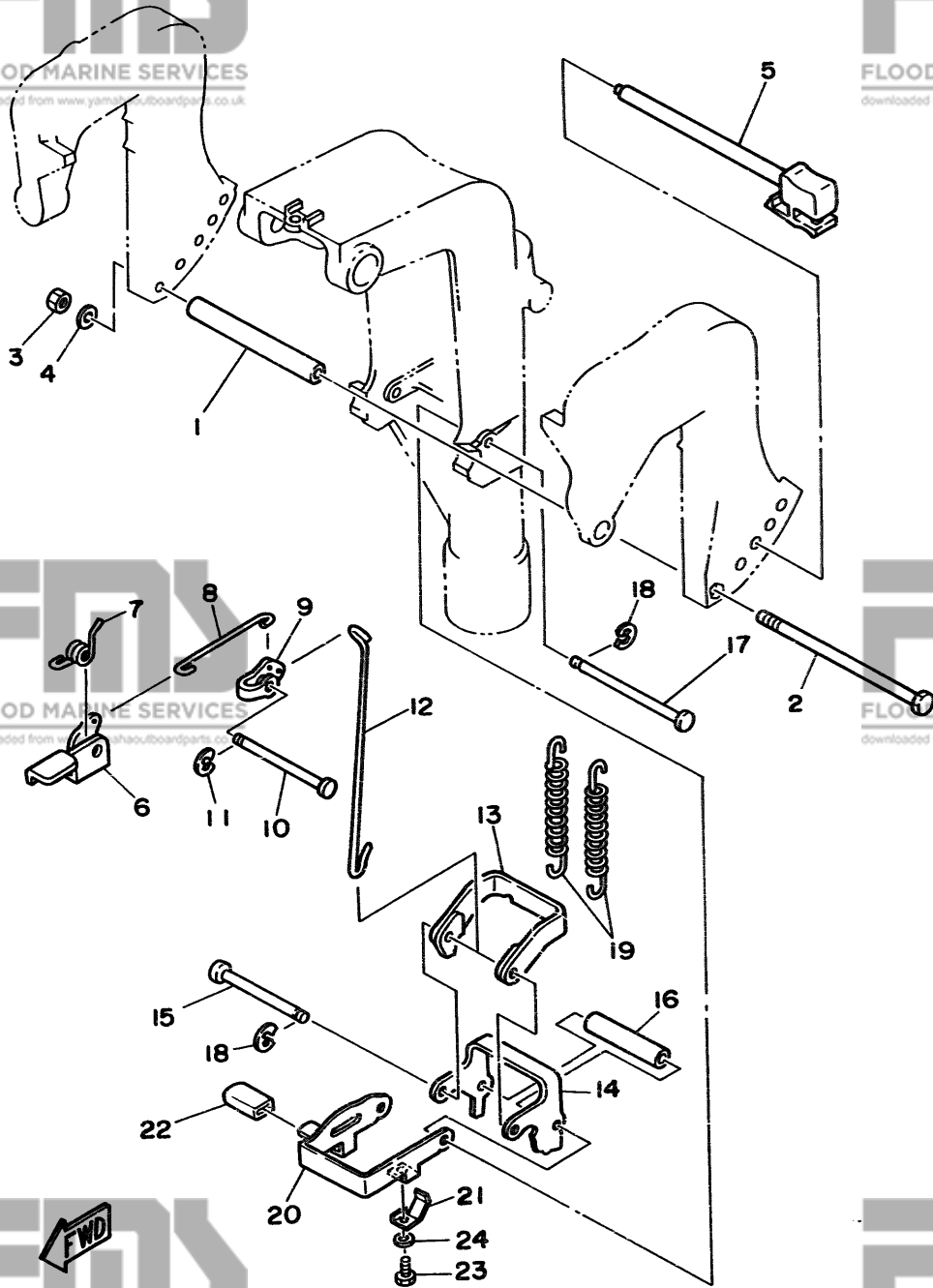
**Fig. 13 BRACKET 1**

Ref.No.	Parts No.	Description	Q'ty	Ref.No.	Parts No.	Description	Q'ty
1	6G8-43111-02-EJ	BRACKET, clamp	1	32	90209-45M09	WASHER	1
2	6G8-43112-03-EJ	BRACKET, clamp	1	33	6G8-42537-00	BUSHING, pivot shaft	1
3	616-43118-00-EJ	HANDLE, transom clamp	2	34	90386-37M47	BUSH	1
4	90243-04M00	PIN	2	35	93210-37M67	O-RING	1
5	90149-14030	SCREW	2	36	90386-37M48	BUSH	1
6	648-43114-01	PAD, transom clamp	2	37	6G8-44517-00-94	MOUNT RUBBER	1
7	6G8-43181-00	LEVER, tilt stop	1	38	6G8-44526-00	PLATE	1
8	682-43318-01	COVER	1	39	97395-06012	BOLT	2
9	90109-06M25	BOLT	2	40	92990-06600	WASHER, plate	2
10	95680-06100	NUT, u	2	41	97395-08030	BOLT	2
11	92990-06600	WASHER, plate	2	42	92990-08600	WASHER, plate	2
12	90206-10M15	WASHER, wave	1	43	90116-08M28	BOLT, stud	2
13	682-43339-01	WASHER	1	44	90201-08M12	WASHER, plate	2
14	90101-08M06	BOLT	1	45	6G8-44522-00	SEAL	2
15	6G8-43136-00	PIECE, friction	2	46	90460-38M06	CLAMP, hose	2
16	95780-0P300	NUT, flange	1	47	6G8-44518-00	BRACKET COMP.	1
17	6A1-43113-01	PLATE, clamp bracket	1	48	6G8-44533-00	DAMPER, upper mount rubber	2
18	6G9-43311-02-EJ	BRACKET, swivel (Short)	1 UR	49	95780-08300	NUT, flange	2
	6G8-43311-13-EJ	BRACKET, swivel (Long)	1 UR	50	6G8-44521-00	SEAL	1
19	93700-06004	NIPPLE, grease	1	51	6G8-44532-00	STOPPER, upper mount	1
20	663-45119-00	CAP, grease nipple	1	52	6G8-44551-01-EJ	HOUSING, lower mount rubber	1
21	6G8-42528-00	PLATE, friction	1	53	6G8-44552-02-EJ	HOUSING, lower mount rubber	1
22	90501-18M00	SPRING, compression	1	54	97395-06045	BOLT	1
23	90201-06M31	WASHER, plate	1	55	92990-06600	WASHER, plate	1
24	6G8-43373-00	SEAL, damper	1	56	97395-06095	BOLT	2
25	97395-06025	BOLT	1	57	92990-06600	WASHER, plate	2
26	6G9-42511-01-EJ	BRACKET, steering	1	58	95380-06700	NUT	3
27	6G8-42534-00	PIN, dowel	1	59	6G8-44557-00	MOUNT DAMPER, lower front	1
28	93605-15065	PIN, dowel	2	60	682-44555-00	MOUNT DAMPER, lower side	2
29	97315-06030	BOLT	2	61	90101-08M88	BOLT	2
30	92990-06600	WASHER, plate	2	62	92990-08600	WASHER, plate	2
31	6G9-42521-00-94	SHAFT, steering pivot (Short)	1 UR	63	95780-08300	NUT, flange	2
	6G8-42521-10-94	SHAFT, steering pivot (Long)	1 UR	64	90201-08MA4	WASHER, plate	2



**Fig. 14 BRACKET 2**

Ref.No.	Parts No.	Description	Q'ty	Ref.No.	Parts No.	Description	Q'ty
1	90387-06M09	COLLAR	1	14	682-43615-01	PLATE, tilt lock	1
2	97395-06135	BOLT	1	15	682-43611-01	SHAFT, tilt lock	1
3	95380-06700	NUT	1	16	90387-06M20	COLLAR	1
4	92990-06600	WASHER, plate	1	17	682-43659-00	SHAFT, reverse lock	1
5	6G8-43160-01	TILT ROD ASSY	1	18	99080-05600	CIRCLIP	2
6	6G8-43631-01	LEVER, tilt	1	19	90506-26M01	SPRING, tension	2 UR
7	90508-12M18	SPRING, torsion	1	90506-26M07	SPRING, tension	2 UR	
8	682-43616-00	ROD, tilt lock	1		(For Dual Thrust Prop.)	2 UR	
9	682-43641-00	LEVER, tilt	1	20	669-43681-00	LEVER, shallow water drive	1
10	90249-06M20	PIN	1	21	669-43643-00	SPRING	1
11	99080-05600	CIRCLIP	1	22	682-43318-01	COVER	1
12	6G8-43617-00	ROD, tilt lock	1	23	97395-06008	BOLT	1
13	682-43614-00	PLATE, tilt lock	1	24	92990-06600	WASHER, plate	1





**Fig. 15 STEERING**

Ref.No.	Parts No.	Description	Q'ty	Ref.No.	Parts No.	Description	Q'ty
1	669-42111-02-EJ	HANDLE, steering	1	12	90269-02M09	RIVET	1
2	669-42112-01-EJ	HANDLE, steering	1	13	668-42177-00	RUBBER, handle	1
3	98780-05016	SCREW, flat head	3	14	90386-33M56	BUSH	1
4	668-42126-01-94	FRICTION, steering handle grip	1	15	90206-20M14	WASHER, wave	1
5	90501-23M42	SPRING, compression	1	16	90201-20M00	WASHER, plate	2
6	97890-06030	SCREW, pan head	1	17	90185-20M03	NUT, self-locking	1
7	90201-06049	WASHER, plate	1	18	90202-20M33	WASHER, plate	1
8	90202-06007	WASHER, plate	1	19	669-W0084-81-EJ	HANDLE STEERING ASSY	
9	95380-06700	NUT	1		(F9.9B Model)	1 UR	
10	668-42119-00	GRIP, steering handle	1		6J7-W0084-81-EJ	HANDLE STEERING ASSY (F8B Model)	1 UR
11	668-42137-01	INDICATOR, throttle (F9.9B Model)	1 UR				
	6J6-42137-00	INDICATOR, throttle (F8B Model)	1 UR				

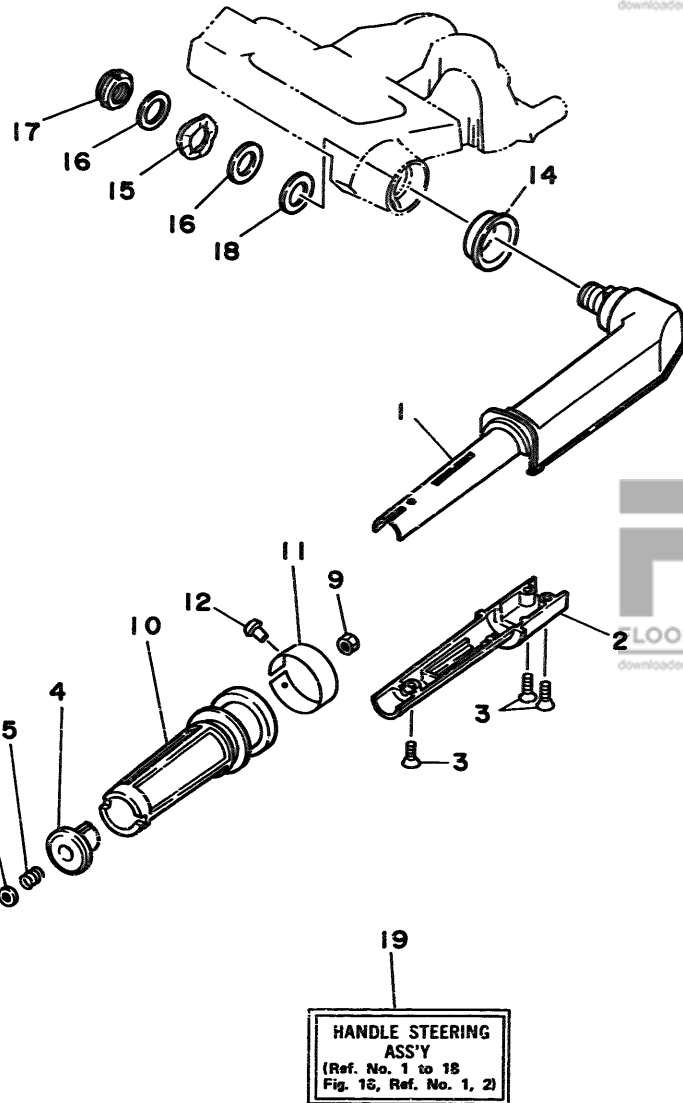
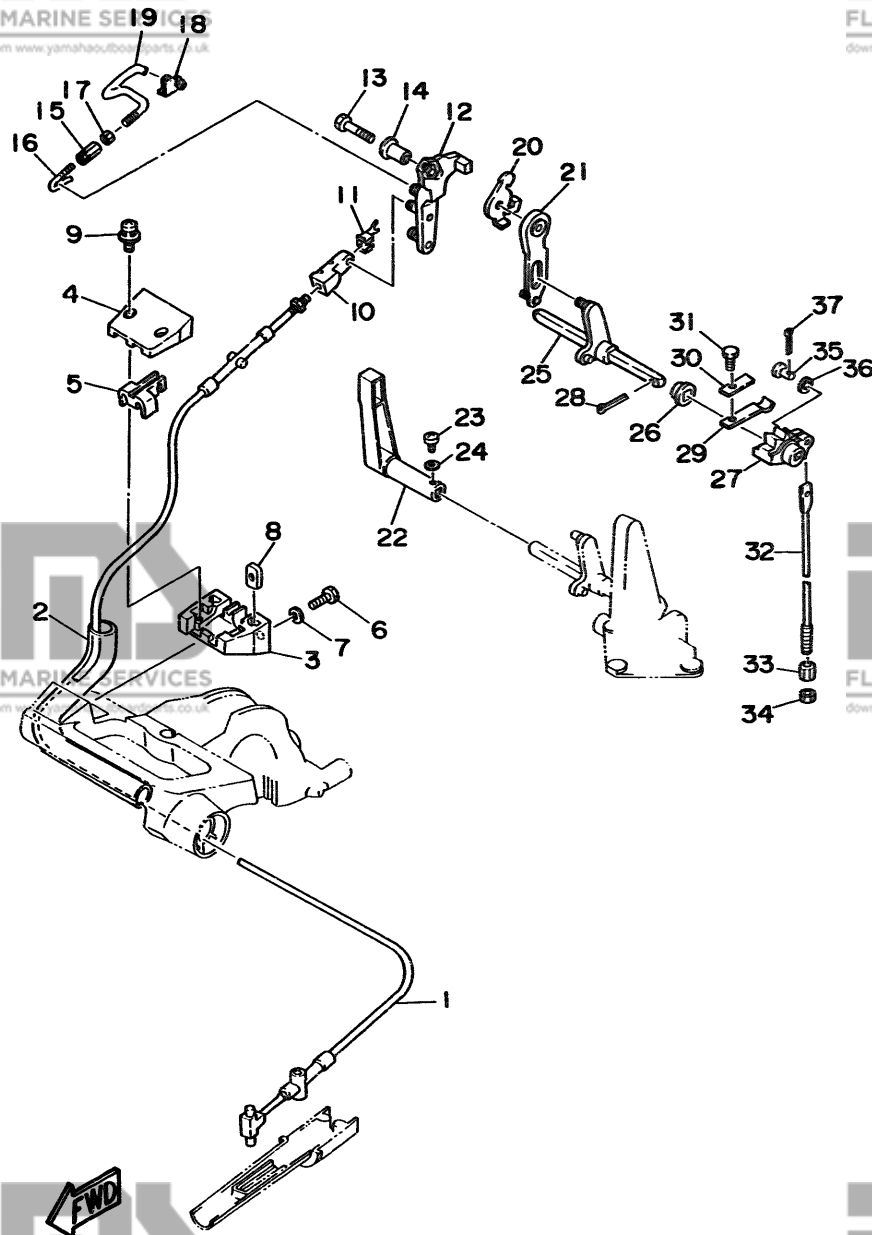
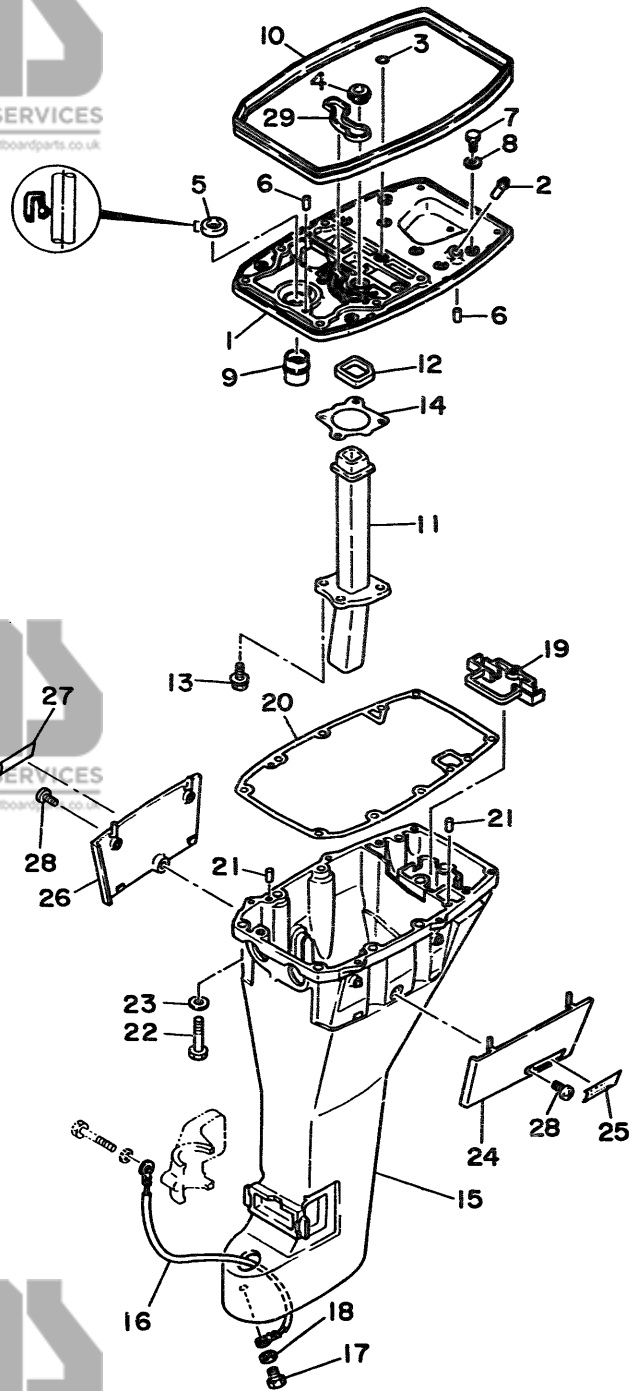


Fig. 16 CONTROL

Ref.No.	Parts No.	Description	Q'ty	Ref.No.	Parts No.	Description	Q'ty
1	669-48311-02	CABLE (F9.9B Model)	1 UR	20	668-14493-00	STAY 1 (F9.9B Model)	1 UR
	6J7-48311-02	CABLE (F8B Model)	1 UR		6J6-14493-00	STAY 1 (F8B Model)	1 UR
2	90445-24M00	HOSE	1	21	668-44111-00	HANDLE, gear shift	1
3	668-41661-00-9B	BRACKET	1	22	669-44111-00-9B	HANDLE, gear shift	1
4	668-41662-00-9B	BRACKET	1	23	98503-04014	SCREW, pan head	1
5	668-41663-00	BRACKET 3	1	24	92990-04200	WASHER, plain	1
6	97395-06016	BOLT	2	25	668-44159-00	HANDLE, gear shift	1
7	92990-06600	WASHER, plate	2	26	682-44132-00	BUSHING	1
8	668-41654-00	NUT	2	27	668-44141-00	LINK, shift rod	1
9	90159-05M06	SCREW, with washer	2	28	91490-25020	PIN, cotter	1
10	668-26363-00	END, cable	1	29	682-44116-00	SPRING	1
11	668-26364-00	END, cable 2	1	30	682-44117-00	BRACKET	1
12	668-41212-00	ARM, accel.	1	31	97013-06012	BOLT	1
13	97313-06030	BOLT	1	32	669-44143-00	ROD, shift (Short)	1 UR
14	90387-06M58	COLLAR	1		668-44143-10	ROD, shift (Long)	1 UR
15	668-41238-01	JOINT, 11nk	1	33	90170-06015	NUT	1
16	668-41241-01	ROD, 11nk	1	34	95380-06700	NUT	1
17	95303-04600	NUT	1	35	91790-05020	PIN, clevis	1
18	668-41237-01	JOINT, 11nk	1	36	92990-05600	WASHER, plate	1
19	668-41242-01	ROD 2	1	37	91490-16010	PIN, cotter	1





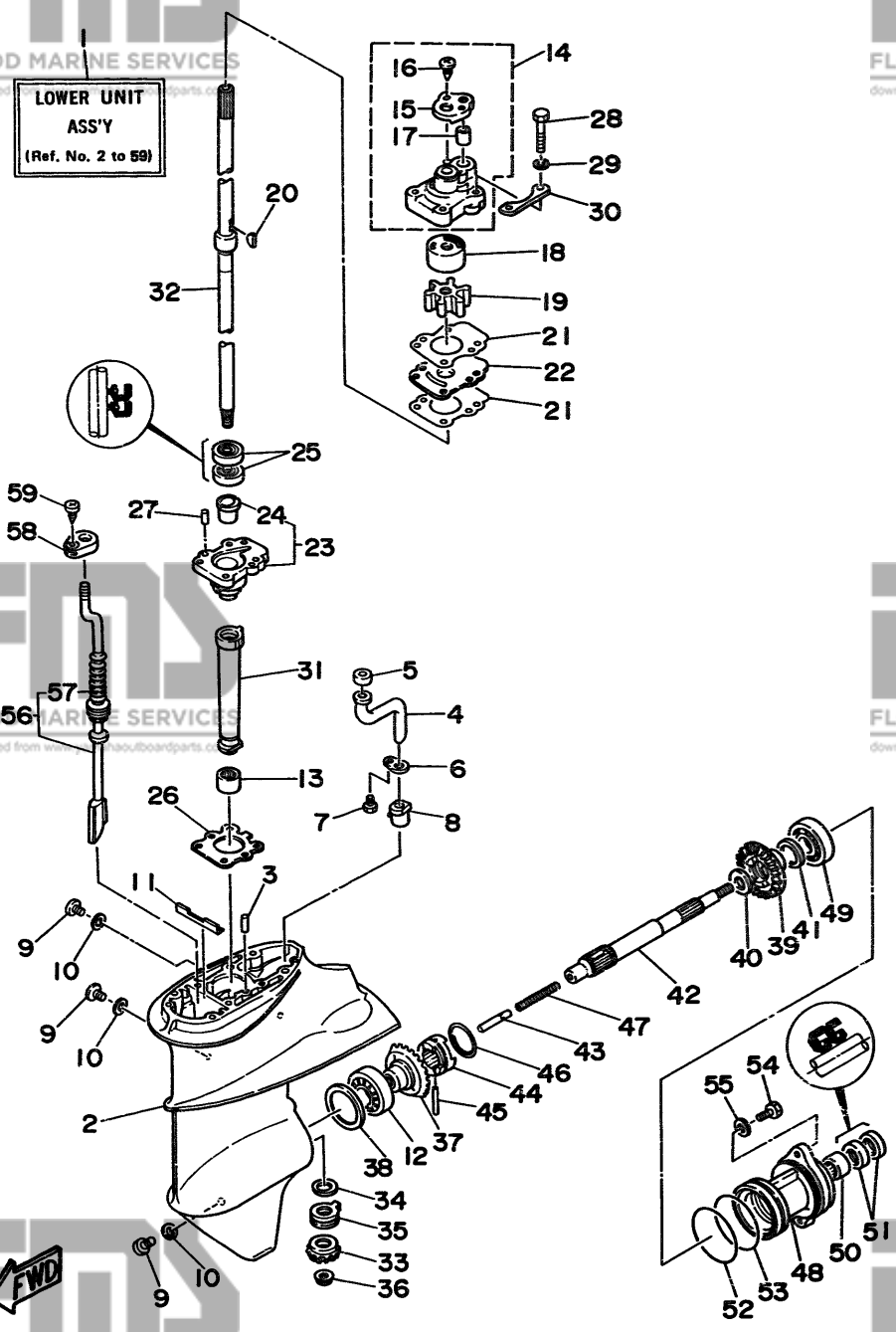
**Fig. 17 UPPER CASING**

Ref.No.	Parts No.	Description	Q'ty	Ref.No.	Parts No.	Description	Q'ty
1	6G8-41137-03-94	GUIDE, exhaust	1	15	6G8-45111-12-EJ	CASING, upper (Long)	1 UR
2	6E5-24377-00	PIPE, joint 3	1	16	6E5-82148-00	WIRE, lead 4	1
3	93210-08M60	O-RING	1	17	97395-06012	BOLT	1
4	6G8-44367-00	DAMPER, water seal	1	18	92990-06600	WASHER, plate	1
5	93101-13M27	OIL SEAL	1	19	6G8-45151-00	COVER, upper casing	1
6	93606-12019	PIN, dowel	2	20	6G8-45113-A0	GASKET, upper casing	1
7	97313-06020	BOLT	2	21	93606-12019	PIN, dowel	2
8	92990-06600	WASHER, plate	2	22	97395-08040	BOLT	6
9	6G8-45135-00	PIPE	1	23	92990-08600	WASHER, plate	6
10	6G8-42716-00	RUBBER, seal 1	1	24	6G8-42741-00-EJ	APRON	1
11	6G8-41131-01	MANIFOLD, ext. 1	1	25	6G8-42791-00	MARK 1	1
12	6G8-41138-00	SEAL, ext. 1	1	26	6G8-42771-00-EJ	APRON	1
13	90105-06M33	BOLT, washer based	4	27	6G8-42792-00	MARK	1
14	6G8-41133-A0	GASKET, exhaust manifold 1	1	28	90157-06M04	SCREW, pan head	2
15	6G9-45111-02-EJ	CASING, upper (Short)	1 UR	29	6G8-11355-00	SEAL, cylinder 1	1

Fig. 18 LOWER CASING. DRIVE 1

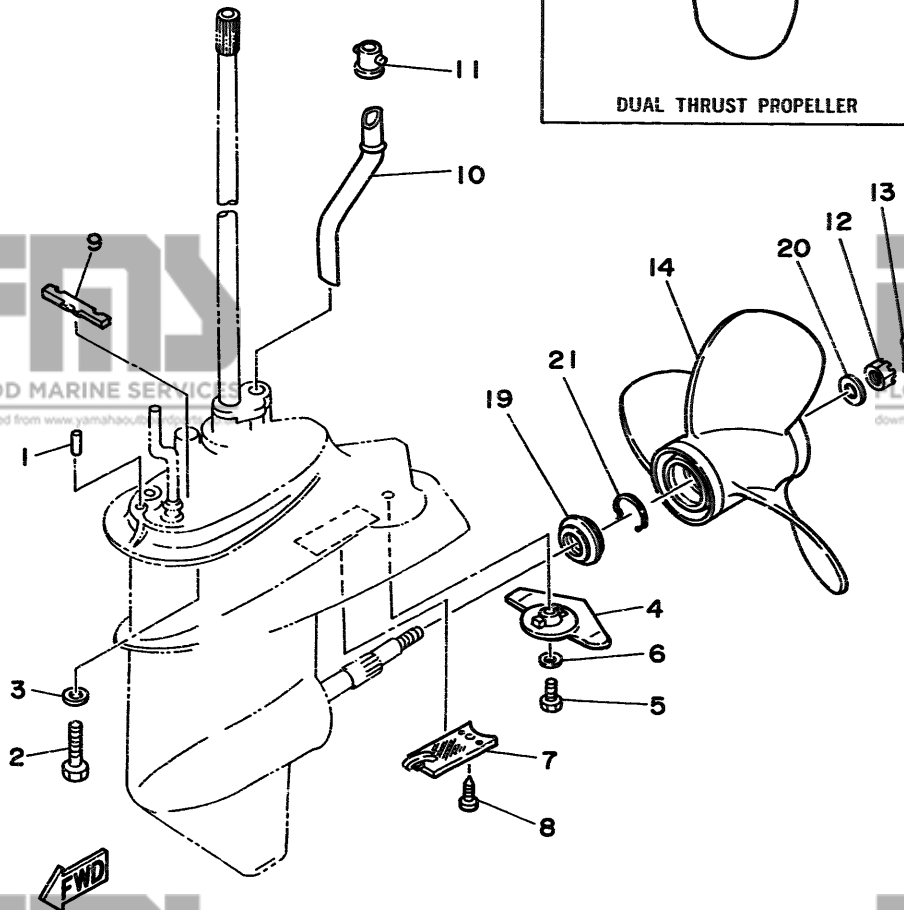
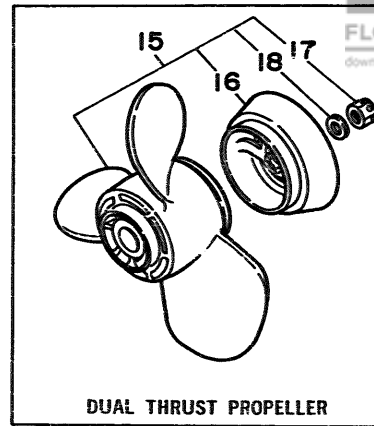
Ref.No.	Parts No.	Description	Q'ty	Ref.No.	Parts No.	Description	Q'ty
1	669-45300-05-EJ	LOWER UNIT ASSY (Short)	1 UR	34	6E7-45587-01-18	SHIM (T:0.18MM)	1 UR
	669-45300-15-EJ	LOWER UNIT ASSY (Long)	1 UR		6E7-45587-01-30	SHIM (T:0.30MM)	1 UR
2	6E8-45311-00-EJ	CASING, lower	1		6E7-45587-01-40	SHIM (T:0.40MM)	1 UR
3	93604-08062	PIN, dowel	1		6E7-45587-01-50	SHIM (T:0.50MM)	1 UR
4	683-44362-01	TUBE, water	1	35	93341-214U1	BEARING	1
5	683-44365-01	DAMPER, water seal	1	36	90179-08M06	NUT	1
6	683-44373-00	SET PLATE, water tube	1	37	6E7-45560-00	GEAR	1
7	97395-06010	BOLT	1	38	664-45567-01-10	SHIM (T:0.10MM)	1 UR
8	6E7-44366-00	DAMPER, water seal	1		664-45567-01-12	SHIM (T:0.12MM)	1 UR
9	90340-08M04	PLUG, straight screw	3		664-45567-01-15	SHIM (T:0.15MM)	1 UR
10	90430-08020	GASKET	3		664-45567-01-18	SHIM (T:0.18MM)	1 UR
11	682-45376-01	GUIDE, seal damper	1		664-45567-01-30	SHIM (T:0.30MM)	1 UR
12	93332-00005	BEARING	1		664-45567-01-40	SHIM (T:0.40MM)	1 UR
13	93315-314V8	BEARING, cylindrical	1		664-45567-01-50	SHIM (T:0.50MM)	1 UR
14	682-44300-01	HOUSING WATER PUMP ASSY	1	39	6E7-45571-00	GEAR	1
15	682-44312-00	.COVER, water pump housing	1	40	90201-17682	WASHER, plate	1
16	97780-40112	.SCREW, tapping	2	41	626-45577-00-01	SHIM (0.1T)	1 UR
17	682-44365-00	.DAMPER, water seal	1		626-45577-00-03	SHIM (0.3T)	1 UR
18	682-44322-00	INSERT, cartridge	1		626-45577-00-05	SHIM (0.5T)	1 UR
19	682-44352-01	IMPELLER	1	42	683-45611-00	SHAFT, propeller	1
20	90280-03024	KEY, woodruff	1	43	650-45635-00	PLUNGER, shift	1
21	682-44315-A0	GASKET, water pump	2	44	682-45631-00	CLUTCH, dog	1
22	682-44323-00	OUTER PLATE, cartridge	1	45	90250-05010	PIN, straight	1
23	6E7-45331-00-5B	HOUSING, bearing	1	46	648-45633-00	RING, cross pin	1
24	626-45316-09	.BUSHING, drive shaft	1	47	90501-14M06	SPRING, compression	1
25	93101-20048	OIL SEAL	2	48	683-45361-01-EJ	CAP, lower casing	1
26	683-45315-A0	PACKING, lower casing	1	49	93306-00501	BEARING (B6005)	1
27	93606-12019	PIN, dowel	2	50	93315-317U2	BEARING, cylindrical	1
28	97395-06040	BOLT	4	51	93101-17054	OIL SEAL	2
29	92990-06600	WASHER, plate	4	52	93210-57M09	O-RING	1
30	682-44328-00	PLATE	2	53	93210-56M80	O-RING	1
31	6E7-45536-00	SLEEVE, drive shaft	1	54	97395-06020	BOLT	2
32	6G9-45501-00	DRIVE SHAFT COMP. (Short)	1 UR	55	92990-06600	WASHER, plate	2
	6G9-45501-10	DRIVE SHAFT COMP. (Long)	1 UR	56	6G9-44150-00	SHIFT CAM ASSY (Short)	1 UR
33	6E7-45551-00	PINION	1		6G9-44150-10	SHIFT CAM ASSY (Long)	1 UR
34	6E7-45587-01-10	SHIM (T:0.10MM)	1 UR	57	682-44147-00	.BOOT, shift rod	1
	6E7-45587-01-12	SHIM (T:0.12MM)	1 UR	58	682-44176-00	BRACKET	1
	6E7-45587-01-15	SHIM (T:0.15MM)	1 UR	59	97780-50510	SCREW, tapping	1

LOWER UNIT ASS'Y (Ref. No. 2 to 59)



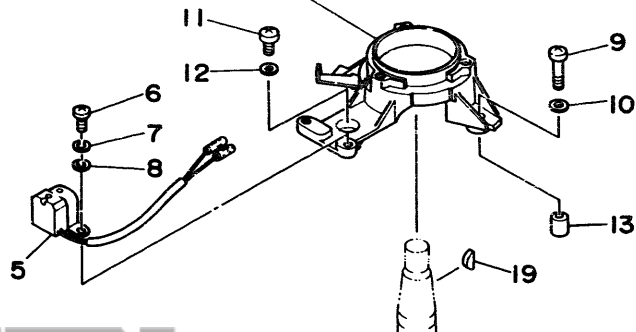
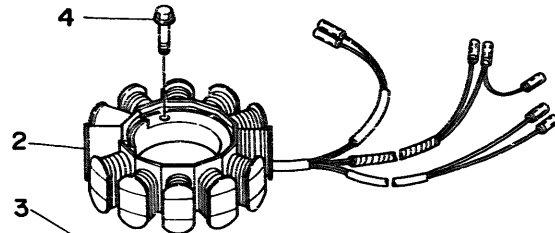
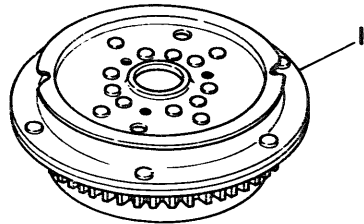
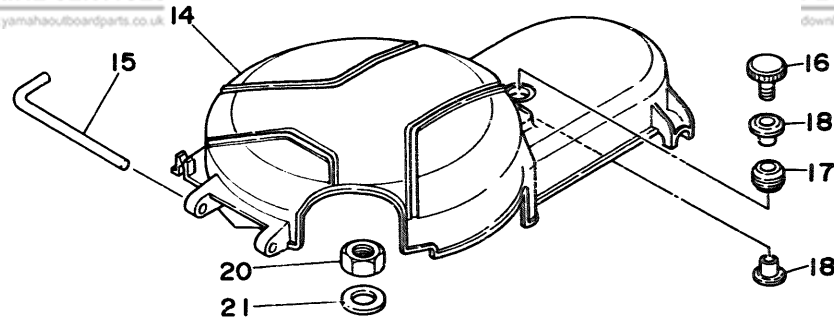
**Fig. 19 LOWER CASING. DRIVE 2**

Ref.No.	Parts No.	Description	Q'ty	Ref.No.	Parts No.	Description	Q'ty
1	93606-12019	PIN, dowel	2	14	683-45949-00-EL	PROPELLER (3X9-1/2"X6-1/2"-J)	1 UR
2	97090-08035	BOLT	4		683-45947-00-EL	PROPELLER (3X9-1/4"X8"-J)	1 UR
3	92990-08600	WASHER, plate	4		683-45945-00-EL	PROPELLER (3X9-1/4"X9"-J)	1 UR
4	6E8-45251-01	ANODE	1		683-45952-00-EL	PROPELLER (3X9-1/4"X9-3/4"-J)	1 UR
5	97395-06020	BOLT	1		683-45943-00-EL	PROPELLER (3X9-1/4"X10-1/2"-J)	1 UR
6	92990-06600	WASHER, plate	1		683-45941-00-EL	PROPELLER (3X9-1/4"X12"-J)	1 UR
7	6E7-45214-00	COVER, water inlet	1			DUAL THRUST PROPELLER	
8	98580-05012	SCREW, pan head	1	15	683-W4591-02-EL	PROPELLER (3X9-3/4"X8"-J)	1 UR
9	682-45375-01	DAMPER, seal	1		683-W4592-02-EL	PROPELLER (3X9-3/4"X6-1/2"-J)	1 UR
10	669-44361-00	TUBE, water (Short)	1 UR	16	6E7-45986-00	.RING, deflector	1
	668-44361-10	TUBE, water (Long)	1 UR	17	90171-10M07	.NUT, castle	1
11	626-44365-01	DAMPER, water seal	1	18	90201-10M02	.WASHER, plate	1
12	90171-10M01	NUT, castle	1	19	6G9-45987-00	SPACER	1
13	91490-30020	PIN, cotter	1 UR	20	90201-10M01	WASHER, plate	1
	91490-30030	PIN, cotter (For Dual Thrust Prop.)	1 UR	21	93450-10M05	CIRCLIP	1



**Fig. 20 GENERATOR**

Ref.No.	Parts No.	Description	Q'ty	Ref.No.	Parts No.	Description	Q'ty
1	6G8-85550-11	ROTOR ASSY	1	11	98580-06020	SCREW, pan head	1
	6G8-85550-10	ROTOR ASSY	1	12	92990-06600	WASHER, plate	1
2	6G9-85510-01	STATOR ASSY	1	13	99510-08012	PIN, dowel	2
	6G9-85510-00	STATOR ASSY	1	14	6G8-81337-00	COVER, flywheel	1
3	6G8-85561-00-94	BASE, magneto	1	15	6G8-42752-00	SHAFT	1
4	95023-06025	BOLT	3	16	6G8-81323-00	SCREW 1	1
5	6G8-85580-02	COIL, pulser	1	17	90480-15M31	GROMMET	1
6	98580-05012	SCREW, pan head	2	18	90387-06M71	COLLAR	2
7	92990-05100	WASHER, spring	2	19	90280-16053	KEY, woodruff	1
8	92990-05600	WASHER, plate	2	20	90170-12066	NUT	1
9	92580-06025	SCREW, pan head	2	21	90201-12472	WASHER, plate	1
10	92990-06600	WASHER, plate	2				

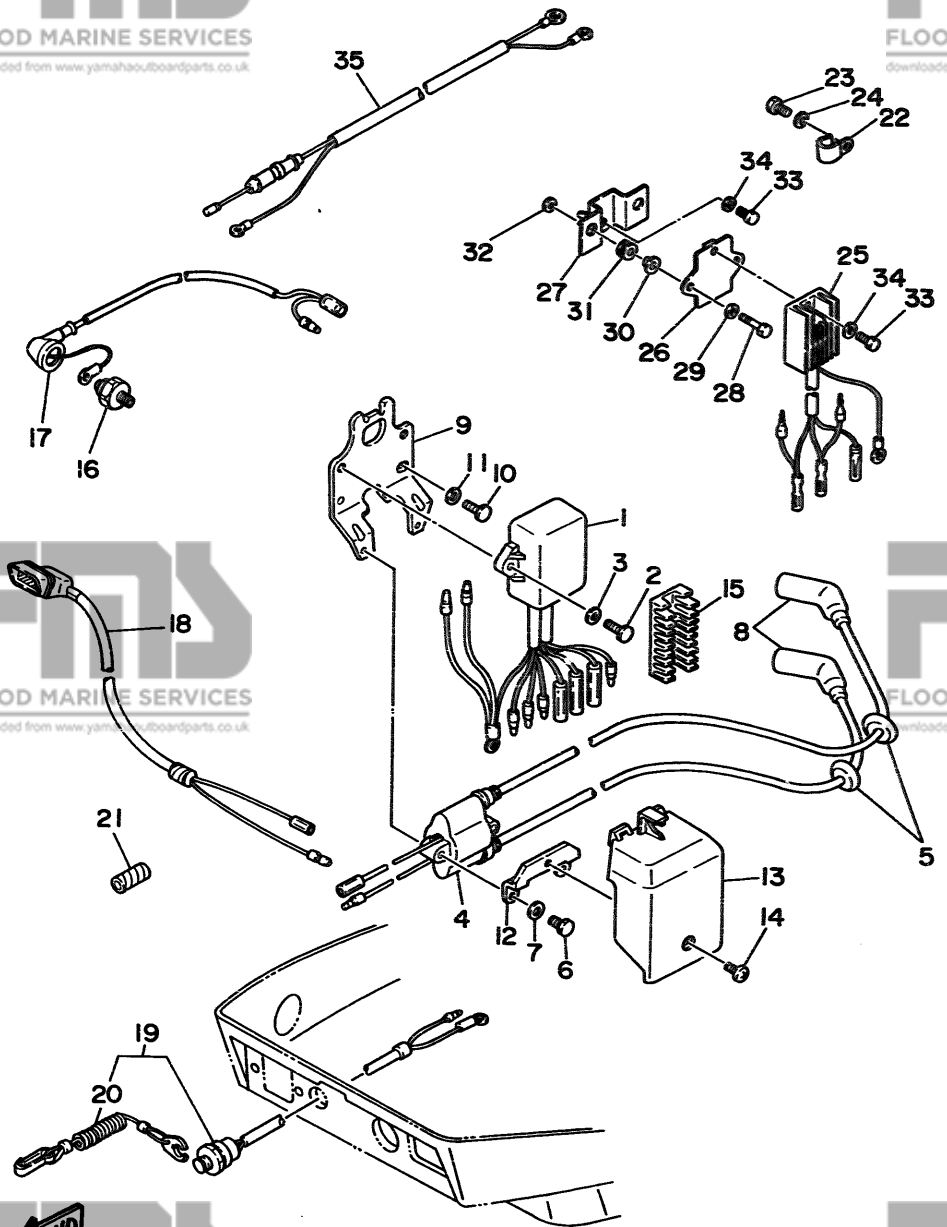


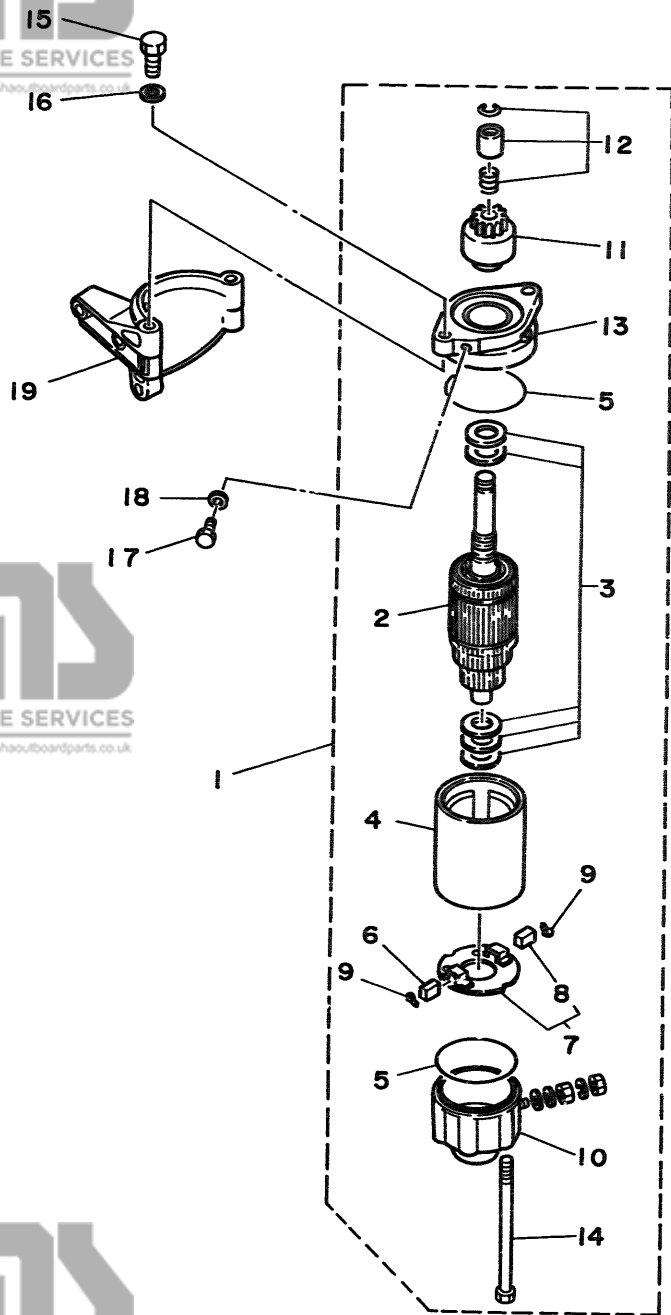
F9.9BM S:007848 and following, F8BM S:000258 and following  
 L:305049 and following, L:300907 and following  
 F9.9BM S:007847 and below  
 L:305048 and below

**Fig. 21 ELECTRIC PARTS**

Ref.No.	Parts No.	Description	Q'ty	Ref.No.	Parts No.	Description	Q'ty
1	6G9-85540-21	C.D.I. UNIT ASSY	1	19	6G9-82575-00	ENGINE STOP SWITCH ASSY	1
2	97395-06020	BOLT	2	20	682-82556-00	.STOPPER	1
3	92990-06600	WASHER, plate	2	21	90446-10M02	HOSE	1
4	6G8-85570-21	IGNITION COIL ASSY	1	22	90465-08028	CLAP	1
5	90480-25161	GROMMET	2	23	97013-06012	BOLT	1
6	97395-06025	BOLT	2	24	92990-06600	WASHER, plate	1
7	92990-06600	WASHER, plate	2	25	6J8-81960-00	RECTIFIER & REGULATOR ASSY	1
8	6G8-82370-20	PLUG CAP ASSY	2	26	6G9-81948-00	BRACKET	1
9	6G8-85542-00	BRACKET	1	27	6G8-81948-02	BRACKET	1
10	97395-06020	BOLT	2		6G8-81948-01	BRACKET	1
11	92990-06600	WASHER, plate	2	28	97395-06025	BOLT	1
12	6G8-85525-00	PLATE	1	29	92990-06600	WASHER	2
13	6G8-81916-00	COVER, terminal	1	30	90387-06M70	COLLAR	2
14	98980-06008	SCREW, bind	1	31	90480-13M24	GROMMET	2
15	6G8-82522-00	CLAMP, coupler	1	32	95303-06700	NUT	2
16	6G8-82504-00	OIL PRESSURE SWITCH ASSY	1	33	97313-06016	BOLT	2
17	6G8-82127-00	WIRE, lead 2	1	34	92990-06600	WASHER, plate	2
18	6G8-83582-01	PILOT LIGHT ASSY	1	35	6J8-82105-10	WIRE, harness	1 AP

F9.98M S:007848 and following  
L:305049 and following  
F88M S:000258 and following  
L:300907 and following  
F9.98M S:007847 and below  
L:305048 and below





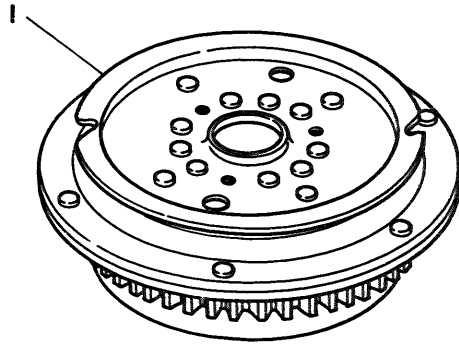
**Fig. 22 ELECTRIC MOTOR (F8BEM/F8BE/F9.9BEM/F9.9BE MODEL)**

Ref.No.	Parts No.	Description	Q'ty	Ref.No.	Parts No.	Description	Q'ty
1	6G8-81800-10	STARTING MOTOR ASSY	1	11	689-81807-12	.GEAR ASSY, starting motor	1
2	689-81850-11	.ARMATURE ASSY	1	12	689-81857-11	.RETAINER	1
3	689-81809-11	.WASHER KIT	1	13	6F5-81830-11	.FRONT BRACKET ASSY	1
4	689-81810-11	.STATOR ASSY	1	14	689-81826-10	.BOLT	2
5	689-81847-11	.O-RING	2	15	97013-08025	BOLT	2
6	689-81811-11	.BRUSH 1	1	16	92990-08600	WASHER, plate	2
7	689-81840-11	.BRUSH HOLDER ASSY	1	17	97395-08016	BOLT	1
8	689-81812-11	.BRUSH 2	1	18	92990-08600	WASHER, plate	1
9	689-81813-10	.SPRING, brush	2	19	6G8-81822-40-94	BRACKET, starting motor	1
10	689-81820-11	.REAR BRACKET ASSY	1				

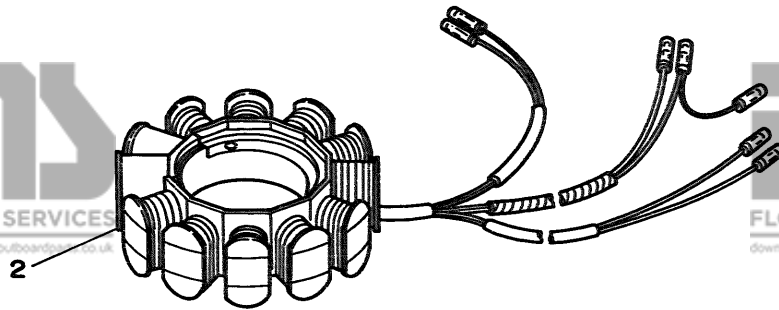


**Fig. 23 GENERATOR (F88EM/F88E/F9.9BEM/F9.9BE MODEL)**

Ref.No.	Parts No.	Description	Q'ty	Ref.No.	Parts No.	Description	Q'ty
1	668-85550-01	ROTOR ASSY	1	2	669-85510-01	STATOR ASSY	1
1	668-85550-00	ROTOR ASSY	1	1	669-85510-00	STATOR ASSY	1

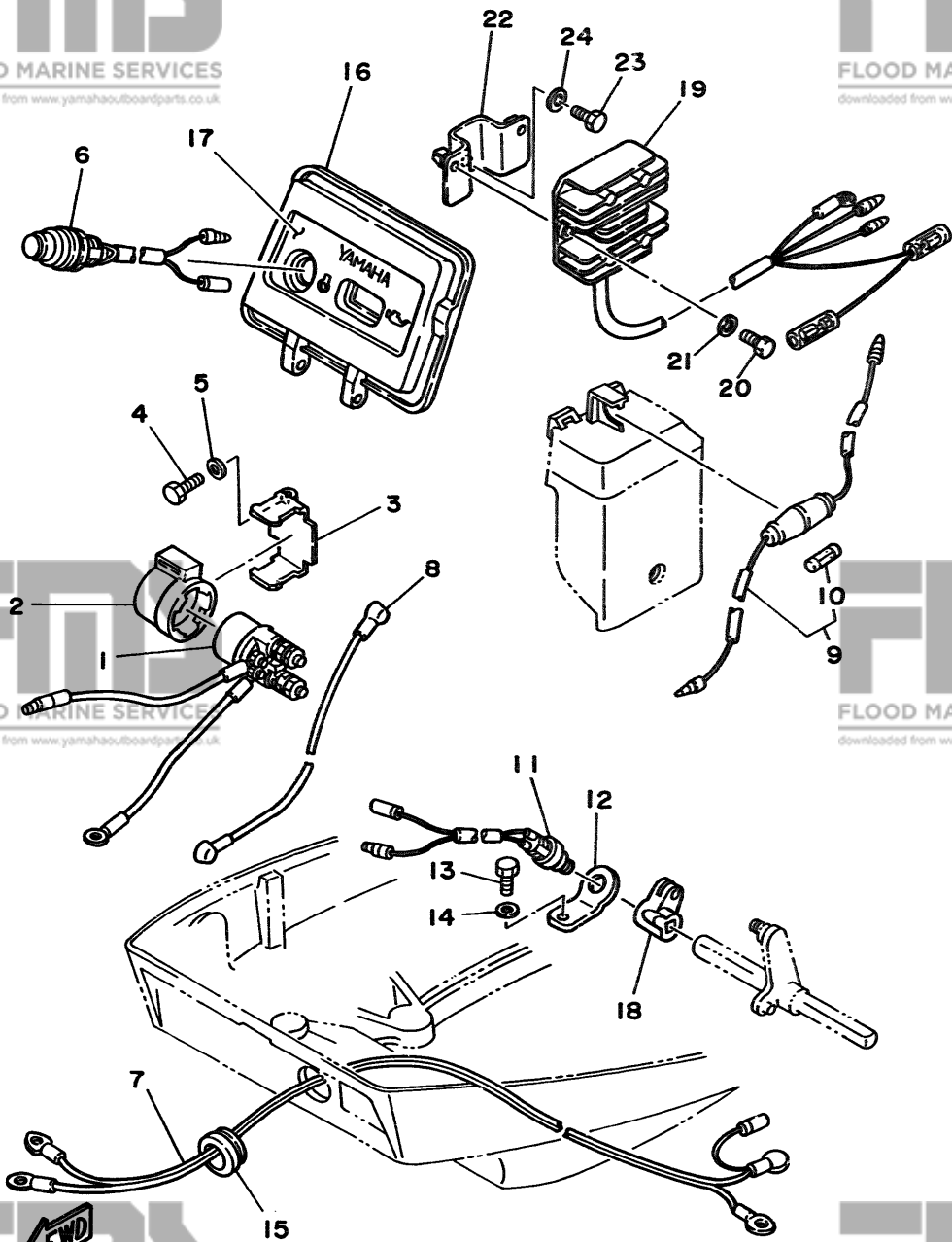


F9.9BEM S:200197 and following, E S:100806 and following  
 L:500250 and following, L:401293 and following  
 F88EM S:200116 and following, E S:100184 and following  
 L:500391 and following, L:400551 and following  
 F9.9BEM S:200196 and below, E S:100805 and below  
 L:500249 and below, L:401292 and below



**Fig. 24 ELECTRIC PARTS 1 (F8BEM/F9.9BEM MODEL)**

Ref.No.	Parts No.	Description	Q'ty	Ref.No.	Parts No.	Description	Q'ty
1	6J0-81941-10	STARTER RELAY ASSY	1	13	97013-06012	BOLT	1
2	6G1-81952-00	HOLDER, relay	1	14	92990-06600	WASHER, plate	1
3	6G8-81953-00	STAY, relay	1	15	6G8-42724-40	GROMMET	1
4	97013-06012	BOLT	1	16	6G8-W4261-10	PANEL, front upper	1
5	92990-06600	WASHER, plate	1	17	6G8-42677-10	GRAPHIC, front	1
6	6G8-81870-00	STARTING SWITCH ASSY	1	18	6G8-44125-00	LEVER, shift rod	1
7	6G8-82105-00	WIRE HARNESS	1	19	6G8-81960-A1	RECTIFIER & REGULATOR ASSY	1
8	6G8-82117-00	WIRE, lead	1	20	97313-06016	BOLT	2
9	6G8-82150-00	FUSE HOLDER ASSY	1	21	92990-06600	WASHER, plate	2
10	6B2-82151-00	FUSE (12V-20A)	1	22	6G8-81948-02	BRACKET	1
11	6H3-82540-00	NEUTRAL SWITCH ASSY	1	23	6G8-81948-01	BRACKET	1
12	6G8-82554-00	STAY, neutral switch	1	24	97313-06016	BOLT	1
					92990-06600	WASHER, plate	1



{ F9.9BEM S:200197 and following  
   L:500250 and following  
 - F8BEM S:200116 and following  
   L:500391 and following  
 - F9.9BEM S:200196 and below  
   L:500249 and below

Fig. 25 ELECTRIC PARTS 2 (F88E/F9.98E MODEL)

Ref.No.	Parts No.	Description	Q'ty	Ref.No.	Parts No.	Description	Q'ty
1	6G8-81960-A1	RECTIFIER & REGULATOR ASSY	1	24	6G8-82570-02	PANEL SWITCH ASSY	1
2	97313-06016	BOLT	2	25	6G8-82571-01	.PANEL, switch	1
3	92990-06600	WASHER, plate	2	26	688-82575-01	.ENGINE STOP SWITCH ASSY	1
4	6G8-81948-02	BRACKET	1	27	682-82556-00	..STOPPER	1
5	6G8-81948-01	BRACKET	1	28	663-82581-01	.STAY, cord clamp	1
6	92990-06600	WASHER, plate	1	29	6G8-83582-01	.PILOT LIGHT ASSY	1
7	6J0-81941-10	STARTER RELAY ASSY	1	30	6G8-82510-00	.MAIN SWITCH ASSY	1
8	6G1-81952-00	HOLDER, relay	1	31	98980-04008	.SCREW, bind	1
9	6G8-81953-00	STAY, relay	1	32	92903-04100	.WASHER, spring	1
10	97013-06012	BOLT	1	33	90149-05M05	SCREW	4
11	92990-06600	WASHER, plate	1	34	95303-05600	NUT	4
12	6G8-82117-00	WIRE, lead	1	35	92990-05100	WASHER, spring	4
13	6G8-82150-00	FUSE HOLDER ASSY	1	36	92990-05600	WASHER, plate	4
14	682-82151-00	.FUSE (12V-20A)	1	37	6G8-44125-00	LEVER, shift rod	1
15	6H3-82540-00	NEUTRAL SWITCH ASSY	1	38	6G8-W4261-10	PANEL, front upper	1
16	6G8-82554-00	STAY, neutral switch	1	39	6G8-42677-20	GRAPHIC, front	1
17	97013-06012	BOLT	1	40	6G8-42551-00	GROMMET	1
18	92990-06600	WASHER, plate	1	41	90387-06M73	COLLAR	1
19	6G8-82580-00	WIRE HARNESS ASSY 2	1	42	93430-04M03	CIRCLIP	1
20	6G8-82590-00	.WIRE HARNESS ASSY	1	43	92990-06600	WASHER, plate	2
21	6G8-82105-00	.WIRE HARNESS	1	44	6G8-48351-51	SEAL, rubber	1
22	6G8-42724-50	.GROMMET	1	45	6G8-26363-00	END, cable	1
23	688-82586-50	EXTENSION, wireharness (L:5M 7P)	1	46	6G8-26364-00	END, cable 2	1

F9.98E S:100806 and following  
L:401293 and following  
F88E S:100184 and following  
L:400551 and following  
F9.98E S:100805 and below  
L:401292 and below

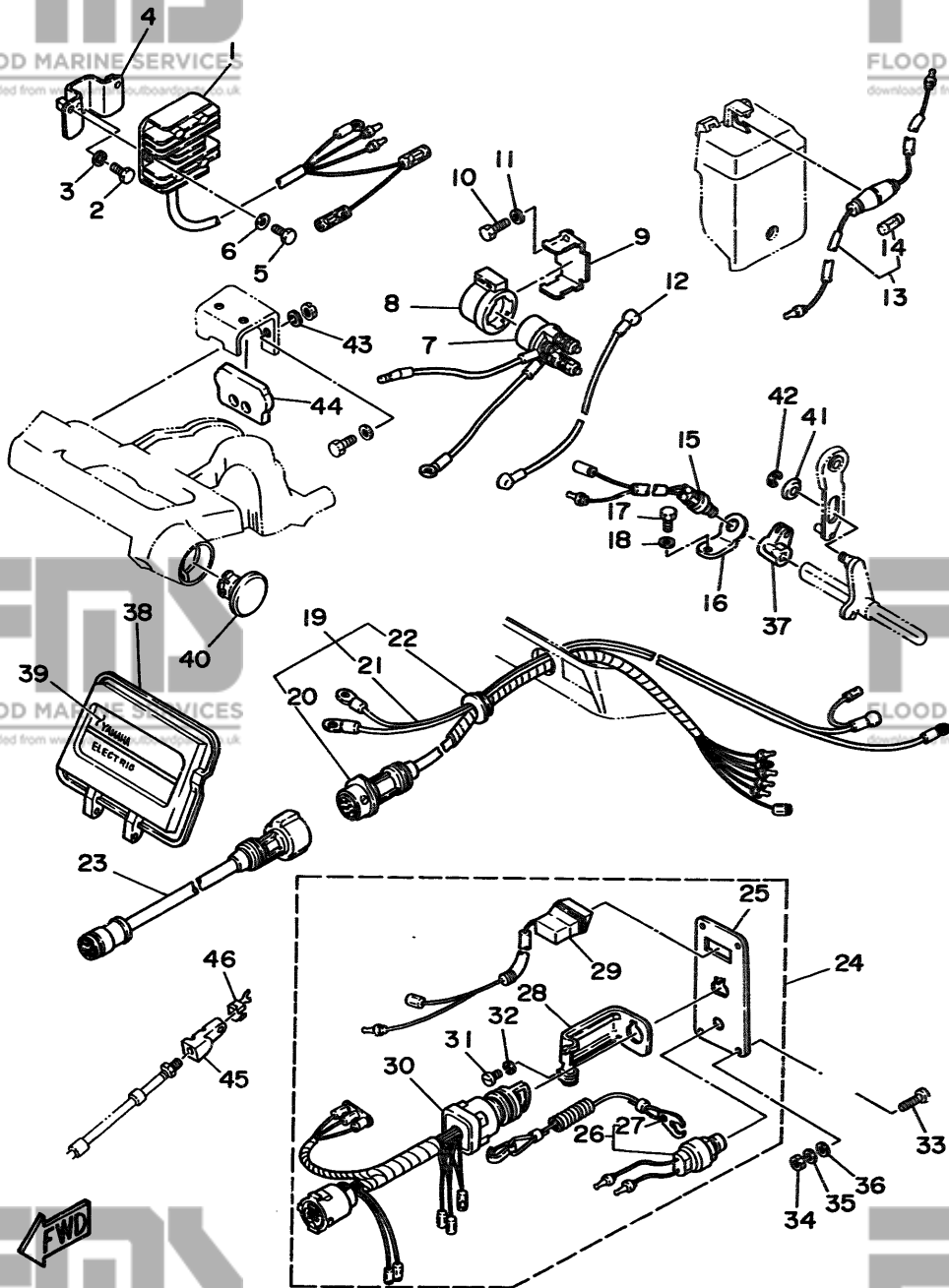
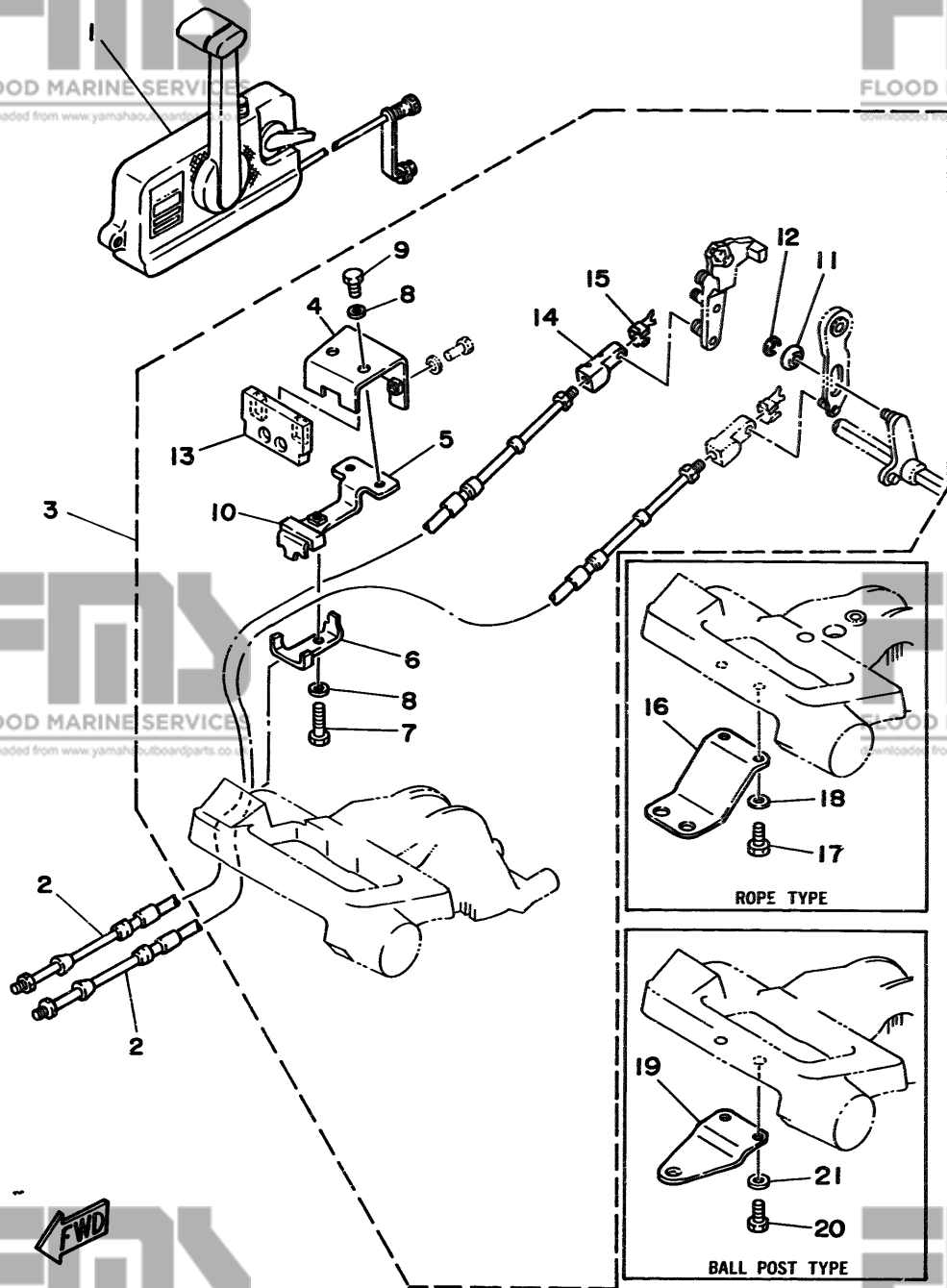
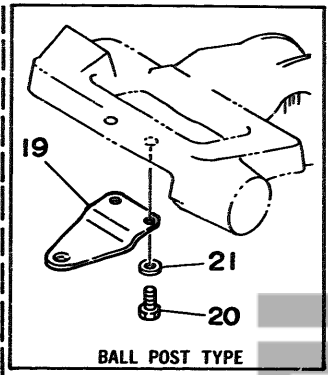
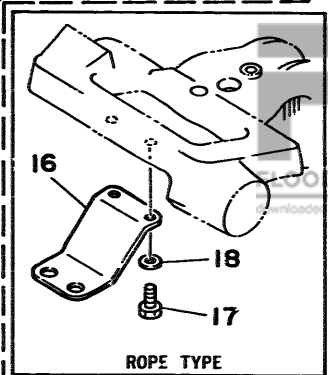


Fig. 26 REMOTE CONTROL

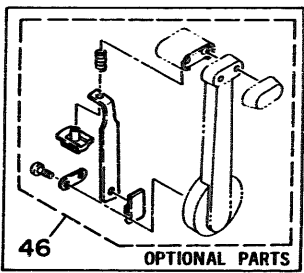
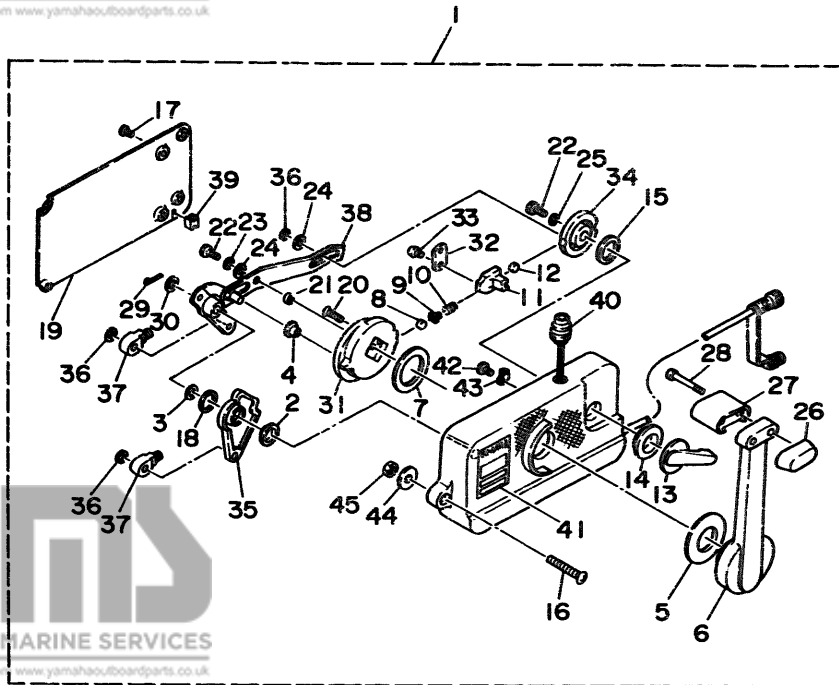


Ref.No.	Parts No.	Description	Q'ty	Ref.No.	Parts No.	Description	Q'ty
1	701-48101-10	REMOTE CONTROL ASSY (See Fig. 27)	1	3	6G8-48501-03	REMOTE CONT. ATTACHMENT ASSY.	1
2	701-48310-10	CABLE, remote control (L:6F)	2	4	6G8-48531-51	.BRACKET, remote control 1	1
	701-48310-20	CABLE, remote control (L:7F)	2	5	6G8-48532-50	.BRACKET, remote control 2	1
	701-48310-40	CABLE, remote control (L:8F)	2	6	6G8-48538-50	.CLAMP, cable 1	1
	701-48310-60	CABLE, remote control (L:9F)	2	7	97395-06030	.BOLT	1
	701-48310-80	CABLE, remote control (L:10F)	2	8	92990-06600	.WASHER, plate	3
	701-48310-90	CABLE, remote control (L:11F)	2	9	97395-06012	.BOLT	2
	701-48320-00	CABLE, remote control (L:12F)	2	10	6G8-48565-50	.GROMMET	1
	701-48320-20	CABLE, remote control (L:13F)	2	11	90387-06M73	.COLLAR	1
	701-48320-30	CABLE, remote control (L:14F)	2	12	93430-04M03	.CIRCLIP	1
	701-48320-50	CABLE, remote control (L:15F)	2	13	6G8-48351-51	.SEAL, rubber	1
	701-48320-60	CABLE, remote control (L:15F)	2	14	6G8-26363-00	.END, cable	1
	701-48320-80	CABLE, remote control (L:17F)	2	15	6G8-26364-00	.END, cable 2	1
	701-48320-90	CABLE, remote control (L:18F)	2	16	6G8-48511-00	HOOK, steering (Rope Type)	1 AP
	701-48320-40	CABLE, remote control (L:19F)	2	17	97395-06016	BOLT	2
	701-48320-70	CABLE, remote control (L:20F)	2	18	92990-06600	WASHER, plate	2
	701-48350-00	CABLE, remote control (L:21F)	2	19	6G8-48511-10	HOOK, steering (Ball Post Type)	1 AP
	701-48350-10	CABLE, remote control (L:22F)	2	20	97395-06016	BOLT	2
	701-48350-20	CABLE, remote control (L:23F)	2	21	92990-06600	WASHER, plate	2



**Fig. 27 REMOTE CONTROL ASSY**

Ref.No.	Parts No.	Description	Q'ty	Ref.No.	Parts No.	Description	Q'ty
1	701-48101-10	REMOTE CONTROL ASSY	1	24	701-48246-00	.SPACER	2
2	701-48235-00	.BUSHING	1	25	92990-06300	.WASHER, internal tooth	1
3	701-48197-10	.WASHER, wave	1	26	701-48229-00	.GRIP, control lever	1
4	701-48252-00	.ROLLER, cam	1	27	701-48222-00	.GRIP, control lever	1
5	701-48234-00	.BUSHING 1	1	28	701-48282-00	.SCREW	2
6	701-48221-00	.LEVER, control	1	29	701-48239-00	.SET PIN, plate	1
7	701-48196-11	.WASHER, wave	1	30	701-48266-00	.SPACER	1
8	701-48236-00	.ROLLER, detent	1	31	701-48232-00	.GEAR	1
9	702-48237-00	.ADAPTOR	1	32	701-48189-11	.RETAINER	1
10	702-48236-00	.SPRING, detent	1	33	98580-05010	.SCREW, pan head	2
11	701-48249-00	.ADAPTOR, spring	1	34	701-48153-12	.SHAFT, free accel.	1
12	701-48248-00	.ROLLER, free accel.	1	35	701-48271-00	.ARM, shift	1
13	701-48152-11	.KNOB, free accel.	1	36	93430-06024	.CIRCLIP	3
14	701-48243-00	.BUSHING	1	37	703-48345-01	.CABLE END, remote control 2	2
15	701-48198-10	.WASHER, wave	1	38	701-48261-00	.ARM, throttle	1
16	701-48281-00	.SCREW	3	39	701-48358-00	.ANCHOR, cable	1
17	98580-05010	.SCREW, pan head	4	40	701-82550-50	ENGINE STOP SWITCH ASSY	1
18	701-48268-00	.SPACER	1	41	701-48126-00	.GRAPHIC	1
19	701-48213-00	.PLATE	1	42	701-48283-00	.SCREW	1
20	92780-06025	.SCREW, flat head	2	43	701-82594-00	.CLAMP	1
21	701-48255-00	.COLLAR	1	44	701-48287-00	.WASHER	3
22	97395-06018	.BOLT	2	45	95380-06600	.NUT	3
23	702-48288-00	.WASHER, plain	1	46	701-48280-00	NEUTRAL LOCK KIT	1 AF



**FWD**

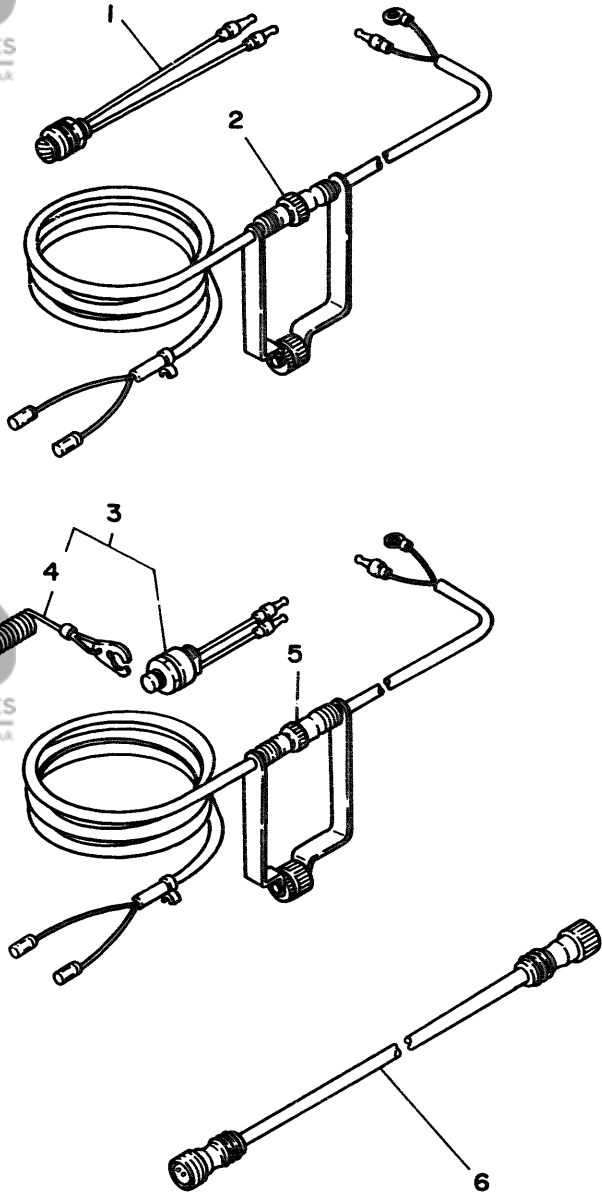
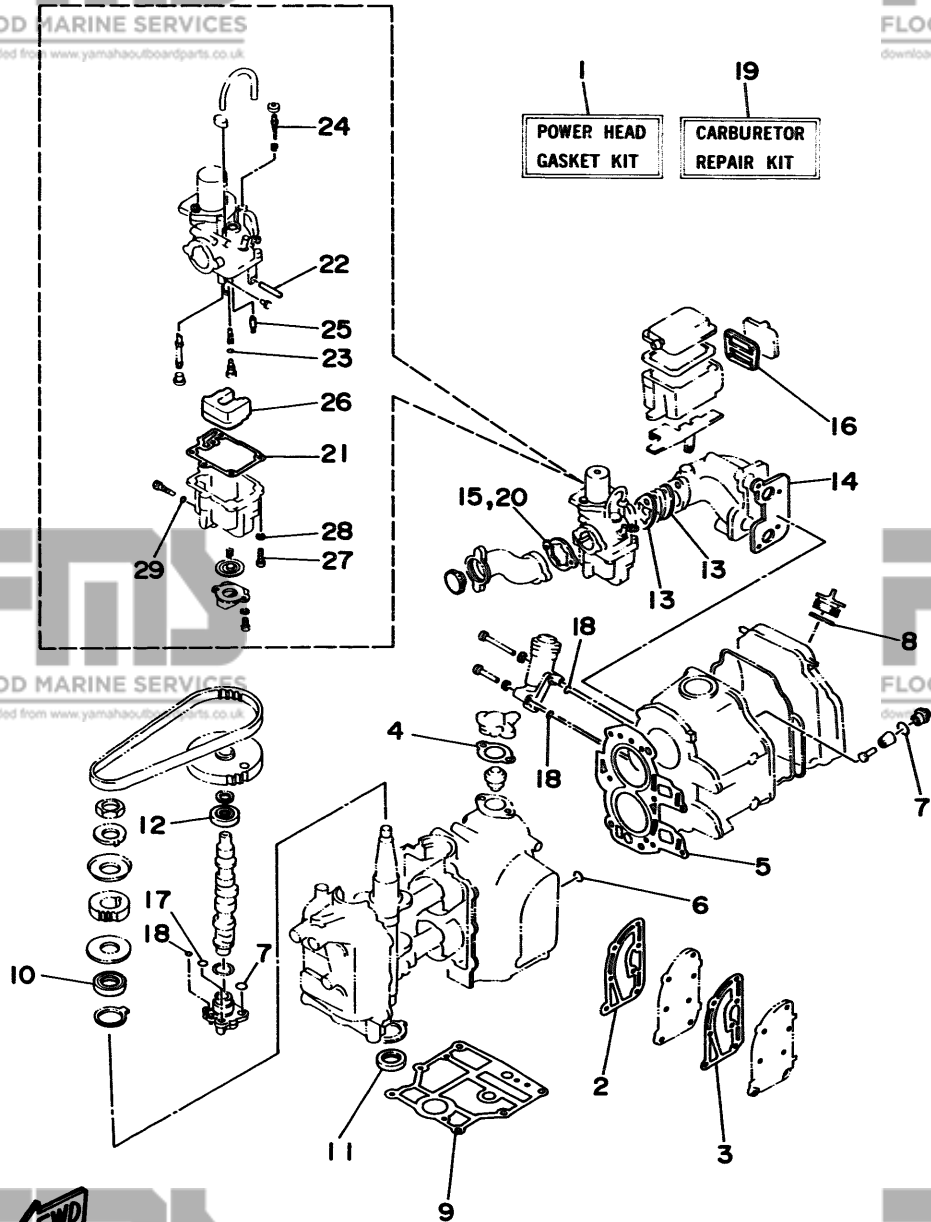


Fig. 28 OPTIONAL PARTS

Ref.No.	Parts No.	Description	Q'ty	Ref.No.	Parts No.	Description	Q'ty
1	689-82550-11	ENGINE STOP SWITCH ASSY (5m)	1	4	682-82556-00	.STOPPER	1
2	6A0-82553-20	EXTENSION, wire lead	1	5	6A0-82553-20	EXTENSION, wire lead	1
3	689-82575-12	ENGINE STOP SWITCH ASSY (5m)	1	6	689-82553-10	EXTENSION, wire lead	1

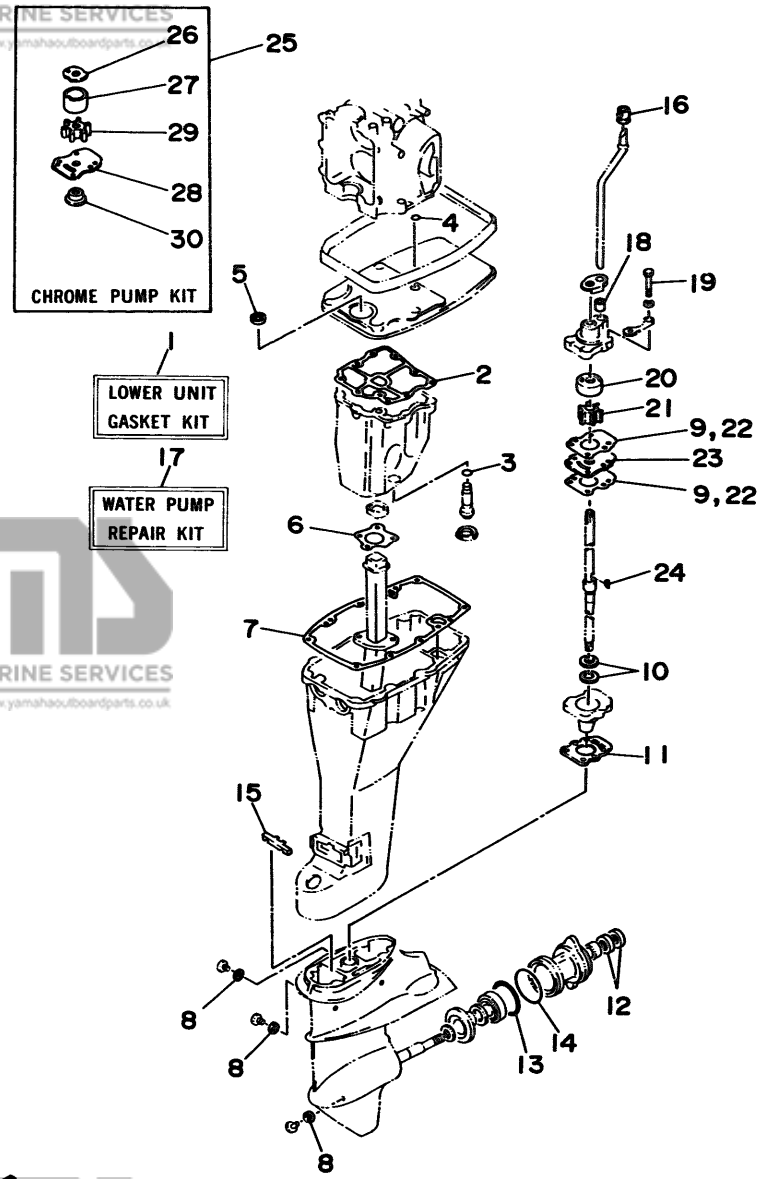
Fig. 29 REPAIR KIT 1

Ref.No.	Parts No.	Description	Q'ty	Ref.No.	Parts No.	Description	Q'ty
1	668-W0001-03	POWER HEAD GASKET KIT	1	16	668-15374-00	.GASKET, breather	1
2	668-41112-02	.GASKET, exhaust inner cover	1	17	93210-10M61	.O-RING	1
3	668-41114-00	.GASKET, exhaust outer cover	1	18	93210-09M01	.O-RING	3
4	668-12414-A0	.GASKET, cover	1	19	668-W0093-01	CARBURETOR REPAIR KIT	1
5	668-11181-A0	.GASKET, cylinder head 1	1	20	668-14198-A0	.GASKET	1
6	93210-11M59	.O-RING	1	21	668-14384-01	.GASKET, float chamber	1
7	93210-13M63	.O-RING	3	22	647-14386-10	.PIN, float	1
8	93210-25070	.O-RING	1	23	654-14198-00	.GASKET	1
9	668-11351-A0	.GASKET, cylinder	1	24	668-14323-00	.SCREW, air adjusting	1
10	93102-30M22	.OIL SEAL	1	25	668-14392-00	.VALVE, needle	1
11	93101-25M24	.OIL SEAL	1	26	668-14385-00	.FLOAT	1
12	93102-18M21	.OIL SEAL	1	27	98503-04014	.SCREW, pan head	1
13	668-13646-A0	.GASKET, manifold 2	2	28	92990-04100	.WASHER, spring	1
14	668-13645-00	.GASKET, manifold 1	1	29	5Y1-14397-00	.O-RING	1
15	668-14198-A0	.GASKET	1				



**Fig. 30 REPAIR KIT 2**

Ref.No.	Parts No.	Description	Q'ty	Ref.No.	Parts No.	Description	Q'ty
1	6G9-W0001-24	LOWER UNIT GASKET KIT	1	16	626-44365-01	.DAMPER, water seal	1
2	6G8-15312-AT	.GASKET, oil pan	1	17	682-W0078-01	WATER PUMP REPAIR KIT	1
3	93210-16M64	.O-RING	1	18	682-44365-00	.DAMPER, water seal	1
4	93210-08M60	.O-RING	1	19	97395-06040	.BOLT	4
5	93101-13M27	.OIL SEAL	1	20	682-44322-00	.INSERT, cartridge	1
6	6G8-41133-A0	.GASKET, exhaust manifold 1	1	21	682-44352-01	.IMPELLER	1
7	6G8-45113-A0	.GASKET, upper casing	1	22	682-44315-A0	.GASKET, water pump	2
8	90430-08020	.GASKET	3	23	682-44323-00	.OUTER PLATE, cartridge	1
9	682-44315-A0	.GASKET, water pump	2	24	90280-03024	.KEY, woodruff	1
10	93101-20048	.OIL SEAL	2	25	682-W0078-0A	CHROME PUMP KIT	1
11	683-45315-A0	.PACKING, lower casing	1	26	682-44321-40	.INNER PLATE, cartridge	1
12	93101-17054	.OIL SEAL	2	27	682-44322-40	.INSERT, cartridge	1
13	93210-57M99	.O-RING	1	28	682-44323-40	.OUTER PLATE, cartridge	1
14	93210-56M80	.O-RING	1	29	682-44352-01	.IMPELLER	1
15	692-45375-01	.DAMPER, seal	1	30	682-45344-00	.COVER, oil seal	1







FLOOD MARINE SERVICES

downloaded from www.yamahaaoutboardparts.co.uk

PART NO.	REF. NO.
6G8-W0001-03	29- 1
6G9-W0001-24	30- 1
6G9-W0070-22	11- 9
682-W0078-0A	30-25
682-W0078-01	30-17
6G9-W0084-81-EJ	15-19
6J7-W0084-81-EJ	15-19
6G8-W0090-30-EJ	1- 1
6G8-W0093-01	29-19
6Y4-W2420-80-24	10- 1
676-W2810-00	10-18
6G8-W4261-00	12-28
6G8-W4261-10	24-16
	25-38
683-W4591-02-EL	19-15
683-W4592-02-EL	19-15
6G8-11111-02-94	1-22
6G8-11133-10	1-23
6G8-11181-A0	1-33
	29- 5
6G8-11191-01-94	1-35
6G8-11197-00	1-44
6G8-11325-00	1-42
6G8-11351-A0	1- 6
	29- 9
6G8-11355-00	17-29
6G8-11356-00	1-39
6G8-11372-01	1-26
676-11372-00	1-25
	1-38
6G8-11411-04	2- 1
6G8-11416-00	2- 4
6G8-11416-10	2- 4
6G8-11416-20	2- 4
6G8-11426-00	2- 8
6G8-11536-00-94	6- 2
6G8-11537-00-94	6- 6
6G8-11557-00	6- 3
6G8-11575-00	7- 1
6G8-11587-00	6- 5
6G8-11610-02	2-10
6G8-11610-12	2-10
6G8-11610-22	2-10
6G8-11631-03-96	2- 9
634-11633-00	2-11
6G8-11635-03	2- 9
6G8-11636-03	2- 9
6G8-11650-03	2- 5



FLOOD MARINE SERVICES

downloaded from www.yamahaaoutboardparts.co.uk

NUMERICAL INDEX

PART NO.	REF. NO.
6G8-11654-00	2- 6
6G8-12111-00	3- 1
6G8-12113-00	3- 4
6G8-12116-00	3- 3
6G8-12117-00	3- 5
6G8-12117-10	3- 7
30X-12118-00	3- 6
51Y-12119-00	3- 9
6G8-12121-01	3- 2
6G8-12146-00	3-13
6G8-12151-00	3-10
6G8-12153-00	3- 8
6G8-12158-00	3-12
6G8-12159-00	3-11
6G8-12171-00	6-11
6G8-12411-02	1-15
6G8-12413-00-94	1-16
6G8-12414-A0	1-18
	29- 4
6G8-12481-00	1-27
6G8-12482-00	12- 9
6G8-13300-02	6-13
6G8-13421-00	7-12
6G8-13440-00	6-21
6G8-13442-00-94	6-20
6G8-13471-00	7-15
6G8-13487-00	7- 4
6G8-13641-01-94	4- 6
6G8-13645-00	4- 7
	29-14
6G8-13646-A0	4- 1
	29-13
6G8-13647-00	4- 5
6G8-1410A-00	5-24
1HV-14147-00	5-19
6G8-14197-01	5-16
6G8-14198-A0	4-14
	29-15
	29-20
646-14198-01	5-33
654-14198-00	5- 6
	29-23
646-14212-01	5-21
6G8-14216-00	5-10
6G8-14217-00	5-35
6G8-14275-00	5-31
6G8-14293-01	5-36
6G8-14301-02	5- 1



FLOOD MARINE SERVICES

downloaded from www.yamahaaoutboardparts.co.uk

PART NO.	REF. NO.
6J6-14301-03	5- 1
6G8-14323-00	5-13
	29-24
647-14334-00	5-11
6G8-14341-10	5- 9
6G8-14342-22	5- 5
648-14343-42	5- 8
6A4-14344-25	5-26
6G8-14345-00	5- 7
6G8-14349-00	5-34
6G8-14368-00	5-30
6G8-14381-01	5- 3
6G8-14383-00	5-28
6G8-14384-01	5- 2
	29-21
6G8-14385-00	5-15
	29-26
647-14386-10	5- 4
	29-22
6G8-14392-00	5-14
	29-25
5Y1-14397-00	5-27
	29-29
6G8-14478-00	4-13
6G8-14479-01-94	4-12
6G8-14493-00	16-20
6J6-14493-00	16-20
6G8-14827-00	5-25
6G8-14997-00	5-12
6G8-15100-05-94	1- 2
6G8-15311-02-0D	7- 7
6G8-15312-A1	7- 8
	30- 2
6G8-15316-00	7-13
6G8-15346-00	4-23
6G8-15347-00	4-24
6G8-15358-00	4-17
6G8-15362-04	7-17
6G8-15363-00	1-46
6G8-15368-00-94	4-19
6G8-15369-00	4-20
6G8-15371-00-94	4-22
6G8-15373-00	1-37
6G8-15374-00	4-27
	29-16
6G8-15376-00	4-33
6G8-15379-00	7- 3
6G8-15393-00	4-30



FLOOD MARINE SERVICES

downloaded from www.yamahaaoutboardparts.co.uk

E5

PART NO.	REF. NO.
6G8-15710-10	8- 1
6G8-15711-00	8- 2
6G8-15712-00	8-30
6G8-15713-00	8- 4
6G8-15714-00	8- 3
6G8-15715-00	8- 7
6G8-15716-00	8-27
6G8-15719-00	8- 5
6G8-15723-00	8- 6
6G8-15726-00	8-21
6G8-15727-00	8- 9
6G8-15734-00	8-25
6G8-15739-00	8-17
6G8-15742-00	8-33
6G8-15746-00	8-23
6G8-15747-00	8-26
6F5-15752-00	8-12
663-15753-00	8-13
6G8-15754-00	8- 8
6G1-15755-00	8-34
6G8-15767-00	8-24
6G8-15768-00	8-10
6G8-15770-00	8-38
6G8-15771-00	8-39
6G8-15772-00	8-42
6G8-15779-00	8-31
689-15779-01	8-35
6G8-15789-00	8-32
663-15791-00	8-14
6G8-15794-00	8-22
6Y1-24246-00	10- 2
646-24251-02	9- 6
6Y1-24256-80	10- 9
6Y1-24257-00	10- 3
6Y1-24268-00	10- 6
6Y4-24275-80	10- 5
6G1-24304-02	9- 1
6G1-24305-00	10-11
6Y4-24306-80	10-10
6G8-24311-00	9- 5
6G8-24329-00	9- 2
6Y1-24329-00	10- 8
650-24351-01	10-13
	10-17
6Y1-24360-02	10-15
6E5-24377-00	1-17
	17- 2
6G8-24410-02	9- 9



FLOOD MARINE SERVICES

downloaded from www.yamahaaoutboardparts.co.uk

PART NO.	REF. NO.
6G8-24411-02	9-11
6G8-24421-00	9-10
6Y1-24610-12	10- 4
6G8-26363-00	16-10
	25-45
	26-14
6G8-26364-00	16-11
	25-46
	26-15
6G8-41111-02-9M	1- 7
6G8-41112-02	1- 8
	29- 2
6G8-41113-01-9M	1-10
6G8-41114-00	1- 9
	29- 3
6G8-41131-01	17-11
6G8-41133-A0	17-14
	30- 6
6G8-41137-03-94	17- 1
6G8-41138-00	17-12
6G8-41212-00	16-12
6G8-41237-01	16-18
6G8-41238-01	16-15
6G8-41241-01	16-16
6G8-41242-01	16-19
6G8-41654-00	16- 8
6G8-41661-00-98	16- 3
6G8-41662-00-98	16- 4
6G8-41663-00	16- 5
6G9-42111-02-EJ	15- 1
6G9-42112-01-EJ	15- 2
6G8-42119-00	15-10
6G8-42126-01-94	15- 4
6G8-42137-01	15-11
6J6-42137-00	15-11
6G8-42177-00	15-13
6G9-42511-01-EJ	13-26
6G8-42521-10-94	13-31
6G9-42521-00-94	13-31
6G8-42528-00	13-21
6G8-42534-00	13-27
6G8-42537-00	13-33
6G8-42551-00	25-40
6G9-42610-23-EJ	11- 1
6J7-42610-23-EJ	11- 1
6G8-42613-00-EJ	11- 6
6G8-42615-00	11- 2
6G8-42628-01	11-11



FLOOD MARINE SERVICES

downloaded from www.yamahaaoutboardparts.co.uk



FLOOD MARINE SERVICES

downloaded from www.yamahaaoutboardparts.co.uk

NUMERICAL INDEX

PART NO.	REF. NO.	PART NO.	REF. NO.	PART NO.	REF. NO.	PART NO.	REF. NO.	PART NO.	REF. NO.	PART NO.	REF. NO.	PART NO.	REF. NO.
669-43643-00	14-21	668-44517-00-94	13-37	626-45577-00-05	18-41	701-48266-00	27-30	689-81812-11	22- 8	6A0-82553-20	28- 5		
682-43659-00	14-17	668-44518-00	13-47	6E7-45587-01-10	18-34	701-48268-00	27-18	689-81813-10	22- 9	689-82553-10	28- 6		
669-43681-00	14-20	668-44521-00	13-50	6E7-45587-01-12	18-34	701-48271-00	27-35	689-81820-11	22-10	668-82554-00	24-12		
668-44111-00	16-21	668-44522-00	13-45	6E7-45587-01-15	18-34	701-48280-00	27-46	688-81822-40-94	22-19		25-16		
669-44111-00-98	16-22	668-44526-00	13-38	6E7-45587-01-18	18-34	701-48281-00	27-16	689-81826-10	22-14	682-82556-00	21-20		
682-44116-00	16-29	668-44532-00	13-51	6E7-45587-01-30	18-34	701-48282-00	27-28	6F5-81830-11	22-13		25-27		
682-44117-00	16-30	668-44533-00	13-48	6E7-45587-01-40	18-34	701-48283-00	27-42	689-81840-11	22- 7		28- 4		
668-44125-00	8-43	668-44551-01-EJ	13-52	6E7-45587-01-50	18-34	701-48287-00	27-44	689-81847-11	22- 5	668-82570-02	25-24		
	24-18	668-44552-02-EJ	13-53	683-45611-00	18-42	702-48288-00	27-23	689-81850-11	22- 2	668-82571-01	25-25		
	25-37	682-44555-00	13-60	682-45631-00	18-44	701-48310-10	26- 2	689-81857-11	22-12	669-82575-00	21-19		
682-44132-00	16-26	668-44557-00	13-59	648-45633-00	18-46	701-48310-20	26- 2	668-81870-00	24- 6	688-82575-01	25-26		
668-44141-00	16-27	668-45111-12-EJ	17-15	650-45635-00	18-43	701-48310-40	26- 2	668-81916-00	21-13	689-82575-12	28- 3		
668-44143-10	16-32	669-45111-02-EJ	17-15	683-45941-00-EL	19-14	701-48310-60	26- 2	6J0-81941-10	24- 1	668-82580-00	25-19		
669-44143-00	16-32	668-45113-A0	17-20	683-45943-00-EL	19-14	701-48310-80	26- 2		25- 7	663-82581-01	25-28		
682-44147-00	18-57		30- 7	683-45945-00-EL	19-14	701-48310-90	26- 2	668-81948-01	21-27	688-82586-50	25-23		
669-44150-00	18-56	663-45119-00	13-20	683-45947-00-EL	19-14	669-48311-02	16- 1		24-22	668-82590-00	25-20		
669-44150-10	18-56	668-45127-00	7- 9	683-45949-00-EL	19-14	6J7-48311-02	16- 1		25- 4	701-82594-00	27-43		
668-44159-00	16-25	668-45135-00	17- 9	683-45952-00-EL	19-14	701-48320-00	26- 2	668-81948-02	21-27	668-83582-01	21-18		
682-44176-00	18-58	668-45151-00	17-19	6E7-45986-00	19-16	701-48320-20	26- 2		24-22		25-29		
6E0-44191-11	11-12	6E7-45214-00	19- 7	669-45987-00	19-19	701-48320-30	26- 2		25- 4	682-84381-00	12-33		
682-44300-01	18-14	6E8-45251-01	19- 4	668-46241-00	6- 1	701-48320-40	26- 2	669-81948-00	21-26	669-85510-00	20- 2		
682-44312-00	18-15	669-45300-05-EJ	18- 1	701-48101-10	26- 1	701-48320-50	26- 2	661-81952-00	24- 2		23- 2		
682-44315-A0	18-21	669-45300-15-EJ	18- 1		27- 1	701-48320-60	26- 2		25- 8	669-85510-01	20- 2		
	30- 9	6E8-45311-00-EJ	18- 2	701-48126-00	27-41	701-48320-70	26- 2	668-81953-00	24- 3		23- 2		
	30-22	683-45315-A0	18-26	701-48152-11	27-13	701-48320-80	26- 2		25- 9	668-85525-00	21-12		
682-44321-40	30-26		30-11	701-48153-12	27-34	701-48320-90	26- 2	668-81960-A1	24-19	669-85540-21	21- 1		
682-44322-00	18-18	626-45316-09	18-24	701-48189-11	27-32	703-48345-01	27-37		25- 1	668-85542-00	21- 9		
	30-20	6E7-45331-00-5B	18-23	701-48196-11	27- 7	701-48350-00	26- 2	6J8-81960-00	21-25	668-85550-00	23- 1		
682-44322-40	30-27	682-45344-00	30-30	701-48197-10	27- 3	701-48350-10	26- 2	668-82105-00	24- 7	668-85550-01	23- 1		
682-44323-00	18-22	683-45361-01-EJ	18-48	701-48198-10	27-15	701-48350-20	26- 2		25-21	668-85550-10	20- 1		
	30-23	682-45375-01	19- 9	701-48213-00	27-19	668-48351-51	25-44	6J8-82105-10	21-35	668-85550-11	20- 1		
682-44323-40	30-28		30-15	701-48221-00	27- 6		26-13	668-82117-00	24- 8	668-85561-00-94	20- 3		
682-44328-00	18-30	682-45376-01	18-11	701-48222-00	27-27	701-48358-00	27-39		25-12	668-85570-21	21- 4		
682-44352-01	18-19	669-45501-00	18-32	701-48229-00	27-26	668-48501-03	26- 3	668-82127-00	21-17	668-85580-02	20- 5		
	30-21	669-45501-10	18-32	701-48232-00	27-31	668-48511-00	26-16	6E5-82148-00	17-16	90101-08M06	13-14		
	30-29	6E7-45536-00	18-31	701-48234-00	27- 5	668-48511-10	26-19	668-82150-00	24- 9	90101-08M88	13-61		
668-44361-10	19-10	6E7-45551-00	18-33	701-48235-00	27- 2	668-48531-51	26- 4		25-13	90105-06M33	7-14		
669-44361-00	19-10	6E7-45560-00	18-37	701-48236-00	27- 8	668-48532-50	26- 5	682-82151-00	24-10		17-13		
683-44362-01	18- 4	664-45567-01-10	18-38	702-48237-00	27- 9	668-48538-50	26- 6		25-14	90105-08M36	1-29		
626-44365-01	19-11	664-45567-01-12	18-38	702-48238-00	27-10	668-48565-50	26-10	668-82370-20	21- 8	90105-08M37	1-28		
	30-16	664-45567-01-15	18-38	701-48239-00	27-29	668-81323-00	20-16	668-82504-00	21-16	90109-06M25	13- 9		
682-44365-00	18-17	664-45567-01-18	18-38	701-48243-00	27-14	668-81336-00	1-36	668-82510-00	25-30	90116-06M15	4- 8		
	30-18	664-45567-01-30	18-38	701-48246-00	27-24	668-81337-00	20-14	668-82522-00	21-15	90116-06M26	4- 2		
683-44365-01	18- 5	664-45567-01-40	18-38	701-48248-00	27-12	668-81800-10	22- 1	6H3-82540-00	24-11		5-29		
6E7-44366-00	18- 8	664-45567-01-50	18-38	701-48249-00	27-11	689-81807-12	22-11		25-15	90116-08M28	13-43		
668-44367-00	17- 4	6E7-45571-00	18-39	701-48252-00	27- 4	689-81809-11	22- 3	689-82550-11	28- 1	90119-06M12	1- 5		
683-44373-00	18- 6	626-45577-00-01	18-41	701-48255-00	27-21	689-81810-11	22- 4	701-82550-50	27-40	90119-08M18	1- 4		
668-44391-00	12- 8	626-45577-00-03	18-41	701-48261-00	27-38	689-81811-11	22- 6	6A0-82553-20	28- 2	90149-05M05	25-33		

NUMERICAL INDEX

PART NO.	REF. NO.	PART NO.	REF. NO.	PART NO.	REF. NO.	PART NO.	REF. NO.	PART NO.	REF. NO.	PART NO.	REF. NO.
90149-14030	13- 5	90387-06M58	16-14	92780-06025	27-20	92990-06600	17-18	93210-09M01	29-18	95380-06700	4-11
90157-06M04	17-28	90387-06M70	21-30	92901-05600	7- 6		18-29	93210-10M61	6-15		13-58
90159-05M06	16- 9	90387-06M71	20-18	92903-04100	5-23		18-55		29-17		14- 3
90159-06M05	4-18	90387-06M72	12-17		25-32		19- 6	93210-11M59	1-34		15- 9
90170-06015	16-33	90387-06M73	25-41	92990-04100	5-38		20-10		29- 6		16-34
90170-12066	20-20		26-11		29-28		20-12	93210-12M62	7- 2	95680-06100	13-10
90170-24M09	6- 4	90387-13M56	3-14	92990-04200	4-26		21- 3	93210-13M63	1-45	95780-08300	13-16
90171-10M01	19-12	90430-08020	18-10		9-14		21- 7		6-17		13-49
90171-10M07	19-17		30- 8		16-24		21-11		29- 7		13-63
90179-08M06	18-36	90445-05ME6	12-25	92990-05100	8-20		21-24	93210-16M64	7-16	97013-06012	4-37
90185-20M03	15-17	90445-09065	4-32		20- 7		21-29		30- 3		16-31
90201-06M00	2- 7		9- 7		25-35		21-34	93210-20M65	9-18		21-23
90201-06M31	12- 6	90445-09225	9-19	92990-05600	4-16		24- 5	93210-25070	1-47		24- 4
	12-16	90445-11M05	10-14		16-36		24-14		29- 8		24-13
	13-23	90445-11M06	10-16		20- 8		24-21	93210-29M56	6-14		25-10
90201-06M94	6-10	90445-11M52	4-31		25-36		24-24	93210-37M67	13-35		25-17
90201-06049	15- 7	90445-11M66	1-21	92990-06100	5-18		25- 3	93210-56M80	18-53	97013-06035	1-31
90201-08MA4	13-64	90445-24M00	16- 2		7-11		25- 6		30-14	97013-08025	22-15
90201-08M12	13-44	90446-10M02	21-21		8-16		25-11	93210-57M09	18-52	97090-08035	19- 2
90201-10M01	19-20	90460-38M06	13-46		9-16		25-18		30-13	97312-05012	8-19
90201-10M02	19-18	90461-06M01	4-35	92990-06200	8-28		26- 8	93306-00501	18-49	97313-06010	7-10
90201-12472	20-21	90465-08028	4-34		11- 8		26-18	93315-314V8	18-13	97313-06016	6- 9
90201-13201	6- 8		4-36	92990-06300	27-25		26-21	93315-317U2	18-50		12-14
90201-17682	18-40		21-22	92990-06600	1-12		8-37	93332-00005	18-12		21-33
90201-20M00	15-16	90467-08004	9- 8		1-14	92990-08600	13-42	93341-214U1	18-35		24-20
90202-06007	15- 8		9-20		1-20		13-62	93430-04M03	25-42		24-23
90202-20M33	15-18	90480-09M35	12- 2		1-32		17-23	93430-06024	26-12		25- 2
90206-08M13	12-18	90480-13M24	21-31		1-41		19- 3	93450-09M01	27-36	97313-06020	25- 5
90206-10M15	13-12	90480-15M31	20-17		4- 4		22-16	93450-10M05	1-24		1-19
90206-20M14	15-15	90480-19031	12-24		4-10		22-18	93450-15023	19-21		1-40
90209-45M09	13-32	90480-25161	21- 5		4-38		17- 5	93604-08062	2-12		17- 7
90243-04M00	13- 4	90501-12M40	3-15		6-19	93101-13M27	30- 5	93605-15065	18- 3	97313-06025	1-11
90249-06M20	14-10	90501-12M41	3-16		6-24		18-51	93606-12019	13-28		6-18
90250-05010	18-45	90501-14M06	18-47		6-26	93101-17054	30-12		17- 6	97313-06030	1-13
90266-04M04	11- 5	90501-18M00	13-22		8-41		18-25		17-21		6-25
90269-02M09	15-12	90501-23M42	15- 5		9- 4	93101-20048	30-10		18-27		12- 3
90280-03M01	6- 7	90506-26M01	14-19		9-17		2- 3	93700-06004	13-19	97313-06040	16-13
90280-03024	18-20	90506-26M07	14-19		12-21	93101-25124	29-11	94701-00282	1-48		12- 4
	30-24	90508-12M18	14- 7		12-27		6-12	94701-00300	1-48	97313-06050	6-23
90280-16053	20-19	90890-44373	8-18		13-11	93102-18M21	29-12	95023-06025	20- 4	97313-08030	8-36
90340-08M04	18- 9	91490-16010	12-32		13-30		2- 2	95303-04600	16-17	97315-06025	8-15
90386-08M49	12-15		16-37		13-40	93102-30M22	29-10	95303-05600	25-34	97315-06030	13-29
90386-33M56	15-14	91490-16015	8-29		13-55		17- 3	95303-06700	11- 7	97395-06008	14-23
90386-37M47	13-34	91490-25020	16-28		13-57	93210-08M60	30- 4		21-32	97395-06010	18- 7
90386-37M48	13-36	91490-30020	19-13		14- 4		10-12	95303-08700	8-11	97395-06012	8-40
90387-06M09	14- 1	91490-30030	19-13		14-24	93210-08287	6-16	95380-06600	27-45		13-39
90387-06M15	12- 5	91790-05020	16-35		16- 7	93210-09M01	6-22	95380-06700	4- 3		17-17
90387-06M20	14-16	92580-06025	20- 9		17- 8						26- 9



FLOOD MARINE SERVICES

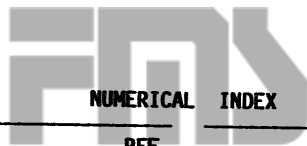
downloaded from www.yamahaoutboardparts.co.uk

PART NO.	REF. NO.	PART NO.	REF. NO.
97395-06016	12-20	98586-05016	10- 7
	12-26	98780-03008	9-12
	16- 6	98780-05016	15- 3
	26-17	98980-04008	25-31
	26-20	98980-06008	21-14
97395-06018	27-22	99080-05600	14-11
	9- 3		14-18
97395-06020	18-54	99510-08012	20-13
	19- 5	99510-10114	1- 3
97395-06025	21- 2		1-30
	21-10		
	13-25		
	21- 6		
	21-28		
97395-06030	26- 7		
97395-06040	18-28		
	30-19		
97395-06045	4- 9		
	13-54		
	13-56		
97395-06095	14- 2		
97395-06135	22-17		
97395-08016	13-41		
97395-08030	17-22		
97395-08040	4-21		
97780-40112	4-25		
	4-28		
97780-50510	18-16		
	18-59		
	5-32		
	15- 6		
	7- 5		
	5-20		
	5-22		
	9-13		
	16-23		
	29-27		
	5-17		
	4-29		
98503-06014	5-37		
	27-17		
98580-04010	27-33		
	19- 8		
98580-05010	20- 6		
	4-15		
98580-05012	1-43		
	20-11		
98580-05016	9-15		
98580-05525			
98580-06020			
98580-06025			



FLOOD MARINE SERVICES

downloaded from www.yamahaoutboardparts.co.uk



NUMERICAL INDEX

PART NO.	REF. NO.	PART NO.	REF. NO.
----------	----------	----------	----------



FLOOD MARINE SERVICES

downloaded from www.yamahaoutboardparts.co.uk



FLOOD MARINE SERVICES

downloaded from www.yamahaoutboardparts.co.uk

PART NO.	REF. NO.
----------	----------



FLOOD MARINE SERVICES

downloaded from www.yamahaoutboardparts.co.uk



FLOOD MARINE SERVICES

downloaded from www.yamahaoutboardparts.co.uk



FLOOD MARINE SERVICES

downloaded from www.yamahaoutboardparts.co.uk



FLOOD MARINE SERVICES

downloaded from www.yamahaoutboardparts.co.uk