

# F9.9A (6G8)

## CONTENTS

- Fig. 1
- Fig. 2
- Fig. 3
- Fig. 4
- Fig. 5
- Fig. 6
- Fig. 7
- Fig. 8
- Fig. 9
- Fig. 10
- Fig. 11
- Fig. 12
- Fig. 13
- Fig. 14
- Fig. 15
- Fig. 16
- Fig. 17
- Fig. 18
- Fig. 19
- Fig. 20
- Fig. 21
- Fig. 22
- Fig. 23
- Fig. 24
- Fig. 25
- Fig. 26
- Fig. 27
- Fig. 28
- Fig. 29
- Fig. 30

CYLINDER. CRANKCASE .....	A3
CRANKSHAFT. PISTON .....	A4
VALVE .....	A5
INTAKE .....	A6
CARBURETOR .....	A7
OIL PUMP .....	B1
OIL PAN .....	B2
STARTER .....	B3
FUEL .....	B4
FUEL TANK .....	B5
TOP COWLING .....	B6
BOTTOM COWLING .....	B7
BRACKET 1 .....	C1
BRACKET 2 .....	C2
STEERING .....	C3
CONTROL .....	C4
UPPER CASING .....	C5
LOWER CASING. DRIVE 1 .....	C6
LOWER CASING. DRIVE 2 .....	C7
GENERATOR .....	D1
ELECTRIC PARTS .....	D2
ELECTRIC MOTOR (F9.9AEM/F9.9AE MODEL) .....	D3
GENERATOR (F9.9AEM/F9.9AE MODEL) .....	D4
ELECTRIC PARTS 1 (F9.9AEM MODEL) .....	D5
ELECTRIC PARTS 2 (F9.9AE MODEL) .....	D6
REMOTE CONTROL .....	D7
REMOTE CONTROL ASSY .....	E1
OPTIONAL PARTS .....	E2
REPAIR KIT 1 .....	E3
REPAIR KIT 2 .....	E4
NUMERICAL INDEX	

This Parts Catalogue is related to the parts in use for the Yamaha outboard motor F9.9A'91 (6G8). When you are ordering replacement parts for the F9.9A'91(6G8), refer to this Parts Catalogue and quote both part numbers and part names correctly.

1. Modifications or additions which have been made after issue of the Parts Catalogue will be announced in the Yamaha Parts News.  
It is advisable that according to the Yamaha Parts News you make necessary corrections to the Parts Catalogue on hand to keep it up-to-date.

2. Abbreviations

The following abbreviations are used in this Parts Catalogue.

- UR Use size (thickness) and/or number as required.
- UN Use as many as you need.
- AP Alternate Parts
- STD Standard
- O/S Over Size

3. Parts, which are to be supplied in the form of assemblies, are listed with an indentation of one letter's space, and a dot ( . ) is put against the name of each part.

**EXAMPLE**

- CARBURETOR ASS'Y
- . JET, pilot
- . NOZZLE, main

4. Indication of No. of constituent parts for assembly.

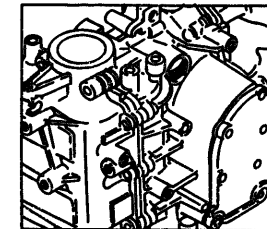
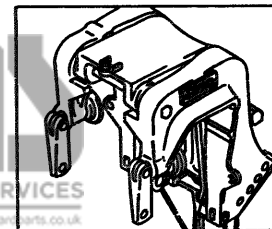
The numeral appearing to the right of each constituent part under the description indicates the quantity of such parts for each individual assembly unit.

**EXAMPLE**

Part No.	Description	Q'ty	Remarks
6E0-85500-70	C.D.I. MAGNETO ASS'Y	1	
6E0-85550-70	. ROTOR ASS'Y	1	
6E0-15723-00-94	. . PULLEY, starter	1	

5. Initial Serial No. and Color Code

Engine Serial No.	Initial Serial No. and Color Code
F9.9AM	L : 302282 and following UL : 702064 and following
F9.9AE	S : 100338 and following L : 403948 and following UL : 761057 and following
F9.9AEM	L : 466626 and following UL : 784149 and following

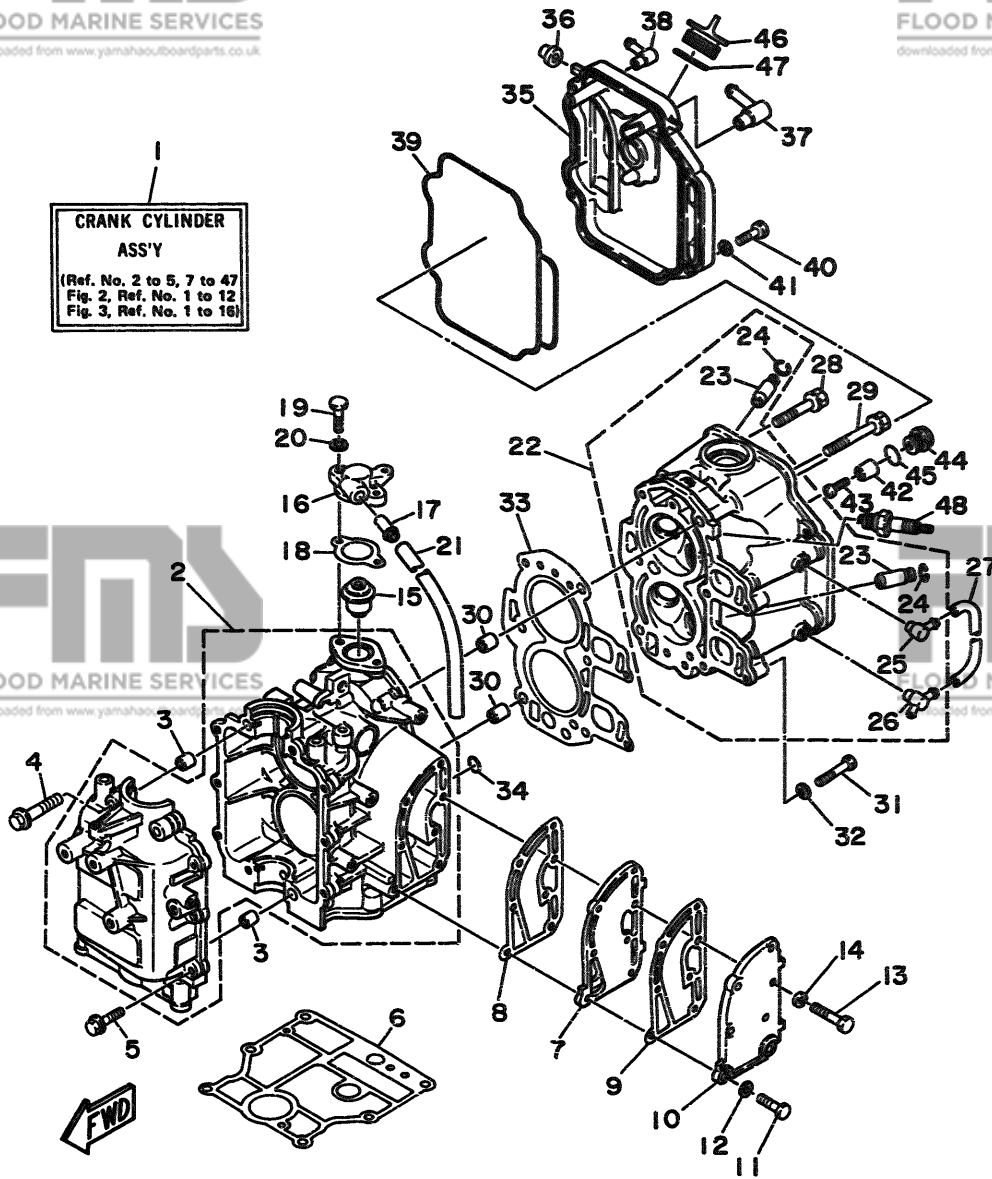


Color Code	Color Name	Abbreviate
EL	HARBOR WHITE	HW

**Fig. 1 CYLINDER. CRANKCASE**

Ref.No.	Parts No.	Description	Q'ty	Ref.No.	Parts No.	Description	Q'ty
1	6G8-W0090-08-EL	CRANK CYLINDER ASSY	1	25	676-11372-00	.NIPPLE, hose	1
2	6G8-15100-04-94	CRANKCASE ASSY	1	26	6G8-11372-01	.NIPPLE, hose	1
3	99510-10114	PIN, dowel	2	27	6G8-12481-00	PIPE 1	1
4	90119-08M18	BOLT, with washer	4	28	90105-08M37	BOLT, washer based	3
5	90119-06M12	BOLT, with washer	6	29	90105-08M36	BOLT, washer based	3
6	6G8-11351-00	GASKET, cylinder	1	30	99510-10114	PIN, dowel	2
7	6G8-41111-02-9M	INNER COVER, exhaust	1	31	97013-06035	BOLT	2
8	6G8-41112-02	GASKET, exhaust inner cover	1	32	92990-06600	WASHER, plate	2
9	6G8-41114-00	GASKET, exhaust outer cover	1	33	6G8-11181-00	GASKET, cylinder head 1	1
10	6G8-41113-01-9M	OUTER COVER, exhaust	1	34	93210-11M59	O-RING	1
11	97313-06025	BOLT	2	35	6G8-11191-01-94	COVER, cylinder head 1	1
12	92990-06600	WASHER, plate	2	36	6G8-81336-00	GROMMET	2
13	97313-06030	BOLT	5	37	6G8-15373-00	PIPE, breather	1
14	92990-06600	WASHER, plate	5	38	676-11372-00	NIPPLE, hose	1
15	6G8-12411-02	THERMOSTAT	1	39	6G8-11356-00	SEAL, cylinder 2	1
16	6G8-12413-00-94	COVER, thermostat	1	40	97313-06020	BOLT	4
17	6E5-24377-00	PIPE, joint 3	1	41	92990-06600	WASHER, plate	4
18	6G8-12414-00	GASKET, cover	1	42	6G8-11325-00	ANODE	1
19	97313-06020	BOLT	2	43	98580-05525	SCREW, pan head	1
20	92990-06600	WASHER, plate	2	44	6G8-11197-00	PLUG, blind	1
21	90445-11M66	HOSE	1	45	93210-13M63	O-RING	1
22	6G8-11111-02-94	HEAD, cylinder 1	1	46	6G8-15363-00	PLUG, oil	1
23	6G8-11133-10	.GUIDE, intake valve	4	47	93210-24M79	O-RING	1
24	93450-09M01	.CIRCLIP	4	48	94701-00282	PLUG, spark (NGK CR6HS)	2

**CRANK CYLINDER ASS'Y**  
(Ref. No. 2 to 5, 7 to 47  
Fig. 2, Ref. No. 1 to 12  
Fig. 3, Ref. No. 1 to 18)



**Fig. 2 CRANKSHAFT. PISTON**

Ref.No.	Parts No.	Description	Q'ty	Ref.No.	Parts No.	Description	Q'ty
1	668-11411-04	CRANKSHAFT	1	7	90201-06M00	WASHER, plate	4
2	93102-30M22	OIL SEAL	1	8	668-11426-00	PLANE BEARING, crankshaft 1	2
3	93101-25M24	OIL SEAL	1	9	668-11631-02-96	PISTON (STD)	2
4	668-11416-00	PLANE BEARING, crankshaft 1 (Brown)	4 UR		668-11635-02	PISTON (0.25MM O/S)	2 AP
	668-11416-10	PLANE BEARING, crankshaft 1 (Black)	4 UR		668-11636-02	PISTON (0.50MM O/S)	2 AP
	668-11416-20	PLANE BEARING, crankshaft 1 (Blue)	4 UR	10	668-11610-01	PISTON RING SET (STD)	2
5	668-11650-03	CONNECTING ROD ASSY	2		668-11610-11	PISTON RING SET (1ST O/S)	2 AP
6	668-11654-00	BOLT, connecting rod	4		668-11610-21	PISTON RING SET (2ND O/S)	2 AP
				11	634-11633-00	PIN, piston	2
				12	93450-15023	CIRCLIP	4

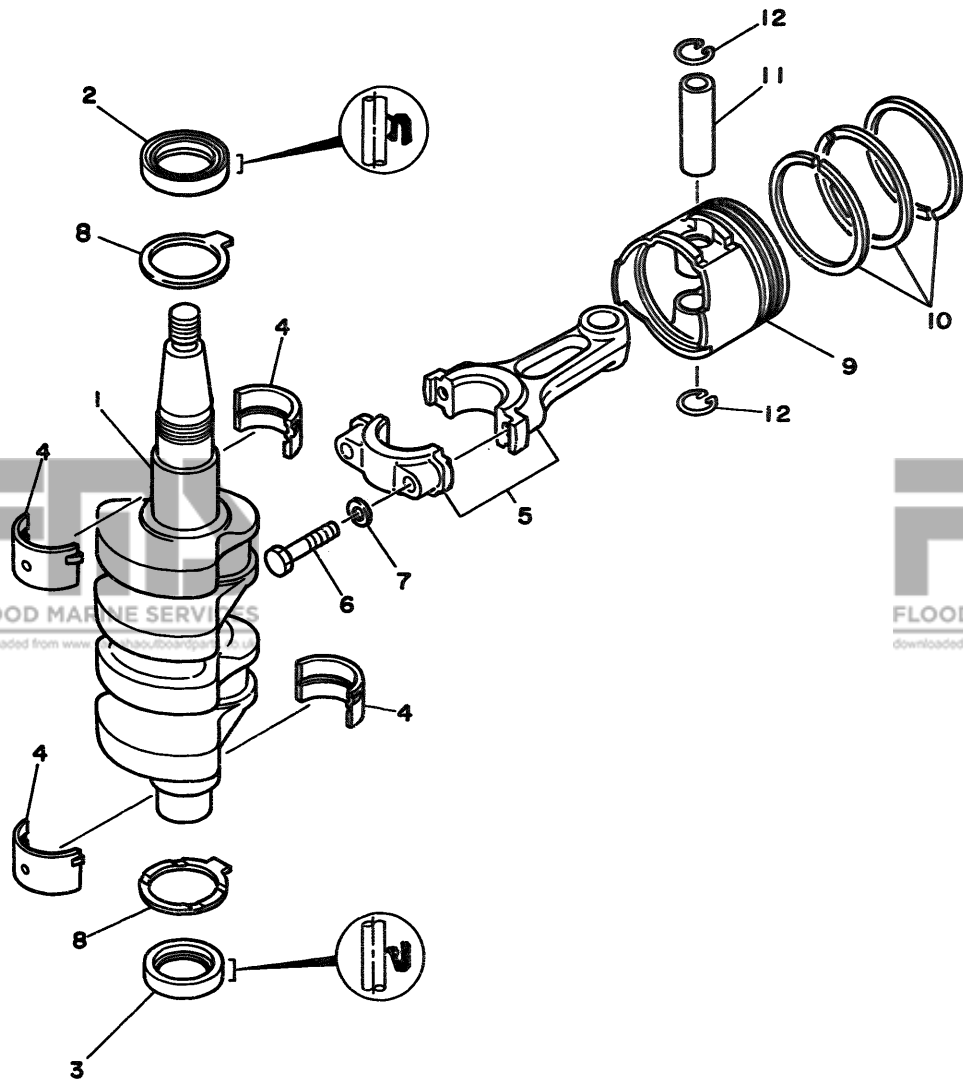
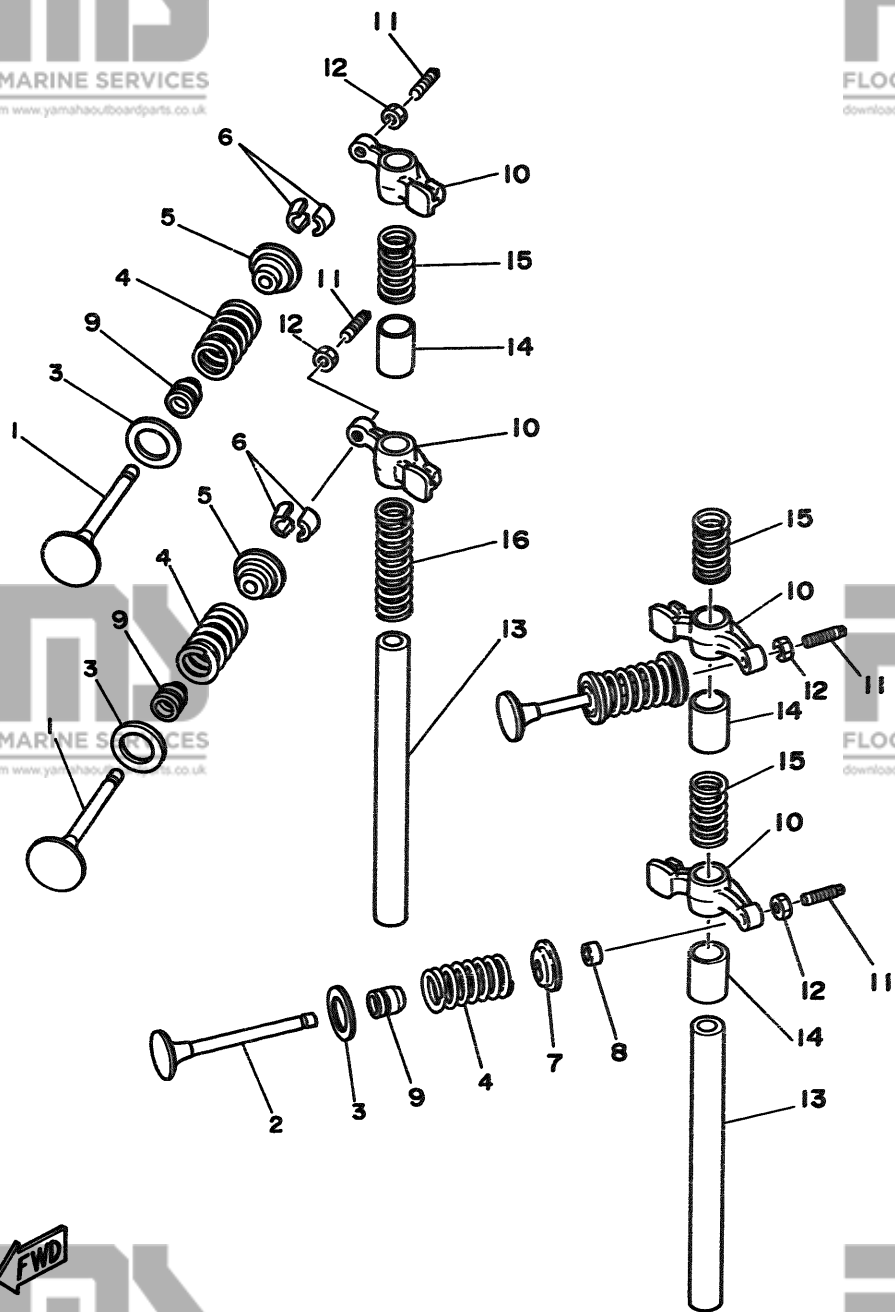


Fig. 3 VALVE

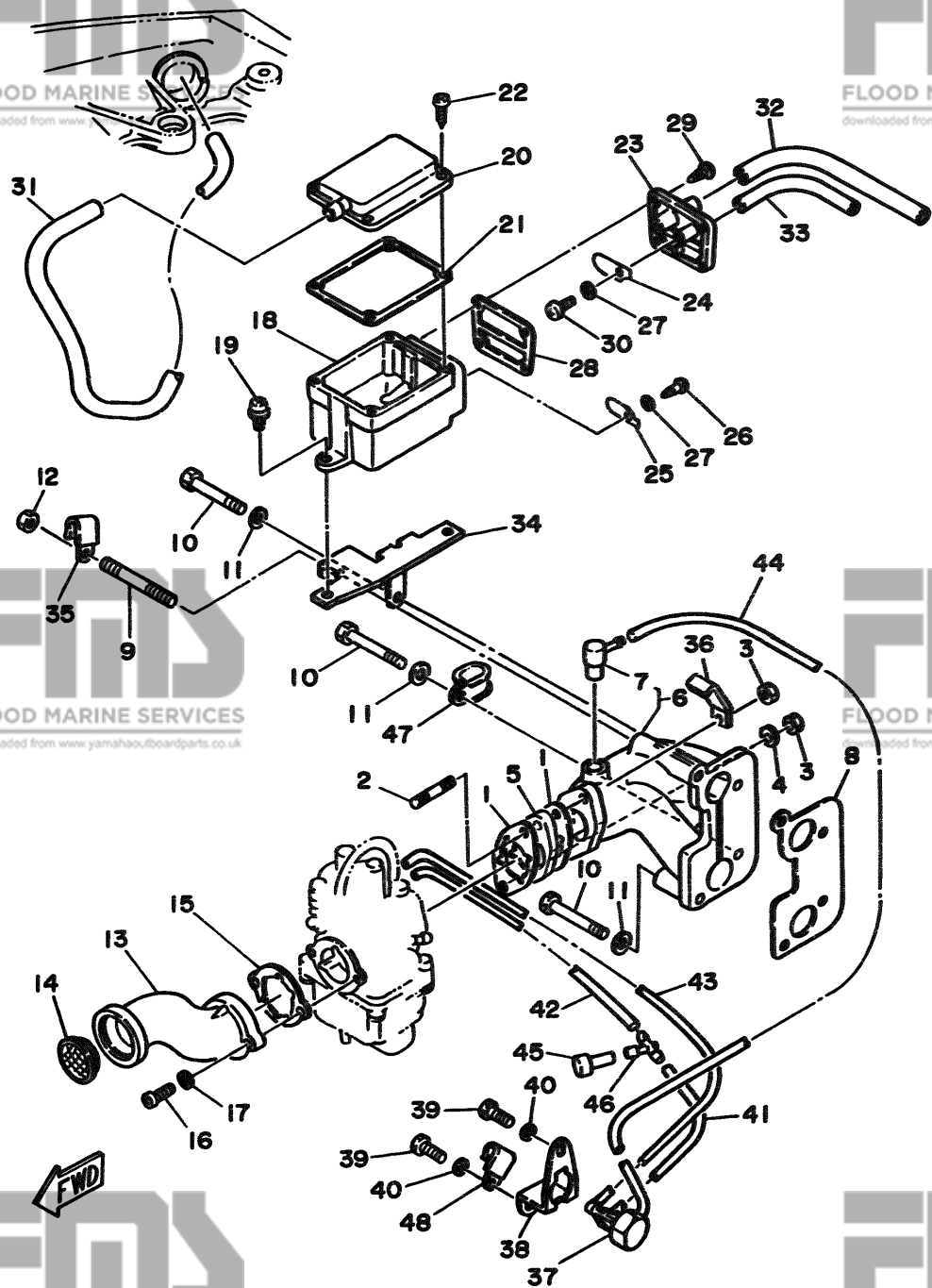
Ref.No.	Parts No.	Description	Q'ty	Ref.No.	Parts No.	Description	Q'ty
1	668-12111-00	VALVE, intake	2	9	51Y-12119-00	SEAL, valve stem	4
2	668-12121-01	VALVE, exhaust	2	10	668-12151-00	ARM, valve rocker	4
3	668-12116-00	SEAT, valve spring	4	11	668-12159-00	SCREW, valve adjusting	4
4	668-12113-00	SPRING, valve inner	4	12	668-12158-00	NUT, lock	4
5	668-12117-00	RETAINER, valve spring	2	13	668-12146-00	SHAFT, rocker	2
6	30X-12118-00	COTTER, valve	4	14	90387-13M56	COLLAR	3
7	668-12117-10	RETAINER, valve spring	2	15	90501-12M40	SPRING, compression	3
8	668-12153-00	LIFTER, valve	2	16	90501-12M41	SPRING, compression	1



FWD

A5

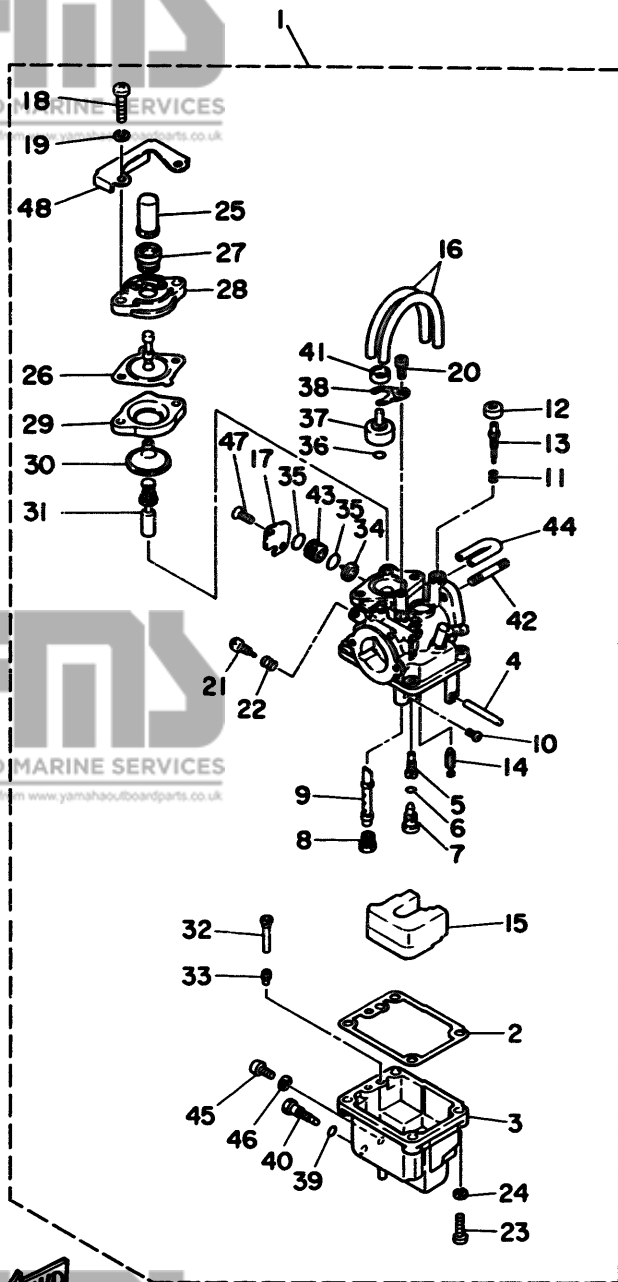
**Fig. 4 INTAKE**



Ref.No.	Parts No.	Description	Q'ty	Ref.No.	Parts No.	Description	Q'ty
1	668-13646-00	GASKET, manifold 2	2	25	668-15347-00	BREATHER 2	1
2	90116-06M25	BOLT, stud	2	26	97780-40112	SCREW, tapping	1
3	95380-06700	NUT	2	27	92990-04200	WASHER, plain	2
4	92990-06600	WASHER, plate	1	28	668-15374-00	GASKET, breather	1
5	668-13647-00	GASKET, manifold 3	1	29	97780-40112	SCREW, tapping	4
6	668-13641-00-94	MANIFOLD 1	1	30	98580-04010	SCREW, pan head	1
7	668-11370-00	.CHECK VALVE ASSY	1	31	668-15393-00	PIPE, breather 2	1
8	668-13645-00	GASKET, manifold 1	1	32	90445-11M52	HOSE	1
9	90116-06M15	BOLT, stud	1	33	90445-09065	HOSE	1
10	97395-06045	BOLT	3	34	668-15376-00	HOLDER, guide	1
11	92990-06600	WASHER, plate	3	35	90465-08028	CLAMP	1
12	95380-06700	NUT	1	36	90465-08M23	CLAMP	1
13	668-14479-01-94	FUNNEL	1	37	668-14399-00	VALVE, bimetal	1
14	668-14478-00	LOUVER	1	38	668-11395-10	HOLDER	1
15	668-14198-00	GASKET	1	39	97013-06012	BOLT	2
16	98580-05016	SCREW, pan head	2	40	92990-06600	WASHER, plate	2
17	92990-05600	WASHER, plate	2	41	90445-08MF5	HOSE	1
18	668-15358-00	SEPARATOR, oil	1	42	90445-08MF4	HOSE	1
19	90159-06M05	SCREW, with washer	2	43	90445-08MF7	HOSE	1
20	668-15368-00-94	SEPARATOR, oil	1	44	90445-08MF6	HOSE	1
21	668-15369-00	GASKET, oil seal housing	1	45	668-14309-00	JET COMP.	1
22	97780-40112	SCREW, tapping	4	46	6E0-24378-00	PIPE, joint 4	1
23	668-15371-00-94	BREATHER	1	47	90461-06M01	CLAMP	1
24	668-15346-00	BREATHER 1	1	48	90465-08028	CLAMP	1

Fig. 5 CARBURETOR

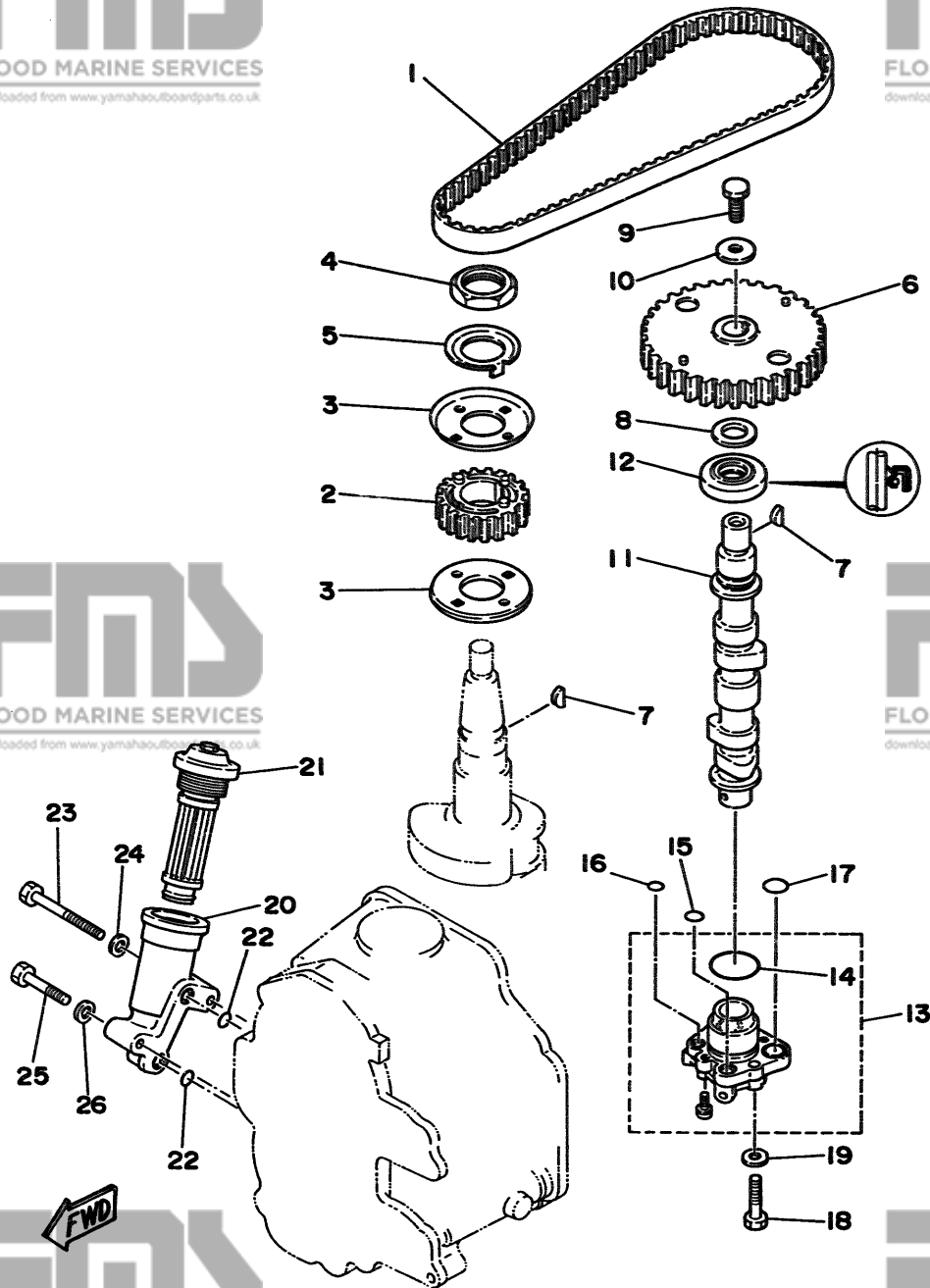
Ref.No.	Parts No.	Description	Q'ty	Ref.No.	Parts No.	Description	Q'ty
1	668-14301-01	CARBURETOR ASSY 1	1	25	668-14355-00	.NOZZLE, main 2	1
2	668-14384-00	.GASKET, float chamber	1	26	668-14368-00	.DIAPHRAGM ASSY 1	1
3	668-14381-00	.BODY, float chamber	1	27	668-14373-00	.COVER, plunger cap	1
4	647-14386-00	.PIN, float	1	28	668-14374-00	.CAP, plunger	1
5	668-14342-21	.JET, pilot (# 42)	1	29	14T-14367-00	.STOPPER	1
6	654-14198-00	.GASKET	1	30	33A-14369-00	.DIAPHRAGM ASSY 2	1
7	668-14345-00	.PLUG, main nozzle	1	31	668-14371-00	.PLUNGER, starter	1
8	648-14343-47	.JET, main (# 94)	1	32	668-14318-27	.PIPE STARTER	1
9	668-14341-00	.NOZZLE, main	1	33	6A4-14344-31	.JET, starter (# 62)	1
10	654-14216-00	.SCREW	1	34	668-14272-00	.VALVE, check seat	1
11	647-14334-00	.SPRING	1	35	1J2-14397-00	.O-RING	2
12	668-14997-00	.SEAL	1	36	5H0-14397-00	.O-RING	1
13	668-14323-00	.SCREW, air adjusting	1	37	668-14313-00	.VALVE, throttle 2	1
14	668-14392-00	.VALVE, needle	1	38	668-14377-00	.STOPPER	1
15	668-14385-00	.FLOAT	1	39	5Y1-14397-00	.O-RING	1
16	668-14197-00	.PIPE	2	40	668-14383-00	.SCREW, drain	1
17	668-14346-01	.PLATE	1	41	44J-14349-00	.PIPE	1
18	92580-06020	.SCREW, pan head	2	42	90116-06M26	.BOLT, stud	2
19	92990-06100	.WASHER, spring	2	43	668-14271-00	.INSULATOR	1
20	98580-04008	.SCREW, pan head	1	44	36F-14396-00	.PIPE	1
21	98503-04014	.SCREW, pan head	1	45	97890-04005	.SCREW, pan head	1
22	646-14212-01	.SPRING, pilot adjusting	1	46	650-14227-01	.WASHER	1
23	98580-04016	.SCREW, pan head	4	47	98703-04008	.SCREW, flat head	2
24	92903-04100	.WASHER, spring	4	48	668-14346-10	.PLATE	1



FWD

**Fig. 6 OIL PUMP**

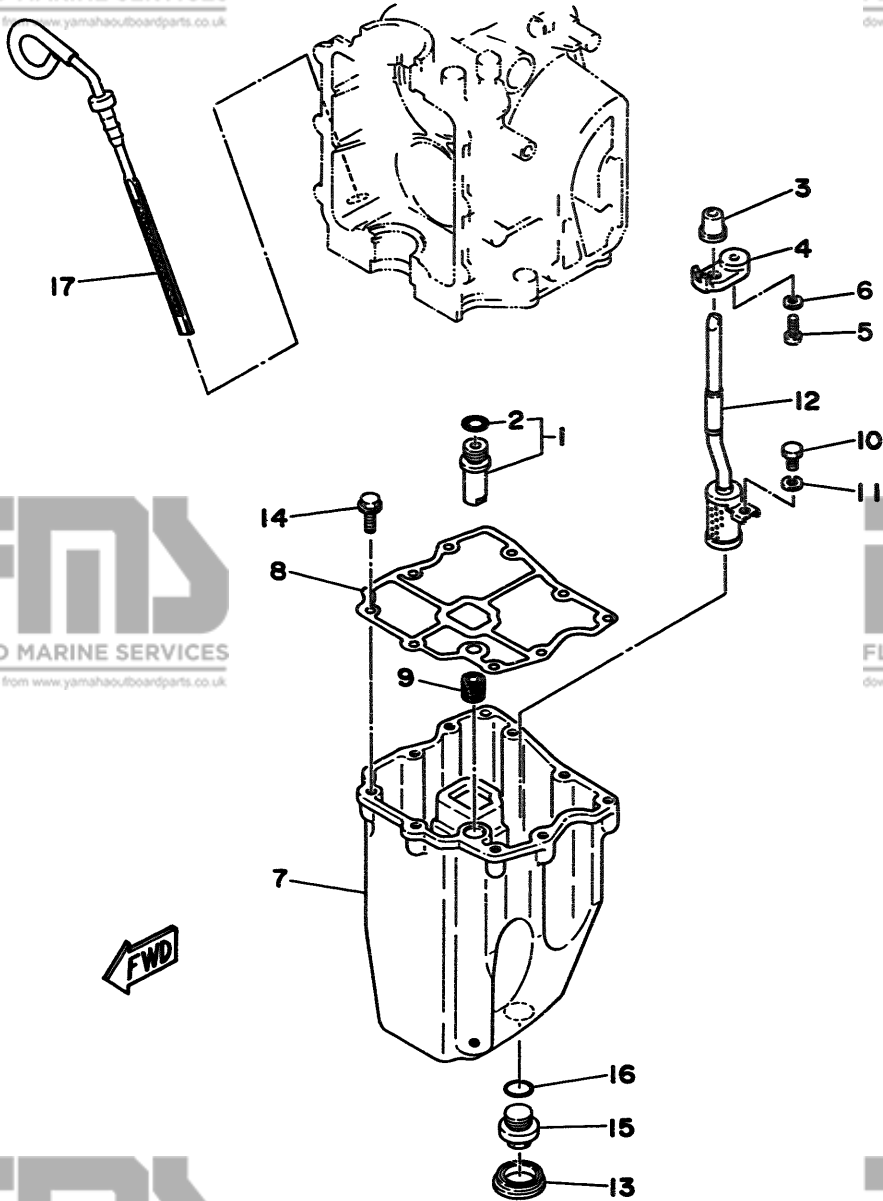
Ref.No.	Parts No.	Description	Q'ty	Ref.No.	Parts No.	Description	Q'ty
1	6G8-46241-00	V-BELT	1	14	93210-29M56	O-RING	1
2	6G8-11536-00-94	GEAR, drive	1	15	93210-10M61	O-RING	1
3	6G8-11557-00	WASHER 1	2	16	93210-09M01	O-RING	1
4	90170-24M09	NUT	1	17	93210-13M63	O-RING	2
5	6G8-11587-00	WASHER, lock	1	18	97313-06025	BOLT	3
6	6G8-11537-00-94	GEAR, driven	1	19	92990-06600	WASHER, plate	3
7	90280-03M01	KEY, woodruff	2	20	6G8-13442-00-94	HOUSING, oil filter	1
8	90201-13201	WASHER, plate	1	21	6G8-13440-00	ELEMENT ASSY, oil cleaner	1
9	97313-06016	BOLT	1	22	93210-09M01	O-RING	2
10	90201-06M94	WASHER, plate	1	23	97313-06050	BOLT	1
11	6G8-12171-00	CAMSHAFT 1	1	24	92990-06600	WASHER, plate	1
12	93102-18M21	OIL SEAL	1	25	97313-06030	BOLT	1
13	6G8-13300-02	OIL PUMP ASSY	1	26	92990-06600	WASHER, plate	1





**Fig. 7 OIL PAN**

Ref.No.	Parts No.	Description	Q'ty	Ref.No.	Parts No.	Description	Q'ty
1	6G8-11575-00	RELIEF VALVE ASS'Y	1	10	97313-06010	BOLT	1
2	93210-12M62	O-RING	1	11	92990-06100	WASHER, spring	1
3	6G8-15379-00	SEAL, crankcase	1	12	6G8-13421-00	STRAINER 2	1
4	6G8-13487-00	GUIDE, oil hose	1	13	6G8-15316-00	DAMPER, engine mount 1	1
5	98501-05012	SCREW, pan head	1	14	90105-06M33	BOLT, washer based	9
6	92901-05600	WASHER, plate	1	15	6G8-13471-00	PLUG, drain	1
7	6G8-15311-02-00	OIL PAN	1	16	93210-16M64	O-RING	1
8	6G8-15312-01	GASKET, oil pan	1	17	6G8-15362-03	PLUG, oil level	1
9	6G8-45127-00	SEAL	1				



**Fig. 8 STARTER**

Ref.No.	Parts No.	Description	Q'ty	Ref.No.	Parts No.	Description	Q'ty
1	6G8-15710-10	STARTER ASSY	1	23	6G8-15746-00	.ARM	1
2	6G8-15711-00	.CASE, starter	1	24	6G8-15767-00	.SPRING	1
3	6G8-15714-00	.DRUM, sheave	1	25	6G8-15734-00	.SPRING, return	1
4	6G8-15713-00	.SPRING, starter	1	26	6G8-15747-00	.LINK	1
5	6G8-15719-00	.WASHER, thrust	1	27	6G8-15716-00	.PLATE, drive	1
6	6G8-15723-00	.PULLEY, starter	1	28	92990-06200	.WASHER, plain	1
7	6G8-15715-00	.SPRING, drive plate	1	29	91490-16012	.PIN, cotter	1
8	6G8-15754-00	.BUSH 2	1	30	6G8-15712-00	.COVER, starter case	1
9	6G8-15727-00	.PIN	1	31	6G8-15779-00	.COVER	1
10	6G8-15768-00	.BOLT	1	32	6G8-15789-00	.DAMPER	1
11	95303-08700	.NUT	1	33	6G8-15742-00	.WASHER, drive pawl	1
12	6F5-15752-00	.ROLLER, wire	1	34	6G1-15755-00	HANDLE, starter	1
13	6G3-15753-00	.BUSH	1	35	689-15779-01	COVER	1
14	6G3-15791-00	.WASHER, lock	1	36	97313-08030	BOLT	3
15	97315-06025	.BOLT	1	37	92990-08600	WASHER, plate	3
16	92990-06100	.WASHER, spring	1	38	6G8-15770-00	CABLE COMP., starter stop	1
17	6G8-15739-00	.WASHER, thrust	1	39	6G8-15771-00	STAY 1	1
18	*	.WIRE (L:1850mm)	1	40	97013-06012	BOLT	1
19	97313-05012	.BOLT	6	41	92990-06600	WASHER, plate	1
20	92990-05100	.WASHER, spring	6	42	6G8-15772-00	STAY 2	1
21	6G8-15726-00	.WASHER, flat	1	43	6G8-44125-00	LEVER, shift rod	1
22	6G8-15794-00	.STOPPER	1				

\*Cut from 50m rolls, parts No. 90890-44373, cutting length 1.85m.

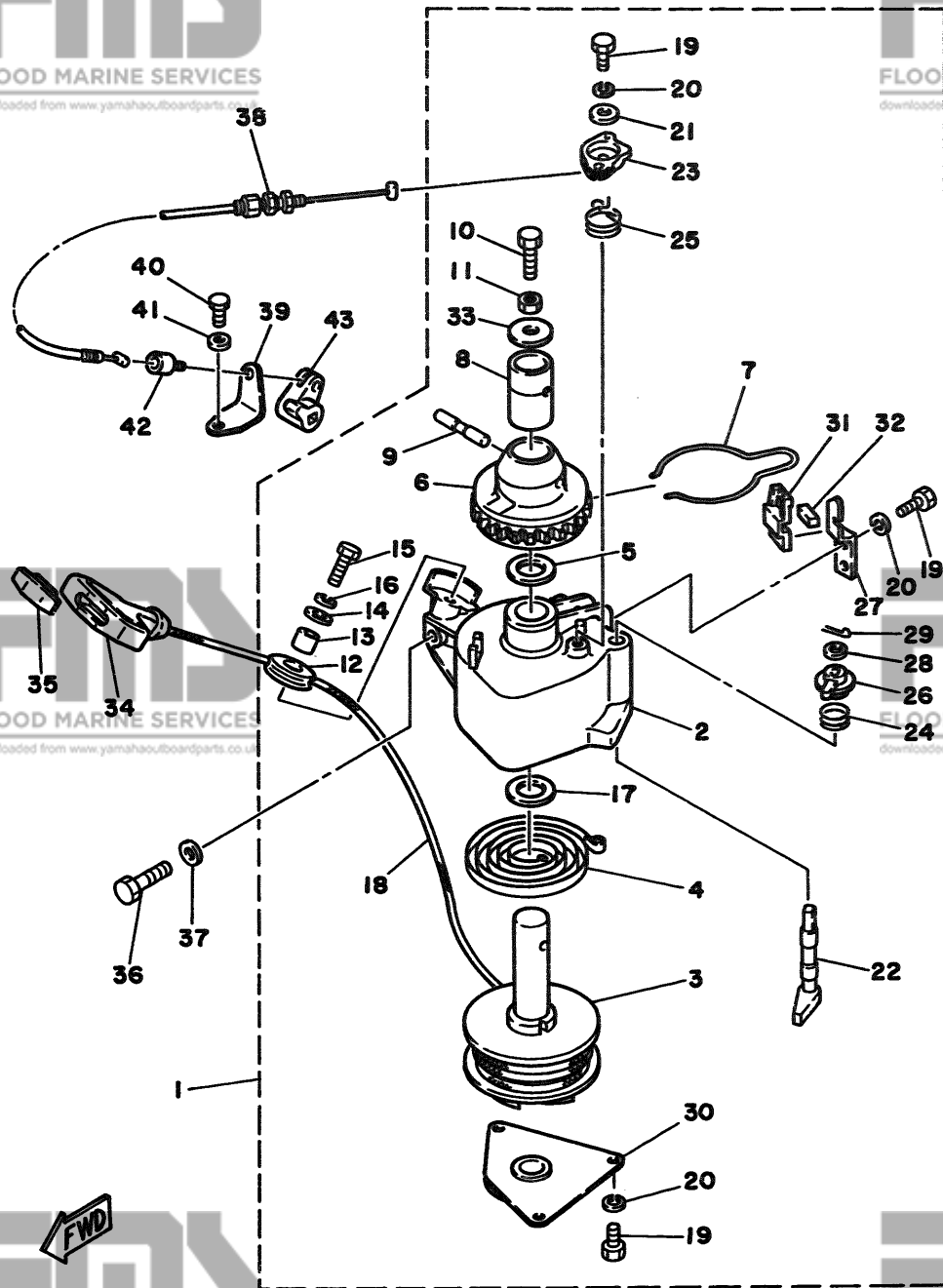
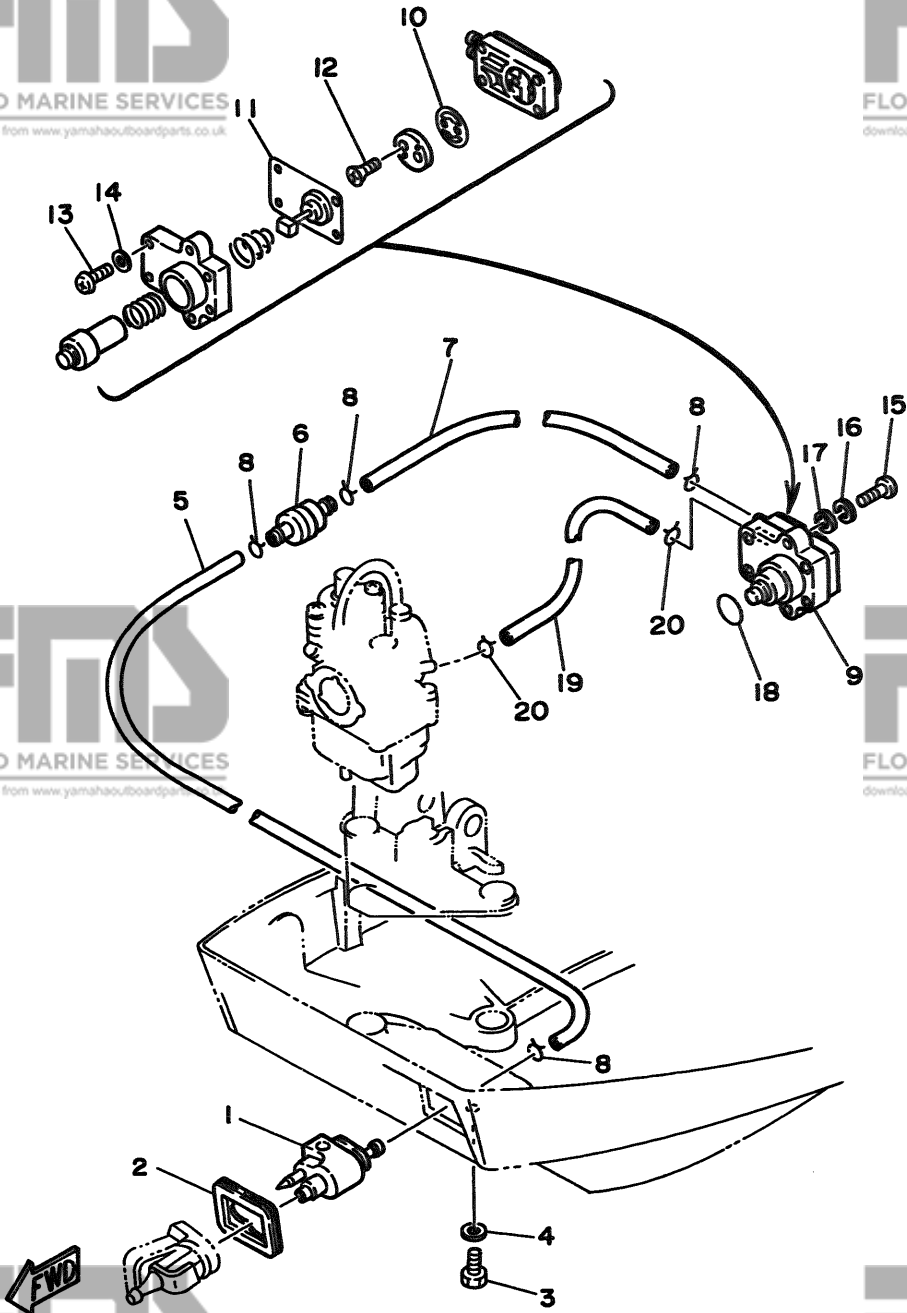


Fig. 9 FUEL

Ref.No.	Parts No.	Description	Q'ty	Ref.No.	Parts No.	Description	Q'ty
1	661-24304-02	FUEL PIPE JOINT COMP. 1	1	11	668-24411-01	.DIAPHRAGM	1
2	668-24329-00	SEAL	1	12	98780-03008	.SCREW, flat head	2
3	97395-06020	BOLT	1	13	98503-04014	.SCREW, pan head	4
4	92990-06600	WASHER, plate	1	14	92990-04200	.WASHER, plain	4
5	668-24311-00	PIPE, fuel 1	1	15	98580-06025	SCREW, pan head	2
6	646-24251-02	STRAINER 1	1	16	92990-06100	WASHER, spring	2
7	90445-09065	HOSE	1	17	92990-06600	WASHER, plate	2
8	90467-08004	CLIP	4	18	93210-20M65	O-RING	1
9	668-24410-01	FUEL PUMP ASSY	1	19	90445-09M75	HOSE	1
10	668-24421-00	.VALVE, check	1	20	90467-08004	CLIP	2

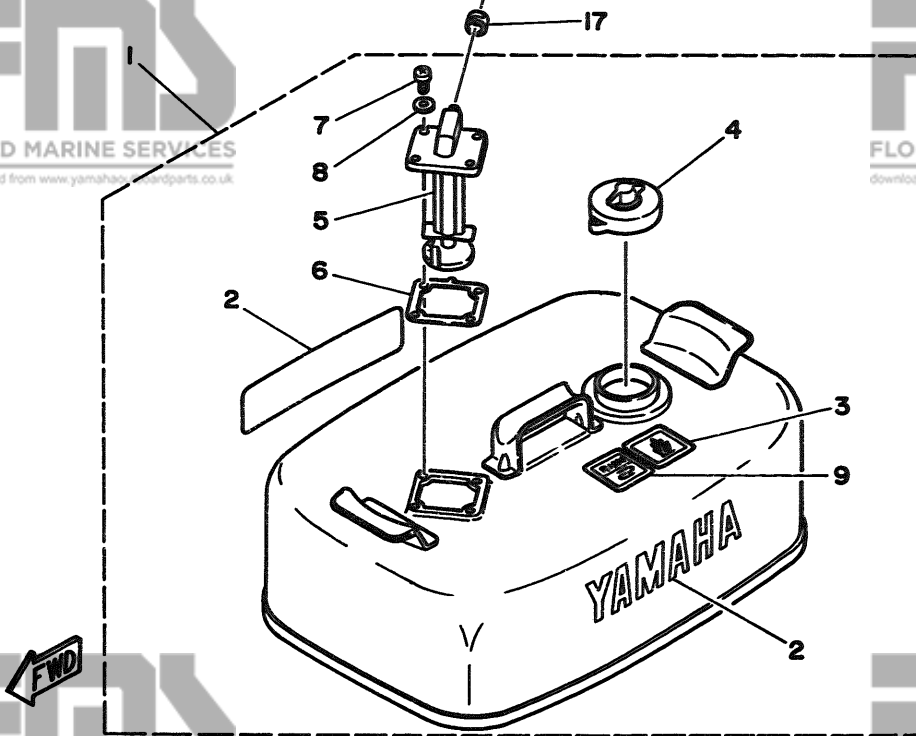
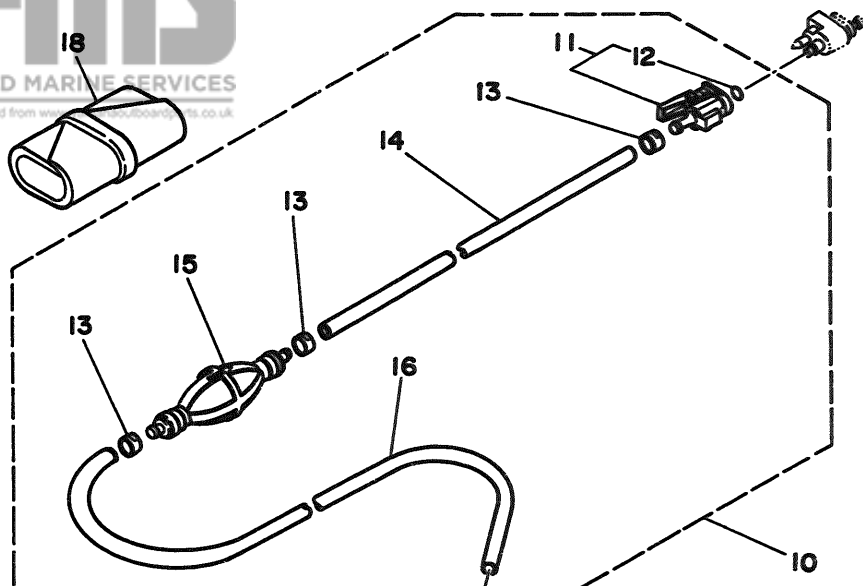


**B4**

Fig. 10 FUEL TANK

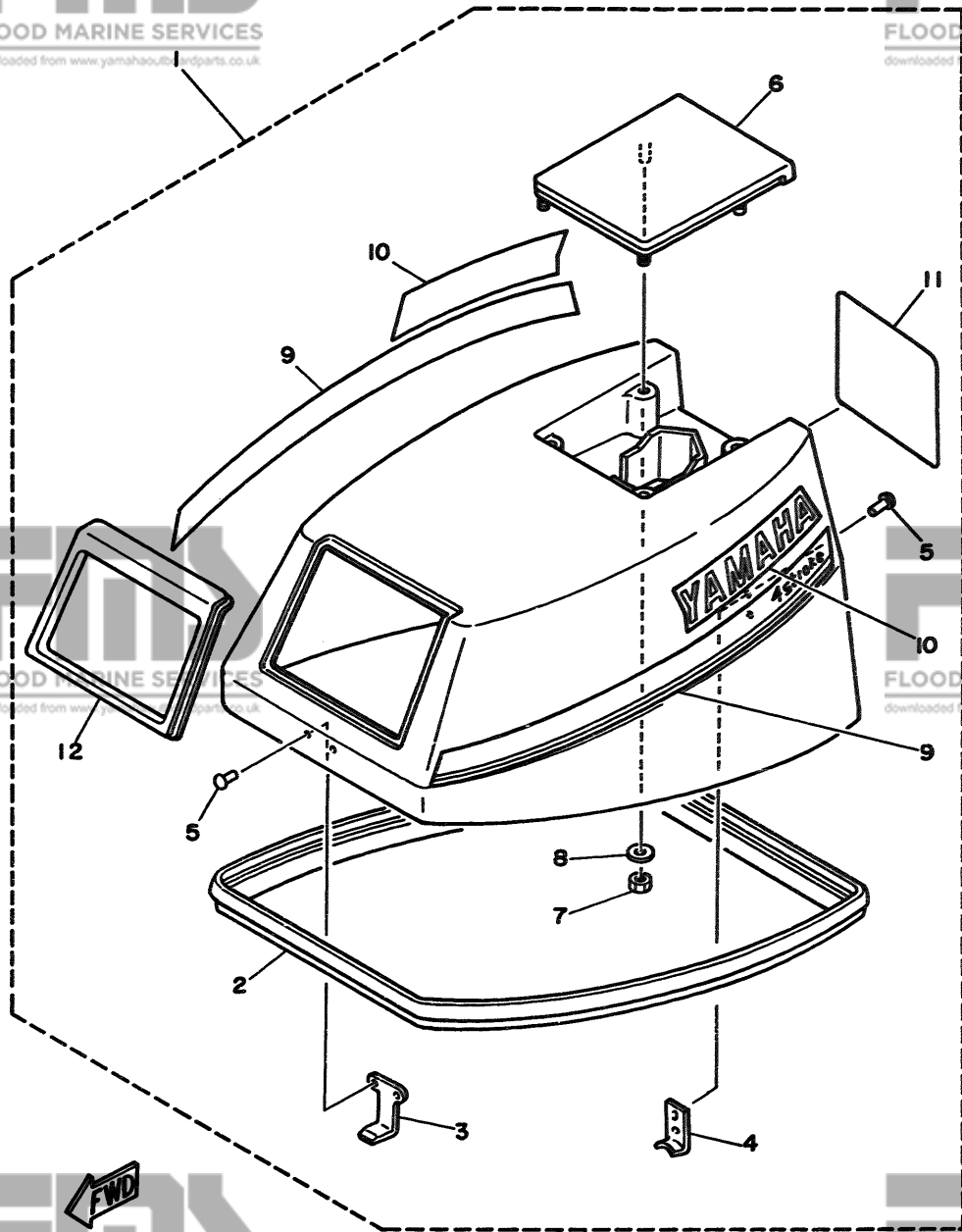
Ref.No.	Parts No.	Description	Q'ty	Ref.No.	Parts No.	Description	Q'ty
1	6Y4-W2420-80-24	FUEL TANK ASSY	1	10	6Y4-24306-80	FUEL PIPE COMP. 1	1
2	6Y1-24246-00	.GRAPHIC, side	2	11	661-24305-00	.FUEL PIPE JOINT COMP. 2	1
3	6Y1-24257-00	.GRAPHIC	1	12	93210-08287	..O-RING	1
4	6Y1-24610-12	.CAP ASSY	1	13	650-24351-01	.BAND 1	3
5	6Y4-24275-80	.FUEL METER COMP.	1	#14	90445-11M05	.HOSE (L:850mm)	1
6	6Y1-24268-00	.GASKET, fuel meter	1	15	6Y1-24360-02	.PRIMER PUMP ASSY	1
7	98586-05016	.SCREW, pan head	4	#16	90445-11M06	.HOSE (L:2050mm)	1
8	6Y1-24329-00	.SEAL	4	17	650-24351-01	BAND 1	1
9	6Y1-24256-80	.GRAPHIC, fuel tank	1	18	676-W2810-00	TOOL KIT	1

# Also available in 30m rolls. (Parts No. 90890-56878)



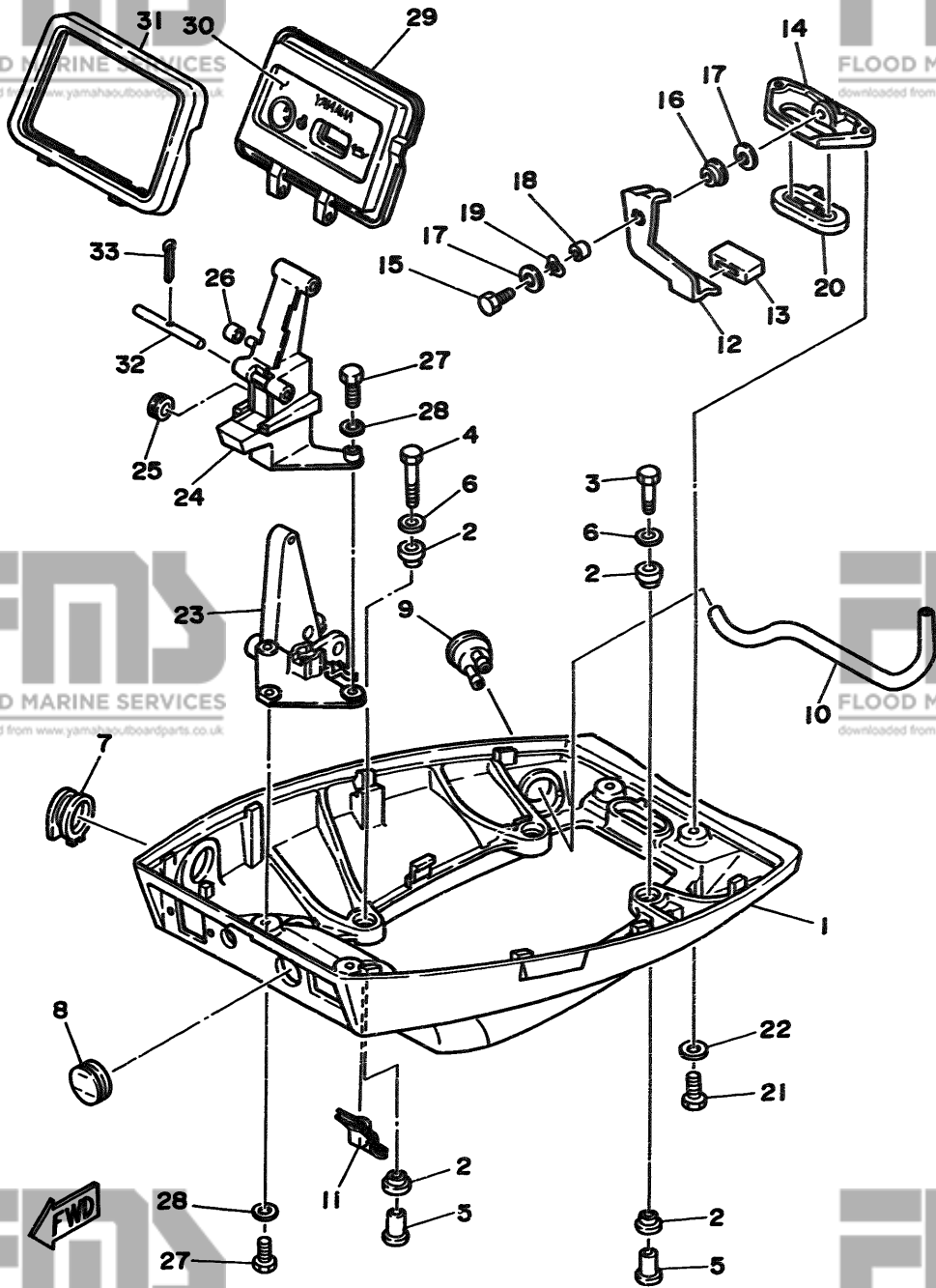
**Fig. 11 TOP COWLING**

Ref.No.	Parts No.	Description	Q'ty	Ref.No.	Parts No.	Description	Q'ty
1	668-42610-01-EL	TOP COWLING ASSY (F9.9A Model)	1	7	95303-06700	.NUT	4
2	668-42615-00	.SEAL	1	8	92990-06200	.WASHER, plain	4
3	668-42651-00	.HOOK	1	9	668-W0070-00	.GRAPHIC SET	1
4	668-42652-00	.HOOK	1	10	668-42681-00	.MARK, cowling	2
5	90266-04M04	.RIVET	4	11	668-42678-00	.GRAPHIC, rear	1
6	668-42613-00-EL	.MOLDING, air duct	1	12	668-42628-01	.SEAL	1



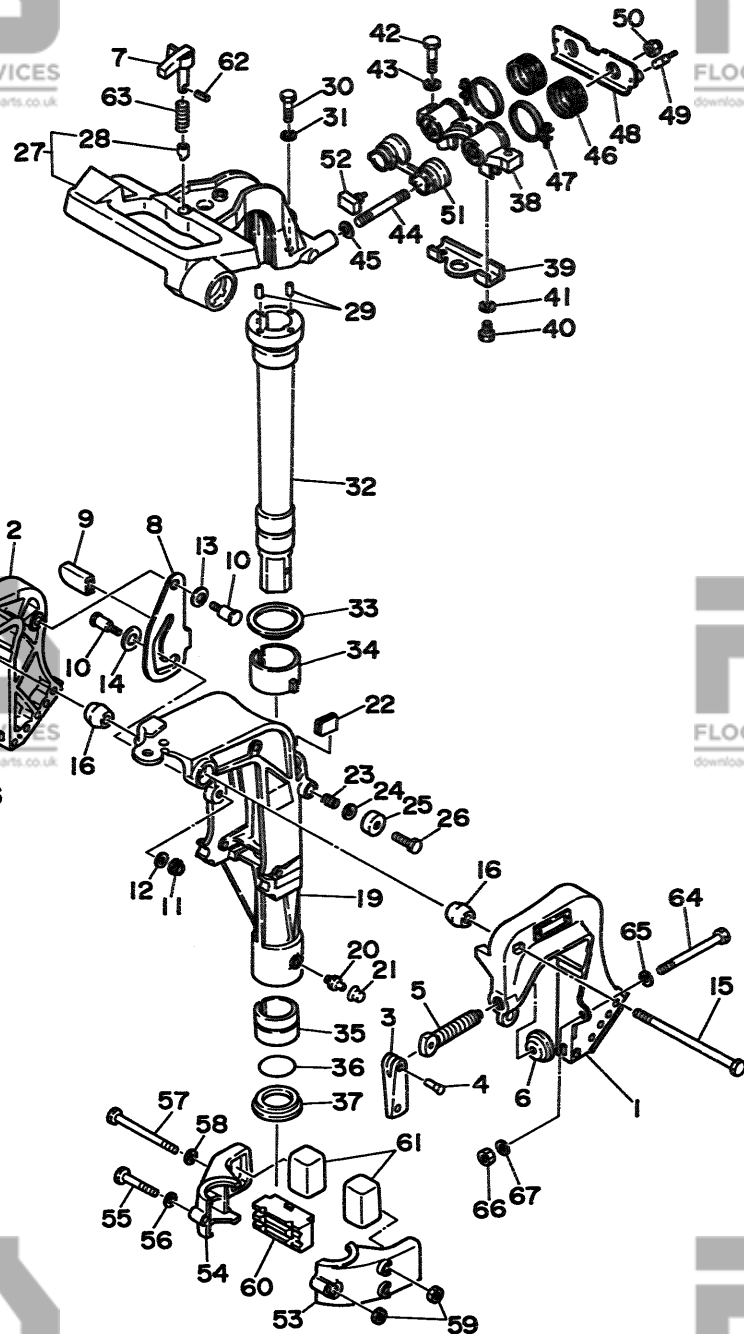
**Fig. 12 BOTTOM COWLING**

Ref.No.	Parts No.	Description	Q'ty	Ref.No.	Parts No.	Description	Q'ty
1	668-42711-01-EL	COWLING, bottom	1	18	90387-06M72	COLLAR	1
2	90480-09M35	GROMMET	8	19	90206-08M13	WASHER, wave	1
3	97313-06030	BOLT	2	20	668-42748-00	GROMMET	1
4	97313-06040	BOLT	2	21	97395-06016	BOLT	2
5	90387-06M15	COLLAR	4	22	92990-06600	WASHER, plate	2
6	90201-06M31	WASHER, plate	4	23	668-42738-00-94	PLATE, fitting	1
7	668-42724-00	GROMMET	1	24	668-42719-00-EL	PANEL, front lower	1
8	668-42725-10	GROMMET	1	25	90480-19031	GROMMET	1
9	668-44391-00	NIPPLE, hose	1	26	90445-05ME6	HOSE	1
10	668-12482-00	PIPE 2	1	27	97395-06016	BOLT	4
11	668-42727-00	GROMMET	1	28	92990-06600	WASHER, plate	4
12	668-42815-00	LEVER, clamp	1	29	668-W4261-00	PANEL, front upper	1
13	668-42831-00	BUSHING	1	30	668-42677-00	GRAPHIC, front	1
14	668-42811-00-94	STAY	1	31	668-42629-01	SEAL	1
15	97313-06016	BOLT	1	32	668-42755-00	HINGE, cowling	1
16	90386-08M49	BUSH	1	33	91490-16010	PIN, cotter	1
17	90201-06M31	WASHER, plate	2				



**B7**





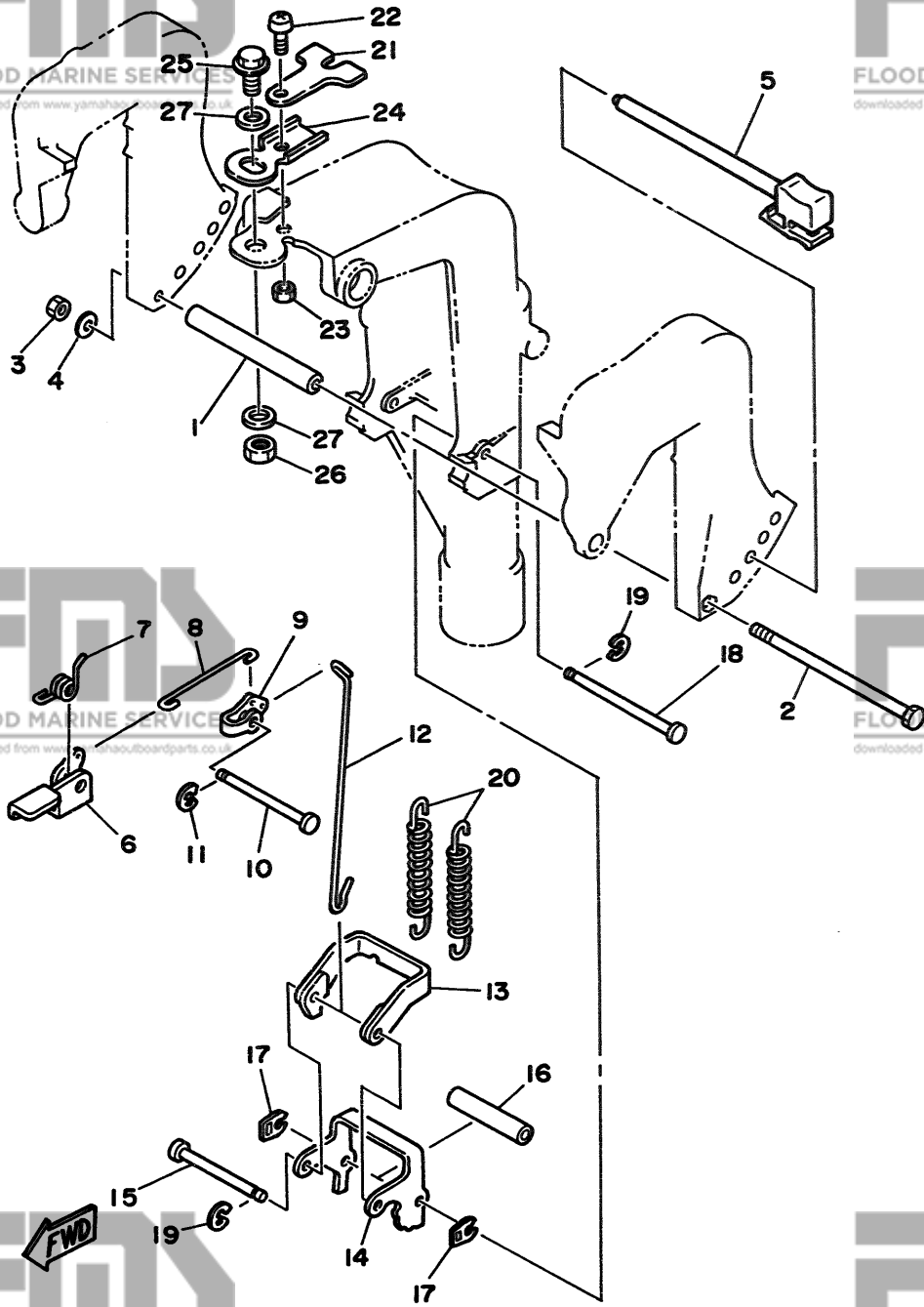
**Fig. 13 BRACKET 1**

Ref.No.	Parts No.	Description	Q'ty	Ref.No.	Parts No.	Description	Q'ty
1	6G8-43111-02-EL	BRACKET, clamp	1	33	90209-45M09	WASHER	1
2	6G8-43112-03-EL	BRACKET, clamp	1	34	6G8-42537-00	BUSHING, pivot shaft	1
3	616-43118-00-EL	HANDLE, transom clamp	2	35	90386-37M47	BUSH	1
4	90243-04M00	PIN	2	36	93210-37M67	O-RING	1
5	90149-14030	SCREW	2	37	90386-37M48	BUSH	1
6	648-43114-01	PAD, transom clamp	2	38	6G8-44517-00-94	MOUNT RUBBER	1
7	6G8-42561-00	KNOB, steering lock	1	39	6G8-44526-00	PLATE	1
8	6G8-43181-00	LEVER, tilt stop	1	40	97395-06012	BOLT	2
9	682-43318-01	COVER	1	41	92990-06600	WASHER, plate	2
10	90109-06M25	BOLT	2	42	97395-08030	BOLT	2
11	95680-06100	NUT, u	2	43	92990-08600	WASHER, plate	2
12	92990-06600	WASHER, plate	2	44	90116-08M28	BOLT, stud	2
13	90206-10M15	WASHER, wave	1	45	90201-08M12	WASHER, plate	2
14	682-43339-01	WASHER	1	46	6G8-44522-00	SEAL	2
15	90101-08M05	BOLT	1	47	90460-38M06	CLAMP, hose	2
16	6G8-43136-00	PIECE, friction	2	48	6G8-44518-00	BRACKET COMP.	1
17	95780-08300	NUT, flange	1	49	6G8-44533-00	DAMPER, upper mount rubber	2
18	6A1-43113-01	PLATE, clamp bracket	1	50	95780-08300	NUT, flange	2
19	6G9-43311-02-EL	BRACKET, swivel (Short)	1 UR	51	6G8-44521-00	SEAL	1
	6G8-43311-13-EL	BRACKET, swivel (Long/Ultra Long)	1 UR	52	6G8-44532-00	STOPPER, upper mount	1
20	93700-06004	NIPPLE, grease	1	53	6G8-44551-01-EL	HOUSING, lower mount rubber	1
21	663-45119-00	CAP, grease nipple	1	54	6G8-44552-02-EL	HOUSING, lower mount rubber	1
22	6G8-42528-00	PLATE, friction	1	55	97395-06045	BOLT	1
23	90501-18M00	SPRING, compression	1	56	92990-06600	WASHER, plate	1
24	90201-06M31	WASHER, plate	1	57	97395-06095	BOLT	2
25	6G8-43373-00	SEAL, damper	1	58	92990-06600	WASHER, plate	2
26	97395-06025	BOLT	1	59	95380-06700	NUT	3
27	6G8-42511-02-EL	BRACKET, steering	1	60	6G8-44557-00	MOUNT DAMPER, lower front	1
28	6G8-42534-00	.PIN, dowel	1	61	682-44555-00	MOUNT DAMPER, lower side	2
29	93605-15065	.PIN, dowel	2	62	91690-30012	PIN, spring	2
30	97315-06030	BOLT	2	63	90501-10071	SPRING, compression	1
31	92990-06600	WASHER, plate	2	64	90101-08M88	BOLT	2
32	6G9-42521-00-94	SHAFT, steering pivot (Short)	1 UR	65	92990-08600	WASHER, plate	2
	6G8-42521-10-94	SHAFT, steering pivot (Long/Ultra Long)	1 UR	66	95780-08300	NUT, flange	2
				67	90201-08MA4	WASHER, plate	2



**Fig. 14 BRACKET 2**

Ref.No.	Parts No.	Description	Q'ty	Ref.No.	Parts No.	Description	Q'ty
1	90387-06M09	COLLAR	1	15	682-43611-01	SHAFT, tilt lock	1
2	97395-06135	BOLT	1	16	90387-06M20	COLLAR	1
3	95380-06700	NUT	1	17	682-43673-00	WASHER 1	2
4	92990-06600	WASHER, plate	1	18	682-43659-00	SHAFT, reverse lock	1
5	6G8-43160-01	TILT ROD ASSY	1	19	99080-05600	CIRCLIP	2
6	6G8-43631-01	LEVER, tilt	1	20	90506-29M16	SPRING, tension	2
7	90508-12M18	SPRING, torsion	1	21	6G8-43319-01	PLATE	1
8	682-43616-00	ROD, tilt lock	1	22	98580-06016	SCREW, pan head	1
9	682-43641-00	LEVER, tilt	1	23	95380-06600	NUT	1
10	90249-06M20	PIN	1	24	6G8-42512-00-94	PLATE, control	1
11	99080-05600	CIRCLIP	1	25	90105-10M30	BOLT, washer based	1
12	6G8-43617-00	ROD, tilt lock	1	26	95380-10700	NUT	1
13	682-43614-00	PLATE, tilt lock	1	27	90201-10M76	WASHER, plate	2
14	682-43615-01	PLATE, tilt lock	1				



**C2**



**Fig. 15 STEERING**

Ref.No.	Parts No.	Description	Q'ty	Ref.No.	Parts No.	Description	Q'ty
1	668-42111-01-EL	HANDLE, steering	1	17	97890-06030	SCREW, pan head	1
2	668-42112-02-EL	HANDLE, steering	1	18	90201-06049	WASHER, plate	1
3	98780-05016	SCREW, flat head	2	19	90202-06007	WASHER, plate	1
4	668-44191-00	INDICATOR, shift	1	20	95380-06700	NUT	1
5	93700-06004	NIPPLE, grease	1	21	668-42119-00	GRIP, steering handle	1
6	663-45119-00	CAP, grease nipple	1	22	668-42137-01	INDICATOR, throttle	1
7	668-42147-01	SPRING	1	23	90269-02M09	RIVET	1
8	97395-05012	BOLT	1	24	668-42177-00	RUBBER, handle	1
9	92990-05600	WASHER, plate	1	25	668-42113-01-EL	HANDLE, steering 3	1
10	6H4-42725-00	GROMMET	1	26	90386-33M56	BUSH	1
11	97395-06025	BOLT	2	27	90206-20M14	WASHER, wave	1
12	92990-06600	WASHER, plate	2	28	90201-20M00	WASHER, plate	2
13	97395-06040	BOLT	2	29	90185-20M03	NUT, self-locking	1
14	92990-06600	WASHER, plate	2	30	90202-20M33	WASHER, plate	1
15	668-42126-01-94	FRICTION, steering handle grip	1	31	668-W0084-81-EL	HANDLE STEERING ASSY	1
16	90501-23M42	SPRING, compression	1				

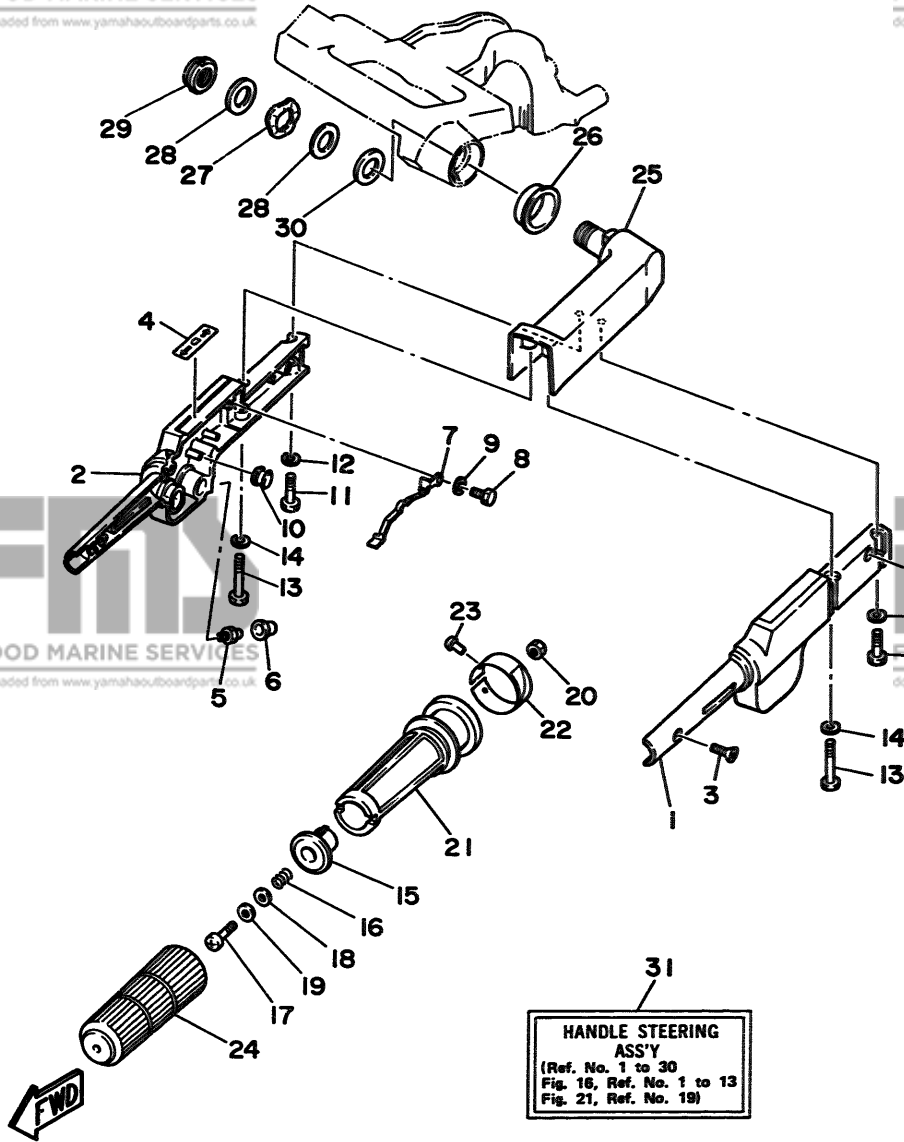
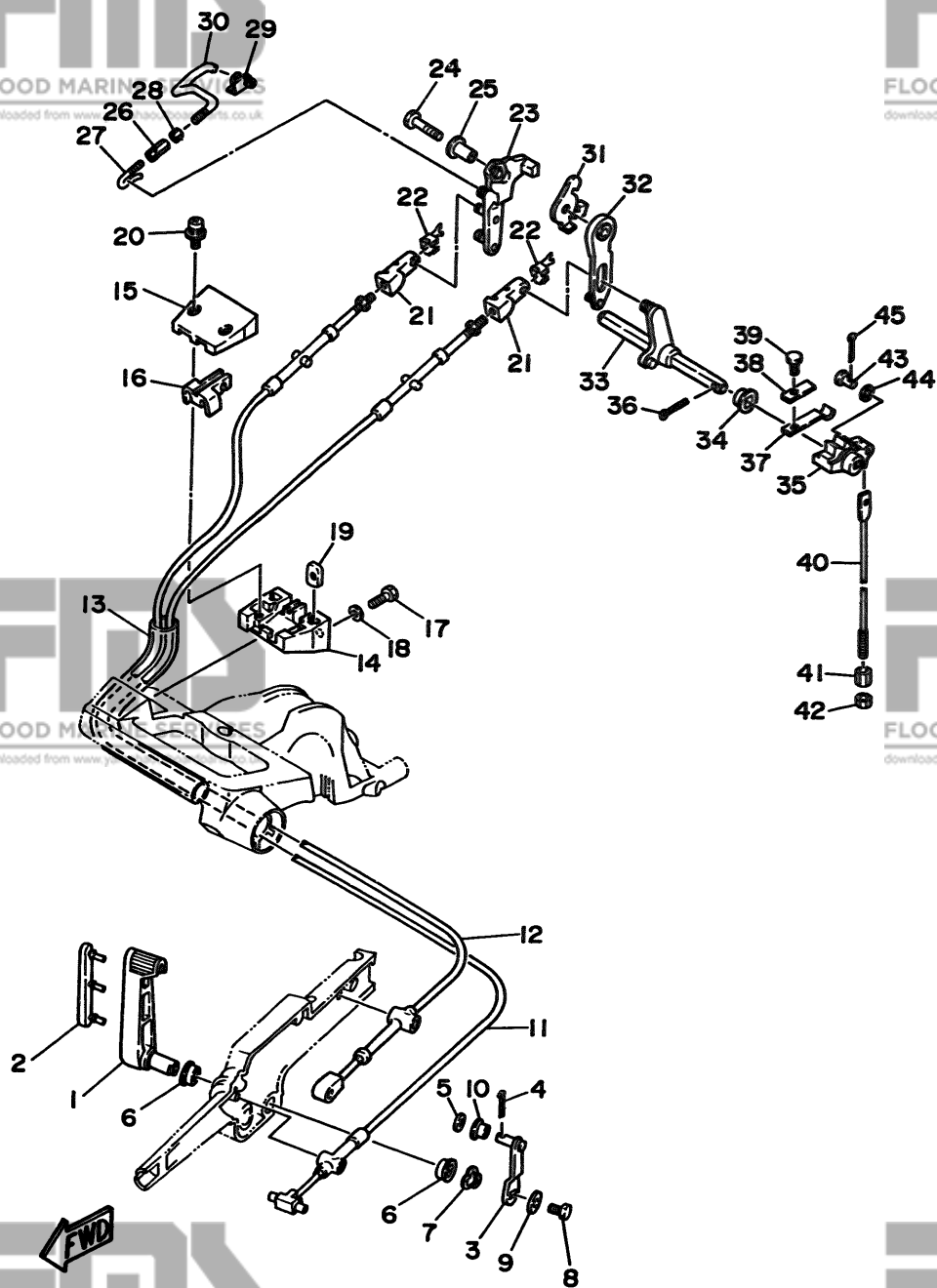


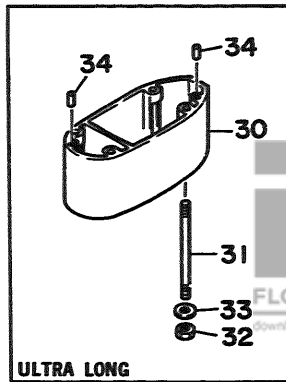
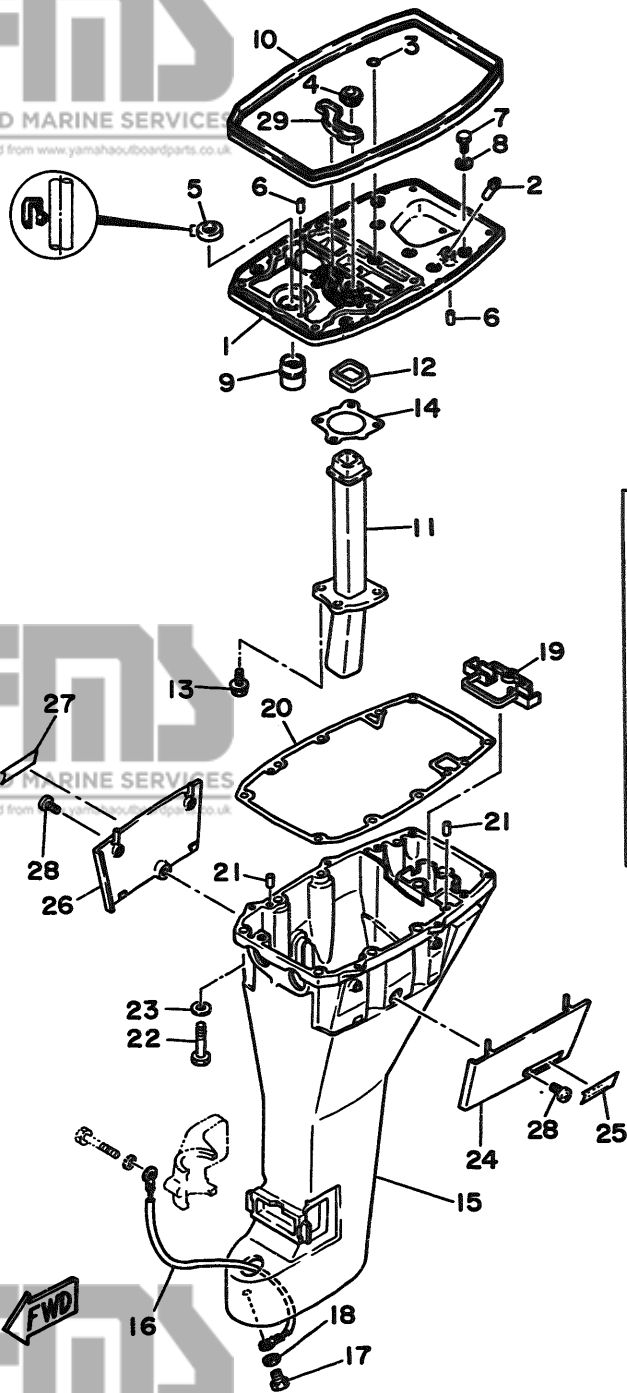
Fig. 16 CONTROL



Ref.No.	Parts No.	Description	Q'ty	Ref.No.	Parts No.	Description	Q'ty
1	668-44121-00-98	LEVER, shift rod	1	23	668-41212-00	ARM, accel.	1
2	668-42129-00	BUSHING, rubber	1	24	97313-06030	BOLT	1
3	668-44123-00	ARM, shift rod	1	25	90387-06M58	COLLAR	1
4	91490-16010	PIN, cotter	1	26	668-41238-01	JOINT, link	1
5	92990-05200	WASHER, plain	1	27	668-41241-01	ROD, link	1
6	90386-12069	BUSH	2	28	95303-04600	NUT	1
7	90206-12052	WASHER, wave	1	29	668-41237-01	JOINT, link	1
8	97313-06016	BOLT	1	30	668-41242-01	ROD 2	1
9	90201-06M94	WASHER, plate	1	31	668-14493-00	STAY 1	1
10	90386-05M54	BUSH	1	32	668-44111-00	HANDLE, gear shift	1
11	668-48311-02	CABLE	1	33	668-44159-00	HANDLE, gear shift	1
	668-48311-11	CABLE (For Handy Remote Control)	1 AP	34	682-44132-00	BUSHING	1
12	668-48321-01	CABLE	1	35	668-44141-00	LINK, shift rod	1
	668-48321-10	CABLE (For Handy Remote Control)	1 AP	36	91490-25020	PIN, cotter	1
13	90445-24M00	HOSE	1	37	682-44116-00	SPRING	1
	90445-20ME5	HOSE (For Handy Remote Control)	1 AP	38	682-44117-00	BRACKET	1
14	668-41661-00-98	BRACKET	1	39	97013-06012	BOLT	1
15	668-41662-00-98	BRACKET	1	40	669-44143-00	ROD, shift (Short)	1 UR
16	668-41663-00	BRACKET 3	1		668-44143-10	ROD, shift (Long/Ultra Long)	1 UR
17	97395-06016	BOLT	2	41	90170-06015	NUT	1
18	92990-06600	WASHER, plate	2	42	95380-06700	NUT	1
19	668-41654-00	NUT	2	43	91790-05020	PIN, clevis	1
20	90159-05M06	SCREW, with washer	2	44	92990-05600	WASHER, plate	1
21	668-26363-00	END, cable	2	45	91490-16010	PIN, cotter	1
22	668-26364-00	END, cable 2	2				

**Fig. 17 UPPER CASING**

Ref.No.	Parts No.	Description	Q'ty	Ref.No.	Parts No.	Description	Q'ty
1	668-41137-02-94	GUIDE, exhaust	1	18	92990-06600	WASHER, plate	1
2	6E5-24377-00	PIPE, joint 3	1	19	668-45151-00	COVER, upper casing	1
3	93210-08M60	O-RING	1	20	668-45113-00	GASKET, upper casing	1
4	668-44367-00	DAMPER, water seal	1	21	93606-12019	PIN, dowel	2
5	93101-13M27	OIL SEAL	1	22	97395-08040	BOLT	6
6	93606-12019	PIN, dowel	2	23	92990-08600	WASHER, plate	6
7	97313-06020	BOLT	2	24	668-42741-00-EL	APRON	1
8	92990-06600	WASHER, plate	2	25	668-42791-00	MARK 1	1
9	668-45135-00	PIPE	1	26	668-42771-00-EL	APRON	1
10	668-42716-00	RUBBER, seal 1	1	27	668-42792-00	MARK	1
11	668-41131-01	MANIFOLD, ext. 1	1	28	90157-06M04	SCREW, pan head	2
12	668-41138-00	SEAL, ext. 1	1	29	668-11355-00	SEAL, cylinder 1	1
13	90105-06M33	BOLT, washer based	4	30	668-45211-20-EL	EXTENSION (Ultra Long)	1
14	668-41133-01	GASKET, exhaust manifold 1	1	31	90116-08M19	BOLT, stud (Ultra Long)	4
15	669-45111-02-EL	CASING, upper (Short)	1 UR	32	95380-08600	NUT (Ultra Long)	4
	668-45111-12-EL	CASING, upper (Long/Ultra Long)	1 UR	33	92990-08600	WASHER, plate (Ultra Long)	4
16	6E5-82148-00	WIRE, lead 4	1	34	93606-12019	PIN, dowel (Ultra Long)	2
17	97395-06012	BOLT	1				



**Fig. 18 LOWER CASING. DRIVE 1**

Ref.No.	Parts No.	Description	Q'ty	Ref.No.	Parts No.	Description	Q'ty
1	668-45300-05-EL	LOWER UNIT ASSY (Short)	1 UR	27	668-45587-00-35	SHIM	1 UR
	668-45300-14-EL	LOWER UNIT ASSY (Long)	1 UR		668-45587-00-50	SHIM	1 UR
	668-45300-25-EL	LOWER UNIT ASSY (Ultra Long)	1 UR	28	93341-31303	BEARING	1
2	668-45311-04-EL	CASING, lower	1	29	90179-08M06	NUT	1
3	93604-08062	PIN, dowel	1	30	668-45560-00	GEAR	1
4	90340-08M04	PLUG, straight screw	3	31	626-45577-00-01	SHIM (0.1T)	1 UR
5	90430-08020	GASKET	3		626-45577-00-03	SHIM (0.3T)	1 UR
6	93332-00005	BEARING	1		626-45577-00-05	SHIM (0.5T)	1 UR
7	93315-213V4	BEARING, cylindrical	1	32	668-45571-00	GEAR	1
8	682-44300-01	HOUSING WATER PUMP ASSY	1	33	90201-17682	WASHER, plate	1
9	682-44312-00	.COVER, water pump housing	1	34	626-45577-00-01	SHIM (0.1T)	1 UR
10	97780-40112	.SCREW, tapping	2		626-45577-00-03	SHIM (0.3T)	1 UR
11	682-44365-00	.DAMPER, water seal	1		626-45577-00-05	SHIM (0.5T)	1 UR
12	682-44322-00	INSERT, cartridge	1	35	668-45611-00	SHAFT, propeller	1
13	682-44352-01	IMPELLER	1	36	650-45635-00	PLUNGER, shift	1
14	90280-03024	KEY, woodruff	1	37	682-45631-00	CLUTCH, dog	1
15	682-44315-00	GASKET, water pump	2	38	90250-05010	PIN, straight	1
16	682-44323-00	OUTER PLATE, cartridge	1	39	648-45633-00	RING, cross pin	1
17	668-45331-00-5B	HOUSING, bearing	1	40	90501-14M06	SPRING, compression	1
18	93101-20048	OIL SEAL	2	41	668-45361-00-EL	CAP, lower casing	1
19	668-45315-00	PACKING, lower casing	1	42	93306-00501	BEARING (B6005)	1
20	93606-12019	PIN, dowel	2	43	93315-317U2	BEARING, cylindrical	1
21	97395-06045	BOLT	4	44	93101-17054	OIL SEAL	2
22	92990-06600	WASHER, plate	4	45	93210-74M68	O-RING	1
23	682-44328-00	PLATE	2	46	97395-06020	BOLT	2
24	668-45536-00	SLEEVE, drive shaft	1	47	92990-06600	WASHER, plate	2
25	668-45501-00	DRIVE SHAFT COMP. (Short)	1 UR	48	668-44150-00	SHIFT CAM ASSY (Short)	1 UR
	668-45501-10	DRIVE SHAFT COMP. (Long)	1 UR		668-44150-10	SHIFT CAM ASSY (Long)	1 UR
	668-45501-20	DRIVE SHAFT COMP. (Ultra Long)	1 UR		668-44150-20	SHIFT CAM ASSY (Ultra Long)	1 UR
26	668-45551-00	PINION	1	49	682-44147-00	.BOOT, shift rod	1
27	668-45587-00-10	SHIM	1 UR	50	682-44176-00	BRACKET	1
	668-45587-00-14	SHIM	1 UR	51	97780-50510	SCREW, tapping	1
	668-45587-00-18	SHIM	1 UR				

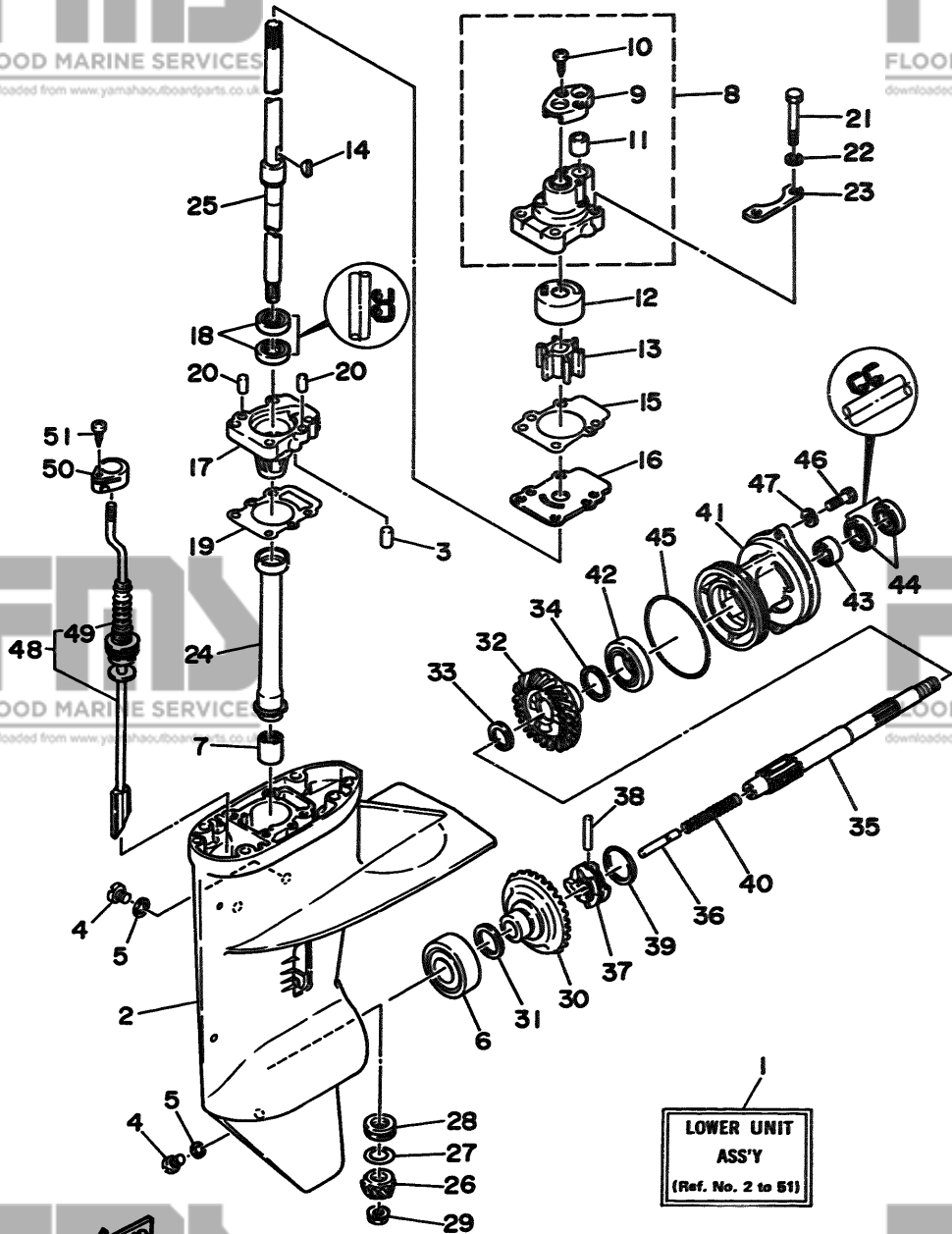
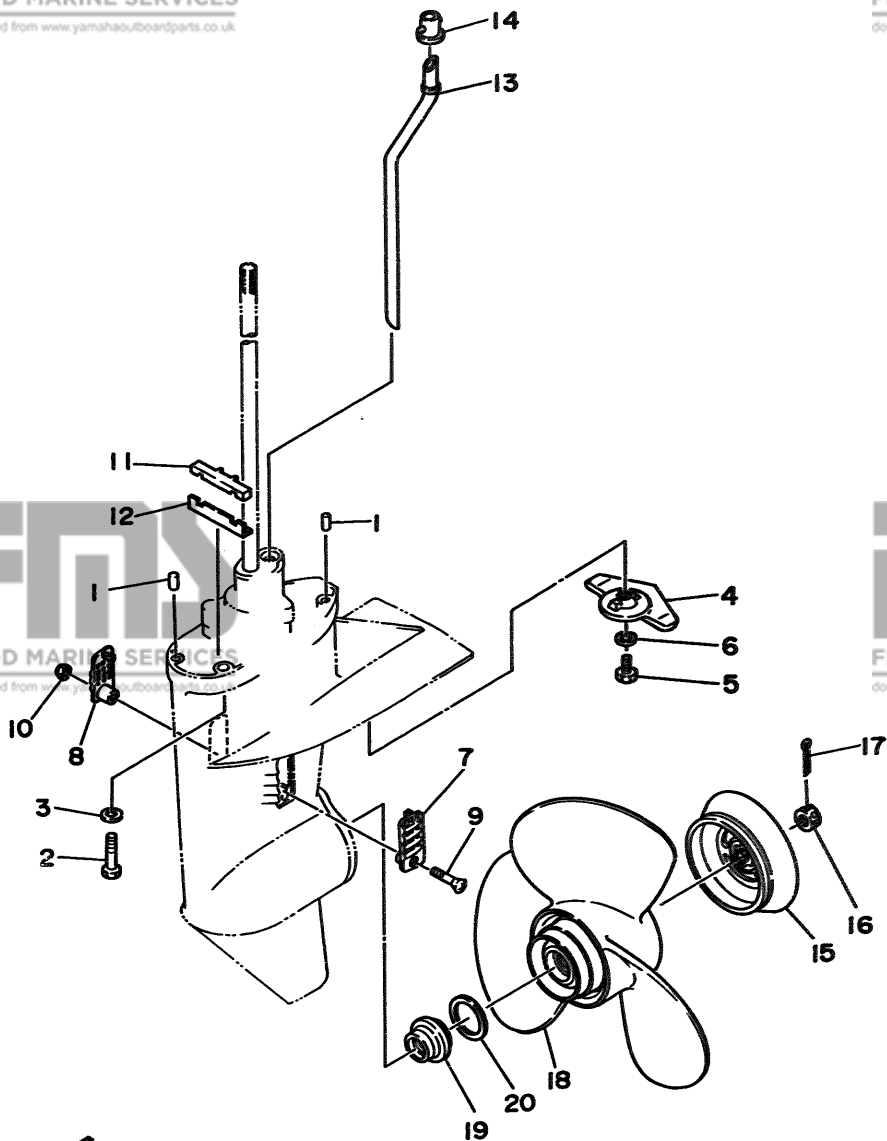


Fig. 19 LOWER CASING. DRIVE 2

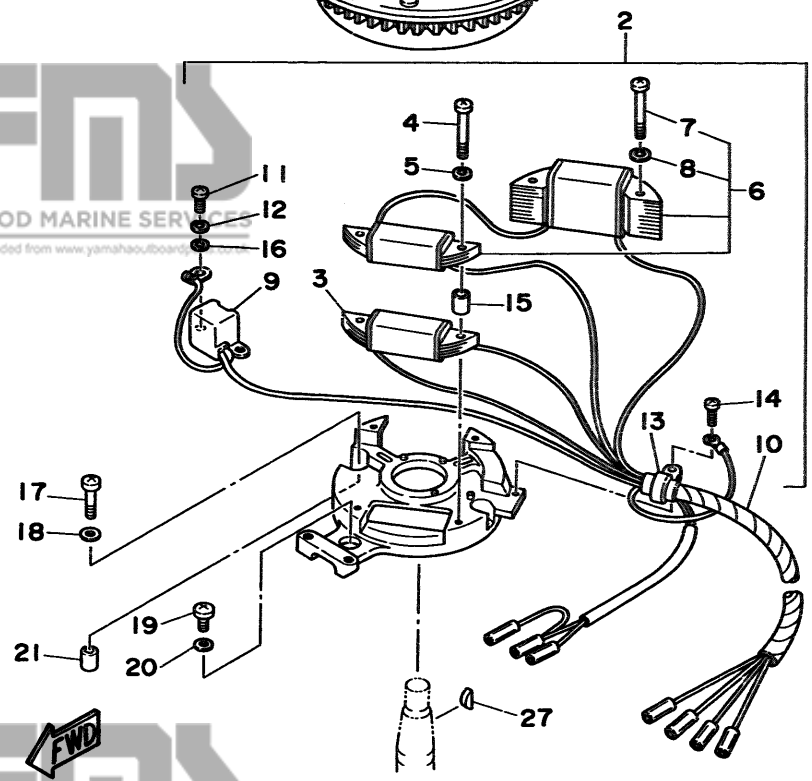
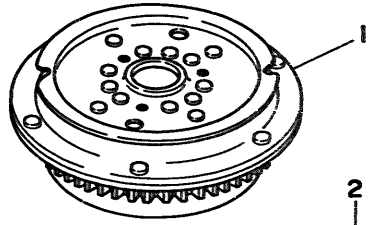
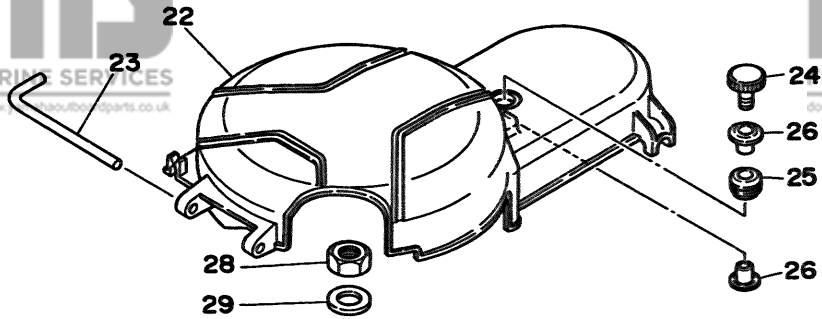
Ref.No.	Parts No.	Description	Q'ty	Ref.No.	Parts No.	Description	Q'ty
1	93606-12019	PIN, dowel	2	13	669-44361-00	TUBE, water (Short)	1 UR
2	97090-08035	BOLT	4		668-44361-10	TUBE, water (Long)	1 UR
3	92990-08660	WASHER, plate	4		668-44361-20	TUBE, water (Ultra Long)	1 UR
4	668-45251-01	ANODE	1	14	626-44365-01	DAMPER, water seal	1
5	97395-06020	BOLT	1	15	668-45986-00	RING, deflector	1
6	92990-06600	WASHER, plate	1	16	90171-10M07	NUT, castle	1
7	668-45214-00	COVER, water inlet	1	17	91490-30030	PIN, cotter	1
8	668-45215-00	COVER, water inlet	1	18	668-45941-00	PROPELLER (3X11-3/4"X11"-R)	1 UR
9	98680-05525	SCREW, oval head	1		668-45943-00	PROPELLER (3X11-3/4"X9-1/4"-R)	1 UR
10	90185-05002	NUT, self-locking	1		668-45945-00	PROPELLER (3X11-3/4"X12-1/4"-R)	1 UR
11	682-45375-01	DAMPER, seal	1		668-45947-00-EL	PROPELLER (3X11-3/4"X9-1/4"-R)	
12	682-45376-01	GUIDE, seal damper	1			(Aluminium)	1 UR
				19	668-45987-01	SPACER	1
				20	90201-31MA3	WASHER, plate	1



C7

**Fig. 20 GENERATOR**

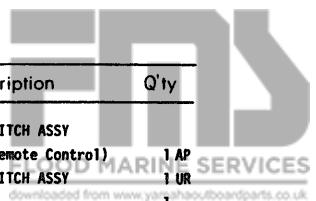
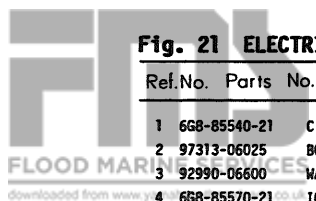
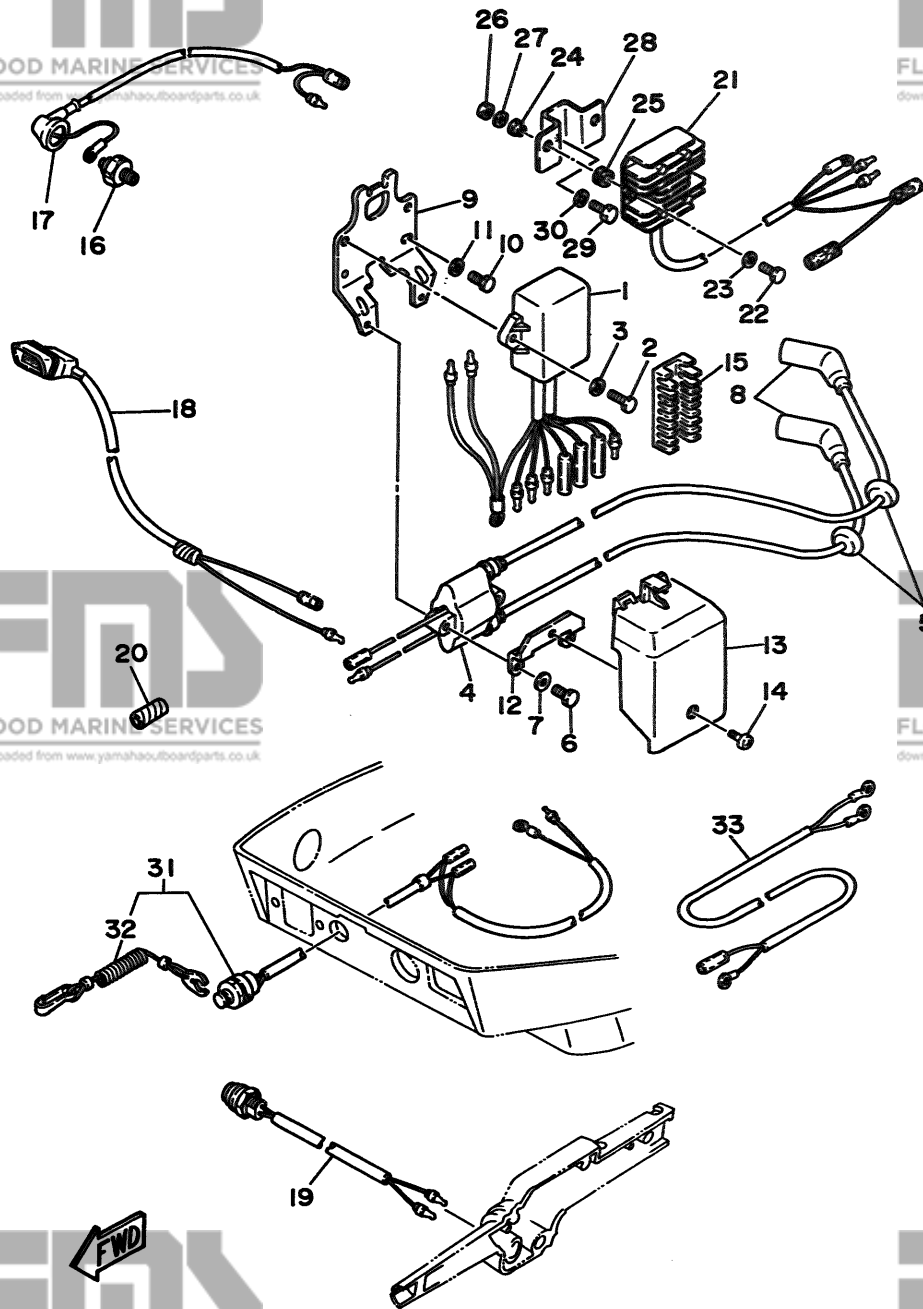
Ref.No.	Parts No.	Description	Q'ty	Ref.No.	Parts No.	Description	Q'ty
1	6G8-85550-J1	ROTOR ASSY	1	16	92990-05600	.WASHER, plate	2
2	6G8-85560-J1	BASE ASSY	1	17	98580-06025	SCREW, pan head	2
	6G8-85520-00	.COIL, charge	1	18	92990-06600	WASHER, plate	2
4	98501-05040	.SCREW, pan head	2	19	92580-06020	SCREW, pan head	1
5	92990-05100	.WASHER, spring	2	20	92990-06600	WASHER, plate	1
6	6G8-81303-J0	.LIGHTING COIL ASSY	1	21	99510-08012	PIN, dowel	2
7	98501-05040	.SCREW, pan head	2	22	6G8-81337-00	COVER, flywheel	1
8	92990-05100	.WASHER, spring	2	23	6G8-42752-00	SHAFT	1
9	6G8-85580-01	.COIL, pulser	1	24	6G8-81323-00	SCREW 1	1
10	6G8-85515-00	.LEAD WIRE ASSY	1	25	90480-15M31	GROMMET	1
11	98580-05012	.SCREW, pan head	2	26	90387-06M71	COLLAR	2
12	92990-05100	.WASHER, spring	2	27	90280-05013	KEY, woodruff	1
13	445-81328-20	.CLAMP	1	28	90170-12066	NUT	1
14	98580-04008	.SCREW, pan head	2	29	90201-12472	WASHER, plate	1
15	6G8-85519-00	.SPACER	2				



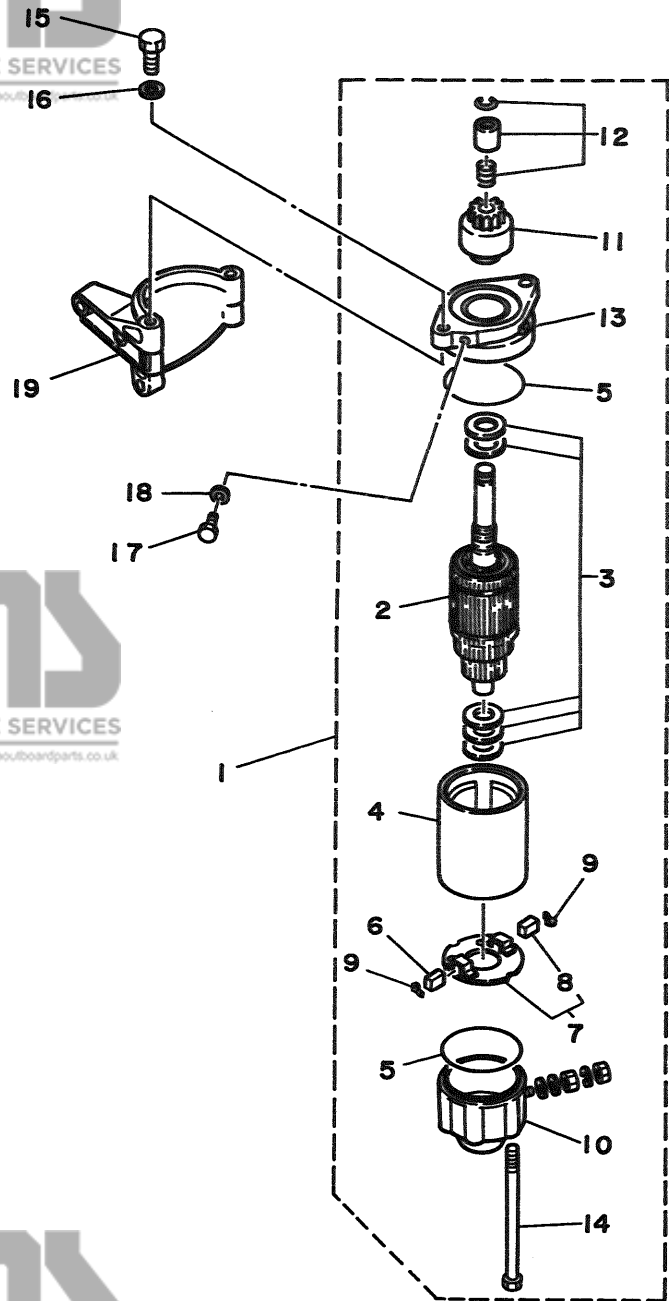
**D1**

**Fig. 21 ELECTRIC PARTS**

Ref.No.	Parts No.	Description	Q'ty	Ref.No.	Parts No.	Description	Q'ty
1	6G8-85540-21	C.D.I. UNIT ASSY	1	19	6G8-82550-20	ENGINE STOP SWITCH ASSY (For Handy Remote Control)	1 AP
2	97313-06025	BOLT	2		6G8-82550-10	ENGINE STOP SWITCH ASSY	1 UR
3	92990-06600	WASHER, plate	2	20	90446-10M02	HOSE	1
4	6G8-85570-21	IGNITION COIL ASSY	1	21	6G8-81960-A1	RECTIFIER & REGULATOR ASSY	1
5	90480-25161	GROMMET	2	22	97313-06025	BOLT	2
6	97313-06020	BOLT	2	23	92990-06600	WASHER, plate	2
7	92990-06600	WASHER, plate	2	24	90387-06M70	COLLAR	2
8	6G8-82370-20	PLUG CAP ASSY	2	25	90480-13M24	GROMMET	2
9	6G8-85542-00	BRACKET	1	26	95303-06700	NUT	2
10	97313-06020	BOLT	2	27	92990-06600	WASHER, plate	2
11	92990-06600	WASHER, plate	2	28	6G8-81948-01	BRACKET	1
12	6G8-85525-00	PLATE	1	29	97313-06016	BOLT	1
13	6G8-81916-00	COVER, terminal	1	30	92990-06600	WASHER, plate	1
14	98980-06008	SCREW, bind	1	31	6G8-82575-00	ENGINE STOP SWITCH ASSY	1
15	6G8-82522-00	CLAMP, coupler	1	32	682-82556-00	.STOPPER	1
16	6G8-82504-00	OIL PRESSURE SWITCH ASSY	1	33	6G8-81949-00	WIRE, lead	1 AP
17	6G8-82127-00	WIRE, lead 2	1				
18	6G8-83582-01	PILOT LIGHT ASSY	1				



**D2**



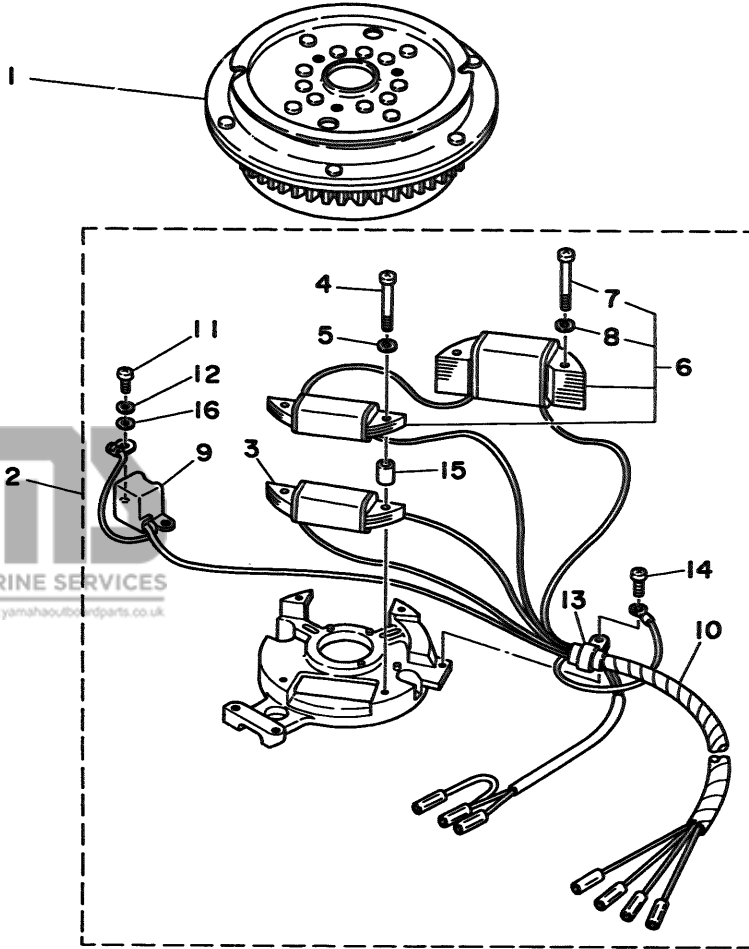
**Fig. 22 ELECTRIC MOTOR (F9.9AEM/F9.9AE MODEL)**

Ref.No.	Parts No.	Description	Q'ty	Ref.No.	Parts No.	Description	Q'ty
1	668-81800-10	STARTING MOTOR ASSY	1	11	689-81807-12	.GEAR ASSY, starting motor	1
2	689-81850-11	.ARMATURE ASSY	1	12	689-81857-11	.RETAINER	1
3	689-81809-11	.WASHER KIT	1	13	6F5-81830-11	.FRONT BRACKET ASSY	1
4	689-81810-11	.STATOR ASSY	1	14	689-81826-10	.BOLT	2
5	.O-RING	2	15	97013-08025	BOLT	2	
6	689-81811-11	.BRUSH 1	1	16	92990-08600	WASHER, plate	2
7	689-81840-11	.BRUSH HOLDER ASSY	1	17	97395-08016	BOLT	1
8	689-81812-11	.BRUSH 2	1	18	92990-08600	WASHER, plate	1
9	689-81813-10	.SPRING, brush	2	19	668-81822-40-94	BRACKET, starting motor	1
10	689-81820-11	.REAR BRACKET ASSY	1				



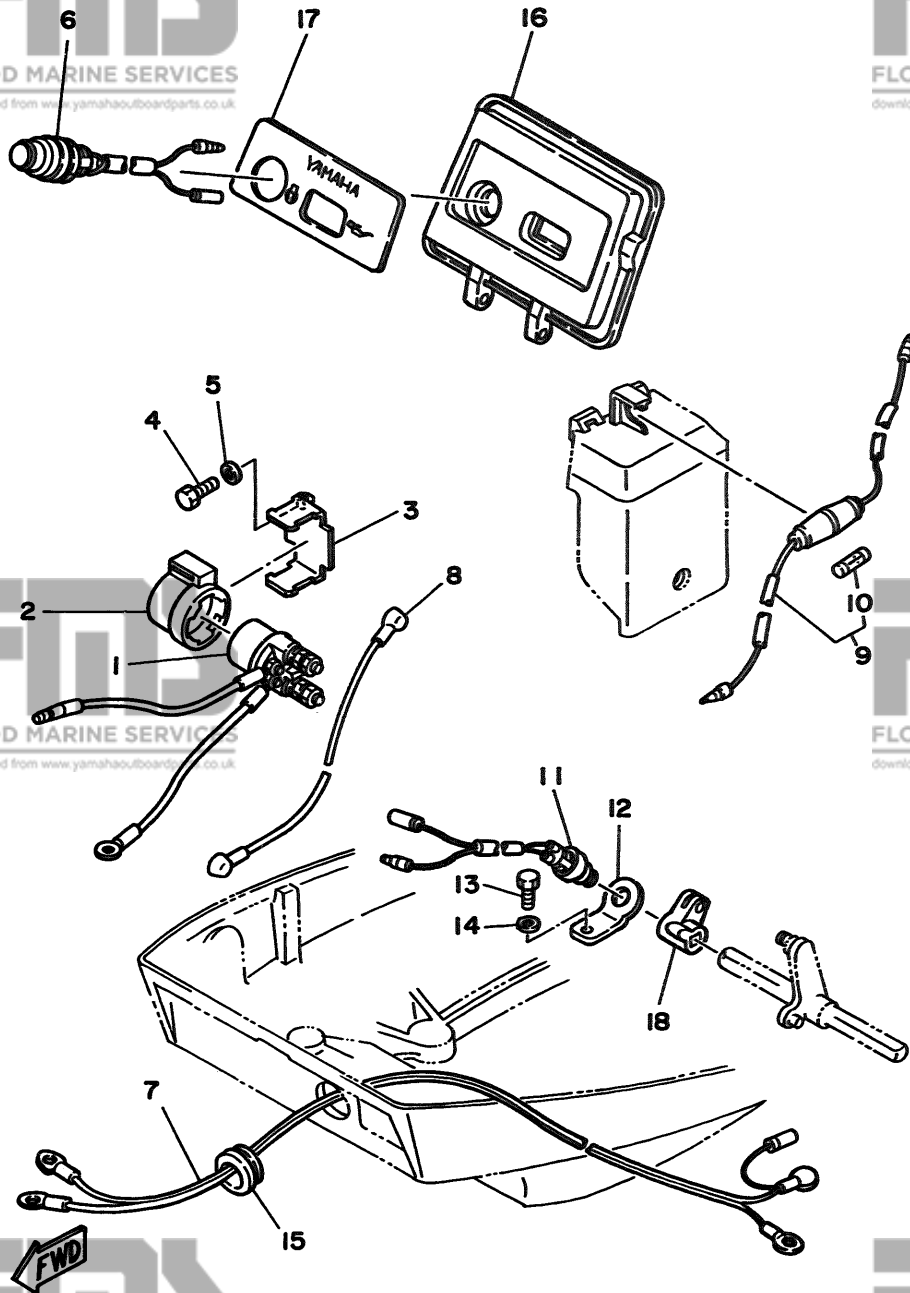
**Fig. 23 GENERATOR (F9.9AEM/F9.9AE MODEL)**

Ref.No.	Parts No.	Description	Q'ty	Ref.No.	Parts No.	Description	Q'ty
1	6G8-85550-K1	ROTOR ASSY	1	9	6G8-85580-01	.COIL, pulser	1
2	6G8-85560-J1	BASE ASSY	1	10	6G8-85515-00	.LEAD WIRE ASSY	1
3	6G8-85520-00	.COIL, charge	1	11	98580-05012	.SCREW, pan head	2
4	98501-05040	.SCREW, pan head	2	12	92990-05100	.WASHER, spring	2
5	92990-05100	.WASHER, spring	2	13	445-81328-20	.CLAMP	1
6	6G8-81303-J0	.LIGHTING COIL ASSY	1	14	98580-04008	.SCREW, pan head	2
7	98501-05040	.SCREW, pan head	2	15	6G8-85519-00	.SPACER	2
8	92990-05100	.WASHER, spring	2	16	92990-05600	.WASHER, plate	2



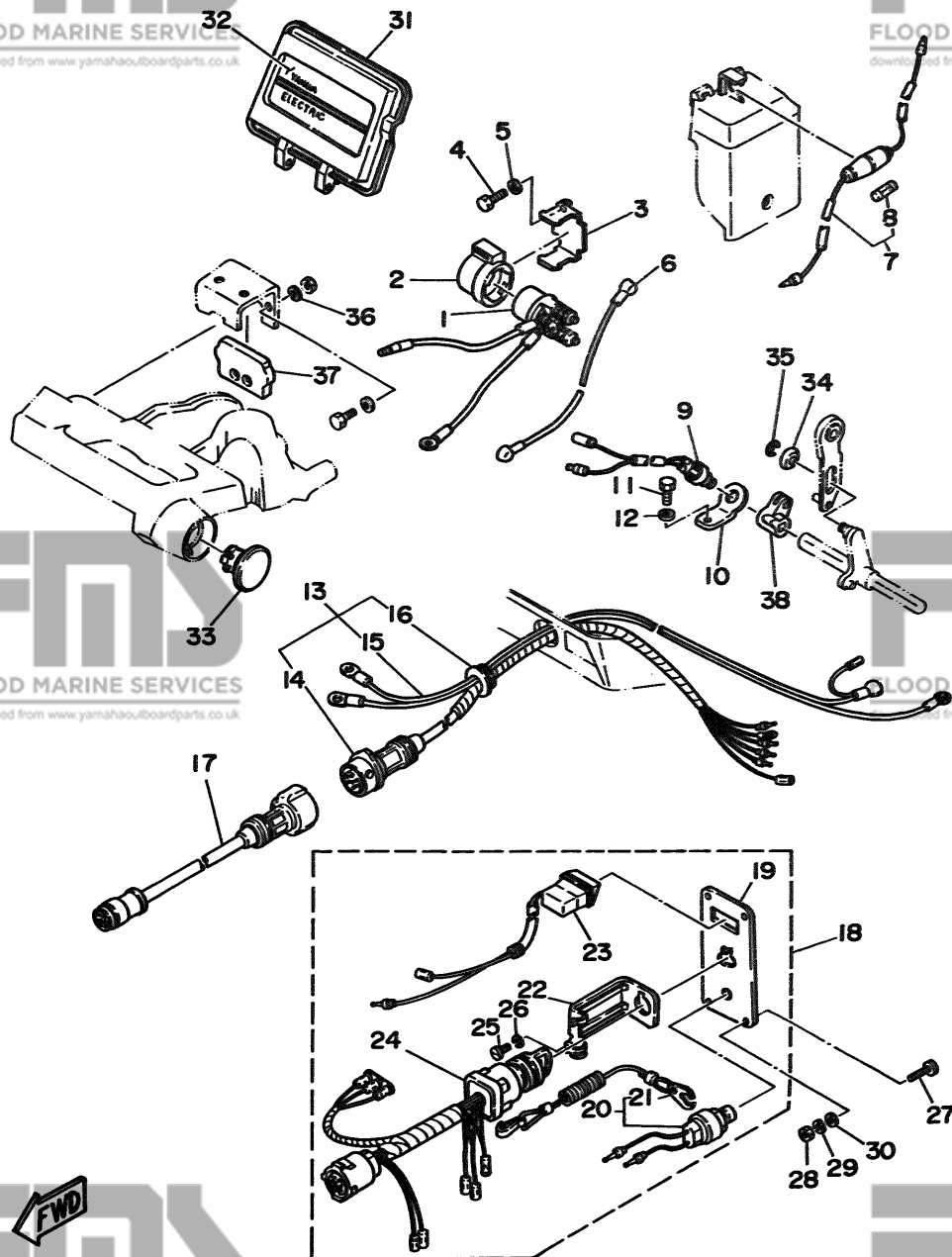
**Fig. 24 ELECTRIC PARTS 1 (F9.9AEM MODEL)**

Ref.No.	Parts No.	Description	Q'ty	Ref.No.	Parts No.	Description	Q'ty
1	6J0-81941-10	STARTER RELAY ASSY	1	10	682-82151-00	.FUSE (12V-20A)	1
2	6G1-81952-00	HOLDER, relay	1	11	6H3-82540-00	NEUTRAL SWITCH ASSY	1
3	6G8-81953-00	STAY, relay	1	12	6G8-82554-00	STAY, neutral switch	1
4	97013-06012	BOLT	1	13	97013-06012	BOLT	1
5	92990-06600	WASHER, plate	1	14	92990-06600	WASHER, plate	1
6	6G8-81870-00	STARTING SWITCH ASSY	1	15	6G8-42724-40	GROMMET	1
7	6G8-82105-00	WIRE HARNESS	1	16	6G8-W4261-10	PANEL, front upper	1
8	6G8-82117-00	WIRE, lead	1	17	6G8-42677-10	GRAPHIC, front	1
9	6G8-82150-00	FUSE HOLDER ASSY	1	18	6G8-44125-00	LEVER, shift rod	1

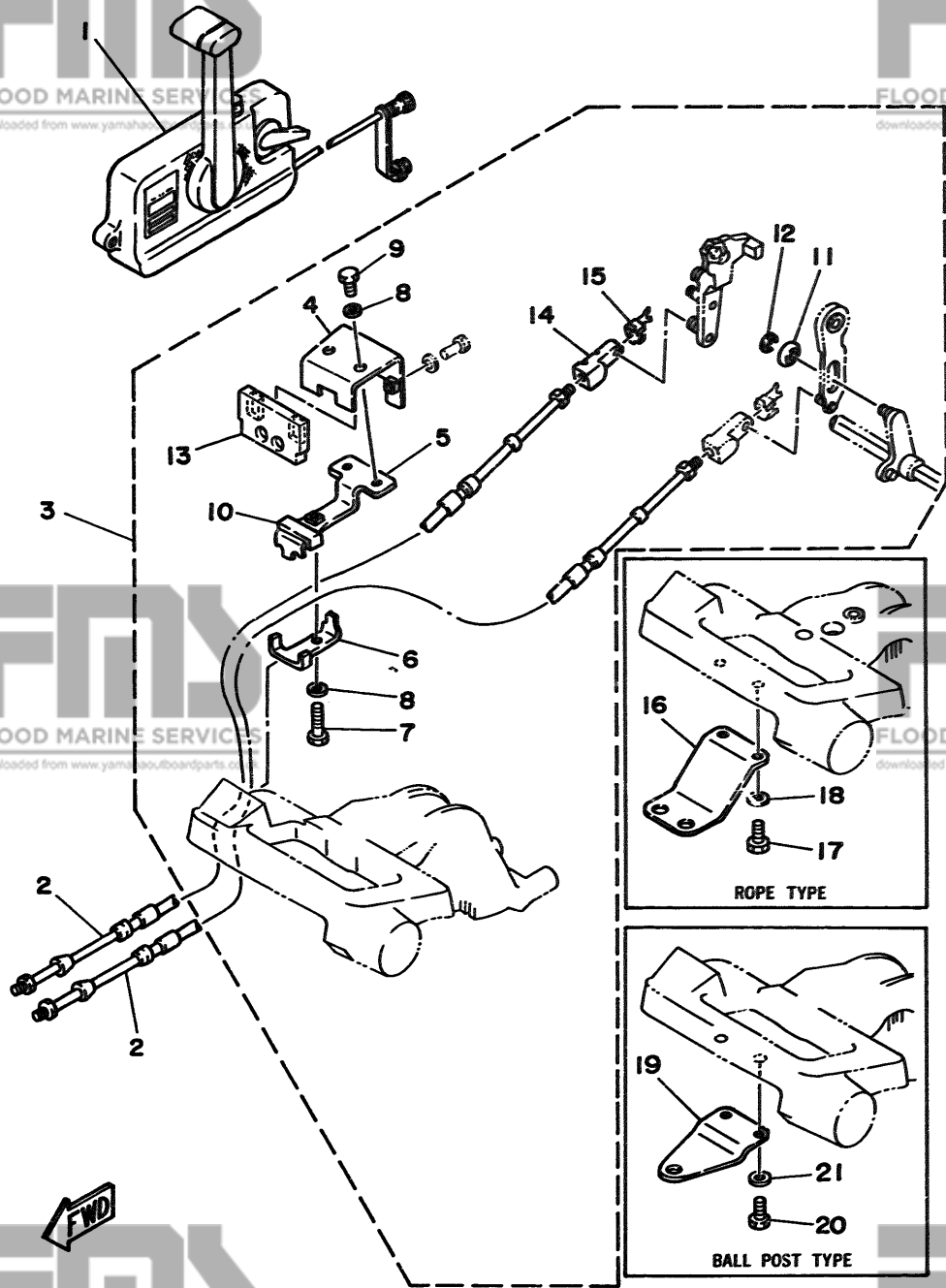


**Fig. 25 ELECTRIC PARTS 2 (F9.9AE MODEL)**

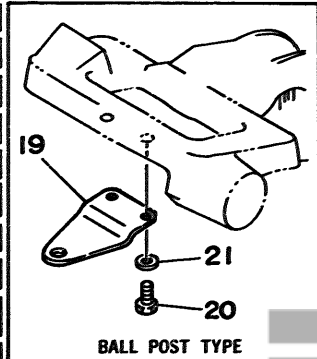
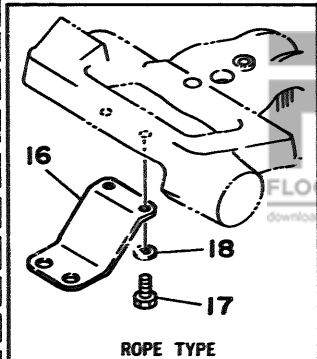
Ref.No.	Parts No.	Description	Q'ty	Ref.No.	Parts No.	Description	Q'ty
1	6J0-81941-10	STARTER RELAY ASSY	1	20	688-82575-01	.ENGINE STOP SWITCH ASSY	1
2	6G1-81952-00	HOLDER, relay	1	21	682-82556-00	..STOPPER	1
3	6G8-81953-00	STAY, relay	1	22	663-82581-01	.STAY, cord clamp	1
4	97013-06012	BOLT	1	23	668-83582-01	.PILOT LIGHT ASSY	1
5	92990-06600	WASHER, plate	1	24	668-82510-00	.MAIN SWITCH ASSY	1
6	6G8-82117-00	WIRE, lead	1	25	98980-04008	.SCREW, bind	1
7	6G8-82150-00	FUSE HOLDER ASSY	1	26	92903-04100	.WASHER, spring	1
8	682-82151-00	.FUSE (12V-20A)	1	27	90149-05M05	SCREW	4
9	6H3-82540-00	NEUTRAL SWITCH ASSY	1	28	95380-05600	NUT	4
10	668-82554-00	STAY, neutral switch	1	29	92990-05100	WASHER, spring	4
11	97013-06012	BOLT	1	30	92990-05600	WASHER, plate	4
12	92990-06600	WASHER, plate	1	31	668-W4261-10	PANEL, front upper	1
13	668-82580-00	WIRE HARNESS ASSY 2	1	32	668-42677-20	GRAPHIC, front	1
14	668-82590-00	.WIRE HARNESS ASSY	1	33	668-42551-00	GROMMET	1
15	668-82105-00	.WIRE HARNESS	1	34	90387-06M73	COLLAR	1
16	668-42724-50	.GROMMET	1	35	93430-04M03	CIRCLIP	1
17	688-82586-50	EXTENSION, wireharness L:5m (7P)	1	36	92990-06600	WASHER, plate	2
18	668-82570-02	PANEL SWITCH ASSY	1	37	668-48351-51	SEAL, rubber	1
19	668-82571-01	.PANEL, switch	1	38	668-44125-00	LEVER, shift rod	1



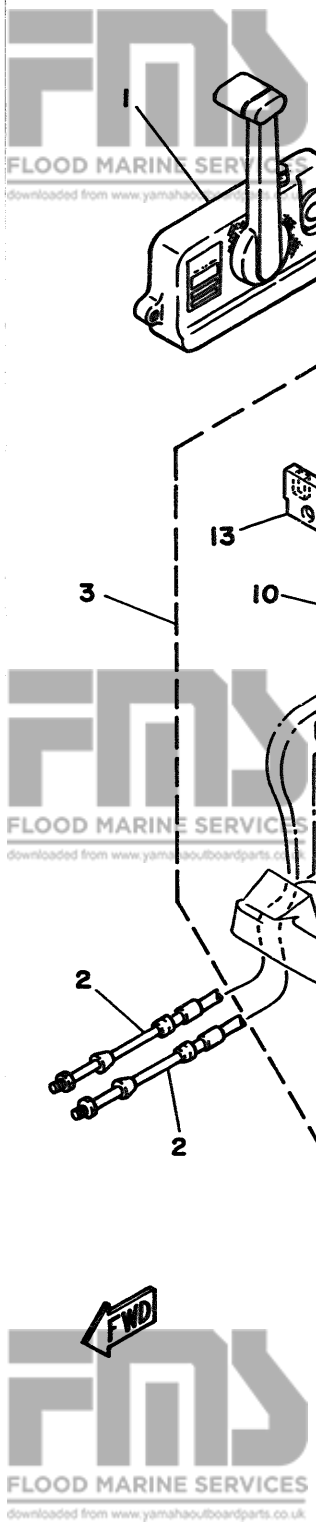
**Fig. 26 REMOTE CONTROL**



Ref.No.	Parts No.	Description	Q'ty	Ref.No.	Parts No.	Description	Q'ty
1	701-48101-10	REMOTE CONTROL ASSY (See Fig.27)	1	4	668-48531-51	.BRACKET, remote control 1	1
2	701-48310-40	CABLE, remote control (L:8F)	2 UR	5	668-48532-50	.BRACKET, remote control 2	1
	701-48310-60	CABLE, remote control (L:9F)	2 UR	6	668-48538-50	.CLAMP, cable 1	1
	701-48310-80	CABLE, remote control (L:10F)	2 UR	7	97395-06030	.BOLT	1
	701-48310-90	CABLE, remote control (L:11F)	2 UR	8	92990-06600	.WASHER, plate	3
	701-48320-00	CABLE, remote control (L:12F)	2 UR	9	97395-06012	.BOLT	2
	701-48320-20	CABLE, remote control (L:13F)	2 UR	10	668-48565-50	.GROMMET	1
	701-48320-30	CABLE, remote control (L:14F)	2 UR	11	90387-06M73	.COLLAR	1
	701-48320-50	CABLE, remote control (L:15F)	2 UR	12	93430-04M03	.CIRCLIP	1
	701-48320-60	CABLE, remote control (L:16F)	2 UR	13	668-48351-51	.SEAL, rubber	1
	701-48320-80	CABLE, remote control (L:17F)	2 UR	14	668-26363-00	.END, cable	1
	701-48320-90	CABLE, remote control (L:18F)	2 UR	15	668-26364-00	.END, cable 2	1
	701-48320-40	CABLE, remote control (L:19F)	2 UR	16	668-48511-00	HOOK, steering (Rope Type)	1 AP
	701-48320-70	CABLE, remote control (L:20F)	2 UR	17	97395-06016	BOLT	2
	701-48350-00	CABLE, remote control (L:21F)	2 UR	18	92990-06600	WASHER, plate	2
	701-48350-10	CABLE, remote control (L:22F)	2 UR	19	668-48511-10	HOOK, steering (Ball Post Type)	1 AP
	701-48350-20	CABLE, remote control (L:23F)	2 UR	20	97395-06016	BOLT	2
3	668-48501-03	REMOTE CONT. ATTACHMENT ASSY	1	21	92990-06600	WASHER, plate	2

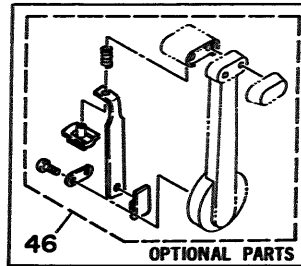
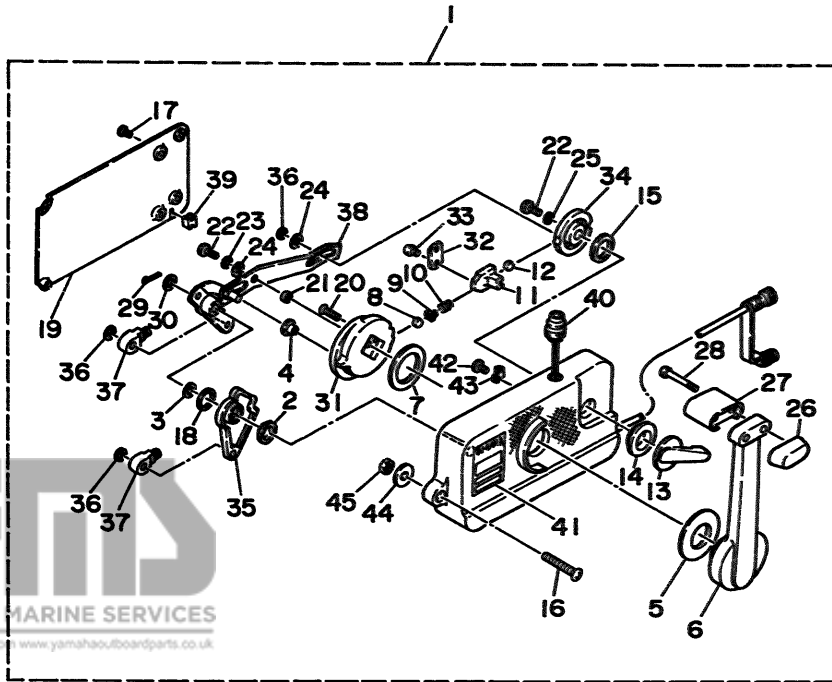


**D7**



**Fig. 27 REMOTE CONTROL ASSY**

Ref.No.	Parts No.	Description	Q'ty	Ref.No.	Parts No.	Description	Q'ty
1	701-48101-10	REMOTE CONTROL ASSY	1	24	701-48246-00	.SPACER	2
2	701-48235-00	.BUSHING	1	25	92990-06300	.WASHER, internal tooth	1
3	701-48197-10	.WASHER, wave	1	26	701-48229-00	.GRIP, control lever	1
4	701-48252-00	.ROLLER, cam	1	27	701-48222-00	.GRIP, control lever	1
5	701-48234-00	.BUSHING 1	1	28	701-48282-00	.SCREW	2
6	701-48221-00	.LEVER, control	1	29	701-48239-00	.SET PIN, plate	1
7	701-48196-11	.WASHER, wave	1	30	701-48266-00	.SPACER	1
8	701-48236-00	.ROLLER, detent	1	31	701-48232-00	.GEAR	1
9	702-48237-00	.ADAPTOR	1	32	701-48189-11	.RETAINER	1
10	702-48238-00	.SPRING, detent	1	33	98580-05010	.SCREW, pan head	2
11	701-48249-00	.ADAPTOR, spring	1	34	701-48153-12	.SHAFT, free accel.	1
12	701-48248-00	.ROLLER, free accel.	1	35	701-48271-00	.ARM, shift	1
13	701-48152-11	.KNOB, free accel.	1	36	93430-06024	.CIRCLIP	3
14	701-48243-00	.BUSHING	1	37	703-48345-01	.CABLE END, remote control 2	2
15	701-48198-10	.WASHER, wave	1	38	701-48261-00	.ARM, throttle	1
16	701-48281-00	.SCREW	3	39	701-48358-00	.ANCHOR, cable	1
17	98580-05010	.SCREW, pan head	4	40	701-82550-50	.ENGINE STOP SWITCH ASSY	1
18	701-48268-00	.SPACER	1	41	701-48126-00	.GRAPHIC	1
19	701-48213-00	.PLATE	1	42	701-48283-00	.SCREW	1
20	92780-06025	.SCREW, flat head	2	43	701-82594-00	.CLAMP	1
21	701-48255-00	.COLLAR	1	44	701-48287-00	.WASHER	3
22	97395-06018	.BOLT	2	45	95380-06600	.NUT	3
23	702-48288-00	.WASHER, plain	1	46	701-48280-00	NEUTRAL LOCK KIT	1 AP



**Fig. 28 OPTIONAL PARTS**

Ref.No.	Parts No.	Description	Q'ty	Ref.No.	Parts No.	Description	Q'ty
1	689-82550-11	ENGINE STOP SWITCH ASSY (5m)	1	6	689-82553-10	EXTENSION, wire lead	1
2	6A0-82553-20	EXTENSION, wire lead	1	7	668-W4537-00	WELL-TYPE EXHAUST KIT	1
3	689-82575-12	ENGINE STOP SWITCH ASSY (5m)	1	8	668-14611-00	.PIPE, exhaust 1	1
4	682-82556-00	.STOPPER	1	9	668-44391-10	.NIPPLE, hose	1
5	6A0-82553-20	EXTENSION, wire lead	1	10	668-45375-10	.DAMPER, seal	1

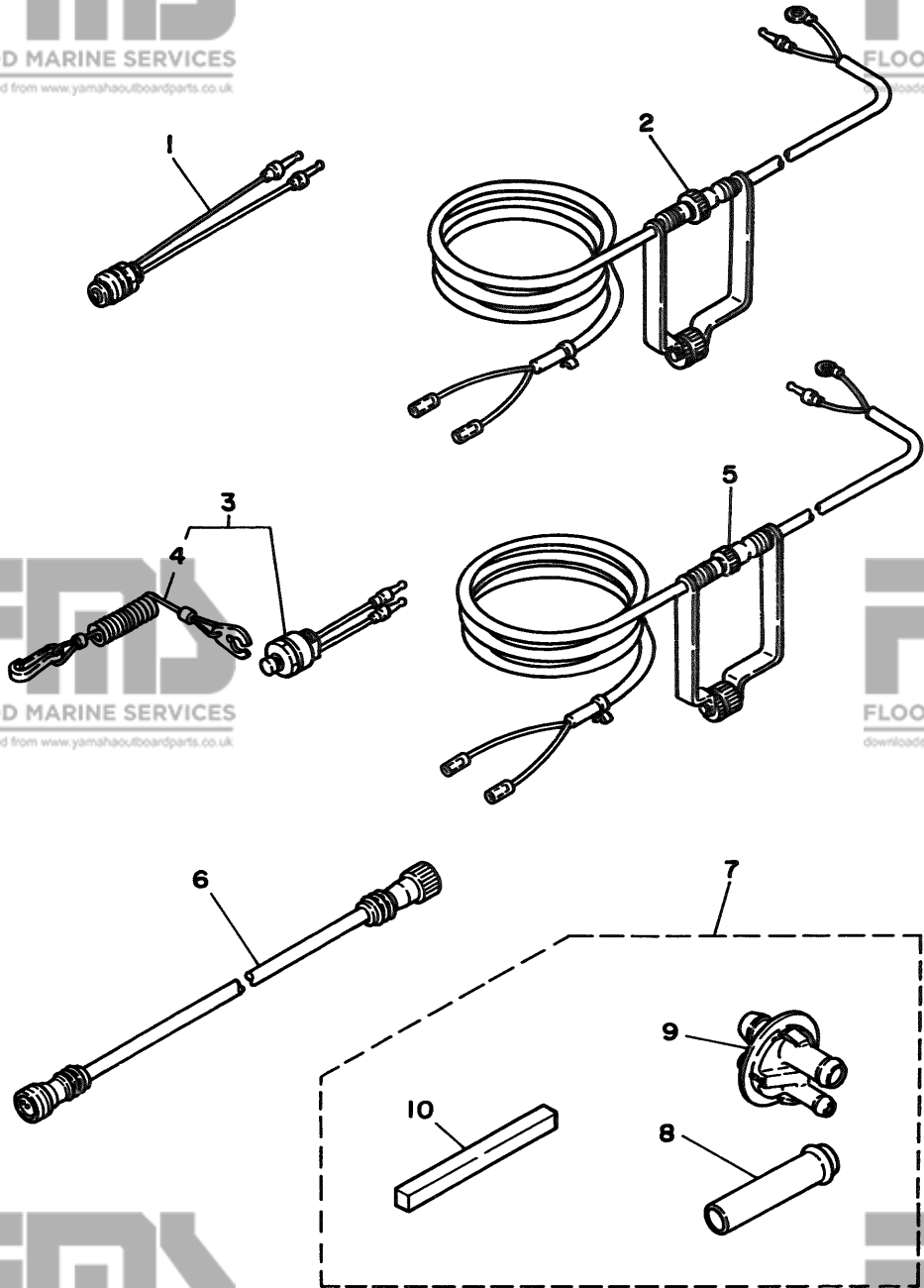
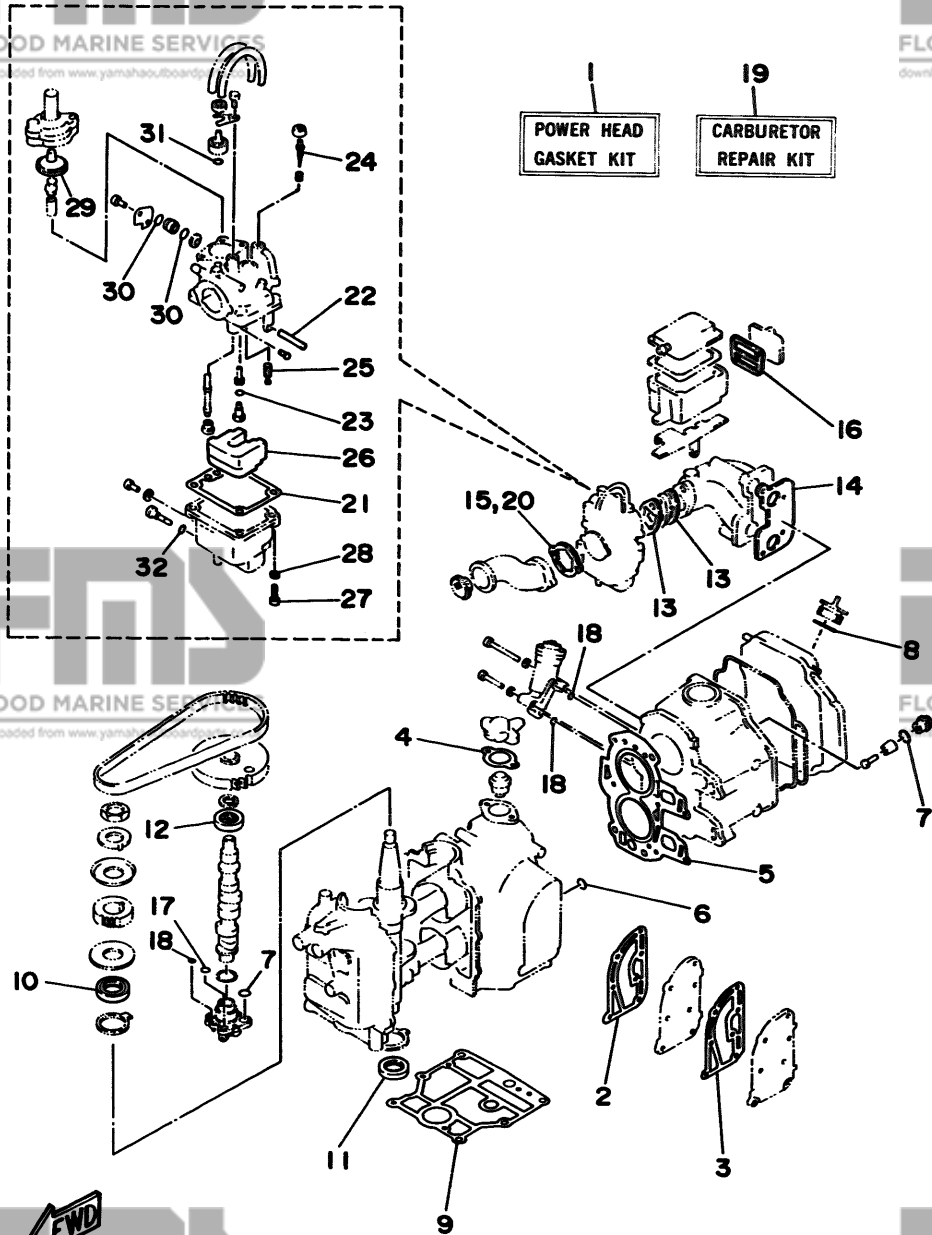


Fig. 29 REPAIR KIT 1

Ref.No.	Parts No.	Description	Q'ty	Ref.No.	Parts No.	Description	Q'ty
1	668-W001-02	POWER HEAD GASKET KIT	1	17	93210-10M61	.O-RING	1
2	668-41112-02	.GASKET, exhaust inner cover	1	18	93210-09M01	.O-RING	3
3	668-41114-00	.GASKET, exhaust outer cover	1	19	668-W0093-00	CARBURETOR REPAIR KIT	1
4	668-12414-00	.GASKET, cover	1	20	668-14198-00	.GASKET	1
5	668-11181-00	.GASKET, cylinder head 1	1	21	668-14384-00	.GASKET, float chamber	1
6	93210-11M59	.O-RING	1	22	647-14386-00	.PIN, float	1
7	93210-13M63	.O-RING	3	23	654-14198-00	.GASKET	1
8	93210-24M79	.O-RING	1	24	668-14323-00	.SCREW, air adjusting	1
9	668-11351-00	.GASKET, cylinder	1	25	668-14392-00	.VALVE, needle	1
10	93102-30M22	.OIL SEAL	1	26	668-14385-00	.FLOAT	1
11	93101-25M24	.OIL SEAL	1	27	98580-04016	.SCREW, pan head	1
12	93102-18M21	.OIL SEAL	1	28	92903-04100	.WASHER, spring	1
13	668-13646-00	.GASKET, manifold 2	2	29	33A-14369-00	.DIAPHRAGM ASSY 2	1
14	668-13645-00	.GASKET, manifold 1	1	30	1J2-14397-00	.O-RING	2
15	668-14198-00	.GASKET	1	31	5H0-14397-00	.O-RING	1
16	668-15374-00	.GASKET, breather	1	32	5Y1-14397-00	.O-RING	1



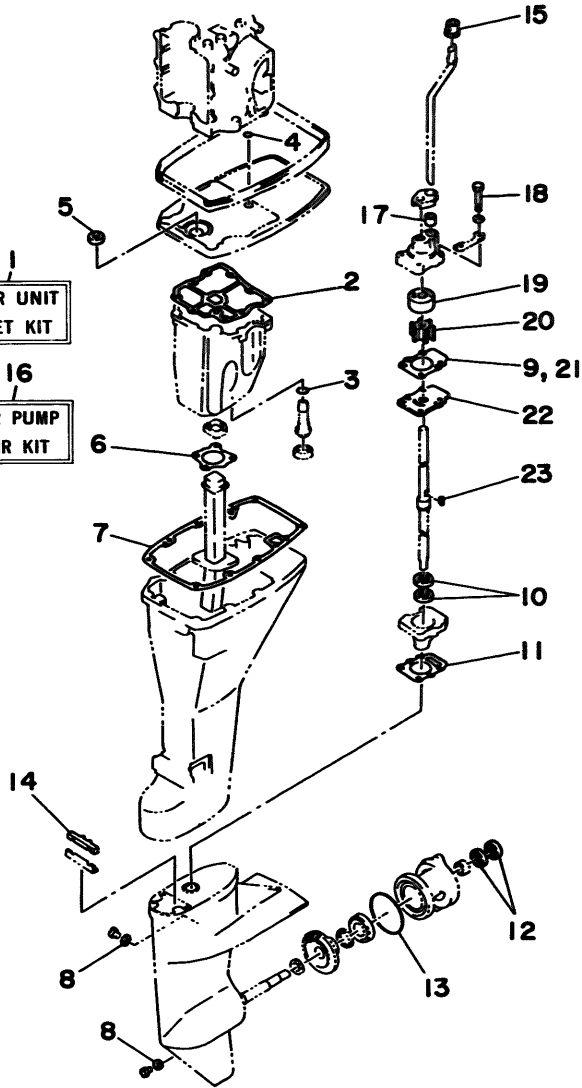


Fig. 30 REPAIR KIT 2

Ref.No.	Parts No.	Description	Q'ty	Ref.No.	Parts No.	Description	Q'ty
1	668-W0001-23	LOWER UNIT GASKET KIT	1	13	93210-74M68	.O-RING	1
2	668-15312-01	.GASKET, oil pan	1	14	682-45375-01	.DAMPER, seal	1
3	93210-16M64	.O-RING	1	15	626-44365-01	.DAMPER, water seal	1
4	93210-08M60	.O-RING	1	16	682-W0078-00	WATER PUMP REPAIR KIT	1
5	93101-13M27	.OIL SEAL	1	17	682-44365-00	.DAMPER, water seal	1
6	668-41133-01	.GASKET, exhaust manifold 1	1	18	97395-06040	.BOLT	4
7	668-45113-00	.GASKET, upper casing	1	19	682-44322-00	.INSERT, cartridge	1
8	90430-08020	.GASKET	3	20	682-44352-01	.IMPELLER	1
9	682-44315-00	.GASKET, water pump	2	21	682-44315-00	.GASKET, water pump	2
10	93101-20048	.OIL SEAL	2	22	682-44323-00	.OUTER PLATE, cartridge	1
11	668-45315-00	.PACKING, lower casing	1	23	90280-03024	.KEY, woodruff	1
12	93101-17054	.OIL SEAL	2				



REF. NO.		PART NO.		REF. NO.		PART NO.		REF. NO.		PART NO.		REF. NO.		PART NO.	
6G8-W0001-02	29- 1	6G8-12111-00	3- 1	6G8-14323-00	29-24	6G8-15347-00	4-25	6Y4-24275-80	10- 5	6G8-42147-01	15- 7				
6G8-W0001-23	30- 1	6G8-12113-00	3- 4	647-14334-00	5-11	6G8-15358-00	4-18	6G1-24304-02	9- 1	6G8-42177-00	15-24				
6G8-W0070-00	11- 9	6G8-12116-00	3- 3	6G8-14341-00	5- 9	6G8-15362-03	7-17	6G1-24305-00	10-11	6G8-42511-02-EL	13-27				
6B2-W0078-00	30-16	6G8-12117-00	3- 5	6G8-14342-21	5- 5	6G8-15363-00	1-46	6Y4-24306-80	10-10	6G8-42512-00-94	14-24				
6G8-W0084-81-EL	15-31	6G8-12117-10	3- 7	648-14343-47	5- 8	6G8-15368-00-94	4-20	6G8-24311-00	9- 5	6G8-42521-10-94	13-32				
6G8-W0090-08-EL	1- 1	30X-12118-00	3- 6	6A4-14344-31	5-33	6G8-15369-00	4-21	6G8-24329-00	9- 2	6G9-42521-00-94	13-32				
6G8-W0093-00	29-19	51Y-12119-00	3- 9	6G8-14345-00	5- 7	6G8-15371-00-94	4-23	6Y1-24329-00	10- 8	6G8-42528-00	13-22				
6Y4-W2420-80-24	10- 1	6G8-12121-01	3- 2	6G8-14346-01	5-17	6G8-15373-00	1-37	650-24351-01	10-13	6G8-42534-00	13-28				
676-W2810-00	10-18	6G8-12146-00	3-13	6G8-14346-10	5-48	6G8-15374-00	4-28		10-17	6G8-42537-00	13-34				
6G8-W4261-00	12-29	6G8-12151-00	3-10	44J-14349-00	5-41		29-16	6Y1-24360-02	10-15	6G8-42551-00	25-33				
6G8-W4261-10	24-16	6G8-12153-00	3- 8	6G8-14355-00	5-25	6G8-15376-00	4-34	6E5-24377-00	1-17	6G8-42561-00	13- 7				
	25-31	6G8-12158-00	3-12	14T-14367-00	5-29	6G8-15379-00	7- 3		17- 2	6G8-42610-01-EL	11- 1				
6G8-W4537-00	28- 7	6G8-12159-00	3-11	6G8-14368-00	5-26	6G8-15393-00	4-31	6E0-24378-00	4-46	6G8-42613-00-EL	11- 6				
6G8-11111-02-94	1-22	6G8-12171-00	6-11	33A-14369-00	5-30	6G8-15710-10	8- 1	6G8-24410-01	9- 9	6G8-42615-00	11- 2				
6G8-11133-10	1-23	6G8-12411-02	1-15		29-29	6G8-15711-00	8- 2	6G8-24411-01	9-11	6G8-42628-01	11-12				
6G8-11181-00	1-33	6G8-12413-00-94	1-16	6G8-14371-00	5-31	6G8-15712-00	8-30	6G8-24421-00	9-10	6G8-42629-01	12-31				
	29- 5	6G8-12414-00	1-18	6G8-14373-00	5-27	6G8-15713-00	8- 4	6Y1-24610-12	10- 4	6G8-42651-00	11- 3				
6G8-11191-01-94	1-35		29- 4	6G8-14374-00	5-28	6G8-15714-00	8- 3	6G8-26363-00	16-21	6G8-42652-00	11- 4				
6G8-11197-00	1-44	6G8-12481-00	1-27	6G8-14377-00	5-38	6G8-15715-00	8- 7		26-14	6G8-42677-00	12-30				
6G8-11325-00	1-42	6G8-12482-00	12-10	6G8-14381-00	5- 3	6G8-15716-00	8-27	6G8-26364-00	16-22	6G8-42677-10	24-17				
6G8-11351-00	1- 6	6G8-13300-02	6-13	6G8-14383-00	5-40	6G8-15719-00	8- 5		26-15	6G8-42677-20	25-32				
	29- 9	6G8-13421-00	7-12	6G8-14384-00	5- 2	6G8-15723-00	8- 6	6G8-41111-02-9M	1- 7	6G8-42678-00	11-11				
6G8-11355-00	17-29	6G8-13440-00	6-21		29-21	6G8-15726-00	8-21	6G8-41112-02	1- 8	6G8-42681-00	11-10				
6G8-11356-00	1-39	6G8-13442-00-94	6-20	6G8-14385-00	5-15	6G8-15727-00	8- 9		29- 2	6G8-42711-01-EL	12- 1				
6G8-11370-00	4- 7	6G8-13471-00	7-15		29-26	6G8-15734-00	8-25	6G8-41113-01-9M	1-10	6G8-42716-00	17-10				
6G8-11372-01	1-26	6G8-13487-00	7- 4	647-14386-00	5- 4	6G8-15739-00	8-17	6G8-41114-00	1- 9	6G8-42719-00-EL	12-24				
676-11372-00	1-25	6G8-13641-00-94	4- 6		29-22	6G8-15742-00	8-33		29- 3	6G8-42724-00	12- 7				
	1-38	6G8-13645-00	4- 8	6G8-14392-00	5-14	6G8-15746-00	8-23	6G8-41131-01	17-11	6G8-42724-40	24-15				
6G8-11395-10	4-38		29-14		29-25	6G8-15747-00	8-26	6G8-41133-01	17-14	6G8-42724-50	25-16				
6G8-11411-04	2- 1	6G8-13646-00	4- 1	36F-14396-00	5-44	6F5-15752-00	8-12		30- 6	6G8-42725-10	12- 8				
6G8-11416-00	2- 4		29-13	1J2-14397-00	5-35	663-15753-00	8-13	6G8-41137-02-94	17- 1	6H4-42725-00	15-10				
6G8-11416-10	2- 4	6G8-13647-00	4- 5		29-30	6G8-15754-00	8- 8	6G8-41138-00	8- 8	6G8-42727-00	12-11				
6G8-11416-20	2- 4	6G8-14197-00	5-16	5H0-14397-00	5-36	6G1-15755-00	8-34	6G8-41212-00	16-23	6G8-42738-00-94	12-23				
6G8-11426-00	2- 8	6G8-14198-00	4-15		29-31	6G8-15767-00	8-24	6G8-41237-01	16-29	6G8-42741-00-EL	17-24				
6G8-11536-00-94	6- 2		29-15	5Y1-14397-00	5-39	6G8-15768-00	8-10	6G8-41238-01	16-26	6G8-42748-00	12-20				
6G8-11537-00-94	6- 6		29-20		29-32	6G8-15770-00	8-38	6G8-41241-01	16-27	6G8-42752-00	20-23				
6G8-11557-00	6- 3	654-14198-00	5- 6	6G8-14399-00	4-37	6G8-15771-00	8-39	6G8-41242-01	16-30	6G8-42755-00	12-32				
6G8-11575-00	7- 1		29-23	6G8-14478-00	4-14	6G8-15772-00	8-42	6G8-41654-00	16-19	6G8-42771-00-EL	17-26				
6G8-11587-00	6- 5	646-14212-01	5-22	6G8-14479-01-94	4-13	6G8-15779-00	8-31	6G8-41661-00-98	16-14	6G8-42791-00	17-25				
6G8-11610-01	2-10	654-14216-00	5-10	6G8-14493-00	16-31	689-15779-01	8-35	6G8-41662-00-98	16-15	6G8-42792-00	17-27				
6G8-11610-11	2-10	650-14227-01	5-46	6G8-14611-00	28- 8	6G8-15789-00	8-32	6G8-41663-00	16-16	6G8-42811-00-94	12-14				
6G8-11610-21	2-10	6G8-14271-00	5-43	6G8-14997-00	5-12	663-15791-00	8-14	6G8-42111-01-EL	15- 1	6G8-42815-00	12-12				
6G8-11631-02-96	2- 9	6G8-14272-00	5-34	6G8-15100-04-94	1- 2	6G8-15794-00	8-22	6G8-42112-02-EL	15- 2	6G8-42831-00	12-13				
634-11633-00	2-11	6G8-14301-01	5- 1	6G8-15311-02-0D	7- 7	6Y1-24246-00	10- 2	6G8-42113-01-EL	15-25	6G8-43111-02-EL	13- 1				
6G8-11635-02	2- 9	6G8-14309-00	4-45	6G8-15312-01	7- 8	646-24251-02	9- 6	6G8-42119-00	15-21	6G8-43112-03-EL	13- 2				
6G8-11636-02	2- 9	6G8-14313-00	5-37		30- 2	6Y1-24256-80	10- 9	6G8-42126-01-94	15-15	6A1-43113-01	13-18				
6G8-11650-03	2- 5	6G8-14318-27	5-32	6G8-15316-00	7-13	6Y1-24257-00	10- 3	6G8-42129-00	16- 2	648-43114-01	13- 6				
6G8-11654-00	2- 6	6G8-14323-00	5-13	6G8-15346-00	4-24	6Y1-24268-00	10- 6	6G8-42137-01	15-22	616-43118-00-EL	13- 3				

PART NO.		REF. NO.	PART NO.		REF. NO.	PART NO.		REF. NO.	PART NO.		REF. NO.
668-43136-00	13-16	668-44361-10	19-13	668-45501-20	18-25	701-48246-00	27-24	668-81323-00	20-24	668-82550-20	21-19
668-43160-01	14- 5	668-44361-20	19-13	668-45536-00	18-24	701-48248-00	27-12	445-81328-20	20-13	689-82550-11	28- 1
668-43181-00	13- 8	668-44361-00	19-13	668-45551-00	18-26	701-48249-00	27-11		23-13	701-82550-50	27-40
668-43311-13-EL	13-19	626-44365-01	19-14	668-45560-00	18-30	701-48252-00	27- 4	668-81336-00	1-36	6A0-82553-20	28- 2
669-43311-02-EL	13-19		30-15	668-45571-00	18-32	701-48255-00	27-21	668-81337-00	20-22		28- 5
682-43318-01	13- 9	682-44365-00	18-11	626-45577-00-01	18-31	701-48261-00	27-38	668-81800-10	22- 1	689-82553-10	28- 6
668-43319-01	14-21		30-17		18-34	701-48266-00	27-30	689-81807-12	22-11	668-82554-00	24-12
682-43339-01	13-14	668-44367-00	17- 4	626-45577-00-03	18-31	701-48268-00	27-18	689-81809-11	22- 3		25-10
668-43373-00	13-25	668-44391-00	12- 9		18-34	701-48271-00	27-35	689-81810-11	22- 4	682-82556-00	21-32
682-43611-01	14-15	668-44391-10	28- 9	626-45577-00-05	18-31	701-48280-00	27-46	689-81811-11	22- 6		25-21
682-43614-00	14-13	668-44517-00-94	13-38		18-34	701-48281-00	27-16	689-81812-11	22- 8		28- 4
682-43615-01	14-14	668-44518-00	13-48	668-45587-00-10	18-27	701-48282-00	27-28	689-81813-10	22- 9	668-82570-02	25-18
682-43616-00	14- 8	668-44521-00	13-51	668-45587-00-14	18-27	701-48283-00	27-42	689-81820-11	22-10	668-82571-01	25-19
668-43617-00	14-12	668-44522-00	13-46	668-45587-00-18	18-27	701-48287-00	27-44	668-81822-40-94	22-19	668-82575-00	21-31
668-43631-01	14- 6	668-44526-00	13-39	668-45587-00-35	18-27	702-48288-00	27-23	689-81826-10	22-14	688-82575-01	25-20
682-43641-00	14- 9	668-44532-00	13-52	668-45587-00-50	18-27	701-48310-40	26- 2	6F5-81830-11	22-13	689-82575-12	28- 3
682-43659-00	14-18	668-44533-00	13-49	668-45611-00	18-35	701-48310-60	26- 2	689-81840-11	22- 7	668-82580-00	25-13
682-43673-00	14-17	668-44551-01-EL	13-53	682-45631-00	18-37	701-48310-80	26- 2	689-81847-11	22- 5	663-82581-01	25-22
668-44111-00	16-32	668-44552-02-EL	13-54	648-45633-00	18-39	701-48310-90	26- 2	689-81850-11	22- 2	688-82586-50	25-17
682-44116-00	16-37	682-44555-00	13-61	650-45635-00	18-36	668-48311-02	16-11	689-81857-11	22-12	668-82590-00	25-14
682-44117-00	16-38	668-44557-00	13-60	668-45941-00	19-18	668-48311-11	16-11	668-81870-00	24- 6	701-82594-00	27-43
668-44121-00-98	16- 1	668-45111-12-EL	17-15	668-45943-00	19-18	701-48320-10	26- 2	668-81916-00	21-13	668-83582-01	21-18
668-44123-00	16- 3	669-45111-02-EL	17-15	668-45945-00	19-18	701-48320-20	26- 2	6J0-81941-10	24- 1		25-23
668-44125-00	8-43	668-45113-00	17-20	668-45947-00-EL	19-18	701-48320-30	26- 2		25- 1	668-85515-00	20-10
	24-18		30- 7	668-45986-00	19-15	701-48320-40	26- 2	668-81948-01	21-28		23-10
	25-38	663-45119-00	13-21	668-45987-01	19-19	701-48320-50	26- 2	668-81949-00	21-33	668-85519-00	20-15
682-44132-00	16-34		15- 6	668-46241-00	6- 1	701-48320-60	26- 2	6G1-81952-00	24- 2		23-15
668-44141-00	16-35	668-45127-00	7- 9	701-48101-10	26- 1	701-48320-70	26- 2		25- 2	668-85520-00	20- 3
669-44143-00	16-40	668-45135-00	17- 9		27- 1	701-48320-80	26- 2	668-81953-00	24- 3		23- 3
682-44147-00	18-49	668-45151-00	17-19	701-48126-00	27-41	701-48320-90	26- 2		25- 3	668-85525-00	21-12
668-44150-00	18-48	668-45211-20-EL	17-30	701-48152-11	27-13	668-48321-01	16-12	668-81960-A1	21-21	668-85540-21	21- 1
668-44150-10	18-48	668-45214-00	19- 7	701-48153-12	27-34	668-48321-10	16-12	668-82105-00	24- 7	668-85542-00	21- 9
668-44150-20	18-48	668-45215-00	19- 8	701-48189-11	27-32	703-48345-01	27-37		25-15	668-85550-J1	20- 1
668-44159-00	16-33	668-45251-01	19- 4	701-48196-11	27- 7	701-48350-00	26- 2	668-82117-00	24- 8	668-85550-K1	23- 1
682-44176-00	18-50	668-45300-05-EL	18- 1	701-48197-10	27- 3	701-48350-10	26- 2		25- 6	668-85560-J1	20- 2
668-44191-00	15- 4	668-45300-14-EL	18- 1	701-48198-10	27-15	701-48350-20	26- 2	668-82127-00	21-17		23- 2
682-44300-01	18- 8	668-45300-25-EL	18- 1	701-48213-00	27-19	668-48351-51	25-37	6E5-82148-00	17-16	668-85570-21	21- 4
682-44312-00	18- 9	668-45311-04-EL	18- 2	701-48221-00	27- 6		26-13	668-82150-00	24- 9	668-85580-01	20- 9
682-44315-00	18-15	668-45315-00	18-19	701-48222-00	27-27	701-48358-00	27-39		25- 7		23- 9
	30- 9		30-11	701-48229-00	27-26	668-48501-03	26- 3	682-82151-00	24-10	90101-08M06	13- 15
	30-21	668-45331-00-5B	18-17	701-48232-00	27-31	668-48511-00	26-16		25- 8	90101-08M88	13-64
682-44322-00	18-12	668-45361-00-EL	18-41	701-48234-00	27- 5	668-48511-10	26-19	668-82370-20	21- 8	90105-06M33	7-14
	30-19	668-45375-10	28-10	701-48235-00	27- 2	668-48531-51	26- 4	668-82504-00	21-16		17-13
682-44323-00	18-16	682-45375-01	19-11	701-48236-00	27- 8	668-48532-50	26- 5	668-82510-00	25-24	90105-08M36	1-29
	30-22		30-14	702-48237-00	27- 9	668-48538-50	26- 6	668-82522-00	21-15	90105-08M37	1-28
682-44328-00	18-23	682-45376-01	19-12	702-48238-00	27-10	668-48565-50	26-10	6H3-82540-00	24-11	90105-10M30	14-25
682-44352-01	18-13	668-45501-00	18-25	701-48239-00	27-29	668-81303-J0	20- 6		25- 9	90109-06M25	13-10
	30-20	668-45501-10	18-25	701-48243-00	27-14		23- 6	668-82550-10	21-19	90116-06M15	4- 9

NUMERICAL INDEX

PART NO.	REF. NO.	PART NO.	REF. NO.	PART NO.	REF. NO.	PART NO.	REF. NO.	PART NO.	REF. NO.	PART NO.	REF. NO.
90116-06M26	4- 2	90280-05013	20-27	90501-12M40	3-15	92990-06600	1-14	92990-08600	17-23	93450-09M01	1-24
	5-42	90340-08M04	18- 4	90501-12M41	3-16		1-20		17-33	93450-15023	2-12
90116-08M19	17-31	90386-05M54	16-10	90501-14M06	18-40		1-32		19- 3	93604-08062	18- 3
90116-08M28	13-44	90386-08M49	12-16	90501-18M00	13-23		1-41		22-16	93605-15065	13-29
90119-06M12	1- 5	90386-12069	16- 6	90501-23M42	15-16		4- 4		22-18	93606-12019	17- 6
90119-08M18	1- 4	90386-33M56	15-26	90506-29M16	14-20		4-11	93101-13M27	17- 5		17-21
90149-05M05	25-27	90386-37M47	13-35	90508-12M18	14- 7		4-40		30- 5		17-34
90149-14030	13- 5	90386-37M48	13-37	90890-44373	8-18		6-19	93101-17054	18-44		18-20
90157-06M04	17-28	90387-06M09	14- 1	91490-16010	12-33		6-24		30-12		19- 1
90159-05M06	16-20	90387-06M15	12- 5		16- 4		6-26	93101-20048	18-18	93700-06004	13-20
90159-06M05	4-19	90387-06M20	14-16		16-45		8-41		30-10		15- 5
90170-06015	16-41	90387-06M58	16-25	91490-16012	8-29		9- 4	93101-25M24	2- 3	94701-00282	1-48
90170-12066	20-28	90387-06M70	21-24	91490-25020	16-36		9-17		29-11	95303-04600	16-28
90170-24M09	6- 4	90387-06M71	20-26	91490-30030	19-17		12-22	93102-18M21	6-12	95303-06700	11- 7
90171-10M07	19-16	90387-06M72	12-18	91690-30012	13-62		12-28		29-12		21-26
90179-08M06	18-29	90387-06M73	25-34	91790-05020	16-43		13-12	93102-30M22	2- 2	95303-08700	8-11
90185-05002	19-10		26-11	92580-06020	5-18		13-31		29-10	95380-05600	25-28
90185-20M03	15-29	90387-13M56	3-14		20-19		13-41	93210-08M60	17- 3	95380-06600	14-23
90201-06M00	2- 7	90430-08020	18- 5	92780-06025	27-20		13-56		30- 4		27-45
90201-06M31	12- 6		30- 8	92901-05600	7- 6		13-58	93210-08287	10-12	95380-06700	4- 3
	12-17	90445-05ME6	12-26	92903-04100	5-24		14- 4	93210-09M01	6-16		4-12
	13-24	90445-08MF4	4-42		25-26		15-12		6-22		13-59
90201-06M94	6-10	90445-08MF5	4-41		29-28		15-14		29-18		14- 3
	16- 9	90445-08MF6	4-44	92990-04200	4-27		16-18	93210-10M61	6-15		15-20
90201-06049	15-18	90445-08MF7	4-43		9-14		17- 8		29-17		16-42
90201-08MA4	13-67	90445-09M75	9-19	92990-05100	8-20		17-18	93210-11M59	1-34	95380-08600	17-32
90201-08M12	13-45	90445-09065	4-33		20- 5		18-22		29- 6	95380-10700	14-26
90201-10M76	14-27		9- 7		20- 8		18-47	93210-12M62	7- 2	95680-06100	13-11
90201-12472	20-29	90445-11M05	10-14		20-12		19- 6	93210-13M63	1-45	95780-08300	13-17
90201-13201	6- 8	90445-11M06	10-16		23- 5		20-18		6-17		13-50
90201-17682	18-33	90445-11M52	4-32		23- 8		20-20		29- 7		13-66
90201-20M00	15-28	90445-11M66	1-21		23-12		21- 3	93210-16M64	7-16	97013-06012	4-39
90201-31MA3	19-20	90445-20ME5	16-13		25-29		21- 7		30- 3		8-40
90202-06007	15-19	90445-24M00	16-13	92990-05200	16- 5		21-11	93210-20M65	9-18		16-39
90202-20M33	15-30	90446-10M02	21-20	92990-05600	4-17		21-23	93210-24M79	1-47		24- 4
90206-08M13	12-19	90460-38M06	13-47		15- 9		21-27		29- 8		24-13
90206-10M15	13-13	90461-06M01	4-47		16-44		21-30	93210-29M56	6-14		25- 4
90206-12052	16- 7	90465-08M23	4-36		20-16		24- 5	93210-37M67	13-36		25-11
90206-20M14	15-27	90465-08028	4-35		23-16		24-14	93210-74M68	18-45	97013-06035	1-31
90209-45M09	13-33		4-48		25-30		25- 5		30-13	97013-08025	22-15
90243-04M00	13- 4	90467-08004	9- 8	92990-06100	5-19		25-12	93306-00501	18-42	97090-08035	19- 2
90249-06M20	14-10		9-20		7-11		25-36	93315-213V4	18- 7	97313-05012	8-19
90250-05010	18-38	90480-09M35	12- 2		8-16		26- 8	93315-317U2	18-43	97313-06010	7-10
90266-04M04	11- 5	90480-13M24	21-25		9-16		26-18	93332-00005	18- 6	97313-06016	6- 9
90269-02M09	15-23	90480-15M31	20-25	92990-06200	8-28		26-21	93341-313U3	18-28		12-15
90280-03M01	6- 7	90480-19031	12-25		11- 8	92990-08600	8-37	93430-04M03	25-35		16- 8
90280-03024	18-14	90480-25161	21- 5	92990-06300	27-25		13-43		26-12		21-29
	30-23	90501-10071	13-63	92990-06600	1-12		13-65	93430-06024	27-36	97313-06020	1-19



FLOOD MARINE SERVICES

downloaded from www.yamahaaoutboardparts.co.uk

PART NO.	REF. NO.	PART NO.	REF. NO.
97313-06020	1-40	97890-04005	5-45
	17- 7	97890-06030	15-17
	21- 6	98501-05012	7- 5
	21-10	98501-05040	20- 4
97313-06025	1-11		20- 7
	6-18		23- 4
	21- 2		23- 7
	21-22	98503-04014	5-21
97313-06030	1-13		9-13
	6-25	98580-04008	5-20
	12- 3		20-14
	16-24		23-14
97313-06040	12- 4	98580-04010	4-30
	6-23	98580-04016	5-23
97313-06050	8-36		29-27
97315-06025	8-15	98580-05010	27-17
97315-06030	13-30		27-33
97395-05012	15- 8	98580-05012	20-11
97395-06012	13-40		23-11
	17-17	98580-05016	4-16
97395-06016	26- 9	98580-05525	1-43
	12-21	98580-06016	14-22
97395-06018	12-27	98580-06025	9-15
	16-17		20-17
97395-06020	26-17	98586-05016	10- 7
	26-20	98680-05525	19- 9
97395-06025	27-22	98703-04008	5-47
	9- 3	98780-03008	9-12
97395-06025	18-46	98780-05016	15- 3
	19- 5	98980-04008	25-25
97395-06030	13-26	98980-06008	21-14
	15-11	99080-05600	14-11
97395-06040	26- 7		14-19
	15-13	99510-08012	20-21
97395-06045	30-18	99510-10114	1- 3
	4-10		1-30
97395-06095	13-55		
	18-21		
97395-06135	13-57		
	14- 2		
97395-08016	22-17		
97395-08030	13-42		
97395-08040	17-22		
97780-40112	4-22		
	4-26		
97780-50510	4-29		
	18-10		
	18-51		



FLOOD MARINE SERVICES

downloaded from www.yamahaaoutboardparts.co.uk



FLOOD MARINE SERVICES

downloaded from www.yamahaaoutboardparts.co.uk



FLOOD MARINE SERVICES

downloaded from www.yamahaaoutboardparts.co.uk



FLOOD MARINE SERVICES

downloaded from www.yamahaaoutboardparts.co.uk

NUMERICAL INDEX

PART NO.	REF. NO.	PART NO.	REF. NO.
----------	----------	----------	----------

PART NO.	REF. NO.
----------	----------

PART NO.	REF. NO.
----------	----------



FLOOD MARINE SERVICES

downloaded from www.yamahaaoutboardparts.co.uk



FLOOD MARINE SERVICES

downloaded from www.yamahaaoutboardparts.co.uk



FLOOD MARINE SERVICES

downloaded from www.yamahaaoutboardparts.co.uk