

F8B(6J7) F9.9B(6G9)

CONTENTS

Fig. 1	CYLINDER, CRANKCASE	A3
Fig. 2	CRANKSHAFT, PISTON	A4
Fig. 3	VALVE	A5
Fig. 4	INTAKE	A6
Fig. 5	CARBURETOR	A7
Fig. 6	OIL PUMP	B1
Fig. 7	OIL PAN	B2
Fig. 8	STARTER	B3
Fig. 9	FUEL	B4
Fig. 10	FUEL TANK	B5
Fig. 11	TOP COWLING	B6
Fig. 12	BOTTOM COWLING	B7
Fig. 13	BRACKET 1	C1
Fig. 14	BRACKET 2	C2
Fig. 15	STEERING	C3
Fig. 16	CONTROL	C4
Fig. 17	UPPER CASING	C5
Fig. 18	LOWER CASING, DRIVE 1	C6
Fig. 19	LOWER CASING, DRIVE 2	C7
Fig. 20	GENERATOR	D1
Fig. 21	ELECTRIC PARTS	D2
Fig. 22	ELECTRIC MOTOR (F8BEM/F8BE/F9.9BEM/F9.9BE MODEL)	D3
Fig. 23	GENERATOR (F8BEM/F8BE/F9.9BEM/F9.9BE MODEL)	D4
Fig. 24	ELECTRIC PARTS 1 (F8BEM/F9.9BEM MODEL)	D5
Fig. 25	ELECTRIC PARTS 2 (F8BE/F9.9BE MODEL)	D6
Fig. 26	REMOTE CONTROL	D7
Fig. 27	REMOTE CONTROL ASSY	E1
Fig. 28	OPTIONAL PARTS	E2
Fig. 29	REPAIR KIT 1	E3
Fig. 30	REPAIR KIT 2	E4
	NUMERICAL INDEX	

This Parts Catalogue is related to the parts in use for the Yamaha outboard motor F8B '90 (6J7), F9.9B '90 (6G9). When you are ordering replacement parts for the F8B '90 (6J7), F9.9B '90 (6G9), refer to this Parts Catalogue and quote both part numbers and part names correctly.

1. Modifications or additions which have been made after issue of the Parts Catalogue will be announced in the Yamaha Parts News.
It is advisable that according to the Yamaha Parts News you make necessary corrections to the Parts Catalogue on hand to keep it up-to-date.

2. Abbreviations

The following abbreviations are used in this Parts Catalogue.

- UR Use size (thickness) and/or number as required.
- UN Use as many as you need.
- AP Alternate Parts
- STD Standard
- O/S Over Size

3. Parts, which are to be supplied in the form of assemblies, are listed with an indentation of one letter's space, and a dot (.) is put against the name of each part.

EXAMPLE

- CARBURETOR ASS'Y
- . JET, pilot
- . NOZZLE, main

4. Indication of No. of constituent parts for assembly.

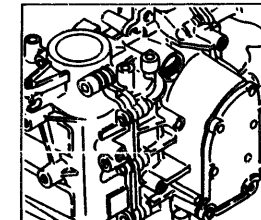
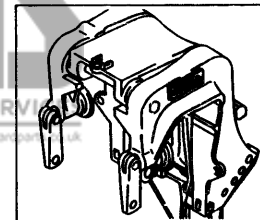
The numeral appearing to the right of each constituent part under the description indicates the quantity of such parts for each individual assembly unit.

EXAMPLE

Part No.	Description	Q'ty	Remarks
6E0-85500-70	C.D.I. MAGNETO ASS'Y	1	
6E0-85550-70	. ROTOR ASS'Y	1	
6E0-15723-00-94	. . PULLEY, starter	1	

5. Initial Serial No. and Color Code

Engine Serial No.	F8BM	S: 000216 and following
		L: 300636 and following
	F8BE	S: 100154 and following
		L: 400396 and following
	F8BEM	S: 200111 and following
		L: 500291 and following
	F9.9BM	S: 006527 and following
		L: 303496 and following
	F9.9BE	S: 100597 and following
		L: 400940 and following
	F9.9BEM	S: 200146 and following
		L: 500194 and following



Color Code	Color Name	Abbreviate
EJ	METALLIC MARINE BLUE	MMB

Fig. 1 CYLINDER. CRANKCASE

Ref.No.	Parts No.	Description	Q'ty	Ref.No.	Parts No.	Description	Q'ty
1	668-M0090-07-EJ	CRANK CYLINDER ASSY	1	27	668-12481-00	PIPE 1	1
2	668-15100-03-94	CRANKCASE ASSY	1	28	90105-08M37	BOLT, washer based	3
3	99510-10114	PIN, dowel	2	29	90105-08M36	BOLT, washer based	3
4	90119-08M18	BOLT, with washer	4	30	99510-10114	PIN, dowel	2
5	90119-06M12	BOLT, with washer	6	31	97013-06035	BOLT	2
6	668-11351-00	GASKET, cylinder	1	32	92990-06600	WASHER, plate	2
7	668-41111-02-9M	INNER COVER, exhaust	1	33	668-11181-00	GASKET, cylinder head 1	1
8	668-41112-02	GASKET, exhaust inner cover	1	34	93210-11M59	O-RING	1
9	668-41114-00	GASKET, exhaust outer cover	1	35	668-11191-01-94	COVER, cylinder head 1	1
10	668-41113-01-9M	OUTER COVER, exhaust	1	36	668-81336-00	GROMMET	2
11	97313-06025	BOLT	2	37	668-15373-00	PIPE, breather	1
12	92990-06600	WASHER, plate	2	38	676-11372-00	NIPPLE, hose	1
13	97313-06030	BOLT	5	39	668-11356-00	SEAL, cylinder 2	1
14	92990-06600	WASHER, plate	5	40	97313-06020	BOLT	4
15	668-12411-02	THERMOSTAT	1	41	92990-06600	WASHER, plate	4
16	668-12413-00-94	COVER, thermostat	1	42	668-11325-00	ANODE	1
17	6E5-24377-00	PIPE, joint 3	1	43	98580-05525	SCREW, pan head	1
18	668-12414-00	GASKET, cover	1	44	668-11197-00	PLUG, blind	1
19	97313-06020	BOLT	2	45	93210-13M63	O-RING	1
20	92990-06600	WASHER, plate	2	46	668-15363-00	PLUG, oil	1
21	90445-11M66	HOSE	1	47	93210-24M79	O-RING	1
22	668-11111-02-94	HEAD, cylinder 1	1	48	94701-00282	PLUG, spark (NGK CR6HS)	1
23	668-11133-10	.GUIDE, intake valve	4			(F9.9B Model)	2 UR
24	93450-09M01	.CIRCLIP	4	94701-00300	PLUG, spark (NGK CR5HS)		2 UR
25	676-11372-00	.NIPPLE, hose	1			(F8B Model)	
26	668-11372-01	.NIPPLE, hose	1				

CRANK CYLINDER ASS'Y
 (Ref. No. 2 to 5, 7 to 47
 Fig. 2, Ref. No. 1 to 12
 Fig. 3, Ref. No. 1 to 18)

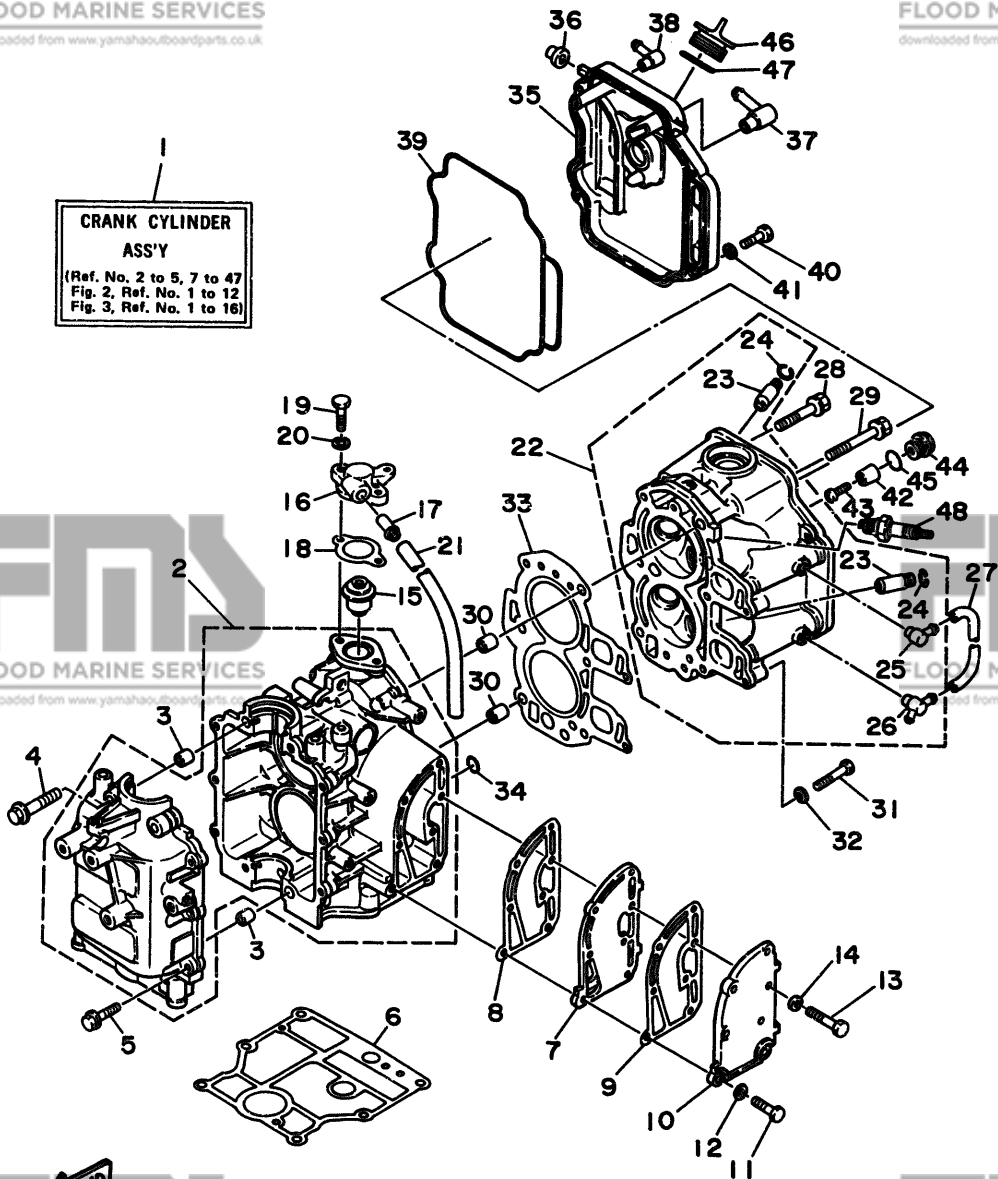


Fig. 2 CRANKSHAFT. PISTON

Ref.No.	Parts No.	Description	Q'ty	Ref.No.	Parts No.	Description	Q'ty
1	6G8-11411-04	CRANKSHAFT	1	7	90201-06M00	WASHER, plate	4
2	93102-30M22	OIL SEAL	1	8	6G8-11426-00	PLANE BEARING, crankshaft 1	2
3	93101-25M24	OIL SEAL	1	9	6G8-11631-01-97	PISTON (STD)	2
4	6G8-11416-00	PLANE BEARING, crankshaft 1 (Brown)	4 UR		6G8-11635-01	PISTON (0.25MM O/S)	2 AP
	6G8-11416-10	PLANE BEARING, crankshaft 1 (Black)	4 UR	10	6G8-11636-01	PISTON (0.50MM O/S)	2 AP
	6G8-11416-20	PLANE BEARING, crankshaft 1 (Blue)	4 UR		6G8-11610-01	PISTON RING SET (STD)	2
					6G8-11610-11	PISTON RING SET (1ST O/S)	2 AP
5	6G8-11650-03	CONNECTING ROD ASSY	2		6G8-11610-21	PISTON RING SET (2ND O/S)	2 AP
6	6G8-11654-00	BOLT, connecting rod	4	11	634-11633-00	PIN, piston	2
				12	93450-15023	CIRCLIP	4

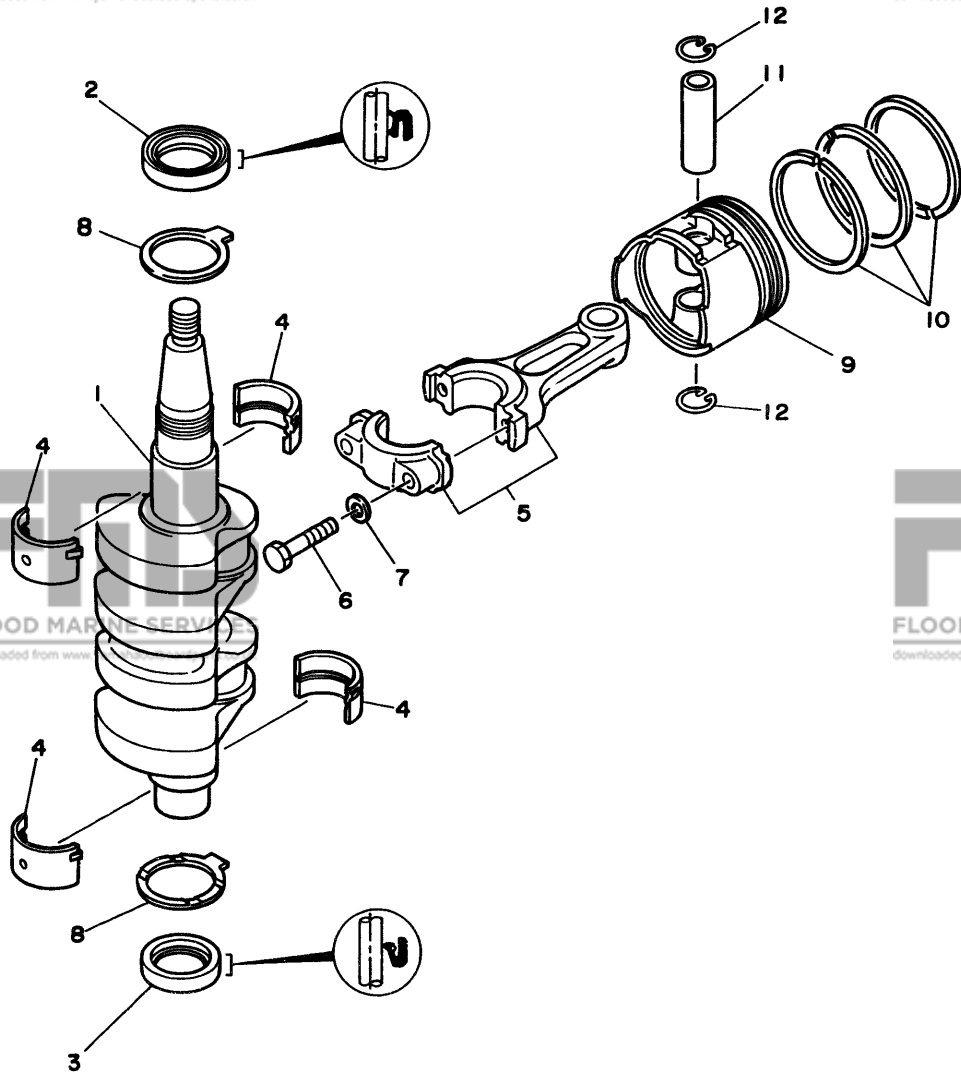


Fig. 3 VALVE

Ref.No.	Parts No.	Description	Q'ty	Ref.No.	Parts No.	Description	Q'ty
1	668-12111-00	VALVE, intake	2	9	51Y-12119-00	SEAL, valve stem	4
2	668-12121-01	VALVE, exhaust	2	10	668-12151-00	ARM, valve rocker	4
3	668-12116-00	SEAT, valve spring	4	11	668-12159-00	SCREW, valve adjusting	4
4	668-12113-00	SPRING, valve inner	4	12	668-12158-00	NUT, lock	4
5	668-12117-00	RETAINER, valve spring	2	13	668-12146-00	SHAFT, rocker	2
6	30X-12118-00	COTTER, valve	4	14	90387-13M56	COLLAR	3
7	668-12117-10	RETAINER, valve spring	2	15	90501-12M40	SPRING, compression	3
8	668-12153-00	LIFTER, valve	2	16	90501-12M41	SPRING, compression	1

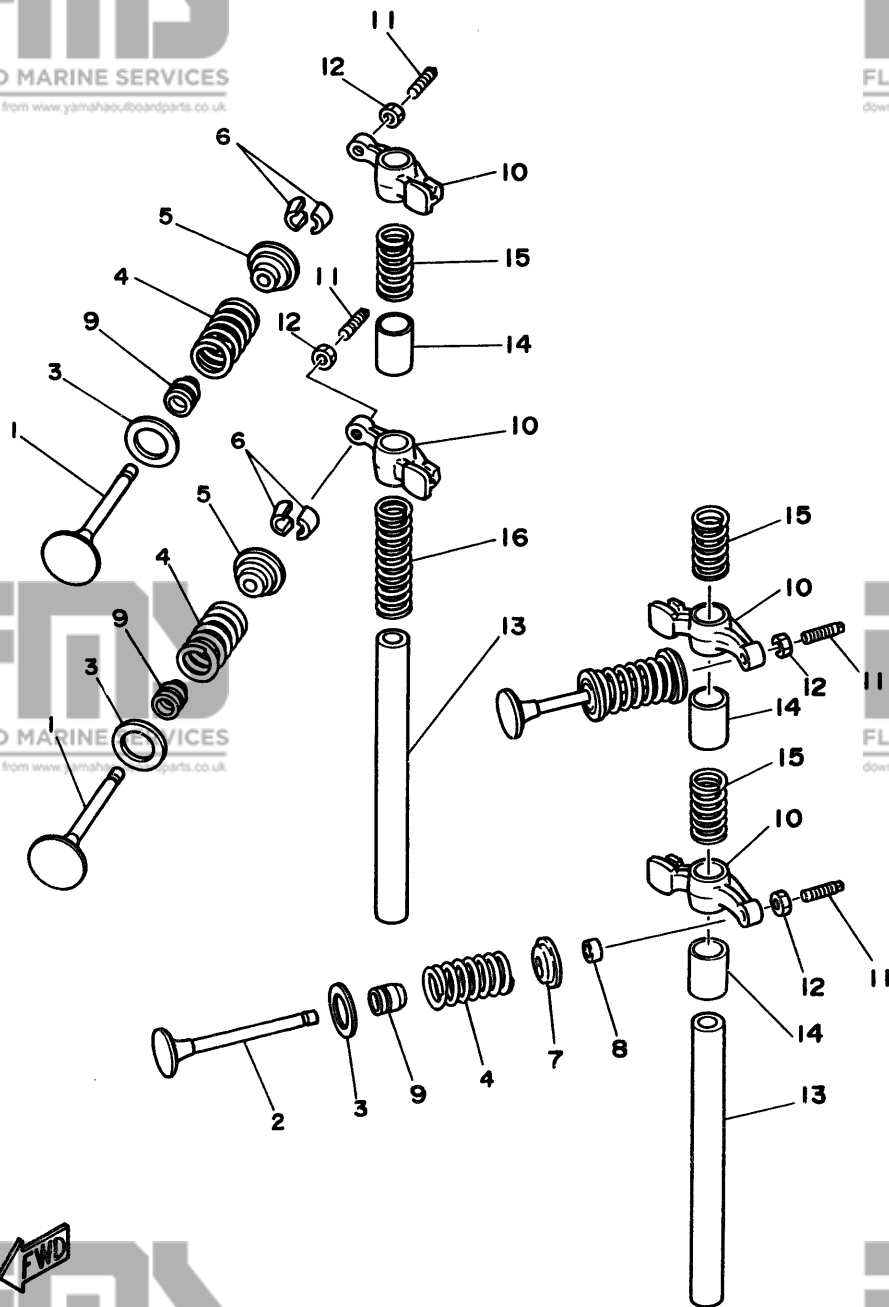


Fig. 4 INTAKE

Ref.No.	Parts No.	Description	Q'ty	Ref.No.	Parts No.	Description	Q'ty
1	6G8-13646-00	GASKET, manifold 2	2	26	6G8-15347-00	BREATHER 2	1
2	90116-06M26	BOLT, stud	2	27	97780-40112	SCREW, tapping	1
3	95380-06700	NUT	2	28	92990-04200	WASHER, plain	2
4	92990-06600	WASHER, plate	2	29	6G8-15374-00	GASKET, breather	1
5	6G8-13647-00	GASKET, manifold 3	1	30	97780-40112	SCREW, tapping	4
6	6G8-13641-00-94	MANIFOLD 1	1	31	98580-04010	SCREW, pan head	1
7	6G8-11370-00	.CHECK VALVE ASSY	1	32	6G8-15393-00	PIPE, breather 2	1
8	6G8-13645-00	GASKET, manifold 1	1	33	90445-11M52	HOSE	1
9	90116-06M15	BOLT, stud	1	34	90445-09065	HOSE	1
10	97395-06045	BOLT	3	35	6G8-15376-00	HOLDER, guide	1
11	92990-06600	WASHER, plate	3	36	90465-08028	CLAMP	1
12	95380-06700	NUT	1	37	90465-08M23	CLAMP	1
13	92990-06600	WASHER, plate	1	38	6G8-14399-00	VALVE, bimetal	1
14	6G8-14479-01-94	FUNNEL	1	39	6G8-11326-00	SEAT	1
15	6G8-14478-00	LOUVER	1	40	6G8-11395-00	HOLDER	1
16	6G8-14198-00	GASKET	1	41	97013-06012	BOLT	2
17	98580-05016	SCREW, pan head	2	42	92990-06600	WASHER, plate	2
18	92990-05600	WASHER, plate	2	43	90445-08M5	HOSE	1
19	6G8-15358-00	SEPARATOR, oil	1	44	90445-08M4	HOSE	1
20	90159-06M05	SCREW, with washer	2	45	90445-08M7	HOSE	1
21	6G8-15368-00-94	SEPARATOR, oil	1	46	90445-08M6	HOSE	1
22	6G8-15369-00	GASKET, oil seal housing	1	47	6G8-14309-00	JET COMP.	1
23	97780-40112	SCREW, tapping	4	48	6E0-24378-00	PIPE, joint 4	1
24	6G8-15371-00-94	BREATHER	1	49	90461-06M01	CLAMP	1
25	6G8-15346-00	BREATHER 1	1	50	90465-08028	CLAMP	1

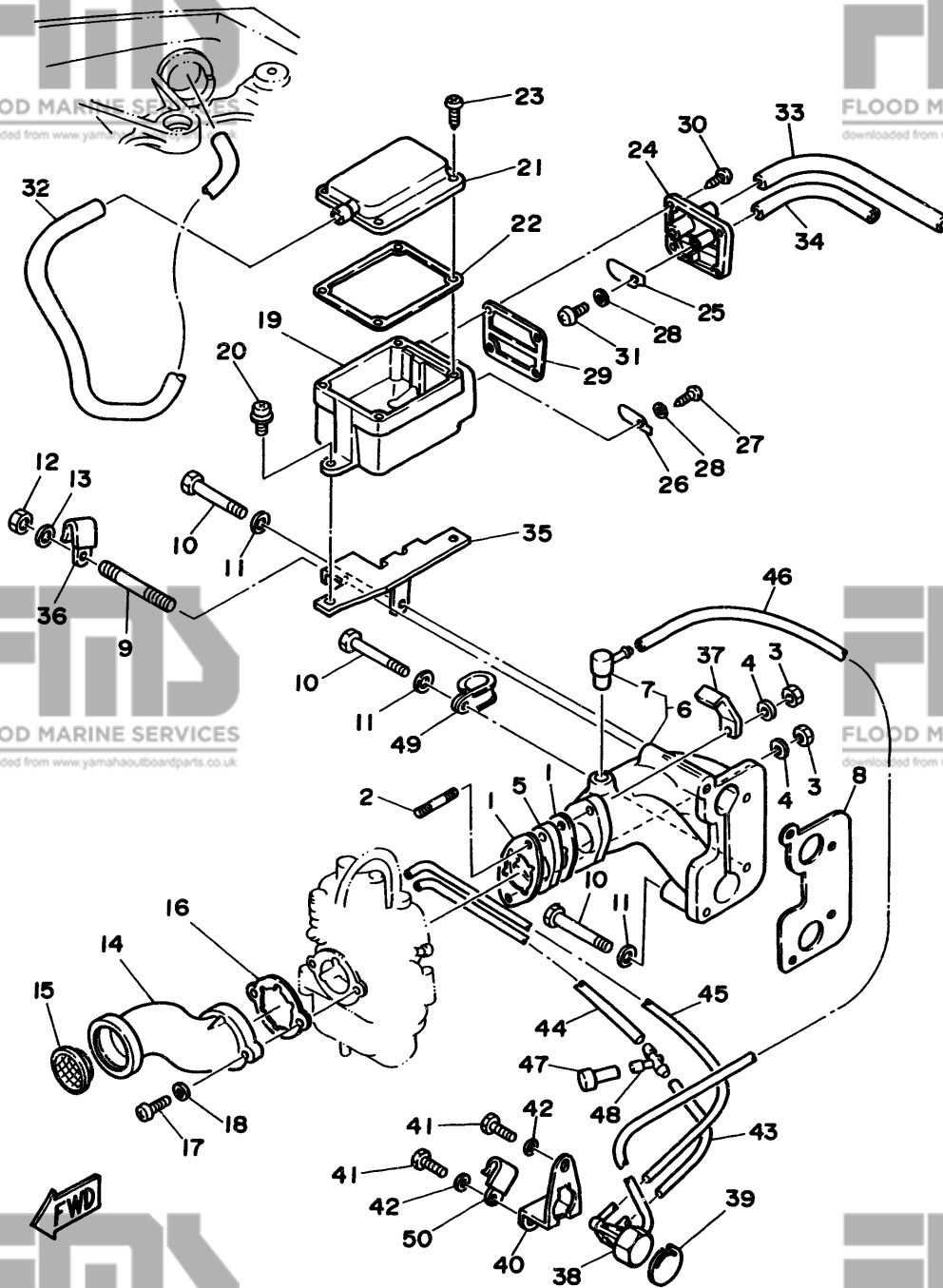


Fig. 5 CARBURETOR

Ref.No.	Parts No.	Description	Q'ty	Ref.No.	Parts No.	Description	Q'ty
1	669-14301-01	CARBURETOR ASSY 1 (F9.9B Model)	1 UR	23	98580-04016	.SCREW, pan head	4
	6J7-14301-02	CARBURETOR ASSY 1 (F8B Model)	1 UR	24	92903-04100	.WASHER, spring	4
2	668-14384-00	.GASKET, float chamber	1	25	668-14355-00	.NOZZLE, main 2	1
3	668-14381-00	.BODY, float chamber	1	26	668-14368-00	.DIAPHRAGM ASSY 1	1
4	647-14386-00	.PIN, float	1	27	668-14373-00	.COVER, plunger cap	1
5	668-14342-21	.JET, pilot (# 42) (F9.9B Model)	1 UR	28	668-14374-00	.CAP, plunger	1
	668-14342-19	.JET, pilot (# 38) (F8B Model)	1 UR	29	14T-14367-00	.STOPPER	1
6	654-14198-00	.GASKET	1	30	33A-14369-00	.DIAPHRAGM ASSY 2	1
7	668-14345-00	.PLUG, main nozzle	1	31	668-14371-00	.PLUNGER, starter	1
8	648-14343-47	.JET, main (# 94) (F9.9B Model)	1 UR	32	668-14318-27	.PIPE STARTER	1
	648-14343-46	.JET, main (# 92) (F8B Model)	1 UR	33	6A4-14344-31	.JET, starter (# 62)	1
9	668-14341-00	.NOZZLE, main (F9.9B Model)	1 UR	34	668-14272-00	.VALVE, check seat	1
	6J6-14341-00	.NOZZLE, main (F8B Model)	1 UR	35	1J2-14397-00	.O-RING	2
10	654-14216-00	.SCREW	1	36	5H0-14397-00	.O-RING	1
11	647-14334-00	.SPRING	1	37	668-14313-00	.VALVE, throttle 2	1
12	668-14997-00	.SEAL	1	38	668-14377-00	.STOPPER	1
13	668-14323-00	.SCREW, air adjusting	1	39	5Y1-14397-00	.O-RING	1
14	668-14392-00	.VALVE, needle	1	40	668-14383-00	.SCREW, drain	1
15	668-14385-00	.FLOAT	1	41	44J-14349-00	.PIPE	1
16	668-14197-00	.PIPE	2	42	90116-06M26	.BOLT, stud	2
17	668-14346-01	.PLATE	1	43	668-14271-00	.INSULATOR	1
18	92580-06020	.SCREW, pan head	2	44	14T-14396-00	.PIPE	1
19	92990-06160	.WASHER, spring	2	45	97890-04005	.SCREW, pan head	1
20	98580-04008	.SCREW, pan head	1	46	650-14227-01	.WASHER	1
21	98503-04014	.SCREW, pan head	1	47	98703-04008	.SCREW, flat head	2
22	646-14212-01	.SPRING, pilot adjusting	1	48	668-14346-10	.PLATE	1

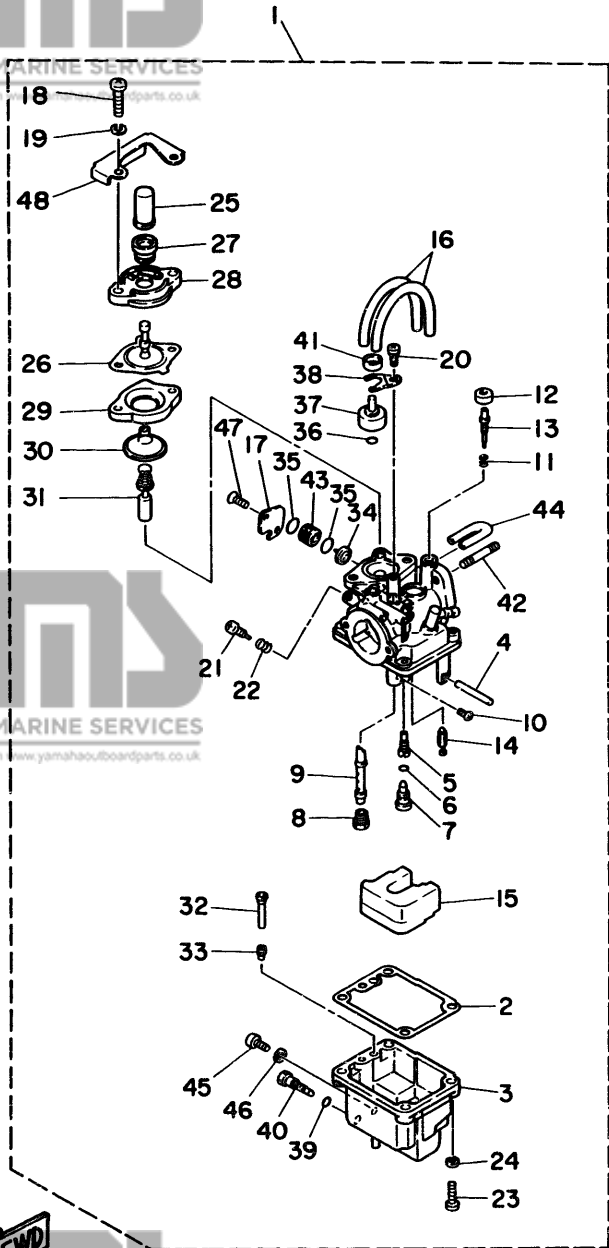


Fig. 6 OIL PUMP

Ref.No.	Parts No.	Description	Q'ty	Ref.No.	Parts No.	Description	Q'ty
1	668-46241-00	V-BELT	1	14	93210-09M56	O-RING	1
2	668-11536-00-94	GEAR, drive	1	15	93210-10M61	O-RING	1
3	668-11557-00	WASHER 1	2	16	93210-09M01	O-RING	1
4	90170-24M09	NUT	1	17	93210-13M63	O-RING	2
5	668-11587-00	WASHER, lock	1	18	97313-06025	BOLT	3
6	668-11537-00-94	GEAR, driven	1	19	92990-06600	WASHER, plate	3
7	90280-03M01	KEY, woodruff	2	20	668-13442-00-94	HOUSING, oil filter	1
8	90201-13201	WASHER, plate	1	21	668-13440-00	ELEMENT ASSY, oil cleaner	1
9	97313-06016	BOLT	1	22	93210-09M01	O-RING	2
10	90201-06M94	WASHER, plate	1	23	97313-06050	BOLT	1
11	668-12171-00	CAMSHAFT 1	1	24	92990-06600	WASHER, plate	1
12	93102-18M21	OIL SEAL	1	25	97313-06030	BOLT	1
13	668-13300-02	OIL PUMP ASSY	1	26	92990-06600	WASHER, plate	1

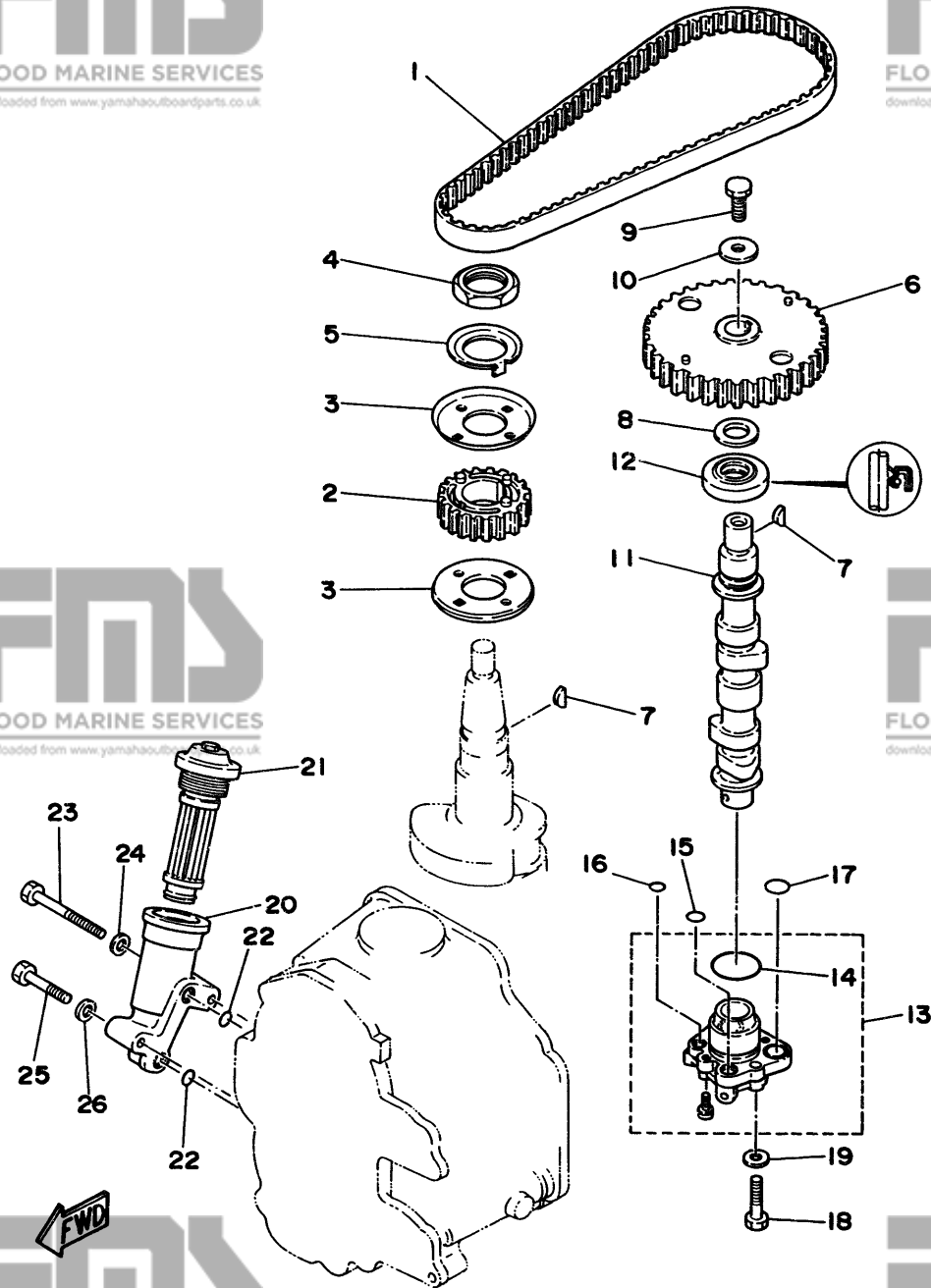


Fig. 7 OIL PAN

Ref.No.	Parts No.	Description	Q'ty	Ref.No.	Parts No.	Description	Q'ty
1	668-11575-00	RELIEF VALVE ASS'Y	1	10	97313-06010	BOLT	1
2	93210-12M62	O-RING	1	11	92990-06100	WASHER, spring	1
3	668-15379-00	SEAL, crankcase	1	12	668-13421-00	STRAINER 2	1
4	668-13487-00	GUIDE, oil hose	1	13	668-15316-00	DAMPER, engine mount 1	1
5	98501-05012	SCREW, pan head	1	14	90105-06M33	BOLT, washer based	9
6	92901-05600	WASHER, plate	1	15	668-13471-00	PLUG, drain	1
7	668-15311-02-58	OIL PAN	1	16	93210-16M64	O-RING	1
8	668-15312-01	GASKET, oil pan	1	17	668-15362-03	PLUG, oil level	1
9	668-45127-00	SEAL	1				

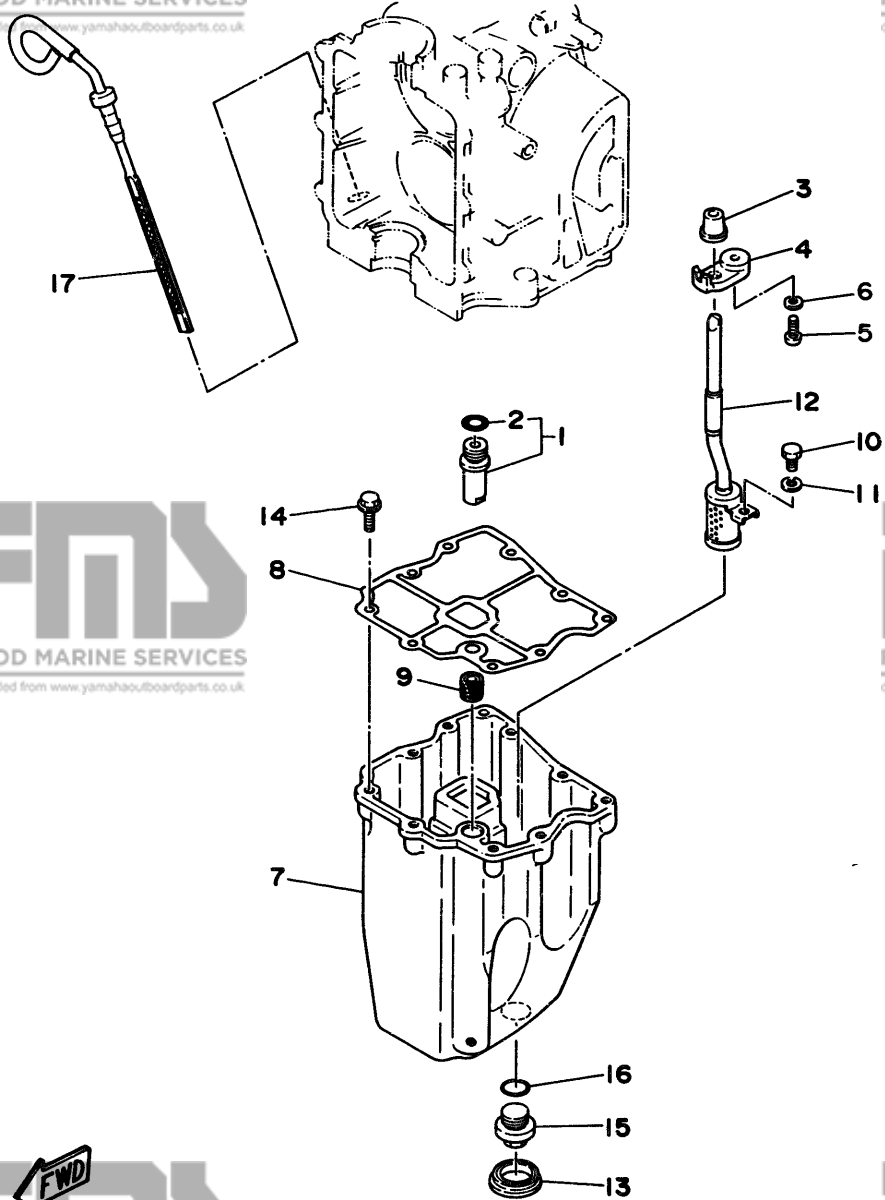


Fig. 8 STARTER

Ref.No.	Parts No.	Description	Q'ty	Ref.No.	Parts No.	Description	Q'ty
1	668-15710-10	STARTER ASSY	1	23	668-15746-00	.ARM	1
2	668-15711-00	.CASE, starter	1	24	668-15767-00	.SPRING	1
3	668-15714-00	.DRUM, sheave	1	25	668-15734-00	.SPRING, return	1
4	668-15713-00	.SPRING, starter	1	26	668-15747-00	.LINK	1
5	668-15719-00	.WASHER, thrust	1	27	668-15716-00	.PLATE, drive	1
6	668-15723-00	.PULLEY, starter	1	28	92990-06200	.WASHER, plain	1
7	668-15715-00	.SPRING, drive plate	1	29	91490-12012	.PIN, cotter	1
8	668-15754-00	.BUSH 2	1	30	668-15712-00	.COVER, starter case	1
9	668-15727-00	.PIN	1	31	668-15779-00	.COVER	1
10	668-15768-00	.BOLT	1	32	668-15789-00	.DAMPER	1
11	95303-08700	.NUT	1	33	668-15742-00	.WASHER, drive pawl	1
12	6F5-15752-00	.ROLLER, wire	1	34	661-15755-00	HANDLE, starter	1
13	663-15753-00	.BUSH	1	35	689-15779-01	COVER	1
14	663-15791-00	.WASHER, lock	1	36	97313-08030	BOLT	3
15	97315-06025	.BOLT	1	37	92990-08600	WASHER, plate	3
16	92990-06100	.WASHER, spring	1	38	668-15770-00	CABLE COMP., starter stop	1
17	668-15739-00	.WASHER, thrust	1	39	668-15771-00	STAY 1	1
18	*	.WIRE (L:1850mm)	1	40	97013-06012	BOLT	1
19	97313-05012	.BOLT	6	41	92990-06600	WASHER, plate	1
20	92990-05100	.WASHER, spring	6	42	668-15772-00	STAY 2	1
21	668-15726-00	.WASHER, flat	1	43	668-44125-00	LEVER, shift rod	1
22	668-15794-00	.STOPPER	1				

* Cut from 50m rolls, parts No. 90890-44373, Cutting length 1.85m.

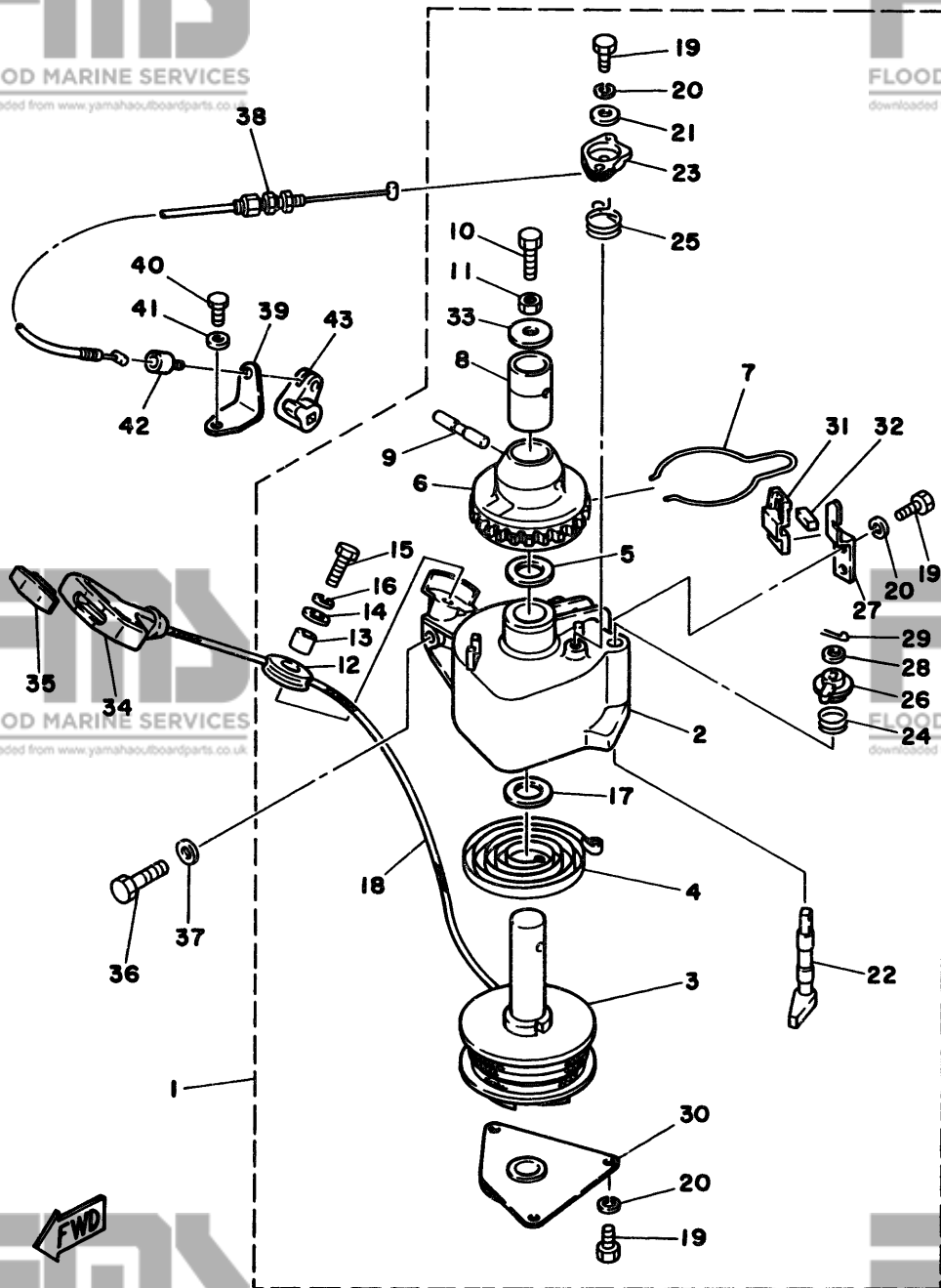
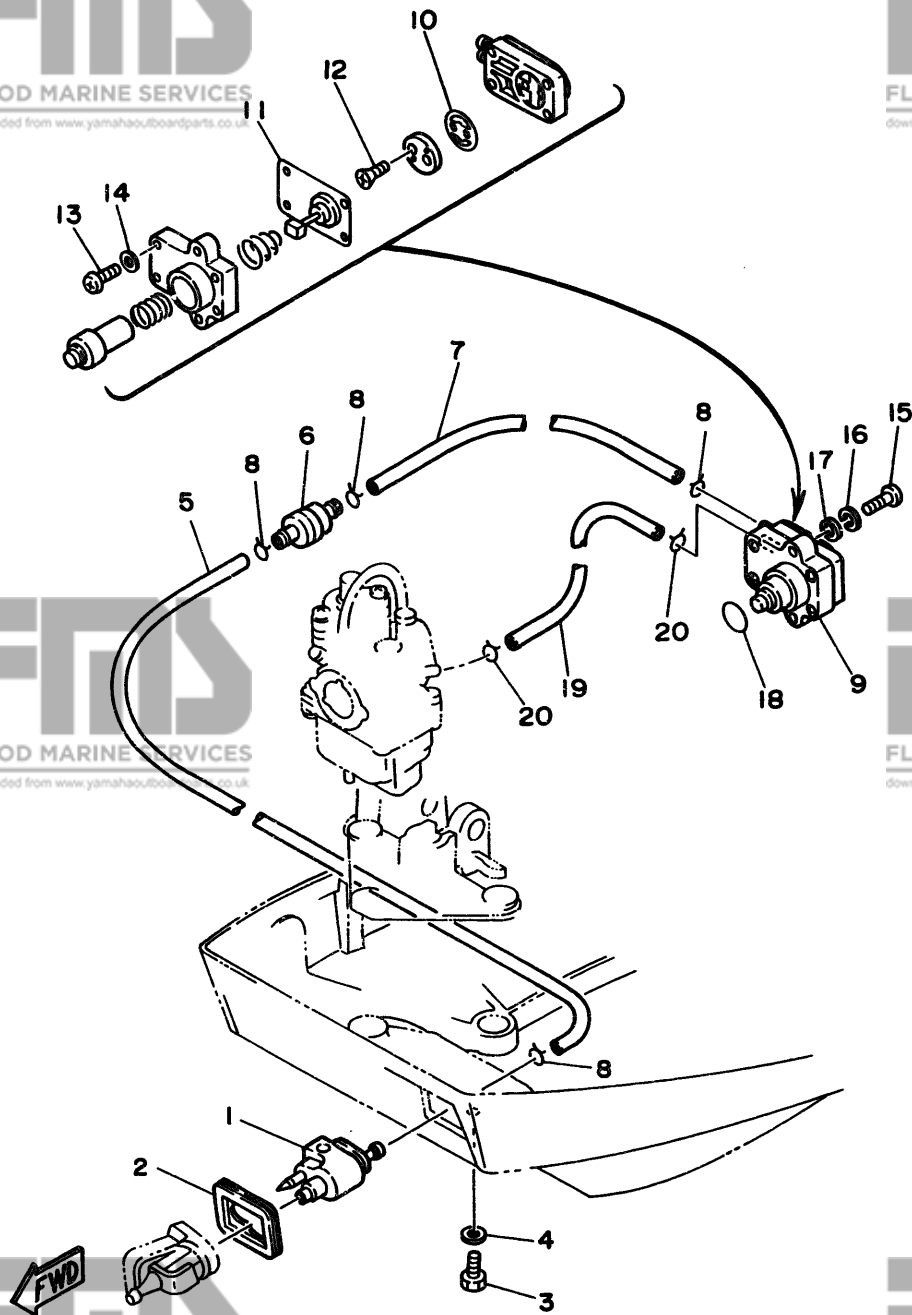


Fig. 9 FUEL

Ref.No.	Parts No.	Description	Q'ty	Ref.No.	Parts No.	Description	Q'ty
1	661-24304-02	FUEL PIPE JOINT COMP. 1	1	11	668-24411-01	.DIAPHRAGM	1
2	668-24329-00	SEAL	1	12	98780-03008	.SCREW, flat head	2
3	97395-06020	BOLT	1	13	98503-04014	.SCREW, pan head	4
4	92990-06600	WASHER, plate	1	14	92990-04200	.WASHER, plain	4
5	668-24311-00	PIPE, fuel 1	1	15	98580-06025	SCREW, pan head	2
6	646-24251-02	STRAINER 1	1	16	92990-06100	WASHER, spring	2
7	90445-09065	HOSE	1	17	92990-06600	WASHER, plate	2
8	90467-08004	CLIP	4	18	93210-20M65	O-RING	1
9	668-24410-01	FUEL PUMP ASSY	1	19	90445-09M75	HOSE	1
10	668-24421-00	.VALVE, check	1	20	90467-08004	CLIP	2



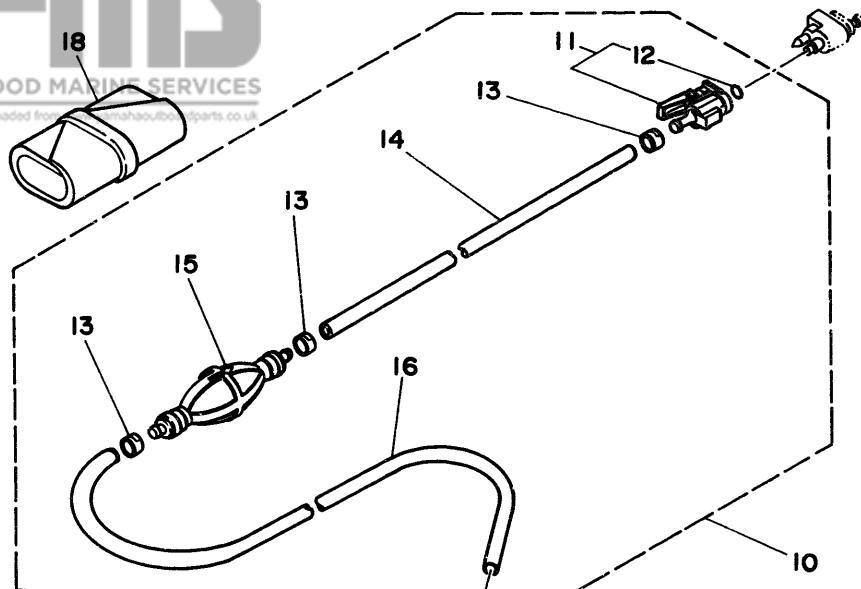


Fig. 10 FUEL TANK

Ref.No.	Parts No.	Description	Q'ty	Ref.No.	Parts No.	Description	Q'ty
1	6Y4-W2420-80-24	FUEL TANK ASSY	1	10	6Y4-24306-80	FUEL PIPE COMP. 1	1
2	6Y1-24246-00	.GRAPHIC, side	2	11	6G1-24305-00	.FUEL PIPE JOINT COMP. 2	1
3	6Y1-24257-00	.GRAPHIC	1	12	93210-08287	..O-RING	1
4	6Y1-24610-12	.CAP ASSY	1	13	650-24351-01	.BAND 1	3
5	6Y4-24275-80	.FUEL METER COMP.	1	# 14	90445-11M05	.HOSE (L:850mm)	1
6	6Y1-24268-00	.GASKET, fuel meter	1	15	6Y1-24360-02	.PRIMER PUMP ASSY	1
7	98586-05016	.SCREW, pan head	4	# 16	90445-11M06	.HOSE (L:2050mm)	1
8	6Y1-24329-00	.SEAL	4	17	650-24351-01	BAND 1	1
9	6Y1-24256-80	.GRAPHIC, fuel tank 9	1	18	676-W2810-00	TOOL KIT	1

Also available in 30m rolls. (Parts No. 90890-56878)

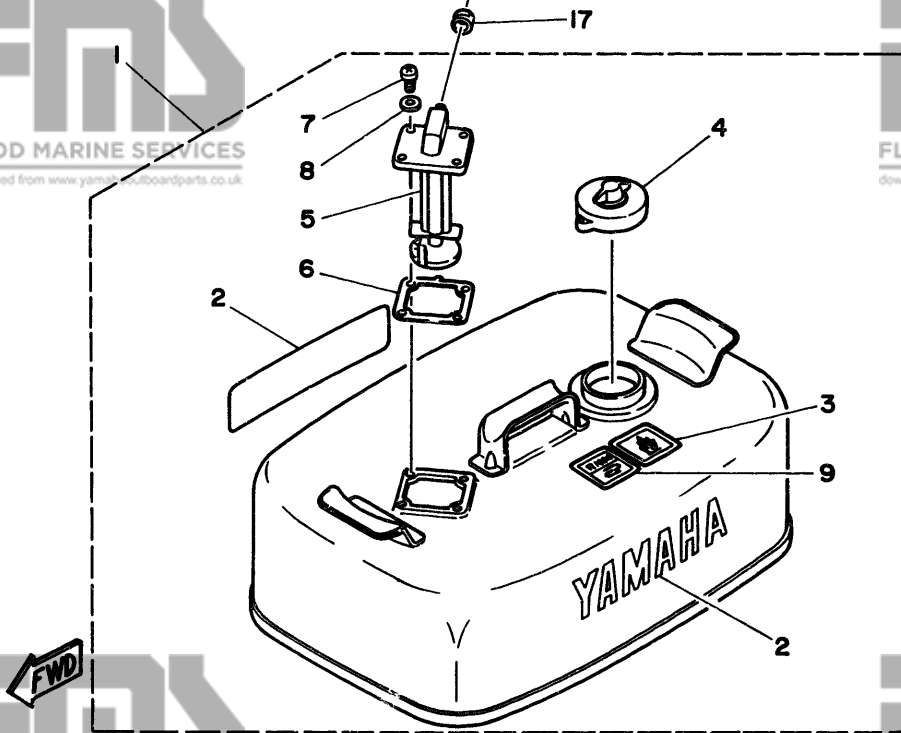
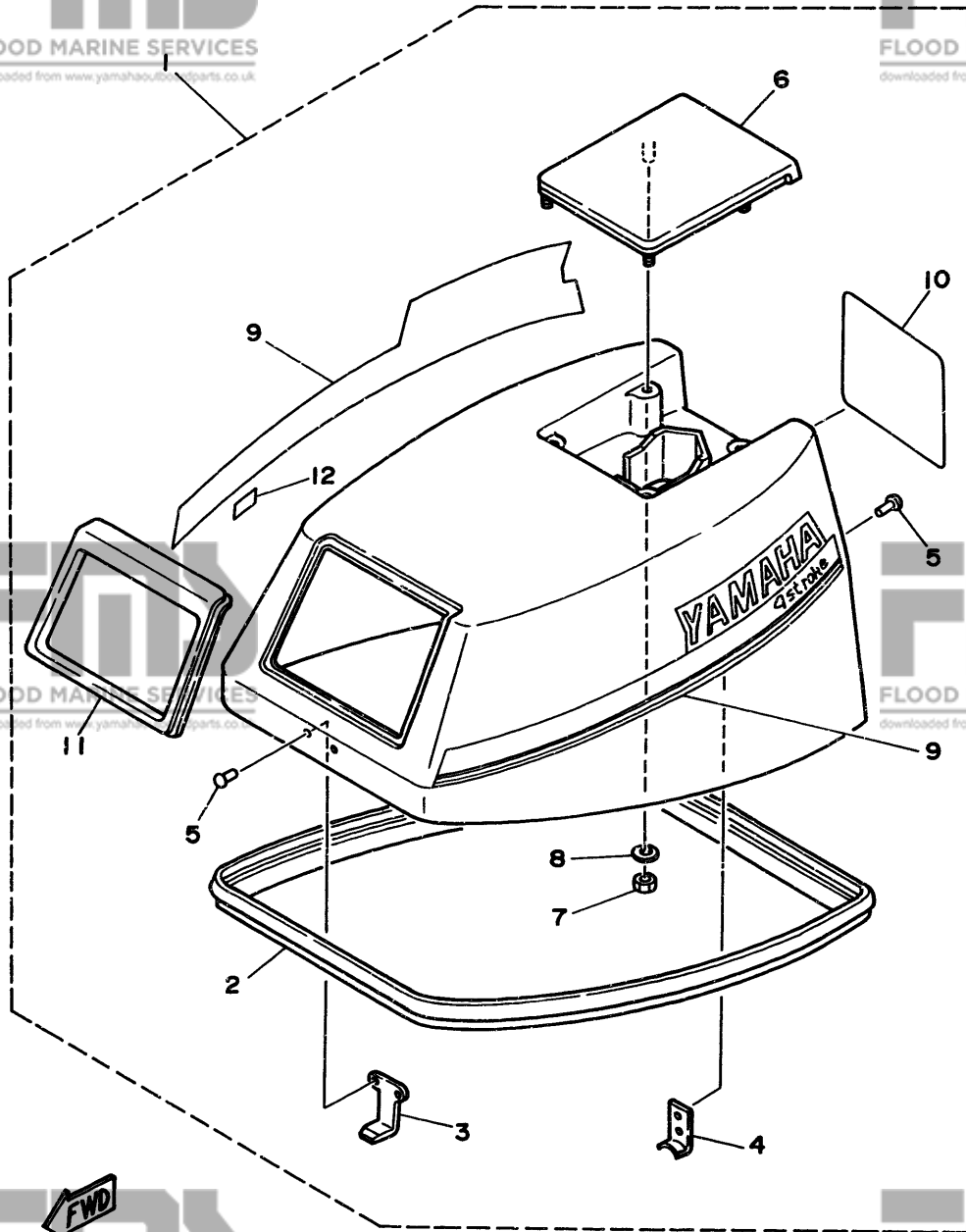


Fig. 11 TOP COWLING

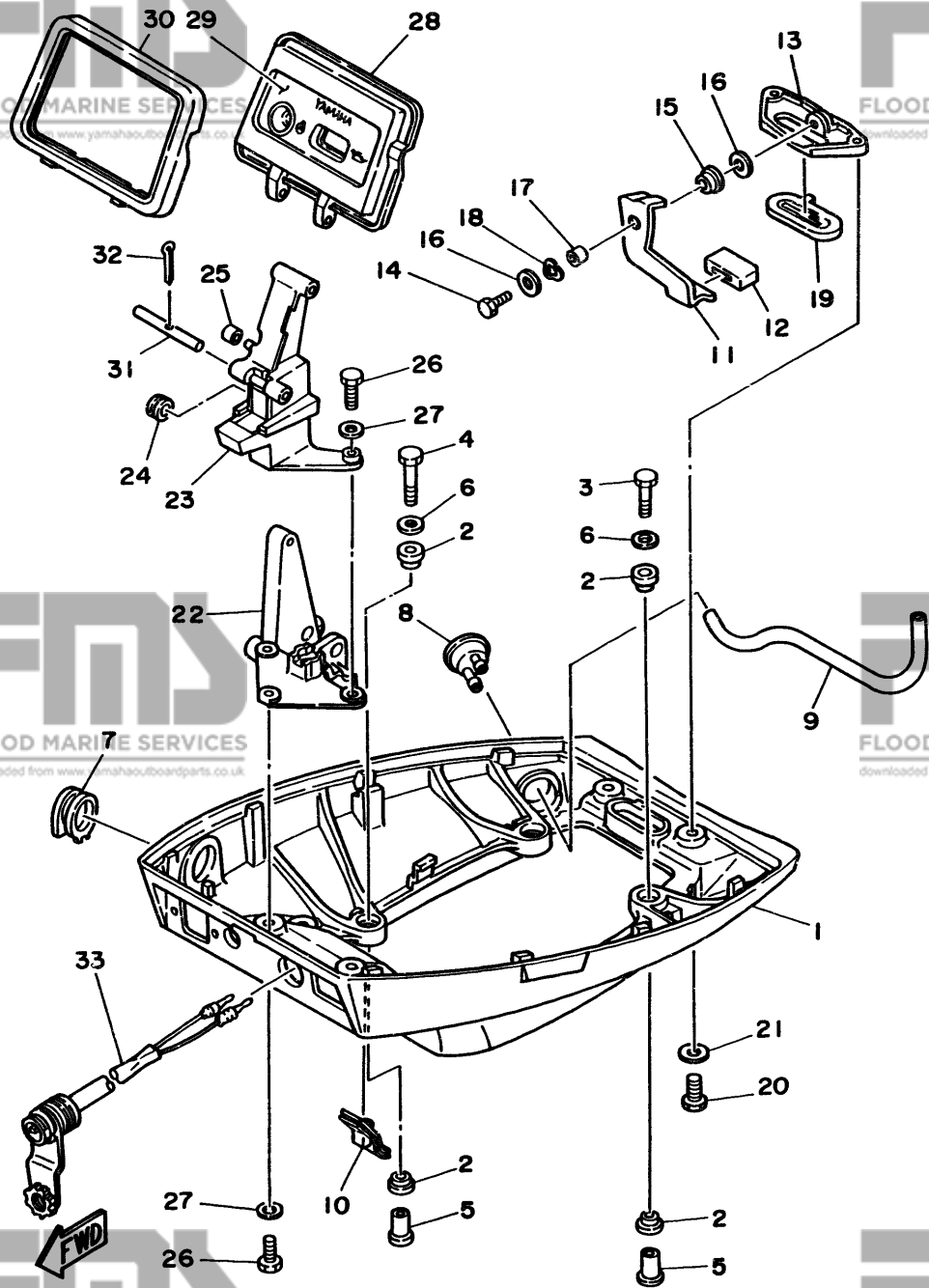
Ref.No.	Parts No.	Description	Q'ty	Ref.No.	Parts No.	Description	Q'ty
1	669-42610-23-EJ	TOP COWLING ASSY (F9.9B Model)	1 UR	7	95303-06700	.NUT	4
	6J7-42610-23-EJ	TOP COWLING ASSY (F8B Model)	1 UR	8	92990-06200	.WASHER, plain	4
2	668-42615-00	.SEAL	1	9	669-W0070-22	.GRAPHIC SET	1
3	668-42651-00	.HOOK	1	10	669-42678-22	.GRAPHIC, rear (F9.9B Model)	1 UR
4	668-42652-00	.HOOK	1		6J7-42678-22	.GRAPHIC, rear (F8B Model)	1 UR
5	90266-04M04	.RIVET	4	11	668-42628-01	.SEAL	1
6	668-42613-00-EJ	.MOLDING, air duct	1	12	6E0-44191-11	.INDICATOR, shift	1



B6

R L

Fig. 12 BOTTOM COWLING



Ref.No.	Parts No.	Description	Q'ty	Ref.No.	Parts No.	Description	Q'ty
1	668-42711-01-EJ	COWLING, bottom	1	16	90201-06M31	WASHER, plate	2
2	90480-09M35	GROMMET	8	17	90387-06M72	COLLAR	1
3	97313-06030	BOLT	2	18	90206-06M13	WASHER, wave	1
4	97313-06040	BOLT	2	19	668-42748-00	GROMMET	1
5	90387-06M15	COLLAR	4	20	97395-06016	BOLT	2
6	90201-06M31	WASHER, plate	4	21	92990-06600	WASHER, plate	2
7	669-42724-00	GROMMET (For Remote Control)	1 UR	22	668-42738-00-94	PLATE, fitting	1
8	668-44391-00	NIPPLE, hose	1	23	668-42719-00-EJ	PANEL, front lower	1
9	668-12482-00	PIPE 2	1	24	90480-19031	GROMMET	1
10	668-42727-00	GROMMET	1	25	90445-05M6	HOSE	1
11	668-42815-00	LEVER, clamp	1	26	97395-06016	BOLT	4
12	668-42831-00	BUSHING	1	27	92990-06600	WASHER, plate	4
13	668-42811-00-94	STAY	1	28	668-W4261-00	PANEL, front upper	1
14	97313-06016	BOLT	1	29	668-42677-00	GRAPHIC, front	1
15	90386-08M49	BUSH	1	30	668-42629-01	SEAL	1
				31	668-42755-00	HINGE, cowling	1
				32	91490-16010	PIN, cotter	1
				33	682-84381-00	2P CONCENT	1

B7

Fig. 13 BRACKET 1

Ref.No.	Parts No.	Description	Q'ty	Ref.No.	Parts No.	Description	Q'ty
1	6G8-43111-02-EJ	BRACKET, clamp	1	32	90209-45M09	WASHER	1
2	6G8-43112-03-EJ	BRACKET, clamp	1	33	6G8-42537-00	BUSHING, pivot shaft	1
3	616-43118-00-EJ	HANDLE, transom clamp	2	34	90386-37M47	BUSH	1
4	90243-04M00	PIN	2	35	93210-37M67	O-RING	1
5	90149-14030	SCREW	2	36	90386-37M48	BUSH	1
6	648-43114-01	PAD, transom clamp	2	37	6G8-44517-00-94	MOUNT RUBBER	1
7	6G8-43181-00	LEVER, tilt stop	1	38	6G8-44526-00	PLATE	1
8	682-43318-01	COVER	1	39	97395-06012	BOLT	2
9	90109-06M25	BOLT	2	40	92990-06600	WASHER, plate	2
10	95680-06100	NUT, u	2	41	97395-08030	BOLT	2
11	92990-06600	WASHER, plate	2	42	92990-08600	WASHER, plate	2
12	90206-10M15	WASHER, wave	1	43	90116-08M28	BOLT, stud	2
13	682-43339-01	WASHER	1	44	90201-08M12	WASHER, plate	2
14	90101-08M06	BOLT	1	45	6G8-44522-00	SEAL	2
15	6G8-43136-00	PIECE, friction	2	46	90460-38M06	CLAMP, hose	2
16	95780-08300	NUT, flange	1	47	6G8-44518-00	BRACKET COMP.	1
17	6A1-43113-01	PLATE, clamp bracket	1	48	6G8-44533-00	DAMPER, upper mount rubber	2
18	6G9-43311-02-EJ	BRACKET, swivel (Short)	1 UR	49	95780-08300	NUT, flange	2
	6G8-43311-13-EJ	BRACKET, swivel (Long)	1 UR	50	6G8-44521-00	SEAL	1
19	93700-06004	NIPPLE, grease	1	51	6G8-44532-00	STOPPER, upper mount	1
20	663-45119-00	CAP, grease nipple	1	52	6G8-44551-01-EJ	HOUSING, lower mount rubber	1
21	6G8-42528-00	PLATE, friction	1	53	6G8-44552-02-EJ	HOUSING, lower mount rubber	1
22	90501-18M00	SPRING, compression	1	54	97395-06045	BOLT	1
23	90201-06M31	WASHER, plate	1	55	92990-06600	WASHER, plate	1
24	6G8-43373-00	SEAL, damper	1	56	97395-06095	BOLT	2
25	97395-06025	BOLT	1	57	92990-06600	WASHER, plate	2
26	6G9-42511-01-EJ	BRACKET, steering	1	58	95380-06700	NUT	3
27	6G8-42534-00	.PIN, dowel	1	59	6G8-44557-00	MOUNT DAMPER, lower front	1
28	93605-15065	PIN, dowel	2	60	682-44555-00	MOUNT DAMPER, lower side	2
29	97315-06030	BOLT	2	61	90101-08M88	BOLT	2
30	92990-06600	WASHER, plate	2	62	92990-08600	WASHER, plate	2
31	6G9-42521-00-94	SHAFT, steering pivot (Short)	1 UR	63	95780-08300	NUT, flange	2
	6G8-42521-10-94	SHAFT, steering pivot (Long)	1 UR	64	90201-08M44	WASHER, plate	2

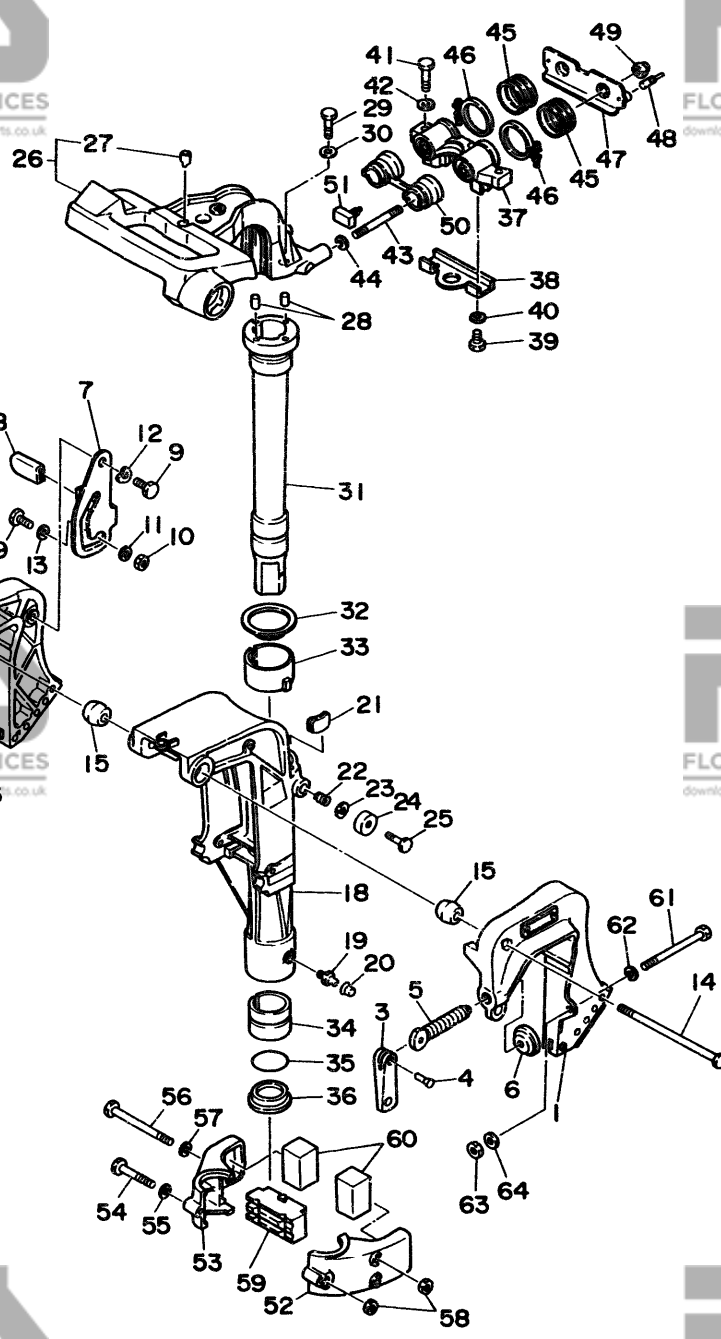


Fig. 14 BRACKET 2

Ref.No.	Parts No.	Description	Q'ty	Ref.No.	Parts No.	Description	Q'ty
1	90387-06M09	COLLAR	1	14	682-43615-01	PLATE, tilt lock	1
2	97395-06135	BOLT	1	15	682-43611-01	SHAFT, tilt lock	1
3	95380-06700	NUT	1	16	90387-06M20	COLLAR	1
4	92990-06600	WASHER, plate	1	17	682-43659-00	SHAFT, reverse lock	1
5	668-43160-01	TILT ROD ASSY	1	18	99080-05600	CIRCLIP	2
6	668-43631-01	LEVER, tilt	1	19	90506-26M01	SPRING, tension	2 UR
7	90508-12M18	SPRING, torsion	1	90506-26M07	SPRING, tension	2 UR	
8	682-43616-00	ROD, tilt lock	1	(For Dual Thrust Prop.)			
9	682-43641-00	LEVER, tilt	1	20	669-43681-00	LEVER, shallow water drive	1
10	90249-06M20	PIN	1	21	669-43643-00	SPRING	1
11	99080-05600	CIRCLIP	1	22	682-43318-01	COVER	1
12	668-43617-00	ROD, tilt lock	1	23	97395-06008	BOLT	1
13	682-43614-00	PLATE, tilt lock	1	24	92990-06600	WASHER, plate	1

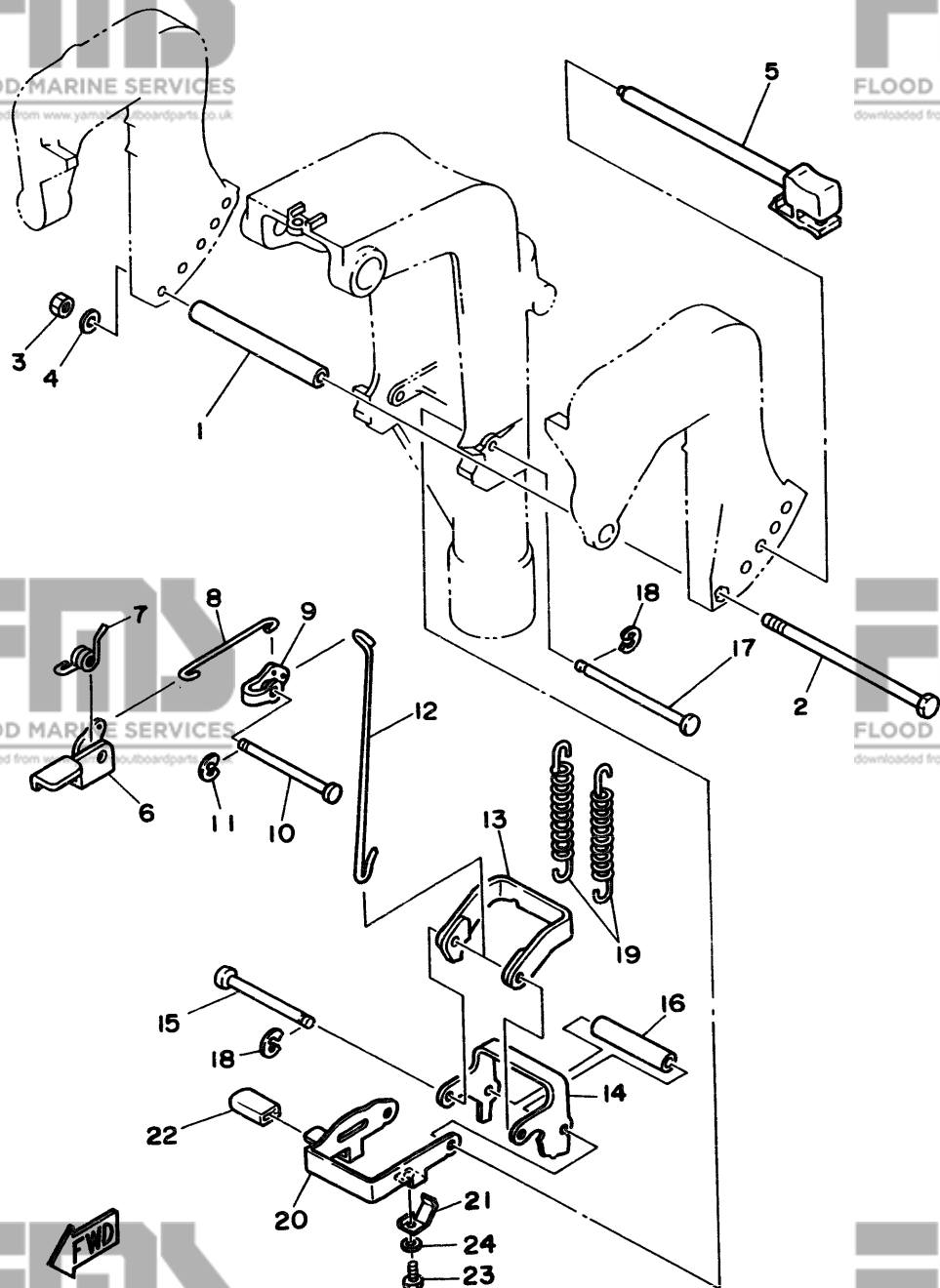
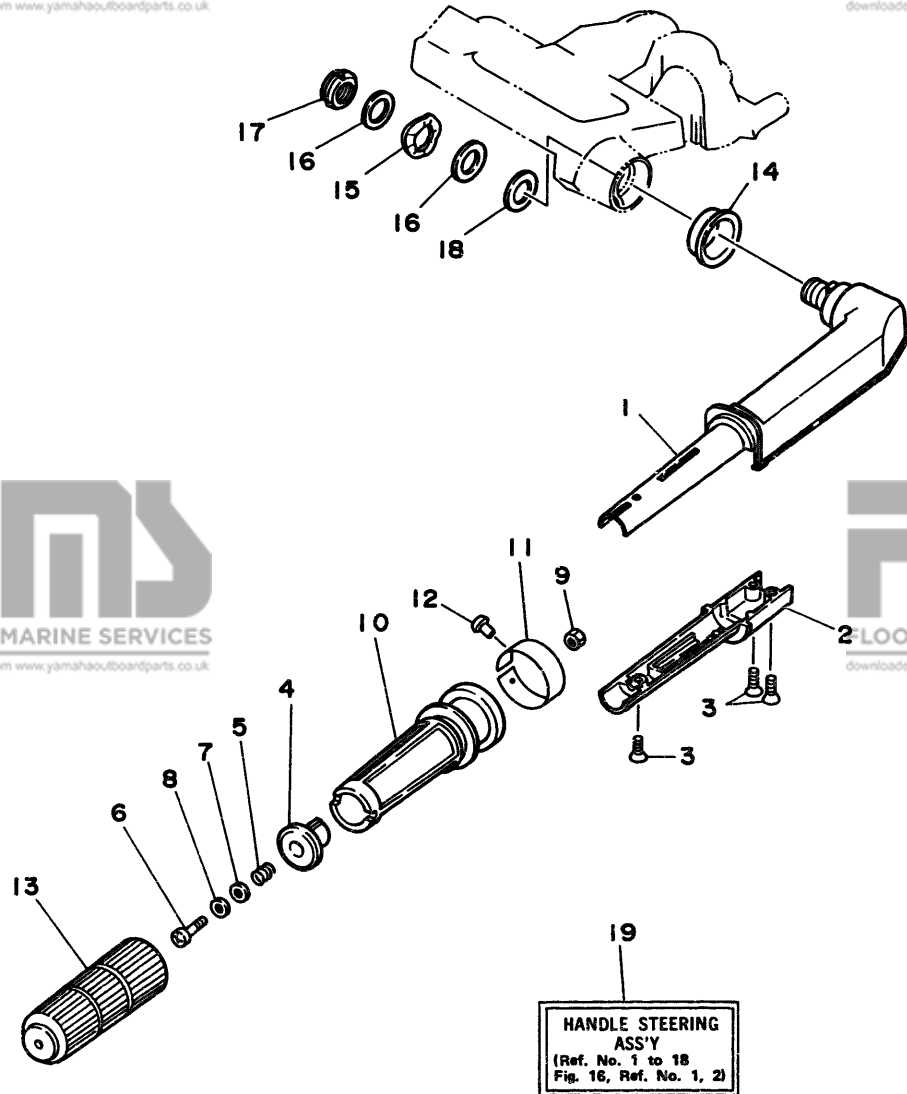


Fig. 15 STEERING

Ref.No.	Parts No.	Description	Q'ty	Ref.No.	Parts No.	Description	Q'ty
1	6G9-42111-02-EJ	HANDLE, steering	1	12	90269-02M09	RIVET	1
2	6G9-42112-01-EJ	HANDLE, steering	1	13	6G8-42177-00	RUBBER, handle	1
3	98780-05016	SCREW, flat head	3	14	90386-33M56	BUSH	1
4	6G8-42126-01-94	FRICTION, steering handle grip	1	15	90206-20M14	WASHER, wave	1
5	90501-23M42	SPRING, compression	1	16	90201-20M00	WASHER, plate	2
6	97890-06030	SCREW, pan head	1	17	90185-20M03	NUT, self-locking	1
7	90201-06049	WASHER, plate	1	18	90202-20M33	WASHER, plate	1
8	90202-06007	WASHER, plate	1	19	6G9-W0084-81-EJ	HANDLE STEERING ASSY (F9.9B Model)	1 UR
9	95380-06700	NUT	1		6J7-W0084-81-EJ	HANDLE STEERING ASSY (F8B Model)	1 UR
10	6G8-42119-00	GRIP, steering handle	1				
11	6G8-42137-01	INDICATOR, throttle (F9.9B Model)	1 UR				
	6J6-42137-00	INDICATOR, throttle (F8B Model)	1 UR				



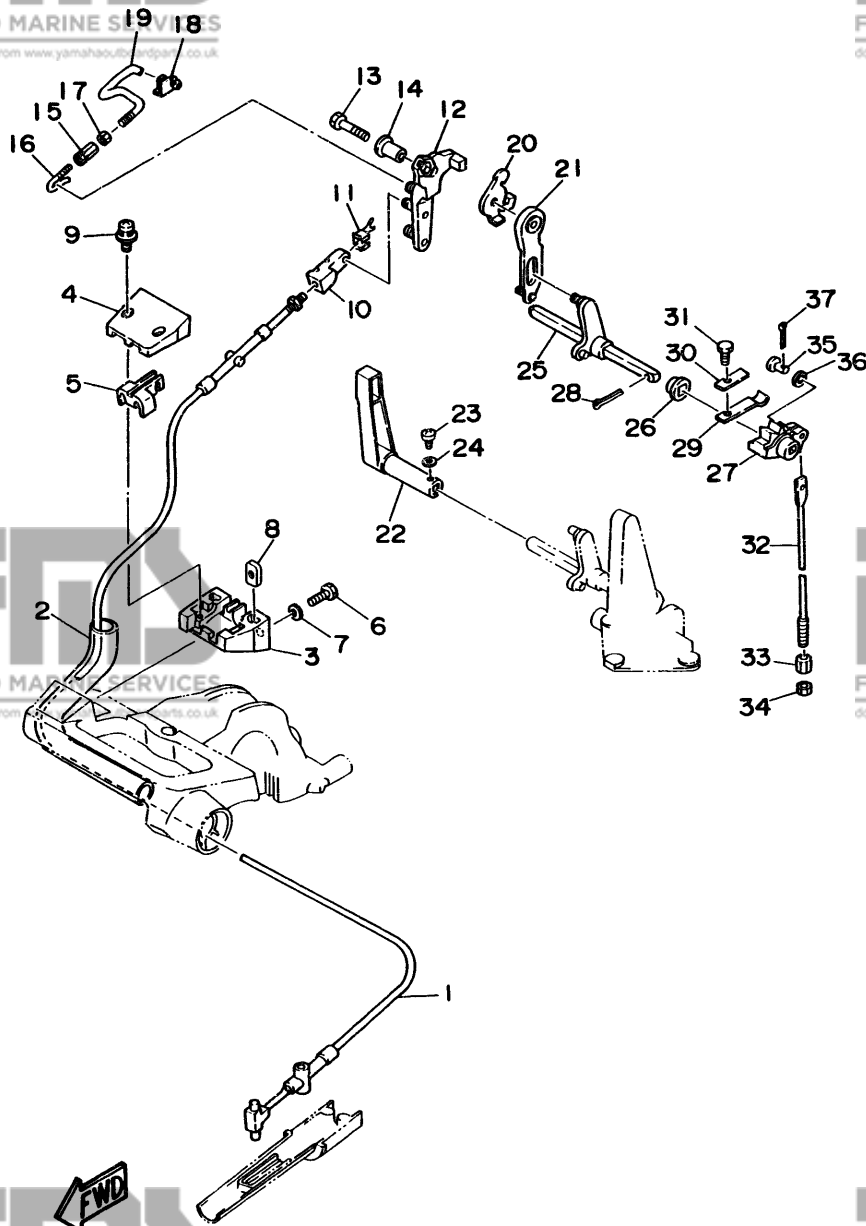


Fig. 16 CONTROL

Ref.No.	Parts No.	Description	Q'ty	Ref.No.	Parts No.	Description	Q'ty
1	6G9-48311-02	CABLE (F9.9B Model)	1 UR	20	668-14493-00	STAY 1 (F9.9B Model)	1 UR
	6J7-48311-02	CABLE (F8B Model)	1 UR		6J6-14493-00	STAY 1 (F8B Model)	1 UR
2	90445-24M00	HOSE	1	21	668-44111-00	HANDLE, gear shift	1
3	668-41661-00-98	BRACKET	1	22	669-44111-00-98	HANDLE, gear shift	1
4	668-41662-00-98	BRACKET	1	23	98503-04014	SCREW, pan head	1
5	668-41663-00	BRACKET 3	1	24	92990-04200	WASHER, plain	1
6	97395-06016	BOLT	2	25	668-44159-00	HANDLE, gear shift	1
7	92990-06600	WASHER, plate	2	26	682-44132-00	BUSHING	1
8	668-41654-00	NUT	2	27	668-44141-00	LINK, shift rod	1
9	90159-05M06	SCREW, with washer	2	28	91490-25020	PIN, cotter	1
10	668-26363-00	END, cable	1	29	682-44116-00	SPRING	1
11	668-26364-00	END, cable 2	1	30	682-44117-00	BRACKET	1
12	668-41212-00	ARM, accel.	1	31	97013-06012	BOLT	1
13	97313-06030	BOLT	1	32	669-44143-00	ROD, shift (Short)	1 UR
14	90387-06M58	COLLAR	1		668-44143-10	ROD, shift (Long)	1 UR
15	668-41238-01	JOINT, 11nk	1	33	90170-06015	NUT	1
16	668-41241-01	ROD, 11nk	1	34	95380-06700	NUT	1
17	95303-04600	NUT	1	35	91790-05020	PIN, clevis	1
18	668-41237-01	JOINT, 11nk	1	36	92990-05600	WASHER, plate	1
19	668-41242-01	ROD 2	1	37	91490-16010	PIN, cotter	1

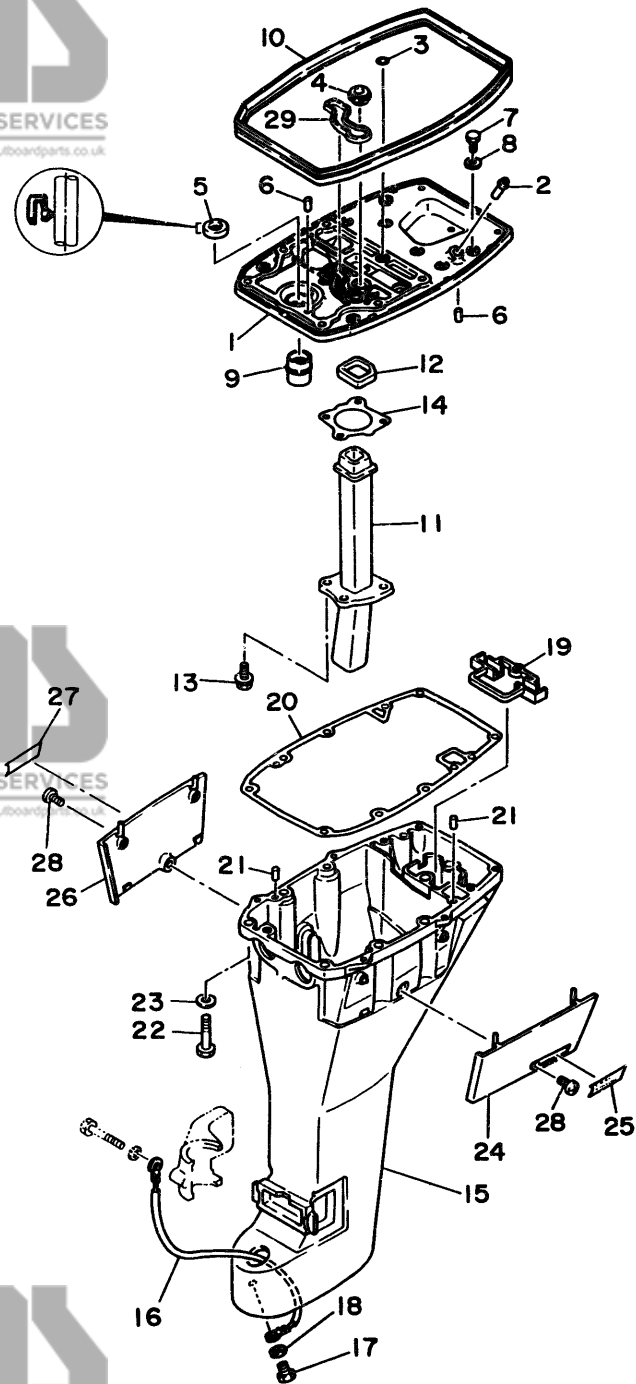


Fig. 17 UPPER CASING

Ref.No.	Parts No.	Description	Q'ty	Ref.No.	Parts No.	Description	Q'ty
1	668-41137-02-94	GUIDE, exhaust	1	15	668-45111-11-EJ	CASING, upper (Long)	1 UR
2	6E5-24377-00	PIPE, joint 3	1	16	6E5-82149-00	WIRE, lead 4	1
3	93210-08M60	O-RING	1	17	97395-06012	BOLT	1
4	668-44367-00	DAMPER, water seal	1	18	92990-06600	WASHER, plate	1
5	93101-13M27	OIL SEAL	1	19	668-45151-00	COVER, upper casing	1
6	93606-12019	PIN, dowel	2	20	668-45113-00	GASKET, upper casing	1
7	97313-06020	BOLT	2	21	93606-12019	PIN, dowel	2
8	92990-06600	WASHER, plate	2	22	97395-08040	BOLT	6
9	668-45135-00	PIPE	1	23	92990-08600	WASHER, plate	6
10	668-42716-00	RUBBER, seal 1	1	24	668-42741-00-EJ	APRON	1
11	668-41131-01	MANIFOLD, ext. 1	1	25	668-42791-00	MARK 1	1
12	668-41138-00	SEAL, ext. 1	1	26	668-42771-00-EJ	APRON	1
13	90105-06M33	BOLT, washer based	4	27	668-42792-00	MARK	1
14	668-41133-01	GASKET, exhaust manifold 1	1	28	90157-06M04	SCREW, pan head	2
15	669-45111-01-EJ	CASING, upper (Short)	1 UR	29	668-11355-00	SEAL, cylinder 1	1

C5

Fig. 18 LOWER CASING. DRIVE 1

Ref.No.	Parts No.	Description	Q'ty	Ref.No.	Parts No.	Description	Q'ty
1	669-45300-03-EJ	LOWER UNIT ASSY (Short)	1 UR	34	6E7-45587-01-18	SHIM (T:0.18MM)	1 UR
	669-45300-13-EJ	LOWER UNIT ASSY (Long)	1 UR		6E7-45587-01-30	SHIM (T:0.30MM)	1 UR
2	6E7-45311-03-EJ	CASING, lower	1		6E7-45587-01-40	SHIM (T:0.40MM)	1 UR
3	93604-08062	PIN, dowel	1		6E7-45587-01-50	SHIM (T:0.50MM)	1 UR
4	683-44362-01	TUBE, water	1	35	93341-21401	BEARING	1
5	683-44365-01	DAMPER, water seal	1	36	90179-08M06	NUT	1
6	683-44373-00	SET PLATE, water tube	1	37	6E7-45560-00	GEAR	1
7	97395-06010	BOLT	1	38	664-45567-01-10	SHIM (T:0.10MM)	1 UR
8	6E7-44366-00	DAMPER, water seal	1		664-45567-01-12	SHIM (T:0.12MM)	1 UR
9	90340-08M04	PLUG, straight screw	3		664-45567-01-15	SHIM (T:0.15MM)	1 UR
10	90430-08020	GASKET	3		664-45567-01-18	SHIM (T:0.18MM)	1 UR
11	682-45376-01	GUIDE, seal damper	1		664-45567-01-30	SHIM (T:0.30MM)	1 UR
12	93332-00005	BEARING	1		664-45567-01-40	SHIM (T:0.40MM)	1 UR
13	93315-314V8	BEARING, cylindrical	1		664-45567-01-50	SHIM (T:0.50MM)	1 UR
14	682-44300-01	HOUSING WATER PUMP ASSY	1	39	6E7-45571-00	GEAR	1
15	682-44312-00	.COVER, water pump housing	1	40	90201-17682	WASHER, plate	1
16	97780-40112	.SCREW, tapping	2	41	626-45577-00-01	SHIM (0.1T)	1 UR
17	682-44365-00	.DAMPER, water seal	1		626-45577-00-03	SHIM (0.3T)	1 UR
18	682-44322-00	INSERT, cartridge	1		626-45577-00-05	SHIM (0.5T)	1 UR
19	682-44352-01	IMPELLER	1	42	683-45611-00	SHAFT, propeller	1
20	90280-03024	KEY, woodruff	1	43	650-45635-00	PLUNGER, shift	1
21	682-44315-00	GASKET, water pump	2	44	682-45631-00	CLUTCH, dog	1
22	682-44323-00	OUTER PLATE, cartridge	1	45	90250-05010	PIN, straight	1
23	6E7-45331-00-5B	HOUSING, bearing	1	46	648-45633-00	RING, cross pin	1
24	626-45316-09	.BUSHING, drive shaft	1	47	90501-14M06	SPRING, compression	1
25	93101-20048	OIL SEAL	2	48	683-45361-00-EJ	CAP, lower casing	1
26	683-45315-00	PACKING, lower casing	1	49	93306-00501	BEARING (86005)	1
27	93606-12019	PIN, dowel	2	50	93315-317U2	BEARING, cylindrical	1
28	97395-06040	BOLT	2	51	93101-17054	OIL SEAL	2
29	92990-06600	WASHER, plate	4	52	93210-57M09	O-RING	1
30	682-44328-00	PLATE	2	53	97395-06020	BOLT	2
31	6E7-45536-00	SLEEVE, drive shaft	1	54	92990-06600	WASHER, plate	2
32	6G9-45501-00	DRIVE SHAFT COMP. (Short)	1 UR	55	6G9-44150-00	SHIFT CAM ASSY (Short)	1 UR
	6G9-45501-10	DRIVE SHAFT COMP. (Long)	1 UR		6G9-44150-10	SHIFT CAM ASSY (Long)	1 UR
33	6E7-45551-00	PINION	1	56	682-44147-00	.BOOT, shift rod	1
34	6E7-45587-01-10	SHIM (T:0.10MM)	1 UR	57	682-44176-00	BRACKET	1
	6E7-45587-01-12	SHIM (T:0.12MM)	1 UR	58	97780-50510	SCREW, tapping	1
	6E7-45587-01-15	SHIM (T:0.15MM)	1 UR				

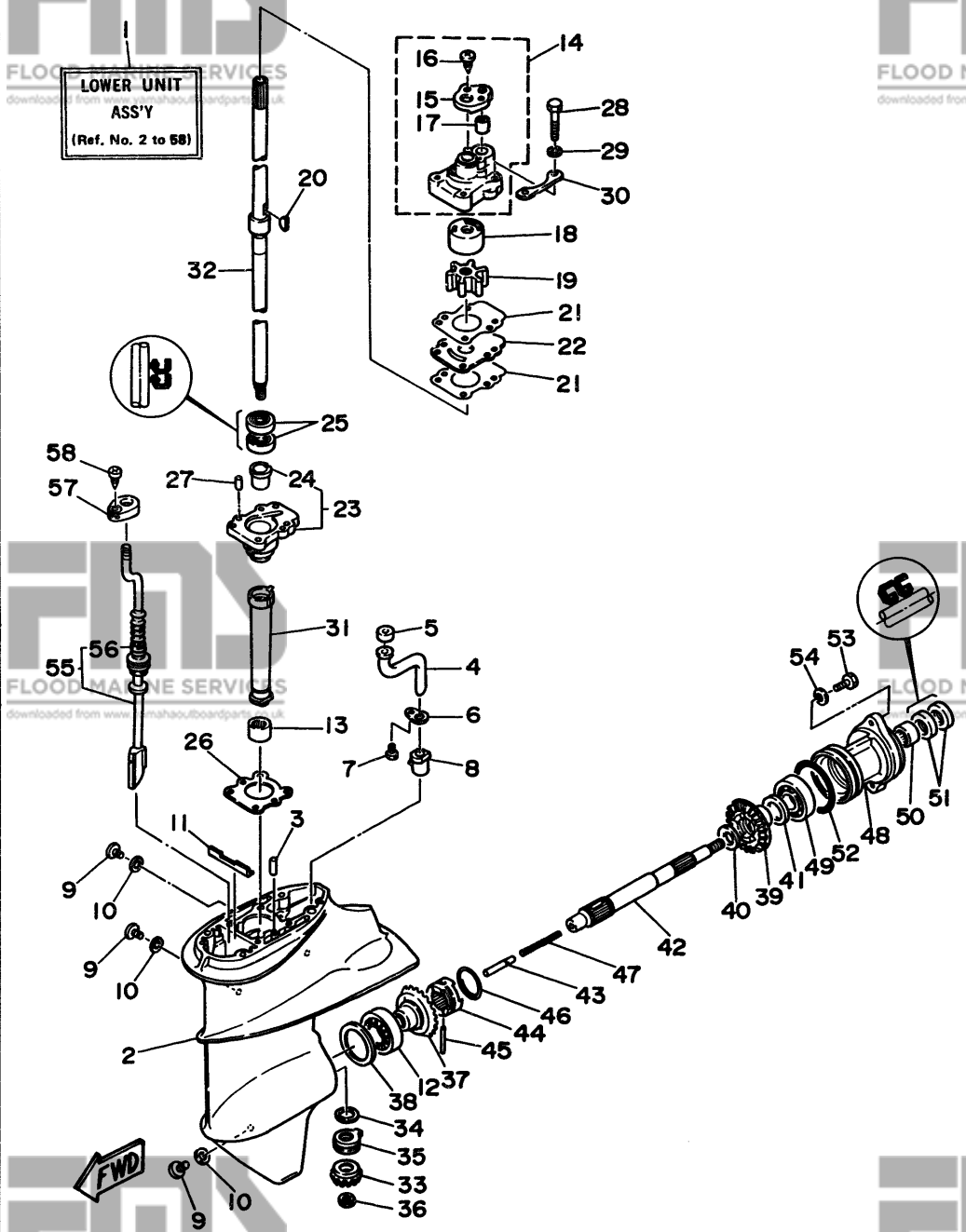


Fig. 19 LOWER CASING. DRIVE 2

Ref.No.	Parts No.	Description	Q'ty	Ref.No.	Parts No.	Description	Q'ty
1	93606-12019	PIN, dowel	2	14	683-45949-00-EL	PROPELLER (3X9-1/2"X6-1/2"-J)	1 UR
2	97090-08035	BOLT	4		683-45947-00-EL	PROPELLER (3X9-1/4"X8"-J)	1 UR
3	92990-08600	WASHER, plate	4		683-45945-00-EL	PROPELLER (3X9-1/4"X9"-J)	1 UR
4	6E8-45251-01	ANODE	1		683-45952-00-EL	PROPELLER (3X9-1/4"X9-3/4"-J)	1 UR
5	97395-06016	BOLT	1		683-45943-00-EL	PROPELLER (3X9-1/4"X10-1/2"-J)	1 UR
6	92990-06600	WASHER, plate	1		683-45941-00-EL	PROPELLER (3X9-1/4"X12"-J)	1 UR
7	6E7-45214-00	COVER, water inlet	1	DUAL THRUST PROPELLER			
8	98580-05012	SCREW, pan head	1	15	683-W4591-01-EL	PROPELLER (3X9-3/4"X8"-J)	1 UR
9	682-45375-01	DAMPER, seal	1		683-W4592-01-EL	PROPELLER (3X9-3/4"X6-1/2"-J)	1 UR
10	669-44361-00	TUBE, water (Short)	1 UK	16	6E7-45616-00	.NUT, propeller	1
	668-44361-10	TUBE, water (Long)	1 UR	17	90201-10M02	.WASHER, plate	1
11	626-44365-01	DAMPER, water seal	1	18	6E8-45987-01	SPACER	1
12	90171-10M01	NUT, castle	1	19	90201-10M01	WASHER, plate	1
13	91490-30020	PIN, cotter	1 UR				
	91490-30025	PIN, cotter (For Dual Thrust Prop.)	1 UR				

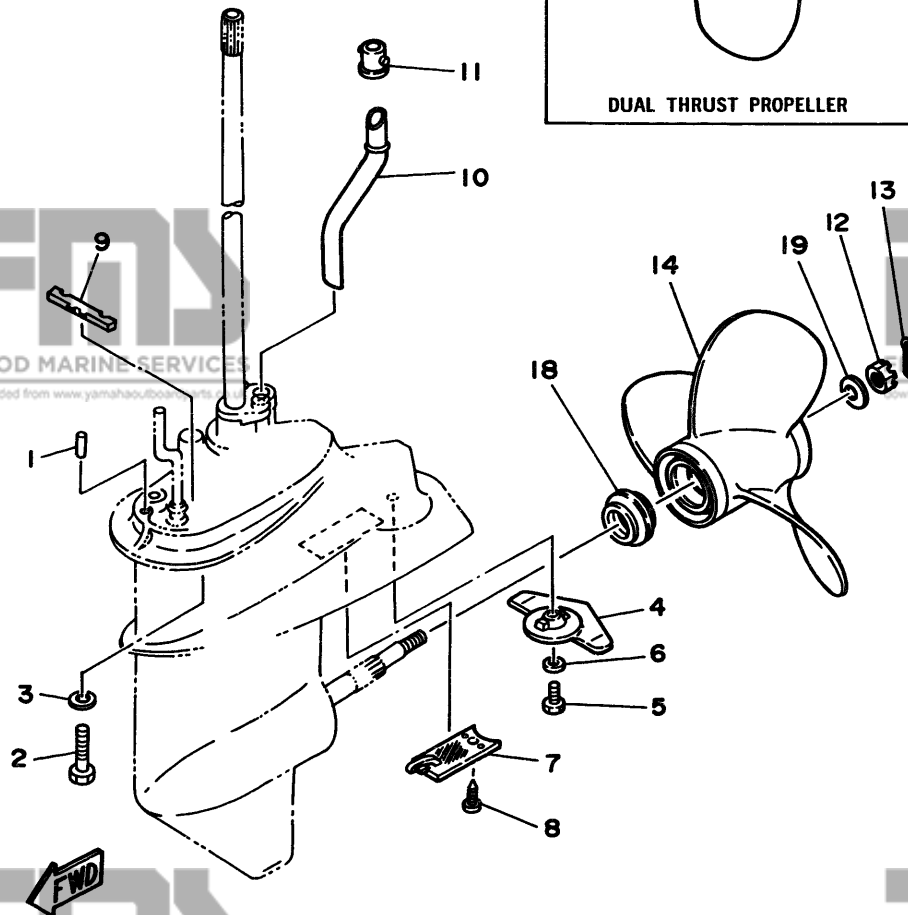
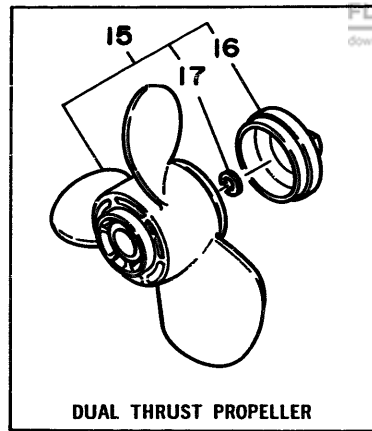
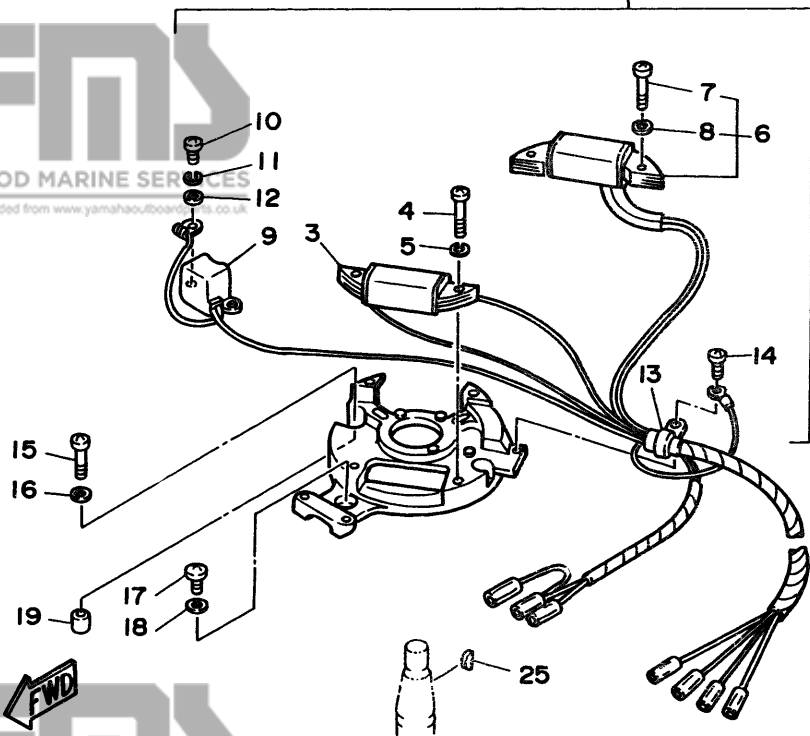
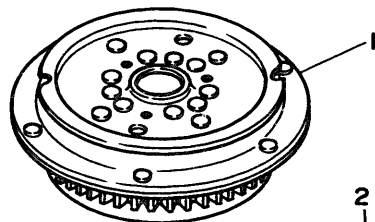
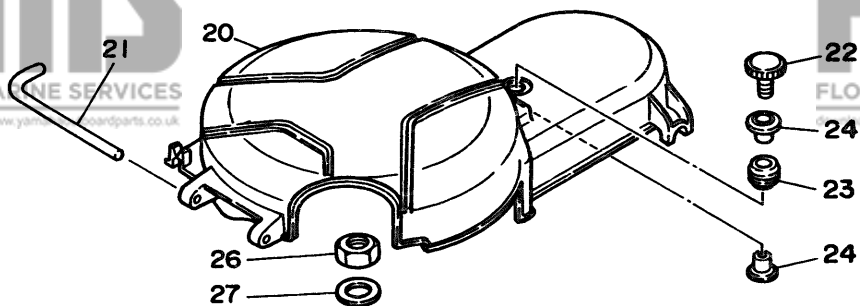


Fig. 20 GENERATOR

Ref.No.	Parts No.	Description	Q'ty	Ref.No.	Parts No.	Description	Q'ty
1	668-85550-J0	ROTOR ASSY	1	15	98580-06025	SCREW, pan head	2
2	669-85560-F0	BASE ASSY	1	16	92990-06600	WASHER, plate	2
3	668-85520-00	.COIL, charge	1	17	92580-06020	SCREW, pan head	1
4	98503-05025	.SCREW, pan head	2	18	92990-06600	WASHER, plate	2
5	92990-05100	.WASHER, spring	2	19	99510-08012	PIN, dowel	2
6	669-81303-F0	.LIGHTING COIL ASSY	1	20	668-81337-00	COVER, flywheel	1
7	98503-05025	.SCREW, pan head	2	21	668-42752-00	SHAFT	1
8	92990-05100	.WASHER, spring	2	22	668-81323-00	SCREW 1	1
9	668-85580-00	.COIL, pulser	1	23	90480-15M31	GROMMET	1
10	98580-05012	.SCREW, pan head	2	24	90387-06M71	COLLAR	2
11	92990-05100	.WASHER, spring	2	25	90280-05013	KEY, woodruff	1
12	92990-05600	.WASHER, plate	2	26	90170-12066	NUT	1
13	445-81328-20	.CLAMP	1	27	90201-12472	WASHER, plate	1
14	98580-04008	.SCREW, pan head	1				



D1

Fig. 21 ELECTRIC PARTS

Ref.No.	Parts No.	Description	Q'ty	Ref.No.	Parts No.	Description	Q'ty
1	669-85540-20	C.D.I. UNIT ASSY	1	17	6G8-82127-00	WIRE, lead 2	1
2	97313-06025	BOLT	2	18	6G8-83582-01	PILOT LIGHT ASSY	1
3	92990-06600	WASHER, plate	2	19	6G9-82575-00	ENGINE STOP SWITCH ASSY	1
4	6G8-85570-20	IGNITION COIL ASSY	1	20	6B2-82556-00	.STOPPER	1
5	90480-25161	GROMMET	2	21	90446-10M02	HOSE	1
6	97313-06020	BOLT	2	22	6J8-81960-00	RECTIFIER & REGULATOR ASSY	1
7	92990-06600	WASHER, plate	2	23	6G9-81948-00	BRACKET	1
8	6G8-82370-20	PLUG CAP ASSY	2	24	6G8-81948-01	BRACKET	1
9	6G8-85542-00	BRACKET	1	25	97313-06025	BOLT	2
10	97313-06020	BOLT	2	26	92990-06600	WASHER	2
11	92990-06600	WASHER, plate	2	27	90387-06M70	COLLAR	2
12	6G8-85525-00	PLATE	1	28	90480-13M24	GROMMET	2
13	6G8-81916-00	COVER, terminal	1	29	95303-06700	NUT	2
14	98980-06008	SCREW, bind	1	30	97313-06016	BOLT	2
15	6G8-82522-00	CLAMP, coupler	1	31	92990-06600	WASHER, plate	2
16	6G8-82504-00	OIL PRESSURE SWITCH ASSY	1	32	6J8-82105-10	WIRE, harness	1 AP

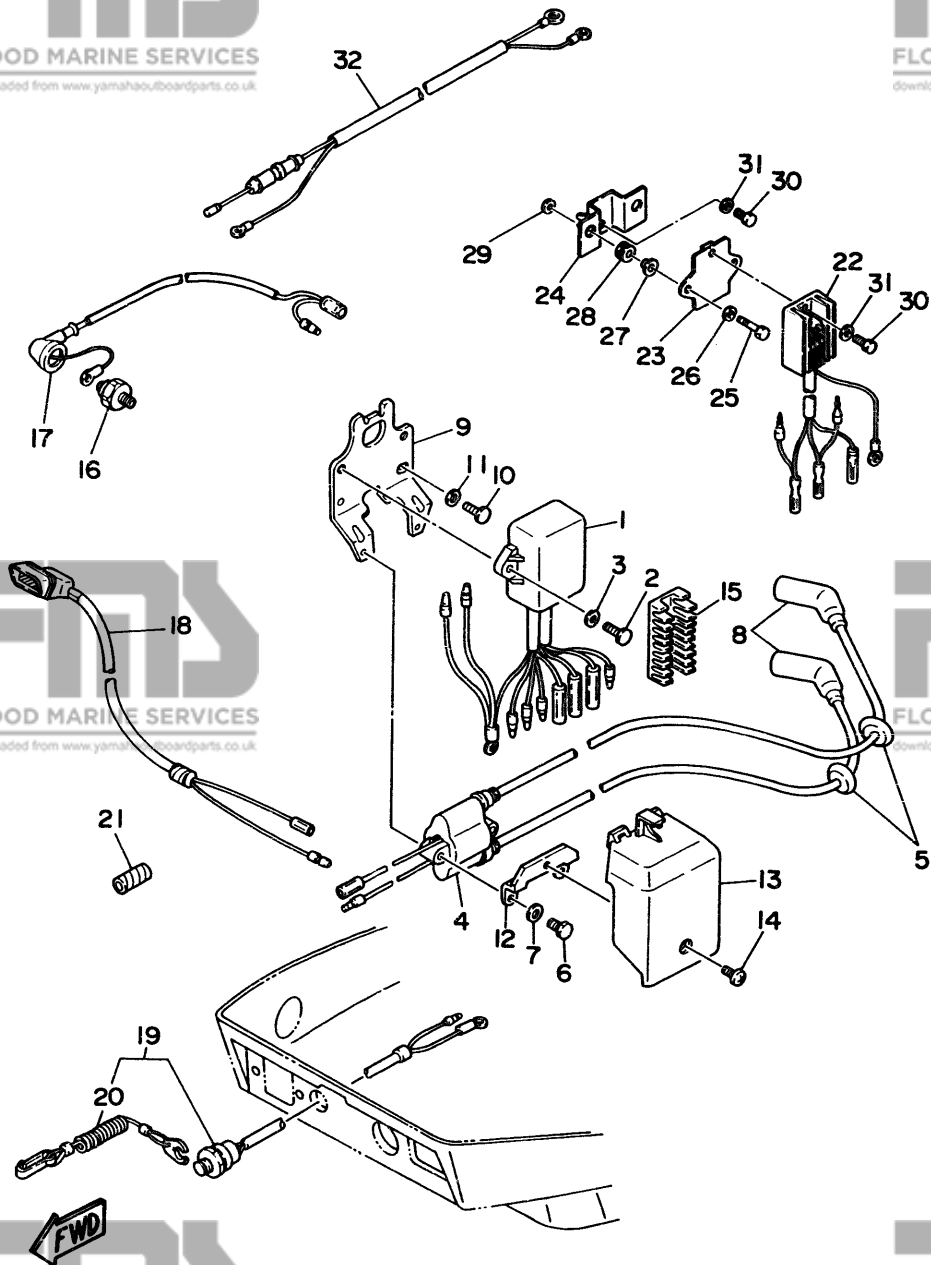


Fig. 22 ELECTRIC MOTOR (F88EM/F88E/F9.98EM/F9.98E MODEL)

Ref.No.	Parts No.	Description	Q'ty	Ref.No.	Parts No.	Description	Q'ty
1	668-81800-10	STARTING MOTOR ASSY	1	11	689-81807-12	.GEAR ASSY, starting motor	1
2	689-81850-11	.ARMATURE ASSY	1	12	689-81857-11	.RETAINER	1
3	689-81809-11	.WASHER KIT	1	13	6F5-81830-11	.FRONT BRACKET ASSY	1
4	689-81810-11	.STATOR ASSY	1	14	689-81826-10	.BOLT	2
5	.O-RING	2	15	97013-08025	BOLT	2	
6	689-81811-11	.BRUSH 1	1	16	92990-08600	WASHER, plate	2
7	689-81840-11	.BRUSH HOLDER ASSY	1	17	97395-08016	BOLT	1
8	689-81812-11	.BRUSH 2	1	18	92990-08600	WASHER, plate	1
9	689-81813-10	.SPRING, brush	2	19	668-81822-40-94	BRACKET, starting motor	1
10	689-81820-11	.REAR BRACKET ASSY	1				

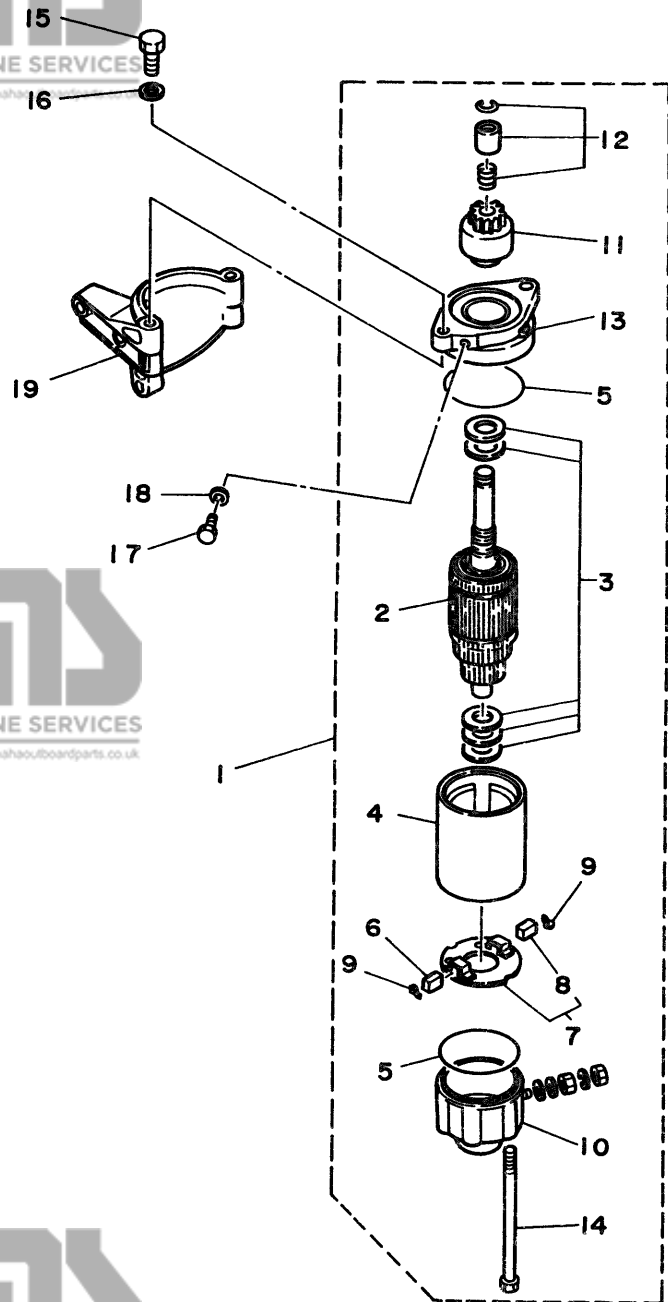


Fig. 23 GENERATOR (F88EM/F88E/F9.9BEM/F9.9BE MODEL)

Ref.No.	Parts No.	Description	Q'ty	Ref.No.	Parts No.	Description	Q'ty
1	668-85550-K0	ROTOR ASSY	1	8	92990-05100	..WASHER, spring	2
2	669-85560-F0	BASE ASSY	1	9	668-85580-F0	..COIL, pulser	1
3	668-85520-00	..COIL, charge	1	10	98580-05012	..SCREW, pan head	2
4	98503-05025	..SCREW, pan head	2	11	92990-05100	..WASHER, spring	2
5	92990-05100	..WASHER, spring	2	12	92990-05600	..WASHER, plate	2
6	669-81303-F0	..LIGHTING COIL ASSY	1	13	445-81328-20	..CLAMP	1
7	98503-05025	..SCREW, pan head	2	14	98580-04008	..SCREW, pan head	1

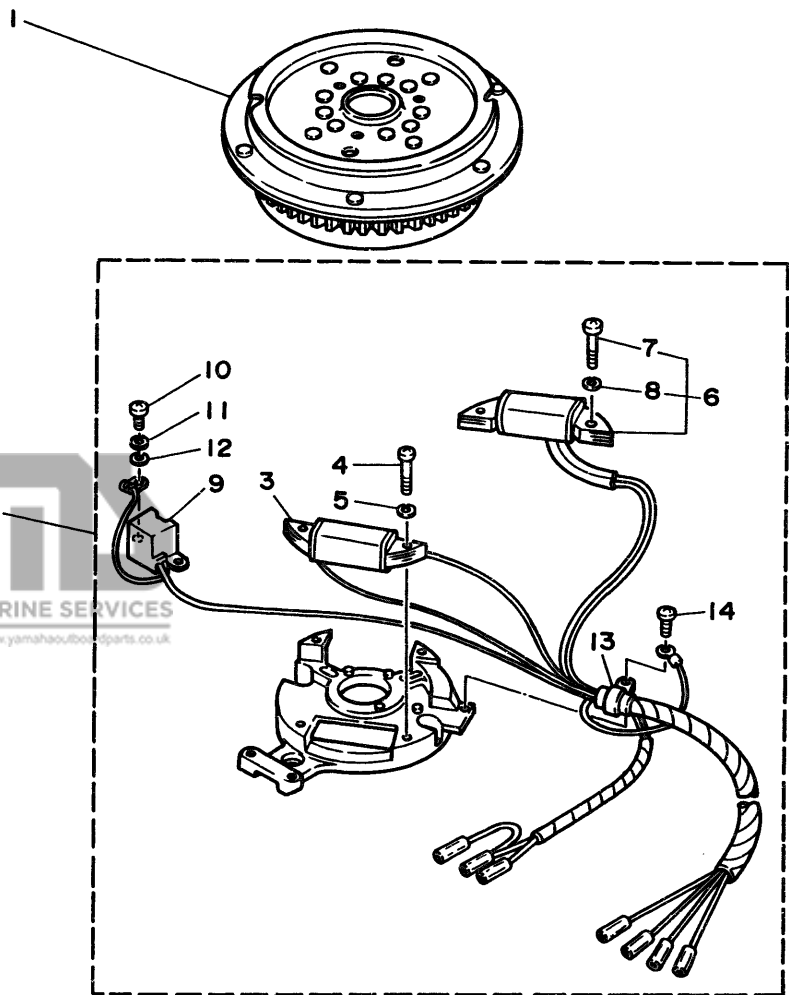


Fig. 24 ELECTRIC PARTS 1 (F88EM/F9.98EM MODEL)

Ref.No.	Parts No.	Description	Q'ty	Ref.No.	Parts No.	Description	Q'ty
1	6J0-81941-10	STARTER RELAY ASSY	1	13	97013-06012	BOLT	1
2	661-81952-00	HOLDER, relay	1	14	92990-06600	WASHER, plate	1
3	668-81953-00	STAY, relay	1	15	668-42724-40	GROMMET	1
4	97013-06012	BOLT	1	16	668-44261-10	PANEL, front upper	1
5	92990-06600	WASHER, plate	1	17	668-42677-10	GRAPHIC, front	1
6	668-81870-00	STARTING SWITCH ASSY	1	18	668-44125-00	LEVER, shift rod	1
7	668-82105-00	WIRE HARNESS	1	19	668-81960-A1	RECTIFIER & REGULATOR ASSY	1
8	668-82117-00	WIRE, lead	1	20	97313-06016	BOLT	2
9	668-82150-00	FUSE HOLDER ASSY	1	21	92990-06600	WASHER, plate	2
10	682-82151-00	.FUSE (12V-20A)	1	22	668-81948-01	BRACKET	1
11	6H3-82540-00	NEUTRAL SWITCH ASSY	1	23	97313-06016	BOLT	1
12	668-82554-00	STAY, neutral switch	1	24	92990-06600	WASHER, plate	1

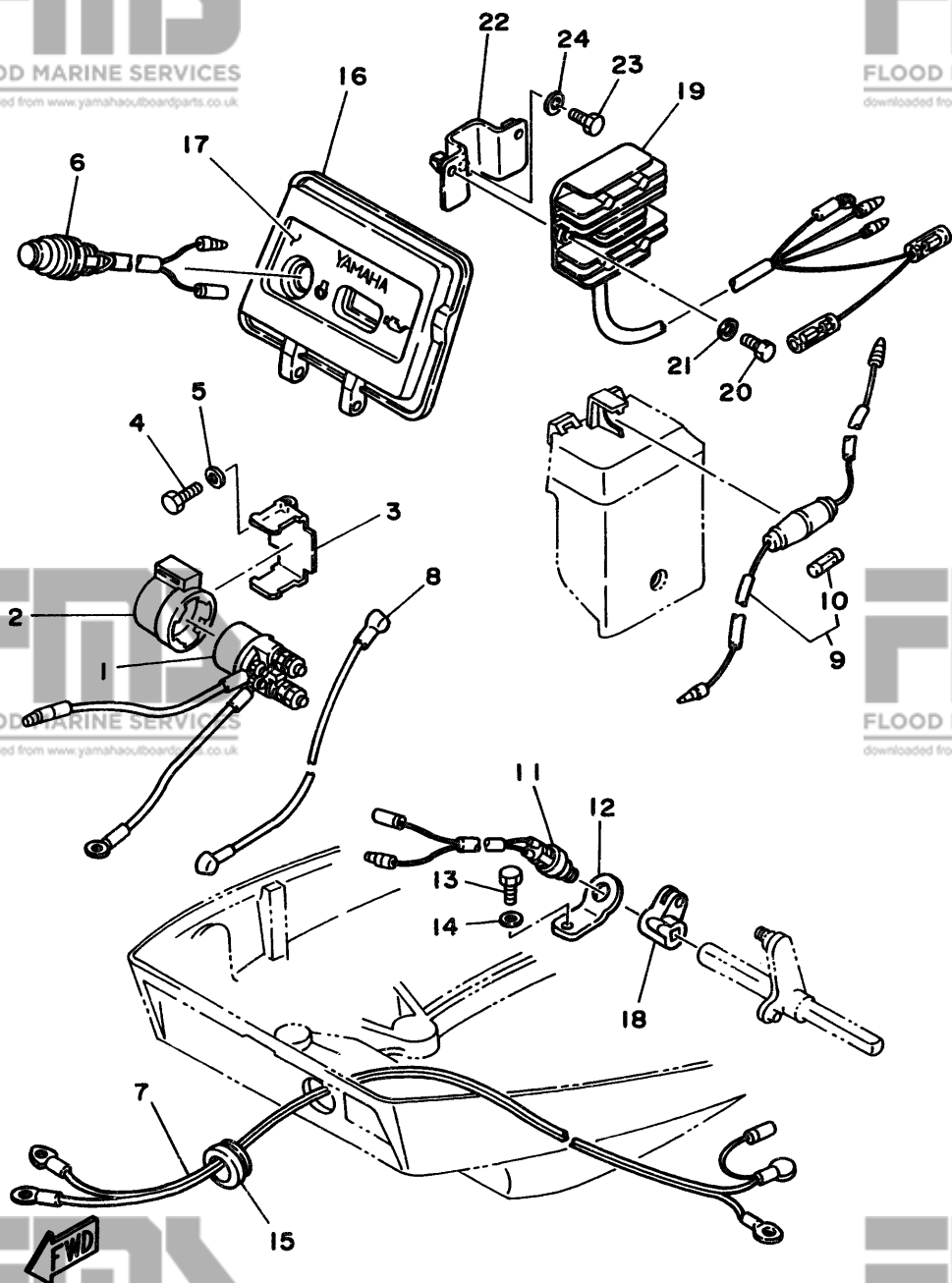
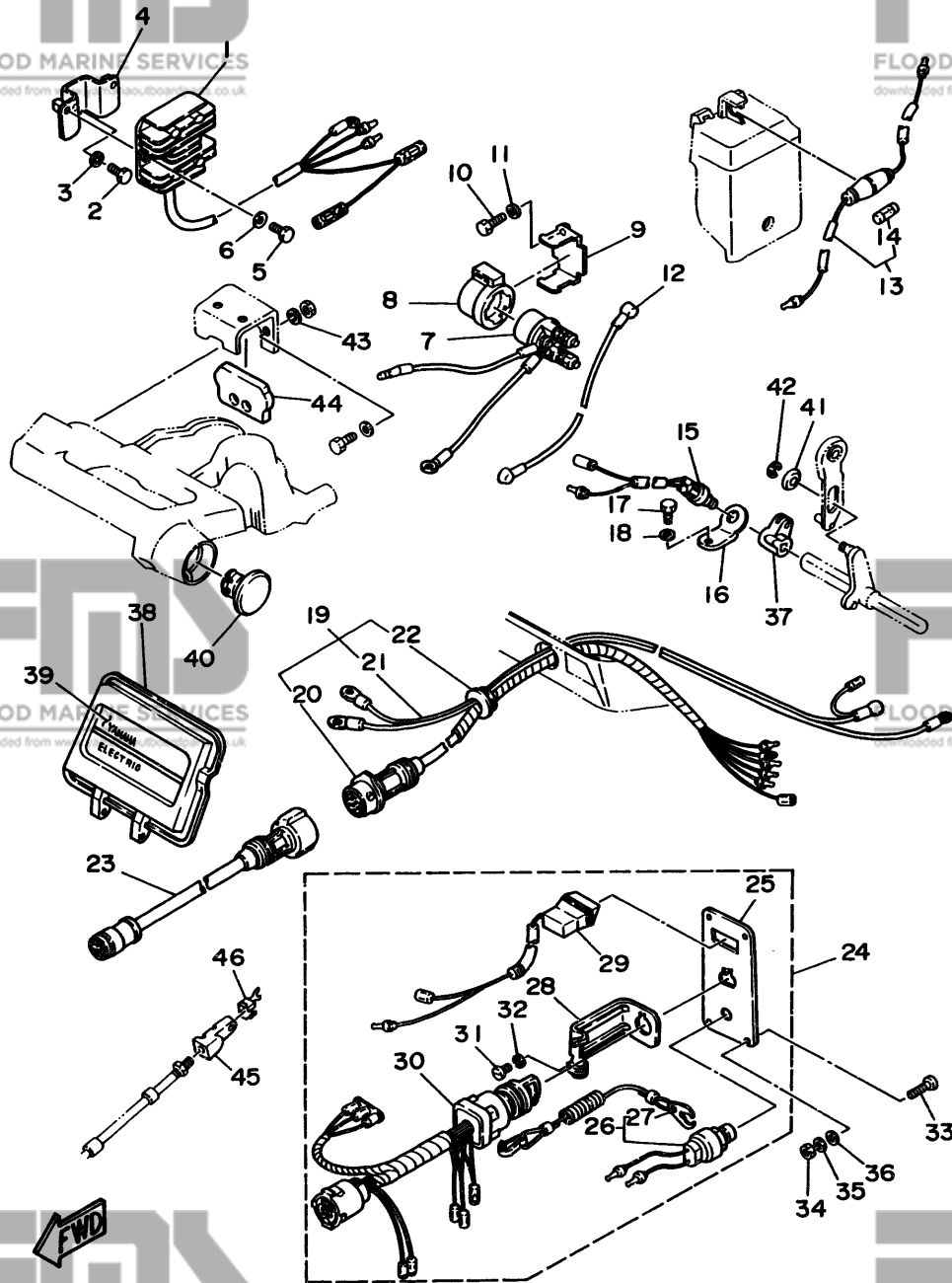


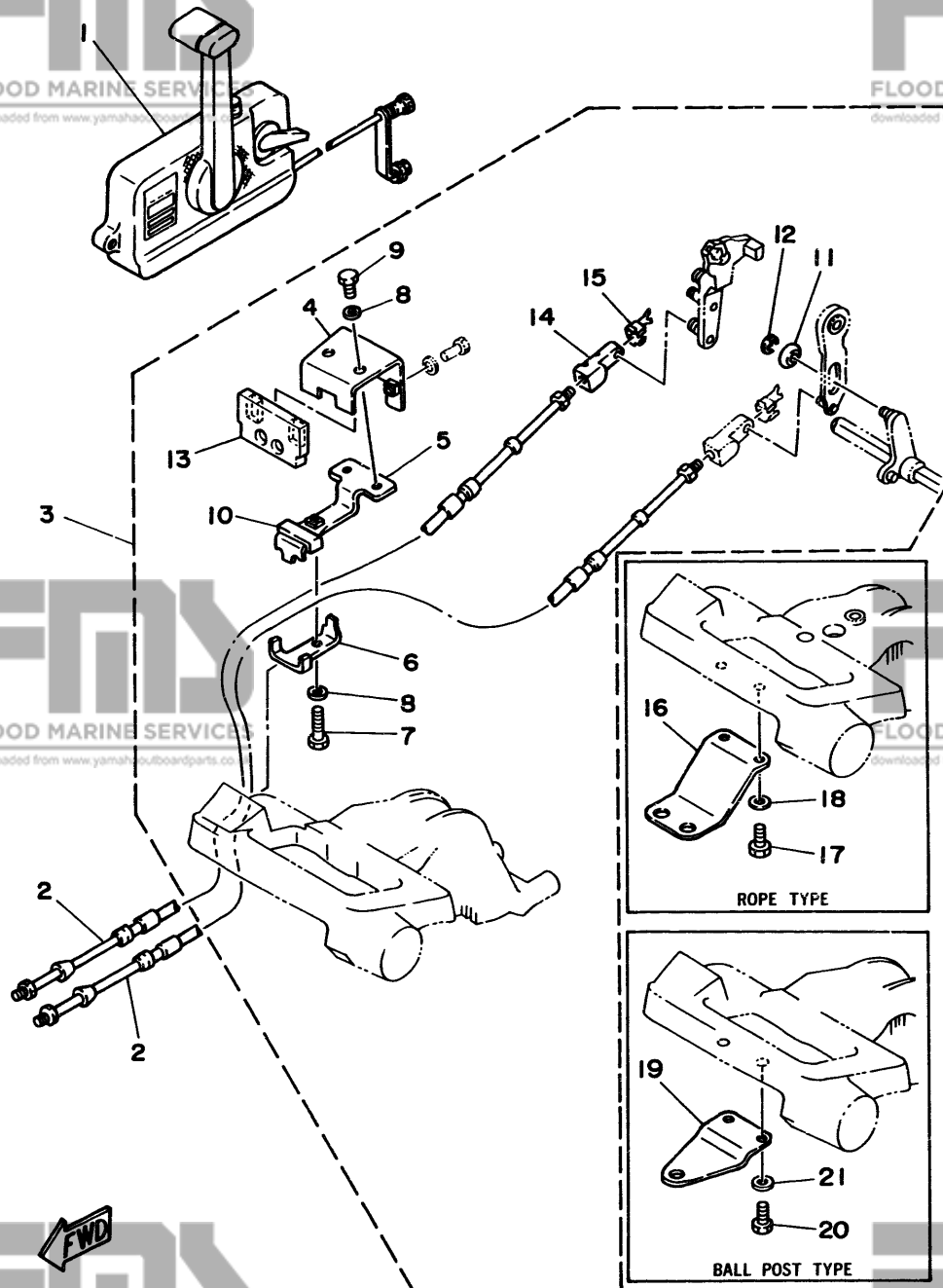
Fig. 25 ELECTRIC PARTS 2 (F88E/F9.98E MODEL)

Ref.No.	Parts No.	Description	Q'ty	Ref.No.	Parts No.	Description	Q'ty
1	6G8-81960-A1	RECTIFIER & REGULATOR ASSY	1	24	6G8-82570-02	PANEL SWITCH ASSY	1
2	97313-06016	BOLT	2	25	6G8-82571-01	.PANEL, switch	1
3	92990-06600	WASHER, plate	2	26	688-82575-01	.ENGINE STOP SWITCH ASSY	1
4	6G8-81948-01	BRACKET	1	27	682-82556-00	..STOPPER	1
5	97313-06016	BOLT	1	28	663-82581-01	.STAY, cord clamp	1
6	92990-06600	WASHER, plate	1	29	6G8-83582-01	.PILOT LIGHT ASSY	1
7	6J0-81941-10	STARTER RELAY ASSY	1	30	6G8-82510-00	.MAIN SWITCH ASSY	1
8	6G1-81952-00	HOLDER, relay	1	31	98980-04008	.SCREW, bind	1
9	6G8-81953-00	STAY, relay	1	32	92903-04100	.WASHER, spring	1
10	97013-06012	BOLT	1	33	90149-05M05	SCREW	4
11	92990-06600	WASHER, plate	1	34	95303-05600	NUT	4
12	6G8-82117-00	WIRE, lead	1	35	92990-05100	WASHER, spring	4
13	6G8-82150-00	FUSE HOLDER ASSY	1	36	92990-05600	WASHER, plate	4
14	682-82151-00	.FUSE (12V-20A)	1	37	6G8-44125-00	LEVER, shift rod	1
15	6H3-82540-00	NEUTRAL SWITCH ASSY	1	38	6G8-W4261-10	PANEL, front upper	1
16	6G8-82554-00	STAY, neutral switch	1	39	6G8-42677-20	GRAPHIC, front	1
17	97013-06012	BOLT	1	40	6G8-42551-00	GROMMET	1
18	92990-06600	WASHER, plate	1	41	90387-06M73	COLLAR	1
19	6G8-82580-00	WIRE HARNESS ASSY 2	1	42	93430-04M03	CIRCLIP	1
20	6G8-82590-00	.WIRE HARNESS ASSY	1	43	92990-06600	WASHER, plate	2
21	6G8-82105-00	.WIRE HARNESS	1	44	6G8-48351-51	SEAL, rubber	1
22	6G8-42724-50	.GROMMET	1	45	6G8-26363-00	END, cable	1
23	688-82586-50	EXTENSION, wireharness L:5m (7P)	1	46	6G8-26364-00	END, cable 2	1



D6

Fig. 26 REMOTE CONTROL



Ref.No.	Parts No.	Description	Q'ty	Ref.No.	Parts No.	Description	Q'ty
1	701-48101-10	REMOTE CONTROL ASSY (See Fig. 27)	1	3	668-48501-03	REMOTE CONT. ATTACHMENT ASSY.	1
2	701-48310-10	CABLE, remote control (L:6F)	2	4	668-48531-51	.BRACKET, remote control 1	1
	701-48310-20	CABLE, remote control (L:7F)	2	5	668-48532-50	.BRACKET, remote control 2	1
	701-48310-40	CABLE, remote control (L:8F)	2	6	668-48538-50	.CLAMP, cable 1	1
	701-48310-60	CABLE, remote control (L:9F)	2	7	97395-06030	.BOLT	1
	701-48310-80	CABLE, remote control (L:10F)	2	8	92990-06600	.WASHER, plate	3
	701-48310-90	CABLE, remote control (L:11F)	2	9	97395-06012	.BOLT	2
	701-48320-00	CABLE, remote control (L:12F)	2	10	668-48565-50	.GROMMET	1
	701-48320-20	CABLE, remote control (L:13F)	2	11	90387-06M73	.COLLAR	1
	701-48320-30	CABLE, remote control (L:14F)	2	12	93430-04M03	.CIRCLIP	1
	701-48320-50	CABLE, remote control (L:15F)	2	13	668-48351-51	.SEAL, rubber	1
	701-48320-60	CABLE, remote control (L:16F)	2	14	668-26363-00	.END, cable	1
	701-48320-80	CABLE, remote control (L:17F)	2	15	668-26364-00	.END, cable 2	1
	701-48320-90	CABLE, remote control (L:18F)	2	16	668-48511-00	HOOK, steering (Rope Type)	1 AP
	701-48320-40	CABLE, remote control (L:19F)	2	17	97395-06016	BOLT	2
	701-48320-70	CABLE, remote control (L:20F)	2	18	92990-06600	WASHER, plate	2
	701-48350-00	CABLE, remote control (L:21F)	2	19	668-48511-10	HOOK, steering (Ball Post Type)	1 AP
	701-48350-10	CABLE, remote control (L:22F)	2	20	97395-06016	BOLT	2
	701-48350-20	CABLE, remote control (L:23F)	2	21	92990-06600	WASHER, plate	2

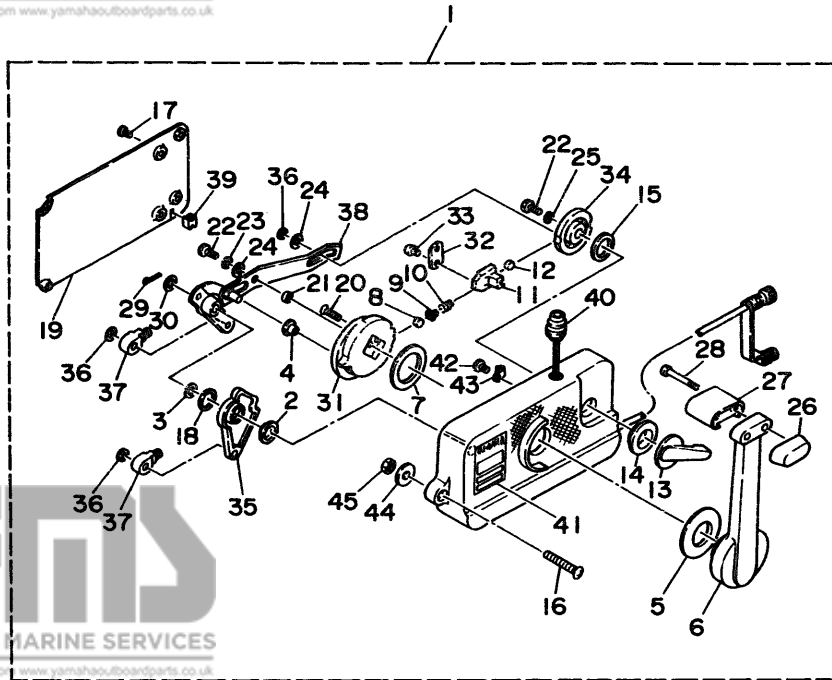
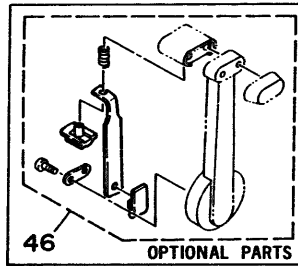


Fig. 27 REMOTE CONTROL ASSY

Ref.No.	Parts No.	Description	Q'ty	Ref.No.	Parts No.	Description	Q'ty
1	701-48101-10	REMOTE CONTROL ASSY	1	24	701-48246-00	.SPACER	2
2	701-48235-00	.BUSHING	1	25	92990-06300	.WASHER, internal tooth	1
3	701-48197-10	.WASHER, wave	1	26	701-48229-00	.GRIP, control lever	1
4	701-48252-00	.ROLLER, cam	1	27	701-48222-00	.GRIP, control lever	1
5	701-48234-00	.BUSHING 1	1	28	701-48282-00	.SCREW	2
6	701-48221-00	.LEVER, control	1	29	701-48239-00	.SET PIN, plate	1
7	701-48196-11	.WASHER, wave	1	30	701-48266-00	.SPACER	1
8	701-48236-00	.ROLLER, detent	1	31	701-48232-00	.GEAR	1
9	702-48237-00	.ADAPTOR	1	32	701-48189-11	.RETAINER	1
10	702-48238-00	.SPRING, detent	1	33	98580-05010	.SCREW, pan head	2
11	701-48249-00	.ADAPTOR, spring	1	34	701-48153-12	.SHAFT, free accel.	1
12	701-48248-00	.ROLLER, free accel.	1	35	701-48271-00	.ARM, shift	1
13	701-48152-11	.KNOB, free accel.	1	36	93430-06024	.CIRCLIP	3
14	701-48243-00	.BUSHING	1	37	703-48345-01	.CABLE END, remote control 2	2
15	701-48198-10	.WASHER, wave	1	38	701-48261-00	.ARM, throttle	1
16	701-48281-00	.SCREW	3	39	701-48358-00	.ANCHOR, cable	1
17	701-48289-00	.SCREW	4	40	701-82550-50	.ENGINE STOP SWITCH ASSY	1
18	701-48268-00	.SPACER	1	41	701-48126-00	.GRAPHIC	1
19	701-48213-00	.PLATE	1	42	701-48283-00	.SCREW	1
20	92780-06025	.SCREW, flat head	2	43	701-82594-00	.CLAMP	1
21	701-48255-00	.COLLAR	1	44	701-48287-00	.WASHER	3
22	97395-06018	.BOLT	2	45	95380-06600	.NUT	3
23	702-48288-00	.WASHER, plain	1	46	701-48280-00	NEUTRAL LOCK KIT	1 AP



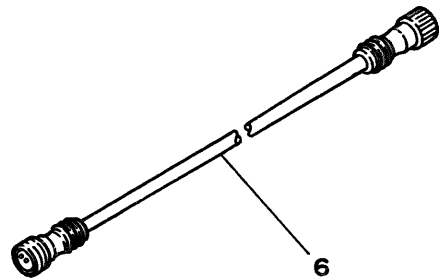
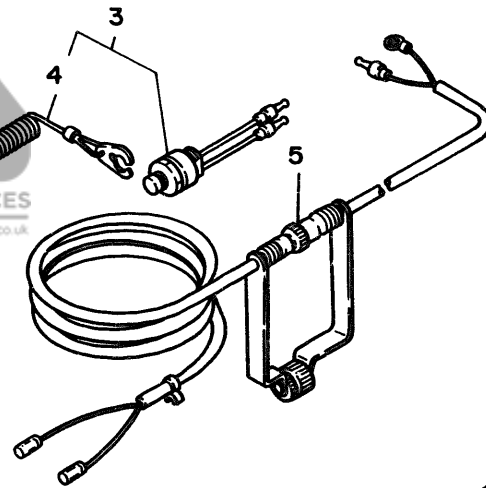
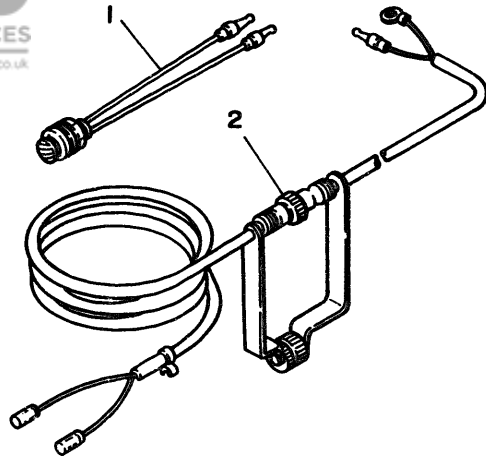


Fig. 28 OPTIONAL PARTS

Ref.No.	Parts No.	Description	Q'ty	Ref.No.	Parts No.	Description	Q'ty
1	689-82550-11	ENGINE STOP SWITCH ASSY (5m)	1	4	682-82556-00	.STOPPER	1
2	6A0-82553-20	EXTENSION, wire lead	1	5	6A0-82553-20	EXTENSION, wire lead	1
3	689-82575-12	ENGINE STOP SWITCH ASSY (5m)	1	6	689-82553-10	EXTENSION, wire lead	1

Fig. 29 REPAIR KIT 1

Ref.No.	Parts No.	Description	Q'ty	Ref.No.	Parts No.	Description	Q'ty
1	668-W0001-02	POWER HEAD GASKET KIT	1	17	93210-10M61	.O-RING	1
2	668-41112-02	.GASKET, exhaust inner cover	1	18	93210-09M01	.O-RING	3
3	668-41114-00	.GASKET, exhaust outer cover	1	19	668-W0093-00	CARBURETOR REPAIR KIT	1
4	668-12414-00	.GASKET, cover	1	20	668-14198-00	.GASKET	1
5	668-11181-00	.GASKET, cylinder head 1	1	21	668-14384-00	.GASKET, float chamber	1
6	93210-11M59	.O-RING	1	22	647-14386-00	.PIN, float	1
7	93210-13M63	.O-RING	3	23	654-14198-00	.GASKET	1
8	93210-24M79	.O-RING	1	24	668-14323-00	.SCREW, air adjusting	1
9	668-11351-00	.GASKET, cylinder	1	25	668-14392-00	.VALVE, needle	1
10	93102-30M22	.OIL SEAL	1	26	668-14385-00	.FLOAT	1
11	93101-25M24	.OIL SEAL	1	27	98580-04016	.SCREW, pan head	1
12	93102-18M21	.OIL SEAL	1	28	92903-04100	.WASHER, spring	1
13	668-13646-00	.GASKET, manifold 2	2	29	33A-14369-00	.DIAPHRAGM ASSY 2	1
14	668-13645-00	.GASKET, manifold 1	1	30	1J2-14397-00	.O-RING	2
15	668-14198-00	.GASKET	1	31	5H0-14397-00	.O-RING	1
16	668-15374-00	.GASKET, breather	1	32	5Y1-14397-00	.O-RING	1

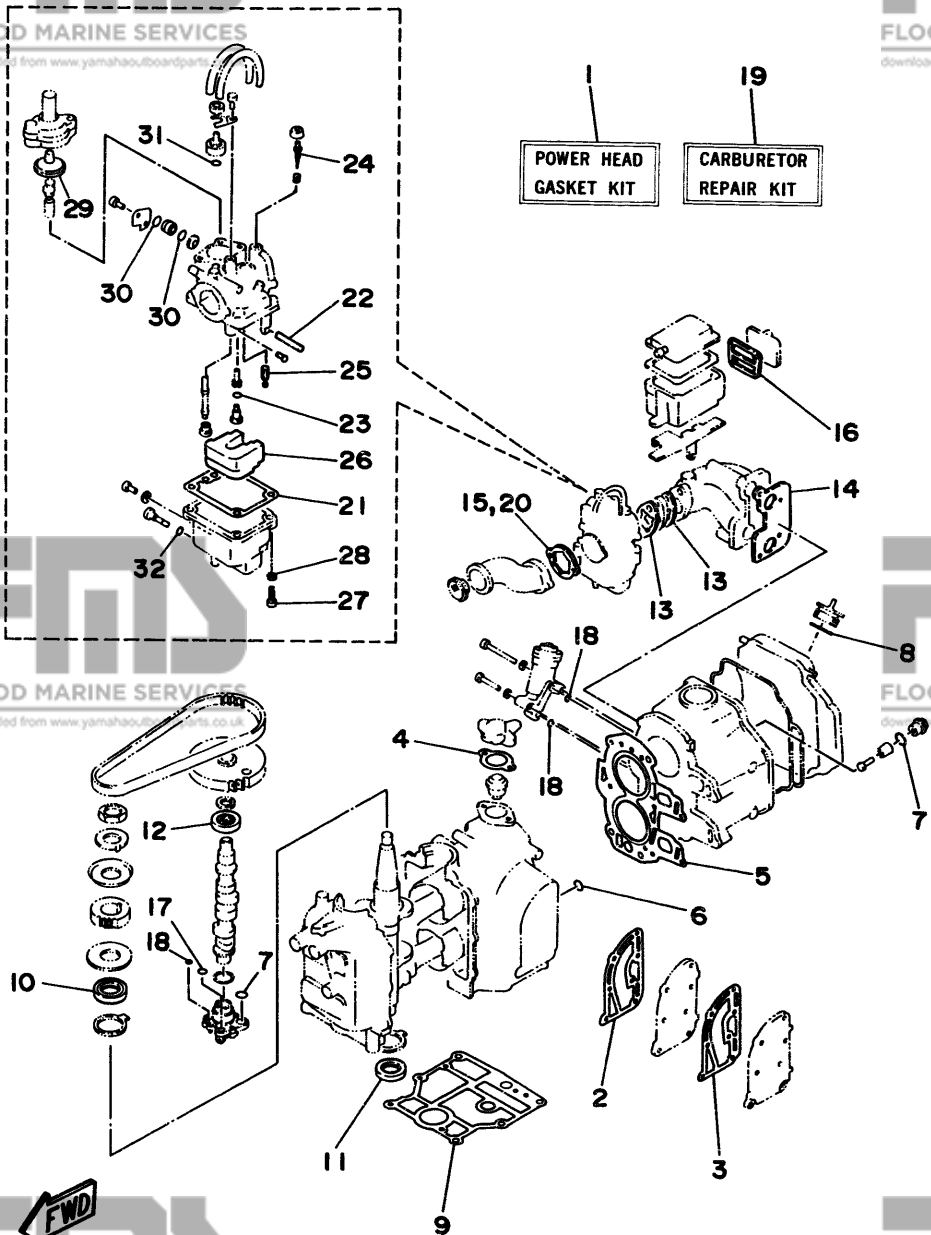
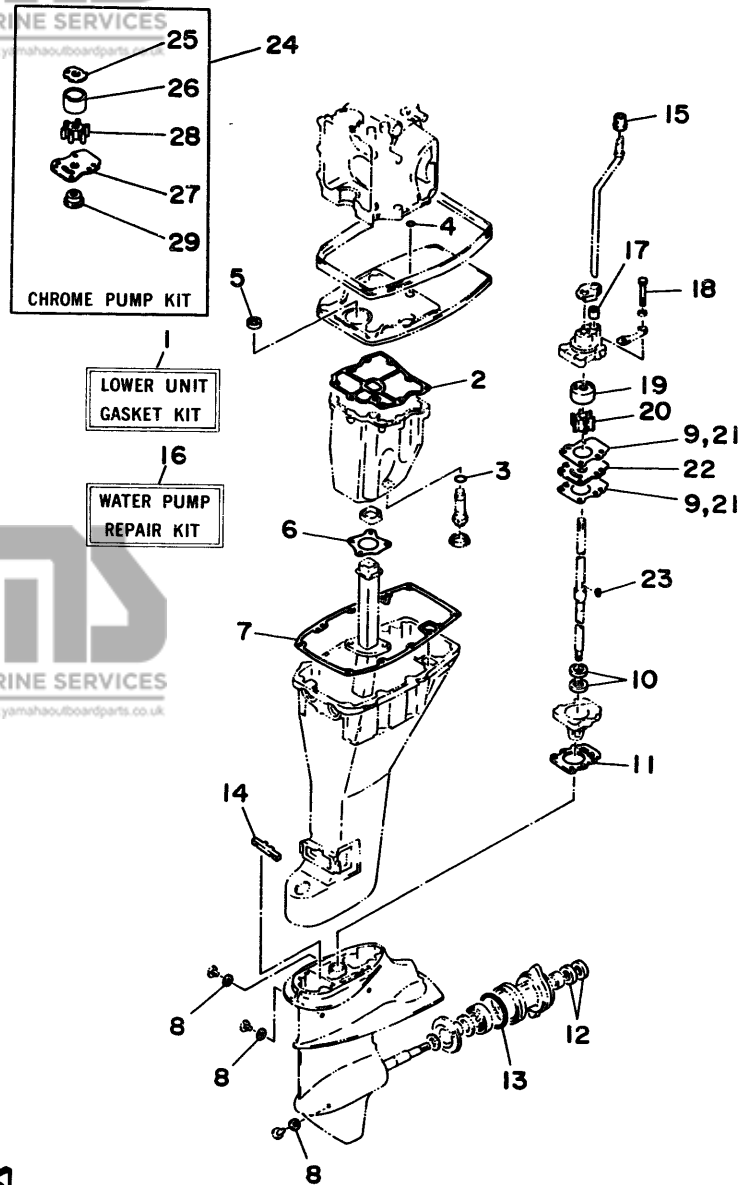


Fig. 30 REPAIR KIT 2

Ref.No.	Parts No.	Description	Q'ty	Ref.No.	Parts No.	Description	Q'ty
1	669-W0001-23	LOWER UNIT GASKET KIT	1	16	682-W0078-00	WATER PUMP REPAIR KIT	1
2	668-15312-01	.GASKET, oil pan	1	17	682-44365-00	.DAMPER, water seal	1
3	93210-16M64	.O-RING	1	18	97395-06040	.BOLT	4
4	93210-08M60	.O-RING	1	19	682-44322-00	.INSERT, cartridge	1
5	93101-13M27	.OIL SEAL	1	20	682-44352-01	.IMPELLER	1
6	668-41133-01	.GASKET, exhaust manifold 1	1	21	682-44315-00	.GASKET, water pump	2
7	668-45113-00	.GASKET, upper casing	1	22	682-44323-00	.OUTER PLATE, cartridge	1
8	90430-08020	.GASKET	3	23	90280-03024	.KEY, woodruff	1
9	682-44315-00	.GASKET, water pump	2	24	682-W0078-0A	CHROME PUMP KIT	1
10	93101-20048	.OIL SEAL	2	25	682-44321-40	.INNER PLATE, cartridge	1
11	683-45315-00	.PACKING, lower casing	1	26	682-44322-40	.INSERT, cartridge	1
12	93101-17054	.OIL SEAL	2	27	682-44323-40	.OUTER PLATE, cartridge	1
13	93210-57M09	.O-RING	1	28	682-44352-01	.IMPELLER	1
14	682-45375-01	.DAMPER, seal	1	29	682-45344-00	.COVER, oil seal	1
15	626-44365-01	.DAMPER, water seal	1				



NUMERICAL INDEX

PART NO.	REF. NO.	PART NO.	REF. NO.	PART NO.	REF. NO.	PART NO.	REF. NO.	PART NO.	REF. NO.	PART NO.	REF. NO.
6G8-W0001-02	29- 1	6G8-11635-01	2- 9	6J7-14301-02	5- 1	6J6-14493-00	16-20	6G8-15789-00	8-32	6G8-41661-00-98	16- 3
6G9-W0001-23	30- 1	6G8-11636-01	2- 9	6G8-14309-00	4-47	6G8-14997-00	5-12	663-15791-00	8-14	6G8-41662-00-98	16- 4
6G9-W0070-22	11- 9	6G8-11650-03	2- 5	6G8-14313-00	5-37	6G8-15100-03-94	1- 2	6G8-15794-00	8-22	6G8-41663-00	16- 5
682-W0078-0A	30-24	6G8-11654-00	2- 6	6G8-14318-27	5-32	6G8-15311-02-5B	7- 7	6Y1-24246-00	10- 2	6G9-42111-02-EJ	15- 1
682-W0078-00	30-16	6G8-12111-00	3- 1	6G8-14323-00	5-13	6G8-15312-01	7- 8	646-24251-02	9- 6	6G9-42112-01-EJ	15- 2
6G9-W0084-81-EJ	15-19	6G8-12113-00	3- 4		29-24		30- 2	6Y1-24256-80	10- 9	6G8-42119-00	15-10
6J7-W0084-81-EJ	15-19	6G8-12116-00	3- 3	647-14334-00	5-11	6G8-15316-00	7-13	6Y1-24257-00	10- 3	6G8-42126-01-94	15- 4
6G8-W0090-07-EJ	1- 1	6G8-12117-00	3- 5	6G8-14341-00	5- 9	6G8-15346-00	4-25	6Y1-24268-00	10- 6	6G8-42137-01	15-11
6G8-W0093-00	29-19	6G8-12117-10	3- 7	6J6-14341-00	5- 9	6G8-15347-00	4-26	6Y4-24275-80	10- 5	6J6-42137-00	15-11
6Y4-W2420-80-24	10- 1	30X-12118-00	3- 6	6G8-14342-19	5- 5	6G8-15358-00	4-19	6G1-24304-02	9- 1	6G8-42177-00	15-13
676-W2810-00	10-18	5Y1-12119-00	3- 9	6G8-14342-21	5- 5	6G8-15362-03	7-17	6G1-24305-00	10-11	6G9-42511-01-EJ	13-26
6G8-W4261-00	12-28	6G8-12121-01	3- 2	648-14343-46	5- 8	6G8-15363-00	1-46	6Y4-24306-80	10-10	6G8-42521-10-94	13-31
6G8-W4261-10	24-16	6G8-12146-00	3-13	648-14343-47	5- 8	6G8-15368-00-94	4-21	6G8-24311-00	9- 5	6G9-42521-00-94	13-31
	25-38	6G8-12151-00	3-10	6A4-14344-31	5-33	6G8-15369-00	4-22	6G8-24329-00	9- 2	6G8-42528-00	13-21
683-W4591-01-EL	19-15	6G8-12153-00	3- 8	6G8-14345-00	5- 7	6G8-15371-00-94	4-24	6Y1-24329-00	10- 8	6G8-42534-00	13-27
683-W4592-01-EL	19-15	6G8-12158-00	3-12	6G8-14346-01	5-17	6G8-15373-00	1-37	650-24351-01	10-13	6G8-42537-00	13-33
6G8-11111-02-94	1-22	6G8-12159-00	3-11	6G8-14346-10	5-48	6G8-15374-00	4-29		10-17	6G8-42551-00	25-40
6G8-11133-10	1-23	6G8-12171-00	6-11	44J-14349-00	5-41		29-16	6Y1-24360-02	10-15	6G9-42610-23-EJ	11- 1
6G8-11181-00	1-33	6G8-12411-02	1-15	6G8-14355-00	5-25	6G8-15376-00	4-35	6E5-24377-00	1-17	6J7-42610-23-EJ	11- 1
	29- 5	6G8-12413-00-94	1-16	14T-14367-00	5-29	6G8-15379-00	7- 3		17- 2	6G8-42613-00-EJ	11- 6
6G8-11191-01-94	1-35	6G8-12414-00	1-18	6G8-14368-00	5-26	6G8-15393-00	4-32	6E0-24378-00	4-48	6G8-42615-00	11- 2
6G8-11197-00	1-44		29- 4	33A-14369-00	5-30	6G8-15710-10	8- 1	6G8-24410-01	9- 9	6G8-42628-01	11-11
6G8-11325-00	1-42	6G8-12481-00	1-27		29-29	6G8-15711-00	8- 2	6G8-24411-01	9-11	6G8-42629-01	12-30
6G8-11326-00	4-39	6G8-12482-00	12- 9	6G8-14371-00	5-31	6G8-15712-00	8-30	6G8-24421-00	9-10	6G8-42651-00	11- 3
6G8-11351-00	1- 6	6G8-13300-02	6-13	6G8-14373-00	5-27	6G8-15713-00	8- 4	6Y1-24610-12	10- 4	6G8-42652-00	11- 4
	29- 9	6G8-13421-00	7-12	6G8-14374-00	5-28	6G8-15714-00	8- 3	6G8-26363-00	16-10	6G8-42677-00	12-29
6G8-11355-00	17-29	6G8-13440-00	6-21	6G8-14377-00	5-38	6G8-15715-00	8- 7		25-45	6G8-42677-10	24-17
6G8-11356-00	1-39	6G8-13442-00-94	6-20	6G8-14381-00	5- 3	6G8-15716-00	8-27		26-14	6G8-42677-20	25-39
6G8-11370-00	4- 7	6G8-13471-00	7-15	6G8-14383-00	5-40	6G8-15719-00	8- 5	6G8-26364-00	16-11	6G9-42678-22	11-10
6G8-11372-01	1-26	6G8-13487-00	7- 4	6G8-14384-00	5- 2	6G8-15723-00	8- 6		25-46	6J7-42678-22	11-10
676-11372-00	1-25	6G8-13641-00-94	4- 6		29-21	6G8-15726-00	8-21		26-15	6G8-42711-01-EJ	12- 1
	1-38	6G8-13645-00	4- 8	6G8-14385-00	5-15	6G8-15727-00	8- 9	6G8-41111-02-9M	1- 7	6G8-42716-00	17-10
6G8-11395-00	4-40		29-14		29-26	6G8-15734-00	8-25	6G8-41112-02	1- 8	6G8-42719-00-EJ	12-23
6G8-11411-04	2- 1	6G8-13646-00	4- 1	647-14386-00	5- 4	6G8-15739-00	8-17		29- 2	6G8-42724-00	12- 7
6G8-11416-00	2- 4		29-13		29-22	6G8-15742-00	8-33	6G8-41113-01-9M	1-10	6G8-42724-40	24-15
6G8-11416-10	2- 4	6G8-13647-00	4- 5	6G8-14392-00	5-14	6G8-15746-00	8-23	6G8-41114-00	1- 9	6G8-42724-50	25-22
6G8-11416-20	2- 4	6G8-14197-00	5-16		29-25	6G8-15747-00	8-26		29- 3	6G9-42724-00	12- 7
6G8-11426-00	2- 8	6G8-14198-00	4-16	14T-14396-00	5-44	6F5-15752-00	8-12	6G8-41131-01	17-11	6G8-42727-00	12-10
6G8-11536-00-94	6- 2		29-15	1J2-14397-00	5-35	663-15753-00	8-13	6G8-41133-01	17-14	6G8-42738-00-94	12-22
6G8-11537-00-94	6- 6		29-20		29-30	6G8-15754-00	8- 8		30- 6	6G8-42741-00-EJ	17-24
6G8-11557-00	6- 3	654-14198-00	5- 6	5H0-14397-00	5-36	6G1-15755-00	8-34	6G8-41137-02-94	17- 1	6G8-42748-00	12-19
6G8-11575-00	7- 1		29-23		29-31	6G8-15767-00	8-24	6G8-41138-00	17-12	6G8-42752-00	20-21
6G8-11587-00	6- 5	646-14212-01	5-22	5Y1-14397-00	5-39	6G8-15768-00	8-10	6G8-41212-00	16-12	6G8-42755-00	12-31
6G8-11610-01	2-10	654-14216-00	5-10		29-32	6G8-15770-00	8-38	6G8-41237-01	16-18	6G8-42771-00-EJ	17-26
6G8-11610-11	2-10	650-14227-01	5-46	6G8-14399-00	4-38	6G8-15771-00	8-39	6G8-41238-01	16-15	6G8-42791-00	17-25
6G8-11610-21	2-10	6G8-14271-00	5-43	6G8-14478-00	4-15	6G8-15772-00	8-42	6G8-41241-01	16-16	6G8-42792-00	17-27
6G8-11631-01-97	2- 9	6G8-14272-00	5-34	6G8-14479-01-94	4-14	6G8-15779-00	8-31	6G8-41242-01	16-19	6G8-42811-00-94	12-13
634-11633-00	2-11	6G9-14301-01	5- 1	6G8-14493-00	16-20	689-15779-01	8-35	6G8-41654-00	16- 8	6G8-42815-00	12-11

NUMERICAL INDEX

downloaded from www.yamahauk.com

downloaded from www.yamahauk.com

PART NO.	REF. NO.
6G8-42831-00	12-12
6G8-43111-02-EJ	13- 1
6G8-43112-03-EJ	13- 2
6A1-43113-01	13-17
648-43114-01	13- 6
616-43118-00-EJ	13- 3
6G8-43136-00	13-15
6G8-43160-01	14- 5
6G8-43181-00	13- 7
6G8-43311-13-EJ	13-18
6G9-43311-02-EJ	13-18
682-43318-01	13- 8
	14-22
682-43339-01	13-13
6G8-43373-00	13-24
682-43611-01	14-15
682-43614-00	14-13
682-43615-01	14-14
682-43616-00	14- 8
6G8-43617-00	14-12
6G8-43631-01	14- 6
682-43641-00	14- 9
6G9-43643-00	14-21
682-43659-00	14-17
6G9-43681-00	14-20
6G8-44111-00	16-21
6G9-44111-00-98	16-22
682-44116-00	16-29
682-44117-00	16-30
6G8-44125-00	8-43
	24-18
	25-37
682-44132-00	16-26
6G8-44141-00	16-27
6G8-44143-10	16-32
6G9-44143-00	16-32
682-44147-00	18-56
6G9-44150-00	18-55
6G9-44150-10	18-55
6G8-44159-00	16-25
682-44176-00	18-57
6E0-44191-11	11-12
682-44300-01	18-14
682-44312-00	18-15
682-44315-00	18-21
	30- 9
	30-21
682-44321-40	30-25

PART NO.	REF. NO.
682-44322-00	18-18
	30-19
682-44322-40	30-26
682-44323-00	18-22
	30-22
682-44323-40	30-27
682-44328-00	18-30
682-44352-01	18-19
	30-20
6G8-44361-10	19-10
6G9-44361-00	19-10
683-44362-01	18- 4
626-44365-01	19-11
	30-15
682-44365-00	18-17
	30-17
683-44365-01	18- 5
6E7-44366-00	18- 8
6G8-44367-00	17- 4
6G8-44373-00	18- 6
6G8-44391-00	12- 8
6G8-44517-00-94	13-37
6G8-44518-00	13-47
6G8-44521-00	13-50
6G8-44522-00	13-45
6G8-44526-00	13-38
6G8-44532-00	13-51
6G8-44533-00	13-48
6G8-44551-01-EJ	13-52
6G8-44552-02-EJ	13-53
682-44555-00	13-60
6G8-44557-00	13-59
6G8-45111-11-EJ	17-15
6G9-45111-01-EJ	17-15
6G8-45113-00	17-20
	30- 7
663-45119-00	13-20
6G8-45127-00	7- 9
6G8-45135-00	17- 9
6G8-45151-00	17-19
6E7-45214-00	19- 7
6E8-45251-01	19- 4
6G9-45300-03-EJ	18- 1
6G9-45300-13-EJ	18- 1
6E7-45311-03-EJ	18- 2
683-45315-00	18-26
	30-11

PART NO.	REF. NO.
626-45316-09	18-24
6E7-45331-00-5B	18-23
682-45344-00	30-29
683-45361-00-EJ	18-48
682-45375-01	19- 9
	30-14
682-45376-01	18-11
6G9-45501-00	18-32
6G9-45501-10	18-32
6E7-45536-00	18-31
6E7-45551-00	18-33
6E7-45560-00	18-37
664-45567-01-10	18-38
664-45567-01-12	18-38
664-45567-01-15	18-38
664-45567-01-18	18-38
664-45567-01-30	18-38
664-45567-01-40	18-38
664-45567-01-50	18-38
6E7-45571-00	18-39
626-45577-00-01	18-41
626-45577-00-03	18-41
626-45577-00-05	18-41
6E7-45587-01-10	18-34
6E7-45587-01-12	18-34
6E7-45587-01-15	18-34
6E7-45587-01-18	18-34
6E7-45587-01-30	18-34
6E7-45587-01-40	18-34
6E7-45587-01-50	18-34
683-45611-00	18-42
6E7-45616-00	19-16
682-45631-00	18-44
648-45633-00	18-46
650-45635-00	18-43
683-45941-00-EL	19-14
683-45943-00-EL	19-14
683-45945-00-EL	19-14
683-45947-00-EL	19-14
683-45949-00-EL	19-14
683-45952-00-EL	19-14
6E8-45987-01	19-18
6G8-46241-00	6- 1
701-48101-10	26- 1
	27- 1
701-48126-00	27-41
701-48152-11	27-13
701-48153-12	27-34

PART NO.	REF. NO.
701-48189-11	27-32
701-48196-11	27- 7
701-48197-10	27- 3
701-48198-10	27-15
701-48213-00	27-19
701-48221-00	27- 6
701-48222-00	27-27
701-48229-00	27-26
701-48232-00	27-31
701-48234-00	27- 5
701-48235-00	27- 2
701-48236-00	27- 8
702-48237-00	27- 9
702-48238-00	27-10
701-48239-00	27-29
701-48243-00	27-14
701-48246-00	27-24
701-48248-00	27-12
701-48249-00	27-11
701-48252-00	27- 4
701-48255-00	27-21
701-48261-00	27-38
701-48266-00	27-30
701-48268-00	27-18
701-48271-00	27-35
701-48280-00	27-46
701-48281-00	27-16
701-48282-00	27-28
701-48283-00	27-42
701-48287-00	27-44
702-48288-00	27-23
701-48289-00	27-17
701-48310-10	26- 2
701-48310-20	26- 2
701-48310-40	26- 2
701-48310-60	26- 2
701-48310-80	26- 2
701-48310-90	26- 2
6G9-48311-02	16- 1
6J7-48311-02	16- 1
701-48320-00	26- 2
701-48320-20	26- 2
701-48320-30	26- 2
701-48320-40	26- 2
701-48320-50	26- 2
701-48320-60	26- 2
701-48320-70	26- 2
701-48320-80	26- 2

PART NO.	REF. NO.
701-48320-90	26- 2
703-48345-01	27-37
701-48350-00	26- 2
701-48350-10	26- 2
701-48350-20	26- 2
6G8-48351-51	25-44
	26-13
701-48358-00	27-39
6G8-48501-03	26- 3
6G8-48511-00	26-16
6G8-48511-10	26-19
6G8-48531-51	26- 4
6G8-48532-50	26- 5
6G8-48538-50	26- 6
6G8-48565-50	26-10
6G9-81303-F0	20- 6
	23- 6
6G8-81323-00	20-22
445-81328-20	20-13
	23-13
6G8-81336-00	1-36
6G8-81337-00	20-20
6G8-81800-10	22- 1
689-81807-12	22-11
689-81809-11	22- 3
689-81810-11	22- 4
689-81811-11	22- 6
689-81812-11	22- 8
689-81813-10	22- 9
689-81820-11	22-10
6G8-81822-40-94	22-19
689-81826-10	22-14
6F5-81830-11	22-13
689-81840-11	22- 7
689-81847-11	22- 5
689-81850-11	22- 2
689-81857-11	22-12
6G8-81870-00	24- 6
6G8-81916-00	21-13
6J0-81941-10	24- 1
	25- 7
6G8-81948-01	21-24
	24-22
	25- 4
6G9-81948-00	21-23
6G1-81952-00	24- 2
	25- 8
6G8-81953-00	24- 3

PART NO.	REF. NO.
6G8-81953-00	25- 9
6G8-81960-A1	24-19
	25- 1
6J8-81960-00	21-22
6G8-82105-00	24- 7
	25-21
6J8-82105-10	21-32
6G8-82117-00	24- 8
	25-12
6G8-82127-00	21-17
6E5-82149-00	17-16
6G8-82150-00	24- 9
	25-13
682-82151-00	24-10
	25-14
6G8-82370-20	21- 8
6G8-82504-00	21-16
6G8-82510-00	25-30
6G8-82522-00	21-15
6H3-82540-00	24-11
	25-15
689-82550-11	28- 1
701-82550-50	27-40
6A0-82553-20	28- 2
	28- 5
689-82553-10	28- 6
6G8-82554-00	24-12
	25-16
682-82556-00	21-20
	25-27
	28- 4
6G8-82570-02	25-24
6G8-82571-01	25-25
6G9-82575-00	21-19
688-82575-01	25-26
689-82575-12	28- 3
6G8-82580-00	25-19
663-82581-01	25-28
688-82586-50	25-23
6G8-82590-00	25-20
701-82594-00	27-43
6G8-83582-01	21-18
	25-29
682-84381-00	12-33
6G8-85520-00	20- 3
	23- 3
6G8-85525-00	21-12
6G9-85540-20	21- 1

downloaded from www.yamahauk.com

downloaded from www.yamahauk.com

downloaded from www.yamahauk.com

downloaded from www.yamahauk.com

downloaded from www.yamahauk.com

downloaded from www.yamahauk.com

NUMERICAL INDEX

PART NO.	REF. NO.	PART NO.	REF. NO.	PART NO.	REF. NO.	PART NO.	REF. NO.	PART NO.	REF. NO.	PART NO.	REF. NO.
6G8-85542-00	21- 9	90206-08M13	12-18	90465-08028	4-50	92990-06100	7-11	92990-06600	25- 6	93210-57M09	30-13
6G8-85550-J0	20- 1	90206-10M15	13-12	90467-08004	9- 8		8-16		25-11	93306-00501	18-49
6G8-85550-K0	23- 1	90206-20M14	15-15		9-20		9-16		25-18	93315-314V8	18-13
6G9-85560-F0	20- 2	90209-45M09	13-32	90480-09M35	12- 2	92990-06200	8-28		25-43	93315-317U2	18-50
	23- 2	90243-04M00	13- 4	90480-13M24	21-28		11- 8		26- 8	93332-00005	18-12
6G8-85570-20	21- 4	90249-06M20	14-10	90480-15M31	20-23	92990-06300	27-25		26-18	93341-214U1	18-35
6G8-85580-00	20- 9	90250-05010	18-45	90480-19031	12-24	92990-06600	1-12		26-21	93430-04M03	25-42
	23- 9	90266-04M04	11- 5	90480-25161	21- 5		1-14	92990-08600	8-37		26-12
90101-08M06	13-14	90269-02M09	15-12	90501-12M40	3-15		1-20		13-42	93430-06024	27-36
90101-08M88	13-61	90280-03M01	6- 7	90501-12M41	3-16		1-32		13-62	93450-09M01	1-24
90105-06M33	7-14	90280-03024	18-20	90501-14M06	18-47		1-41		17-23	93450-15023	2-12
	17-13		30-23	90501-18M00	13-22		4- 4		19- 3	93604-08062	18- 3
90105-08M36	1-29	90280-05013	20-25	90501-23M42	15- 5		4-11		22-16	93605-15065	13-28
90105-08M37	1-28	90340-08M04	18- 9	90506-26M01	14-19		4-13		22-18	93606-12019	17- 6
90109-06M25	13- 9	90386-08M49	12-15	90506-26M07	14-19		4-42	93101-13M27	17- 5		17-21
90116-06M15	4- 9	90386-33M56	15-14	90508-12M18	14- 7		6-19		30- 5		18-27
90116-06M26	4- 2	90386-37M47	13-34	90890-44373	8-18		6-24	93101-17054	18-51		19- 1
	5-42	90386-37M48	13-36	91490-12012	8-29		6-26		30-12	93700-06004	13-19
90116-08M28	13-43	90387-06M09	14- 1	91490-16010	12-32		8-41	93101-20048	18-25	94701-00282	1-48
90119-06M12	1- 5	90387-06M15	12- 5		16-37		9- 4		30-10	94701-00300	1-48
90119-08M18	1- 4	90387-06M20	14-16	91490-25020	16-28		9-17	93101-25M24	2- 3	95303-04600	16-17
90149-05M05	25-33	90387-06M58	16-14	91490-30020	19-13		12-21		29-11	95303-05600	25-34
90149-14030	13- 5	90387-06M70	21-27	91490-30025	19-13		12-27	93102-18M21	6-12	95303-06700	11- 7
90157-06M04	17-28	90387-06M71	20-24	91790-05020	16-35		13-11		29-12		21-29
90159-05M06	16- 9	90387-06M72	12-17	92580-06020	5-18		13-30	93102-30M22	2- 2	95303-08700	8-11
90159-06M05	4-20	90387-06M73	25-41		20-17		13-40		29-10	95380-06600	27-45
90170-06015	16-33		26-11	92780-06025	27-20		13-55	93210-08M60	17- 3	95380-06700	4- 3
90170-12066	20-26	90387-13M56	3-14	92901-05600	7- 6		13-57		30- 4		4-12
90170-24M09	6- 4	90430-08020	18-10	92903-04100	5-24		14- 4	93210-08287	10-12		13-58
90171-10M01	19-12		30- 8		25-32		14-24	93210-09M01	6-16		14- 3
90179-08M06	18-36	90445-05ME6	12-25		29-28		16- 7		6-22		15- 9
90185-20M03	15-17	90445-08MF4	4-44	92990-04200	4-28		17- 8		29-18		16-34
90201-06M00	2- 7	90445-08MF5	4-43		9-14		17-18	93210-09M56	6-14	95680-06100	13-10
90201-06M31	12- 6	90445-08MF6	4-46		16-24		18-29	93210-10M61	6-15	95780-08300	13-16
	12-16	90445-08MF7	4-45	92990-05100	8-20		18-54		29-17		13-49
	13-23	90445-09M75	9-19		20- 5		19- 6	93210-11M59	1-34		13-63
90201-06M94	6-10	90445-09065	4-34		20- 8		20-16		29- 6	97013-06012	4-41
90201-06049	15- 7		9- 7		20-11		20-18	93210-12M62	7- 2		8-40
90201-08MA4	13-64	90445-11M05	10-14		23- 5		21- 3	93210-13M63	1-45		16-31
90201-08M12	13-44	90445-11M06	10-16		23- 8		21- 7		6-17		24- 4
90201-10M01	19-19	90445-11M52	4-33		23-11		21-11		29- 7		24-13
90201-10M02	19-17	90445-11M66	1-21		25-35		21-26	93210-16M64	7-16		25-10
90201-12472	20-27	90445-24M00	16- 2	92990-05600	4-18		21-31		30- 3		25-17
90201-13201	6- 8	90446-10M02	21-21		16-36		24- 5	93210-20M65	9-18	97013-06035	1-31
90201-17682	18-40	90460-38M06	13-46		20-12		24-14	93210-24M79	1-47	97013-08025	22-15
90201-20M00	15-16	90461-06M01	4-49		23-12		24-21		29- 9	97090-08035	19- 2
90202-06007	15- 8	90465-08M23	4-37		25-36		24-24	93210-37M67	13-35	97312-05012	8-19
90202-20M33	15-18	90465-08028	4-36	92990-06100	5-19		25- 3	93210-57M09	18-52	97313-06010	7-10

downloaded from www.yamahaoutboardparts.co.uk

PART NO.	REF. NO.	PART NO.	REF. NO.
97313-06016	6- 9	97395-08030	13-41
	12-14	97395-08040	17-22
	21-30	97780-40112	4-23
	24-20		4-27
	24-23		4-30
97313-06020	25- 2		18-16
	25- 5	97780-50510	18-58
	1-19	97890-04005	5-45
	1-40	97890-06030	15- 6
	17- 7	98501-05012	7- 5
97313-06025	21- 6	98503-04014	5-21
	21-10		9-13
	1-11		16-23
	6-18	98503-05025	20- 4
	21- 2		20- 7
97313-06030	21-25		23- 4
	1-13		23- 7
	6-25	98580-04008	5-20
	12- 3		20-14
	16-13		23-14
97313-06040	12- 4	98580-04010	4-31
97313-06050	6-23	98580-04016	5-23
97313-08030	8-36		29-27
97315-06025	8-15	98580-05010	27-33
97315-06030	13-29	98580-05012	19- 8
97395-06008	14-23		20-10
97395-06010	18- 7		23-10
97395-06012	13-39	98580-05016	4-17
97395-06016	17-17	98580-05525	1-43
	26- 9	98580-06025	9-15
	12-20		20-15
	12-26	98586-05016	10- 7
	16- 6	98703-04008	5-47
97395-06018	19- 5	98780-03008	9-12
	26-17	98780-05016	15- 3
	26-20	98980-04008	25-31
	27-22	98980-06008	21-14
	9- 3	99080-05600	14-11
97395-06020	18-53		14-18
97395-06025	13-25	99510-08012	20-19
97395-06030	26- 7	99510-10114	1- 3
97395-06040	18-28		1-30
	30-18		
	4-10		
97395-06045	13-54		
97395-06095	13-56		
97395-06135	14- 2		
97395-08016	22-17		

downloaded from www.yamahaoutboardparts.co.uk

downloaded from www.yamahaoutboardparts.co.uk

NUMERICAL INDEX

downloaded from www.yamahaoutboardparts.co.uk

downloaded from www.yamahaoutboardparts.co.uk

downloaded from www.yamahaoutboardparts.co.uk

downloaded from www.yamahaoutboardparts.co.uk

downloaded from www.yamahaoutboardparts.co.uk

downloaded from www.yamahaoutboardparts.co.uk